

**HIGH PERFORMANCE ANTISLIP ANTIWEAR
CAST METAL STAIR NOSING**

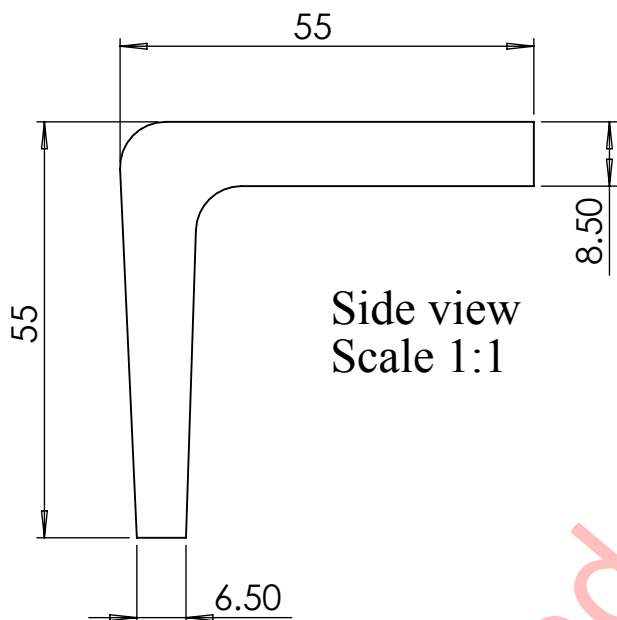
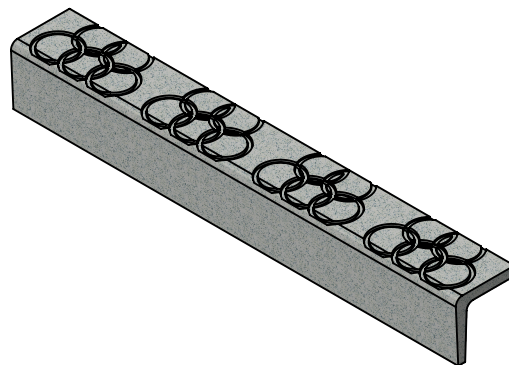


DATA SHEET: SN9/55CG®	
DATE: Oct 2013	ISSUE: 2
ITEM: Stair Nosing	

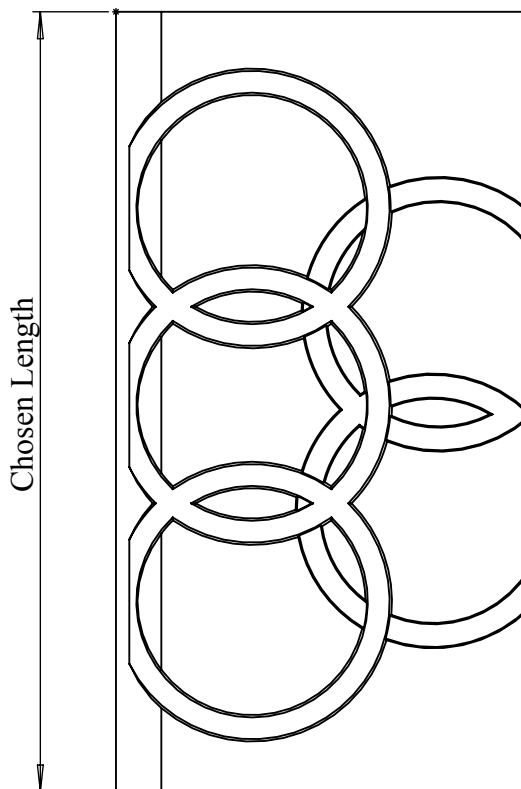
Item: AATi™ type SN9/55CG® - HDLT™ stair nosing with silicon carbide granules cast into the metal matrix of the wearing surface.

Application: This modified version of the standard SN9/55 nosing, incorporates a circular grooved pattern on the wearing surface, to resemble the Olympic 5 ring logo. Whilst specifically designed around the physical requirements of the DDA, this stair nosing is suitable for many different applications and exhibits the same longevity and hard wearing/heavy duty characteristics as our larger profile nosings.

Materials: Nickel Bronze, Gunmetal, Aluminium & Cast Iron.



Plan view scale 1:1



Special attention should be given to installation & drainage of this product. For further advice please speak to a member of AATi's technical department.
Dimensions shown are nominal and subject to AATi manufacturing tolerances.