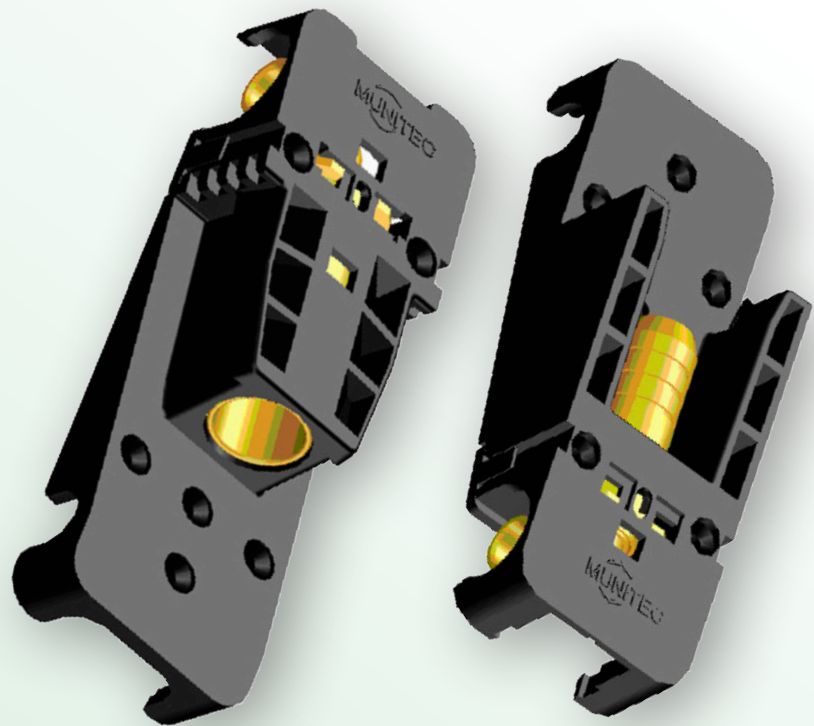


für bessere Lösungen...

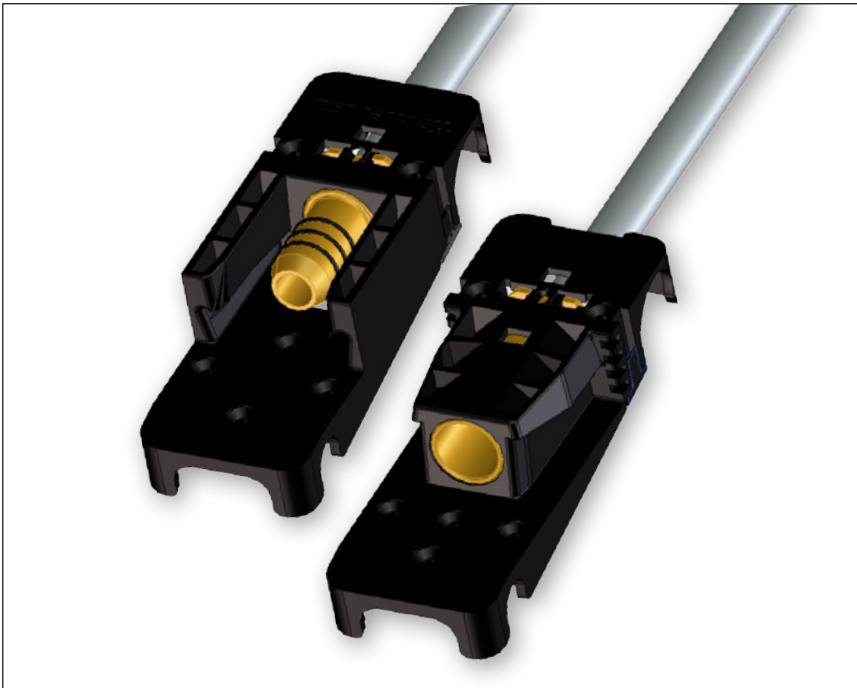


AQUACON

The water system connector



AQUACON - the tight connection for pipework installations



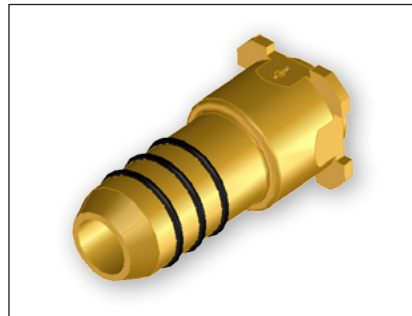
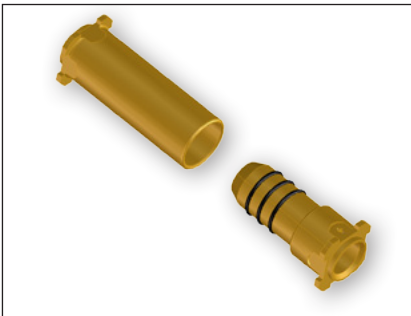
The AQUACON connector is an extension of the UNICON® connector system, and it is designed for heating and domestic water installations.

The brass plug-in connections, which are resistant to dezincification, are equipped with a seal with three O-rings, which gives them the highest level of sealing security.

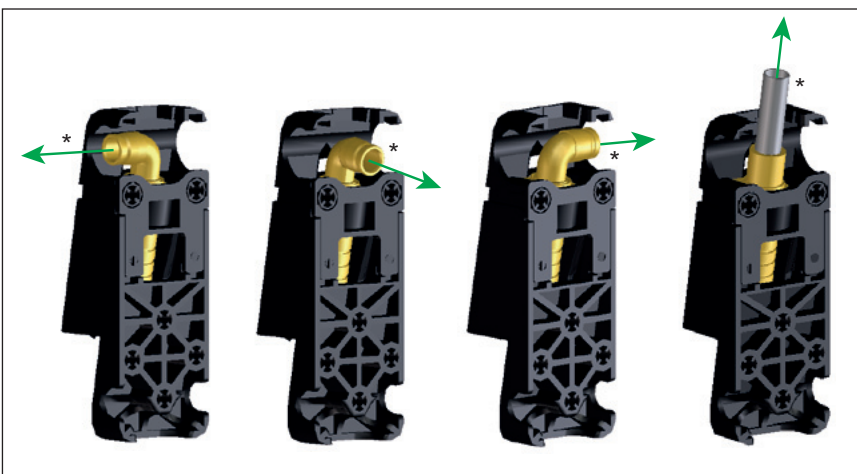
Thanks to the 1/2" internal-thread connection, all piping systems up to 20 mm diameter can be fitted irrespective of the manufacturer.

Technical data

- 1/2" internal-thread connection
- can be used with pipe systems from all manufacturers
- seal with three O-rings
- Material: brass which is resistant to dezincification



Application



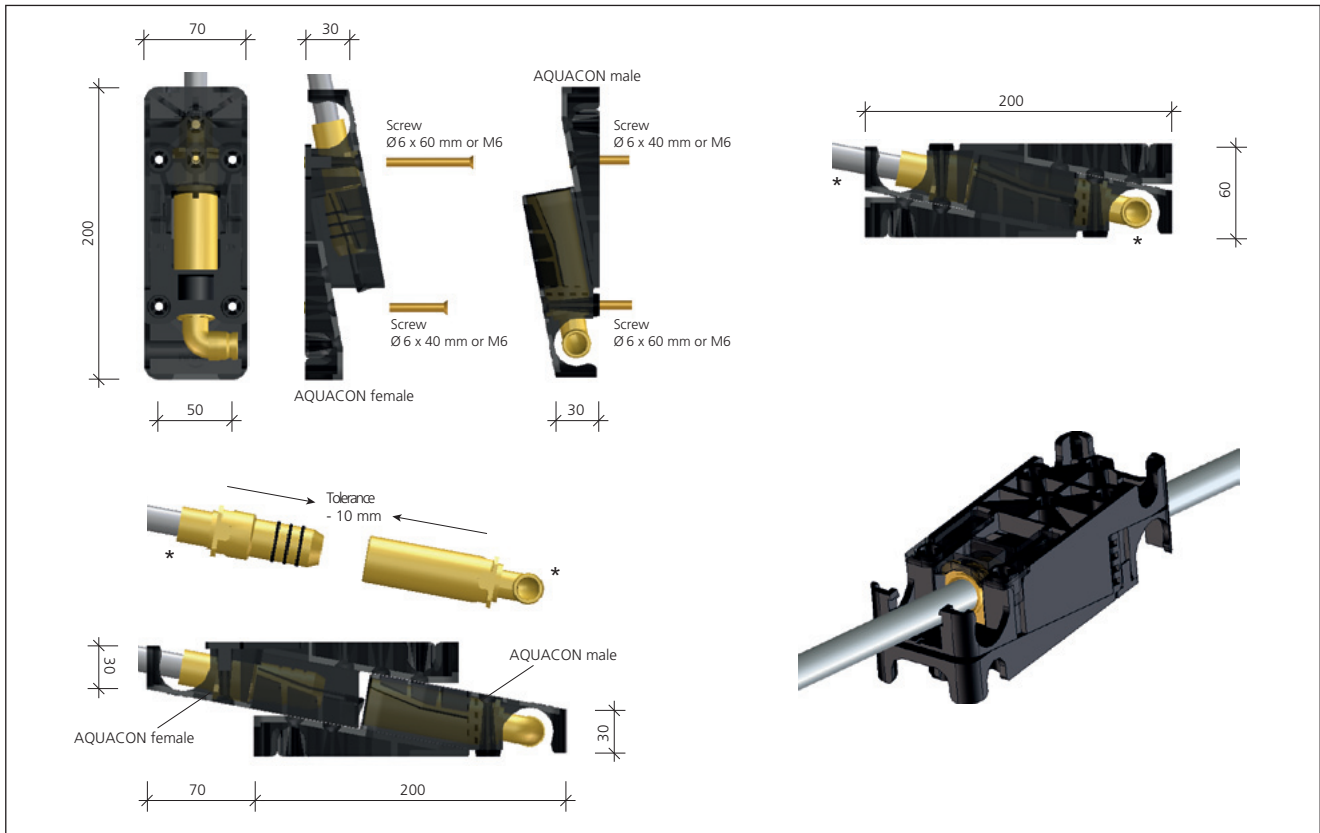
All 1/2" internal-thread connections from a wide range of pipe system manufacturers can be fitted in the AQUACON plug-in connectors.

Here is a selection of suitable systems:

- Geberit Mepla
- REHAU RAUTITAN
- iFIT Georg Fischer
- and many more...

* The plug-in connections are not included in the delivery and they are only used as an illustrative example of the possible connections.

AQUACON



* The plug-in connections are not included in the delivery and they are only used as an illustrative example of the possible connections.