

Bloomsbury

Outdoor Furniture

The Bloomsbury benches are a top of the range Teak heavy duty park, street and landscape range. The Bloomsbury models use only the highest grades of kiln dried teak and use heavier sections of timber where appropriate. During the manufacturing process a further selection is undertaken to ensure that only Teak of the very best quality is used in the manufacture.



BL/8 - 240cm



BL/6 - 180cm



BL/8 - 240cm

Genuine Teak (*Tectona Grandis*) is the premier timber for outdoor furniture. Teak combines its beautiful appearance with a strength and durability that is unequalled by any other timber. Teak has a close grain and a naturally high oil content that makes it both stable and resistant to rot.

Inscriptions

BRANSON LEISURE FURNITURE



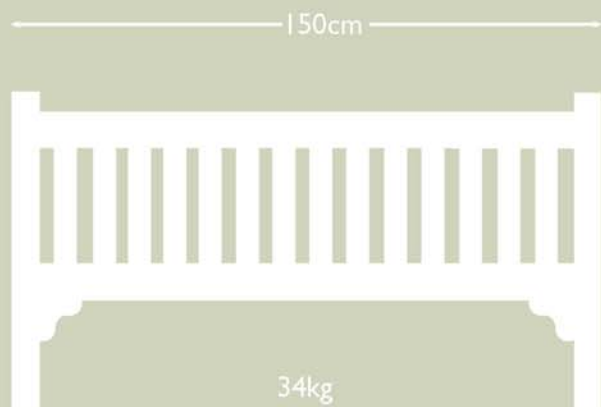
Either machine carved inscriptions or plaques in lacquered brass or stainless steel will enhance our full range of seating.

This may simply denote ownership or make the seats ideal for presentation and commemorative purposes.

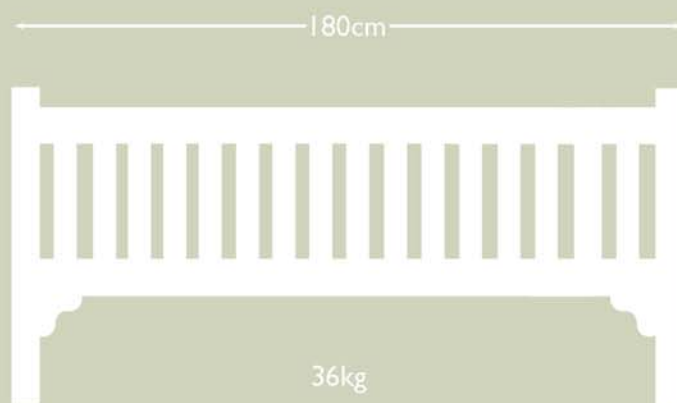
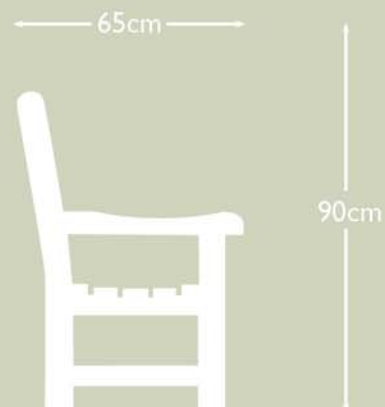
BRANSON
leisure

Bloomsbury

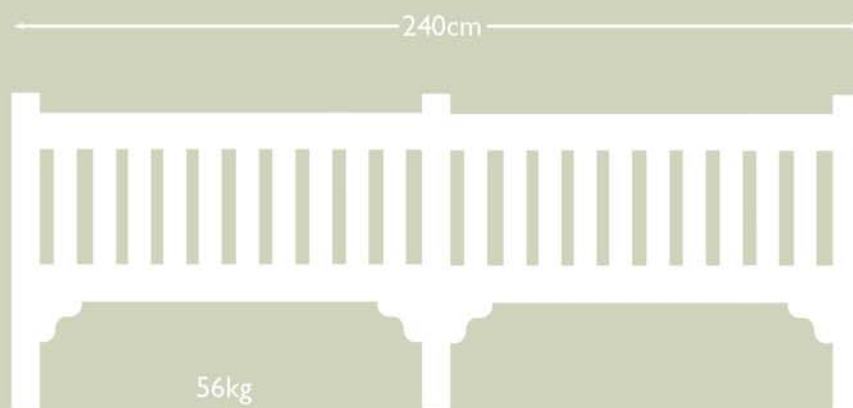
Dimensions



BL/5 - 150cm



BL/6 - 180cm



BL/8 - 240cm

Greenwich

Outdoor Furniture

The Greenwich is a new range heavy duty park seat. This seat has Horizontal back rails with vertical tie rail. The Greenwich is a robust modern, stylish bench, suitable for all locations.

These benches are manufactured in our Essex workshops, using traditional techniques. Major joints are mortised and tenoned and dowels are used extensively. By a careful "dry" method of construction i.e. the minimal use of adhesive. It is simple to repair or refurbish the furniture should damage occur.



BGH1018 - 1.8m



BGH1095 - 1.95m

The Greenwich range is made from Iroko (*Chlorophora excelsa*) that is sourced from West Africa. This is a highly durable hardwood with an attractive grain that will withstand our weather all year round

The timber remains in its natural form with principal end grain waxed.

We are particularly careful to buy our timber from countries belonging to the International Tropical Timber Organisation, all of which have accepted ITTO guidelines for the sustainable production of tropical timber.

By purchasing our products it ensures that the timber resource retains an economic value, thus providing an incentive to replant, manage and protect for the future.

BRANSON
leisure

Inscriptions

BRANSON LEISURE FURNITURE

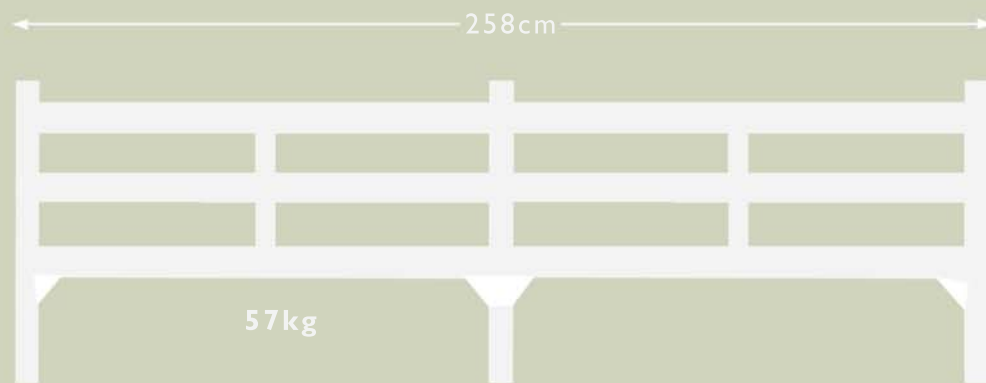
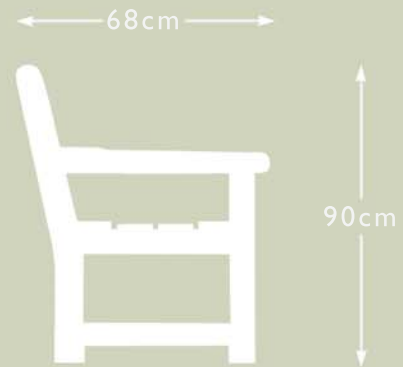
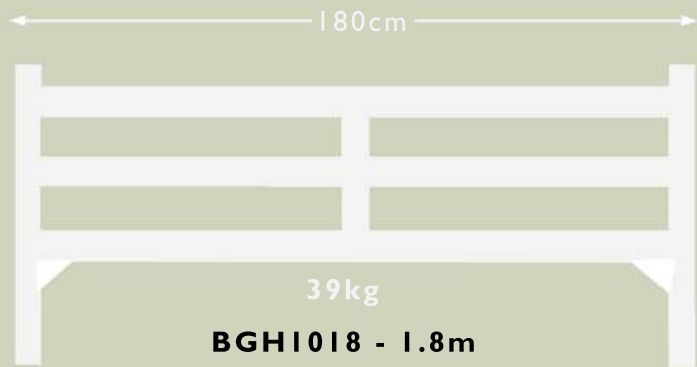


Either machine carved inscriptions or plaques in lacquered brass or stainless steel will enhance our full range of seating.

This may simply denote ownership or make the seats ideal for presentation and commemorative purposes.

Greenwich

Dimensions



X Frame Picnic Suite

Outdoor Furniture

The X Frame suite is a heavy duty picnic suite ideal for restaurants, parks and all outdoor environments

The robustly constructed interlocking cross-framed design gives total stability. Extra depth seats provide added comfort. Centre parasol aperture can be provided if required.



PBX8 - 1.8m



The Picnic Suite is made from Iroko (*Chlorophora excelsa*) that is sourced from West Africa. This is a highly durable hardwood with an attractive grain that will withstand our weather all year round

Bench (left) has been treated with 2 coats of microporous Teak water repellent.

We are particularly careful to buy our timber from countries belonging to the International Tropical Timber Organisation, all of which have accepted ITTO guidelines for the sustainable production of tropical timber.

By purchasing our products it ensures that the timber resource retains an economic value, thus providing an incentive to replant, manage and protect for the future.

BRANSON
leisure

Inscriptions

BRANSON LEISURE FURNITURE



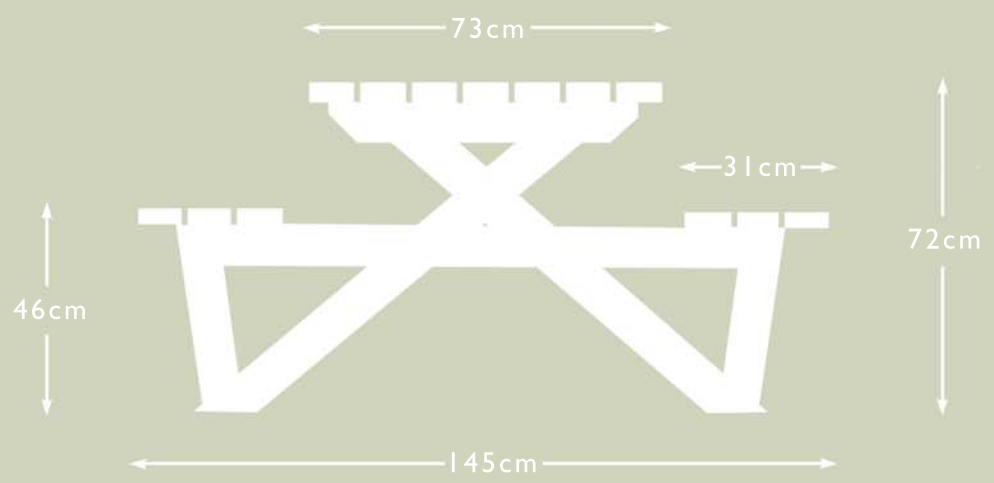
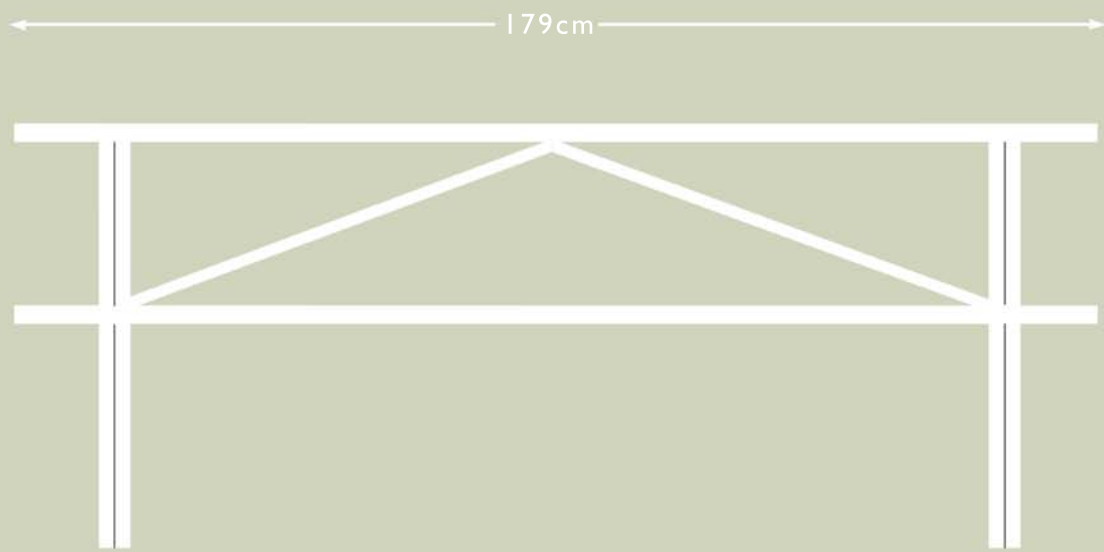
Either machine carved inscriptions or plaques in lacquered brass or stainless steel will enhance our full range of seating.

This may simply denote ownership or make the seats ideal for presentation and commemorative purposes.



X Frame Picnic suite

Dimensions



PBX8 1.8m

Poplar

Outdoor Furniture

The Poplar is a medium weight range bench and is built to suit a variety of uses in garden, park or hotel, Poplar will fit the situation.

There are four size options, ranging from 65cm to 182cm in length.

This range is built in Britain by highly skilled craftsmen using traditional joinery techniques. All end frames are mortised, tenoned and doweled for extra strength.



BLPQ-182



BLPQ-182

Bench shown above has been treated with 2 coats of microporous Teak water repellent.



BLPS-65

The Poplar range is made from Iroko (*Chlorophora excelsa*) that is sourced from West Africa. This is a highly durable hardwood with an attractive grain that will withstand our weather all year round.

The timber remains in its natural form with principal end grain waxed.

We are particularly careful to buy our timber from countries belonging to the International Tropical Timber Organisation, all of which have accepted ITTO guidelines for the sustainable production of tropical timber.

By purchasing our products it ensures that the timber resource retains an economic value, thus providing an incentive to replant, manage and protect for the future.

BRANSON
leisure

Inscriptions

BRANSON LEISURE FURNITURE



Either machine carved inscriptions or plaques in lacquered brass or stainless steel will enhance our full range of seating.

This may simply denote ownership or make the seats ideal for presentation and commemorative purposes.

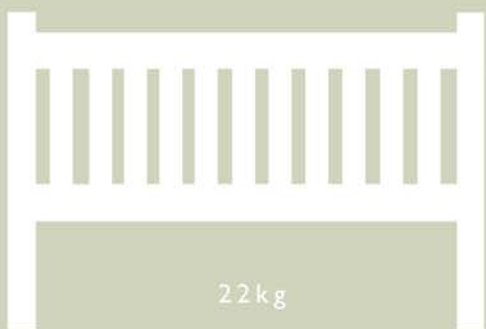


Poplar

Dimensions

BLPD-123

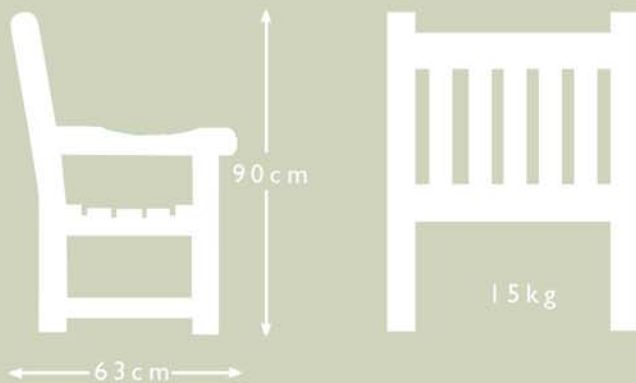
← 123 cm →



22kg

BLPS-65

← 65 cm →



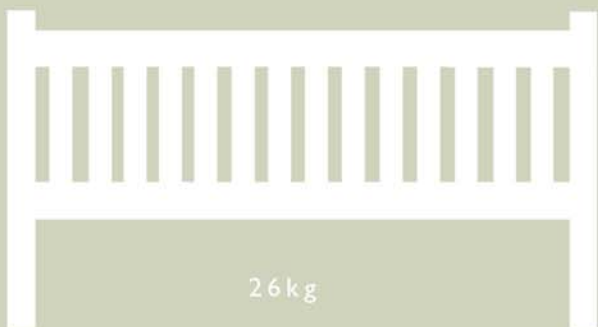
90 cm

← 63 cm →

15kg

BLPT-152

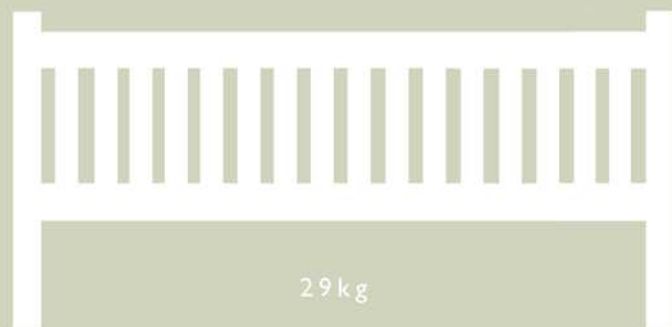
← 152 cm →



26kg

BLPQ-182

← 182 cm →



29kg