



BE Series Ratio 1:1

Bevel Gearboxes

All dimensions in mm

Material:

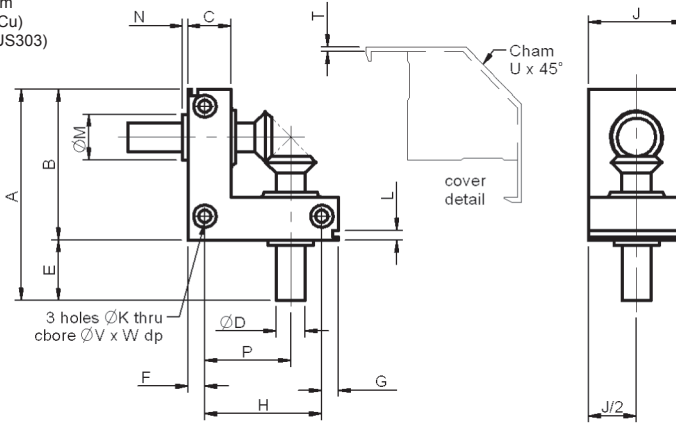
Body - Anodised aluminium
(ISO AlMg0.7Si, AlMg1SiCu)
Shaft - Stainless steel (SUS303)

Associated Products

Motors: page 2-1

Couplings: page 8-1

Hardware: page 13-1



Part number selection table

Part Number	Gear Ratio	A	B	C	ØD h8	E	F	G	H	P	J	Drilled Holes & C/Bores		
												Drill Hole ØK	C/Bore ØV	C/Bore Depth W
BE40L-001	1	40	30	10	4	10	5.0	4.5	20.5	15.0	18	3.4	6.5	3.5
BE55L-001		55	40	13	5	15	6.5	5.0	28.5	21.5	25	3.4	6.5	3.5
BE70L-001A		70	50	16	6	20	8.0	6.0	36	27.0	30	4.3	8.0	4.5
BE70L-001B		70	50	16	8	20	8.0	6.0	36	27.0	30	4.3	8.0	4.5
BE88L-001A		88	63	20	10	25	10.0	7.0	46	33.0	40	5.2	9.5	5.5
BE88L-001B		88	63	20	12	25	10.0	7.0	46	33.0	40	5.2	9.5	5.5

Part Number	L	ØM	N	T	U	Weight (g)
BE40L-001	2.5	7	2.1	1.7	13	30
BE55L-001	4.0	9	1.8	1.9	16	85
BE70L-001A	4.5	11	1.8	2.1	20	155
BE70L-001B	4.5	14	2.0	2.1	20	170
BE88L-001A	5.0	18	2.0	2.1	27	375
BE88L-001B	5.0	19	2.2	2.1	27	380



Allowable rated torque table

Part Number	Module	Teeth	Input Torque Ncm at:			
			50rpm	100rpm	250rpm	500rpm
BE40L-001	0.5	20	9.8	9.7	9.4	9.0
BE55L-001	0.8		38.6	38.0	36.5	34.3
BE70L-001A	1.0		72.3	71.0	67.6	62.6
BE70L-001B	1.0		72.3	71.0	67.6	62.6
BE88L-001A	1.5		232.3	226.5	210.8	188.9
BE88L-001B	1.5		232.3	226.5	210.8	188.9

i Features and options

- Product overview - see page 3-14
- BE series gearboxes are supplied with a clip-on plastic cover



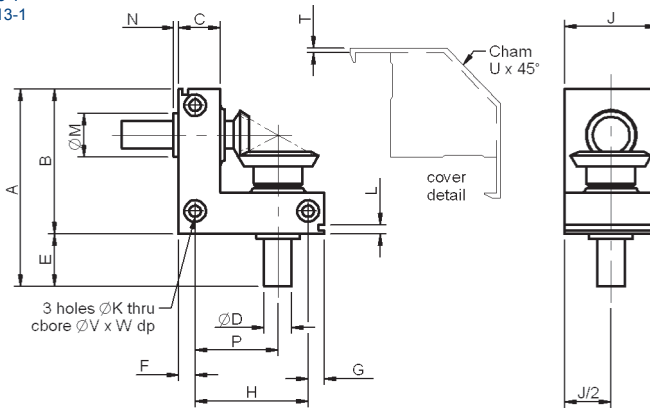
Associated Products

Motors: page 2-1
Couplings: page 8-1
Hardware: page 13-1

All dimensions in mm

Material:

Body - Anodised aluminium
(ISO AlMg0.7Si, AlMg1SiCu)
Shaft - Stainless steel (SUS303)



Part number selection table

Part Number	Gear Ratio	A	B	C	ØD h8	E	F	G	H	P	J	Drilled Holes & C/Bores		
												Drill Hole ØK	C/Bore ØV	C/Bore Depth W
BE55L-002	2	55	40	13	5	15	6.5	5	28.5	21.5	25	3.4	6.5	3.5
BE70L-002A		70	50	16	6	20	8.0	6	36	27.0	30	4.3	8.0	4.5
BE70L-002B		70	50	16	8	20	8.0	6	36	27.0	30	4.3	8.0	4.5
BE88L-002A		88	63	20	10	25	10.0	7	46	33.0	40	5.2	9.5	5.5
BE88L-002B		88	63	20	12	25	10.0	7	46	33.0	40	5.2	9.5	5.5

Part Number	L	ØM	N	T	U	Weight (g)
BE55L-002	4.0	9	1.8	1.9	16	80
BE70L-002A	4.5	11	1.8	2.1	20	140
BE70L-002B	4.5	14	2.0	2.1	20	165
BE88L-002A	5.0	18	2.0	2.1	27	345
BE88L-002B	5.0	19	2.2	2.1	27	375



Gearboxes

Allowable rated torque table

Part Number	Module	Teeth	Input Torque Ncm at:			
			50rpm	100rpm	250rpm	500rpm
BE55L-002	0.6	14/28	10.5	10.4	10.2	9.9
BE70L-002A	0.8	13/26	20.7	20.6	20.1	19.3
BE70L-002B	0.8	13/26	20.7	20.6	20.1	19.3
BE88L-002A	1.25	13/26	74.2	73.2	70.3	65.9
BE88L-002B	1.25	13/26	74.2	73.2	70.3	65.9

i Features and options

- Product overview - see [page 3-14](#)
- BE series gearboxes are supplied with a clip-on plastic cover