

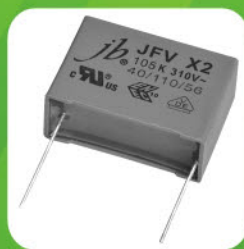
Professional Manufacturer Since 1980

Polyester, Polypropylene, Polystyrene Film Capacitors & SMD, Snap-in, Screw, Lug Type Aluminum Electrolytic Capacitors



Capacitors Company

Just your best choice





Plastic Film Capacitors Products Index



RoHS



JFA - Mylar Polyester Film Capacitor ----- P2-3

JFB - Metallized Polyester Film Capacitor (Top Seller) ----- P4-6

JFD - Box Type Metallized Polyester Film Capacitor ----- P7-9

JFE - Mini Metallized Polyester Film Capacitor ----- P10-12

JFG - Axial Metallized Polyester & Polypropylene Film Cap.----- P13-18

JFJ - Box Type Met Polyester Film Capacitor, Stacked ----- P19-21

JFL - Metallized Polypropylene Film Capacitor .----- P23-23

JFP - High Voltage Metallized Polypropylene Film Capacitor ----- P24-25

JFQ - Box Type Double Sided Metallized Polypropylene Capacitor --P26

JFS - Motor Starting Capacitor----- P27-29

JFX - Premium Metallized Polypropylene Film Capacitors – Axial—P30-31

JFV - X2 Metallized Polypropylene Film Capacitor ----- P32-34
(275VAC, 305VAC, 310VAC) (Top Seller)



Mylar Polyester Film Capacitor – JFA



RoHS



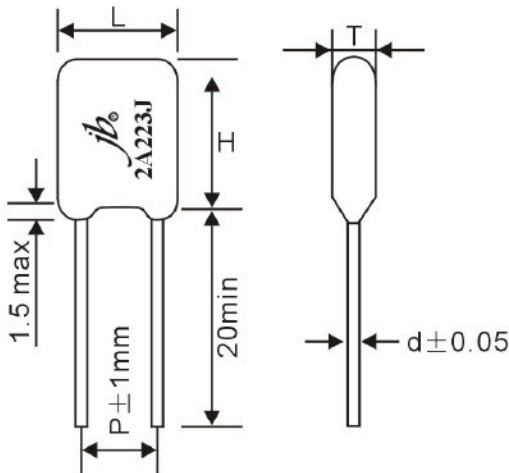
Features

- Inductive welded construction epoxy dip coated.
- Good reputation in use with consumer & industrial electronics.
- Optimum for automatic insertion due to their small size and light weight.
- Coated with epoxy resin for superior heat resistance, humidity resistance and solvent resistance.

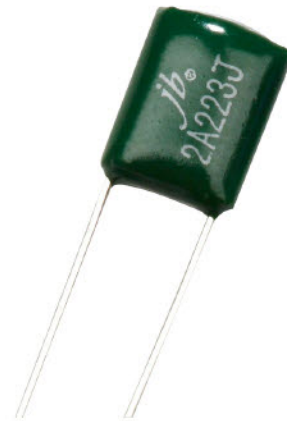
Specifications

Operating Temperature	-40°C ~ +85°C
Rated Voltage	100V, 250V, 400V, 630V, 1000V.DC
Capacitance Range	0.001 ~ 0.47 μ F
Capacitance Tolerance	\pm 5%, \pm 10%, \pm 20%
Insulation Resistance	0.1 μ F \leq 30,000M Ω min, >0.1 μ F >15000M Ω
Dissipation Factor	\leq 0.1 (at 1KHz)
Dielectric Strength	200% of rated voltage for 5 sec.

Drawing



Picture



Typical Application:

- Used in DC and pulse circuits of radio, TV Sets;
- compact fluorescent lamps and various electronic equipments.

jb[®] Capacitors Company

Distributed in the UK by
 AIT Components Ltd
 w: www.aitcomponents.com
 t: +44 (0) 1903 744988
 e: sales@aitcomponents.com



Mylar Polyester Film Capacitor – JFA

VDC	100V	Miniature Size 100V	250V	400V	630V
Mfd	P±1	P±1	P±1	P±1	P±1
0.00047	4	4	--	--	--
0.00027	4	4	--	--	--
0.00068	4	4	--	--	--
0.001	3.5	4	3.5	3.5	3.5
0.0012	3.5	4	3.5	3.5	3.5
0.0015	3.5	4	3.5	3.5	4
0.0018	3.5	4	3.5	3.5	4
0.0022	3.5	4	3.5	3.5	4
0.0027	3.5	4	3.5	3.5	4
0.0033	4	4	4	4	4
0.0039	4	4	4	4	4.5
0.0047	4	4	4	4	4.5
0.0056	4	4	4	4	4.5
0.0068	4	4	4	4	6
0.0082	4	4	4	4	6
0.01	4	4	4	4.5	6
0.012	4	4	4	5	6
0.015	5	4	5	6	6
0.018	5	4	5	6	6
0.022	5	4.5	5	7	7
0.027	5	5	5	7	7.5
0.033	5	5	5	7	7.5
0.039	5	5	5	7	8
0.04	5	5	5	--	--
0.047	5	5.5	5	7.5	8
0.056	6	6	6	8	--
0.068	6.5	6	6.5	8	--
0.082	6.5	6.5	6.5	--	--
0.1	7	6.5	7	8	--
0.12	7	7	7	--	--
0.15	7.5	7.5	--	--	--
0.18	7.5	8	--	--	--
0.22	7.5	8	--	--	--
0.27	7.5	8.5	--	--	--
0.33	8	10	--	--	--
0.39	8	10.5	--	--	--
0.47	8.5	11.5	--	--	--

Please visit our website to get more update data,
those data & specification are subject to change without notice.

jb[®]Capacitors Company
 Distributed in the UK by
 AIT Components Ltd
 w: www.aitcomponents.com
 t: +44 (0) 1903 744988
 e: sales@aitcomponents.com



Metallized Polyester Film Capacitor – JFB



RoHS



cULUS



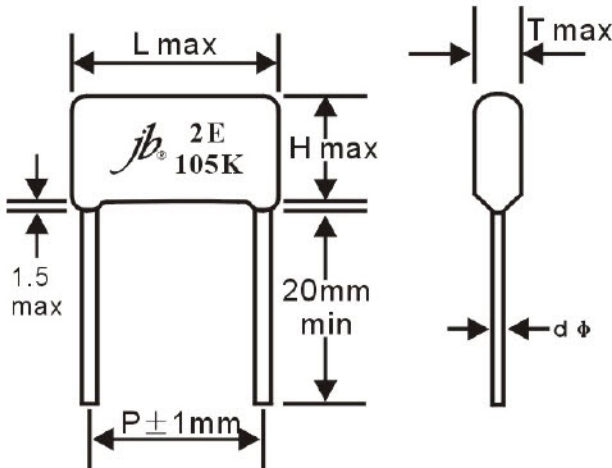
Features

- Non-inductive, extended foil, dip coated, high moisture resistance.
- Good reputation in use with filtering, DC blocking coupling.
- High reliable with its Self-Healing performance.
- Coated with epoxy resin for superior heat resistance, humidity resistance.

Specifications

Operating Temperature	-40°C ~ +85°C
Rated Voltage (V.DC)	100V(2A), 250V(2E), 400V(2G), 630V(2J).
Capacitance Range	0.01 ~ 6.8 μF
Capacitance Tolerance	±5%, ±10%, ±20%
Insulation Resistance	UR ≤ 100V, C ≤ 0.33 μF ≥ 3750 MΩ
	C > 0.33 μF ≥ 1250 MΩ. μF
	UR > 100V, C ≤ 0.33 μF ≥ 7500 MΩ
	C > 0.33 μF ≥ 2500 MΩ. μF
Dissipation Factor	≤ 0.01 (at 1KHz)

Drawing



Picture



Typical Application:

- Blocking, by-pass and coupling of DC and signals to VHF range;
- Widely used in filter and low pulse circuits.

jb[®] Capacitors Company

Distributed in the UK by
 AIT Components Ltd
 w: www.aitcomponents.com
 t: +44 (0) 1903 744988
 e: sales@aitcomponents.com



Metallized Polyester Film Capacitor – JFB

Standard Size (mm)

VDC	100V (2A)	250V (2E)	400V (2G)	630V (2J)
Mfd	P	P	P	P
0.01	10	10	10	10
0.015	10	10	10	10
0.018	10	10	10	10
0.022	10	10	10	10
			15	
0.027	10	10	10	10
0.033	10	10	10	10
				15
0.039	10	10	10	15
				10
0.047	10	10	15	10
			10	15
0.056	10	10	10	10
				15
0.068	10	10	10	10
				15
0.082	10	10	10	10
0.1	10	10	10	10
			15	15
				20
0.15	10	10	15	
			10	15
0.18	10	10	22.5	15
			15	22.5
0.22	10	10	20	22.5
		15	10	15
			15	20
0.27	10	15	15	20
	15			
0.33	10	15	15	20
	15		20	22.5
			22.5	27.5
0.39	10	15	15	27.5
	15			20

Please visit our website to get more update data, those data & specification are subject to change without notice.



Metallized Polyester Film Capacitor – JFB

Standard Size (mm)

VDC	100V (2A)	250V (2E)	400V (2G)	630V (2J)
Mfd	P	P	P	P
0.47	10		15	20
	15	15	20	22.5
			22.5	27.5
0.5	15	15	15	20
0.56	10	15	15	20
	15		20	22.5
			22.5	
0.68	10	15	20	20
	15		15	
			22.5	
0.82	15	15	22.5	27.5
			20	
1	15	15	20	27.5
		20	22.5	
			27.5	
1.2	15	15	20	27.5
	20	20		
1.5	15	20	22.5	27.5
	20	22.5	27.5	
1.8	20	20	22.5	
			27.5	
2	20	22.5	27.5	
		27.5		
2.2	20	20	27.5	
		22.5		
		27.5		
2.5	20	27.5	27.5	
2.7	20	20	27.5	
		27.5		
2.9	20			
3.3	20			
4.5	22.5	27.5		
	27.5			

Please visit our website to get more update data, those data & specification are subject to change without notice.

JFB[®] Capacitors Company

Distributed in the UK by
AIT Components Ltd
w: www.aitcomponents.com
t: +44 (0) 1903 744988
e: sales@aitcomponents.com



Box Type Met Polyester Film Capacitor – JFD



RoHS



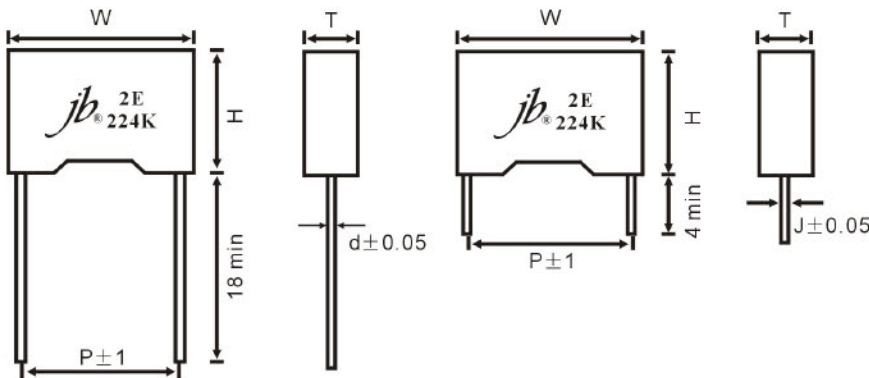
Features

- Non-inductive, plastic case and epoxy resin.
- Good Box type provide the identical outer appearance. High reliability.

Specifications

Reference Standard	GB7332 (IEC 60384-2)	
Operating Temperature	-40°C ~ +85°C	
Climatic Category	40/85/21	
Rated Voltage	63V, 100V, 160V, 250V, 400V, 630V.DC	
Capacitance Range	0.001 ~ 2.2 μF	
Capacitance Tolerance	±5%, ±10%, ±20%	
Voltage Proof	1.6U _R (5s)	
Insulation Resistance		
U _R > 100V	$\geq 7500M\Omega, C_R \leq 0.33 \mu F$ $\geq 2500s, C_R > 0.33 \mu F$	(20°C, 100V, 1min)
U _R ≤ 100V	$\geq 3750M\Omega, C_R \leq 0.33 \mu F$ $\geq 1250s, C_R > 0.33 \mu F$	(20°C, 10V, 1min)
Dissipation Factor		
Frequency	C _R ≤ 0.1 μF	C _R > 0.1 μF
1KHz	≤ 1.0%	≤ 1.0%

Drawing



Picture



Typical Application:

- By-passing, blocking, coupling, decoupling; Pulse, logic, timing, oscillator circuits

jb[®] Capacitors Company

Distributed in the UK by
 AIT Components Ltd
 w: www.aitcomponents.com
 t: +44 (0) 1903 744988
 e: sales@aitcomponents.com



Box Type Met Polyester Film Capacitor – JFD

Standard Size (mm): P=7.5

(Capacitor Thickness) T	≤3.5	>3.5
(Lead Wire Dia.) d±0.05	0.5	0.6
(Dimension Tolerance: W, H, T)	W +0.5/-0.7, H±0.5, T±0.5	

VDC	63VDC	100VDC	250VDC	400VDC	630VDC
Mfd	P	P	P	P	P
0.0033	--	--	--	--	7.5
0.0047	--	--	--	--	7.5
0.0068	--	--	--	--	7.5
0.01	--	--	--	--	7.5
0.015	--	--	--	7.5	7.5
0.022	--	--	--	7.5	7.5
0.033	--	--	--	7.5	--
0.047	--	--	7.5	7.5	--
0.068	--	--	7.5	7.5	--
0.1	--	7.5	7.5	7.5	--
0.15	--	7.5	7.5	--	--
0.22	7.5	7.5	7.5	--	--
0.33	7.5	7.5	--	--	--
0.47	7.5	7.5	--	--	--
0.68	7.5	--	--	--	--
1	7.5	--	--	--	--

Please visit our website to get more update data, those data & specification are subject to change without notice.

Box Type Met Polyester Film Capacitor – JFD

Standard Size (mm): P=10.0, 15.0

(Capacitor Thickness) T	10.0	15.0
(Lead Wire Dia.) $d \pm 0.05$	0.6	0.8
(Dimension Tolerance: W, H, T)	W +0.5/-0.7, H ± 0.5 , T ± 0.5	

VDC	63VDC	100VDC	160VDC	250VDC	400VDC	630VDC
Mfd	P	P	P	P	P	P
0.0047	--	--	--	--	--	10
0.0068	--	--	--	--	--	10
0.01	--	--	--	--	--	10
0.015	--	--	--	--	10	10
0.022	--	--	--	--	10	10
0.033	--	--	--	10	10	15
0.047	--	--	--	10	15	15
0.068	--	--	--	10	15	15
0.1	--	10	10	15	15	--
0.15	--	10	10	15	15	--
0.22	10	10	10	15	--	--
0.33	10	15	15	15	--	--
0.47	10	15	15	--	--	--
0.68	15	15	15	--	--	--
1	15	15	15	--	--	--
1.5	15	--	--	--	--	--
2.2	15	--	--	--	--	--

Please visit our website to get more update data, those data & specification are subject to change without notice.



Mini Met Polyester Film Capacitor – JFE



RoHS



cULus



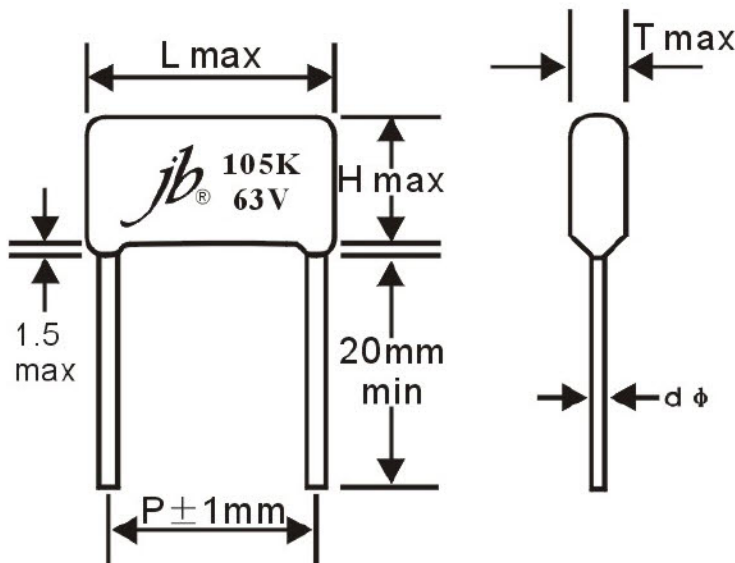
Features

- Miniature size, non-inductive, epoxy dip coated.
- The small size can be compared favourably with the stacked film capacitor.
- Epoxy resin powder coating provides the identical outer appearance.
- Low dissipation factor.
- Excellent self-healing property and reliability.

Specifications

Operating Temperature	-40°C ~ +85°C
Rated Voltage (V.DC)	50/63V, 100V, 160V, 250V, 400V.DC
Capacitance Range	0.01 ~ 2.2 μ F
Capacitance Tolerance	±5%, ±10%, ±20%
Insulation Resistance	C ≤ 0.33 μ F ≥ 3750MΩ ; C > 0.33 μ F ≥ 1250S (20°C, 1min)
Dissipation Factor	≤ 1.0% (20°C, 1KHz)

Drawing



Picture



Typical Application:

- Blocking, by-pass and coupling of DC and signals to VHF range;
- Widely used in filter and low pulse circuits.

jb Capacitors Company

Distributed in the UK by
 AIT Components Ltd
 w: www.aitcomponents.com
 t: +44 (0) 1903 744988
 e: sales@aitcomponents.com



Mini Met Polyester Film Capacitor – JFE

Standard Size (mm)

VDC	50/63V				100V			
Mfd	L	T	H	P	L	T	H	P
0.001~0.0056	8	5.5	7.5	5	8	5.5	7.5	5
0.0068	8	5.5	7.5	5	8	5.5	8.5	5
0.0082	8	5.5	7.5	5	8	5.5	8.5	5
0.01	8	5	7	5	8	5	7	5
	10.5	5	8	7.5	10.5	5.5	8.5	7.5
0.012	8	5	7.5	5	8	5	7.5	5
	10.5	5.5	8	7.5	10.5	5.5	8.5	7.5
0.015	8	5	7.5	5	8	5	7.5	5
	10.5	5.5	8.5	7.5	10.5	6	9	7.5
0.018	8	6.5	9.5	5	8	6.5	9.5	5
	10.5	5	8	7.5	10.5	5	8	7.5
0.022	8	5	7.5	5	8	5	7.5	5
	10.5	5	8	7.5	10.5	5	8	7.5
0.027	8	5.5	7.5	5	8	5.5	7.5	5
	10.5	5	8	7.5	10.5	5	8	7.5
0.033	8	5.5	7.5	5	8	5.5	7.5	5
	10.5	5.5	8.5	7.5	10.5	5.5	9	7.5
0.039	8	5.5	7.5	5	8	5.5	7.5	5
	10.5	5.5	9	7.5	10.5	5.5	9	7.5
0.047	8	5.5	7.5	5	8	5.5	7.5	5
	10.5	5.5	8.5	7.5	10.5	5.5	8.5	7.5
0.056	8	5.5	7.5	5	8	5.5	7.5	5
	10.5	5.5	8.5	7.5	10.5	5.5	8.5	7.5
0.068	8	5.5	7.5	5	8	5.5	7.5	5
	10.5	5.5	9	7.5	10.5	6	9	7.5
0.082	8	5.5	7.5	5	8	5.5	7.5	5
	10.5	5	9	7.5	10.5	6	9.5	7.5
0.1	8	5.5	7.5	5	8	5.5	8	5
	10.5	6.5	10	7.5	10.5	6.5	10	7.5
0.12	10.5	7	10	7.5	10.5	7	10	7.5
0.15	10.5	7	10	7.5	10.5	7	10	7.5
0.18	10.5	7	10	7.5	10.5	7	10	7.5
0.22	10.5	7.5	10.5	7.5	10.5	7.5	10.5	7.5
0.27	10.5	7.5	11	7.5	10.5	7.5	11	7.5

Please visit our website to get more update data, those data & specification are subject to change without notice.

jb[®] Capacitors Company
 Distributed in the UK by
 AIT Components Ltd
 w: www.aitcomponents.com
 t: +44 (0) 1903 744988
 e: sales@aitcomponents.com



Mini Met Polyester Film Capacitor – JFE

Standard Size (mm)

VDC	160V	250V	400V
Mfd	P	P	P
0.01	7.5	7.5	7.5
0.012	7.5	7.5	7.5
0.015	7.5	7.5	7.5
0.018	7.5	7.5	7.5
0.022	7.5	7.5	7.5
0.027	7.5	7.5	7.5
0.033	7.5	7.5	7.5
0.039	7.5	7.5	7.5
0.047	7.5	7.5	7.5
0.056	7.5	7.5	7.5
0.068	7.5	7.5	7.5
0.082	7.5	7.5	
0.1	7.5	7.5	

Please visit our website to get more update data, those data & specification are subject to change without notice.

jb® Axial Met Polyester & Polypropylene Film Capacitor – JFG

JFGA: AXIAL LEAD, METALLIZED POLYESTER FILM CAPACITOR – CYCLOIDAL

JFGB: AXIAL LEAD, METALLIZED POLYESTER FILM CAPACITOR – FLAT OVAL

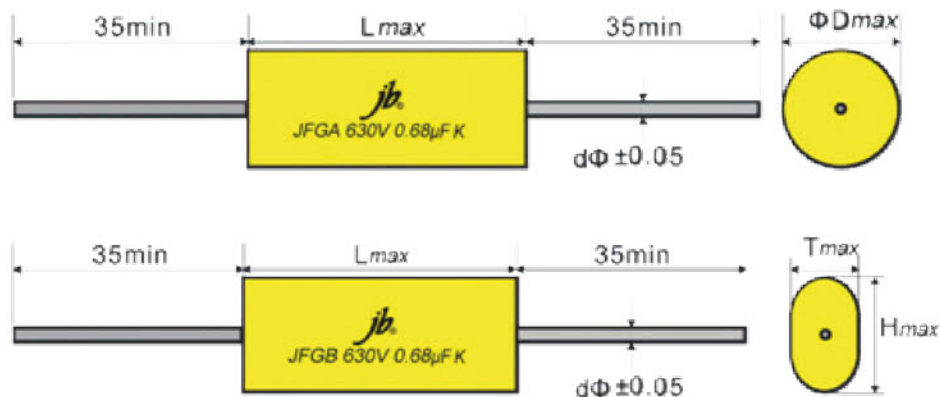
Features

- JFGA, JFGB is constructed with metallized polyester film as medium and electricode, wrapped and sealed with flame-retardant plastic and epoxy resin. With high reliability, high temperature-resistance, small volume, large capacity and good self-healing property.
- Mainly used in instruments and the DC & AC circuit of the household equipment and the fractional frequency circuit of acoustics system.

Specifications

Operating Temperature	-40°C ~ +105°C
Rated Voltage	100V, 250V, 400V, 630V.DC
Withstand Voltage	1.6U _R 2s (1.5U _R 5s)
Capacitance Range	0.033 ~ 68 μF (JFGA), 0.01 ~ 68 μF (JFGB)
Capacitance Tolerance	±5%, ±10%
Insulation Resistance	C ≤ 0.33 μF VR ≤ 100V(10V) ≥ 7500MΩ
	VR > 100V ≥ 15000 MΩ
	C > 0.33 μF VR ≤ 100V(10V) ≥ 2500S
	VR > 100V ≥ 5000S
Dissipation Factor	C < 1 μF ≤ 0.013 10KHz
	1 μF < C ≤ 10 μF ≤ 0.008 1KHz
	C > 10 μF ≤ 0.010 1KHz

Drawing



jb® Capacitors Company

Distributed in the UK by
 AIT Components Ltd
 w: www.aitcomponents.com
 t: +44 (0) 1903 744988
 e: sales@aitcomponents.com



Axial Met Polyester & Polypropylene Film Capacitor – JFG

JFGA: AXIAL LEAD, METALLIZED POLYESTER FILM CAPACITOR – CYCLOIDAL

Standard Size (mm)

VDC	100VDC		250VDC		400VDC		630VDC	
Mfd	L	D	L	D	L	D	L	D
0.033	--	--	--	--	--	--	15.5	7
0.047	--	--	--	--	20	6	20.5	7.5
0.068	--	--	--	--	20	6.5	20.5	8.5
0.1	15	6.5	15	6.5	20	7.5	20.5	8
0.22	15	6.5	15	6.5	20	9.5	25	11.5
0.33	15	8	20	7.5	20.5	9.5	26	9.5
0.47	20	7	20	8.5	26	9	31	14
0.68	20	7.5	20	10	26	10.5	32	11.5
1	20	9	25	10	31	14	32	14.5
2.2	25	11	31	12	37.5	14.5	37.5	17.5
3.3	25	14	31	14.5	37.5	17.5	47.5	19
4.7	31	13.5	31	17.5	37.5	20	47.5	22
5.6	31	15	31	19.5	47	17	57.5	21
6.8	31	16	46	16	57.5	18.5	57.5	23
8.2	31	17.5	46	17.5	57.5	20	57.5	25
10	31	19	46	19.5	57.5	22.5	57.5	27.5
15	46	18	46	24	57.5	26.5	67.5	30
22	46	22	46	29	57.5	31.5	--	--
33	56	23.5	56	30	--	--	--	--
47	56	29	56	36.5	--	--	--	--
68	58	33	61	41	--	--	--	--

Please visit our website to get more update data, those data & specification are subject to change without notice.



Axial Met Polyester & Polypropylene Film Capacitor – JFG

JFGB: AXIAL LEAD, METALLIZED POLYESTER FILM CAPACITOR – FLAT OVAL

Standard Size (mm)

VDC	100VDC			250VDC			400VDC			630VDC		
Mfd	L	T	H	L	T	H	L	T	H	L	T	H
0.01	15	5	8	15	5	8	15	5	8	15	5	8
0.022	15	5	8.5	15	5	8.5	15	5	8.5	15	5	8.5
0.033	15	5	8.5	15	5	8.5	15	5	8.5	20	5	9
0.047	15	5	8.5	15	5	8.5	15	5	8.5	20	5	9
0.068	15	5	8.5	15	5	8.5	20	5	8.5	20	6	11
0.1	15	5	8.5	15	5	8.5	20	5	8.5	15.5	7	10.5
0.22	15	5	8.5	20	5	9	15.5	7.5	11.5	20.5	7.5	11.5
0.33	15	5	9	15.5	7	11	20.5	6.5	11.5	20.5	8	14.5
0.47	15.5	6	10	15.5	8.5	13	26	6.5	11	26	7.5	15.5
0.68	20	5	9	20.5	7.5	12	26	7.5	12.5	32	8	16
1	20	7	11	25	7	12	32	7.5	14	32	9.5	18.5
2.2	25	8	12	26	11.5	15.5	37.5	10.5	17	37.5	13.5	21.5
3.3	25	9.5	16	26	14	18.5	37.5	13	20.5	47.5	17	26.5
4	31	8	15	32	13.5	18	37.5	14	22	47.5	15.5	23.5
4.7	31	9	15.5	32	13.5	19.5	37.5	15	24.5	47.5	17.5	25
5.6	31	10	17	32	15	21	47.5	13.5	23	57.5	16.5	24.5
6.8	31	11	18.5	37.5	14	22	57.5	13	22.5	57.5	18.5	26.5
8.2	31	12.5	19	37.5	15.5	23.5	57.5	14.5	24	57.5	20.5	28.5
10	31	14.5	21	37.5	16.5	26.5	57.5	16	27	57.5	23	30.5
15	46	15	22	47.5	17.5	27	57.5	20	31	67.5	22.5	33.5
22	46	17.5	25	47.5	22	33	67.5	22	33	--	--	--
33	56	19	27	57.5	23.5	34.5	--	--	--	--	--	--
47	56	24.5	31	56	32	39	--	--	--	--	--	--
68	56	29	35	61	37.5	45	--	--	--	--	--	--

Please visit our website to get more update data, those data & specification are subject to change without notice.

jb® Axial Met Polyester & Polypropylene Film Capacitor – JFG

JFGC: AXIAL LEAD, METALLIZED POLYPROPYLENE FILM CAPACITOR - CYCLOIDAL

JFGD: AXIAL LEAD, METALLIZED POLYPROPYLENE FILM CAPACITOR – FLAT OVAL

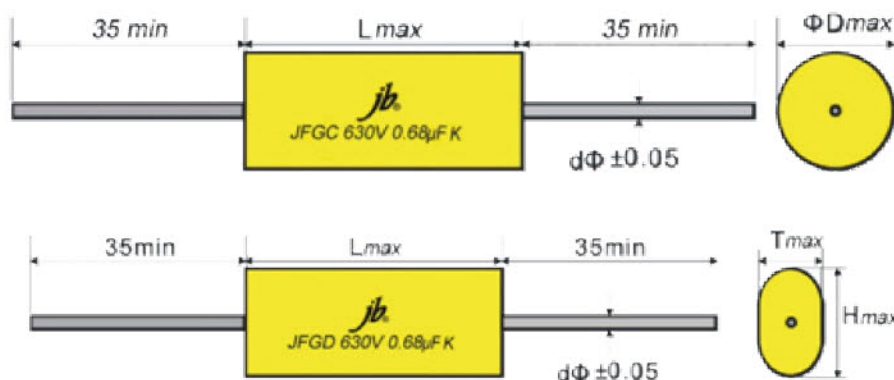
Features

- JFGC, JFGD is constructed with metallized polypropylene film as medium and electric code, wrapped and sealed with flame-retardant plastic and epoxy resin. With high reliability, high temperature-resistance, small volume, large capacity and good self-healing property.
- Mainly used in instruments and the DC & AC circuit of the household equipment and the fractional frequency circuit of acoustics system.

Specifications

Operating Temperature	-55°C ~ +100°C
Rated Voltage	250V, 400V, 630V, 1000V, 1250V.DC
Withstand Voltage	1.7U _R 2s (1.5U _R 5s)
Capacitance Range	0.047 ~ 56 μF (JFGC), 0.022 ~ 47 μF (JFGD)
Capacitance Tolerance	±5%, ±10%
Insulation Resistance	C ≤ 0.33 μF ≥ 50000MΩ
	C > 0.33 μF ≥ 15000S
Dissipation Factor	C < 0.1 μF ≤ 0.0015 10KHz
	0.1 μF < C ≤ 1 μF ≤ 0.0020 10KHz
	1 μF < C ≤ 4.7 μF ≤ 0.0030 10KHz
	C > 4.7 μF ≤ 0.0015 1KHz

Drawing



Axial Met Polyester & Polypropylene Film Capacitor – JFG

JFGC: AXIAL LEAD, METALLIZED POLYPROPYLENE FILM CAPACITOR - CYCLOIDAL

Standard Size (mm)

VDC	250VDC		400VDC		630VDC		1000VDC		1250VDC	
Mfd	L	D	L	D	L	D	L	D	L	D
0.047	15	7	15	7	15.5	8	20.5	9	26	9
0.068	15	7.5	20	10.5	15.5	9	26	9	26	10.5
0.1	15	6	15.5	7	25	10	26	10	32	11.5
0.22	15.5	8	15.5	9	20.5	12	26	14	32	15.5
0.33	20.5	7.5	20.5	8.5	26	12	32	15	37	16.5
0.47	29	8.5	20.5	9.5	26	13.5	37	16	37	19
0.68	20.5	10	26	10	26	16	37	18.5	48	20
1	20.5	12	26	12	32	16.5	48	19	48	23.5
2.2	26	14.5	32	14.5	37	21.5	58	24.5	58	30
3.3	26	17	32	17.5	37	26	58	29	68	33.5
4	26	18.5	37	17	48	24.5	68	29	--	--
4.7	32	17.5	37	18.5	48	26.5	68	31.5	--	--
5.6	37	17	37	20	58	25.5	68	34.5	--	--
6.8	37	18.5	48	19	58	28	--	--	--	--
8.2	48	17.5	48	20.5	68	27.5	--	--	--	--
10	48	19	48	23	68	30.5	--	--	--	--
15	58	20.5	58	24.5	--	--	--	--	--	--
22	58	25	58	29	--	--	--	--	--	--
30	58	29	68	30.5	--	--	--	--	--	--
33	68	27.5	68	32.5	--	--	--	--	--	--
39	68	29.5	68	35	--	--	--	--	--	--
47	68	33	--	--	--	--	--	--	--	--
56	68	35.5	--	--	--	--	--	--	--	--

Please visit our website to get more update data, those data & specification are subject to change without notice.

Axial Met Polyester & Polypropylene Film Capacitor – JFG

JFGD: AXIAL LEAD, METALLIZED POLYPROPYLENE FILM CAPACITOR – FLAT OVAL

Standard Size (mm)

VDC	250VDC			400VDC			630VDC			1000VDC			1250VDC		
Mfd	L	T	H	L	T	H	L	T	H	L	T	H	L	T	H
0.02	2	--	--	--	--	--	--	--	--	--	--	--	15.5	7.5	10.5
0.03	3	--	--	--	--	--	--	--	--	15.5	7	10	20.5	6.5	9.5
0.04	7	--	--	--	--	--	--	--	--	15.5	8.5	12	20.5	7.5	12
0.06	8	--	--	--	--	--	--	--	--	20.5	7	11.5	26	7	13
0.1	15	5	8	20	7	10.5	25	6.5	13	26	7	11.5	26	8.5	14.5
0.22	20	5	9	15.5	6.5	10.5	15.5	12	16	26	10	16	32	10.5	18
0.33	15.5	7	10.5	15.5	8	12.5	20.5	10.5	15	32	10	17.5	37.5	11.5	20
0.47	15.5	8.5	12.5	20.5	7	11.5	20.5	13	17	37.5	10.5	19.5	47.5	10.5	21
0.68	20.5	6.8	12	20.5	9	13	26	12	18	47.5	10	20.5	57.5	11.5	23.5
1	20.5	8.5	13.5	26	9	13	26	15	20.5	57.5	10.5	23	67.5	12.5	25
2.2	31	11	17.5	32	11.5	16	32	18.5	26.5	67.5	15.5	27.5	67.5	20	32.5
3.3	32	11.5	17.5	32	13.5	19.5	32	23	32.5	67.5	19.5	31.5	67.5	20	32.5
4.7	31	16.5	22.5	37.5	15	22	37.5	24	35	67.5	24	36.5	--	--	--
5.6	37.5	13	20.5	47.5	14.5	21	47.5	21	34	--	--	--	--	--	--
6.8	47.5	11	20.5	47.5	15	23	57.5	20.5	33.5	--	--	--	--	--	--
8.2	47.5	12.5	22	57.5	14	22	57.5	23	35.5	--	--	--	--	--	--
10	47.5	15	23.5	57.5	14.5	24.5	67.5	23	35.5	--	--	--	--	--	--
15	57.5	14.5	26	67.5	16	27	--	--	--	--	--	--	--	--	--
22	57.5	18.5	29.5	67.5	19	32.5	--	--	--	--	--	--	--	--	--
30	67.5	19	32	67.5	23.5	36	--	--	--	--	--	--	--	--	--
33	67.5	20	33.5	67.5	24.5	37.5	--	--	--	--	--	--	--	--	--
47	67.5	25	38	--	--	--	--	--	--	--	--	--	--	--	--

Please visit our website to get more update data, those data & specification are subject to change without notice.



Box Type Met Polyester Film Capacitor, Stacked – JFJ



RoHS



Features

- High dv / dt ability and small size due to stacked construction
- Non-inductive, Plastic case and epoxy resin

Specifications

Reference Standard	GB7332 (IEC 60384-2)	
Climatic Category	55/ 100/ 56	
Rated Temperature	85°C	
Operating Temperature Range	-55°C ~ +105°C (+85°C to +105°C)	
Decreasing factor	1.25% per for °C VR (DC)	
Rated Voltage	63V, 100V, 250V, 400V, 500V, 630V	
Capacitance Range	0.001 ~ 1.0uF	
Capacitance Tolerance	±5%(J), ±10%(K), ±20%(M)	
Voltage Proof	Type A: 1.6U _R (5s) ; Type B: 1.4U _R (5s)	
Insulation Resistance		
U _R >100V	≥30,000MΩ, C _R ≤0.33 μ F	(20°C, 100V, 1min)
U _R ≤100V	≥15,000MΩ, C _R ≤0.33 μ F	(20°C, 10V, 1min)
	≥5,000s, C _R >0.33 μ F	
Dissipation Factor		
Frequency	C _R ≤0.1 μ F	C _R >0.1 μ F
1KHz	≤1.0%	≤1.0%
10KHz	≤1.5%	≤1.5%
100KHz	≤3.0%	---
If the working voltage (U) is lower than the rated voltage (U _R), the capacitor can be worked at a higher dv/dt.		
U _R (V)	dv/ dt (V/ μ s)	
	Type A	Type B
63	250	75
100	300	85
250	400	100
400	600	150
500	700	200
630	800	200

jb[®] Capacitors Company

Distributed in the UK by
 AIT Components Ltd
 w: www.aitcomponents.com
 t: +44 (0) 1903 744988
 e: sales@aitcomponents.com



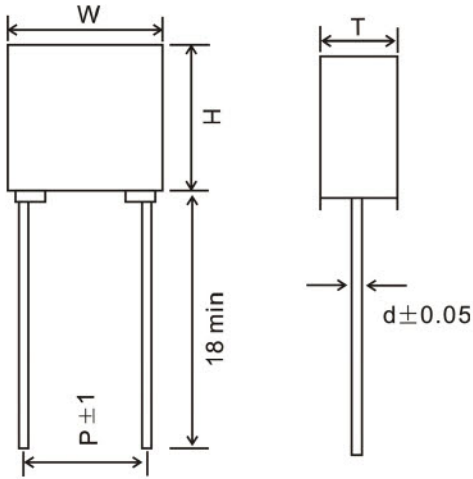
Box Type Met Polyester Film Capacitor, Stacked – JFJ



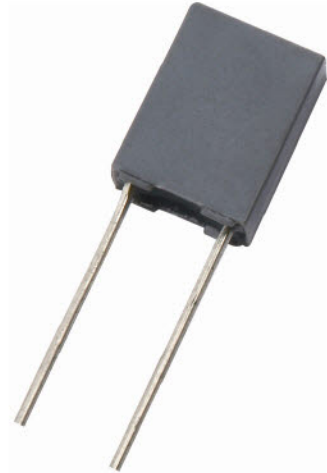
RoHS



Drawing



Picture



Standard Size (mm) Type B (P: 5mm): Series code for Type B: JFJ1

(Capacitor Thickness) T	≤ 3.5	> 3.5
(Lead Wire Diz.) $d \pm 0.05$	0.5	0.6
(Dimension Tolerance: W, H, T)	± 0.2	± 0.4

(μF)	63VDC		100VDC		(μF)	63VDC		100VDC	
	W	H	W	H		W	H	W	H
0.1	--	--	7.2	6.5	0.39	7.2	7.5	7.2	9.5
0.12	--	--	7.2	6.5	0.47	7.2	7.5	7.2	10
0.15	7.2	6.5	7.2	7.5	0.56	7.2	9.5	7.2	10
0.18	7.2	6.5	7.2	7.5	0.68	7.2	9.5	7.2	11
0.22	7.2	6.5	7.2	7.5	0.82	7.2	9.5	7.2	11
0.27	7.2	6.5	7.2	9.5	1	7.2	10	7.2	11
0.33	7.2	7.5	7.2	9.5	1.5	7.2	11	--	--

Please visit our website to get more update data, those data & specification are subject to change without notice.

jb® Capacitors Company

Distributed in the UK by
AIT Components Ltd
w: www.aitcomponents.com
t: +44 (0) 1903 744988
e: sales@aitcomponents.com



Box Type Met Polyester Film Capacitor, Stacked – JFJ



RoHS



c

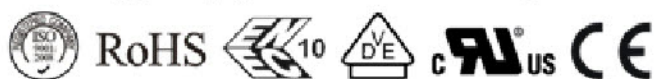
UL US

Standard Size (mm)

Type A (P: 5mm) Series Code for Type A: JFJ0

(µF)	63VDC		100VDC		250VDC		400VDC		500VDC		630VDC	
	W	H	W	H	W	H	W	H	W	H	W	H
0.001	7.2	6.5	7.2	6.5	7.2	6.5	7.2	6.5	7.2	6.5	7.2	6.5
0.0012	7.2	6.5	7.2	6.5	7.2	6.5	7.2	6.5	7.2	6.5	7.2	6.5
0.0015	7.2	6.5	7.2	6.5	7.2	6.5	7.2	6.5	7.2	6.5	7.2	6.5
0.0018	7.2	6.5	7.2	6.5	7.2	6.5	7.2	6.5	7.2	6.5	7.2	7.5
0.0022	7.2	6.5	7.2	6.5	7.2	6.5	7.2	6.5	7.2	6.5	7.2	7.5
0.0027	7.2	6.5	7.2	6.5	7.2	6.5	7.2	6.5	7.2	6.5	7.2	7.5
0.0033	7.2	6.5	7.2	6.5	7.2	6.5	7.2	6.5	7.2	7.5	7.2	7.5
0.0039	7.2	6.5	7.2	6.5	7.2	6.5	7.2	6.5	7.2	7.5	7.2	7.5
0.0047	7.2	6.5	7.2	6.5	7.2	6.5	7.2	6.5	7.2	7.5	7.2	9.5
0.0056	7.2	6.5	7.2	6.5	7.2	6.5	7.2	7.5	7.2	7.5	7.2	9.5
0.0068	7.2	6.5	7.2	6.5	7.2	6.5	7.2	7.5	7.2	9.5	7.2	9.5
0.0082	7.2	6.5	7.2	6.5	7.2	6.5	7.2	7.5	7.2	9.5	7.2	9.5
0.01	7.2	6.5	7.2	6.5	7.2	6.5	7.2	7.5	7.2	9.5	7.2	10
0.012	7.2	6.5	7.2	6.5	7.2	6.5	7.2	9.5	7.2	9.5	7.2	11
0.015	7.2	6.5	7.2	6.5	7.2	6.5	7.2	9.5	7.2	10	7.2	11
0.018	7.2	6.5	7.2	6.5	7.2	6.5	7.2	9.5	7.2	11	7.2	11
0.022	7.2	6.5	7.2	6.5	7.2	7.5	7.2	10	7.2	11	--	--
0.027	7.2	6.5	7.2	6.5	7.2	7.5	7.2	11	7.2	11	--	--
0.033	7.2	6.5	7.2	6.5	7.2	7.5	7.2	11	--	--	--	--
0.039	7.2	6.5	7.2	6.5	7.2	7.5	7.2	11	--	--	--	--
0.047	7.2	6.5	7.2	6.5	7.2	9.5	7.2	11	--	--	--	--
0.056	7.2	6.5	7.2	6.5	7.2	9.5	--	--	--	--	--	--
0.068	7.2	6.5	7.2	6.5	7.2	9.5	--	--	--	--	--	--
0.082	7.2	6.5	7.2	6.5	7.2	10	--	--	--	--	--	--
0.1	7.2	6.5	7.2	7.5	7.2	10	--	--	--	--	--	--
0.12	7.2	6.5	7.2	9.5	7.2	11	--	--	--	--	--	--
0.15	7.2	7.5	7.2	9.5	7.2	11	--	--	--	--	--	--
0.18	7.2	7.5	7.2	9.5	--	--	--	--	--	--	--	--
0.22	7.2	7.5	7.2	10	--	--	--	--	--	--	--	--
0.27	7.2	9.5	7.2	10	--	--	--	--	--	--	--	--
0.33	7.2	9.5	7.2	11	--	--	--	--	--	--	--	--
0.39	7.2	9.5	7.2	11	--	--	--	--	--	--	--	--
0.47	7.2	10	7.2	11	--	--	--	--	--	--	--	--
0.56	7.2	10	7.2	11	--	--	--	--	--	--	--	--
0.68	7.2	11	--	--	--	--	--	--	--	--	--	--
0.82	7.2	11	--	--	--	--	--	--	--	--	--	--
1	7.2	11	--	--	--	--	--	--	--	--	--	--

jb[®] Met Polypropylene Film Capacitor – JFL



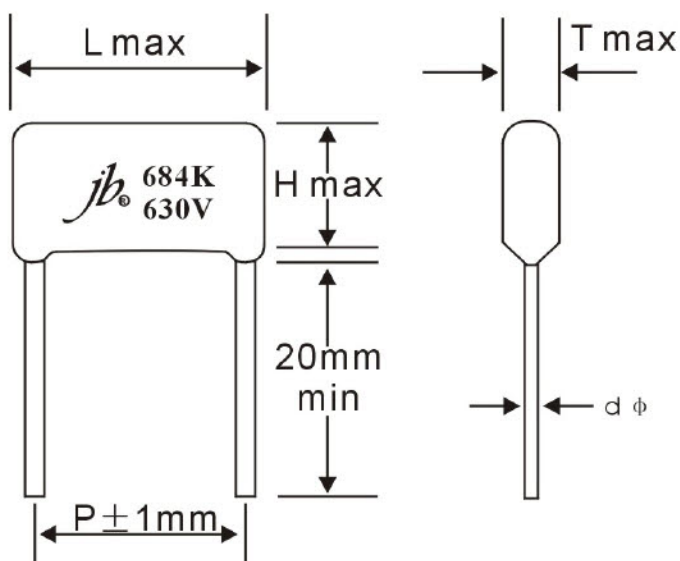
Features

- Non-inductive, epoxy dip coated, high moisture resistance.
- Dissipation factor is normally low and it is stable against high frequency and change of temperature.
- Recommended for high-frequency circuits like s-curve compensating circuit.
- High reliability because of its excellent Self-Healing performance.

Specifications

Operating Temperature	-40°C ~ +85°C
Rated Voltage (V.DC)	100V(2A), 250V(2E), 400V(2G), 630V(2J).
Capacitance Range	0.01 ~ 10.0 μF
Capacitance Tolerance	±5%, ±10%, ±20%
Insulation Resistance	$U_R > 100V \quad C \leq 0.33\mu F \quad IR \geq 25000M\Omega$
	$C > 0.33\mu F \quad IR \geq 7500s$
	$U_R < 100V \quad C \leq 0.33\mu F \quad IR \geq 12500M\Omega$
	$C > 0.33\mu F \quad IR \geq 3750s$
Dissipation Factor	≤0.002 (at 1KHz) (typical 0.001 max)

Drawing



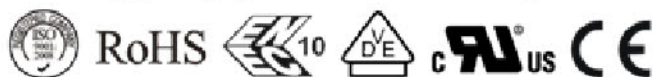
Picture



jb[®] Capacitors Company

Distributed in the UK by
 AIT Components Ltd
 w: www.aitcomponents.com
 t: +44 (0) 1903 744988
 e: sales@aitcomponents.com

jb[®] Met Polypropylene Film Capacitor – JFL



Standard Size (mm)

VDC	100 VDC (2A)	250 VDC (2E)	VDC	400 VDC (2G)	630 VDC (2J)
Mfd	P	P	Mfd	P	P
0.01	10	10	0.01	10	10
0.012~0.015	10	10	0.012~0.015	10	10
	7.5			0.018~0.022	10
0.022~0.027	10	10	0.033~0.036		10
	7.5	15		15	15
0.033	10	10	0.039	10	
	7.5			10	
0.039~0.047	10	10	0.047	10	10
0.056	7.5	10		15	15
0.068	10	10	0.068	10	10
0.1	10	10		15	15
0.15	10	10	0.1	10	15
0.22	10	10		15	
	15	15	0.15	15	15
0.33	15	15	0.22	15	15
0.47	15	15	0.33~0.39	15	22.5
		20		20	
0.68	20	20	0.47	20	20
1	20	20		22.5	22.5
			22.5	20	27.5
1.2	20	20	0.56	15	22.5
		22.5		22.5	22.5
1.5	27.5	22.5	0.68		27.5
		27.5		22.5	
2.2	27.5	27.5	0.82	22.5	
3.3	27.5	27.5		22.5	27.5
				1	27.5
			1.5	27.5	27.5
			2	27.5	
			2.2	27.5	
			3.3	27.5	

Please visit our website to get more update data, those data & specification are subject to change without notice.



High Voltage Met Polypropylene Film Capacitor – JFP



RoHS



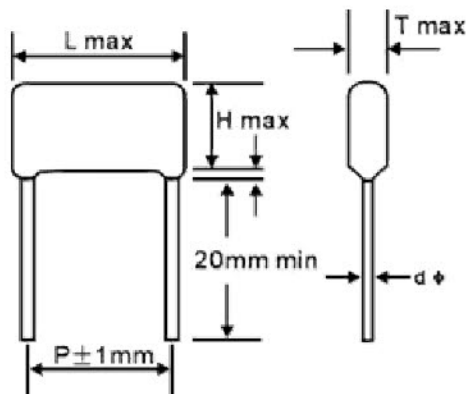
Features

- Extended foil, flame retardant epoxy coated.
- Ideal for high AC current applications, such as CRT deflection for R-F generators and pulse-forming networks.
- Coated with flame retardate epoxy resin which provides from humidity and mechanical damage.
- Temperature coefficient is negative and variety linear over the operation temperature.

Specifications

Operating Temperature	-40°C ~ +85°C
Rated Voltage	1000V, 1250V, 1600V, 2000V.DC
Capacitance Range	0.001 ~ 0.15 μ F
Capacitance Tolerance	\pm 5%, \pm 10%
Dissipation Factor	\leq 0.1% (20°C, 1KHz)
Insulation Resistance	\geq 25000M Ω (CR \leq 0.1 μ F)(20°C, 1min)
	\geq 2000s (CR>0.1 μ F)

Drawing



Picture



Typical Application:

- For high pulse and high current loading circuit, For electronic ballast .

jb[®] Capacitors Company

Distributed in the UK by
 AIT Components Ltd
 w: www.aitcomponents.com
 t: +44 (0) 1903 744988
 e: sales@aitcomponents.com



High Voltage Met Polypropylene Film Capacitor – JFP



RoHS



Standard Size (mm)

VDC	1000VDC / 1250VDC				1500VDC/1600VDC				2000VDC			
Mfd	L	T	H	P	L	T	H	P	L	T	H	P
0.00047-0.00056	18	6.5	11	15	18	7	11	15	18	7	11	15
0.001	18	7	11	15	18	7	12	15	18	7.5	12	15
0.0011									18	7.5	12	15
0.0015	18	7	12.5	15	18	7	12.5	15	18	7.5	12.5	15
0.0022	18	7	12.5	15	18	7	13	15	18	7.5	13	15
0.0027	18	7	12.5	15	18	7	13	15	18	5.5	11	15
0.0033									18	8	15	15
	18	7.5	12.5	15	18	7.5	12.5	15	23	7.5	16	20
0.0039					18	7.5	13	15	18	7.5	13	15
0.0047	18	7.5	13.5	15	18	7.5	13.5	15	18	8.5	15	15
					25	7.5	13	22.5	25	7.5	13	22.5
0.0052					18	8	13.5	15				
0.0056/0.0068	18	7.5	13.5	15	18	8.5	13.5	15	18	9	16	15
0.0082	18	8	14	15	18	8.5	14.5	15	18	10	17	15
					25	8.5	15.5	22.5				
0.0091					25	8	14	22.5				
0.0095					25	14	14	22.5				
0.01	18	8	15	15	18	9.5	16.5	15	25	8.5	13.5	22.5
0.011~0.012	25	8	13.5	22.5	25	8	13.5	22.5	25	8	13.5	22.5
0.013~0.016	18	8.5	15.5	15	18	10	17	15	25	9	16	22.5
	25	9	14	22.5	25	9	14	22.5				
0.022	18	9.5	14.5	15								
	25	14	22	22.5	25	9.5	17.5	22.5	25	13	20	22.5
0.033	18	12	18	15								
0.047	18	12	19.5	15								

Please visit our website to get more update data, those data & specification are subject to change without notice.

jb[®] Capacitors Company

Distributed in the UK by
 AIT Components Ltd
 w: www.aitcomponents.com
 t: +44 (0) 1903 744988
 e: sales@aitcomponents.com



Box Type Double Sided Met Polypropylene Film Capacitor – JFQ



RoHS



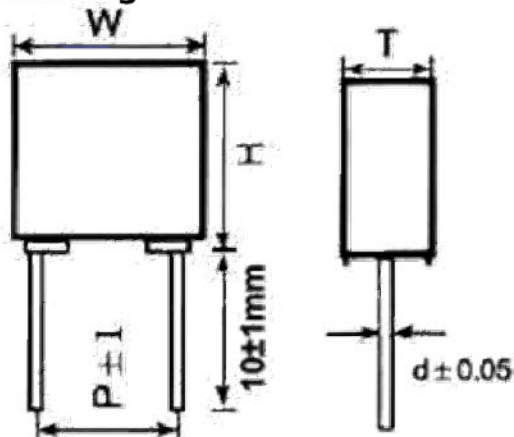
Features

- Double sided metallized structure, widely used in high voltage, high frequency and pulse circuit
- Low loss and small inherent temperature rise
- Negative temperature coefficient of capacitance
- Excellent active and passive flame resistant abilities

Specifications

Reference Standard	GB14579 (IEC 60384-17)
Climatic Category	40/100/56
Rated Temperature	85°C for VR (DC) ; 75°C for VR (AC)
Operating Temperature Range	-40°C~105°C
	(+85°C to +105°C decreasing factor 1.25% per °C for VR DC)
Rated Voltage	250V, 400V, 630V, 1000V, 1400/1600V, 2000V
Capacitance Range	0.00022μF ~ 3.9μF
Capacitance Tolerance	±2%(G), ±3%(H), ±5%(J), ±10%(K), ±20%(M)
Voltage Proof	1.6UR(5s)
Dissipation Factor	≤0.001, (20°C · 1kHz)
Insulation Resistance	≥50 000MΩ, CR ≤0.33μF (20°C, 100V, 1min)
	≥15 000s, CR >0.33μF

Drawing



Picture

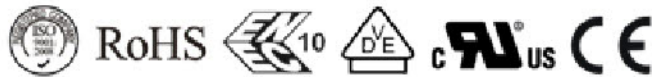


Please visit our website to get more update data, those data & specification are subject to change without notice.

jb® Capacitors Company

Distributed in the UK by
 AIT Components Ltd
 w: www.aitcomponents.com
 t: +44 (0) 1903 744988
 e: sales@aitcomponents.com

jb[®] Motor Starting / Running Capacitor – JFS



Features

- Electrical apparatus use metallized film with precisely quality control.
- Low D.F. (dissipation factor), lower temperature rise.
- High I.R. (insulation resistance) small size.
- High safety & high reliability.
- Durability and characteristics of frequency, etc. sided metallized structure, widely used in high voltage, high frequency and pulse circuit

Specifications

Operating Condition	-25°C ~ +70°C
Capacitance Range	1uF~20uF(JFS-A~D、JFS-5~7、JFS-9), 1uF~100uF(JFS-10~18)
Capacitance Tolerance	J(±5%)、K(±10%)
Rated Voltage	250V 450V (AC)
Withstand Voltage	AC ≥ 2UR 2S (I _{max} ≤ 1.3 InA)
Dissipation Factor	≤ 0.003 1KHz(JFS-A~D、JFS-5~7、JFS-9) ≤ 0.004 1KHz(JFS-10~18)
Insulation Resistance	≥ 3000S

Picture



jb[®] Capacitors Company

Distributed in the UK by
 AIT Components Ltd
 w: www.aitcomponents.com
 t: +44 (0) 1903 744988
 e: sales@aitcomponents.com



Motor Starting / Running Capacitor – JFS

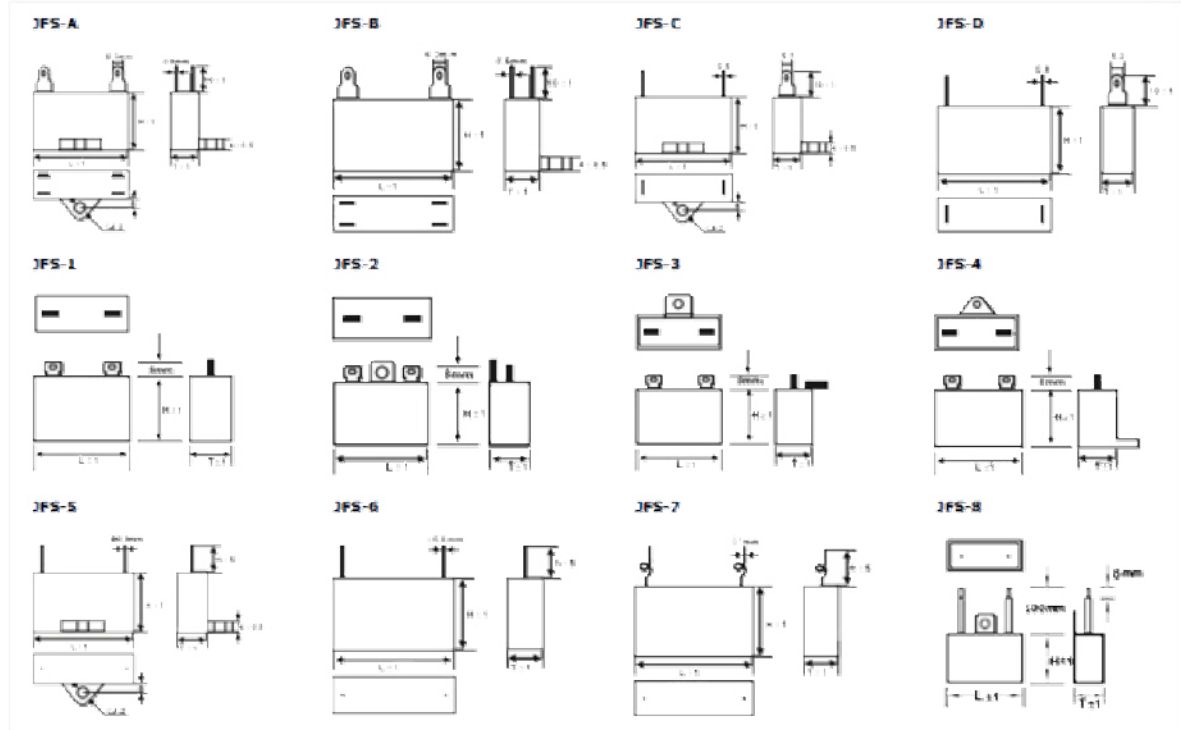
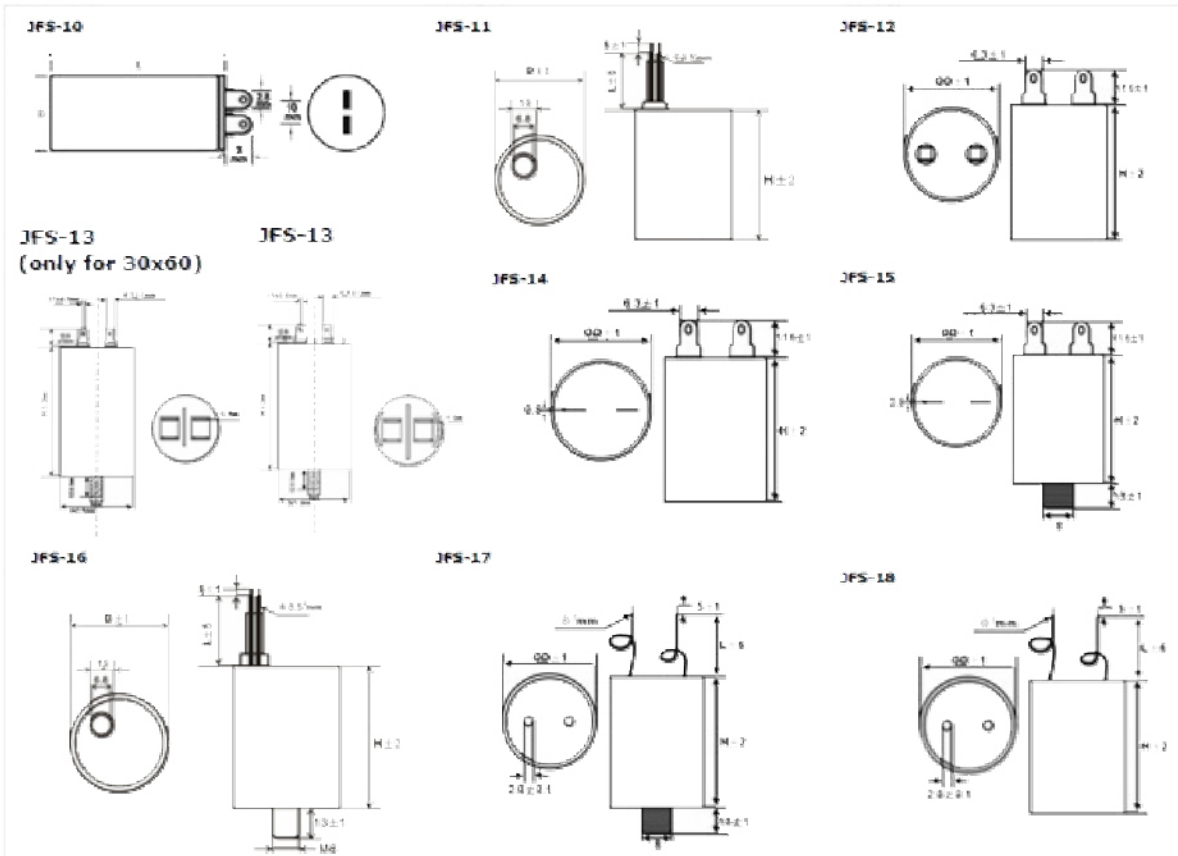
Drawing



RoHS



C US





Motor Starting / Running Capacitor – JFS



RoHS



Standard Size (mm)

CAP	JFS-A,JFS-C,JFS-5,JFS-9						JFS-B,JFS-D,JFS-6,JFS-7					
	250VAC			450VAC			250VAC			450VAC		
uF	L	T	H	L	T	H	L	T	H	L	T	H
0.5	26.5	12.5	21	26.5	12.5	21	26.5	12	20	25.5	12	20
1	26.5	12.5	21	32	14	24	26.5	12	20	32	14	25
2	32	14	24	37	17	28	32	14	25	37	17	28
2.5	32	14	24	37	17	28	32	14	25	37	17	28
3	32	14	24	38	20	30	32	14	25	38	20	30
5	37	17	28	47	20	34	37	17	28	47	20	34
6	37	17	28	47	23	34	37	17	28	47	23	34
8	47	17.5	33	47	28	34	47	18	32	47	28	34
10	47	17.5	33	47	32	40	47	18	32	47	30	40
12	47	23	34	47	32	43	47	23	34	--	--	--
15	47	25	34	--	--	--	47	25	34	--	--	--
20	47	28	37	--	--	--	47	28	37	--	--	--

CAP	JFS-13,16,17				JFS-11,12,18				JFS-15				JFS-14			
	250VAC		450VAC		250VAC		450VAC		250VAC		450VAC		250VAC		450VAC	
uF	OD	H	OD	H	OD	H	OD	H	OD	H	OD	H	OD	H	OD	H
1	26	55	26	55	26	55	26	55	26	55	26	55	26	55	26	55
2	26	55	26	55	26	55	26	55	26	55	26	55	26	55	26	55
3	26	55	26	55	26	55	26	55	26	55	26	55	26	55	26	55
5	26	55	34	55	26	55	34	55	26	55	34	55	26	55	34	55
6	26	55	34	55	26	55	34	55	26	55	34	55	26	55	34	55
8	26	55	36	65	26	55	36	60	26	55	36	60	26	55	34	55
10	34	55	36	65	34	55	36	60	34	55	36	60	26	55	36	55
12	34	55	45	75	34	55	36	70	34	55	36	70	26	55	36	65
16	34	55	45	75	34	55	45	70	34	55	45	70	34	55	45	65
20	34	55	45	75	34	55	45	70	34	55	45	70	34	55	45	65
25	36	65	50	85	36	60	45	80	36	60	45	80	34	55	45	75
30	36	65	50	85	36	60	50	80	36	60	50	80	34	55	50	75
40	45	75	45	125	36	70	45	120	36	70	45	120	36	65	45	115
50	45	75	50	125	45	70	50	120	45	70	50	120	45	65	50	115
60	50	85	60	125	50	80	60	120	50	80	60	120	45	75	60	115
80	45	125	60	145	45	120	60	140	45	120	69	140	45	115	60	135
100	50	125	65	145	50	120	65	140	50	120	65	140	50	115	65	135

Please visit our website to get more update data, those data & specification are subject to change without notice.



Premium Metallized Polypropylene Film Capacitors – Axial – JFX



RoHS



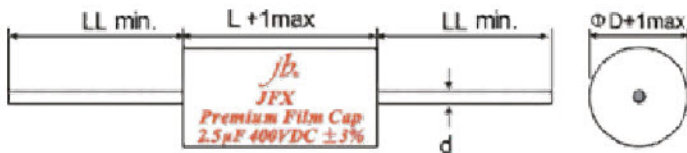
Features

- Quick transient design
- High Precise Capacitance $\pm 3\%$, $\pm 5\%$
- Very Low Dielectric absorption factor
- Very Low Dissipation factor
- Very Low ESR
- Very Low Inductance
- Excellent handling of high current audio pulses electrical apparatus

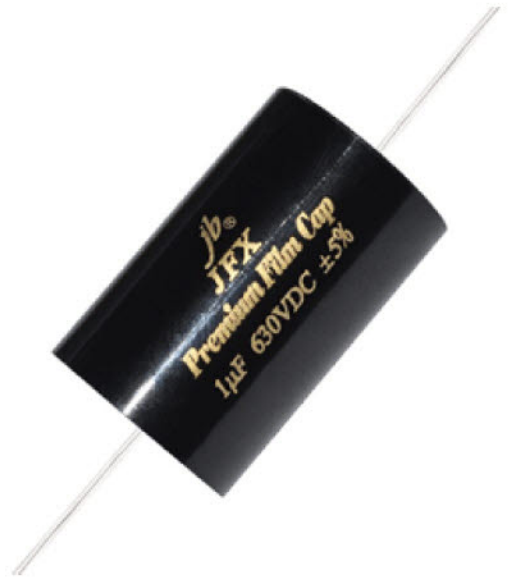
Specifications

Passive flammability	GB10191-88 IEC384-16
Operating temperature	-55°C ~ +85°C
Capacitance range	0.047~100uF
Capacitance tolerance	$\pm 3\%$ 、 $\pm 5\%$ 1KHz
Rated voltage	250V、400V、630V.DC
Withstand voltage	1.5VR 5S
Dissipation factor	≤ 0.0020 1KHz
Insulate the electric resistance	$> 0.33\mu\text{F}$ $\geq 15000\text{M}\Omega$
	$\leq 0.33\mu\text{F}$ $\geq 5000\text{S}$
Leads Diameter	0.6、0.8、1.0、1.2 Tinned Pure Copper

Drawing



Picture



jb Capacitors Company

Distributed in the UK by
 AIT Components Ltd
 w: www.aitcomponents.com
 t: +44 (0) 1903 744988
 e: sales@aitcomponents.com



Premium Metallized Polypropylene Film Capacitors – Axial – JFX

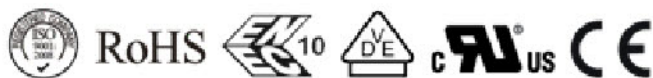
Standard Size (mm) For 0.047uF to 1uF, please consult to our sales for size.

μF	250V		μF	250V		μF	250V		μF	250V	
	OD	L		OD	L		OD	L		OD	L
1.0uF	10.5	21	3.9uF	17.5	26	10uF	25	31	36uF	34.5	46
1.1uF	11	21	4.0uF	17.5	26	11uF	22	36	39uF	35.5	46
1.2uF	12	21	4.3uF	18	26	12uF	23	36	41uF	36	46
1.3uF	12.5	21	4.5uF	18.5	26	13uF	24	36	45uF	37	46
1.5uF	13.5	21	4.7uF	18.5	26	14uF	25	36	47uF	39	48
1.6uF	14	21	5.0uF	17	31	15uF	25.5	36	50uF	40	49
1.8uF	14.5	21	5.1uF	17	31	16uF	26.5	36	51uF	40.5	49
2.0uF	13	26	5.6uF	18	31	18uF	28	36	55uF	42	49
2.2uF	14	26	6.0uF	18.5	31	20uF	29.5	36	56uF	42.5	49
2.4uF	14	26	6.2uF	19	31	22uF	31.5	36	62uF	39.5	59
2.5uF	14.5	26	6.8uF	19.5	31	24uF	32	36	68uF	41.5	59
2.7uF	14.5	26	7.0uF	20	31	27uF	34	36	75uF	43.5	59
3.0uF	15.5	26	7.5uF	20.5	31	28uF	30	46	82uF	45	59
3.3uF	16.5	26	8.0uF	21	31	30uF	30.5	46	91uF	47.5	59
3.5uF	16.5	26	8.2uF	21.5	31	43uF	32	46	100uF	49.5	59
3.6uF	16.5	26	9.1uF	22.5	31	33uF	33	46	--	--	--
μF	400V		μF	400V		μF	630V		μF	630V	
	OD	L		OD	L		OD	L		OD	L
1.0uF	13	21	7.0uF	24	31	1.0uF	17	26	5.0uF	32	36
1.1uF	13.5	21	7.5uF	24.5	31	1.1uF	18	26	5.1uF	29	36
1.2uF	14.5	21	8.0uF	22.5	36	1.2uF	18.5	26	5.6uF	30.5	36
1.3uF	12.5	26	8.2uF	23	36	1.3uF	19.5	26	6.0uF	31.5	36
1.5uF	13.5	26	9.1uF	24.5	36	1.5uF	21	26	6.2uF	32	36
1.6uF	14	26	10uF	25.5	36	1.6uF	21.5	26	6.8uF	33.5	36
1.8uF	14.5	26	11uF	27	36	1.8uF	22.5	26	7.0uF	34	36
2.0uF	15	26	12uF	27.5	36	2.0uF	21	31	7.5uF	35	36
2.2uF	16	26	13uF	25	46	2.2uF	22	31	8.0uF	31	46
2.4uF	16.5	26	14uF	26	46	2.4uF	23	31	8.2uF	31.5	46
2.5uF	17	26	15uF	26	46	2.5uF	23	31	9.1uF	33	46
2.7uF	17.5	26	16uF	27.5	46	2.7uF	24	31	10.0uF	34.5	46
3.0uF	18.5	26	18uF	29	46	3.0uF	25	31	11.0uF	36	46
3.3uF	19	26	20uF	30.5	46	3.3uF	26.5	31	12.0uF	37.5	46
3.5uF	17.5	31	22uF	32	46	3.5uF	27	31	13.0uF	40	49
3.6uF	17.5	31	24uF	33.5	46	3.6uF	27.5	31	14.0uF	37	59
3.9uF	18	31	27uF	35.5	46	3.9uF	26	36	15.0uF	38	59
4.0uF	18.5	31	28uF	36	46	4.0uF	26	36	16.0uF	39	59
4.3uF	19	31	30uF	37	46	4.3uF	27	36	18.0uF	41.5	59
4.5uF	19.5	31	33uF	40	49	4.5uF	27.5	36	20.0uF	43.5	59
4.7uF	19.5	31	36uF	41.5	49	4.7uF	28	36	--	--	--

Please visit our website to get more update data, those data & specification are subject to change without notice.

X2 Metallized Polypropylene Film Capacitor – JFV

Interference Suppression Capacitors (Class X2, 275VAC / 305VAC / 310VAC)



Features

- Non-inductive, (UL940V-0) plastic case sealed with epoxy resin.
- Provides interference suppression with VDE, ENEC and UL approvals. uick transient design

Specifications

Operating Temperature	-40°C ~ +110°C
Voltage Rating	250VAC, 275VAC, 305VAC, 310VAC
Maximum Continuous	560VDC for 275VAC ;
DC Voltage (at 110°C)	630VDC for 305VAC and 310VAC.
Capacitance Range	0.001 ~ 2.2 μ F
Capacitance Tolerance	± 10% standard,
Package	Bulk, Ammo Tape Package
Insulation Resistance	CR ≤ 0.33 μ F, I.R ≥ 15,000M Ω
Dissipation Factor	tg δ ≤ 0.0010 1KHz
Testing Voltage	4.3UR DC /5s
Lead Length	Standard 20.0+/-1mm, long leads and cut leads on request.

Safety Approvals:

	LOGO MARK	COUNTRY	APPROVAL STANDARD	APPROVAL NO.	CLASS	CAP. RANGE	RATED VOLTAGE
VDE		GERMANY	DIN EN 60384-14 (VDE 0565 Teil 1-1)	40035534	X2	0.001 to 2.2 μ F	275/305/310V.AC
ENEC		EUROPE	EN 60384-14; IEC 60384-14	40035534	X2	0.001 to 2.2 μ F	275/305/310V.AC
cUL, UL		CANADA/ U.S.A	UL/IEC 60384-14	E344970	X2	0.001 to 2.2 μ F	250/275/305/310 V.AC

ENEC mark has replaced all the following European National marks:



 **Capacitors Company**

Distributed in the UK by
AIT Components Ltd
w: www.aitcomponents.com
t: +44 (0) 1903 744988
e: sales@aitcomponents.com



X2 Metallized Polypropylene Film Capacitor – JFV

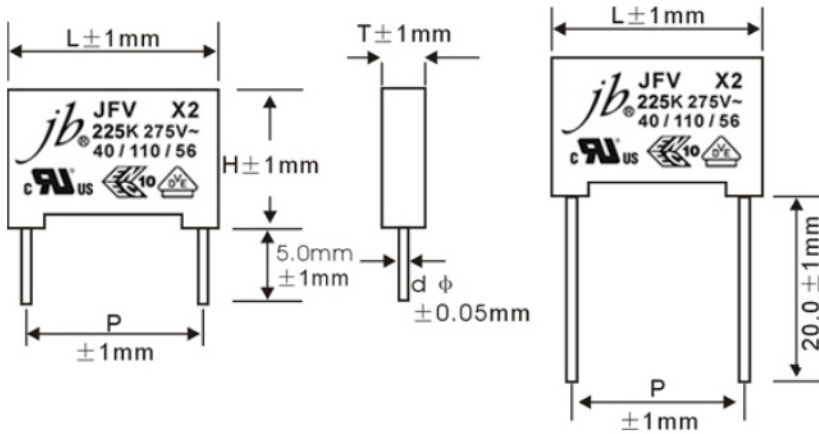
Interference Suppression Capacitors (Class X2, 275VAC / 305VAC / 310VAC)



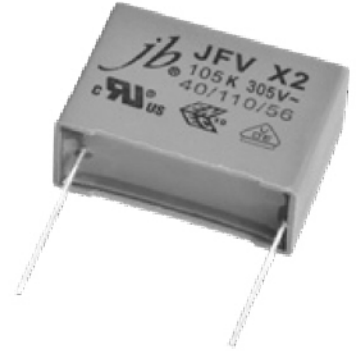
RoHS



Drawing



Picture



Dimensions Table for 275VAC, 305VAC, 310VAC: B type

(Unit : mm)

CAP	L±1.0	T±1.0	H±1.0	P±1.0	Part# Bulk Package (Loose in Box)
0.047	13	5	11	10	JFV0A1473K100000B
0.056	13	6	12	10	JFV0A1563K100000B
0.068	13	6	12	10	JFV0A1683K100000B
0.082	13	6	12	10	JFV0A1823K100000B
0.1	13	6	12	10	JFV0A1104K100000B
0.18	18	7.5	13.5	15	JFV0A1184K150000B
0.22	18	8.5	14.5	15	JFV0A1224K150000B
0.33	18	10	15.8	15	JFV0A1334K150000B
0.47	18	11	19	15	JFV0A1474K150000B
0.56	26.5	10	19	22.5	JFV0A1564K225000B
0.68	26.5	10	19	22.5	JFV0A1684K225000B
0.82	26.5	10	19	22.5	JFV0A1824K225000B
1	26.5	10	19	22.5	JFV0A1105K225000B



X2 Metallized Polypropylene Film Capacitor – JFV

Interference Suppression Capacitors (Class X2, 275VAC / 305VAC / 310VAC)

Dimensions Table for 275VAC, 305VAC, 310VAC: A type

(Unit : mm)

CAP	L±1.0	T±1.0	H±1.0	P±1.0	Part# Bulk Package (Loose in Box)
0.001	13	5	11	10	JFV0A1102K100000B
0.0022	13	5	11	10	JFV0A1222K100000B
0.0027	13	5	11	10	JFV0A1272K100000B
0.0033	13	5	11	10	JFV0A1332K100000B
0.0039	13	5	11	10	JFV0A1392K100000B
0.0047	13	5	11	10	JFV0A1472K100000B
0.0056	13	5	11	10	JFV0A1562K100000B
0.0068	13	5	11	10	JFV0A1682K100000B
0.0082	13	5	11	10	JFV0A1822K100000B
0.01	13	5	11	10	JFV0A1103K100000B
0.012	13	5	11	10	JFV0A1123K100000B
0.015	13	5	11	10	JFV0A1153K100000B
0.018	13	5	11	10	JFV0A1183K100000B
0.022	13	5	11	10	JFV0A1223K100000B
0.022	18	5	11	15	JFV0A1223K150000B
0.027	13	5	11	10	JFV0A1273K100000B
0.033	13	5	11	10	JFV0A1333K100000B
0.039	13	5	11	10	JFV0A1393K100000B
0.047	18	5	11	15	JFV0A1473K150000B
0.056	18	5	11	15	JFV0A1563K150000B
0.068	18	5	11	15	JFV0A1683K150000B
0.082	18	6	12	15	JFV0A1823K150000B
0.1	18	6	12	15	JFV0A1104K150000B
0.12	18	7.5	13.5	15	JFV0A1124K150000B
0.15	18	7.5	13.5	15	JFV0A1154K150000B
0.15	26.5	7	16.5	22.5	JFV0A1154K225000B
0.18	26.5	7	16.5	22.5	JFV0A1184K225000B
0.22	26.5	7	16.5	22.5	JFV0A1224K225000B
0.27	26.5	7	16.5	22.5	JFV0A1274K225000B
0.33	26.5	7	16.5	22.5	JFV0A1334K225000B
0.47	26.5	10	19	22.5	JFV0A1474K225000B
0.47	31.5	10.8	19.5	27.5	JFV0A1474K275000B
0.56	31.5	10.8	19.5	27.5	JFV0A1564K275000B
0.68	31.5	10.8	19.5	27.5	JFV0A1684K275000B
0.82	31.5	10.8	19.5	27.5	JFV0A1824K275000B
1	31.5	13	22	27.5	JFV0A1105K275000B
1.5	31.5	13	22	27.5	JFV0A1155K275000B
2.2	31.5	13	22	27.5	JFV0A1225K275000B