



POWER SUPPLY

Mounted Power Supply Series

PFC Power Supply Series

Din-Rail Power Supply Series

Open-Frame Power Supply Series

Industry-Specific Power Supply

Distributed in the UK by

AiT
Components Ltd

t: +44 (0)1903 744988

w: www.aitcomponents.com

e: sales@aitcomponents.com





ECU Electronics Industrial Co. Ltd was established in 1992, which was invested by NO. 38 Research Institute of China Electronics Technology Group Corp. ECU has been qualified ISO9001, ISO14001, OHSAS18001, GJB9001 system certifications. Many of our products have obtained international certifications such as CQC, CCC, CB, UL, CSA, CE, TUV etc. Series of industrial power supply we manufactured are exported worldwide.



CE CB



ISO14001

OHSAS18001

ISO9001

GJB9001

All ECU Power Supplies are ROHS compliant.

Contents

Mounted Power Supply

EPR Series _____	02-08
15W 、25W、35W、50W、75W、100W、150W	
ESP Series _____	09-13
60W、 100W 、200W、250W、350W	
Security ESP Series _____	14-20
20W(A)、42W(A)、70W(A)、20W、42W、70W、140W	

PFC Power Supply

ESF Series _____	21-24
75W 、 100W 、 150W 、 200W	
ESFG Series _____	25
350W	

Din-Rail Power Supply

EDA Series _____	26-30
45W、75W、 120W 、240W、480W	
EDR Series _____	31-34
10W、30W、60W、100W	

Open-Frame Power Supply

OP Series _____	35-39
10~30W、30~60W、12W、50W、60W	

Industry-Specific Power Supply

Communication Power Supply Series

ECP Series _____	40-42
350W 、500W、700W	

LED Display Power Supply Series

OP Series _____	43
25W、40W	

LCD Inverter Power Supply Series

EINV Series _____	44
01、02、04、06	

Power Industry Series

OP Series _____	45-46
15D 、 18T	

Special Industry Series

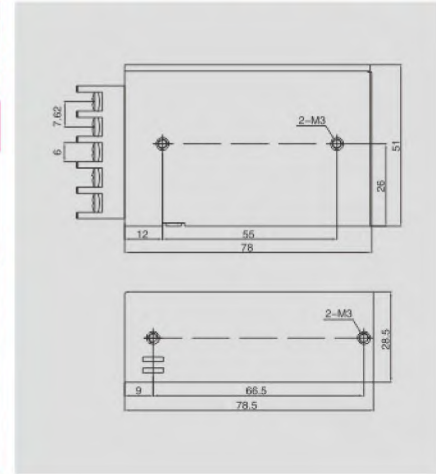
EUP Series _____	47
200W	

LED Driver Series

Constant current / Constant current+Constant voltage _____	48
--	----

MOUNTED POWER SUPPLY

EPR Series



Product features

- Universal AC input / full range
- Power on indication
- Protections: Overload / Short circuit
- Compact, High efficiency, High reliability
- 100% full load burn-in test
- 2 years warranty

Specifications

Input voltage	88~264VAC, 124~370VDC
Input frequency	47~63Hz
Inrush current	30A@230VAC full load cold start
Hold up time	≥20ms@230VAC full load
Overload protection	110%~180% auto-recovery
Operating temperature	-20~70°C (refer to output derating curve)
Safety standard	UL60950-1
EMC standard	EN55022 Class B, EN55024
Withstand voltage	I/P~O/P: 1.5kVAC, 1min I/P~FG: 1.5kVAC, 1min O/P~FG: 0.5kVAC, 1min
Weight	0.16kg/pcs

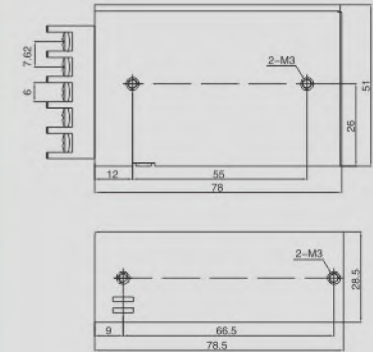
P/N	Output	Tol.	R & N	Effi.	Load Regulation	DC adjustment range
EPR-15-5	5V, 3A	±3%	80mV	76%	±2%	4.75V~5.25V
EPR-15-12	12V, 1.25A	±3%	120mV	79%	±2%	10.8V~13.2V
EPR-15-24	24V, 0.63A	±3%	120mV	81%	±2%	21.6V~26.4V
EPR-15-48	48V, 0.32A	±3%	200mV	83%	±2%	43.2V~52.8V

EPR Series



25W 单路输出
25W Single Output

Size (L*W*H):
78mm x 51mm x 28mm



Product features

- Universal AC input / full range
- Power on indication
- Protections: Overload / Short circuit
- Compact, High efficiency, High reliability
- 100% full load burn-in test
- 2 years warranty

Specifications

Input voltage	88~264VAC, 124~370VDC
Input frequency	47~63Hz
Inrush current	30A@230VAC full load cold start
Hold up time	≥20ms@230VAC full load
Overload protection	110%~180% auto-recovery
Operating temperature	-20~70°C (refer to output derating curve)
Safety standard	UL60950-1
EMC standard	EN55022 Class B, EN55024
Withstand voltage	I/P-O/P: 1.5kVAC, 1min I/P-FG: 1.5kVAC, 1min O/P-FG: 0.5kVAC, 1min
Weight	0.17kg/pcs

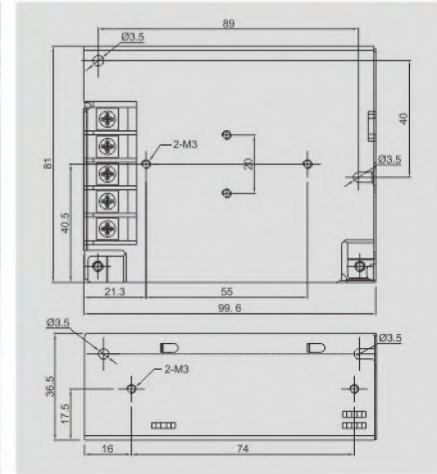
P/N	Output	Tol.	R & N	Effi.	Load Regulation	DC adjustment range
EPR-25-5	5V, 5A	±3%	80mV	76%	±2%	4.75V~5.25V
EPR-25-12	12V, 2.1A	±3%	120mV	79%	±2%	10.8V~13.2V
EPR-25-24	24V, 1.1A	±3%	120mV	81%	±2%	21.6V~26.4V
EPR-25-48	48V, 0.57A	±3%	200mV	83%	±2%	43.2V~52.8V

EPR Series



35W 单路输出 35W Single Output

Size (L*W*H):
99mm x 81mm x 36mm



Product features

- Universal AC input / full range
- Power on indication
- Protections: Overload / Over voltage / Short circuit
- Compact, High efficiency, High reliability
- 100% full load burn-in test
- 2 years warranty

Specifications

Input voltage	88~264VAC, 124~370VDC
Input frequency	47~63Hz
Inrush current	30A@230VAC full load cold start
Hold up time	≥20ms@230VAC full load
Overload protection	110%~150% auto-recovery
Over voltage protection	110%~145%
Operating temperature	-20~70°C (refer to output derating curve)
Safety standard	UL60950-1, TUV EN60950-1
EMC standard	EN55022 Class B, EN55024
Withstand voltage	I/P-O/P: 1.5kVAC, 1min I/P-FG: 1.5kVAC, 1min O/P-FG: 0.5kVAC, 1min
Weight	0.27kg/pcs

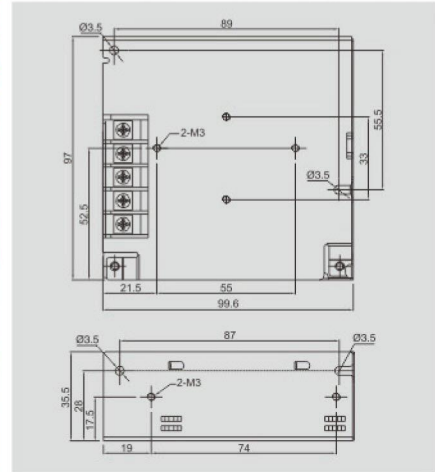
P/N	Output	Tol.	R & N	Effi.	Load Regulation	DC adjustment range
EPR-35-5	5V, 5A	±3%	80mV	76%	±2%	4.75V~5.25V
EPR-35-12	12V, 3A	±3%	120mV	81%	±2%	10.8V~13.2V
EPR-35-15	15V, 2.3A	±3%	120mV	81%	±2%	13.5V~16.5V
EPR-35-24	24V, 1.5A	±3%	120mV	83%	±2%	21.6V~26.4V
EPR-35-36	36V, 0.9A	±3%	200mV	83%	±2%	32.4V~39.6V
EPR-35-48	48V, 0.8A	±3%	200mV	84%	±2%	43.2V~52.8V

EPR Series



50W 单路输出
50W Single Output

Size (L*W*H):
99mm x 97mm x 36mm



Product features

- Universal AC input / full range
- Power on indication
- Protections: Overload / Over voltage / Short circuit
- Compact, High efficiency, High reliability
- 100% full load burn-in test
- 2 years warranty

Specifications

Input voltage	88~264VAC, 124~370VDC
Input frequency	47~63Hz
Inrush current	30A@230VAC full load cold start
Hold up time	≥20ms@230VAC full load
Overload protection	110%~150% auto-recovery
Over voltage protection	110%~145%
Operating temperature	-20~70°C (refer to output derating curve)
Safety standard	UL60950-1, TUV EN60950-1
EMC standard	EN55022 Class B, EN55024
Withstand voltage	I/P-O/P: 1.5kVAC, 1min I/P-FG: 1.5kVAC, 1min O/P-FG: 0.5kVAC, 1min
Weight	0.31kg/pcs

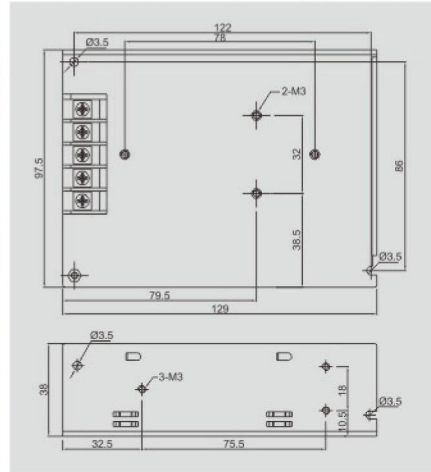
P/N	Output	Tol.	R & N	Effi.	Load Regulation	DC adjustment range
EPR-50-5	5V, 8A	±3%	80mV	77%	±2%	4.75V~5.25V
EPR-50-12	12V, 4.2A	±3%	120mV	81%	±2%	10.8V~13.2V
EPR-50-15	15V, 3.3A	±3%	120mV	81%	±2%	13.5V~16.5V
EPR-50-24	24V, 2.2A	±3%	120mV	84%	±2%	21.6V~26.4V
EPR-50-36	36V, 1.3A	±3%	120mV	84%	±2%	32.4V~39.6V
EPR-50-48	48V, 1.1A	±3%	200mV	86%	±2%	43.2V~52.8V

EPR Series



75W 单路输出 75W Single Output

Size (L*W*H):
129mm x 97mm x 38mm



Product features

- Universal AC input / full range
- Power on indication
- Protections: Overload / Over voltage / Short circuit
- Compact, High efficiency, High reliability
- 100% full load burn-in test
- 2 years warranty

Specifications

Input voltage	88~264VAC, 124~370VDC
Input frequency	47~63Hz
Inrush current	30A@230VAC full load cold start
Hold up time	≥20ms@230VAC full load
Overload protection	110%~150% auto-recovery
Over voltage protection	110%~145%
Operating temperature	-20~70°C (refer to output derating curve)
Safety standard	UL60950-1
EMC standard	EN55022 Class B, EN55024
Withstand voltage	I/P-O/P: 1.5kVAC, 1min I/P-FG: 1.5kVAC, 1min O/P-FG: 0.5kVAC, 1min
Weight	0.41kg/pcs

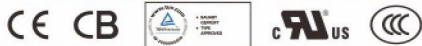
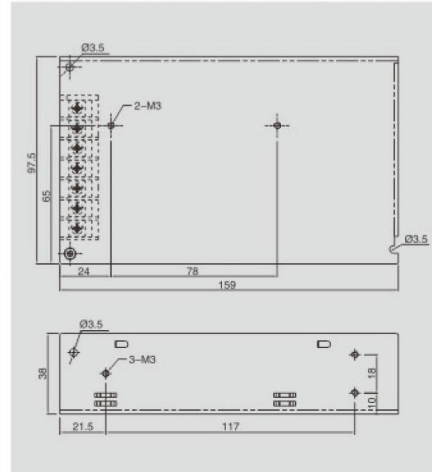
P/N	Output	Tol.	R & N	Effi.	Load Regulation	DC adjustment range
EPR-75-5	5V, 12A	±3%	80mV	76%	±2%	4.75V~5.25V
EPR-75-12	12V, 6.2A	±3%	120mV	81%	±2%	10.8V~13.2V
EPR-75-15	15V, 5A	±3%	120mV	81%	±2%	13.5V~16.5V
EPR-75-24	24V, 3.2A	±3%	120mV	84%	±2%	21.6V~26.4V
EPR-75-36	36V, 2.1A	±3%	120mV	84%	±2%	32.4V~39.6V
EPR-75-48	48V, 1.6A	±3%	200mV	86%	±2%	43.2V~52.8V

EPR Series



100W 单路输出
100W Single Output

Size (L*W*H):
159mm x 97mm x 38mm



Product features

- Universal AC input / full range
- Power on indication
- Protections: Overload / Over voltage / Short circuit
- Compact, High efficiency, High reliability
- 100% full load burn-in test
- 2 years warranty

Specifications

Input voltage	88~264VAC, 124~370VDC
Input frequency	47~63Hz
Inrush current	>35A@230VAC full load cold start
Hold up time	≥20ms@230VAC full load
Overload protection	110%~150% auto-recovery
Over voltage protection	110%~145%
Operating temperature	-20~70℃ (refer to output derating curve)
Safety standard	UL60950-1, TUV EN60950-1
EMC standard	EN55022 Class B, EN55024
Withstand voltage	I/P-O/P: 1.5kVAC, 1min I/P-FG: 1.5kVAC, 1min O/P-FG: 0.5kVAC, 1min
Weight	0.51kg/pcs

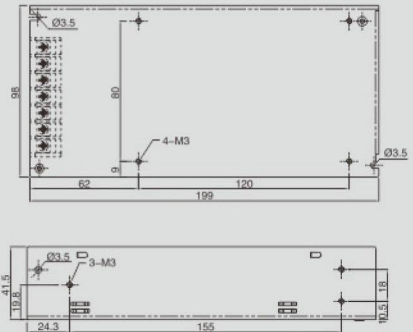
P/N	Output	Tol.	R & N	Effi.	Load Regulation	DC adjustment range
EPR-100-5	5V, 14A	±3%	80mV	76%	±2%	4.75V~5.25V
EPR-100-12	12V, 8.5A	±3%	120mV	81%	±2%	10.8V~13.2V
EPR-100-15	15V, 6.6A	±3%	120mV	81%	±2%	13.5V~16.5V
EPR-100-24	24V, 4.5A	±3%	120mV	84%	±2%	21.6V~26.4V
EPR-100-36	36V, 2.7A	±3%	200mV	84%	±2%	32.4V~39.6V
EPR-100-48	48V, 2.3A	±3%	200mV	84%	±2%	43.2V~52.8V

EPR Series



150W 单路输出
150W Single Output

Size (L*W*H):
199mm x 98mm x 41mm



Product features

- AC input selectable by switch
- Power on indication
- Protections: Overload / Over voltage / Short circuit
- Compact, High efficiency, High reliability
- 100% full load burn-in test
- 2 years warranty

Specifications

Input voltage	88~132VAC, 176~264VAC, 249~370VDC
Input frequency	47~63Hz
Inrush current	35A @ 230VAC full load cold start
Hold up time	≥20ms @ 230VAC full load
Overload protection	110%~150% auto-recovery
Over voltage protection	110%~145%
Operating temperature	-20~70°C (refer to output derating curve)
Safety standard	UL60950-1, TUV EN60950-1
EMC standard	EN55022 Class B, EN55024
Withstand voltage	I/P-O/P: 1.5kVAC, 1min I/P-FG: 1.5kVAC, 1min O/P-FG: 0.5kVAC, 1min
Weight	0.61kg/pcs

P/N	Output	Tol.	R & N	Effi.	Load Regulation	DC adjustment range
EPR-150-5	5V, 22A	±3%	80mV	77%	±2%	4.75V~5.25V
EPR-150-12	12V, 12.5A	±3%	120mV	83%	±2%	10.8V~13.2V
EPR-150-15	15V, 10A	±3%	120mV	83%	±2%	13.5V~16.5V
EPR-150-24	24V, 6.5A	±3%	120mV	86%	±2%	21.6V~26.4V
EPR-150-36	36V, 4.1A	±3%	200mV	86%	±2%	32.4V~39.6V
EPR-150-48	48V, 3.3A	±3%	200mV	87%	±2%	43.2V~52.8V

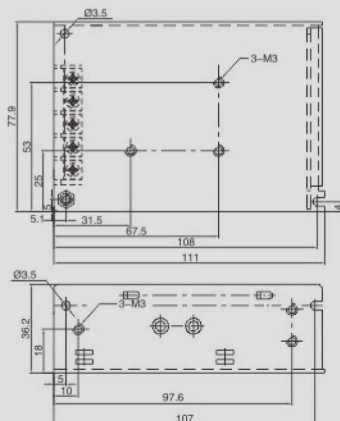
MOUNTED POWER SUPPLY

ESP Series



60W 单路输出
60W Single Output

Size (L*W*H):
111mm x 78mm x 36mm



Product features

- Universal AC input / full range
- Constant voltage or constant current (CV/CC)
- Protections: Short circuit / Overload / Over voltage / Over temperature
- Suitable for led display, industry control
- LED indicator for power on
- 1 year warranty

Specifications

Input voltage	90~264VAC
Input frequency	47~63Hz
Inrush current	40A@230VAC full load cold start
Hold up time	≥20ms@230VAC full load
Overload protection	110%~150% auto-recovery
Over voltage protection	110%~145%
Operating temperature	-20~70°C (refer to output derating curve)
Safety standard	EN60950-1
EMC standard	EN55022 Class B, EN55024
Withstand voltage	I/P-O/P: 1.5kVAC, 1min I/P-FG: 1.5kVAC, 1min O/P-FG: 0.5kVAC, 1min
Weight	0.35kg/pcs

P/N	Output	Tol.	R & N	Effi.	Load Regulation	DC adjustment range
ESP-60-12	12V, 5A	±3%	120mV	84%	±2%	10.8V~13.2V
ESP-60-15	15V, 4A	±3%	120mV	87%	±2%	13.5V~16.5V
ESP-60-18	18V, 3.3A	±3%	150mV	88%	±2%	16.2V~19.8V
ESP-60-24	24V, 2.5A	±3%	240mV	88%	±2%	21.6V~26.4V
ESP-60-36	36V, 1.6A	±3%	240mV	89%	±2%	32.4V~39.6V
ESP-60-48	48V, 1.25A	±3%	240mV	89%	±2%	43.2V~52.8V

ESP Series

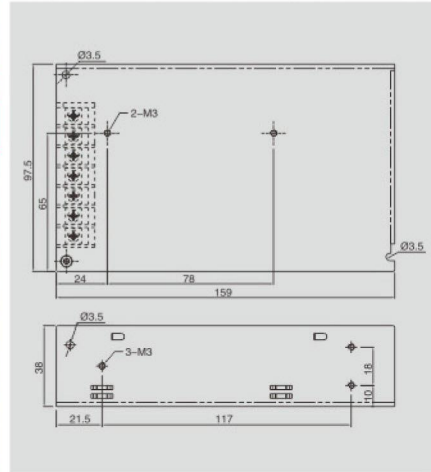


100W 单路输出
100W Single Output

Size (L*W*H):
159mm x 97mm x 38mm



New product



Product features

- AC input selectable by switch
- Constant voltage
- Protections: Short circuit / Overload / Over voltage / Over temperature
- Suitable for industry control
- LED indicator for power on
- 1 year warranty

Specifications

Input voltage	88~132VAC, 176~264VAC
Input frequency	47~63Hz
Inrush current	55A@230VAC full load cold start
Hold up time	≥20ms@230VAC full load
Overload protection	110%~150% auto-recovery
Over voltage protection	110%~145%
Operating temperature	-20~70°C (refer to output derating curve)
Safety standard	EN60950-1
EMC standard	EN55022 Class B, EN55024
Withstand voltage	I/P-O/P: 1.5kVAC, 1min I/P-FG: 1.5kVAC, 1min O/P-FG: 0.5kVAC, 1min
Weight	0.60kg/pcs

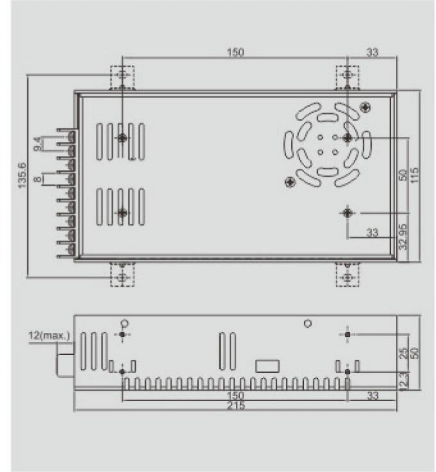
P/N	Output	Tol.	R & N	Effi.	Load Regulation	DC adjustment range
ESP-100-24	24V, 4.5A	±3%	200mV	88%	±2%	21.6V~26.4V

ESP Series



200W 单路输出
200W Single Output

Size (L*W*H):
215mm x 115mm x 50mm



Product features

- AC input selectable by switch
- Protections: Overload / Over voltage / Short circuit
- Fan cooling
- 100% full load burn-in test
- 1 year warranty

Specifications

Input voltage	88~132VAC, 176~264VAC
Input frequency	47~63Hz
Inrush current	<50A full load cold start
Hold up time	≥20ms@230VAC full load
Overload protection	120%~150% constant current limiting, auto-recovery
Over voltage protection	115%~145%
Operating temperature	-20~70°C (refer to output load derating curve)
Safety standard	EN60950-1
EMC standard	EN61000-6-2 EN61000-4-2,3,4,5,6,8,11 EN55022 Class B
Withstand voltage	I/P-O/P: 1.5kVAC, 1min I/P-FG: 1.5kVAC, 1min O/P-FG: 0.5kVAC, 1min
Weight	0.89kg/pcs

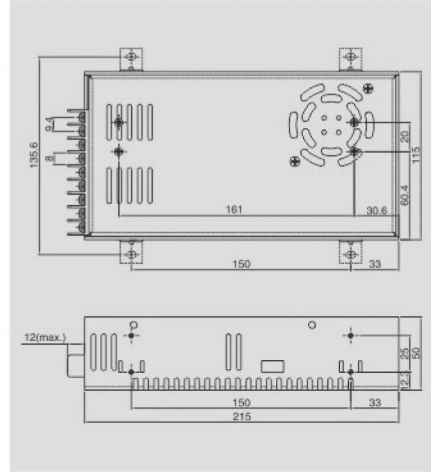
P/N	Output	Tol.	R & N	Effi.	Load Regulation	DC adjustment range
ESP-200-24	24V, 8.3A	± 3%	100mV	83%	± 2%	21.6V~26.4V
ESP-200-36	36V, 5.6A	± 3%	240mV	84%	± 2%	32.4V~39.6V
ESP-200-48	48V, 4.2A	± 3%	240mV	85%	± 2%	43.2V~52.8V

ESP Series



250W 单路输出
250W Single Output

Size (L*W*H):
215mm x 115mm x 50mm



Product features

- AC input selectable by switch
- Protections: Overload / Over voltage / Short circuit
- Fan cooling
- 100% full load burn-in test
- 1 year warranty

Specifications

Input voltage	88~132VAC, 176~264VAC
Input frequency	47~63Hz
Inrush current	<50A full load cold start
Hold up time	≥20ms@230VAC full load
Overload protection	120%~150% constant current limiting, auto-recovery
Over voltage protection	120%~150%
Operating temperature	-20~70°C (refer to output load derating curve)
Safety standard	EN60950-1
EMC standard	EN61000-6-2 EN61000-4-2,3,4,5,6,8,11 EN55022 Class B
Withstand voltage	I/P-O/P: 1.5kVAC, 1min I/P-FG: 1.5kVAC, 1min O/P-FG: 0.5kVAC, 1min
Weight	0.90kg/pcs

P/N	Output	Tol.	R & N	Effi.	Load Regulation	DC adjustment range
ESP-250-24	24V, 10.5A	± 3%	100mV	83%	± 2%	21.6V~26.4V
ESP-250-36	36V, 6.9A	± 3%	300mV	83%	± 2%	32.4V~39.6V
ESP-250-48	48V, 5.2A	± 3%	300mV	85%	± 2%	43.2V~52.8V

ESP Series

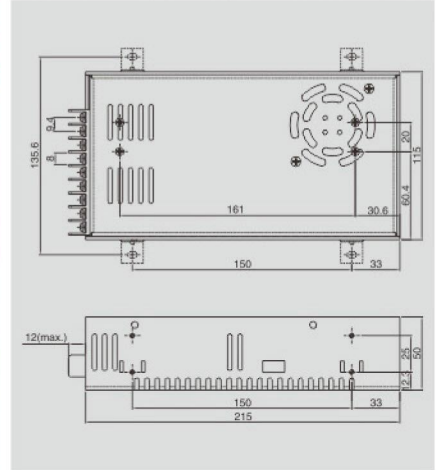


350W 单路输出
350W Single Output

Size (L*W*H):
215mm x 115mm x 50mm



CB



Product features

- AC input selectable by switch
- Protections: Overload / Over voltage / Short circuit
- Fan cooling
- 100% full load burn-in test
- 1 year warranty

Specifications

Input voltage	88~132VAC, 176~264VAC
Input frequency	47~63Hz
Inrush current	<50A full load cold start
Hold up time	≥20ms@230VAC full load
Overload protection	120%~150% constant current limiting, auto-recovery
Over voltage protection	115%~145%
Operating temperature	-20~70°C (refer to output load derating curve)
Safety standard	EN60950-1
EMC standard	EN61000-6-2 EN61000-4-2,3,4,5,6,8,11 EN55022 Class B
Withstand voltage	I/P-O/P: 1.5kVAC, 1min I/P-FG: 1.5kVAC, 1min O/P-FG: 0.5kVAC, 1min
Weight	0.92kg/pcs

P/N	Output	Tol.	R & N	Effi.	Load Regulation	DC adjustment range
ESP-350-24	24V, 14.6A	±3%	100mV	83%	±2%	21.6V~26.4V
ESP-350-36	36V, 9.7A	±3%	240mV	84%	±2%	32.4V~39.6V
ESP-350-48	48V, 7.3A	±3%	240mV	85%	±2%	43.2V~52.8V

MOUNTED POWER SUPPLY

Security Series

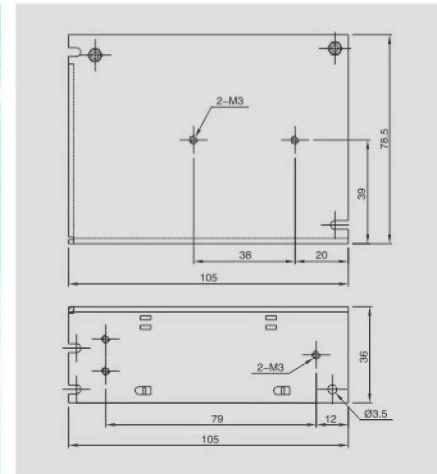


20W 单路全电压充电电源
20W Single Output (Full range input)

Size (L*W*H):
105mm x 78mm x 37mm



CE



Product features

- Universal AC input / full range
- Power on indication
- Air cooling
- Protection for deeply discharged battery
- Protections: Overload / Short circuit
- Metal case, Compact
- 100% full load burn-in test
- 1 year warranty

Specifications

Input voltage	90~264VAC
Input frequency	47~63Hz
Inrush current	40A@220VAC full load cold start
Hold up time	≥20ms@230VAC
Overload protection	105%~180% auto-recovery
Operating temperature	-20~40°C
Safety standard	GB4943-2001, EN60950-1
EMC standard	EN55022 Class B, EN55024
Withstand voltage	I/P-O/P: 1.5kVAC, 1min I/P-FG: 1.5kVAC, 1min O/P-FG: 0.5kVAC, 1min
Weight	0.30kg/pcs

P/N	Output	Tol.	R & N	Effi.	Load Regulation
ESP-20-13.8A	13.8V, 1.5A	± 3%	140mV	80%	± 2%

Security Series

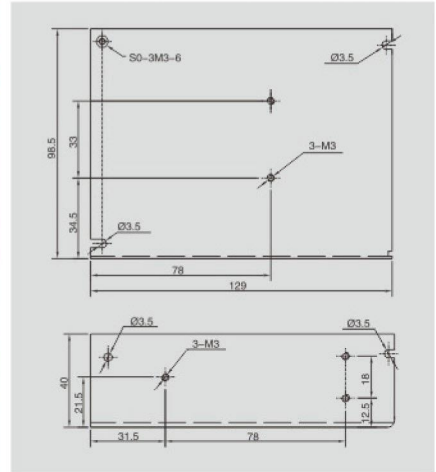


42W 单路全电压充电电源 42W Single Output (Full range input)

Size (L*W*H):
129mm x 98mm x 40mm



CE



Product features

- Universal AC input / full range
- Power on indication
- Air cooling
- Protection for deeply discharged battery
- Protections: Overload / Short circuit
- Metal case, Compact
- 100% full load burn-in test
- 1 year warranty

Specifications

Input voltage	90~264VAC
Input frequency	47~63Hz
Inrush current	40A@220VAC full load cold start
Hold up time	≥20ms@230VAC
Overload protection	105%~180% of the rated output power
Operating temperature	-20~40°C
Safety standard	GB4943-2001, EN60950-1
EMC standard	EN55022 Class B, EN55024
Withstand voltage	I/P-O/P: 1.5kVAC, 1min I/P-FG: 1.5kVAC, 1min O/P-FG: 0.5kVAC, 1min
Weight	0.37kg/pcs

P/N	Output	Tol.	R & N	Effi.	Load Regulation
ESP-42-13.8A	13.8V, 3A	± 3%	140mV	80%	± 2%
ESP-42-27.6A	27.6V, 1.5A	± 3%	240mV	80%	± 2%

Security Series

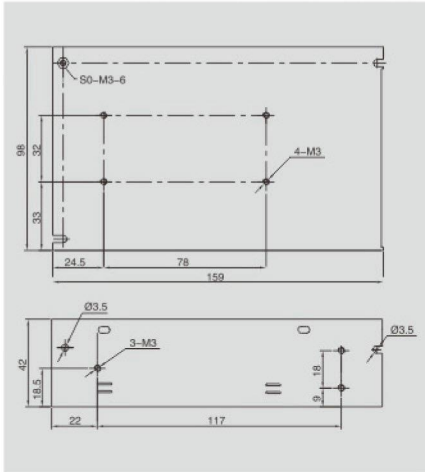


70W 单路全电压充电电源 70W Single Output (Full range input)

Size (L*W*H):
159mm x 98mm x 42mm



CE



Product features

- Universal AC input / full range
- Power on indication
- Air cooling
- Protection for deeply discharged battery
- Protections: Overload / Short circuit
- Metal case, Compact
- 100% full load burn-in test
- 1 year warranty

Specifications

Input voltage	90~264VAC
Input frequency	47~63Hz
Inrush current	40A@220VAC full load cold start
Hold up time	≥20ms@230VAC
Overload protection	105%~180% of the rated output power
Operating temperature	-20~40°C
Safety standard	GB4943-2001, EN60950-1
EMC standard	EN55022 Class B, EN55024
Withstand voltage	I/P-O/P: 1.5kVAC, 1min I/P-FG: 1.5kVAC, 1min O/P-FG: 0.5kVAC, 1min
Weight	0.45kg/pcs

P/N	Output	Tol.	R & N	Effi.	Load Regulation
ESP-70-13.8A	13.8V, 5A	± 3%	140mV	80%	± 2%

Security Series

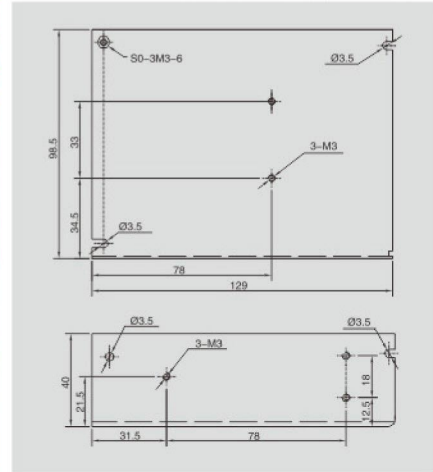


20W 单路充电电源 (230V AC输入)
20W Single Output (230V AC input only)

Size (L*W*H):
129mm x 98mm x 40mm



CE



Product features

- 230VAC input only
- Power on indication
- Metal case
- Protections: Overload / Short circuit
- Battery reverse charge protection
- 100% full load burn-in test
- 1 year warranty

Specifications

Input voltage	195~253VAC
Input frequency	50~60Hz
Inrush current	40A@220VAC full load cold start
Hold up time	≥20ms@230VAC full load
Overload protection	300% of the rated output power
Operating temperature	-20~40°C
Safety standard	EN60950, GB4943-2001
EMC standard	EN55022 Class B, EN55024
Withstand voltage	I/P-O/P: 1.5kVAC, 1min I/P-FG: 1.5kVAC, 1min O/P-FG: 0.5kVAC, 1min
Weight	0.37kg/pcs

P/N	Output	Tol.	R & N	Effi.	Load Regulation
ESP-20-13.8	13.8V, 1.5A	± 3%	140mV	80%	± 2%

Security Series

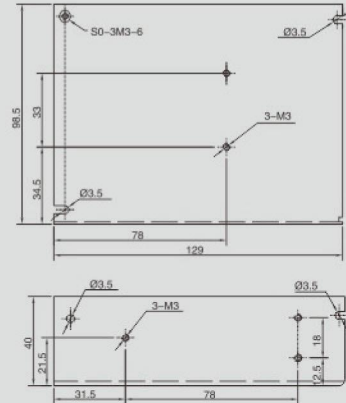


42W 单路充电电源 (230V AC输入)
42W Single Output (230V AC input only)

Size (L*W*H):
129mm x 98mm x 40mm



CE



Product features

- 230VAC input only
- Power on indication
- Metal case
- Protections: Overload / Short circuit
- Battery reverse charge protection
- 100% full load burn-in test
- 1 year warranty

Specifications

Input voltage	195~253VAC
Input frequency	50~60Hz
Inrush current	40A@220VAC full load cold start
Hold up time	≥20ms@230VAC full load
Overload protection	150% of the rated output power
Operating temperature	-20~40°C
Safety standard	EN60950, GB4943-2001
EMC standard	EN55022 Class B, EN55024
Withstand voltage	I/P-O/P: 1.5kVAC, 1min I/P-FG: 1.5kVAC, 1min O/P-FG: 0.5kVAC, 1min
Weight	0.37kg/pcs

P/N	Output	Tol.	R & N	Effi.	Load Regulation
ESP-42-13.8	13.8V, 3A	± 3%	120mV	70%	± 2%
ESP-42-27.6	27.6V, 1.5A	± 3%	240mV	70%	± 2%

Security Series

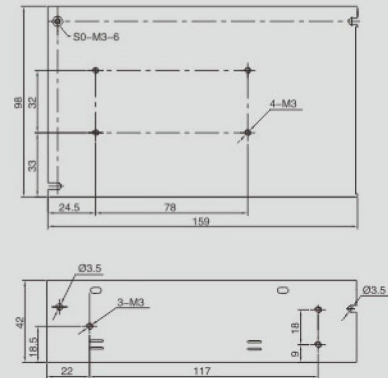


70W 单路充电电源 (230V AC输入)
70W Single Output (230V AC input only)

Size (L*W*H):
159mm x 98mm x 42mm



CE



Product features

- 230VAC input only
- Power on indication
- Metal case
- Protections: Overload / Short circuit
- Battery reverse charge protection
- 100% full load burn-in test
- 1 year warranty

Specifications

Input voltage	195~253VAC
Input frequency	50~60Hz
Inrush current	40A@220VAC full load cold start
Hold up time	≥20ms@230VAC full load
Overload protection	150% of the rated output power
Operating temperature	-20~40°C
Safety standard	EN60950, GB4943-2001
EMC standard	EN55022 Class B, EN55024
Withstand voltage	I/P-O/P: 3kVAC, 1min I/P-FG: 1.5kVAC, 1min O/P-FG: 0.5kVAC, 1min
Weight	0.45kg/pcs

P/N	Output	Tol.	R & N	Effi.	Load Regulation
ESP-70-13.8	13.8V, 5A	± 3%	120mV	76%	± 2%
ESP-70-27.6	27.6V, 2.5A	± 3%	240mV	80%	± 2%

Security Series

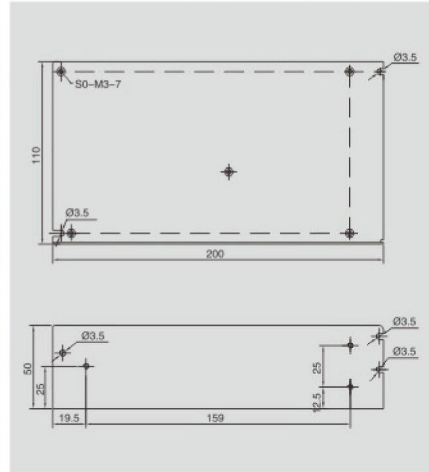


140W 单路充电电源 (230V AC输入)
140W Single Output (230V AC input only)

Size (L*W*H):
200mm x 110mm x 50mm



CE



Product features

- 230VAC input only
- Power on indication
- Metal case
- Protections: Overload / Short circuit
- Battery reverse charge protection
- 100% full load burn-in test
- 1 year warranty

Specifications

Input voltage	195~253VAC
Input frequency	50~60Hz
Inrush current	40A@220VAC full load cold start
Hold up time	≥20ms@230VAC full load
Overload protection	150% of the rated output power
Operating temperature	-20~40°C
Safety standard	EN60950, GB4943-2001
EMC standard	EN55022 Class B, EN55024
Withstand voltage	I/P-O/P: 1.5kVAC, 1min I/P-FG: 1.5kVAC, 1min O/P-FG: 0.5kVAC, 1min
Weight	0.70kg/pcs

P/N	Output	Tol.	R & N	Effi.	Load Regulation
ESP-140-13.8	13.8V, 10A	± 3%	120mV	80%	± 2%
ESP-140-27.6	27.6V, 5A	± 3%	240mV	83%	± 2%

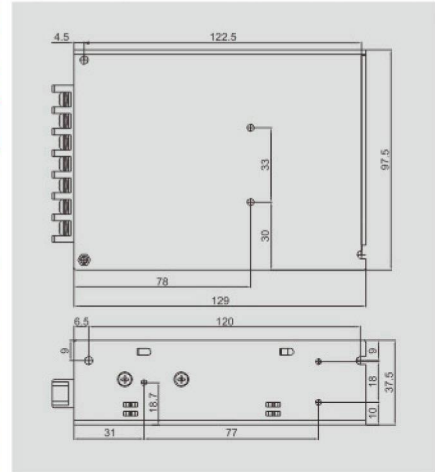
PFC POWER SUPPLY

ESF Series



75W 单路输出具有PFC功能电源
75W Single Output (with PFC)

Size (L*W*H):
129mm x 98mm x 38mm



Product features

- Universal AC input / full range
- PF>0.96@115VAC, >0.93@230VAC
- Built-in remote ON/OFF control
- Standby power consumption ≤0.5W
- Power on indication
- Air cooling
- Protection: Overload / Over voltage / Short circuit / Over temperature
- 100% full load burn-in test
- 2 years warranty

Specifications

Input voltage	90~264VAC
Input frequency	47~63Hz
Inrush current	40A@230VAC 20A@110VAC full load cold start
Hold up time	≥20ms@230VAC full load
Overload protection	105%~150% auto-recovery
Over voltage Protection	105%~140%
Operating temperature	-20~70°C (refer to output load derating curve)
Safety standard	UL60950-1, EN60950-1
EMC standard	EN55022 Class B, EN55024
Withstand voltage	I/P-O/P: 1.5kVAC, 1min I/P-FG: 1.5kVAC, 1min O/P-FG: 0.5kVAC, 1min
Weight	0.42kg/pcs

P/N	Output	Tol.	R & N	Effi.	Load Regulation
ESF-75-5	5V, 15A	± 2.5%	100mV	80%	± 2%
ESF-75-12	12V, 6.3A	± 1.5%	100mV	87%	± 1%
ESF-75-24	24V, 3.2A	± 1.5%	150mV	88%	± 1%
ESF-75-48	48V, 1.5A	± 1.5%	240mV	90%	± 1%

ESF Series

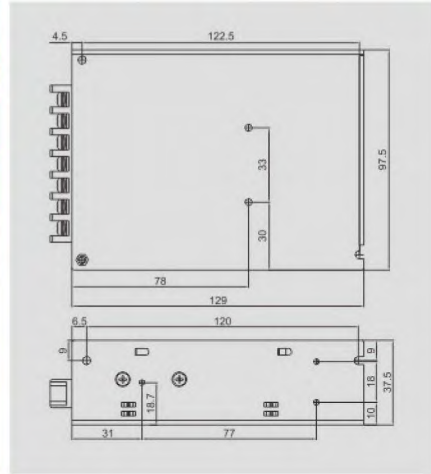


100W 单路输出具有PFC功能电源
100W Single Output (with PFC)

Size (L*W*H):
129mm x 98mm x 38mm



New product



Product features

- Universal AC input / full range
- PF>0.96@115VAC, >0.93@230VAC
- Built-in remote ON/OFF control
- Standby power consumption ≤0.5W
- Power on indication
- Air cooling
- Protection: Overload / Over voltage / Short circuit / Over temperature
- 100% full load burn-in test
- 2 years warranty

Specifications

Input voltage	90~264VAC
Input frequency	47~63Hz
Inrush current	40A@230VAC 20A@110VAC full load cold start
Hold up time	≥20ms@230VAC full load
Overload protection	105%~150% auto-recovery
Over voltage protection	105%~140%
Operating temperature	-20~70°C (refer to output load derating curve)
Safety standard	UL60950-1, EN60950-1
EMC standard	EN55022 Class B, EN55024
Withstand voltage	I/P-O/P: 1.5kVAC, 1min I/P-FG: 1.5kVAC, 1min O/P-FG: 0.5kVAC, 1min
Weight	0.42kg/pcs

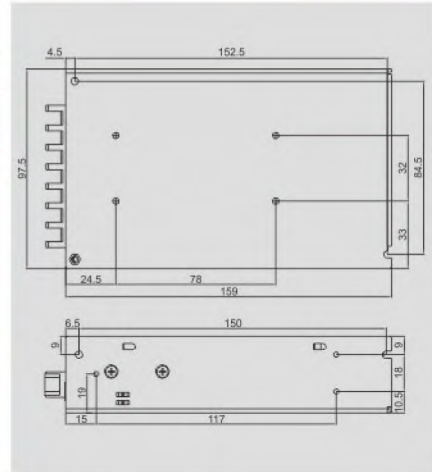
P/N	Output	Tol.	R & N	Effi.	Load Regulation
ESF-100-5	5V, 18A	±2.5%	100mV	80%	±2%
ESF-100-12	12V, 8.4A	±1.5%	100mV	87%	±1%
ESF-100-24	24V, 4.2A	±1.5%	150mV	88.5%	±1%
ESF-100-48	48V, 2.1A	±1.5%	240mV	90%	±1%

ESF Series



150W 单路输出具有PFC功能电源
150W Single Output (with PFC)

Size (L*W*H):
159mm x 97mm x 38mm



Product features

- Universal AC input / full range
- PF>0.96 @ 115VAC, >0.93 @ 230VAC
- Built-in remote ON/OFF control
- Standby power consumption ≤ 0.5W
- Power on indication
- Built-in 5V/0.3A standby output
- Air cooling
- Protection: Overload / Over voltage / Short circuit
- 100% full load burn-in test
- 2 years warranty

Specifications

Input voltage	90~264VAC
Input frequency	47~63Hz
Inrush current	70A @ 230VAC
	35A @ 110VAC full load cold start
Hold up time	≥ 20ms @ 230VAC full load
Overload protection	105%~150% auto-recovery
Over voltage protection	105%~140%
Operating temperature	-20~70°C (refer to output load derating curve)
Safety standard	UL60950-1, EN60950-1
EMC standard	EN55022 Class B, EN55024
Withstand voltage	I/P-O/P: 1.5kVAC, 1min
	I/P-FG: 1.5kVAC, 1min
	O/P-FG: 0.5kVAC, 1min
Weight	0.58kg/pcs

P/N	Output	Tol.	R & N	Effi.	Load Regulation
ESF-150-12	12V, 12.5A	± 1.5%	100mV	87%	± 1%
ESF-150-24	24V, 6.4A	± 1.5%	150mV	88%	± 1%
ESF-150-48	48V, 3.2A	± 1.5%	300mV	90%	± 1%

ESF Series

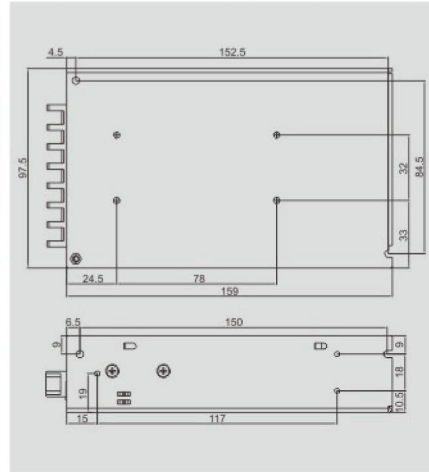


200W 单路输出具有PFC功能电源
200W Single Output (with PFC)

Size (L*W*H):
159mm x 97mm x 38mm



New product



Product features

- Universal AC input / full range
- PF>0.96@115VAC, >0.93@230VAC
- Built-in remote ON/OFF control
- Standby power consumption ≤0.5W
- Power on indication
- Built-in 5V/0.3A standby output
- Air cooling
- Protection: Overload / Over voltage / Short circuit
- 100% full load burn-in test
- 2 years warranty

Specifications

Input voltage	90~264VAC
Input frequency	47~63Hz
Inrush current	70A@230VAC 35A@110VAC full load cold start
Hold up time	≥20ms@230VAC full load
Overload protection	105%~150% auto-recovery
Over voltage protection	105%~140%
Operating temperature	-20~70°C (refer to output load derating curve)
Safety standard	UL60950-1, EN60950-1
EMC standard	EN55022 Class B, EN55024
Withstand voltage	I/P-O/P: 1.5kVAC, 1min I/P-FG: 1.5kVAC, 1min O/P-FG: 0.5kVAC, 1min
Weight	0.58kg/pcs

P/N	Output	Tol.	R & N	Effi.	Load Regulation
ESF-200-12	12V, 16.7A	± 1.5%	100mV	87%	± 1%
ESF-200-24	24V, 8.4A	± 1.5%	150mV	88%	± 1%
ESF-200-48	48V, 4.2A	± 1.5%	300mV	90%	± 1%

PFC POWER SUPPLY

ESFG Series



350W 单路输出
350W Single Output

Size (L*W*H):
235mm x 101mm x 38mm



Product features

- Universal AC input / full range
- Active PFC meets EN61000-3-2
- High efficiency at 90% typical
- Protections: Short circuit / Over load / Over voltage / Over temperature
- Remote voltage sense
- U-bracket low profile: 38mm
- 2 years warranty

Specifications

Input voltage	90~264VAC
Input frequency	47~63Hz
Inrush current	44A@230VAC full load cold start
Hold up time	≥16ms@230VAC full load
Leakage current	2mA max
Total rated output power	300W (Air cooling) 350W (23.5CFM FAN)
Operating temperature	-20~65°C
Safety standard	UL60950-1, EN60950-1
EMC standard	CISPR / FCC Class B
Withstand voltage	I/P-O/P: 3kVAC, 1min I/P-FG: 1.5kVAC, 1min O/P-FG: 0.5kVAC, 1min
Weight	1.07kg/pcs

P/N	DC Output	Output Current		R & N	Tol.	Load Regulation
ESFG-350-24	24V	12.5A	14.6A	150mV	± 2%	± 0.1%
ESFG-350-36	36V	8.3A	9.7A	150mV	± 2%	± 0.1%
ESFG-350-48	48V	6.25A	7.3A	150mV	± 2%	± 0.1%

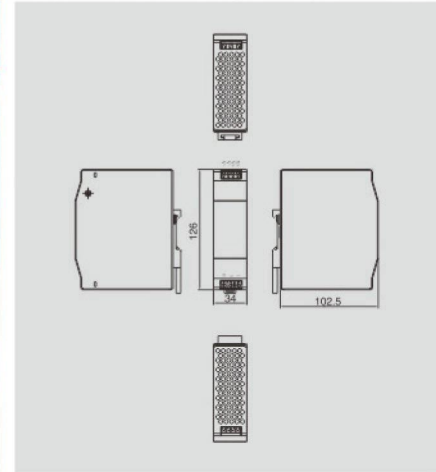
DIN-RAIL POWER SUPPLY

EDA Series



45W 单路输出
45W Single Output

Size (H*W*D):
126mm x 34mm x 102mm



Product features

- Universal AC input / full range
- Power on indication
- Air cooling
- Protection: Overload / Over voltage / Over temperature / Short circuit
- 100% full load burn-in test
- 3 years warranty

Specifications

Input voltage	88~264VAC, 124~370VDC
Input frequency	47~63Hz
Inrush current	35A@230VAC full load cold start
Hold up time	≥20ms@230VAC full load
Overload protection	105%~150% auto-recovery, constant current limiting
Over voltage protection	115%~135%
Operating temperature	-25~70°C (refer to output load derating curve)
Safety standard	EN60950-1, UL508
EMC standard	EN55022 Class B EN61000-6-2
Withstand voltage	I/P-O/P: 3kVAC, 1min I/P-FG: 1.5kVAC, 1min O/P-FG: 0.5kVAC, 1min
Weight	0.31kg/pcs

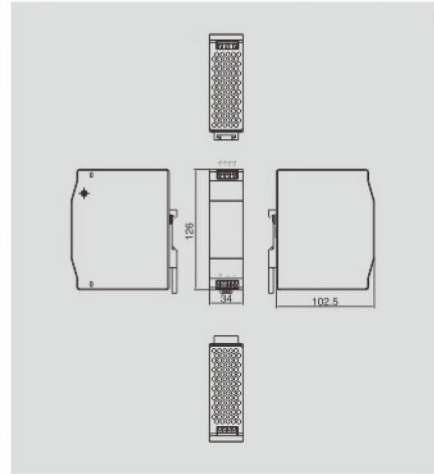
P/N	Output	Tol.	R & N	Effi.	Load Regulation	DC Adjustment Range
EDA-45-5	5V, 5A	±2%	50mV	81%	±2%	5V~5.5V
EDA-45-12	12V, 3.5A	±2%	100mV	85%	±2%	12V~14V
EDA-45-24	24V, 2.0A	±2%	120mV	87%	±2%	24V~28V
EDA-45-48	48V, 1.0A	±2%	200mV	89%	±2%	48V~53V

EDA Series



75W 单路输出
75W Single Output

Size (H*W*D):
126mm x 34mm x 102mm



Product features

- Universal AC input / full range
- Power on indication
- Air cooling
- Protection: Overload / Over voltage / Over temperature / Short circuit
- 100% full load burn-in test
- 3 years warranty

Specifications

Input voltage	88~264VAC, 124~370VDC
Input frequency	47~63Hz
Inrush current	35A@230VAC full load cold start
Hold up time	≥20ms@230VAC full load
Overload protection	105%~150% auto-recovery, constant current limiting
Over voltage protection	115%~135%
Operating temperature	-25~70°C (refer to output load derating curve)
Safety standard	EN60950-1, UL508
EMC standard	EN55022 Class B EN61000-6-2
Withstand voltage	I/P-O/P: 3kVAC, 1min I/P-FG: 1.5kVAC, 1min O/P-FG: 0.5kVAC, 1min
Weight	0.36kg/pcs

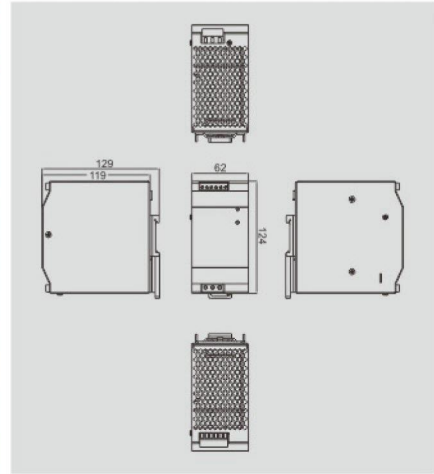
P/N	Output	Tol.	R & N	Effi.	Load Regulation	DC Adjustment Range
EDA-75-5	5V, 5A	±2%	50mV	82%	±2%	5V~5.5V
EDA-75-12	12V, 3.5A	±2%	100mV	86%	±2%	12V~14V
EDA-75-24	24V, 2.0A	±2%	120mV	88%	±2%	24V~28V
EDA-75-48	48V, 1.0A	±2%	200mV	90%	±2%	48V~53V

EDA Series



240W 单路输出
240W Single Output

Size (H*W*D):
124mm x 62mm x 119mm



CE

Product features

- Universal AC input / full range
- PF >0.99@ 115VAC, >0.96@ 230VAC
- High efficiency, high reliability
- Power on indication
- Air cooling
- Built-in DC OK relay contact.
- Optional current Sharing.
- Protections: Overload / Over voltage / Over temperature / Short circuit
- 100% full load burn-in test
- 3 years warranty

Specifications

Input voltage	88~264VAC, 124~370VDC
Input frequency	47~63Hz
Inrush current	65A@230VAC
	35A@115VAC full load cold start
Hold up time	≥20ms@230VAC full load
Overload protection	105%~150% of full load, shut down output voltage with auto-recovery
Over voltage protection	120%~140%
Operating temperature	-25~70℃ (refer to output derating curve)
Safety standard	EN60950-1, UL508
EMC standard	EN55022 Class B
	EN61000-6-2
Withstand voltage	I/P-O/P: 3kVAC, 1min
	I/P-FG: 1.5kVAC, 1min
	O/P-FG: 0.5kVAC, 1min
Weight	0.81kg/pcs

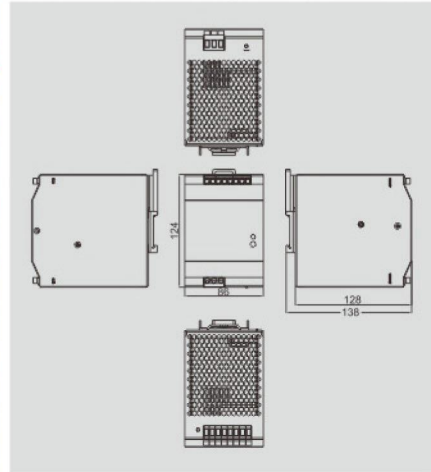
P/N	Output	Tol.	R & N	Effi.	Load Regulation	DC Adjustment Range
EDA-240-24	24V, 10A	± 1%	100mV	92%	± 1%	24V~28V
EDA-240-48	48V, 5A	± 1%	150mV	92%	± 1%	48V~53V

EDA Series



480W 单路输出
480W Single Output

Size (H*W*D):
124mm x 85mm x 128mm



Product features

- Universal AC input / full range
- PF>0.99@115VAC, >0.96@230VAC
- High efficiency, High reliability, Compact case
- Power on indication
- Air cooling
- Built-in DC OK relay contact
- 150% peak load capability
- Optional current Sharing (9+1)
- Protections: Overload / Over voltage / Over temperature / Short circuit
- 100% full load burn-in test
- 3 years warranty

Specifications

Input voltage	88~264VAC, 124~370VDC
Input frequency	47~63Hz
Inrush current	35A@230VAC 20A@115VAC full load cold start
Hold up time	≥20ms@230VAC full load
Overload protection	105%~150% of full load for 3s and shut down output voltage with auto-recovery
Over voltage protection	120%~140%
Operating temperature	-25~70°C (refer to output derating curve)
Safety standard	EN60950-1, UL508
EMC standard	EN55022 Class B EN61000-6-2
Withstand voltage	I/P-O/P: 3kVAC, 1min I/P-FG: 1.5kVAC, 1min O/P-FG: 0.5kVAC, 1min
Weight	1.32kg/pcs

P/N	Output	Tol.	R & N	Effi.	Load Regulation	DC Adjustment Range
EDA-480-24	24V, 20A	± 1%	100mV	94%	± 2%	24V~28V
EDA-480-36	36V, 13.5A	± 1%	150mV	94%	± 2%	36V~40V
EDA-480-48	48V, 10A	± 1%	150mV	94%	± 2%	48V~55V

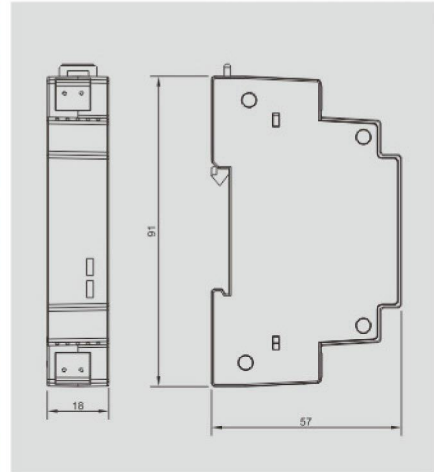
DIN-RAIL POWER SUPPLY

EDR Series



10W 单路输出
10W Single Output

Size (H*W*D):
91mm x 23mm x 57mm



Product features

- Universal AC input / full range
- DC OK indication
- Air cooling
- Protections: Overload / Over voltage / Short circuit
- Plastic case and low cost
- Double Insulation, high security
- 100% full load burn-in test
- 3 years warranty

Specifications

Input voltage	85~264VAC
Input frequency	47~63Hz
Inrush current	15A@115VAC, 30A@230VAC
Hold up time	≥30ms@230VAC full load
Overload protection	120%~200% auto-recovery
Over voltage protection	120%~140%
Operating temperature	-20~70℃
Safety standard	UL60950-1, EN60950-1
EMC standard	EN55022 Class B, En55024
Withstand voltage	I/P-O/P: 3kVAC, 1min I/P-FG: 1.5kVAC, 1min O/P-FG: 0.5kVAC, 1min
Weight	0.20kg/pcs

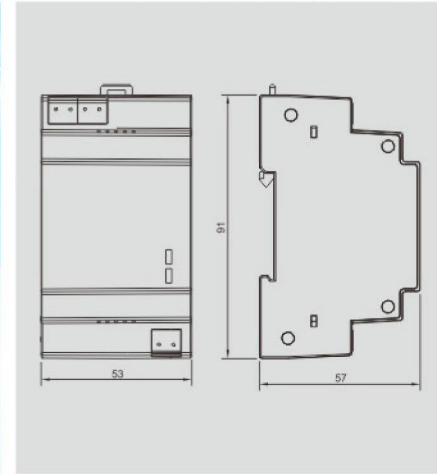
P/N	Output	Tol.	R & N	Effi.	Load Regulation
EDR-10-5	5V, 1.5A	± 5%	50mV	75%	± 2%
EDR-10-12	12V, 0.83A	± 5%	50mV	80%	± 2%
EDR-10-24	24V, 0.42A	± 5%	50mV	80%	± 2%
EDR-10-48	48V, 0.21A	± 5%	50mV	84%	± 2%

EDR Series



30W 单路输出 30W Single Output

Size (H*W*D):
91mm x 53mm x 57mm



Product features

- Universal AC input / full range
- Power on indication
- Air cooling
- Protections: Overload / Over voltage / Over temperature / Short circuit
- Plastic case and low cost
- Double Insulation, high security
- 100% full load burn-in test
- 3 years warranty

Specifications

Input voltage	85~264VAC
Input frequency	47~63Hz
Inrush current	15A@100VAC 30A@200VAC
Hold up time	≥30ms@230VAC full load
Overload protection	120%~200% auto-recovery
Over voltage protection	120%~140%
Operating temperature	-10~70°C
Safety standard	EN60950, UL508
EMC standard	EN55022 Class B EN61000-6-2
Withstand voltage	I/P-O/P: 3kVAC, 1min I/P-FG: 1.5kVAC, 1min O/P-FG: 0.5kVAC, 1min
Weight	0.22kg/pcs

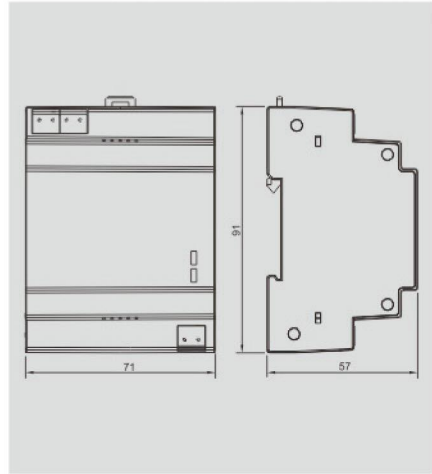
P/N	Output	Tol.	R & N	Effi.	Load Regulation
EDR-30-12	12V, 2.5A	±5%	50mV	83%	±2%
EDR-30-24	24V, 1.25A	±5%	50mV	83%	±2%

EDR Series



60W 单路输出
60W Single Output

Size (H*W*D):
91mm x 71mm x 57mm



Product features

- Universal AC input / full range
- Power on indication
- Air cooling
- Protections: Overload / Over voltage / Over temperature / Short circuit
- Plastic case and low cost
- Double Insulation, high security
- 100% full load burn-in test
- 3 years warranty

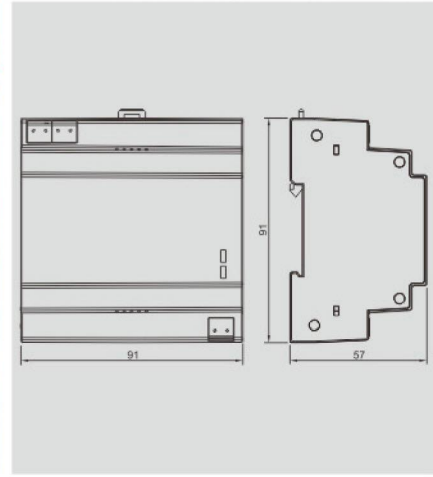
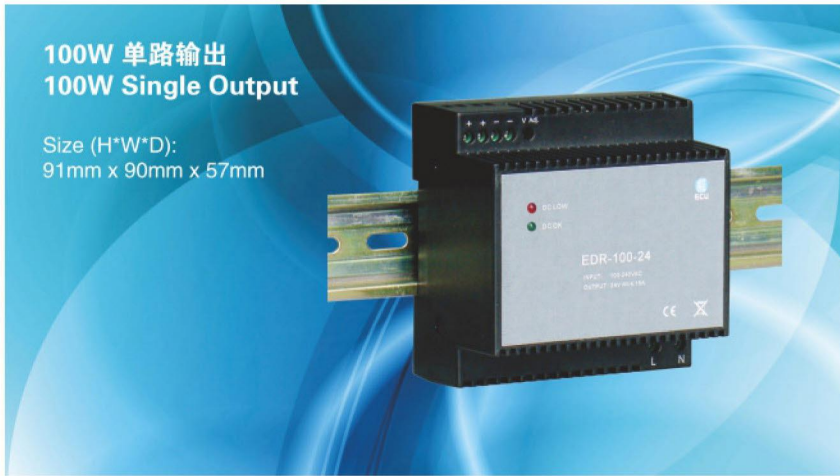
Specifications

Input voltage	85~264VAC
Input frequency	47~63Hz
Inrush current	15A@100VAC 30A@200VAC
Hold up time	≥30ms@230VAC full load
Overload protection	120%~200% auto-recovery
Over voltage protection	120%~140%
Operating temperature	-10~70℃
Safety standard	EN60950, UL508
EMC standard	EN55022 Class B EN61000-6-2
Withstand voltage	I/P-O/P: 3kVAC, 1min I/P-FG: 1.5kVAC, 1min O/P-FG: 0.5kVAC, 1min
Weight	0.26kg/pcs

P/N	Output	Tol.	R & N	Effi.	Load Regulation
EDR-60-12	12V, 5A	± 5%	50mV	86%	± 2%
EDR-60-24	24V, 2.5A	± 5%	50mV	86%	± 2%

DIN-RAIL POWER SUPPLY

EDR Series



Product features

- Universal AC input / full range
- Power on indication
- Air cooling
- Protections: Overload / Over voltage / Over temperature / Short circuit
- Plastic case and low cost
- Double Insulation, high security
- 100% full load burn-in test
- 3 years warranty

Specifications

Input voltage	85~264VAC
Input frequency	47~63Hz
Inrush current	15A@100VAC 30A@200VAC
Hold up time	≥30ms@230VAC full load
Overload protection	120%~200% auto-recovery
Over voltage protection	120%~140%
Operating temperature	-10~70°C
Safety standard	EN60950, UL508
EMC standard	EN55022 Class B EN61000-6-2
Withstand voltage	I/P-O/P: 3kVAC, 1min I/P-FG: 1.5kVAC, 1min O/P-FG: 0.5kVAC, 1min
Weight	0.38kg/pcs

P/N	Output	Tol.	R & N	Effi.	Load Regulation
EDR-100-12	12V, 8.33A	±5%	50mV	86%	±2%
EDR-100-24	24V, 4.17A	±5%	50mV	86%	±2%

OPEN-FRAME POWER SUPPLY

OP Series



10~30W 单路输出
10~30W Single Output

Size (L*W*H):
101.6mm x 50.8mm x 33mm



Product features

Universal AC input / full range
Protections: Overload / Over voltage / Short circuit
100% full load burn-in test
2 years warranty

Specifications

Input voltage	90~264VAC
Output voltage	24VDC
Input frequency	47~63Hz
Operating temperature	-20~70°C
Storage temperature	-45~90°C
R&N	≤240mV
Voltage regulation	±3%
Efficiency	>82%
Safety standards	UL60950-1
EMC standards	GB4943-2001 EN55022 Class B, EN55024
Weight	0.11kg/pcs

Open frame power is commonly made to meet custom needs, such as dimension to fit the internal space of clients' machine. Considering the delivery and price, we suggest you to use standard ones in our manual. Meanwhile, we also accept customization.

OP Series



30~60W 单路输出
30~60W Single Output

Size (L*W*H):
101.6mm x 50.8mm x 33mm



Product features

Universal AC input / full range
Protections: Overload / Over voltage / Short circuit
100% full load burn-in test
2 years warranty

Specifications

Input voltage	90~264VAC
Output voltage	24VDC
Input frequency	47~63Hz
Operating temperature	-25~70°C
Storage temperature	-45~90°C
R&N	≤240mV
Voltage regulation	±3%
Efficiency	>82%
Safety standards	UL60950-1
EMC standards	GB4943-2001 EN55022 Class B, EN55024
Weight	0.30kg/pcs

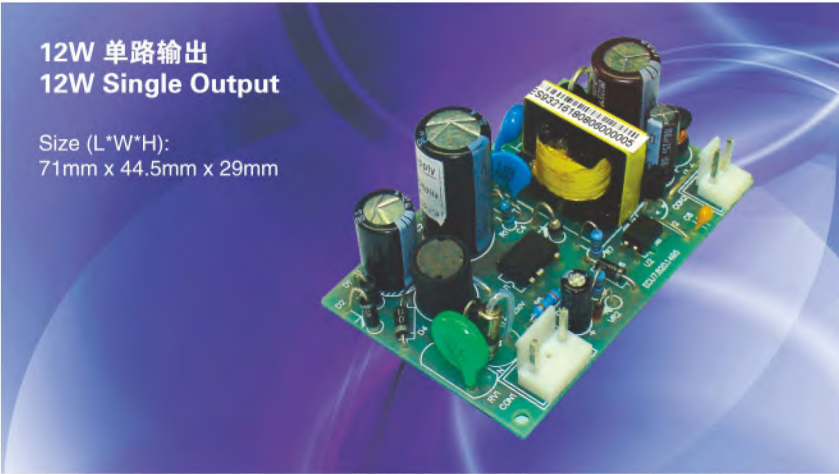
ECU devotes to service our customers with power supplies and solutions of high efficiency and high reliability. If our catalog products cannot meet your requirements, please contact our sales for more information.

OP Series



12W 单路输出
12W Single Output

Size (L*W*H):
71mm x 44.5mm x 29mm



Product features

Universal AC input / full range
Over current / Over voltage protection adjustable
Protections: Over temperature / Short circuit / Short voltage
100% full load burn-in test
2 years warranty

Specifications

Input voltage	90~264VAC
Input frequency	47~63Hz
Inrush current	50A@220VAC 30A@110VAC
Output voltage	12VDC
Hold-up time	≥20ms@230VAC full load
Overload protection	105%~180%
Operating temperature	0~40°C
Storage temperature	-40~70°C
R&N	150mV
Efficiency	≥75%
Safety standards	UL1950-1 EN60950, TUV
EMC standards	CSA 22.2 No.234
Withstand voltage	I/P-O/P: 3kVAC, 1min
Weight	0.05kg/pcs

ECU's power supplies have high reliability because all of them must pass through 100% burn-in test, which lasts for four hours.

OP Series



50W 单路输出 50W Single Output

Size (L*W*H):
195mm x 55mm x 23mm



Product features

Universal AC input / Full range
Protections: Over voltage / Short circuit
100% full load burn-in test
2 years warranty

Specifications

Input voltage	90~264VAC Nominal 100~240VAC
Input frequency	47~63Hz
Inrush current	35A@230VAC full load cold start 18A@115VAC full load cold start
Over voltage protection	110~160%
Operating temperature	0~40°C
Safety standard	UL60950
EMC standard	EN55022 Class B
Withstand voltage	I/P-O/P: 3kVAC, 1min I/P-FG: 1.5kVAC, 1min
Weight	0.24kg/pcs

P/N	Output	Tol.	R & N	Effi.	Load Regulation
OP-50-5	5V, 10A	± 4%	80mV	81%	± 2%
OP-50-12	12V, 4.2A	± 2%	100mV	82%	± 1%
OP-50-24	24V, 2.1A	± 2%	200mV	85%	± 1%

OP Series



60W 单路输出
60W Single Output

Size (L*W*H):
195mm x 55mm x 23mm



Product features

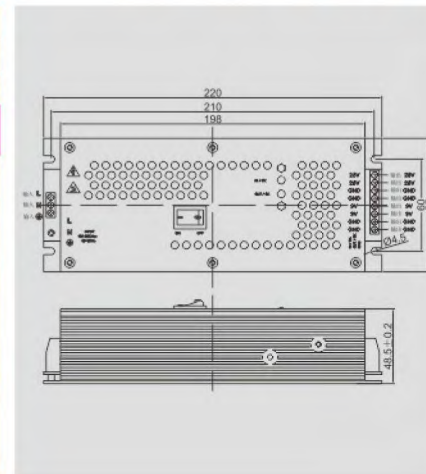
Universal AC input / full range
Power on indication
Cooling by free air convection
Protections: Short circuit / Over voltage / Over load
100% full load burn-in test
2 years warranty

Specifications

Input voltage	90~264VAC
Input frequency	47~63Hz
Inrush current	40A@230VAC 25A@115VAC full load cold start
Hold up time	≥20ms@230VAC full load
Over voltage protection	110~160%
Operating temperature	0~50°C
Safety standards	IEC60950-1
EMC standards	EN55022 Class B, EN55024
Withstand voltage	I/P-O/P: 3kVAC, 1min I/P-FG: 1.5kVAC, 1min O/P-FG: 0.5kVAC, 1min
Connection	3P/6P 3.96mm HX39603-3A HX39603-6A
Weight	0.30kg/pcs

P/N	Output	Tol.	R & N	Effi.	Load Regulation
OP-60-12	12V, 0~5A	± 2%	100mV	80%	± 1%
OP-60-24	24V, 0~2.5A	± 2%	240mV	83%	± 1%

ECP Series



Product features

- AC/OK signal DC/OK signal TTL signal remote control
- Output Protections: Overload / Over voltage / Over temperature / Short circuit
- Input Protections: Over voltage / Under voltage
- MTBF: ≥ 100kHrs at 25°C
- Air cooling

Specifications

- Input voltage 150~300VAC
- Frequency range 50Hz / 60Hz ± 5%
- Max input ac current 6A max at full load
- Inrush current 30A max, 230VAC
- Operate Efficiency ≥ 85%, 230VAC
- Storage temperature -45~85°C
- Operating temperature -40~70°C
- Operating Humidity 10%~90% RH
- Harmonic current Meet GB17625.1-1998 IEC61000-3-2 Class D
- Leakage current Less than 0.75mA, 230VAC
- Input under voltage 140~160VAC
- Input over voltage 300~325VAC

Output Characteristics

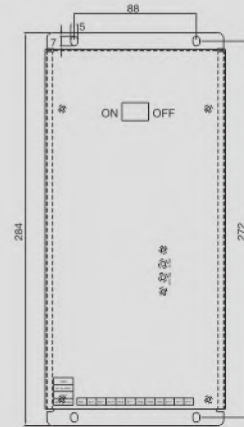
P/N	Output voltage	Rated current	Regulation	OVP	UVP	OCP
ECP-350	+28V	10A	± 2%	30.5~34V	13~20V	11.5~15.5A
	+9V	8A	± 2%	10~13V	6~8.5V	8.3~13.5A

ECP Series



ECP-500W

Size (L*W*H):
284mm x 130mm x 70.5mm



Product features

AC/OK signal DC/OK signal TTL signal remote control
 Output Protections: Overload / Over voltage / Over temperature
 / Short circuit
 Input Protections: Over voltage / Under voltage
 MTBF: $\geq 100\text{kHrs}$ at 25°C
 Forced air cooling by built-in DC fan with fan speed

Specifications

Input voltage	150~300VAC
Frequency range	50Hz / 60Hz $\pm 5\%$
Max input ac current	5A max at full load
Inrush current	30A max, 230VAC
Operate Efficiency	$\geq 88\%$, 230VAC
Storage temperature	$-45\sim 85^{\circ}\text{C}$
Operating temperature	$-40\sim 70^{\circ}\text{C}$
Operating Humidity	10%~90% RH
Harmonic current	Meet GB17625.1-1998 IEC61000-3-2 Class D
Leakage current	Less than 0.75mA, 230VAC
Input under voltage	135~145VAC
Input over voltage	300~325VAC

Output Characteristics

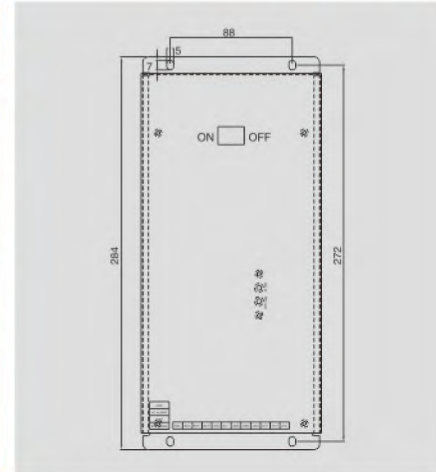
P/N	Output voltage	Rated current	Regulation	OVP	UVP	OCP
ECP-500	+27V	15A	$\pm 2\%$	30.5~34V	13~20V	23~25A
	+9V	8A	$\pm 2\%$	10~13V	6~8.5V	11~13.5A
	+M9V	3A	$\pm 2\%$	10~13V	6~8.5V	5.5~7A
	Battery	0.4A	12.4~12.8	--	10~12V	--

ECP Series



ECP-700W

Size (L*W*H):
284mm x 130mm x 60mm



Product features

- AC/OK signal DC/OK signal TTL signal remote control
- Output Protections: Overload / Over voltage / Over temperature / Short circuit
- Input Protections: Over voltage / Under voltage
- MTBF: ≥ 100 kHrs at 25°C
- Forced air cooling by built-in DC fan with fan speed

Specifications

Input voltage	150~300VAC
Frequency range	50Hz / 60Hz $\pm 5\%$
Max input ac current	6A max at full load
Inrush current	30A max, 230VAC
Operate Efficiency	$\geq 88\%$, 230VAC
Storage temperature	-45~85°C
Operating temperature	-40~70°C
Operating Humidity	10%~95% RH
Harmonic current	Meet GB17625.1-1998 IEC61000-3-2 Class D
Leakage current	Less than 0.75mA, 230VAC
Input under voltage	135~145VAC
Input over voltage	300~325VAC

Output Characteristics

P/N	Output voltage	Rated current	Regulation	OVP	UVP	OCP
ECP-700	+28V	20A	$\pm 2\%$	30.5~34V	13~20V	23~25A
	+9V	10A	$\pm 2\%$	10~13V	6~8.5V	11~13.5A
	+M9V	5A	$\pm 2\%$	10~13V	6~8.5V	5.5~7A
	Battery	0.4A	12.4~12.8	--	10~12V	--

INDUSTRY-SPECIFIC POWER SUPPLY

LED DISPLAY POWER SUPPLY SERIES

OP Series



Product features

OP-25-5	OP-40-5
4:1 wide input range	
Non-isolated	Isolated
Air Cooling	
100% full load burn-in test	
2 years warranty	

Input characteristics

Model	OP-25-5	OP-40-5
Input voltage	9~36VDC	18~72VDC
Overload protection	110%~160% auto-recovery	110%~180% auto-recovery
Operating temperature	-40°C~70°C	
MTBF	100kHrs	200kHrs
Safety Standard	Meet LVD	
Weight	0.1kg/pcs	0.16kg/pcs

P/N	Output	Tol.	R & N	Effi.	Load Regulation
OP-25-5	5V / 5A	± 5%	75mV	75%	± 3%

P/N	Output	Tol.	R & N	Effi.	Load Regulation
OP-40-5	5V / 8A	± 5%	50mV	77%	± 3%

EINV Series



Product features

- Balanced lamp current
- Open protection and Short circuit protection
- High efficiency
- Storage Temperature: -25~70°C
- Operating Temperature: 0~70°C
- Storage Humidity: 10%~95% RH, non-condensing
- Operating Humidity: 10%~95% RH, non-condensing
- 1 year warranty

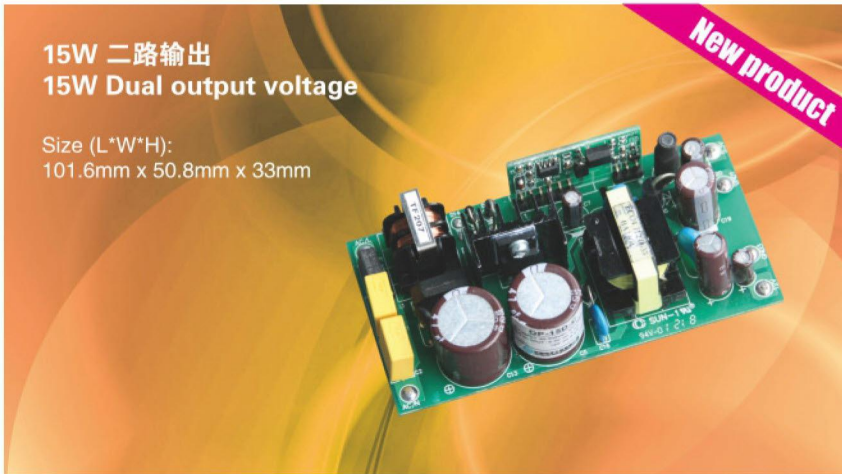
Specifications

	For 1 CCFL	For 2 CCFL
Applied for LCD	7'/8'	10'
Dimension (mm)	120x22x10	120x25x10
Input Voltage (V)	10.8~13.2	10.8~13.2
Typical input voltage (V)	12	12
Input Current (A) typ.	0.5	1.0
Lamp current (mA) typ.	6.5	6.5
Frequency (kHz)	40~60	40~60
Vin=12V, Von/off=5V, Vadj=0V		

Specifications

	For 4 CCFL	For 6 CCFL
Applied for LCD	15'/17'/19'	15'/17'/19'
Dimension (mm)	141x41x15	180x45x15
Input Voltage (V)	10.8~13.2 / 21.6~26.4	10.8~13.2 / 21.6~26.4
Typical input voltage (V)	12 / 24	12 / 24
Input Current (A) typ.	1.8 / 1.0	3.2 / 1.6
Lamp current (mA) typ.	6.6	6.6
Frequency (kHz)	40~55	40~55
Vin=12V/24V, Von/off=5V, Vadj=0V		

OP Series



Product features

- Universal AC input / Ultra range
- Input Protections: Over voltage
- Output Protections: Overload / Short circuit
- Isolated for each output.
- 100% full load burn-in test
- 3 years warranty

Specifications

Input voltage	65~500VAC
Input frequency	47~63Hz
Operating temperature	-40~70°C
Storage temperature	-45~105°C
Safety standards	UL60950-1
EMC standards	GB4943-2001
	EN55022 Class B, EN55024
Weight	0.11kg/pcs

P/N	Output	Tol.	R & N	Effi.	Load Regulation
OP-15D	5.3V, 10A	± 4%	50mV	77%	± 2%
	12V, 4.2A	± 2%	100mV	77%	± 1%

ECU Power Supply series are all models of great demand in market, and we are still optimizing and developing more suitable products to meet customers' needs. Thanks for your attention.

OP Series



Product features

Universal AC input / Ultra range
 Input Protections: Over voltage
 Output Protections: Overload / Short circuit
 Isolated for each output.
 100% full load burn-in test
 3 years warranty

Specifications

Input voltage	150~500VAC
Input frequency	47~63Hz
Operating temperature	-40~70°C
Storage temperature	-45~105°C
Safety standards	UL60950-1
EMC standards	GB4943-2001
	EN55022 Class B, EN55024
Weight	0.11kg/pcs

P/N	Output	Tol.	R & N	Effi.	Load Regulation
OP-18T	5.3V, 10A	± 4%	50mV	80%	± 2%
	12V, 4.2A	± 2%	100mV	80%	± 2%
	13V, 0.5A	± 2%	100mV	80%	± 2%

From July.2006 ECU upgraded its producing lines to be lead-free. You can use any of them with assurance that our power supplies are 100% ROHS compliant.

EUP Series



Product features

- Universal AC input / full range
- PF>0.95
- Power on indication
- Air cooling
- Protection: Overload / Over voltage / Short circuit
- 100% full load burn-in test
- 2 years warranty

Specifications

Input voltage	90VAC~264VAC
Input frequency	47~63Hz
Inrush current	70A@230VAC 35A@110VAC full load cold start
Hold up time	≥20ms@230VAC full load
Overload protection	105%~150% auto-recovery
Over voltage protection	105%~140%
Operating temperature	-20~70°C (refer to output load derating curve)
Safety standards	UL60950-1, EN60950-1
EMC standard	EN55022 Class B, EN55024
Withstand voltage	I/P-O/P: 1.5kVAC, 1min I/P-FG: 1.5kVAC, 1min O/P-FG: 0.5kVAC, 1min
Weight	0.55kg/pcs

P/N	Output	Tol.	R & N	Effi.	Load Regulation
EUP-200-24	24V, 0~8.3A	± 2.5%	400mV	90%	± 2%

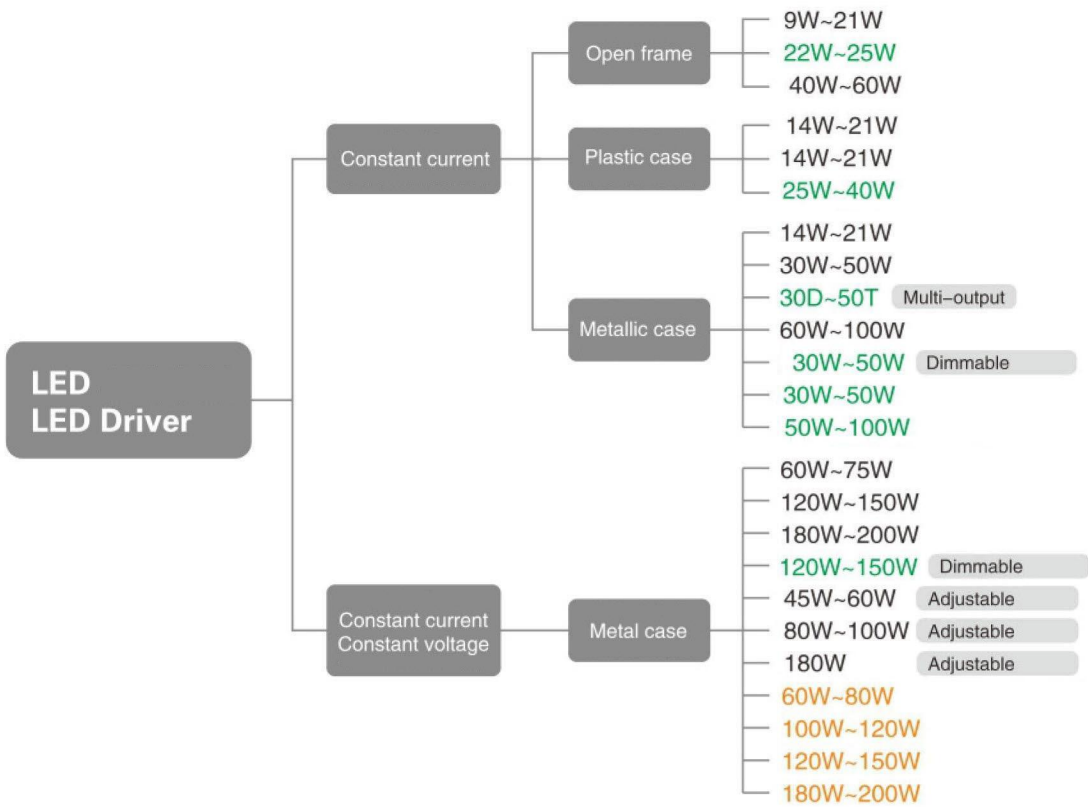
LED DRIVER SERIES

产品特性:

内部主动式功率因数校正功能, PF大于0.9 (满载)
 高效率, 高可靠性
 国际通用全电压输入
 内设短路、过载、过压等保护功能
 适用于各种LED照明及LED电子显示屏
 3年质保

PRODUCT FEATURES:

Built-in active PFC function, PF>0.9 for 100% load
 High efficiency, high reliability
 Universal Input
 Protections: Short Circuit, OLP, OVP etc
 Suitable for LED lighting and moving sign applications
 3 years warranty



■ New product ■ Developing



LED DRIVER SERIES

As ECU LED Driver has formed a fairly complete system with rich content, we have also made the special catalog for our LED driver series for customers' detailed reading. Please contact our sales department and agency for it if you need. Since our products are being kept updating all the time, you can find the latest products' information on our website.

- According to different situations of application, our security series power supplies have two types—the full range input voltage and single input voltage for customers' choice. Its limit charging protection mode can effectively prevent the overcharge of the battery so as to guarantee the usage safety.
- ECU also offers customizing power supplies according to different industries specific demands. We welcome your communicate with our engineers to provide you with the most suitable solution.
- ECU's power supplies have high reliability because all of them must pass through 100% burn-in test, which lasts for four hours.
- Open frame power is commonly made to meet custom needs, such as dimension to fit the internal space of clients' machine. Considering the delivery and price, we suggest you to use standard ones in our manual. Meanwhile, we also accept customization.
- The lead-time is 2–3 weeks for general standard products, 3–8 weeks for customized samples.
- From July.2006 ECU upgraded its producing lines to be lead-free. You can use any of them with assurance that our power supplies are 100% ROHS compliant.



- ECU devotes to service our customers with power supplies and solutions of high efficiency and high reliability. If our catalog products cannot meet your requirements, please contact our sales for more information.
- ECU Power Supply series are all models of great demand in market, and we are still optimizing and developing more suitable products to meet customers' needs. Thanks for your attention.



合肥华耀电子工业有限公司

ECU ELECTRONICS INDUSTRIAL CO.,LTD.

Address: No.41 TianZhi Rd, Huadian Building,
Hefei, 230088, Anhui, China

Tel: 86-551-5311411 86-551-2368818

Fax: 86-551-5324417 ext 0

E-mail: sales@ecu.com.cn

Http://www.ecu.com.cn