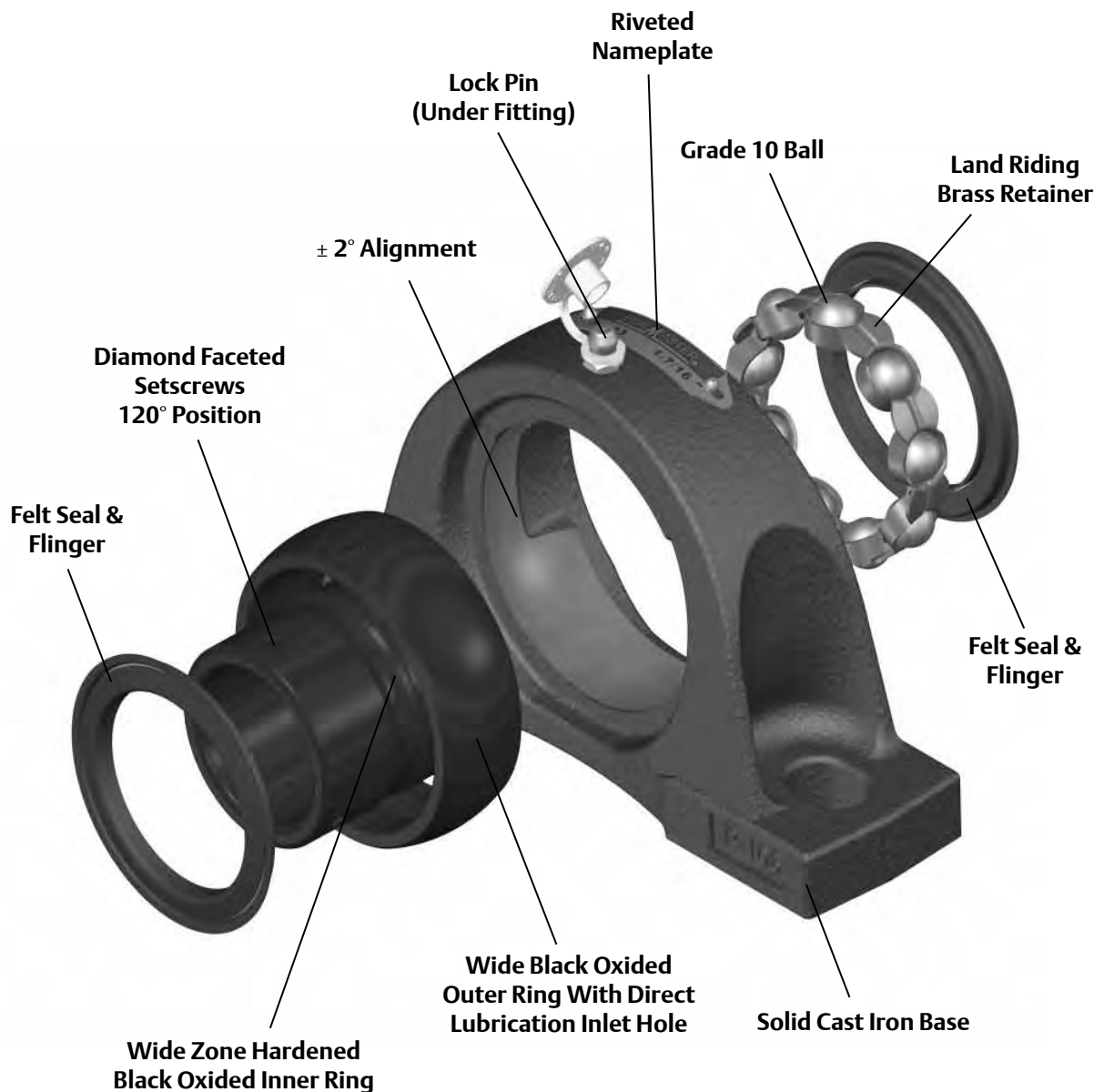


Sealmaster Gold Mounted Ball Bearings

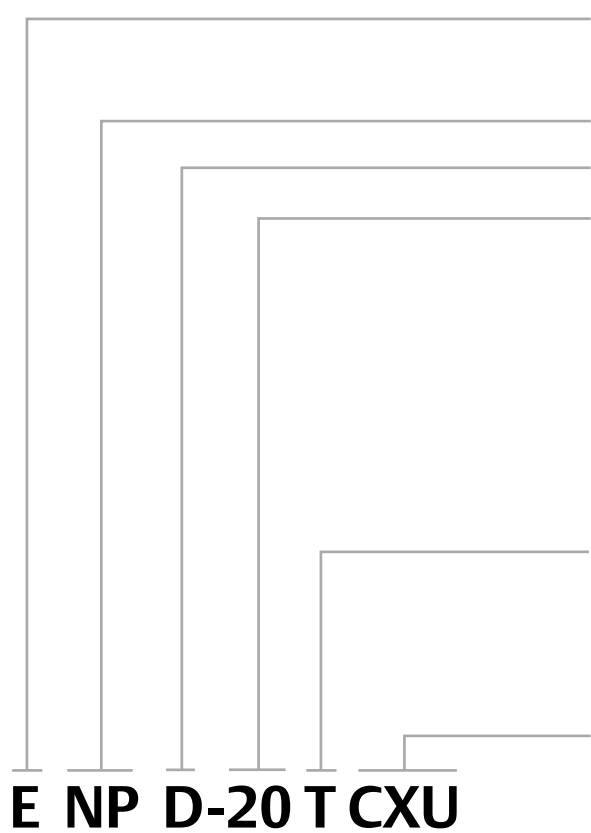
Sealmaster Gold mounted ball bearings feature a wide outer race insert bearing with land riding metallic retainer. The black oxide treated bearing steel insert features an exclusive lock pin and dimple system providing a direct path for lubrication into the bearing, and prevents outer ring rotation within the housing. Shaft lock is achieved by either setscrew or Skwezloc® concentric locking collar. The felt seal with flinger provide a good balance between contaminant entry, GoldPlex HPT™ grease loss and friction. Depending on your preference, these bearings are available in both inch and metric shaft sizes with a wide variety of cast iron, stamped steel or rubber mount housings, sealing, and lubrication options or industry specific solutions as illustrated on the pages to follow.





Sealmaster Gold Mounted Ball Nomenclature

Housing Units



Prefix

E - Expansion Unit

Housing* (see table below)

D - Double Setscrew Locking

Bore Size

Inch - ##/16 (ex. 20/16 = 1 1/4")

R for 1 1/4" and 2" Reduced Only

Metric - Standard Duty - 2##, ## x 5 mm
(ex. 05 = 25 mm)

Medium Duty - 3##, ## x 5 mm
(ex. 07 = 35 mm)

Standard Option

T - Skwezloc® Locking Collar

M - Metric Hardware (Metric-SKWEZ™)

C - Contact Seal

Common Options* (see table below)

E NP D-20 T CXU

*Housing	Housing Style	Bearing Duty
FB	Flange Bracket	Standard
MFC	Piloted Flange Cartridge	Medium
MFP	Four Bolt Pillow Block - High Base	Medium
MP	Pillow Block - High Base	Medium
MSC	Cylindrical Cartridge	Medium
MSF	Four Bolt Flange	Medium
MSFPD	Four Bolt Pillow Block - High Base	Medium
MSFT	Two Bolt Flange	Medium
MSPD	Four Bolt Pillow Block - High Base	Medium
MST	Wide Slot Take Up	Medium
NP	Pillow Block - High Base	Standard
NPL	Pillow Block - Low Base	Standard
RB	Rubber Mount Insert Only	Standard
SC	Cylindrical Cartridge	Standard
SF	Four Bolt Flange	Standard
SFC	Pivoted Flange Cartridge	Standard
SFT	Rubber Mounted Flange	Standard
SP	Pillow Block - Heavy Duty	Standard
SPM	Pillow Block - High Base	Medium
SRC	Rubber Mounted Cartridge	Standard
SRF	Rubber Mounted Flange	Standard
SRP	Rubber Mounted Pillow Block	Standard
ST	Wide Slot Take Up	Standard
TB	Tapped Base Pillow Block	Standard
TFT	Two Bolt Flange	Standard

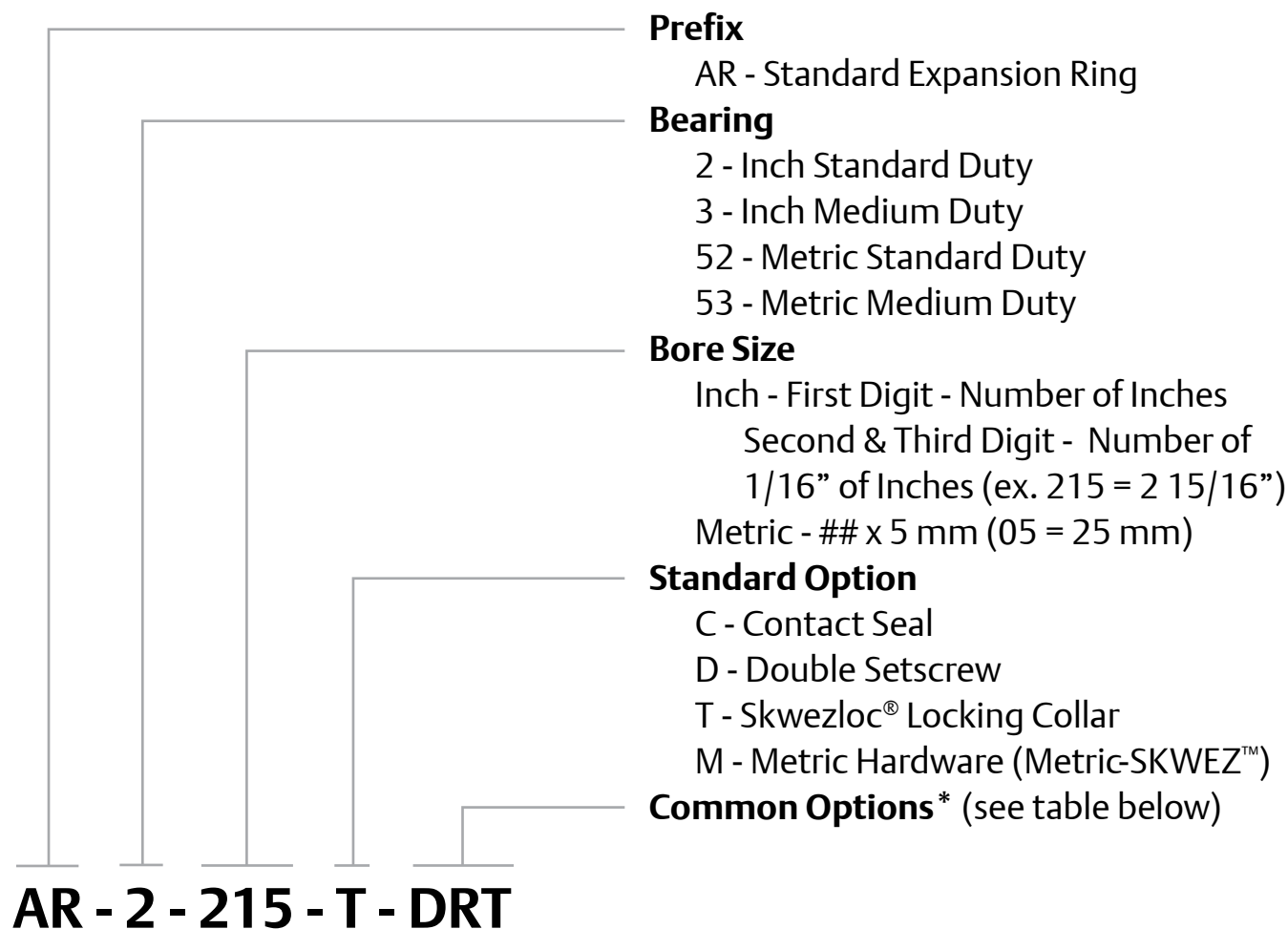
***Common Options**

2C	Double Lip Contact Seal - replaced by DRT in most Sizes
3C	Trip Lip Contact Seal - replaced by DRT in most sizes
AS	Backed Off Felt Seal
BF	Spring Seal - Spring Out
CXU	Air Handling
DRT	High Contamination
H	High Performance Seal
HI	High Temperature Krytox*** Grease
HS	High Speed
HT	High Temperature
HTA	High Temperature Air Handling
HTC	High Temperature Contact Seal
LO	Low Drag
RM	Reduced Maintenance
SF	Double Lip Contact Seal
U	Spring Seal - Spring In
VA	FKM Spring Seal - Spring In
VS	FKM Spring Seal - Spring Out
X	Labyrinth Seal
XLO	Extra Low Drag

**Not all configurations available in all sizes. Prior to selection consult Bearing Application Engineer for proper option selection for your application and consult engineering sections for speed limits.

***KRYTOX is a registered trademark of E.I. du Pont de Nemurs and Company. This trade name, trademark and/or registered trademark is property of their respective owner and is not owned or controlled by Power Transmission Solutions.

Sealmaster Gold Mounted Ball Nomenclature Inserts



* Common Options

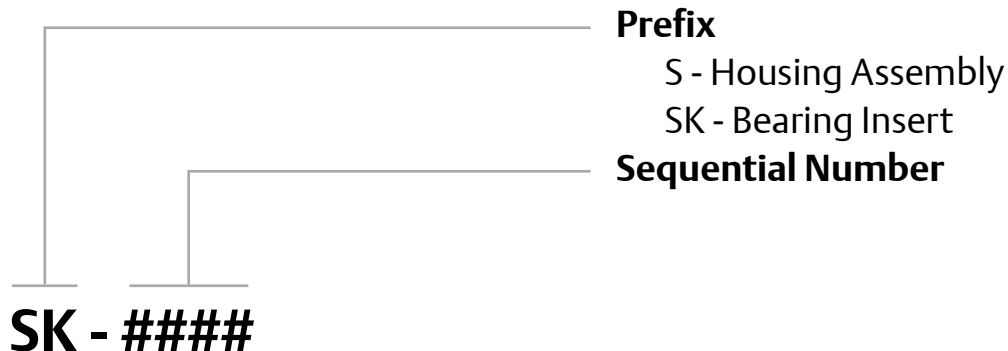
2C	Double Lip Contact Seal - replaced by DRT in most Sizes	LO	Low Drag
3C	Trip Lip Contact Seal - replaced by DRT in most sizes	M	Metric Hardware (Metric-SKWEZ only)
AS	Backed Off Felt Seal	RM	Reduced Maintenance
BF	Spring Seal - Spring Out	SF	High Temperature Double Lip Contact Seal
DRT	High Contamination	U	Spring Seal - Spring In
H	High Performance Seal	VA	FKM Spring Seal - Spring In
HI	High Temperature Krytox** Grease	VS	FKM Spring Seal - Spring Out
HS	High Speed	X	Labyrinth Seal
HT	High Temperature	XLO	Extra Low Drag
HTC	High Temperature Contact Seal		

*Note: Configurations are not available in all sizes or housing styles. Consult the product tables, option sections and engineering sections for more detail or consult a Bearing Application Engineer.

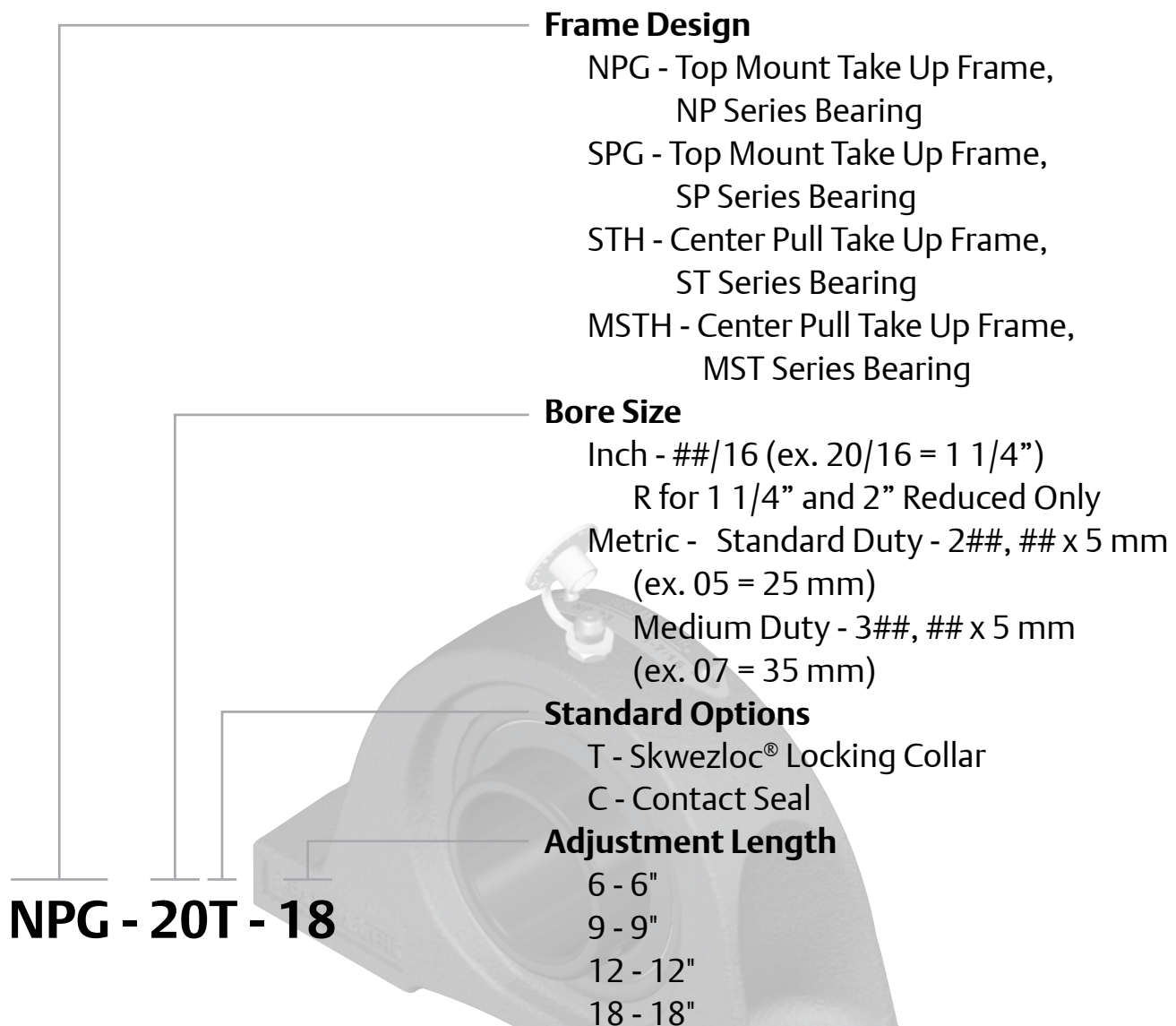
**KRYTOX is a registered trademark of E.I. du Pont de Nemours and Company. This trade name, trademark and/or registered trademark is property of their respective owner and is not owned or controlled by Power Transmission Solutions.



Sealmaster Gold Mounted Ball Nomenclature Specials



Take up Frames

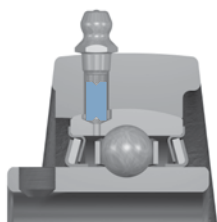


Features and Benefits



Wide Outer Ring

Sealmaster has the industry's widest outer ring. The black oxidized outer ring is 20 to 30% wider than industry standard outer rings. This feature results in increased grease capacity, and room for improved sealing options. A wider outer ring has increased surface area contact with the housing to better absorb shock load.



Lock Pin and Dimple

The Sealmaster exclusive locking pin and dimple system provides a direct lubricant path into the bearing cavity & ball path instead of around a lubrication groove. The pin also prevents outer ring rotation (sometimes referred to as "creep"), and allows $\pm 2^\circ$ static misalignment of the bearing insert.



Multiple Sealing Options

Felt Seal with Flinger

The standard felt seal provides a tight labyrinth seal which retains lubrication and acts as a filter to exclude contamination. The external stamping is a flinger which shields the felt from large contaminants and directs them away from the sealing surface. The design operates with less drag and less heat generation than rubber contact seals.



Single Lip Contact Seal

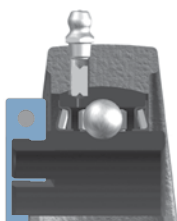
Single Lip Contact Seal consists of a nitrile rubber washer in metal shroud to shield the lip from large contaminants. The seal is designed to balance drag and protection in wet and dry environments. This can be specified by adding the suffix C to the part number.



Multiple Locking Methods

Setscrew Locking

120° spaced, balanced three point contact minimizes inner ring distortion vibration, reduces noise, and improves reliability. Precision manufactured diamond faceted setscrews contribute to improved clamping and resistance to back out.



Skwezloc® Concentric Locking Collar

SKWEZLOC is a concentric locking collar clamp design that results in near-perfect concentricity of the shaft to bearing bore and maintains near perfect ball path roundness, while reducing fretting corrosion. This design eliminates the shaft damage of setscrew locking, and minimizes bearing induced vibration for smoother quieter operation. The collar has a TORX head cap screw that outlasts stripping 12 times longer than hex head cap screws.



Features and Benefits continued



Zone Hardened Inner Race

Sealmaster incorporates a unique heat treat process that hardens the inner race only where it is needed...under the ball path. The black oxidized zone hardened inner race results in improved lock reliability as a result of less distortion at the setscrew location and improved thread conformity resulting in improved clamping and resistance to setscrew back-out



Land Riding Retainer

The Sealmaster unique land riding metal retainer design provides superior pocket clearance that allows for 360° grease circulation around the rolling elements resulting in better retained and utilized lubrication. The land riding design of the retainer minimizes wear on both Ball and retainer, while maximizing stability, which is especially important in applications involving vibration, shock loading or high operating speeds.



Solid Base

Solid bases are standard on Sealmaster Gold ball bearing pillow blocks. The solid base provides improved stability, resistance to shock and vibration and prevents frame buckling under base compared to semi-solid and hollow mounting bases.



Housing Fit

All bearings are assembled with a controlled housing fit between the bearing outer ring and housing bore. This fit allows the bearing to properly self-align in common industrial applications. Special fits are available based on your specific application need.



Nameplate

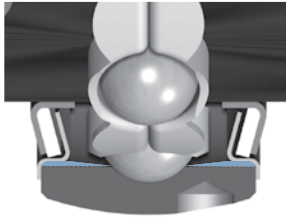
Metal nameplate riveted to the housing allows for easy identification even after years of operation.



Options

Sealmaster Gold Mounted Ball Bearing Options

Bearings are typically selected using L10 fatigue life calculations based on ideal operating conditions. However, most bearing problems are not fatigue related, but occur due to contamination, lubrication starvation, or other environmental issues. As a result, our engineers have developed custom solutions to meet the varying severity, operating parameters and maintenance regularity, such as Reduced Maintenance and Custom Select.



Reduced Maintenance “RM”

Sealmaster Reduced Maintenance bearings are the result of a patented Tapered Lands bearing race profile which means that critical lubricant is circulated more efficiently, while requiring no regular service intervals. The bearing are supplied from the factory with a plug instead of a lubrication fitting.

The outer land surface in a conventional bearing is parallel to the axis of the inner ring. The Tapered Lands surface is tapered in a radial direction toward the bearing race. This subtle yet crucial design change allows lubricant to more easily flow back to the raceway. With improved bearing lubricant circulation comes significantly longer bearing service life. This improved circulation and service life comes without any reductions in bearing radial or thrust capacities.

* For bearings that are maintained and relubricated on a regular basis, there is no significant difference in expected service life.



Custom Select

Sealmaster Custom Select options are available in popular shaft sizes from 1/2" to 2 7/16" in common housing configurations.

High Temperature

Suffix	Description	Temperature	Environment	Speed Limits
HT*	Standard High Temp	200°F to 400°F	Dry/Dusty	
HI*	High Performance High Temp			
HTA*	High Temp Air Handling		Wet/Moisture	
HTC*	High Temp Contact Seal			



High Temperature "HT"

High temperature bearing with increased radial internal clearance to accommodate thermal expansion of components and Nomex* seal and high temperature synthetic grease.

High Performance High Temperature "HI"

High temperature bearing with increased radial internal clearance to accommodate thermal expansion of components and Nomex** seal and Krytox* 226 grease. Available in expansion version in some sizes with half-dog and wire, suffix "HIY"



High Temperature Air Handling "HTA"

Utilizes the same features as our high temperature "HT" option with the additional features that are important in Air Handling equipment:

- Controlled air handling housing fit that allows the bearing to properly self-align when mounted on light weight frames
- Two stage noise testing verification procedure for quiet operation
- For standard operating temperatures, consider the Air Handling "CXU" option shown on following pages

High Temperature Contact Seal "HTC"

High temperature bearing with increased radial internal clearance to accommodate thermal expansion of components, single lip silicone fiberglass or FKM spring seal and high temperature synthetic grease.

**NOMEX and Krytox are registered trademarks of E.I. du Pont de Nemours and Company. This trade name, trademark and/or registered trademark is property of their respective owner and is not owned or controlled by Power Transmission Solutions.



Custom Select continued

High Contamination

Suffix	Description	Temperature	Environment	Speed Limits
DRT	Highly Contaminated	-40°F to 200°F	Highly Contaminated	



2C Seal



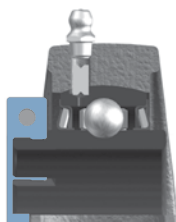
3C Seal

High Contamination “DRT”

Heavy Duty Multi-Lip contact seal (depending on size and series, either supplied with “2C” double lip or “3C” triple lip seal), 100% Grease Fill with Sealmaster GoldPlex HP Grease.

High Speed

Suffix	Description	Temperature	Environment	Speed Limits
HS	High Speed	-40°F to 200°F	Dry/Dusty	



High Speed “HS”

- Available in SKWEZLOC locking collar only
- Backed off, felt seal reduces contact area between the felt sealing material and the internal metal flinger
- Controlled air handling housing fit that allows the bearing to properly self-align when mounted on lightweight frames
- Increased radial internal clearance to accommodate radial thermal expansion of components



Custom Select continued

Air Handling

Suffix	Description	Temperature	Environment	Speed Limits
CXU	Air Handling	-40°F to 200°F	Dry/Dusty	
HTA*	High Temp Air Handling	200°F to 400°F		

*For expansion units add an E prefix to unit assembly (example: EMP-23 HTA)



Air Handling “CXU”

Utilizes many of the same features as standard Sealmaster Gold Mounted Ball Bearings but designed and manufactured for Air Handling equipment.

- Controlled air handling housing fit that allows the bearing to properly self-align when mounted on lightweight frames
- Available with the standard Sealmaster felt seal for decreased energy consumption
- Two stage noise testing verification procedure for quiet operation

High Temperature Air Handling “HTA”

Custom Select continued

Low Drag

Suffix	Description	Temperature	Environment	Speed Limits
LO	Low Drag	-20°F to 180°F	Dry/Dusty	
XLO	Extra Low Drag	-20°F to 100°F		

Low Drag “LO”

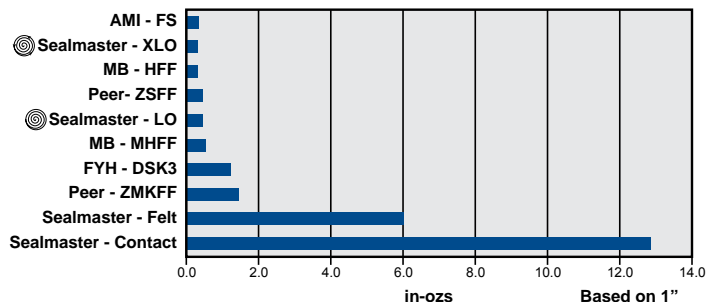
- Felt seal cut down to reduce drag
- Provides excellent barrier that works to retain grease and acts as a filter to reduce the ingress of debris contaminants
- Features a channeling grease that reduces drag while lubricating the bearing
- A reduced housing fit to allow for the bearing to properly self-align on light weight frames

X-Tra Low Drag “XLO”

- Felt seal cut down and oil soaked for extra low drag
- Oil lubricated and supplied with an adapter and plug for easy field relubrication
- A reduced housing fit to allow for the bearing to properly self-align on light weight frames

Bearing Rotational Torque - Comparison Chart

	Company	Suffix Option	Seal Type	Lubrication
LO Drag Bearing Options	AMI®	FS	Non-Contact	Oil
	Sealmaster	XLO	Low Drag Felt	Oil
	MB®	HFF	Steel Labyrinth	Oil
	Peer®	ZSFF	Steel Labyrinth	Oil
	Sealmaster	LO	Low Drag Felt	Grease
	MB	MHFF	Steel Labyrinth	Grease
	FYH®	DSK3	Non-Contact	Oil
	Peer	ZMKFF	Steel Labyrinth	Grease
	Standard Bearing Drag (Reference)	Sealmaster	-	Felt
Sealmaster		C	Contact	Grease



* The following trade names, trademarks and/or registered trademarks that follow are used in this material by Emerson for comparison purposes only, are NOT owned or controlled by Emerson and are believed to be owned by the following parties: Dodge: Baldor Electric Company; AMI: Asahi Tec Corp. of Japan; MB: Rexnord Industries, Inc.; Peer: Peer Bearing Company; FYH: Nippon Pillow Block Co., Ltd. Fafnir: Timken US Corporation. Emerson cannot and does not represent or warrant the accuracy of this information.



Custom Select continued

Optional Fittings

Suffix	Description
CSK	90° Grease Fitting
CSJ	45° Grease Fitting
CTJ	Adapter and Plug
CTY	Plug
W	Adapter and Grease Fitting



CSK – 90° Grease Fitting



CSJ – 45° Grease Fitting



CTJ – Adaptor and Plastic Plug



CTY - Plug



W – Adaptor and Grease Fitting

Note:

- Fittings are designed to properly position the lock pin anti-rotation device. Other fittings not designed for Sealmaster brand bearings may not provide this function causing reduced bearing life.
- Fittings are factory adjusted to properly position the lock pin anti-rotation device. Improper field adjustment of the fitting may cause reduced bearing life. Consult Bearing Technical Services for proper adjustment techniques or review installation instructions.
- For specific hole sizes per housing assembly refer to section L - Accessories.



Additional Options

Expansion Units Options



Axial shaft expansion is compensated by a non-expansion (fixed) and expansion (float) arrangement. Many bearings are offered in both fixed and float arrangements and have identical mounting dimensions. It is recommended to use both units on one shaft in high temperature applications to help account for linear shaft expansion.

Expansion Unit Availability Chart

Bore Diameter		Unit Size	Standard Duty				Expansion Capability
in	mm		ENP	ESP	ESF	ESFT	
5/8		10					
11/16		11					
3/4		12	•		•	•	3/32"
	20	204					
13/16		13					
7/8		14					
15/16		15	•	•	•	•	3/32"
	25	205					
1		16					
1 1/16		17					
1 1/8		18					
	30	206	•	•	•	•	1/8"
1 3/6		19					
1 1/4		20R					
1 1/4		20					
1 5/16		21					
1 3/8		22	•	•	•	•	1/8"
	35	207					
1 7/16		23					
1 1/2		24					
1 9/16		25	•		•	•	1/8"
	40	208					
1 5/8		26					
1 11/16		27	•		•	•	1/8"
1 3/4		28					
	45	209					
1 13/16		29					
1 7/8		30					
1 15/16		31	•	•	•	•	3/16"
	50	210					
2		32R					
2		32					
2 1/8		34	•	•	•	•	3/16"
	55	211					
2 3/16		35					
2 1/4		36					
	60	212	•	•	•		3/16"
2 3/8		38					
2 7/16		39					
2 1/2		40					
		43		•	•		3/16"
	70	214					
2 7/8		46					
2 15/16		47			•		3/16"
	75	215					
3		48					
	80	216		•			1/4"
3 3/16		51					

Bore Diameter		Unit Size	Medium Duty								Expansion Capability
in	mm		EMFP	EMFPD	EMP	EMSPD	EMSFPD	EMSF	EMSFT	EMFC	
15/16		15									
	25	305			•			•	•		1/8"
1		16									
	30	306									
1 3/16		19			•			•	•		1/8"
1 1/4		20									
	35	307			•			•	•		1/8"
1 7/16		23									
1 1/2		24			•			•	•		1/8"
	40	308									
1 11/16		27									
1 3/4		28			•			•	•	•	3/16"
	45	309									
1 15/16		31			•	•		•	•	•	3/16"
	50	310									
2		32									
	55	311									
2 3/16		35			•			•		•	3/16"
2 1/4		36									
2 7/16		39									
2 1/2		40	•	•	•	•		•		•	3/16"
	65	313									
2 11/16		43	•	•	•			•			3/16"
	70	314									
2 15/16		47									
	75	315	•	•	•	•		•			1/4"
3		48									
	80	316									
3 3/16		51			•			•			1/4"
3 1/4		52									
3 7/16		55	•	•	•	•	•	•			9/32"
3 15/16		63									
	100	320	•	•	•	•	•	•			9/32"
4		64									
4 7/16		71						•	•		7/16"
4 15/16		79									

• Expansion option exists for the bearing and housing combination
 Note: 1. Not all combinations of housing styles, locking types and seal options are available. Consult customer service for availability and possible set-up charges.
 2. Alternate expansion version available in some sizes and configurations with half-dog and wire, suffix "HIY", 2 11/16



Additional Options

Greases

Optional greases are readily available, consult Application Engineering for complete list

High Temperature Synthetic

- Used in HT, HTA, and HTC suffix modified bearings
- High quality, synthetic hydrocarbon, lithium complex thickened grease NLGI#2, and ISO 220 viscosity
- Superior high temperature (200 F to 400F) stability

KRYTOX* Extended Lube

- Used in HI suffix modified bearings
- KRYTOX GPL 226, an extremely high performance perfluorinated oil and PTFE thickened grease
- KRYTOX grease has a superior service life and therefore diminishes re-lubrication frequency and extends life
- Engineers have found that, compared to other high temperature greases, the thermal stability and lubricity of the KRYTOX can improve high temperature bearing life by a factor of 4 to 45 times

Custom Capabilities

Additional Industry specific options exist such as the:

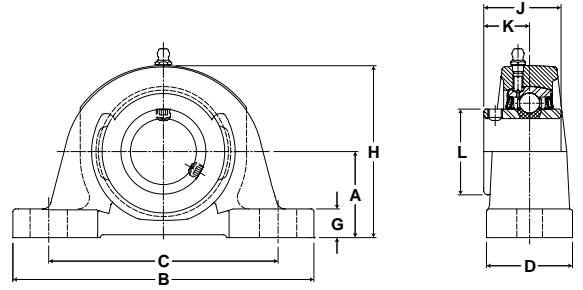
- Sealmaster Paver Bearing –
- Sealmaster Material Handling Bearing -
- Sealmaster PN Gold – Corrosion Resistant -

Our Application Engineers will design a bearing based on your unique application parameters, utilizing a variety of existing components or special components. By combining your equipment knowledge and our Application Engineers bearing expertise, a product solution can be designed to maximize bearing performance in your specific application.

Thousands of customers benefit from this capability every year, and now you no longer have to endure the lead time associated with these custom engineered solutions. In many cases, a higher performance product can be designed and developed specifically for your application.



- Duty:** Standard
- Rolling Elements:** Ball
- Housing:** Cast Iron Pillow Block – High Base
- Self Alignment:** +/- 2 Degrees
- Lock:** Setscrew
- Seal:** Felt
- Optional Seal:** Contact
- Temperature:** -20° to 220°F



NP Series Standard Duty Pillow Blocks - Setscrew Locking

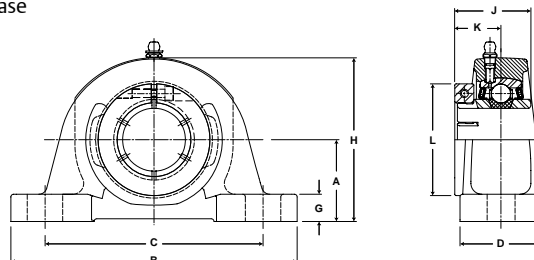
Bore Diameter		Part No.	Bearing Insert No.	Basic Dynamic Rating lb/N	Dimensions inch / mm										Bolt Size	Unit Wt. lb/kg
inch	mm				A	B	C		D	G	H	J	K	L		
						min.	max.									
1/2		NP-8	2-08													
9/16		NP-9	2-09	2611	1 3/16	5	3 3/8	4 1/8	1 1/2	1/2	2 7/16	1 7/32	23/32	1 3/16	1.7	
5/8		NP-10	2-010	11614	30.2	127.0	85.7	104.8	38.1	12.7	61.9	31.0	18.3	30.2	.77	
11/16		NP-11	2-011													
3/4	20	NP-12	2-012	2611	1 5/16	5	3 3/8	4 1/8	1 1/2	1/2	2 9/16	1 7/32	23/32	1 3/16	1.9	
		NP-204	5204	11614	33.3	127.0	85.7	104.8	38.1	12.7	65.1	31.0	18.3	30.2	.86	
13/16		NP-13	2-013													
7/8		NP-14	2-014	2801	1 7/16	5 1/2	3 7/8	4 3/8	1 1/2	1/2	2 13/16	1 3/8	13/16	1 3/8	2.2	
15/16		NP-15	2-015	12459	36.5	139.7	98.4	111.1	38.1	12.7	71.4	34.9	20.6	34.9	1.00	
1	25	NP-16	2-1													
		NP-205	5205													
1 1/16		NP-17	2-11													
1 1/8		NP-18	2-12	4381	1 11/16	6 1/2	4 7/16	5 1/16	1 7/8	9/16	3 3/8	1 1/2	7/8	1 19/32	3.6	
1 3/16		NP-19	2-13	19487	42.9	165.1	112.7	128.6	47.6	14.3	85.7	38.1	22.2	40.5	1.63	
1 1/4	30	NP-20R	1-14													
		NP-206	5206													
1 1/4		NP-20	2-14													
1 5/16		NP-21	2-15	5782	1 7/8	6 9/16	4 11/16	5 5/16	1 7/8	5/8	3 3/4	1 11/16	1	1 55/64	4.5	
1 3/8		NP-22	2-16	25718	47.6	166.7	119.1	134.9	47.6	15.9	95.3	42.9	25.4	47.2	2.04	
1 7/16	35	NP-23	2-17													
		NP-207	5207													
1 1/2		NP-24	2-18													
1 9/16	40	NP-25	2-19	7340	1 15/16	7 1/4	4 7/8	5 7/8	2 1/8	11/16	3 15/16	1 15/16	1 3/16	2 1/16	5.7	
		NP-208	5208	32648	49.2	184.2	123.8	149.2	54.0	17.5	100.0	49.2	30.2	52.4	2.59	
1 5/8		NP-26	2-110													
1 11/16		NP-27	2-111	7901	2 1/8	7 1/2	5 7/16	6 1/16	2 1/8	11/16	4 1/4	1 15/16	1 3/16	2 19/64	6.5	
1 3/4	45	NP-28	2-112	35144	54.0	190.5	138.1	154.0	54.0	17.5	108.0	49.2	30.2	58.3	2.95	
		NP-209	5209													
1 13/16		NP-29	2-113													
1 7/8		NP-30	2-114	7889	2 1/4	8 1/8	6	6 1/2	2 3/8	3/4	4 9/16	2 1/32	1 9/32	2 15/32	7.9	
1 15/16		NP-31	2-115	35090	57.2	206.4	152.4	165.1	60.3	19.1	115.9	51.6	32.5	62.7	3.58	
2	50	NP-32R	1-2													
		NP-210	5210													
2		NP-32	2-2													
2 1/8		NP-34	2-22	9752	2 1/2	8 5/8	6 1/2	7	2 3/8	3/4	5	2 3/16	1 5/16	2 23/32	9.7	
2 3/16	55	NP-35	2-23	43377	63.5	219.1	165.1	177.8	60.3	19.1	127.0	55.6	33.3	69.1	4.40	
		NP-211	5211													
2 1/4		NP-36	2-24													
2 3/8		NP-38	2-26	11789	2 3/4	9 1/2	6 7/8	7 5/8	2 3/4	7/8	5 9/16	2 9/16	1 9/16	2 63/64	13.7	
2 7/16	60	NP-39	2-27	52437	69.9	241.3	174.6	193.7	69.9	22.2	141.3	65.1	39.7	75.8	6.21	
		NP-212	5212													
2 7/8		NP-46	2-214													
2 15/16	75	NP-47	2-215	14839	3.5	13	8 1/2	9 1/2	3 1/2	1 1/8	7	3 1/16	1 3/4	3 41/64	27.9	
		NP-215	5215	66004	88.9	330.2	215.9	241.3	88.9	28.6	177.8	77.8	44.5	92.5	12.66	

For Standard Duty Bearing Inserts-Single Lock

Performance Mounted Ball Bearings **SEALMASTER**®



- Duty:** Standard
- Rolling Elements:** Ball
- Housing:** Cast Iron Pillow Block – High Base
- Self Alignment:** +/- 2 Degrees
- Lock:** SKWEZLOC Locking Collar
- Seal:** Felt
- Optional Seal:** Contact
- Temperature:** -20° to 220°F



NP-T Series Standard Duty Pillow Block - SKWEZLOC Locking Collar - Inch

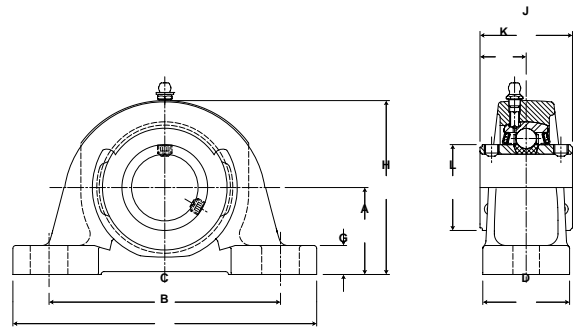
Bore Diameter inch	Part No.	Bearing Insert No.	Basic Dynamic Rating lb/N	Dimensions inch / mm										Bolt Size	Unit Wt. lb/kg
				A	B	C		D	G	H	J	K	L		
						min.	max.								
3/4	NP-12T	2-012T	2611 11614	1 5/16 33.3	5 127.0	3 3/8 85.7	4 1/8 104.8	1 1/2 38.1	1/2 12.7	2 9/16 65.1	1 9/32 32.5	25/32 19.8	1 3/4 44.5	3/8	2.0 .91
15/16 1	NP-15T NP-16T	2-015T 2-1T	2801 12459	1 7/16 36.5	5 1/2 139.7	3 7/8 98.4	4 3/8 111.1	1 1/2 38.1	1/2 12.7	2 13/16 71.4	1 7/16 36.5	7/8 22.2	1 15/16 49.2	3/8	2.4 1.09
1 1/8 1 3/16 1 1/4	NP-18T NP-19T NP-20RT	2-12T 2-13T 1-14T	4381 19487	1 11/16 42.9	6 1/2 165.1	4 7/16 112.7	5 1/16 128.6	1 7/8 47.6	9/16 14.3	3 3/8 85.7	1 9/16 39.7	15/16 23.8	2 3/16 55.6	1/2	3.8 1.72
1 1/4	NP-20T	2-14T	5782 25718	1 7/8 47.6	6 9/16 166.7	4 11/16 119.1	5 5/16 134.9	1 7/8 47.6	5/8 15.9	3 3/4 95.3	1 3/4 44.5	1 1/16 27.0	2 7/16 61.9	1/2	4.8 2.18
1 3/8 1 7/16	NP-22T NP-23T	2-16T 2-17T	4782 21270	1 7/8 47.6	6 9/16 166.7	4 11/16 119.1	5 5/16 134.9	1 7/8 47.6	5/8 15.9	3 3/4 95.3	1 3/4 44.5	1 1/16 27.0	2 9/16 65.1	1/2	4.8 2.18
1 1/2	NP-24T	2-18T	7340 32648	1 15/16 49.2	7 1/4 184.2	4 7/8 123.8	5 7/8 149.2	2 1/8 54.0	11/16 17.5	3 15/16 100.0	2 50.8	1 1/4 31.8	2 11/16 68.3	1/2	6.0 2.72
1 5/8	NP-26T	2-110T	7901 35144	2 1/8 54.0	7 1/2 190.5	5 7/16 138.1	6 1/16 154.0	2 1/8 54.0	11/16 17.5	4 1/4 108.0	2 50.8	1 1/4 31.8	2 13/16 71.4	1/2	6.8 3.08
1 11/16 1 3/4	NP-27T NP-28T	2-111T 2-112T	7901 35144	2 1/8 54.0	7 1/2 190.5	5 7/16 138.1	6 1/16 154.0	2 1/8 54.0	11/16 17.5	4 1/4 108.0	2 50.8	1 1/4 31.8	2 15/16 74.6	1/2	6.8 3.08
1 15/16 2	NP-31T NP-32RT	2-115T 1-2T	7889 35090	2 1/4 57.2	8 1/8 206.4	6 152.4	6 1/2 165.1	2 3/8 60.3	3/4 19.1	4 9/16 115.9	2 3/32 34.1	1 11/32 31.8	3 3/8 85.7	5/8	8.5 3.86
2	NP-32T	2-2T	9752 43377	2 1/2 63.5	8 5/8 219.1	6 1/2 165.1	7 177.8	2 3/8 60.3	3/4 19.1	5 127.0	2 1/4 57.2	1 3/8 34.9	3 1/2 88.9	5/8	10.3 4.67
2 1/8 2 3/16	NP-34T NP-35T	2-22T 2-23T	9752 43377	2 1/2 63.5	8 5/8 219.1	6 1/2 165.1	7 177.8	2 3/8 60.3	3/4 19.1	5 127.0	2 1/4 57.2	1 3/8 34.9	3 5/8 92.1	5/8	10.3 4.67
2 1/4	NP-36T	2-24T	11789 52437	2 3/4 69.9	9 1/2 241.3	6 7/8 174.6	7 5/8 193.7	2 3/4 69.9	7/8 22.2	5 9/16 141.3	2 5/8 66.7	1 5/8 41.3	4 1/16 103.2	5/8	14.9 6.76
2 3/8	NP-38T	2-26T	11789 52437	2 3/4 69.9	9 1/2 241.3	6 7/8 174.6	7 5/8 193.7	2 3/4 69.9	7/8 22.2	5 9/16 141.3	2 5/8 66.7	1 5/8 41.3	4 1/8 104.8	5/8	14.9 6.76

NP-T Series Standard Duty Pillow Block - SKWEZLOC Locking Collar - Metric -SKWEZ™

Bore Diameter mm	Part No.	Bearing Insert No.	Basic Dynamic Rating N/lb	Dimensions mm / inch										Bolt Size	Unit Wt. lb/kg
				A	B	C		D	G	H	J	K	L		
						min.	max.								
20	NP-204TMC	5204TMC	11614 4782	33.3 1 7/8	127.0 6 9/16	85.7 4 11/16	104.8 5 5/16	38.1 1 7/8	12.7 5/8	65.1 3 3/4	32.5 1 3/4	19.8 1 1/16	44.5 2 9/16	M10	.91 4.8
25	NP-205TMC	5205TMC	19487 2801	36.5 1 7/16	139.7 5 1/2	98.4 3 7/8	111.1 4 3/8	38.1 1 1/2	12.7 1/2	71.4 2 13/16	36.5 1 7/16	22.2 7/8	49.2 1 15/16	M10	1.1 2.4
30	NP-206TMC	5206TMC	19487 4381	42.9 1 11/16	165.1 6 1/2	112.7 4 7/16	128.6 5 1/16	47.6 1 7/8	14.3 9/16	85.7 3 3/8	39.7 1 9/16	23.8 15/16	55.6 2 3/16	M10	1.72 3.8
35	NP-207TMC	5207TMC	21270 4782	47.6 1 7/8	166.7 6 9/16	119.1 4 11/16	134.9 5 5/16	47.6 1 7/8	15.9 5/8	95.3 3 3/4	44.5 1 3/4	27.0 1 1/16	65.1 2 9/16	M10	2.18 4.8
40	NP-208TMC	5208TMC	32648 7340	49.2 1 15/16	184.2 7 1/4	123.8 4 7/8	149.2 5 7/8	54.0 2 1/8	17.5 11/16	100.0 3 15/16	50.8 2	31.8 1 1/4	68.3 2 11/16	M14	2.72 6.0
45	NP-209TMC	5209TMC	35144 7901	54.0 2 1/8	190.5 7 1/2	138.1 5 7/16	154.0 6 1/16	54.0 2 1/8	17.5 11/16	108.0 4 1/4	50.8 2	31.8 1 1/4	74.6 2 15/16	M14	3.08 6.8
50	NP-210TMC	5210TMC	35090 7889	57.2 2 1/4	206.4 8 1/8	152.4 6	165.1 6 1/2	60.3 2 3/8	19.1 3/4	115.9 4 9/16	53.2 2 3/32	34.1 1 11/32	85.7 3 3/8	M16	3.86 8.5
55	NP-211TMC	5211TMC	43377 9752	63.5 2 1/2	219.1 8 5/8	165.1 6 1/2	177.8 7	60.3 2 3/8	19.1 3/4	127.0 5	57.2 2 1/4	34.9 1 3/8	92.1 3 5/8	M16	4.67 10.3
60	NP-212TMC	5212TMC	11789 52437	69.9 2 3/4	241.3 9 1/2	174.6 6 7/8	193.7 7 5/8	69.9 2 3/4	22.2 7/8	141.3 5 9/16	66.7 2 5/8	41.3 1 5/8	104.8 4 1/8	M16	6.8 14.9



Duty:	Standard
Rolling Elements:	Ball
Housing:	Cast Iron Pillow Block – High Base
Self Alignment:	+/- 2 Degrees
Lock:	Double Setscrew
Seal:	Felt
Optional Seal:	Contact
Temperature:	-20° to 220°F

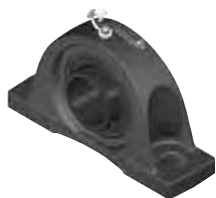


NPD Series Standard Duty Pillow Blocks With Double Lock - Setscrew Locking

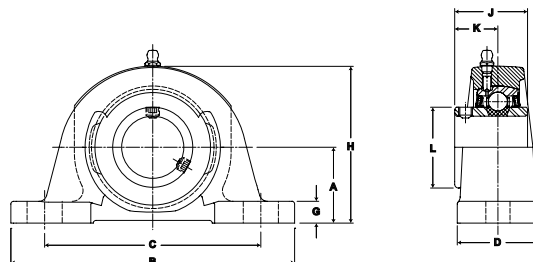
Bore Diameter inch	Part No.	Bearing Insert No.	Basic Dynamic Rating lb/N	Dimensions inch / mm										Bolt Size	Unit Wt. lb/kg
				A	B	C		D	G	H	J	K	L		
						min.	max.								
7/8 15/16 1	NPD-14 NPD-15 NPD-16	2-014D 2-015D 2-1D	2801 12459	1 7/16 36.5	5 1/2 139.7	3 7/8 98.4	4 3/8 111.1	1 1/2 38.1	1/2 12.7	2 13/16 71.4	1 1/2 38.1	3/4 19.1	1 3/8 34.9	3/8	2.4 1.09
1 3/16	NPD-19	2-13D	4381 19487	1 11/16 42.9	6 1/2 165.1	4 7/16 112.7	5 1/16 128.6	1 7/8 47.6	9/16 14.3	3 3/8 85.7	1 3/4 44.5	7/8 22.2	1 19/32 40.5	1/2	3.8 1.72
1 1/4 1 3/8 1 7/16	NPD-20 NPD-22 NPD-23	2-14D 2-16D 2-17D	5782 25718	1 7/8 47.6	6 9/16 166.7	4 11/16 119.1	5 5/16 134.9	1 7/8 47.6	5/8 15.9	3 3/4 95.3	2 50.8	1 25.4	1 55/64 47.2	1/2	4.7 2.13
1 1/2 1 9/16	NPD-24 NPD-25	2-18D 2-19D	7340 32648	1 15/16 49.2	7 1/4 184.2	4 7/8 123.8	5 7/8 149.2	2 1/8 54.0	11/16 17.5	3 15/16 100.0	2 5/16 58.7	1 5/32 29.4	2 1/16 52.4	1/2	6.0 2.73
1 11/16 1 3/4	NPD-27 NPD-28	2-111D 2-112D	7901 35144	2 1/8 54.0	7 1/2 190.5	5 7/16 138.1	6 1/16 154.0	2 1/8 54.0	11/16 17.5	4 1/4 108.0	2 3/8 60.3	1 3/16 30.2	2 19/64 58.3	1/2	6.5 2.95
1 7/8 1 15/16	NPD-30 NPD-31	2-114D 2-115D	7889 35090	2 1/4 57.2	8 1/8 206.4	6 152.4	6 1/2 165.1	2 3/8 60.3	3/4 19.1	4 9/16 115.9	2 1/2 63.5	1 1/4 31.8	2 15/32 62.7	5/8	8.3 3.76
2 2 1/8 2 3/16	NPD-32 NPD-34 NPD-35	2-2D 2-22D 2-23D	9752 43377	2 1/2 63.5	8 5/8 219.1	6 1/2 165.1	7 177.8	2 3/8 60.3	3/4 19.1	5 127.0	2 5/8 66.7	1 5/16 33.3	2 23/32 69.1	5/8	10.0 4.54
2 1/4 2 3/8 2 7/16	NPD-36 NPD-38 NPD-39	2-24D 2-26D 2-27D	11789 52437	2 3/4 69.9	9 1/2 241.3	6 7/8 174.6	7 5/8 193.7	2 3/4 69.9	7/8 22.2	5 9/16 141.3	3 1/8 79.4	1 9/16 39.7	2 63/64 75.8	5/8	14.0 6.35

Performance Mounted Ball Bearings **SEALMASTER**®

Mtd. Ball Bearings



- Duty:** Standard
- Rolling Elements:** Ball
- Housing:** Cast Iron Pillow Block – Low Base
- Self Alignment:** +/- 2 Degrees
- Lock:** Setscrew
- Seal:** Felt
- Optional Seal:** Contact
- Temperature:** -20° to 220°F

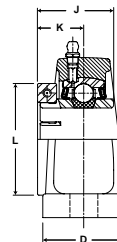
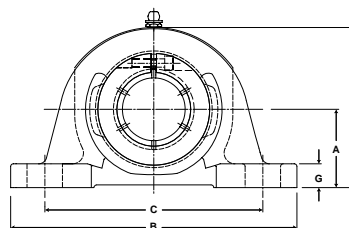


NPL Series Standard Duty Pillow Blocks - Setscrew Locking

Bore Diameter		Part No.	Bearing Insert No.	Basic Dynamic Rating lb/N	Dimensions inch / mm										Bolt Size	Unit Wt. lb/kg
inch	mm				A	B	C		D	G	H	J	K	L		
						min.	max.									
1/2		NPL-8	2-08													
9/16		NPL-9	2-09	2611	1 1/16	5	3 3/8	4 1/8	1 1/2	3/8	2 5/16	1 7/32	23/32	1 3/16	3/8	1.7
5/8		NPL-10	2-010	11614	27.0	127.0	85.7	104.8	38.1	9.5	58.7	31.0	18.3	30.2		.77
11/16		NPL-11	2-011													
3/4		NPL-12	2-012	2611	1 1/4	5	3 3/8	4 1/8	1 1/2	7/16	2 1/2	1 7/32	23/32	1 3/16	3/8	1.7
	20	NPL-204	5204	11614	31.8	127.0	85.7	104.8	38.1	11.1	63.5	31.0	18.3	30.2		.77
13/16		NPL-13	2-013													
7/8		NPL-14	2-014	2801	1 5/16	5 1/2	3 7/8	4 3/8	1 1/2	1/2	2 11/16	1 3/8	13/16	1 3/8	3/8	2.0
15/16		NPL-15	2-015	12459	33.3	139.7	98.4	111.1	38.1	12.7	68.3	34.9	20.6	34.9		.91
1		NPL-16	2-1													
	25	NPL-205	5205													
1 1/16		NPL-17	2-11													
1 1/8		NPL-18	2-12	4381	1 9/16	6 1/2	4 7/16	5 1/16	1 7/8	7/16	3 1/4	1 1/2	7/8	1 19/32	1/2	3.6
1 3/16		NPL-19	2-13	19487	39.7	165.1	112.7	128.6	47.6	11.1	82.6	38.1	22.2	40.5		1.63
1 1/4		NPL-20R	1-14													
	30	NPL-206	5206													
1 1/4		NPL-20	2-14													
1 5/16		NPL-21	2-15	5782	1 13/16	6 9/16	4 11/16	5 5/16	1 7/8	9/16	3 11/16	1 11/16	1	1 55/64	1/2	4.4
1 3/8		NPL-22	2-16	25718	46.0	166.7	119.1	134.9	47.6	14.3	93.7	42.9	25.4	47.2		2.00
1 7/16		NPL-23	2-17													
	35	NPL-207	5207													
1 1/2		NPL-24	2-18													
1 9/16		NPL-25	2-19	7340	1 15/16	7 1/4	4 7/8	5 7/8	2 1/8	11/16	3 15/16	1 15/16	1 3/16	2 1/16	1/2	5.7
	40	NPL-208	5208	32648	49.2	184.2	123.8	149.2	54.0	17.5	100.0	49.2	30.2	52.4		2.59
1 5/8		NPL-26	2-110													
1 11/16		NPL-27	2-111	7901	2 1/16	7 1/2	5 7/16	6 1/16	2 1/8	5/8	4 3/16	1 15/16	1 3/16	2 19/64	1/2	6.2
1 3/4		NPL-28	2-112	35144	52.4	190.5	138.1	154.0	54.0	15.9	106.4	49.2	30.2	58.3		2.81
	45	NPL-209	5209													
1 13/16		NPL-29	2-113													
1 7/8		NPL-30	2-114	7889	2 3/16	8 1/8	6	6 1/2	2 3/8	11/16	4 1/2	2 1/32	1 9/32	2 15/32	5/8	7.8
1 15/16		NPL-31	2-115	35090	55.6	206.4	152.4	165.1	60.3	17.5	114.3	51.6	32.5	62.7		3.54
2		NPL-32R	1-2													
	50	NPL-210	5210													
2		NPL-32	2-2													
2 1/8		NPL-34	2-22	9752	2 7/16	8 5/8	6 1/2	7	2 3/8	11/16	4 15/16	2 3/16	1 5/16	2 23/32	5/8	9.6
2 3/16		NPL-35	2-23	43377	61.9	219.1	165.1	177.8	60.3	17.5	125.4	55.6	33.3	69.1		4.35
	55	NPL-211	5211													
2 1/4		NPL-36	2-24													
2 3/8		NPL-38	2-26	11789	2 11/16	9 1/2	6 7/8	7 5/8	2 3/4	13/16	5 1/2	2 9/16	1 9/16	2 63/64	5/8	13.5
2 7/16		NPL-39	2-27	52437	68.3	241.3	174.6	193.7	69.9	20.6	139.7	65.1	39.7	75.8		6.12
	60	NPL-212	5212													
2 11/16		NPL-43	2-211	13971	3	11 1/4	7 1/8	8 7/8	3 1/4	1 1/16	6 1/4	2 3/4	1 11/16	3 7/16	3/4	21.5
				62143	76.2	285.8	181.0	225.4	82.6	27.0	158.8	69.9	42.9	87.3		9.75



- Duty:** Standard
- Rolling Elements:** Ball
- Housing:** Cast Iron Pillow Block – Low Base
- Self Alignment:** +/- 2 Degrees
- Lock:** SKWEZLOC Locking Collar
- Seal:** Felt
- Optional Seal:** Contact
- Temperature:** -20° to 220°F



NPL-T Series Standard Duty Pillow Block - SKWEZLOC Locking Collar

Bore Diameter inch	Part No.	Bearing Insert No.	Basic Dynamic Rating lb/N	Dimensions inch / mm										Bolt Size	Unit Wt. lb/kg
				A	B	C		D	G	H	J	K	L		
						min.	max.								
3/4	NPL-12T	2-012T	2611	1 1/4	5	3 3/8	4 1/8	1 1/2	7/16	2 1/2	1 9/32	25/32	1 3/4	3/8	1.8
			11614	31.8	127.0	85.7	104.8	38.1	11.1	63.5	32.5	19.8	44.5		.82
15/16	NPL-15T	2-015T	2801	1 5/16	5 1/2	3 7/8	4 3/8	1 1/2	1/2	2 11/16	1 7/16	7/8	1 15/16	3/8	2.2
	1 NPL-16T	2-1T	12459	33.3	139.7	98.4	111.1	38.1	12.7	68.3	36.5	22.2	49.2		1.00
1 1/8	NPL-18T	2-12T	4381 19487	1 9/16	6 1/2	4 7/16	5 1/16	1 7/8	7/16	3 1/4	1 9/16	15/16	2 3/16	1/2	3.8
1 3/16	NPL-19T	2-13T		39.7	165.1	112.7	128.6	47.6	11.1	82.6	39.7	23.8	55.6		1.72
1 1/4	NPL-20RT	1-14T													
1 1/4	NPL-20T	2-14T	5782	1 13/16	6 9/16	4 11/16	5 5/16	1 7/8	9/16	3 11/16	1 3/4	1 1/16	2 7/16	1/2	4.7
			25718	46.0	166.7	119.1	134.9	47.6	14.3	93.7	44.5	27.0	61.9		2.13
1 3/8	NPL-22T	2-16T	5782	1 13/16	6 9/16	4 11/16	5 5/16	1 7/8	9/16	3 11/16	1 3/4	1 1/16	2 9/16	1/2	4.7
1 7/16	NPL-23T	2-17T	25718	46.0	166.7	119.1	134.9	47.6	14.3	93.7	44.5	27.0	65.1		2.13
1 1/2	NPL-24T	2-18T	7340	1 15/16	7 1/4	4 7/8	5 7/8	2 1/8	11/16	3 15/16	2	1 1/4	2 11/16	1/2	6.0
			32648	49.2	184.2	123.8	149.2	54.0	17.5	100.0	50.8	31.8	68.3		2.72
1 5/8	NPL-26T	2-110T	7901	2 1/16	7 1/2	5 7/16	6 1/16	2 1/8	5/8	4 3/16	2	1 1/4	2 13/16	1/2	6.5
			35144	52.4	190.5	138.1	154.0	54.0	15.9	106.4	50.8	31.8	71.4		2.95
1 11/16	NPL-27T	2-111T	7901	2 1/16	7 1/2	5 7/16	6 1/16	2 1/8	5/8	4 3/16	2	1 1/4	2 15/16	1/2	6.5
1 3/4	NPL-28T	2-112T	35144	52.4	190.5	138.1	154.0	54.0	15.9	106.4	50.8	31.8	74.6		2.95
1 15/16	NPL-31T	2-115T	7889	2 3/16	8 1/8	6	6 1/2	2 3/8	11/16	4 1/2	2 3/32	1 11/32	3 3/8	5/8	8.4
	2 NPL-32RT	1-2T	35090	55.6	206.4	152.4	165.1	60.3	17.5	114.3	53.2	34.1	85.7		3.81
2	NPL-32T	2-2T	9752	2 7/16	8 5/8	6 1/2	7	2 3/8	11/16	4 15/16	2 1/4	1 3/8	3 1/2	5/8	10.2
			43377	61.9	219.1	165.1	177.8	60.3	17.5	125.4	57.2	34.9	88.9		4.63
2 1/8	NPL-34T	2-22T	9752	2 7/16	8 5/8	6 1/2	7	2 3/8	11/16	4 15/16	2 1/4	1 3/8	3 5/8	5/8	10.2
2 3/16	NPL-35T	2-23T	43377	61.9	219.1	165.1	177.8	60.3	17.5	125.4	57.2	34.9	92.1		4.63
2 1/4	NPL-36T	2-24T	11789	2 11/16	9 1/2	6 7/8	7 5/8	2 3/4	13/16	5 1/2	2 5/8	1 5/8	4 1/16	5/8	14.7
			52437	68.3	241.3	174.6	193.7	69.9	20.6	139.7	66.7	41.3	103.2		6.67
2 3/8	NPL-38T	2-26T	11789	2 11/16	9 1/2	6 7/8	7 5/8	2 3/4	13/16	5 1/2	2 5/8	1 5/8	4 1/8	5/8	14.7
2 7/16	NPL-39T	2-27T	52437	68.3	241.3	174.6	193.7	69.9	20.6	139.7	66.7	41.3	104.8		6.67

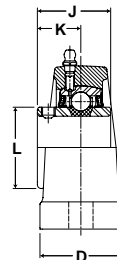
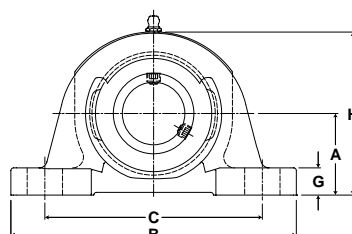
Performance Mounted Ball Bearings

SEALMASTER®

Mtd. Ball Bearings



- Duty:** Standard
- Rolling Elements:** Ball
- Housing:** Cast Iron Pillow Block – Heavy Duty
- Self Alignment:** +/- 2 Degrees
- Lock:** Setscrew
- Seal:** Felt
- Optional Seal:** Contact
- Temperature:** -20° to 220°F

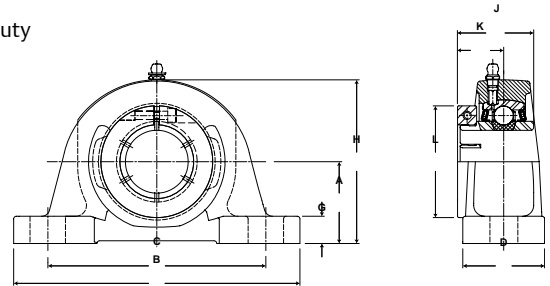


SP Series Standard Duty Pillow Blocks - Setscrew Locking

Bore Diameter		Part No.	Bearing Insert No.	Basic Dynamic Rating lb/N	Dimensions inch / mm										Bolt Size	Unit Wt. lb/kg
inch	mm				A	B	C		D	G	H	J	K	L		
						min.	max.									
13/16	25	SP-13	2-013	2801 12459	1 3/4 44.5	7 177.8	5 1/8 130.2	5 5/8 142.9	2 50.8	9/16 14.3	3 5/16 84.1	1 3/8 34.9	13/16 20.6	1 3/8 34.9	1/2	3.6 1.63
7/8		SP-14	2-014													
15/16		SP-15	2-015													
1		SP-16	2-1													
		SP-205	5205													
1 1/16	30	SP-17	2-11	4381 19487	2 50.8	7 1/2 190.5	5 3/8 136.5	6 1/8 155.6	2 50.8	5/8 15.9	3 7/8 98.4	1 1/2 38.1	7/8 22.2	1 19/32 40.5	1/2	5.0 2.27
1 1/8		SP-18	2-12													
1 3/16		SP-19	2-13													
1 1/4		SP-20R	2-14													
		SP-206	5206													
1 1/4	35	SP-20	2-14	5782	2 3/8 60.3	8 1/4 209.6	5 5/8 142.9	6 7/8 174.6	2 1/4 57.2	3/4 19.1	4 1/2 114.3	1 11/16 42.9	1 25.4	1 55/64 47.2	5/8	7.0 3.18
1 5/16		SP-21	2-15													
1 3/8		SP-22	2-16													
1 7/16		SP-23	2-17													
		SP-207	5207													
1 1/2	40	SP-24	2-18	7340 32648	2 5/16 58.7	8 1/2 215.9	5 7/8 149.2	7 1/8 181.0	2 3/8 60.3	3/4 19.1	4 9/16 115.9	1 15/16 49.2	1 3/16 30.2	2 1/16 52.4	5/8	7.6 3.45
1 9/16		SP-25	2-19													
		SP-208	5208													
1 5/8	45	SP-26	2-110	7901 35144	2 3/8 60.3	8 3/4 222.3	5 7/8 149.2	7 1/8 181.0	2 3/8 60.3	3/4 19.1	4 5/8 117.5	1 15/16 49.2	1 3/16 30.2	2 19/64 58.3	5/8	8.1 3.67
1 11/16		SP-27	2-111													
1 3/4		SP-28	2-112													
		SP-209	5209													
1 13/16	50	SP-29	2-113	7889 35090	2 3/4 69.9	10 1/2 266.7	6 3/4 171.5	8 1/2 215.9	2 1/2 63.5	7/8 22.2	5 5/16 134.9	2 1/32 51.6	1 9/32 32.5	2 15/32 62.7	5/8	11.6 5.26
1 7/8		SP-30	2-114													
1 15/16		SP-31	2-115													
2		SP-32R	1-2													
		SP-210	5210													
2	55	SP-32	2-2	9752 43377	3 1/8 79.4	11 1/4 285.8	7 5/8 193.7	9 3/8 238.1	2 3/4 69.9	7/8 22.2	5 15/16 150.8	2 3/16 55.6	1 5/16 33.3	2 23/32 69.1	5/8	14.1 6.40
2 1/8		SP-34	2-22													
2 3/16		SP-35	2-23													
		SP-211	5211													
2 1/4	60	SP-36	2-24	11789 52437	3 1/8 79.4	11 1/2 292.1	7 7/8 200.0	9 3/8 238.1	3 76.2	7/8 22.2	6 1/16 154.0	2 9/16 65.1	1 9/16 39.7	2 63/64 75.8	3/4	16.5 7.48
2 3/8		SP-38	2-26													
2 7/16		SP-39	2-27													
		SP-212	5212													
2 1/2	70	SP-40	3-28	13971 62143	3 3/4 95.3	12 5/8 320.7	9 3/8 238.1	10 5/8 269.9	3 3/8 85.7	1 25.4	7 1/8 181.0	2 3/4 69.9	1 11/16 42.9	3 7/16 87.3	3/4	26.3 11.93
2 11/16		SP-43	2-211													
		SP-214	5214													
2 7/8	75	SP-46	2-214	14839 66004	3 3/4 95.3	13 330.2	9 1/4 235.0	10 3/4 273.1	3 3/8 85.7	1 25.4	7 3/16 182.6	3 1/16 77.8	1 3/4 44.5	3 41/64 92.5	3/4	26.6 12.07
2 15/16		SP-47	2-215													
		SP-215	5215													
3	80	SP-48	3-3	17412 77449	4 101.6	14 1/2 368.3	10 5/8 269.9	12 1/8 308.0	3 3/4 95.3	1 1/8 28.6	7 13/16 198.4	3 1/4 82.6	1 15/16 49.2	3 59/64 99.6	3/4	34.0 15.42
3 3/16		SP-51	2-33													
		SP-216	5216													
3 1/4		SP-52	2-34	18681 83093	4 101.6	15 381.0	9 5/8 244.5	11 7/8 301.6	4 1/4 108.0	1 1/4 31.8	8 1/16 204.8	3 3/8 85.7	2 1/32 51.6	4 5/32 105.6	7/8	42.1 19.10
3 3/8		SP-54	2-36													
3 7/16		SP-55	2-37													



Duty: Standard
Rolling Elements: Ball
Housing: Cast Iron Pillow Block – Heavy Duty
Self Alignment: +/- 2 Degrees
Lock: SKWEZLOC Locking Collar
Seal: Felt
Optional Seal: Contact
Temperature: -20° to 220°F



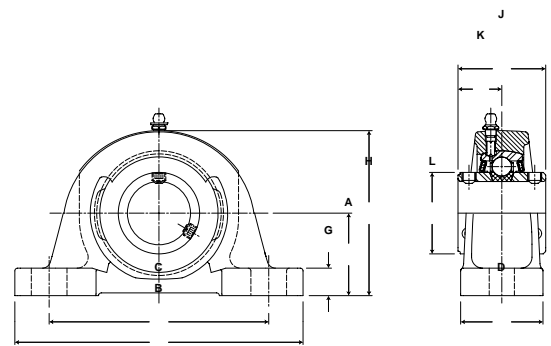
SP-T Series Standard Duty Pillow Blocks - SKWEZLOC Locking Collar

Bore Diameter inch	Part No.	Bearing Insert No.	Basic Dynamic Rating lb/N	Dimensions inch / mm										Bolt Size	Unit Wt. lb/kg
				A	B	C		D	G	H	J	K	L		
						min.	max.								
15/16 1	SP-15T SP-16T	2-015T 2-1T	2801 12459	1 3/4 44.5	7 177.8	5 1/8 130.2	5 5/8 142.9	2 50.8	9/16 14.3	3 5/16 84.1	1 7/16 36.5	7/8 22.2	1 15/16 49.2	1/2	3.8 1.72
1 1/8 1 3/16 1 1/4	SP-18T SP-19T SP-20RT	2-12T 2-13T 1-14T	4381 19487	2 50.8	7 1/2 190.5	5 3/8 136.5	6 1/8 155.6	2 50.8	5/8 15.9	3 7/8 98.4	1 9/16 39.7	15/16 23.8	2 3/16 55.6	1/2	5.2 2.36
1 1/4	SP-20T	2-14T	5782 25718	2 3/8 60.3	8 1/4 209.6	5 5/8 142.9	6 7/8 174.6	2 1/4 57.2	3/4 19.1	4 1/2 114.3	1 3/4 44.5	1 1/16 27.0	2 7/16 61.9	5/8	7.3 3.31
1 3/8 1 7/16	SP-22T SP-23T	2-16T 2-17T	5782 25718	2 3/8 60.3	8 1/4 209.6	5 5/8 142.9	6 7/8 174.6	2 1/4 57.2	3/4 19.1	4 1/2 114.3	1 3/4 44.5	1 1/16 27.0	2 9/16 65.1	5/8	7.3 3.31
1 1/2	SP-24T	2-18T	7340 32648	2 5/16 58.7	8 1/2 215.9	5 7/8 149.2	7 1/8 181.0	2 3/8 60.3	3/4 19.1	4 9/16 115.9	2 50.8	1 1/4 31.8	2 11/16 68.3	5/8	7.3 3.31
1 5/8	SP-26T	2-110T	7901 35144	2 3/8 60.3	8 3/4 222.3	5 7/8 149.2	7 1/8 181.0	2 3/8 60.3	3/4 19.1	4 5/8 117.5	2 50.8	1 1/4 31.8	2 13/16 71.4	5/8	8.4 3.81
1 11/16 1 3/4	SP-27T SP-28T	2-111T 2-112T	7901 35144	2 3/8 60.3	8 3/4 222.3	5 7/8 149.2	7 1/8 181.0	2 3/8 60.3	3/4 19.1	4 5/8 117.5	2 50.8	1 1/4 31.8	2 15/16 74.6	5/8	8.4 3.81
1 15/16 2	SP-31T SP-32RT	2-115T 1-2T	7889 35090	2 3/4 69.9	10 1/2 266.7	6 3/4 171.5	8 1/2 215.9	2 1/2 63.5	7/8 22.2	5 5/16 134.9	2 3/32 53.2	1 11/32 34.1	3 3/8 85.7	5/8	12.2 5.53
2	SP-32T	2-2T	9752 43377	3 1/8 79.4	11 1/4 285.8	7 5/8 193.7	9 3/8 238.1	2 3/4 69.9	7/8 22.2	5 15/16 150.8	2 1/4 57.2	1 3/8 34.9	3 1/2 88.9	5/8	14.7 6.67
2 1/8 2 3/16	SP-34T SP-35T	2-22T 2-23T	9752 43377	3 1/8 79.4	11 1/4 285.8	7 5/8 193.7	9 3/8 238.1	2 3/4 69.9	7/8 22.2	5 15/16 150.8	2 1/4 57.2	1 3/8 34.9	3 5/8 92.1	5/8	14.7 6.67
2 1/4	SP-36T	2-24T	11789 52437	3 1/8 79.4	11 1/2 292.1	7 7/8 200.0	9 3/8 238.1	3 76.2	7/8 22.2	6 1/16 154.0	2 5/8 66.7	1 5/8 41.3	4 1/16 103.2	3/4	17.7 8.03
2 3/8 2 7/16	SP-38T SP-39T	2-26T 2-27T	11789 52437	3 1/8 79.4	11 1/2 292.1	7 7/8 200.0	9 3/8 238.1	3 76.2	7/8 22.2	6 1/16 154.0	2 5/8 66.7	1 5/8 41.3	4 1/8 104.8	3/4	17.7 8.03

Performance Mounted Ball Bearings



- Duty:** Standard
- Rolling Elements:** Ball
- Housing:** Cast Iron Pillow Block – Heavy Duty
- Self Alignment:** +/- 2 Degrees
- Lock:** Double Setscrew
- Seal:** Felt
- Optional Seal:** Contact
- Temperature:** -20° to 220°F

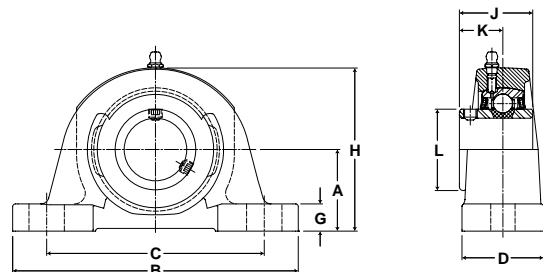


SPD Series Standard Duty Pillow Blocks With Double Lock - Setscrew Locking

Bore Diameter inch	Part No.	Bearing Insert No.	Basic Dynamic Rating lb/N	Dimensions inch / mm										Bolt Size	Unit Wt. lb/kg
				A	B	C		D	G	H	J	K	L		
						min.	max.								
7/8	SPD-14	2-014D	2801	1 3/4	7	5 1/8	5 5/8	2	9/16	3 5/16	1 1/2	3/4	1 3/8	1/2	3.6
15/16	SPD-15	2-015D	12459	44.5	177.8	130.2	142.9	50.8	14.3	84.1	38.1	19.1	34.9		1.63
1	SPD-16	2-1D													
1 3/16	SPD-19	2-13D	4381	2	7 1/2	5 3/8	6 1/8	2	5/8	3 7/8	1 3/4	7/8	1 19/32	1/2	5
			19487	50.8	190.5	136.5	155.6	50.8	15.9	98.4	44.5	22.2	40.5		2.27
1 1/4	SPD-20	2-14D	5782	2 3/8	8 1/4	5 5/8	6 7/8	2 1/4	3/4	4 1/2	2	1	1 55/64	5/8	7.2
1 3/8	SPD-22	2-16D	25718	60.3	209.6	142.9	174.6	57.2	19.1	114.3	50.8	25.4	47.2		3.27
1 7/16	SPD-23	2-17D													
1 1/2	SPD-24	2-18D	7340	2 5/16	8 1/2	5 7/8	7 1/8	2 3/8	3/4	4 9/16	2 5/16	1 5/32	2 1/16	5/8	7.7
1 9/16	SPD-25	2-19D	32648	58.7	215.9	149.2	181.0	60.3	19.1	115.9	58.7	29.4	52.4		3.49
1 11/16	SPD-27	2-111D	7901	2 3/8	8 3/4	5 7/8	7 1/8	2 3/8	3/4	4 5/8	2 3/8	1 3/16	2 19/64	5/8	8.3
1 3/4	SPD-28	2-112D	35144	60.3	222.3	149.2	181.0	60.3	19.1	117.5	60.3	30.2	58.3		3.76
1 7/8	SPD-30	2-114D	7889	2 3/4	10 1/2	6 3/4	8 1/2	2 1/2	7/8	5 5/16	2 1/2	1 1/4	2 15/32	5/8	11.6
1 15/16	SPD-31	2-115D	35090	69.9	266.7	171.5	215.9	63.5	22.2	134.9	63.5	31.8	62.7		5.26
2	SPD-32	2-2D	9752	3 1/8	11 1/4	7 5/8	9 3/8	2 3/4	7/8	5 15/16	2 5/8	1 5/16	2 23/32	5/8	14.1
2 1/8	SPD-34	2-22D	43377	79.4	285.8	193.7	238.1	69.9	22.2	150.8	66.7	33.3	69.1		6.40
2 3/16	SPD-35	2-23D													
2 1/4	SPD-36	2-24D	11789	3 1/8	11 1/2	7 7/8	9 3/8	3	7/8	6 1/16	3 1/8	1 9/16	2 63/64	3/4	17
2 3/8	SPD-38	2-26D	52437	79.4	292.1	200.0	238.1	76.2	22.2	154.0	79.4	39.7	75.8		7.71
2 7/16	SPD-39	2-27D													
2 1/2	SPD-40	3-28D	13971	3 3/4	12 5/8	9 3/8	10 5/8	3 3/8	1	7 1/8	3 1/2	1 3/4	3 7/16	3/4	26.8
2 11/16	SPD-43	2-211D	62143	95.3	320.7	238.1	269.9	85.7	25.4	181.0	88.9	44.5	87.3		12.16
2 7/8	SPD-46	2-214D	14839	3 3/4	13	9 1/4	10 3/4	3 3/8	1	7 3/16	3 1/2	1 3/4	3 41/64	3/4	26.8
2 15/16	SPD-47	2-215D	66004	95.3	330.2	235.0	273.1	85.7	25.4	182.6	88.9	44.5	92.5		12.16
3	SPD-48	3-3D	17412	4	14 1/2	10 5/8	12 1/8	3 3/4	1 1/8	7 13/16	3 7/8	1 15/16	3 59/64	3/4	34.5
3 3/16	SPD-51	2-33D	77449	101.6	368.3	269.9	308.0	95.3	28.6	198.4	98.4	49.2	99.6		15.65



- Duty:** Medium
- Rolling Elements:** Ball
- Housing:** Cast Iron Pillow Block - High Base
- Self Alignment:** +/- 2 Degrees
- Lock:** Setscrew
- Seal:** Felt
- Optional Seal:** Contact
- Temperature:** -20° to 220°F



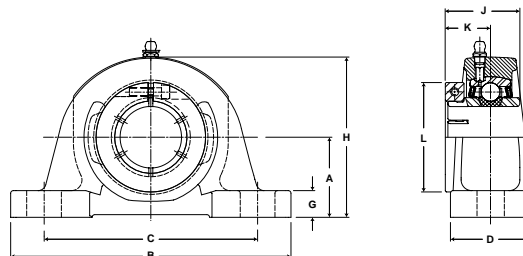
MP Series Medium Duty Pillow Blocks - Setscrew Locking

Bore Diameter		Part No.	Bearing Insert No.	Basic Dynamic Rating lb/N	Dimensions inch / mm										Bolt Size	Unit Wt. lb/kg
inch	mm				A	B	C		D	G	H	J	K	L		
						min.	max.									
15/16 1	25	MP-15	3-015	4381 19487	1 3/4	6 1/4	4 3/16	5 3/16	2	5/8	3 7/16	1 1/2	7/8	1 19/32	1/2	4.0 1.81
		MP-16	3-1		44.5	158.8	106.4	131.8	50.8	15.9	87.3	38.1	22.2	40.5		
		MP-305	5305													
1 3/16 1 1/4	30	MP-19	3-13	5782 25718	1 7/8	6 7/8	4 1/2	5 1/2	2 1/4	11/16	3 13/16	1 11/16	1	1 55/64	1/2	5.4 2.45
		MP-20	2-14		47.6	174.6	114.3	139.7	57.2	17.5	96.8	42.9	25.4	47.2		
		MP-306	5306													
1 7/16 1.378	35	MP-23	3-17	7340 32648	2 1/8	8	5	6 3/8	2 1/4	3/4	4 3/16	1 15/16	1 3/16	2 1/16	1/2	6.8 3.08
		MP-307	5307		54.0	203.2	127.0	161.9	57.2	19.1	106.4	49.2	30.2	52.4		
1 1/2	40	MP-24	3-18	7901 35144	2 5/16	8 3/4	5 1/2	6 3/4	2 5/8	13/16	4 9/16	1 15/16	1 3/16	2 19/64	5/8	9.0 4.08
		MP-308	5308		58.7	222.3	139.7	171.5	66.7	20.6	115.9	49.2	30.2	58.3		
1 11/16 1 3/4	45	MP-27	3-111	7889 35090	2 5/16	8 3/4	5 7/16	6 13/16	2 5/8	13/16	4 5/8	2 1/32	1 9/32	2 15/32	5/8	9.5 4.31
		MP-28	3-112		58.7	222.3	138.1	173.0	66.7	20.6	117.5	51.6	32.5	62.7		
		MP-309	5309													
1 15/16 2	50	MP-31	3-115	9752 43377	2 1/2	9 1/2	5 15/16	7 9/16	2 7/8	7/8	5 3/32	2 3/16	1 5/16	2 23/32	5/8	11.7 5.31
		MP-32	2-2		63.5	241.3	150.8	192.1	73.0	22.2	129.4	55.6	33.3	69.1		
		MP-310	5310													
2 3/16 2 1/4	55	MP-35	3-23	11789 52437	2 3/4	10 1/4	6 9/16	7 15/16	3 1/8	1 1/16	5 5/8	2 9/16	1 9/16	2 63/64	3/4	16.2 7.35
		MP-36	2-24		69.9	260.4	166.7	201.6	79.4	27.0	142.9	65.1	39.7	75.8		
		MP-311	5311													
2 7/16 2 1/2	65	MP-39	3-27	13971 62143	3	11 1/4	7 1/8	8 7/8	3 1/4	1 1/16	6 1/4	2 3/4	1 11/16	3 7/16	3/4	21.5 9.75
		MP-40	3-28		76.2	285.8	181.0	225.4	82.6	27.0	158.8	69.9	42.9	87.3		
		MP-313	5313													
2 11/16 2.756	70	MP-43	3-211	14839 66004	3 1/2	13	7 7/8	10 1/8	3 1/2	1 1/8	7	3 1/16	1 3/4	3 41/64	7/8	29.2 13.24
		MP-314	5314		88.9	330.2	200.0	257.2	88.9	28.6	177.8	77.8	44.5	92.5		
2 15/16 3	75	MP-47	3-215	17412 77449	3 1/2	13	7 7/8	10 1/8	3 1/2	1 1/4	7 1/4	3 1/4	1 15/16	3 59/64	7/8	31.5 14.29
		MP-48	3-3		88.9	330.2	200.0	257.2	88.9	31.8	184.2	82.6	49.2	99.6		
		MP-315	5315													
3 3/16 3 1/4	80	MP-51	3-33	18681 83093	4	15	9 11/16	12 9/16	4	1 1/4	8	3 3/8	2 1/32	4 5/32	7/8	44.1 20.00
		MP-52	2-34		101.6	381.0	246.1	319.1	101.6	31.8	203.2	85.7	51.6	105.6		
		MP-316	5316													
3 7/16 3 1/2		MP-55	3-37	21566 95926	4	15	9 5/8	12 5/8	4 3/8	1 5/16	8 1/4	3 25/32	2 7/32	4 25/64	7/8	47.8 21.68
		MP-56	2-38		101.6	381.0	244.5	320.7	111.1	33.3	209.6	96.0	56.4	111.5		
3 15/16 4	100	MP-63	3-315	29905 133017	5	17	11 3/4	14 3/4	4 3/4	1 5/16	10	4 5/8	2 11/16	5 11/64	1	73.2 33.20
		MP-64	3-4		127.0	431.8	298.5	374.7	120.7	33.3	254.0	117.5	68.3	131.4		
		MP-320	5320													

Performance Mounted Ball Bearings **SEALMASTER**®



- Duty:** Medium
- Rolling Elements:** Ball
- Housing:** Cast Iron Pillow Block - High Base
- Self Alignment:** +/- 2 Degrees
- Lock:** SKWEZLOC Locking Collar
- Seal:** Felt
- Optional Seal:** Contact
- Temperature:** -20° to 220°F

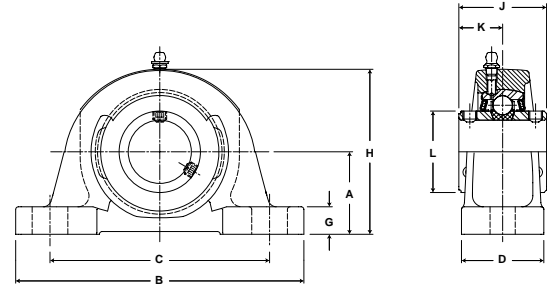


MP-T Series Medium Duty Pillow Blocks - SKWEZLOC Locking Collar

Bore Diameter inch	Part No.	Bearing Insert No.	Basic Dynamic Rating lb/N	Dimensions inch / mm										Bolt Size	Unit Wt. lb/kg
				A	B	C		D	G	H	J	K	L		
						min.	max.								
1	MP-16T	3-1T	4381 19487	1 3/4 44.5	6 1/4 158.8	4 3/16 106.4	5 3/16 131.8	2 50.8	5/8 15.9	3 7/16 87.3	1 9/16 39.7	15/16 23.8	2 1/16 52.4	1/2	4.2 1.91
1 3/16 1 1/4	MP-19T MP-20T	3-13T 2-14T	5782 25718	1 7/8 47.6	6 7/8 174.6	4 1/2 114.3	5 1/2 139.7	2 1/4 57.2	11/16 17.5	3 13/16 96.8	1 3/4 44.5	1 1/16 27.0	2 7/16 61.9	1/2	5.7 2.59
1 7/16	MP-23T	3-17T	7340 32648	2 1/8 54.0	8 203.2	5 127.0	6 3/8 161.9	2 1/4 57.2	3/4 19.1	4 3/16 106.4	2 50.8	1 1/4 31.8	2 11/16 68.3	1/2	7.1 3.22
1 1/2	MP-24T	3-18T	7901 35144	2 5/16 58.7	8 3/4 222.3	5 1/2 139.7	6 3/4 171.5	2 5/8 66.7	13/16 20.6	4 9/16 115.9	2 50.8	1 1/4 31.8	2 13/16 71.4	5/8	9.3 4.22
1 11/16 1 3/4	MP-27T MP-28T	3-111T 3-112T	7889 35090	2 5/16 58.7	8 3/4 222.3	5 7/16 138.1	6 13/16 173.0	2 5/8 66.7	13/16 20.6	4 5/8 117.5	2 3/32 53.2	1 11/32 34.1	3 1/4 82.6	5/8	10.1 4.58
1 15/16 2	MP-31T MP-32T	3-115T 2-2T	9752 43377	2 1/2 63.5	9 1/2 241.3	5 15/16 150.8	7 9/16 192.1	2 7/8 73.0	7/8 22.2	5 3/32 129.4	2 1/4 57.2	1 3/8 34.9	3 1/2 88.9	5/8	12.3 5.58
2 3/16 2 1/4	MP-35T MP-36T	3-23T 2-24T	11789 52437	2 3/4 69.9	10 1/4 260.4	6 9/16 166.7	7 15/16 201.6	3 1/8 79.4	1 1/16 27.0	5 5/8 142.9	2 5/8 66.7	1 5/8 41.3	4 1/16 103.2	3/4	17.4 7.89



- Duty:** Medium
- Rolling Elements:** Ball
- Housing:** Cast Iron Pillow Block - High Base
- Self Alignment:** +/- 2 Degrees
- Lock:** Double Setscrew
- Seal:** Felt
- Optional Seal:** Contact
- Temperature:** -20° to 220°F



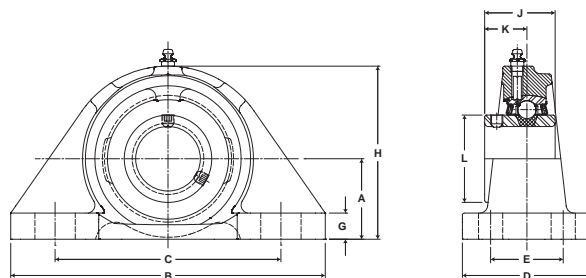
MPD Series Medium Duty Pillow Blocks With Double Lock - Setscrew Locking

Bore Diameter inch	Part No.	Bearing Insert No.	Basic Dynamic Rating lb/N	Dimensions inch / mm										Bolt Size	Unit Wt. lb/kg
				A	B	C		D	G	H	J	K	L		
						min.	max.								
1	MPD-16	3-1D	4381 19487	1 3/4 44.5	6 1/4 158.8	4 3/16 106.4	5 3/16 131.8	2 50.8	5/8 15.9	3 7/16 87.3	1 3/4 44.5	7/8 22.2	1 19/32 40.5	1/2	4.0 1.81
1 3/16 1 1/4	MPD-19 MPD-20	3-13D 2-14D	5782 25718	1 7/8 47.6	6 7/8 174.6	4 1/2 114.3	5 1/2 139.7	2 1/4 57.2	11/16 17.5	3 13/16 96.8	2 50.8	1 25.4	1 55/64 47.2	1/2	5.4 2.45
1 7/16	MPD-23	3-17D	7340 32648	2 1/8 54.0	8 203.2	5 127.0	6 3/8 161.9	2 1/4 57.2	3/4 19.1	4 3/16 106.4	2 5/16 58.7	1 5/32 29.4	2 1/16 52.4	1/2	6.8 3.08
1 1/2	MPD-24	3-18D	7901 35144	2 5/16 58.7	8 3/4 222.3	5 1/2 139.7	6 3/4 171.5	2 5/8 66.7	13/16 20.6	4 9/16 115.9	2 3/8 60.3	1 3/16 30.2	2 19/64 58.3	5/8	9.0 4.08
1 11/16 1 3/4	MPD-27 MPD-28	3-111D 3-112D	7889 35090	2 5/16 58.7	8 3/4 222.3	5 7/16 138.1	6 13/16 173.0	2 5/8 66.7	13/16 20.6	4 5/8 117.5	2 1/2 63.5	1 1/4 31.8	2 15/32 62.7	5/8	9.5 4.31
1 15/16 2	MPD-31 MPD-32	3-115D 2-2D	9752 43377	2 1/2 63.5	9 1/2 241.3	5 15/16 150.8	7 9/16 192.1	2 7/8 73.0	7/8 22.2	5 3/32 129.4	2 5/8 66.7	1 5/16 33.3	2 23/32 69.1	5/8	11.7 5.31
2 3/16 2 1/4	MPD-35 MPD-36	3-23D 2-24D	11789 52437	2 3/4 69.9	10 1/4 260.4	6 9/16 166.7	7 15/16 201.6	3 1/8 79.4	1 1/16 27.0	5 5/8 142.9	3 1/8 79.4	1 9/16 39.7	2 63/64 75.8	3/4	16.2 7.35
2 7/16 2 1/2	MPD-39 MPD-40	3-27D 3-28D	13971 62143	3 76.2	11 1/4 285.8	7 1/8 181.0	8 7/8 225.4	3 1/4 82.6	1 1/16 27.0	6 1/4 158.8	3 1/2 88.9	1 3/4 44.5	3 7/16 87.3	3/4	21.5 9.75
2 11/16	MPD-43	3-211D	14839 66004	3 1/2 88.9	13 330.2	7 7/8 200.0	10 1/8 257.2	3 1/2 88.9	1 1/8 28.6	7 177.8	3 1/2 88.9	1 3/4 44.5	3 41/64 92.5	7/8	29.2 13.24
2 15/16 3	MPD-47 MPD-48	3-215D 3-3D	17412 77449	3 1/2 88.9	13 330.2	7 7/8 200.0	10 1/8 257.2	3 1/2 88.9	1 1/4 31.8	7 1/4 184.2	3 7/8 98.4	1 15/16 49.2	3 59/64 99.6	7/8	31.5 14.29
3 3/16 3 1/4	MPD-51 MPD-52	3-33D 2-34D	18681 83093	4 101.6	15 381.0	9 11/16 246.1	12 9/16 319.1	4 101.6	1 1/4 31.8	8 203.2	4 1/16 103.2	2 1/32 51.6	4 5/32 105.6	7/8	44.1 20.00
3 7/16 3 1/2	MPD-55 MPD-56	3-37D 2-38D	21566 95926	4 101.6	15 381.0	9 5/8 244.5	12 5/8 320.7	4 3/8 111.1	1 5/16 33.3	8 1/4 209.6	4 7/16 112.7	2 7/32 56.4	4 25/64 111.5	7/8	47.8 21.68
3 15/16 4	MPD-63 MPD-64	3-315D 3-4D	29905 133017	5 127.0	17 431.8	11 3/4 298.5	14 3/4 374.7	4 3/4 120.7	1 5/16 33.3	10 254.0	5 3/8 136.5	2 11/16 68.3	5 11/64 131.4	1	73.2 33.20

Performance Mounted Ball Bearings **SEALMASTER**®



- Duty:** Medium
- Rolling Elements:** Ball
- Housing:** Cast Iron Four Bolt Pillow Block - High Base
- Self Alignment:** +/- 2 Degrees
- Lock:** Setscrew
- Seal:** Felt
- Optional Seal:** Contact
- Temperature:** -20° to 220°F
- Relube:** Relube

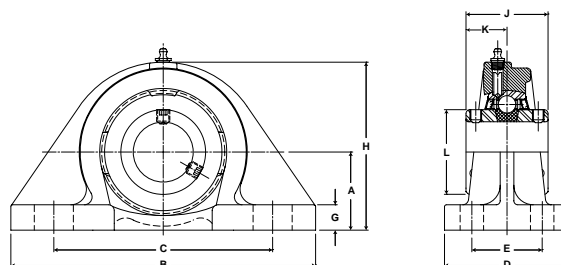


MFP Series Medium Duty Four-Bolt Base Pillow Blocks - Setscrew Locking

Bore Diameter		Part No.	Bearing Insert No.	Basic Dynamic Rating lb/N	Dimensions inch / mm											Bolt Size	Unit Wt. lb/kg	
inch	mm				A	B	C		D	E	G	H	J	K	L			
						min.	max.											
1 15/16 2	50	MFP-31	3-115	9752	2 1/2	9 3/4	6 3/8	7 5/8	4	2 1/4	13/16	5 3/8	2 3/16	1 5/16	2 23/32	5/8	13.7 6.21	
		MFP-32	2-2	43377	63.5	247.7	161.9	193.7	101.6	57.2	20.6	136.5	55.6	33.3	69.1			
		MFP-310	5310															
2 3/16 2 1/4	55	MFP-35	3-23	11789	2 3/4	10 1/4	6 7/8	8 1/8	4 1/8	2 1/4	7/8	5 13/16	2 9/16	1 9/16	2 63/64	5/8	17.0 7.71	
		MFP-36	2-24	52437	69.9	260.4	174.6	206.4	104.8	57.2	22.2	147.6	65.1	39.7	75.8			
		MFP-311	5311															
2 7/16 2 1/2	65	MFP-39	3-27	13971	3	11 1/4	7 1/2	9	4 1/2	2 5/8	1	6 1/2	2 3/4	1 11/16	3 7/16	5/8	23.3 10.57	
		MFP-40	3-28	62143	76.2	285.8	190.5	228.6	114.3	66.7	25.4	165.1	69.9	42.9	87.3			
		MFP-313	5313															
2 11/16	70	MFP-43	3-211	14839	3 1/2	13	9	10 1/2	5	2 3/4	1 1/8	7 1/4	3 1/16	1 3/4	3 41/64	3/4	34.0 15.42	
		MFP-314	5314	66004	88.9	330.2	228.6	266.7	127.0	69.9	28.6	184.2	77.8	44.5	92.5			
2 15/16 3	75	MFP-47	3-215	17412	3 1/2	13	9	10 1/2	5	2 3/4	1	7 3/8	3 1/4	1 15/16	3 59/64	3/4	36.5 16.56	
		MFP-48	3-3	77449	88.9	330.2	228.6	266.7	127.0	69.9	25.4	187.3	82.6	49.2	99.6			
		MFP-315	5315															
3 3/16 3 1/4	80	MFP-51	3-33	18681	4	15	10 3/4	12 1/4	5	3	1 1/16	8 7/16	3 3/8	2 1/32	4 5/32	3/4	44.5 20.18	
		MFP-52	2-34	83093	101.6	381.0	273.1	311.2	127.0	76.2	27.0	214.3	85.7	51.6	105.6			
		MFP-316	5316															
3 7/16 3 1/2		MFP-55	3-37	21566	4	15	10 3/4	12 1/4	5	3	1 1/16	8 7/16	3 25/32	2 7/32	4 25/64	3/4	48.6 22.04	
		MFP-56	2-38	95926	101.6	381.0	273.1	311.2	127.0	76.2	27.0	214.3	96.0	56.4	111.5			
3 15/16 4	100	MFP-63	3-315	29905	5	17	12 7/16	14 1/16	6	3 1/2	1 1/4	10 1/4	4 5/8	2 11/16	5 11/64	7/8	83.5 37.87	
		MFP-64	3-4	133017	127.0	431.8	315.9	357.2	152.4	88.9	31.8	260.4	117.5	68.3	131.4			
		MFP-320	5320															



Duty: Medium
Rolling Elements: Ball
Housing: Cast Iron Four Bolt Pillow Block - High Base
Self Alignment: +/- 2 Degrees
Lock: Double Setscrew
Seal: Felt
Optional Seal: Contact
Temperature: -20° to 220°F



MFPD Series Medium Duty Four-Bolt Base Pillow Blocks With Double Lock - Setscrew Locking

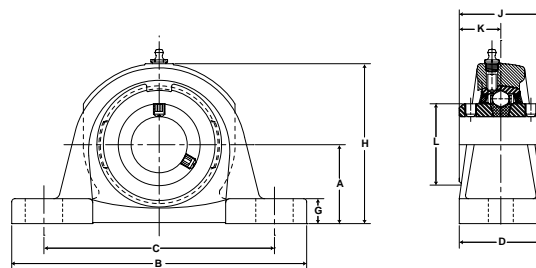
Bore Diameter inch	Part No.	Bearing Insert No.	Basic Dynamic Rating lb/N	Dimensions inch / mm											Bolt Size	Unit Wt. lb/kg
				A	B	C		D	E	G	H	J	K	L		
						min.	max.									
1 15/16	MFPD-31	3-115D	9752 43377	2 1/2 63.5	9 3/4 247.7	6 3/8 161.9	7 5/8 193.7	4 101.6	2 1/4 57.2	13/16 20.6	5 3/8 136.5	2 5/8 66.7	1 5/16 33.3	2 23/32 69.1	5/8	13.7 6.21
2 3/16	MFPD-35	3-23D	11789 52437	2 3/4 69.9	10 1/4 260.4	6 7/8 174.6	8 1/8 206.4	4 1/8 104.8	2 1/4 57.2	7/8 22.2	5 13/16 147.6	3 1/8 79.4	1 9/16 39.7	2 63/64 75.8	5/8	17 7.71
2 7/16 2 1/2	MFPD-39 MFPD-40	3-27D 3-28D	13971 62143	3 76.2	11 1/4 285.8	7 1/2 190.5	9 228.6	4 1/2 114.3	2 5/8 66.7	1 25.4	6 1/2 165.1	3 1/2 88.9	1 3/4 44.5	3 7/16 87.3	5/8	23.3 10.57
2 11/16	MFPD-43	3-211D	14839 66004	3 1/2 88.9	13 330.2	9 228.6	10 1/2 266.7	5 127.0	2 3/4 69.9	1 1/8 28.6	7 1/4 184.2	3 1/2 88.9	1 3/4 44.5	3 41/64 92.5	3/4	34 863.6
2 15/16 3	MFPD-47 MFPD-48	3-215D 3-3D	17412 77449	3 1/2 88.9	13 330.2	9 228.6	10 1/2 266.7	5 127.0	2 3/4 69.9	1 25.4	7 3/8 187.3	3 7/8 98.4	1 15/16 49.2	3 59/64 99.6	3/4	36.5 16.56
3 7/16 3 1/2	MFPD-55 MFPD-56	3-37D 2-38D	21566 95926	4 101.6	15 381.0	25 3/4 654.1	12 1/4 311.2	5 127.0	3 76.2	1 1/16 27.0	8 7/16 214.3	4 39/89 112.7	2 7/32 56.4	4 25/64 111.5	3/4	48.6 22.04
3 15/16 4	MFPD-63 MFPD-64	3-315D 3-4D	29905 133017	5 127.0	17 431.8	12 7/16 315.9	14 1/16 357.2	6 152.4	3 1/2 88.9	1 1/4 31.8	10 1/4 260.4	5 3/8 136.5	2 11/16 68.3	5 11/64 131.4	7/8	83.5 37.87
4 7/16 4 15/16 5	MFPD-71* MFPD-79* MFPD-80	3-47D 3-415D 3-500D	37482 166720	6 152.4	19 482.6	14 355.6	16 406.4	5 1/2 139.7	3 1/4 82.6	1 5/8 41.3	12 1/8 308.0	5 3/4 146.1	2 7/8 73.0	6 11/32 161.1	1	130.0 58.97

* Units MFPD-71, MFPD-79 and MFPD-80 are not available with contact seal.

Performance Mounted Ball Bearings **SEALMASTER**®



- Duty:** Medium
- Rolling Elements:** Ball
- Housing:** Cast Iron Pillow Block – Heavy Duty
- Self Alignment:** +/- 2 Degrees
- Lock:** Double Setscrew
- Seal:** Felt
- Optional Seal:** Contact
- Temperature:** -20° to 220°F



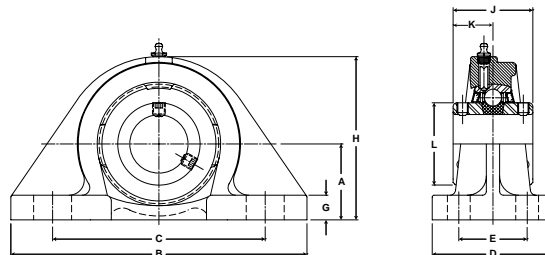
MSPD Series Medium Duty Pillow Blocks With Double Lock - Setscrew Locking

Bore Diameter inch	Part No.	Bearing Insert No.	Basic Dynamic Rating lb/N	Dimensions inch / mm										Bolt Size	Unit Wt. lb/kg
				A	B	C		D	G	H	J	K	L		
						min.	max.								
1 11/16 1 3/4	MSPD-27 MSPD-28	3-111D 3-112D	7889 35090	2 3/8 60.3	8 7/8 225.4	6 7/16 163.5	7 7/16 188.9	2 1/2 63.5	3/4 19.1	4 13/16 122.2	2 1/2 63.5	1 1/4 31.8	2 1/2 63.5	5/8	9.5 4.31
1 15/16 2	MSPD-31 MSPD-32	3-115D 2-2D	9752 43377	2 3/4 69.9	10 254.0	7 1/8 181.0	8 3/8 212.7	2 5/8 66.7	7/8 22.2	5 7/16 138.1	2 5/8 66.7	1 5/16 33.3	2 5/8 66.7	5/8	12.5 5.67
2 3/16 2 1/4	MSPD-35 MSPD-36	3-23D 2-24D	11789 52437	3 1/8 79.4	10 7/8 276.2	7 7/8 200.0	9 3/8 238.1	2 3/4 69.9	15/16 23.8	6 1/16 154.0	3 1/8 79.4	1 9/16 39.7	2 63/64 75.8	5/8	17.0 7.71
2 7/16 2 1/2	MSPD-39 MSPD-40	3-27D 3-28D	13971 62143	3 1/8 79.4	11 3/4 298.5	8 3/4 222.3	9 7/8 250.8	3 76.2	1 25.4	6 5/16 160.3	3 1/2 88.9	1 3/4 44.5	3 1/2 88.9	3/4	22.0 9.98
2 11/16	MSPD-43	3-211D	14839 66004	3 3/4 95.3	13 3/8 339.7	10 1/8 257.2	11 3/8 288.9	3 1/4 82.6	1 25.4	7 5/16 185.7	3 1/2 88.9	1 3/4 44.5	3 1/2 88.9	3/4	28.0 12.70
2 15/16 3	MSPD-47 MSPD-48	3-215D 3-3D	17412 77449	3 3/4 95.3	13 3/4 349.3	10 254.0	11 1/2 292.1	3 3/8 85.7	1 3/16 30.2	7 1/2 190.5	3 7/8 98.4	1 15/16 49.2	3 7/8 98.4	7/8	33.0 14.97
3 7/16 3 1/2	MSPD-55 MSPD-56	3-37D 2-38D	21566 95926	4 9/16 115.9	15 3/8 390.5	12 1/8 308.0	13 1/2 342.9	4 101.6	1 1/4 31.8	8 13/16 223.8	4 7/16 112.7	2 7/32 56.4	4 7/16 112.7	7/8	51.0 23.13
3 15/16 4	MSPD-63 MSPD-64	3-315D 3-4D	29905 133017	5 1/8 130.2	17 431.8	13 1/8 333.4	14 3/4 374.7	4 3/4 120.7	1 1/4 31.8	10 1/8 257.2	5 3/8 136.5	2 11/16 68.3	5 3/8 136.5	1	74.5 33.79
4 7/16 4 15/16	MSPD-71 MSPD-79	3-47D * 3-415D *	37482 166720	6 1/4 158.8	21 1/4 539.8	15 1/16 382.6	18 3/16 462.0	6 1/4 158.8	1 3/4 44.5	12 1/2 317.5	5 3/4 146.1	2 7/8 73.0	5 3/4 146.1	1 1/8	159.0 72.12

* Units MSPD-71 and MSPD-79 are not available with contact seal.



Duty:	Medium
Rolling Elements:	Ball
Housing:	Cast Iron Four Bolt Pillow Block – Heavy Duty
Self Alignment:	+/- 2 Degrees
Lock:	Double Setscrew
Seal:	Felt
Optional Seal:	Contact
Temperature:	-20° to 220°F



MSFPD Series Medium Duty Four-Bolt Base Pillow Blocks With Double Lock - Setscrew Locking

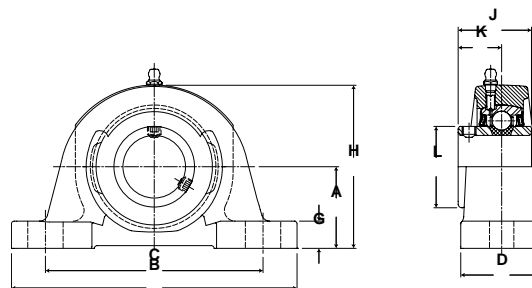
Bore Diameter inch	Part No.	Bearing Insert No.	Basic Dynamic Rating lb/N	Dimensions inch / mm											Bolt Size	Unit Wt. lb/kg
				A	B	C		D	E	G	H	J	K	L		
						min.	max.									
1 15/16 2	MSFPD-31 MSFPD-32	3-115D 2-2D	9752 43377	2 3/4 69.9	9 3/4 247.7	6 3/8 161.9	7 5/8 193.7	4 101.6	2 1/4 57.2	1 1/16 27.0	5 5/8 142.9	2 5/8 66.7	1 5/16 33.3	2 5/8 66.7	5/8	15.4 6.99
2 3/16 2 1/4	MSFPD-35 MSFPD-36	3-23D 2-24D	11789 52437	3 1/8 79.4	10 1/4 260.4	6 7/8 174.6	8 1/8 206.4	4 1/8 104.8	2 1/4 57.2	1 1/4 31.8	6 3/16 157.2	3 1/8 79.4	1 9/16 39.7	2 63/64 75.8	5/8	20.1 9.12
2 7/16 2 1/2	MSFPD-39 MSFPD-40	3-27D 3-28D	13971 62143	3 1/8 79.4	11 5/16 287.3	7 1/2 190.5	9 228.6	4 1/2 114.3	2 5/8 66.7	1 1/8 28.6	6 5/8 168.3	3 1/2 88.9	1 3/4 44.5	3 1/2 88.9	5/8	25.4 11.52
2 11/16	MSFPD-43	3-211D	14839 66004	3 3/4 95.3	13 330.2	9 228.6	10 1/2 266.7	5 127.0	2 3/4 69.9	1 3/8 34.9	7 1/2 190.5	3 1/2 88.9	1 3/4 44.5	3 1/2 88.9	3/4	37.3 16.92
2 15/16 3	MSFPD-47 MSFPD-48	3-215D 3-3D	17412 77449	3 3/4 95.3	13 330.2	9 228.6	10 1/2 266.7	5 127.0	2 3/4 69.9	1 1/4 31.8	7 5/8 193.7	3 7/8 98.4	1 15/16 49.2	3 7/8 98.4	3/4	40.1 18.19
3 3/16 3 1/4	MSFPD-51 MSFPD-52	3-33D 2-34D	18681 83093	4 1/8 104.8	15 381.0	10 3/4 273.1	12 1/4 311.2	5 127.0	3 76.2	1 3/16 30.2	8 9/16 217.5	4 1/16 103.2	2 1/32 51.6	4 5/32 105.6	3/4	51.2 23.22
3 7/16 3 1/2	MSFPD-55 MSFPD-56	3-37D 2-38D	21566 95926	4 9/16 115.9	15 381.0	10 3/4 273.1	12 1/4 311.2	5 127.0	3 76.2	1 1/4 31.8	9 228.6	4 7/16 112.7	2 7/32 56.4	4 7/16 112.7	3/4	51.8 23.50
3 15/16 4	MSFPD-63 MSFPD-64	3-315D 3-4D	29905 133017	5 1/8 130.2	17 431.8	12 7/16 315.9	14 1/16 357.2	6 152.4	3 1/2 88.9	1 3/8 34.9	10 3/8 263.5	5 3/8 136.5	2 11/16 68.3	5 3/8 136.5	7/8	84.6 38.37
4 7/16 4 15/16	MSFPD-71 MSFPD-79	3-47D 3-415D	37482 166720	6 1/4 158.8	19 482.6	14 355.6	16 406.4	5 1/2 139.7	3 1/4 82.6	1 7/8 47.6	12 3/8 314.3	5 3/4 146.1	2 7/8 73.0	5 3/4 146.1	1	136.0 61.69

Units MSFPD-71 and MSFPD-79 are not available with contact seal.

Performance Mounted Ball Bearings **SEALMASTER**®



- Duty:** Medium
- Rolling Elements:** Ball
- Housing:** Cast Iron Pillow Block - Heavy Duty
- Self Alignment:** +/- 2 Degrees
- Lock:** Setscrew
- Seal:** Felt
- Optional Seal:** Contact
- Temperature:** -20° to 220°F

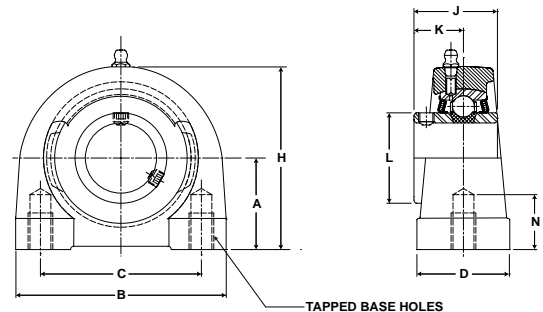


SPM Series Medium Duty Pillow Blocks - Setscrew Locking

Bore Diameter inch	Part No.	Bearing Insert No.	Basic Dynamic Rating lb/N	Dimensions inch / mm										Bolt Size	Unit Wt. lb/kg
				A	B	C		D	G	H	J	K	L		
						min.	max.								
1 3/16	SPM-19	3-13	5782 25718	2 50.8	7 1/2 190.5	5 3/8 136.5	6 1/8 155.6	2 50.8	5/8 15.9	3 7/8 98.4	1 11/16 42.9	1 25.4	1 55/64 47.2	1/2	6.9 3.13
1 7/16	SPM-23	3-17	7340 32648	2 3/8 60.3	8 1/4 209.6	5 5/8 142.9	6 7/8 174.6	2 1/4 57.2	3/4 19.1	4 1/2 114.3	1 15/16 49.2	1 3/16 30.2	2 1/16 52.4	5/8	7.1 3.22
1 11/16 1 3/4	SPM-27 SPM-28	3-111 3-112	7889 35090	2 3/8 60.3	8 3/4 222.3	5 7/8 149.2	7 1/8 181.0	2 3/8 60.3	3/4 19.1	4 5/8 117.5	2 1/32 51.6	1 9/32 32.5	2 15/32 62.7	5/8	9.7 4.40
1 15/16	SPM-31	3-115	9752 43377	2 3/4 69.9	10 1/2 266.7	6 3/4 171.5	8 1/2 215.9	2 1/2 63.5	7/8 22.2	5 5/16 134.9	2 3/16 55.6	1 5/16 33.3	2 23/32 69.1	5/8	11.9 5.40
2 3/16	SPM-35	3-23	11789 52437	3 1/8 79.4	11 1/4 285.8	7 5/8 193.7	9 3/8 238.1	2 3/4 69.9	7/8 22.2	5 15/16 150.8	2 9/16 65.1	1 9/16 39.7	2 63/64 75.8	5/8	16.6 7.53
2 7/16 2 1/2	SPM-39 SPM-40	3-27 3-28	13971 62143	3 1/8 79.4	11 1/2 292.1	7 7/8 200.0	9 3/8 238.1	3 76.2	7/8 22.2	6 1/4 158.8	2 3/4 69.9	1 11/16 42.9	3 7/16 87.3	3/4	20.1 9.12



- Duty:** Standard
- Rolling Elements:** Ball
- Housing:** Cast Iron Tapped Base Pillow Block
- Self Alignment:** +/- 2 Degrees
- Lock:** Setscrew
- Seal:** Felt
- Optional Seal:** Contact
- Temperature:** -20° to 220°F



TB Series Tapped Base Pillow Blocks - Setscrew Locking

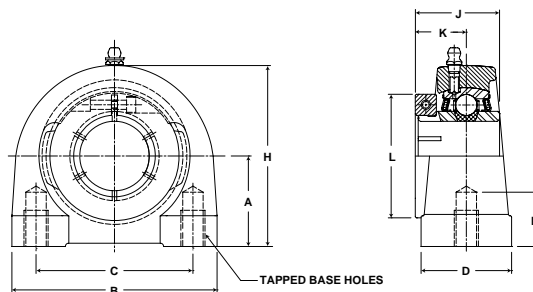
Bore Diameter		Part No.	Bearing Insert No.	Basic Dynamic Rating lb/N	Dimensions inch / mm								Bolt UNC-2B Thread	Unit Wt. lb/kg	
inch	mm				A	B	C	D	H	J	K	L			N Tap Depth
1/2	20	TB-8	2-08	2611	1 5/16	3 1/8	2	1 1/2	2 9/16	1 7/32	23/32	1 3/16	1/2	3/8-16	1.8
9/16		TB-9	2-09												
5/8		TB-10	2-010												
11/16		TB-11	2-011												
3/4		TB-12	2-012												
		TB-204	5204												
7/8	25	TB-14	2-014	2801	1 7/16	3	2	1 1/2	2 13/16	1 3/8	13/16	1 3/8	1/2	3/8-16	2.0
15/16		TB-15	2-015												
1		TB-16	2-1												
		TB-205	5205												
1 1/16	30	TB-17	2-11	4381	1 11/16	4	3	1 1/2	3 13/32	1 1/2	7/8	1 19/32	5/8	7/16-14	3.5
1 1/8		TB-18	2-12												
1 3/16		TB-19	2-13												
1 1/4		TB-20R	1-14												
		TB-206	5206												
1 1/4	35	TB-20	2-14	5782	1 7/8	4 1/4	3 1/4	1 7/8	3 3/4	1 11/16	1	1 55/64	3/4	1/2-13	4.5
1 5/16		TB-21	2-15												
1 3/8		TB-22	2-16												
1 7/16		TB-23	2-17												
		TB-207	5207												
1 1/2	40	TB-24	2-18	7340	1 15/16	4 5/8	3 1/2	1 7/8	3 15/16	1 15/16	1 3/16	2 1/16	3/4	1/2-13	6.0
1 9/16		TB-25	2-19												
		TB-208	5208												
1 5/8	45	TB-26	2-110	7901	2 1/8	5	3 3/4	2	4 1/4	1 15/16	1 3/16	2 19/64	3/4	1/2-13	6.5
1 11/16		TB-27	2-111												
1 3/4		TB-28	2-112												
		TB-209	5209												
1 7/8	50	TB-30	2-114	7889	2 1/4	5 1/2	4	2	4 5/8	2 1/32	1 9/32	2 15/32	7/8	5/8-11	8.0
1 15/16		TB-31	2-115												
2		TB-32R	1-2												
		TB-210	5210												

Performance Mounted Ball Bearings **SEALMASTER**®

Mtd. Ball Bearings



- Duty:** Standard
- Rolling Elements:** Ball
- Housing:** Cast Iron Tapped Base Pillow Block
- Self Alignment:** +/- 2 Degrees
- Lock:** SKWEZLOC Locking Collar
- Seal:** Felt
- Optional Seal:** Contact
- Temperature:** -20° to 220°F



TB-T Series Standard Duty Tapped Base Pillow Block - SKWEZLOC Locking Collar - Inch

Bore Diameter inch	Part No.	Bearing Insert No.	Basic Dynamic Rating lb/N	Dimensions inch / mm									N Tap Depth	Bolt UNC-2B Thread	Unit Wt. lb/kg
				A	B	C	D	H	J	K	L				
3/4	*TB-12T	2-012T	2611 11614	1 5/16 33.3	3 1/8 79.4	2 52.0	1 1/2 38.1	2 9/16 65.1	1 9/32 32.5	25/32 19.8	1 3/4 44.5	1/2 12.7	3/8-16	1.8 .82	
15/16 1	TB-15T TB-16	2-015T 2-1T	2801 12459	1 7/16 36.5	3 76.2	2 56.0	1 1/2 38.1	2 13/16 71.4	1 7/16 36.5	7/8 22.2	1 15/16 49.2	1/2 12.7	3/8-16	2.0 .91	
1 1/8 1 3/16 1 1/4	TB-18T TB-19T TB-20RT	2-12T 2-13T 1-14T	4381 19487	1 11/16 42.9	4 101.6	3 65.9	1 1/2 38.1	3 13/32 86.5	1 9/16 39.7	15/16 23.8	2 3/16 55.6	5/8 15.9	7/16-14	3.7 1.68	
1 1/4	TB-20T	2-14T	5782 25718	1 7/8 47.6	4 1/4 108.0	3 1/4 82.6	1 7/8 47.6	3 3/4 95.3	1 3/4 44.5	1 1/16 27.0	2 7/16 61.9	3/4 19.1	1/2-13	4.8 2.18	
1 3/8 1 7/16	TB-22T TB-23T	2-16T 2-17T	5782 25718	1 7/8 47.6	4 1/4 108.0	3 1/4 80.2	1 7/8 47.6	3 3/4 95.3	1 3/4 44.5	1 1/16 27.0	2 9/16 65.1	3/4 19.1	1/2-13	4.8 2.18	
1 1/2	TB-24T	2-18T	7340 32648	1 15/16 49.2	4 5/8 117.5	3 1/2 84.1	1 7/8 47.6	3 15/16 100.0	2 50.8	1 1/4 31.8	2 11/16 68.3	3/4 19.1	1/2-13	6.3 2.86	
1 5/8	TB-26T	2-110T	7901 35144	2 1/8 54.0	5 127.0	3 3/4 95.3	2 50.8	4 1/4 108.0	2 50.8	1 1/4 31.8	2 13/16 71.4	3/4 19.1	1/2-13	6.8 3.08	
1 11/16 1 3/4	TB-27T TB-28T	2-111T 2-112T	7901 35144	2 1/8 54.0	5 127.0	3 3/4 90.1	2 50.8	4 1/4 108.0	2 50.8	1 1/4 31.8	2 15/16 74.6	3/4 19.1	1/2-13	6.8 3.08	
1 15/16 2	TB-31T TB-32RT	2-115T 1-2T	7889 35090	2 1/4 57.2	5 1/2 139.7	4 94.1	2 50.8	4 5/8 117.5	2 3/32 53.2	1 11/32 34.1	3 3/8 85.7	7/8 22.2	5/8-11	8.6 3.90	

* Bearing reversed in housing for collar clearance

TB-T Series Standard Duty Tapped Base Pillow Block - SKWEZLOC Locking Collar - Metric -SKWEZ™

Bore Diameter mm	Part No.	Bearing Insert No.	Basic Dynamic Rating N/lb	Dimensions mm / inch									M Bolt Thread mm	Unit Wt. kg/lb
				A	B	C	D	H	J	K	L	N Min. Tap Depth		
20	*TB-204TMC	5204TMC	11614 2611	33.3 1 5/16	79.4 3 1/8	52.0 2	38.1 1 1/2	65.1 2 9/16	32.5 1 9/32	19.8 25/32	44.5 1 3/4	12.7 1/2	M10 x 1.5	.82 1.8
25	TB-205TMC	5205TMC	12459 2801	36.5 1 7/16	76.2 3	56.0 2	38.1 1 1/2	71.4 2 13/16	36.5 1 7/16	22.2 7/8	49.2 1 15/16	12.7 1/2	M10 x 1.5	.91 2.0
30	TB-206TMC	5206TMC	19487 4381	42.9 1 11/16	101.6 4	65.9 3	38.1 1 1/2	86.5 3 13/32	39.7 1 9/16	23.8 15/16	55.6 2 3/16	15.9 5/8	M14 x 2.0	1.68 3.7
35	TB-207TMC	5207TMC	25718 5782	47.6 1 7/8	108.0 4 1/4	80.2 3 1/4	47.6 1 7/8	95.3 3 3/4	44.5 1 3/4	27.0 1 1/16	65.1 2 9/16	19.1 3/4	M14 x 2.0	2.18 4.8
40	TB-208TMC	5208TMC	32648 7340	49.2 1 15/16	117.5 4 5/8	84.1 3 1/2	47.6 1 7/8	100.0 3 15/16	50.8 2	31.8 1 1/4	68.3 2 11/16	19.1 3/4	M14 x 2.0	2.86 6.3
45	TB-209TMC	5209TMC	35144 7901	54.0 2 1/8	127.0 5	90.1 3 3/4	50.8 2	108.0 4 1/4	50.8 2	31.8 1 1/4	74.6 2 15/16	19.1 3/4	M14 x 2.0	3.08 6.8
50	TB-210TMC	5210TMC	35090 7889	57.2 2 1/4	139.7 5 1/2	94.1 4	50.8 2	117.5 4 5/8	53.2 2 3/32	34.1 1 11/32	85.7 3 3/8	22.2 7/8	M16 x 2.0	3.90 8.6

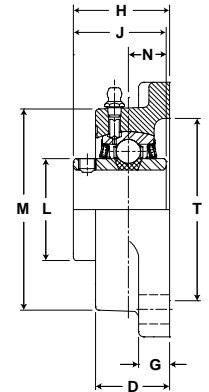
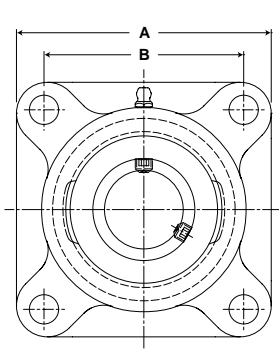
* Bearing reversed in housing for collar clearance

SEALMASTER®

Performance Mounted Ball Bearings



- Duty:** Standard
- Rolling Elements:** Ball
- Housing:** Cast Iron Four Bolt Flange
- Self Alignment:** +/- 2 Degrees
- Lock:** Setscrew
- Seal:** Felt
- Optional Seal:** Contact
- Temperature:** -20° to 220°F



SF Series Standard Duty Four-Bolt Flange Units - Setscrew Locking

Bore Diameter		Part No.	Bearing Insert No.	Basic Dynamic Rating lb/N	Dimensions inch / mm										Bolt Size	Unit Wt. lb/kg
inch	mm				A	B*	D	G	H	J	N	L	M	T Core		
1/2		SF-8	2-08													
9/16		SF-9	2-09	2611	3	2 1/8	59/64	7/16	1 9/32	1 7/32	1/2	1 3/16	2 17/64	2	3/8	1.4
5/8		SF-10	2-010	11614	76.2	54.0	23.4	11.1	32.5	31.0	12.7	30.2	57.5	50.8		.64
11/16		SF-11	2-011													
3/4	20	SF-12	2-012	2611	3 3/8	2 1/2	59/64	7/16	1 9/32	1 7/32	1/2	1 3/16	2 11/32	2	3/8	1.5
		SF-204	5204	11614	85.7	63.5	23.4	11.1	32.5	31.0	12.7	30.2	59.5	50.8		.68
13/16		SF-13	2-013													
7/8		SF-14	2-014	2801	3 3/4	2 3/4	1 1/32	17/32	1 7/16	1 3/8	9/16	1 3/8	2 23/32	2 3/8	7/16	2.1
15/16		SF-15	2-015	12459	95.3	69.9	26.2	13.5	36.5	34.9	14.3	34.9	69.1	60.3		.95
1	25	SF-16	2-1													
		SF-205	5205													
1 1/16		SF-17	2-11													
1 1/8		SF-18	2-12	4381	4 1/4	3 1/4	1 11/64	17/32	1 9/16	1 1/2	5/8	1 19/32	3 7/32	2 7/8	7/16	3.6
1 3/16		SF-19	2-13	19487	108.0	82.6	29.8	13.5	39.7	38.1	15.9	40.5	81.8	73.0		1.63
1 1/4	30	SF-20R	1-14													
		SF-206	5206													
1 1/4		SF-20	2-14													
1 5/16		SF-21	2-15	5782	4 5/8	3 5/8	1 11/32	9/16	1 3/4	1 11/16	11/16	1 55/64	3 23/32	3 5/16	1/2	4.1
1 3/8		SF-22	2-16	25718	117.5	92.1	34.1	14.3	44.5	42.9	17.5	47.2	94.5	84.1		1.86
1 7/16	35	SF-23	2-17													
		SF-207	5207													
1 1/2		SF-24	2-18													
1 9/16	40	SF-25	2-19	7340	5 1/8	4	1 1/2	9/16	2 1/64	1 15/16	3/4	2 1/16	4 5/64	3 1/2	1/2	5.5
		SF-208	5208	32648	130.2	101.6	38.1	14.3	51.2	49.2	19.1	52.4	103.6	88.9		2.49
1 5/8		SF-26	2-110													
1 11/16		SF-27	2-111	7901	5 3/8	4 1/8	1 9/16	9/16	2 3/64	1 15/16	3/4	2 19/64	4 21/64	3 7/8	9/16	5.7
1 3/4	45	SF-28	2-112	35144	136.5	104.8	39.7	14.3	52.0	49.2	19.1	58.3	109.9	98.4		2.59
		SF-209	5209													
1 13/16		SF-29	2-113													
1 7/8		SF-30	2-114	7889	5 5/8	4 3/8	1 9/16	9/16	2 5/32	2 1/32	3/4	2 15/32	4 33/64	4	9/16	6.4
1 15/16		SF-31	2-115	35090	142.9	111.1	39.7	14.3	54.8	51.6	19.1	62.7	114.7	101.6		2.90
2	50	SF-32R	1-2													
		SF-210	5210													
2		SF-32	2-2													
2 1/8		SF-34	2-22	9752	6 3/8	5 1/8	1 3/4	13/16	2 5/16	2 3/16	7/8	2 23/32	5 3/16	4 1/4	5/8	10.5
2 3/16	55	SF-35	2-23	43377	161.9	130.2	44.5	20.6	58.7	55.6	22.2	69.1	131.8	108.0		4.76
		SF-211	5211													
2 1/4		SF-36	2-24													
2 3/8		SF-38	2-26	11789	6 7/8	5 5/8	1 15/16	13/16	2 11/16	2 9/16	1	2 63/64	5 7/16	5	5/8	11.8
2 7/16	60	SF-39	2-27	52437	174.6	142.9	49.2	20.6	68.3	65.1	25.4	75.8	138.1	127.0		5.35
		SF-212	5212													
2 1/2		SF-40	3-28													
2 11/16	70	SF-43	2-211	13971	7 3/8	5 7/8	2 5/16	11/16	3	2 3/4	1 1/16	3 7/16	6 1/8	5 1/8	5/8	16.4
		SF-214	5214	62143	187.3	149.2	58.7	17.5	76.2	69.9	27.0	87.3	155.6	130.2		7.44
2 7/8		SF-46	2-214													
2 15/16	75	SF-47	2-215	14839	7 3/4	6	2 3/8	1	3 3/16	3 1/16	1 5/16	3 41/64	6 1/2	5 7/8	3/4	19.4
		SF-215	5215	66004	196.9	152.4	60.3	25.4	81.0	77.8	33.3	92.5	165.1	149.2		8.80

*To obtain bolt circle, multiply B x 1.414".

Metric dimensions for reference only.

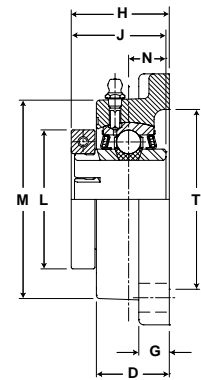
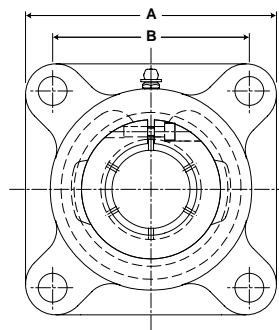
Performance Mounted Ball Bearings **SEALMASTER**®

Mtd. Ball Bearings



To obtain bolt circle, multiply B x 1.414.

- Duty:** Standard
- Rolling Elements:** Ball
- Housing:** Cast Iron Four Bolt Flange
- Self Alignment:** +/- 2 Degrees
- Lock:** SKWEZLOC Locking Collar
- Seal:** Felt
- Optional Seal:** Contact
- Temperature:** -20° to 220°F



SF-T Series Standard Duty Four Bolt Flange - SKWEZLOC Locking Collar - Inch

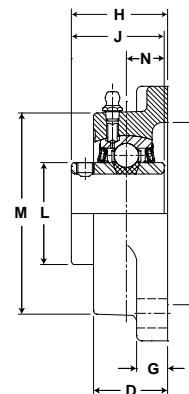
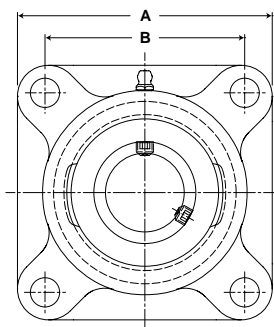
Bore Diameter inch	Part No.	Bearing Insert No.	Basic Dynamic Rating lb/N	Dimensions inch / mm											Bolt Size	Unit Wt. lb/kg
				A	B*	D	G	H	J	L	M	N	T Core			
3/4	SF-12T	2-012T	2611 11614	3 3/8 85.7	2 1/2 63.5	59/64 23.4	7/16 11.1	1 11/32 34.1	1 9/32 32.5	1 3/4 44.5	2 11/32 59.5	1/2 12.7	2 50.8	3/8	1.6 .73	
15/16 1	SF-15T SF-16T	2-015T 2-1T	2801 12459	3 3/4 95.3	2 3/4 69.9	1 1/32 26.2	17/32 13.5	1 1/2 38.1	1 7/16 36.5	1 15/16 49.2	2 23/32 69.1	9/16 14.3	2 3/8 60.3	7/16	2.3 1.04	
1 1/8 1 3/16 1 1/4	SF-18T SF-19T SF-20RT	2-12T 2-13T 1-14T	4381 19487	4 1/4 108.0	3 1/4 82.6	1 11/64 29.8	17/32 13.5	1 5/8 41.3	1 9/16 39.7	2 3/16 55.6	3 7/32 81.8	5/8 15.9	2 7/8 73.0	7/16	3.8 1.72	
1 1/4	SF-20T	2-14T	5782 25718	4 5/8 117.5	3 5/8 92.1	1 11/32 34.1	9/16 14.3	1 13/16 46.0	1 3/4 44.5	2 7/16 61.9	3 23/32 94.5	11/16 17.5	3 5/16 84.1	7/16	4.4 2.00	
1 3/8 1 7/16	SF-22T SF-23T	2-16T 2-17T	5782 25718	4 5/8 117.5	3 5/8 92.1	1 11/32 34.1	9/16 14.3	1 13/16 46.0	1 3/4 44.5	2 9/16 65.1	3 23/32 94.5	11/16 17.5	3 1/2 88.9	1/2	4.4 2.00	
1 1/2	SF-24T	2-18T	7340 32648	5 1/8 130.2	4 101.6	1 1/2 38.1	9/16 14.3	2 5/64 52.8	2 50.8	2 11/16 68.3	4 1/8 104.8	3/4 19.1	3 7/8 98.4	1/2	5.8 2.63	
1 5/8	SF-26T	2-110T	7901 35144	5 3/8 136.5	4 1/8 104.8	1 9/16 39.7	9/16 14.3	2 7/64 53.6	2 50.8	2 13/16 71.4	4 21/64 109.9	3/4 19.1	3 7/8 98.4	9/16	6.0 2.72	
1 11/16 1 3/4	SF-27T SF-28T	2-111T 2-112T	7901 35144	5 3/8 136.5	4 1/8 104.8	1 9/16 39.7	9/16 14.3	2 7/64 53.6	2 50.8	2 15/16 74.6	4 21/64 109.9	3/4 19.1	3 7/8 98.4	9/16	6.0 2.72	
1 15/16 2	SF-31T SF-32RT	2-115T 1-2T	7889 35090	5 5/8 142.9	4 3/8 111.1	1 9/16 39.7	9/16 14.3	2 7/32 56.4	2 3/32 53.2	3 3/8 85.7	4 33/64 114.7	3/4 19.1	4 101.6	9/16	7.0 3.18	
2	SF-32T	2-2T	9752 43377	6 3/8 161.9	5 1/8 130.2	1 3/4 44.5	13/16 20.6	2 3/8 60.3	2 1/4 57.2	3 1/2 88.9	5 3/16 131.8	7/8 22.2	4 1/4 108.0	9/16	11.1 5.03	
2 1/8 2 3/16	SF-34T SF-35T	2-22T 2-23T	9752 43377	6 3/8 161.9	5 1/8 130.2	1 3/4 44.5	13/16 20.6	2 3/8 60.3	2 1/4 57.2	3 5/8 92.1	5 3/16 131.8	7/8 22.2	4 1/4 108.0	5/8	11.1 5.03	
2 1/4	SF-36T	2-24T	11789 52437	6 7/8 174.6	5 5/8 142.9	1 15/16 49.2	13/16 20.6	2 3/4 69.9	4 1/16 103.2	4 1/16 103.2	5 7/16 138.1	1 25.4	5 127.0	5/8	13.0 5.90	
2 3/8 2 7/16	SF-38T SF-39T	2-26T 2-27T	11789 52437	6 7/8 174.6	5 5/8 142.9	1 15/16 49.2	13/16 20.6	2 3/4 69.9	4 1/8 104.8	4 1/8 104.8	5 7/16 138.1	1 25.4	5 127.0	5/8	13.0 5.90	

SF-T Series Standard Four Bolt Flange - SKWEZLOC Locking Collar - Metric -SKWEZ™

Bore Diameter mm	Part No.	Bearing Insert No.	Basic Dynamic Rating N/lb	Dimensions mm / inch											Bolt Size	Unit Wt. kg/lb
				A	B*	D	G	H	J	L	M	N	T Core			
20	SF-204TMC	5204TMC	11614 2611	85.7 3 3/8	63.5 2 1/2	23.4 59/64	11.1 7/16	34.1 1 11/32	32.5 1 9/32	44.5 1 3/4	59.5 2 11/32	12.7 1/2	50.8 2	M10	.73 1.6	
25	SF-205TMC	5205TMC	12459 2801	95.3 3 3/4	69.9 2 3/4	26.2 1 1/32	13.5 17/32	38.1 1 1/2	36.5 1 7/16	49.2 1 15/16	69.1 2 23/32	14.3 9/16	60.3 2 3/8	M10	1.04 2.3	
30	SF-206TMC	5206TMC	19487 4381	108.0 4 1/4	82.6 3 1/4	29.8 1 11/64	13.5 17/32	41.3 1 5/8	39.7 1 9/16	55.6 2 3/16	81.8 3 7/32	15.9 5/8	73.0 2 7/8	M12	1.72 3.8	
35	SF-207TMC	5207TMC	25718 5782	117.5 4 5/8	92.1 3 5/8	34.1 1 11/32	14.3 9/16	46.0 1 13/16	44.5 1 3/4	65.1 2 9/16	94.5 3 23/32	17.5 11/16	88.9 3 1/2	M14	2.00 4.4	
40	SF-208TMC	5208TMC	32648 7340	130.2 5 1/8	101.6 4	38.1 1 1/2	14.3 9/16	52.8 2 5/64	50.8 2	68.3 2 11/16	104.8 4 1/8	19.1 3/4	98.4 3 7/8	M14	2.63 5.8	
45	SF-209TMC	5209TMC	35144 7901	136.5 5 3/8	104.8 4 1/8	39.7 1 9/16	14.3 9/16	53.6 2 7/64	50.8 2	74.6 2 15/16	109.9 4 21/64	19.1 3/4	98.4 3 7/8	M14	2.72 6.0	
50	SF-210TMC	5210TMC	35090 7889	142.9 5 5/8	111.1 4 3/8	39.7 1 9/16	14.3 9/16	56.4 2 7/32	53.2 2 3/32	85.7 3 3/8	114.7 4 33/64	19.1 3/4	101.6 4	M16	3.18 7.0	
55	SF-211TMC	5211TMC	43377 9752	161.9 6 3/8	130.2 5 1/8	44.5 1 3/4	20.6 13/16	60.3 2 3/8	57.2 2 1/4	92.1 3 5/8	131.8 5 3/16	22.2 7/8	108.0 4 1/4	M16	5.03 11.1	
60	SF-212TMC	5212TMC	52437 11789	174.6 6 7/8	142.9 5 5/8	49.2 1 15/16	20.6 13/16	69.9 2 3/4	104.8 4 1/8	104.8 4 1/8	138.1 5 7/16	25.4 1	127.0 5	M16	5.90 13.0	



- Duty:** Medium
- Rolling Elements:** Ball
- Housing:** Cast Iron Four Bolt Flange
- Self Alignment:** +/- 2 Degrees
- Lock:** Setscrew
- Seal:** Felt
- Optional Seal:** Contact
- Temperature:** -20° to 220°F



MSF Series Medium Duty Four-Bolt Flange Units - Setscrew Locking

Bore Diameter		Part No.	Bearing Insert No.	Basic Dynamic Rating lb/N	Dimensions inch / mm										Bolt Size	Unit Wt. lb/kg
inch	mm				A	B*	D	G	H	J	N	L	M	T Core		
15/16 1	25	MSF-15	3-015	4381 19487	4 1/4	3 1/4	1 11/64	17/32	1 9/16	1 1/2	5/8	1 19/32	3 7/32	2 7/8	7/16	3.6 1.63
		MSF-16	3-1		108.0	82.6	29.8	13.5	39.7	38.1	15.9	40.5	81.8	73.0		
		MSF-305	5305													
1 3/16 1 1/4	30	MSF-19	3-13	5782 25718	4 5/8	3 5/8	1 11/32	9/16	1 3/4	1 11/16	11/16	1 55/64	3 23/32	3 5/16	1/2	4.1 1.86
		MSF-20	2-14		117.5	92.1	34.1	14.3	44.5	42.9	17.5	47.2	94.5	84.1		
		MSF-306	5306													
1 7/16	35	MSF-23	3-17	7340	5 1/8	4	1 1/2	9/16	2 1/64	1 15/16	3/4	2 1/16	4 5/64	3 1/2	1/2	5.5 2.49
		MSF-307	5307	32648	130.2	101.6	38.1	14.3	51.2	49.2	19.1	52.4	103.6	88.9		
1 1/2	40	MSF-24	3-18	7901	5 3/8	4 1/8	1 9/16	9/16	2 3/64	1 15/16	3/4	2 19/64	4 21/64	3 7/8	9/16	6.0 2.72
		MSF-308	5308	35144	136.5	104.8	39.7	14.3	52.0	49.2	19.1	58.3	109.9	98.4		
1 11/16 1 3/4	45	MSF-27	3-111	7889	5 5/8	4 3/8	1 9/16	9/16	2 5/32	2 1/32	3/4	2 15/32	4 33/64	4	9/16	6.8 3.08
		MSF-28	3-112	35090	142.9	111.1	39.7	14.3	54.8	51.6	19.1	62.7	114.7	101.6		
		MSF-309	5309													
1 15/16 2	50	MSF-31	3-115	9752	6 3/8	5 1/8	1 3/4	13/16	2 5/16	2 3/16	7/8	2 23/32	5 3/16	4 1/4	5/8	10.5 4.76
		MSF-32	2-2	43377	161.9	130.2	44.5	20.6	58.7	55.6	22.2	69.1	131.8	108.0		
		MSF-310	5310													
2 3/16 2 1/4	55	MSF-35	3-23	11789	6 7/8	5 5/8	1 15/16	13/16	2 11/16	2 9/16	1	2 63/64	5 7/16	5	5/8	12.1 5.49
		MSF-36	2-24	52437	174.6	142.9	49.2	20.6	68.3	65.1	25.4	75.8	138.1	127.0		
		MSF-311	5311													
2 7/16 2 1/2	65	MSF-39	3-27	13971	7 3/8	5 7/8	2 5/16	11/16	3	2 3/4	1 1/16	3 7/16	6 1/8	5 10/77	5/8	16.4 7.44
		MSF-40	3-28	62143	187.3	149.2	58.7	17.5	76.2	69.9	27.0	87.3	155.6	130.3		
		MSF-313	5313													
2 11/16	70	MSF-43	3-211	14839	7 3/4	6	2 3/8	1	3 3/16	3 1/16	1 5/16	3 41/64	6 1/2	5 22/25	3/4	20.6 9.34
		MSF-314	5314	66004	196.9	152.4	60.3	25.4	81.0	77.8	33.3	92.5	165.1	149.4		
2 15/16 3	75	MSF-47	3-215	17412	7 3/4	6	2 11/16	7/8	3 1/2	3 1/4	1 5/16	3 59/64	6 3/4	5 14/25	3/4	21.4 9.71
		MSF-48	3-3	77449	196.9	152.4	68.3	22.2	88.9	82.6	33.3	99.6	171.5	141.2		
		MSF-315	5315													
3 3/16 3 1/4	80	MSF-51	3-33	18681	8 7/16	6 3/4	2 3/4	1	3 17/32	3 3/8	1 11/32	4 5/32	7 1/4	6	3/4	26.7 12.11
		MSF-52	2-34	83093	214.3	171.5	69.9	25.4	89.7	85.7	34.1	105.6	184.2	152.4		
		MSF-316	5316													
3 7/16 3 1/2		MSF-55	3-37	21566	8 7/16	6 3/4	3	1	3 31/32	3 25/32	1 9/16	4 25/64	7 3/4	6 22/71	7/8	30.0 13.61
		MSF-56	3-38	95926	214.3	171.5	76.2	25.4	100.8	96.0	39.7	111.5	196.9	160.3		
3 15/16 4	100	MSF-63	3-315	29905	10 9/16	8 5/16	3 13/16	1 1/4	5	4 5/8	1 15/16	5 11/64	9 1/4	7 11/25	1	55.1 24.99
		MSF-64	3-4	133017	268.3	211.1	96.8	31.8	127.0	117.5	49.2	131.4	235.0	189.0		
		MSF-320	5320													
4 7/16 4 15/16		MSFD-71	3-47D	37482	12 3/4	10	4 3/4	1 9/16	6	5 3/4	2 7/8	6 11/32	11 1/2	9 1/2	1 1/4 32	115.0 52.16
		MSFD-79	3-415D	166720	323.9	254.0	120.7	39.7	152.4	146.1	73.0	161.1	292.1	241.3		

Units MSFD-71 and MSFD-79 are equipped with four set screws: two on each end of inner race extensions.

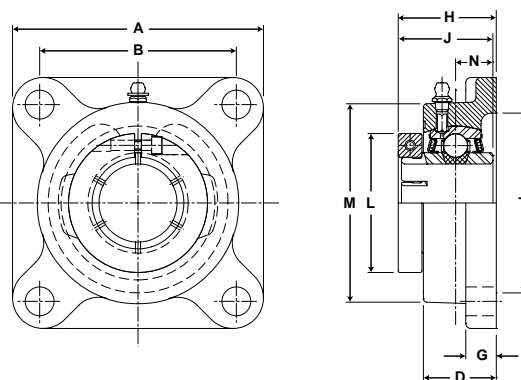
Units MSFD-71 and MSFD-79 are not available with contact seal.

*To obtain bolt circle, multiply B x 1.414".

Performance Mounted Ball Bearings **SEALMASTER®**



- Duty:** Medium
- Rolling Elements:** Ball
- Housing:** Cast Iron Four Bolt Flange
- Self Alignment:** +/- 2 Degrees
- Lock:** SKWEZLOC Locking Collar
- Seal:** Felt
- Optional Seal:** Contact
- Temperature:** -20° to 220°F



MSF-T Series Medium Duty Four-Bolt Flange Units - SKWEZLOC Locking Collar

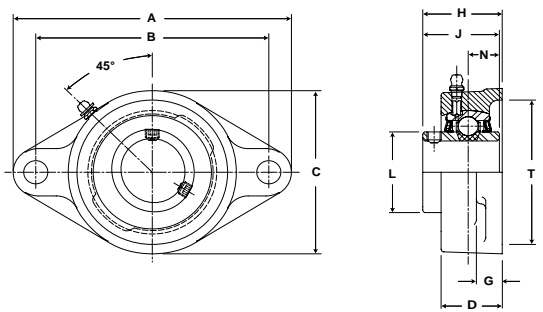
Bore Diameter inch	Part No.	Bearing Insert No.	Basic Dynamic Rating lb/N	Dimensions inch / mm										Bolt Size	Unit Wt. lb/kg
				A	B*	D	G	H	J	N	L	M	T Core		
1	MSF-16T	3-1T	4381 19487	4 1/4 108.0	3 1/4 82.6	1 11/64 29.8	17/32 13.5	1 5/8 41.3	1 9/16 39.7	5/8 15.9	2 1/16 52.4	3 7/32 81.8	2 7/8 73.0	7/16	3.8 1.72
1 3/16 1 1/4	MSF-19T MSF-20T	3-13T 2-14T	5782 25718	4 5/8 117.5	3 5/8 92.1	1 11/32 34.1	9/16 14.3	1 13/16 46.0	1 3/4 44.5	11/16 17.5	2 7/16 61.9	3 23/32 94.5	3 5/16 84.1	1/2	4.4 2.00
1 7/16	MSF-23T	3-17T	7340 32648	5 1/8 130.2	4 101.6	1 1/2 38.1	9/16 14.3	2 5/64 52.8	2 50.8	3/4 19.1	2 11/16 68.3	4 1/8 104.8	3 1/2 88.9	1/2	5.8 2.63
1 1/2	MSF-24T	3-18T	7901 35144	5 3/8 136.5	4 1/8 104.8	1 9/16 39.7	9/16 14.3	2 7/64 53.6	2 50.8	3/4 19.1	2 13/16 71.4	4 21/64 109.9	3 7/8 98.4	9/16	6.3 2.86
1 11/16 1 3/4	MSF-27T MSF-28T	3-111T 3-112T	7889 35090	5 5/8 142.9	4 3/8 111.1	1 9/16 39.7	9/16 14.3	2 7/32 56.4	2 3/32 53.2	3/4 19.1	3 1/4 82.6	4 33/64 114.7	4 101.6	9/16	7.4 3.36
1 15/16 2	MSF-31T MSF-32T	3-115T 2-2T	9752 43377	6 3/8 161.9	5 1/8 130.2	1 3/4 44.5	13/16 20.6	2 3/8 60.3	2 1/4 57.2	7/8 22.2	3 1/2 88.9	5 3/16 131.8	4 1/4 108.0	5/8	11.1 5.03
2 3/16 2 1/4	MSF-35T MSF-36T	3-23T 2-24T	11789 52437	6 7/8 174.6	5 5/8 142.9	1 15/16 49.2	13/16 20.6	2 3/4 69.9	2 5/8 66.7	1 25.4	4 1/16 103.2	5 7/16 138.1	5 127.0	5/8	13.3 6.03

To obtain bolt circle, multiply B x 1.414.

SEALMASTER® Performance Mounted Ball Bearings



- Duty:** Standard
- Rolling Elements:** Ball
- Housing:** Cast Iron Two Bolt Flange
- Self Alignment:** +/- 2 Degrees
- Lock:** Setscrew
- Seal:** Felt
- Optional Seal:** Contact
- Temperature:** -20° to 220°F



SFT Series Standard Duty Two-Bolt Flange Units - Setscrew Locking

Bore Diameter		Part No.	Bearing Insert No.	Basic Dynamic Rating lb/N	Dimensions inch / mm										Bolt Size	Unit Wt. lb/kg
inch	mm				A	B	C	D	G	H	J	N	L	T Core		
1/2		SFT-8	2-08													
9/16		SFT-9	2-09	2611	3 7/8	3	2 5/16	59/64	7/16	1 9/32	1 7/32	1/2	1 3/16	2	3/8	1.2
5/8		SFT-10	2-010	11614	98.4	76.2	58.7	23.4	11.1	32.5	31.0	12.7	30.2	50.8		.54
11/16		SFT-11	2-011													
3/4	20	SFT-12	2-012	2611	4 13/32	3 17/32	2 3/8	59/64	7/16	1 9/32	1 7/32	1/2	1 3/16	2	3/8	1.2
		SFT-204	5204	11614	111.9	89.7	60.3	23.4	11.1	32.5	31.0	12.7	30.2	50.8		.54
13/16		SFT-13	2-013													
7/8		SFT-14	2-014	2801	4 7/8	3 57/64	2 3/4	1 1/32	17/32	1 7/16	1 3/8	9/16	1 3/8	2 3/8	7/16	1.6
15/16		SFT-15	2-015	12459	123.8	98.8	69.9	26.2	13.5	36.5	34.9	14.3	34.9	60.3		.73
1	25	SFT-16	2-1													
		SFT-205	5205													
1 1/16		SFT-17	2-11													
1 1/8		SFT-18	2-12													
1 3/16		SFT-19	2-13	4381	5 9/16	4 19/32	3 1/4	1 11/64	17/32	1 9/16	1 1/2	5/8	1 19/32	2 7/8	7/16	2.2
1 1/4	30	SFT-20R	1-14	19487	141.3	116.7	82.6	29.8	13.5	39.7	38.1	15.9	40.5	73.0		1.00
		SFT-206	5206													
1 1/4		SFT-20	2-14													
1 5/16		SFT-21	2-15	5782	6 1/8	5 1/8	3 3/4	1 11/32	9/16	1 3/4	1 11/16	11/16	1 55/64	3 5/16	1/2	3.2
1 3/8		SFT-22	2-16	25718	155.6	130.2	95.3	34.1	14.3	44.5	42.9	17.5	47.2	84.1		1.45
1 7/16	35	SFT-23	2-17													
		SFT-207	5207													
1 1/2		SFT-24	2-18													
1 9/16	40	SFT-25	2-19	7340	6 3/4	5 21/32	4 1/8	1 1/2	9/16	2 1/64	1 15/16	3/4	2 1/16	3 1/2	1/2	4.5
		SFT-208	5208	32648	171.5	143.7	104.8	38.1	14.3	51.2	49.2	19.1	52.4	88.9		2.04
1 5/8		SFT-26	2-110													
1 11/16		SFT-27	2-111	7901	7 1/16	5 27/32	4 3/8	1 9/16	9/16	2 3/64	1 15/16	3/4	2 19/64	3 7/8	9/16	5
1 3/4	45	SFT-28	2-112	35144	179.4	148.4	111.1	39.7	14.3	52.0	49.2	19.1	58.3	98.4		2.27
		SFT-209	5209													
1 13/16		SFT-29	2-113													
1 7/8		SFT-30	2-114													
1 15/16		SFT-31	2-115	7889	7 7/16	6 3/16	4 9/16	1 9/16	9/16	2 5/32	2 1/32	3/4	2 15/32	4	9/16	5.4
2	50	SFT-32R	1-2	35090	188.9	157.2	115.9	39.7	14.3	54.8	51.6	19.1	62.7	101.6		2.45
		SFT-210	5210													
2		SFT-32	2-2													
2 1/8		SFT-34	2-22	9752	8 1/2	7 1/4	5 1/4	1 3/4	13/16	2 5/16	2 3/16	7/8	2 23/32	4 1/4	5/8	8.4
2 3/16	55	SFT-35	2-23	43377	215.9	184.2	133.4	44.5	20.6	58.7	55.6	22.2	69.1	108.0		3.81
		SFT-211	5211													

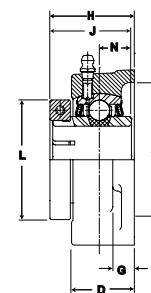
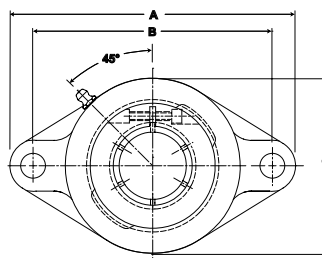
Metric dimensions for reference only.
 Not all parts are available from stock. Please contact customer service for availability (800) 626-2120.
 For more information on bearing capabilities outside of our standard offering, please contact Application Engineering (800) 626-2093.

Performance Mounted Ball Bearings **SEALMASTER**®

Mtd. Ball Bearings



- Duty:** Standard
- Rolling Elements:** Ball
- Housing:** Cast Iron Two Bolt Flange
- Self Alignment:** +/- 2 Degrees
- Lock:** SKWEZLOC Locking Collar
- Seal:** Felt
- Optional Seal:** Contact
- Temperature:** -20° to 220°F



SFT-T Series Standard Duty Two Bolt Flange - SKWEZLOC Locking Collar - Inch

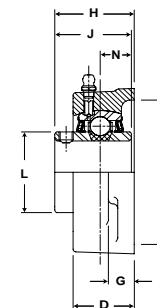
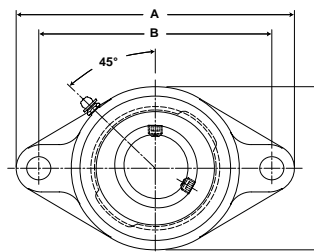
Bore Diameter inch	Part No.	Bearing Insert No.	Basic Dynamic Rating lb/N	Dimensions inch / mm										Bolt Size	Unit Wt. lb/kg
				A	B	C	D	G	H	J	L	N	T Core		
3/4	SFT-12T	2-012T	2611 11614	4 13/32 111.9	3 17/32 89.7	2 3/8 60.3	59/64 23.4	7/16 11.1	1 11/32 34.1	1 9/32 32.5	1 3/4 44.5	1/2 12.7	2 50.8	3/8	1.3 .59
15/16 1	SFT-15T SFT-16T	2-015T 2-1T	2801 12459	4 7/8 123.8	3 57/64 98.8	2 3/4 69.9	1 1/32 26.2	17/32 13.5	1 1/2 38.1	1 7/16 36.5	1 15/16 49.2	9/16 14.3	2 3/8 60.3	7/16	1.8 .82
1 1/8 1 3/16 1 1/4	SFT-18T SFT-19T SFT-20RT	2-12T 2-13T 1-14T	4381 19487	5 9/16 141.3	4 19/32 116.7	3 1/4 82.6	1 11/64 29.8	17/32 13.5	1 5/8 41.3	1 9/16 39.7	2 3/16 55.6	5/8 15.9	2 7/8 73.0	7/16	2.4 1.09
1 1/4	SFT-20T	2-14T	5782 25718	6 1/8 155.6	5 1/8 130.2	3 3/4 95.3	1 11/32 34.1	9/16 14.3	1 13/16 46.0	1 3/4 44.5	2 7/16 61.9	11/16 17.5	3 5/16 84.1	7/16	3.5 1.59
1 3/8 1 7/16	SFT-22T SFT-23T	2-16T 2-17T	5782 25718	6 1/8 155.6	5 1/8 130.2	3 3/4 95.3	1 11/32 34.1	9/16 14.3	1 13/16 46.0	1 3/4 44.5	2 9/16 65.1	11/16 17.5	3 5/16 84.1	1/2	3.5 1.59
1 1/2	SFT-24T	2-18T	7340 32648	6 3/4 171.5	5 21/32 143.7	4 1/8 104.8	1 1/2 38.1	9/16 14.3	2 5/64 52.8	2 50.8	2 11/16 68.3	3/4 19.1	3 1/2 88.9	1/2	4.8 2.18
1 5/8	SFT-26T	2-110T	7901 35144	7 1/16 179.4	5 27/32 148.4	4 3/8 111.1	1 9/16 39.7	9/16 14.3	2 7/64 53.6	2 50.8	2 13/16 71.4	3/4 19.1	3 7/8 98.4	9/16	5.3 2.40
1 11/16 1 3/4	SFT-27T SFT-28T	2-111T 2-112T	7901 35144	7 1/16 179.4	5 27/32 148.4	4 3/8 111.1	1 9/16 39.7	9/16 14.3	2 7/64 53.6	2 50.8	2 15/16 74.6	3/4 19.1	3 7/8 98.4	9/16	5.3 2.40
1 15/16 2	SFT-31T SFT-32RT	2-115T 1-2T	7889 35090	7 7/16 188.9	6 3/16 157.2	4 9/16 115.9	1 9/16 39.7	9/16 14.3	2 7/32 56.4	2 3/32 53.2	3 3/8 85.7	3/4 19.1	4 101.6	9/16	6 2.72
2	SFT-32T	2-2T	9752 43377	8 1/2 215.9	7 1/4 184.2	5 1/4 133.4	1 3/4 44.5	13/16 20.6	2 3/8 60.3	2 1/4 57.2	3 1/2 88.9	7/8 22.2	4 1/4 108.0	5/8	9 4.08
2 1/8 2 3/16	SFT-34T SFT-35T	2-22T 2-23T	9752 43377	8 1/2 215.9	7 1/4 184.2	5 1/4 133.4	1 3/4 44.5	13/16 20.6	2 3/8 60.3	2 1/4 57.2	3 5/8 92.1	7/8 22.2	4 1/4 108.0	5/8	9 4.08

SFT-T Series Standard Two Bolt Flange - SKWEZLOC Locking Collar - Metric -SKWEZ™

Bore Diameter mm	Part No.	Bearing Insert No.	Basic Dynamic Rating N/lb	Dimensions mm / inch										Bolt Size	Unit Wt. kg/lb
				A	B	C	D	G	H	J	L	N	T Core		
20	SFT-204TMC	5204TMC	11614 2611	111.9 4 13/32	89.7 3 17/32	60.3 2 3/8	23.4 59/64	11.1 7/16	34.1 1 11/32	32.5 1 9/32	44.5 1 3/4	12.7 1/2	50.8 2	M10	.59 1.3
25	SFT-205TMC	5205TMC	12459 2801	123.8 4 7/8	98.8 3 57/64	69.9 2 3/4	26.2 1 1/32	13.5 17/32	38.1 1 1/2	36.5 1 7/16	49.2 1 15/16	14.3 9/16	60.3 2 3/8	M10	1.8 .82
30	SFT-206TMC	5206TMC	19487 4381	141.3 5 9/16	116.7 4 19/32	82.6 3 1/4	29.8 1 11/64	13.5 17/32	41.3 1 5/8	39.7 1 9/16	55.6 2 3/16	15.9 5/8	73.0 2 7/8	M12	1.09 2.4
35	SFT-207TMC	5207TMC	25718 5782	155.6 6 1/8	130.2 5 1/8	95.3 3 3/4	34.1 1 11/32	14.3 9/16	46.0 1 13/16	44.5 1 3/4	65.1 2 9/16	17.5 11/16	84.1 3 5/16	M14	1.59 3.5
40	SFT-208TMC	5208TMC	32648 7340	171.5 6 3/4	143.7 5 21/32	104.8 4 1/8	38.1 1 1/2	14.3 9/16	52.8 2 5/64	50.8 2	68.3 2 11/16	19.1 3/4	88.9 3 1/2	M14	2.18 4.8
45	SFT-209TMC	5209TMC	35144 7901	179.4 7 1/16	148.4 5 27/32	111.1 4 3/8	39.7 1 9/16	14.3 9/16	53.6 2 7/64	50.8 2	74.6 2 15/16	19.1 3/4	98.4 3 7/8	M14	2.40 5.3
50	SFT-210TMC	5210TMC	35090 7889	188.9 7 7/16	157.2 6 3/16	115.9 4 9/16	39.7 1 9/16	14.3 9/16	56.4 2 7/32	53.2 2 3/32	85.7 3 3/8	19.1 3/4	101.6 4	M16	6 2.72
55	SFT-211TMC	5211TMC	43377 9752	215.9 8 1/2	184.2 7 1/4	133.4 5 1/4	44.5 1 3/4	20.6 13/16	60.3 2 3/8	57.2 2 1/4	92.1 3 5/8	22.2 7/8	108.0 4 1/4	M16	4.08 9



- Duty:** Medium
- Rolling Elements:** Ball
- Housing:** Cast Iron Two Bolt Flange
- Self Alignment:** +/- 2 Degrees
- Lock:** Setscrew
- Seal:** Felt
- Optional Seal:** Contact
- Temperature:** -20° to 220°F



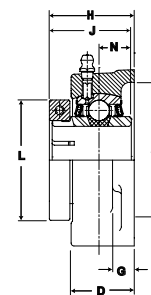
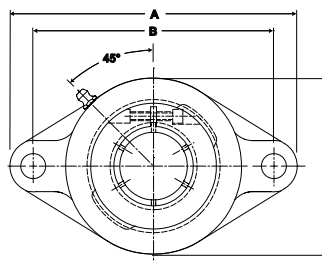
MSFT Series Medium Duty Two-Bolt Flange Units - Setscrew Locking

Bore Diameter		Part No.	Bearing Insert No.	Basic Dynamic Rating lb/N	Dimensions inch / mm										Bolt Size	Unit Wt. lb/kg
inch	mm				A	B	C	D	G	H	J	N	L	T Core		
15/16 1	25	MSFT-15	3-015	4381 19487	5 9/16	4 19/32	3 1/4	1 11/64	17/32	1 9/16	1 1/2	5/8	1 19/32	2 7/8	7/16	2.4 1.09
		MSFT-16	3-1		141.3	116.7	82.6	29.8	13.5	39.7	38.1	15.9	40.5	73.0		
		MSFT-305	5305													
1 3/16 1 1/4	30	MSFT-19	3-13	5782 25718	6 1/8	5 1/8	3 3/4	1 11/32	9/16	1 3/4	1 11/16	11/16	1 55/64	3 5/16	1/2	3.4 1.54
		MSFT-20	2-14		155.6	130.2	95.3	34.1	14.3	44.5	42.9	17.5	47.2	84.1		
		MSFT-306	5306													
1 7/16		MSFT-23	3-17	7340 32648	6 3/4	5 21/32	4 1/8	1 1/2	9/16	2 1/64	1 15/16	3/4	2 1/16	3 1/2	1/2	4.6 2.09
		MSFT-307	5307		171.5	143.7	104.8	38.1	14.3	51.2	49.2	19.1	52.4	88.9		
1 1/2		MSFT-24	3-18	7901 35144	7 1/16	5 27/32	4 3/8	1 9/16	9/16	2 3/64	1 15/16	3/4	2 19/64	3 7/8	9/16	5.2 2.36
		MSFT-308	5308		179.4	148.4	111.1	39.7	14.3	52.0	49.2	19.1	58.3	98.4		
1 11/16 1 3/4	45	MSFT-27	3-111	7889 35090	7 7/16	6 3/16	4 9/16	1 9/16	9/16	2 5/32	2 1/32	3/4	2 15/32	4	9/16	5.6 2.54
		MSFT-28	3-112		188.9	157.2	115.9	39.7	14.3	54.8	51.6	19.1	62.7	101.6		
		MSFT-309	5309													
1 15/16 2	50	MSFT-31	3-115	9752 43377	8 1/2	7 1/4	5 1/4	1 3/4	13/16	2 5/16	2 3/16	7/8	2 23/32	4 1/4	5/8	8.6 3.90
		MSFT-32	2-2		215.9	184.2	133.4	44.5	20.6	58.7	55.6	22.2	69.1	108.0		
		MSFT-310	5310													

Performance Mounted Ball Bearings **SEALMASTER**®



- Duty:** Medium
- Rolling Elements:** Ball
- Housing:** Cast Iron Two Bolt Flange
- Self Alignment:** +/- 2 Degrees
- Lock:** SKWEZLOC Locking Collar
- Seal:** Felt
- Optional Seal:** Contact
- Temperature:** -20° to 220°F

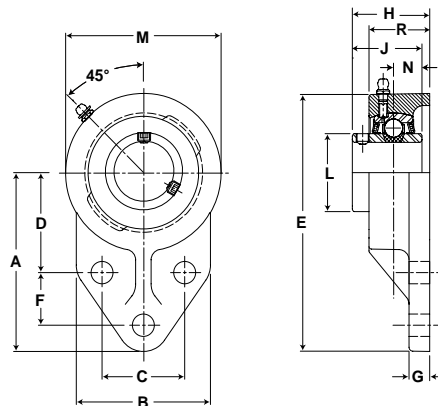


MSFT-T Series Medium Duty Two-Bolt Flange Units - SKWEZLOC Locking Collar

Bore Diameter inch	Part No.	Bearing Insert No.	Basic Dynamic Rating lb/N	Dimensions inch / mm										Bolt Size	Unit Wt. lb/kg
				A	B	C	D	G	H	J	N	L	T Core		
1	MSFT-16T	3-1T	4381	5 9/16	4 19/32	3 1/4	1 11/64	17/32	1 5/8	1 9/16	5/8	2 1/16	2 7/8	7/16	2.6
			19487	141.3	116.7	82.6	29.8	13.5	41.3	39.7	15.9	52.4	73.0		1.18
1 3/16	MSFT-19T	3-13T	5782	6 1/8	5 1/8	3 3/4	1 11/32	9/16	1 13/16	1 3/4	11/16	2 7/16	3 5/16	1/2	3.7
1 1/4	MSFT-20T	2-14T	25718	155.6	130.2	95.3	34.1	14.3	46.0	44.5	17.5	61.9	84.1		1.68
1 7/16	MSFT-23T	3-17T	7340	6 3/4	5 21/32	4 1/8	1 1/2	9/16	2 5/64	2	3/4	2 11/16	3 1/2	1/2	4.9
			32648	171.5	143.7	104.8	38.1	14.3	52.8	50.8	19.1	68.3	88.9		2.22
1 1/2	MSFT-24T	3-18T	7901	7 1/16	5 27/32	4 3/8	1 9/16	9/16	2 7/64	2	3/4	2 13/16	3 7/8	9/16	5.5
			35144	179.4	148.4	111.1	39.7	14.3	53.6	50.8	19.1	71.4	98.4		2.49
1 11/16	MSFT-27T	3-111T	7889	7 7/16	6 3/16	4 9/16	1 9/16	9/16	2 7/32	2 3/32	3/4	3 1/4	4	9/16	6.2
1 3/4	MSFT-28T	3-112T	35090	188.9	157.2	115.9	39.7	14.3	56.4	53.2	19.1	82.6	101.6		2.81
1 15/16	MSFT-31T	3-115T	9752	8 1/2	7 1/4	5 1/4	1 3/4	13/16	2 3/8	2 1/4	7/8	3 1/2	4 1/4	5/8	9.2
2	MSFT-32T	2-2T	43377	215.9	184.2	133.4	44.5	20.6	60.3	57.2	22.2	88.9	108.0		4.17



- Duty:** Standard
- Rolling Elements:** Ball
- Housing:** Cast Iron Flange Bracket
- Self Alignment:** +/- 2 Degrees
- Lock:** Setscrew
- Seal:** Felt
- Optional Seal:** Contact
- Temperature:** -20° to 220°F

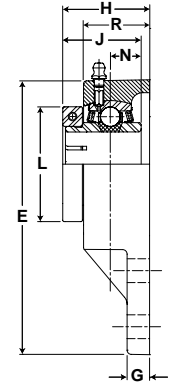
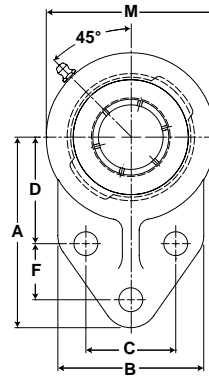


FB Series Standard Duty Three Bolt Single Lock Flange Brackets - Setscrew Locking

Bore Diameter		Part No.	Bearing Insert No.	Basic Dynamic Rating lb/N	Dimensions inch / mm													Bolt Size	Unit Wt. lb/kg		
inch	mm				A	B	C	D	E	F	G	H	J	L	M	N	R				
1/2		FB-8	2-08																		
9/16		FB-9	2-09																		
5/8		FB-10	2-010	2611	3	2 3/8	1 1/2	1 11/16	4 3/16	7/8	5/16	1 11/32	1 7/32	1 3/16	2 3/8	1/2	1	25.4	3/8	1.3	
11/16		FB-11	2-011	11614	76.2	60.3	38.1	42.9	106.4	22.2	7.9	34.1	31.0	30.2	60.3	12.7					0.59
3/4		FB-12	2-012																		
	20	FB-204	5204																		
13/16		FB-13	2-013																		
7/8		FB-14	2-014																		
15/16		FB-15	2-015	2801	3 3/8	2 1/2	1 5/8	1 13/16	4 3/4	1 1/8	3/8	1 1/2	1 3/8	1 3/8	2 3/4	9/16	1 3/32		3/8	2.1	
1		FB-16	2-1	12459	85.7	63.5	41.3	46.0	120.7	28.6	9.5	38.1	34.9	34.9	69.9	14.3	27.8				0.95
	25	FB-205	5205																		
1 1/16		FB-17	2-11																		
1 1/8		FB-18	2-12																		
1 3/16		FB-19	2-13	4381	3 3/4	2 3/4	1 7/8	2 1/16	5 23/64	1 1/4	3/8	1 5/8	1 1/2	1	3 7/32	5/8	1		3/8	3.0	
1 1/4		FB-20R	1-14	19487	95.3	69.9	47.6	52.4	136.1	31.8	9.5	41.3	38.1	19/32	81.8	15.9	31.4				1.36
	30	FB-206	5206											40.5							
1 1/4		FB-20	2-14																		
1 5/16		FB-21	2-15																		
1 3/8		FB-22	2-16	5782	4 1/4	3 1/4	2	2 3/8	6 1/8	1 1/4	1/2	1 7/8	1 11/16	1	3 3/4	11/16	1		1/2	3.1	
1 7/16		FB-23	2-17	25718	108.0	82.6	50.8	60.3	155.6	31.8	12.7	47.6	42.9	55/64	95.3	17.5	37.3				1.41
	35	FB-207	5207										47.2								
1 7/8		FB-30	2-114																		
1 15/16		FB-31	2-115	7889	5 3/16	4	2 3/4	2 15/16	7 15/32	1 5/8	1/2	2 5/32	2 1/32	2	4 9/16	3/4	1		1/2	5.1	
2		FB-32R	1-2	35090	131.8	101.6	69.9	74.6	189.7	41.3	12.7	54.8	51.6	15/32	115.9	19.1	39.3				2.31
	50	FB-210	5210										62.7								



- Duty:** Standard
- Rolling Elements:** Ball
- Housing:** Cast Iron Flange Bracket
- Self Alignment:** +/- 2 Degrees
- Lock:** SKWEZLOC Locking Collar
- Seal:** Felt
- Optional Seal:** Contact
- Temperature:** -20° to 220°F



FB-T Series Standard Duty Flange Bracket - SKWEZLOC Locking Collar - Inch

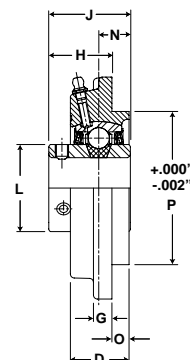
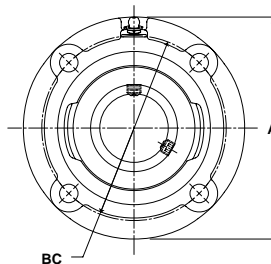
Bore Diameter inch	Part No.	Bearing Insert No.	Basic Dynamic Rating lb/N	Dimensions inch / mm													Bolt Size	Unit Wt. lb/kg
				A	B	C	D	E	F	G	H	J	L	M	N	R		
3/4	FB-12T	2-012T	2611 11614	3 76.2	2 3/8 60.3	1 1/2 32.1	1 11/16 42.9	4 3/16 106.4	7/8 27.0	5/16 7.9	1 13/32 35.7	1 9/32 32.5	1 3/4 44.5	2 3/8 60.3	1/2 12.7	1 25.4	13/32	1.4 0.64
15/16 1	FB-15T FB-16T	2-015T 2-1T	2801 12459	3 3/8 85.7	2 1/2 63.5	1 5/8 34.1	1 13/16 44.8	4 3/4 120.7	1 1/8 27.0	3/8 9.5	1 9/16 39.7	1 7/16 36.5	1 15/16 49.2	2 3/4 69.9	9/16 14.3	1 1/8 27.8	13/32	2.3 1.04
1 1/8 1 3/16 1 1/4	FB-18T FB-19T FB-20RT	2-12T 2-13T 1-14T	4381 19487	3 3/4 95.3	2 3/4 69.9	1 7/8 40.1	2 1/16 50.1	5 23/64 136.1	1 1/4 29.0	3/8 9.5	1 11/16 42.9	1 9/16 39.7	2 3/16 55.6	3 7/32 81.8	5/8 15.9	1 1/4 31.8	13/32	3.2 1.45
1 1/4	FB-20T	2-14T	5782 25718	4 1/4 108.0	3 1/4 82.6	2 50.8	2 3/8 60.3	6 1/8 155.6	1 1/4 31.8	1/2 12.7	1 15/16 49.2	1 3/4 44.5	2 7/16 61.9	3 3/4 95.3	11/16 17.5	1 7/16 36.5	17/32	3.4 1.54
1 3/8 1 7/16	FB-22T FB-23T	2-16T 2-17T	5782 25718	4 1/4 108.0	3 1/4 82.6	2 46.0	2 3/8 55.2	6 1/8 155.6	1 1/4 32.1	1/2 12.7	1 15/16 49.2	1 3/4 44.5	2 9/16 65.1	3 3/4 95.3	11/16 17.5	1 1/2 37.3	17/32	3.4 1.54
1 15/16 2	FB-31T FB-32RT	2-115T 1-2T	7889 35090	5 3/16 131.8	4 101.6	2 3/4 57.9	2 15/16 67.9	7 15/32 189.7	1 5/8 46.0	1/2 12.7	2 7/32 56.4	2 3/32 53.2	3 3/8 85.7	4 9/16 115.9	3/4 19.1	1 35/64 39.3	17/32	5.7 2.59

FB-T Series Standard Flange Bracket - SKWEZLOC Locking Collar - Metric -SKWEZ™

Bore Diameter mm	Part No.	Bearing Insert No.	Basic Dynamic Rating N/lb	Dimensions mm / inch													Bolt Size	Unit Wt. kg/lb
				A	B	C	D	E	F	G	H	J	L	M	N	R		
20	FB-204TMC	5204TMC	11614 2611	76.2 3	60.3 2 3/8	32.1 1 1/2	42.9 1 11/16	106.4 4 3/16	27.0 7/8	7.9 5/16	35.7 1 13/32	32.5 1 9/32	44.5 1 3/4	60.3 2 3/8	12.7 1/2	25.4 1	M10	.64 1.4
25	FB-205TMC	5205TMC	12459 2801	85.7 3 3/8	63.5 2 1/2	34.1 1 5/8	44.8 1 13/16	120.7 4 3/4	27.0 1 1/8	9.5 3/8	39.7 1 9/16	36.5 1 7/16	49.2 1 15/16	69.9 2 3/4	14.3 9/16	27.8 1 1/8	M10	1.04 2.3
30	FB-206TMC	5206TMC	19487 4381	95.3 3 3/4	69.9 2 3/4	40.1 1 7/8	50.1 2 1/16	136.1 5 23/64	29.0 1 1/4	9.5 3/8	42.9 1 11/16	39.7 1 9/16	55.6 2 3/16	81.8 3 7/32	15.9 5/8	31.8 1 1/4	M10	1.45 3.2
35	FB-207TMC	5207TMC	25718 5782	108.0 4 1/4	82.6 3 1/4	46.0 2	55.2 2 3/8	155.6 6 1/8	32.1 1 1/4	12.7 1/2	49.2 1 15/16	44.5 1 3/4	65.1 2 9/16	95.3 3 3/4	17.5 11/16	37.3 1 1/2	M10	1.54 3.4
50	FB-210TMC	5210TMC	35090 7889	131.8 5 3/16	101.6 4	57.9 2 3/4	67.9 2 15/16	189.7 7 15/32	46.0 1 5/8	12.7 1/2	56.4 2 7/32	53.2 2 3/32	85.7 3 3/8	115.9 4 9/16	19.1 3/4	39.3 1 35/64	M12	2.59 5.7



- Duty:** Standard
- Rolling Elements:** Ball
- Housing:** Cast Iron Piloted Flange Cartridge
- Self Alignment:** +/- 2 Degrees
- Lock:** Setscrew
- Seal:** Felt
- Optional Seal:** Contact
- Temperature:** -20° to 220°F



SFC Series Standard Duty Flange Cartridge Units - Setscrew locking

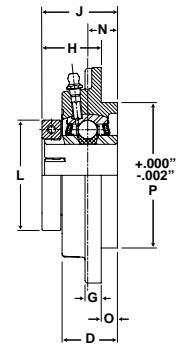
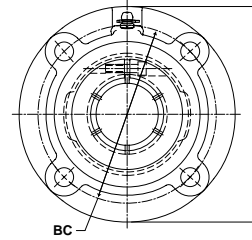
Bore Diameter		Part No.	Bearing Insert No.	Basic Dynamic Rating lb/N	Dimensions inch / mm										Bolt Size	Unit Wt. lb/kg
inch	mm				A	BC	D	G	H	J	L	N	O	P*		
1 1/8	30	SFC-18	2-12	4381	4 3/8	3 5/8	1 3/16	3/8	1 5/16	1 9/16	1 19/32	5/8	1/4	3.000	5/16	3.0
1 3/16		SFC-19	2-13													
1 1/4		SFC-20R	1-14													
		SFC-206	5206													
1 1/4	35	SFC-20	2-14	5782	5	4 1/8	1 9/32	3/8	1 5/16	1 11/16	1 55/64	11/16	3/8	3.375	3/8	3.9
1 5/16		SFC-21	2-15													
1 3/8		SFC-22	2-16													
1 7/16		SEF-23	2-17													
	SFC-207	5207														
1 1/2	40	SFC-24	2-18	7340	5 1/4	4 3/8	1 27/64	7/16	1 1/2	1 15/16	2 1/16	3/4	7/16	3.625	3/8	4.7
1 9/16		SFC-25	2-19													
		SFC-208	5208													
1 5/8	45	SFC-26	2-110	7901	6 1/8	5 1/8	1 29/64	7/16	1 1/2	1 15/16	2 19/64	3/4	7/16	4.250	7/16	6.0
1 11/16		SFC-27	2-111													
1 3/4		SFC-28	2-112													
		SFC-209	5209													
1 7/8	50	SFC-30	2-114	7889	6 1/8	5 1/8	1 27/64	7/16	1 9/16	2 1/32	2 15/32	3/4	15/32	4.250	7/16	6.5
1 15/16		SFC-31	2-115													
2		SFC-32R	1-2													
		SFC-210	5210													
2	55	SFC-32	2-2	9752	6 3/8	5 3/8	1 5/8	7/16	1 9/16	2 3/16	2 23/32	7/8	5/8	4.500	7/16	7.5
2 1/8		SFC-34	2-22													
2 3/16		SFC-35	2-23													
		SFC-211	5211													
2 1/4	60	SFC-36	2-24	11789	7 1/8	6	1 13/16	1/2	1 11/16	2 9/16	2 63/64	1	7/8	5.000	1/2	10.5
2 3/8		SFC-38	2-26													
2 7/16		SFC-39	2-27													
		SFC-212	5212													
2 11/16	70	SFC-43	2-211	13971	7 5/8	6 1/2	2 5/32	9/16	1 3/4	2 27/32	3 7/16	1 5/32	1 3/32	5.500	1/2	14.5
		SFC-214	5214													
2 7/8	75	SFC-46	2-214	14839	8 3/4	7 1/2	2 5/16	9/16	2	3 1/16	3 41/64	1 5/16	1 1/16	6.375	5/8	18.7
2 15/16		SFC-47	2-215													
		SFC-215	5215													
3 3/16	80	SFC-51	2-33	17412	8 3/4	7 1/2	2 7/16	21/32	2	3 1/4	3 59/64	1 5/16	1 1/4	6.375	5/8	20.0
		SFC-216	5216	77449	222.3	190.5	61.9	16.7	50.8	82.6	99.6	33.3	31.8	161.93		9.07

*Recommended hole size for pilot +.002" / -.000".

Metric dimensions for reference only.



- Duty:** Standard
- Rolling Elements:** Ball
- Housing:** Cast Iron Piloted Flange Cartridge
- Self Alignment:** +/- 2 Degrees
- Lock:** SKWEZLOC Locking Collar
- Seal:** Felt
- Optional Seal:** Contact
- Temperature:** -20° to 220°F



SFC-T Series Standard Duty Piloted Flange Cartridge- SKWEZLOC Locking Collar - Inch

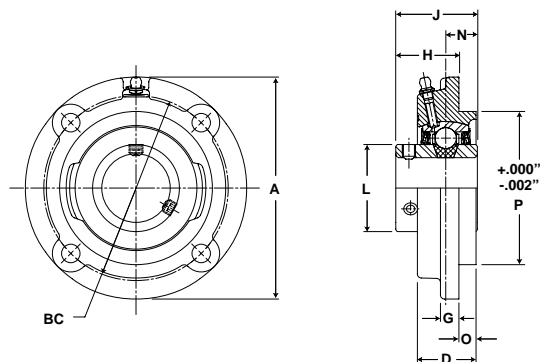
Bore Diameter inch	Part No.	Bearing Insert No.	Basic Dynamic Rating lb/N	Dimensions inch / mm										Bolt Size	Unit Wt. lb/kg
				A	BC	D	G	H	J	L	N	O	P		
1 1/8	SFC-18T	2-12T	4381	4 3/8	3 5/8	1 3/16	3/8	1 3/8	1 5/8	2 3/16	5/8	1/4	3.000	5/16	3.2
1 3/16	SFC-19T	2-13T	19487	111.1	92.1	30.2	9.5	34.9	41.3	55.6	15.9	6.4	76.200		1.45
1 1/4	SFC-20RT	1-14T													
1 1/4	SFC-20T	2-14T	5782 25718	5 127.0	4 1/8 104.8	1 5/16 33.3	3/8 9.5	1 3/8 34.9	1 3/4 44.5	2 7/16 61.9	11/16 17.5	3/8 9.5	3.375 85.725	3/8	4.2 1.91
1 3/8	SFC-22T	2-16T	5782	5	4 1/8	1 5/16	3/8	1 3/8	1 3/4	2 9/16	11/16	3/8	3.375	3/8	4.2
1 7/16	SFC-23T	2-17T	25718	127.0	104.8	33.3	9.5	34.9	44.5	65.1	17.5	9.5	85.725		1.91
1 1/2	SFC-24T	2-18T	7340	5 1/4	4 3/8	1 25/64	7/16	1 9/16	2	2 11/16	3/4	7/16	3.625	3/8	5.0
1 9/16	SFC-25T	2-19T	32648	133.4	111.1	35.3	11.1	39.7	50.8	68.3	19.1	11.1	92.075		2.27
1 5/8	SFC-26T	2-110T	7901 35144	6 1/8 155.6	5 1/8 130.2	1 7/16 36.5	7/16 11.1	1 9/16 39.7	2 50.8	2 13/16 71.4	3/4 19.1	7/16 11.1	4.250 107.950	7/16	6.3 2.86
1 11/16	SFC-27T	2-111T	7901	6 1/8	5 1/8	1 7/16	7/16	1 9/16	2	2 15/16	3/4	7/16	4.250	7/16	6.3
1 3/4	SFC-28T	2-112T	35144	155.6	130.2	36.5	11.1	39.7	50.8	74.6	19.1	11.1	107.950		2.86
1 15/16	SFC-31T	2-115T	7889	6 1/8	5 1/8	1 15/32	7/16	1 5/8	2 3/32	3 3/8	3/4	15/32	4.250	7/16	7.1
2	SFC-32RT	1-2T	35090	155.6	130.2	37.3	11.1	41.3	53.2	85.7	19.1	11.9	107.950		3.22
2	SFC-32T	2-2T	9752 43377	6 3/8 161.9	5 3/8 136.5	1 19/32 40.5	7/16 11.1	1 5/8 41.3	2 1/4 57.2	3 1/2 88.9	7/8 22.2	5/8 15.9	4.500 114.300	7/16	8.1 3.67
2 1/8	SFC-34T	2-22T	9752	6 3/8	5 3/8	1 19/32	7/16	1 5/8	2 1/4	3 5/8	7/8	5/8	4.500	7/16	8.1
2 3/16	SFC-35T	2-23T	43377	161.9	136.5	40.5	11.1	41.3	57.2	92.1	22.2	15.9	114.300		3.67
2 1/4	SFC-36T	2-24T	11789 52437	7 1/8 181.0	6 152.4	1 25/32 45.2	1/2 12.7	1 3/4 44.5	2 5/8 66.7	4 1/16 103.2	1 25.4	7/8 22.2	5.000 127.000	1/2	11.7 5.31
2 3/8	SFC-38T	2-26T	11789	7 1/8	6	1 25/32	1/2	1 3/4	2 5/8	4 1/8	1	7/8	5.000	1/2	11.7
2 7/16	SFC-39T	2-27T	52437	181.0	152.4	45.2	12.7	44.5	66.7	104.8	25.4	22.2	127.000		5.31

SFC-T Series Standard Piloted Flange Cartridge - SKWEZLOC Locking Collar - Metric -SKWEZ™

Bore Diameter mm	Part No.	Bearing Insert No.	Basic Dynamic Rating N/lb	Dimensions mm / inch										Bolt Size	Unit Wt. kg/lb
				A	BC	D	G	H	J	L	N	O	P		
30	SFC-206TMC	5206TMC	19487 4381	111.1 4 3/8	92.1 3.625	30.2 1 3/16	9.5 3/8	34.9 1 3/8	41.3 1 5/8	55.6 2 3/16	15.9 .63	6.4 1/4	76.200 3.000	M10	1.45 3.2
35	SFC-207TMC	5207TMC	25718 5782	127.0 5	104.8 4.125	33.3 1 5/16	9.5 3/8	34.9 1 3/8	44.5 1 3/4	61.9 2 7/16	17.5 .69	9.5 3/8	85.725 3.375	M12	1.91 4.2
40	SFC-208TMC	5208TMC	32648 7340	133.4 5 1/4	111.1 4.375	35.3 1 25/64	11.1 7/16	39.7 1 9/16	50.8 2	68.3 2 11/16	19.1 .75	11.1 7/16	92.075 3.625	M12	2.27 5
45	SFC-209TMC	5209TMC	35144 7901	155.6 6 1/8	130.2 5.125	36.5 1 7/16	11.1 7/16	39.7 1 9/16	50.8 2	74.6 2 15/16	19.1 .75	11.1 7/16	107.950 4.250	M14	2.86 6.3
50	SFC-210TMC	5210TMC	35090 7889	155.6 6 1/8	130.2 5.125	37.3 1 15/32	11.1 7/16	41.3 1 5/8	53.2 2 3/32	85.7 3 3/8	19.1 .75	11.9 15/32	107.950 4.250	M14	3.22 7.1
55	SFC-211TMC	5211TMC	43377 9752	161.9 6 3/8	136.5 5.375	40.5 1 19/32	11.1 7/16	41.3 1 5/8	57.2 2 1/4	92.1 3 5/8	22.2 .88	15.9 5/8	114.300 4.500	M14	3.67 8.1
60	SFC-212TMC	5212TMC	52437 11789	181.0 7 1/8	152.4 6	45.2 1 25/32	12.7 1/2	44.5 1 3/4	66.7 2 5/8	104.8 4 1/8	25.4 1	22.2 7/8	127.000 5.000	M16	5.31 11.7



- Duty:** Medium
- Rolling Elements:** Ball
- Housing:** Cast Iron Piloted Flange Cartridge
- Self Alignment:** +/- 2 Degrees
- Lock:** Setscrew
- Seal:** Felt
- Optional Seal:** Contact
- Temperature:** -20° to 220°F



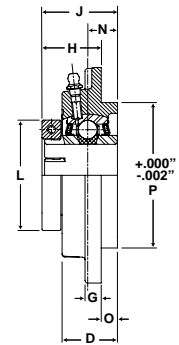
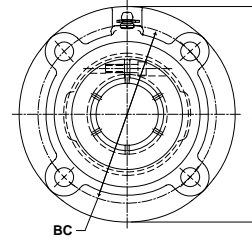
MFC Series Medium Duty Flange Cartridge Units - Setscrew Locking

Bore Diameter		Part No.	Bearing Insert No.	Basic Dynamic Rating lb/N	Dimensions inch / mm										Bolt Size	Unit Wt. lb/kg
inch	mm				A	BC	D	G	H	J	L	N	O	P*		
15/16	25	MFC-15	3-015	4381	4 3/8	3 5/8	1 11/64	3/8	1 5/16	1 9/16	1 19/32	5/8	1/4	3.000	5/16	3.0
1		MFC-16	3-1	19487	111.1	92.1	29.8	9.5	33.3	39.7	40.5	15.9	6.4	76.20		
.984		MFC-305	5305													
1 3/16	30	MFC-19	3-13	5782	5	4 1/8	1 9/32	3/8	1 5/16	1 11/16	1 55/64	11/16	3/8	3.375	3/8	3.9
1 1/4		MFC-20	2-14	25718	127.0	104.8	32.5	9.5	33.3	42.9	47.2	17.5	9.5	85.73		
1.181		MFC-306	5306													
1 7/16	35	MFC-23	3-17	7340	5 1/4	4 3/8	1 25/64	7/16	1 1/2	1 15/16	2 1/16	3/4	13/32	3.625	3/8	4.7
1 1/2		MFC-24	2-18	32648	133.4	111.1	35.3	11.1	38.1	49.2	52.4	19.1	10.3	92.08		
1.378		MFC-307	5307													
1 1/2	40	MFCH-24	3-18	7901	6 1/8	5 1/8	1 27/64	7/16	1 1/2	1 15/16	2 19/64	3/4	13/32	4.250	7/16	6
		MFC-308	5308	35144	155.6	130.2	36.1	11.1	38.1	49.2	58.3	19.1	10.3	107.95		
1 11/16	45	MFC-27	3-111	7889	6 1/8	5 1/8	1 25/64	7/16	1 9/16	2 1/32	2 15/32	3/4	7/16	4.250	7/16	6.5
1 3/4		MFC-28	3-112	35090	155.6	130.2	35.3	11.1	39.7	51.6	62.7	19.1	11.1	107.95		
		MFC-309	5309													
1 15/16	50	MFC-31	3-115	9752	6 3/8	5 3/8	1 19/32	7/16	1 9/16	2 3/16	2 23/32	7/8	19/32	4.500	7/16	7.5
2		MFC-32	2-2	43377	161.9	136.5	40.5	11.1	39.7	55.6	69.1	22.2	15.1	114.30		
		MFC-310	5310													
2 3/16	55	MFC-35	3-23	11789	7 1/8	6	1 25/32	1/2	1 11/16	2 9/16	2 63/64	1	27/32	5.000	1/2	10.5
2 1/4		MFC-36	2-24	52437	181.0	152.4	45.2	12.7	42.9	65.1	75.8	25.4	21.4	127.00		
		MFC-311	5311													
2 7/16	65	MFC-39	3-27	13971	7 5/8	6 1/2	2 5/32	9/16	1 3/4	2 7/8	3 7/16	1 1/16	1 3/32	5.500	1/2	14.0
2 1/2		MFC-40	3-28	62143	193.7	165.1	54.8	14.3	44.5	73.0	87.3	27.0	27.8	139.70		
		MFC-313	5313													
2 11/16	70	MFC-43	3-211	14839	8 3/4	7 1/2	2 9/32	9/16	2	3 1/16	3 41/64	1 5/16	1 1/32	6.375	5/8	18.7
		MFC-314	5314	66004	222.3	190.5	57.9	14.3	50.8	77.8	92.5	33.3	26.2	161.93		
2 15/16	75	MFC-47	3-215	17412	8 3/4	7 1/2	2 13/32	5/8	2	3 1/4	3 59/64	1 5/16	1 7/32	6.375	5/8	20.0
3		MFC-48	3-3	77449	222.3	190.5	61.1	15.9	50.8	82.6	99.6	33.3	31.0	161.93		
		MFC-315	5315													
3 7/16		MFC-55	3-37	21566	10 1/4	8 5/8	2 23/32	3/4	2 21/32	3 25/32	4 25/64	1 9/16	1 3/32	7.375	3/4	32.0
3 1/2		MFC-56	2-38	95926	260.4	219.1	69.1	19.1	67.5	96.0	111.5	39.7	27.8	187.33		
3 15/16	100	MFC-63	3-315	29905	10 7/8	9 3/8	3 7/32	7/8	3 1/2	4 5/8	5 11/64	1 15/16	1 3/32	8.125	3/4	44.0
4		MFC-64	3-4	133017	276.2	238.1	81.8	22.2	88.9	117.5	131.4	49.2	27.8	206.38		
		MFC-320	5320													

*Recommended hole size for pilot 15/16 to 3 1/2 +.000" / -.002" and 3 15/16 to 4 +.000" / -.004".



- Duty:** Standard
- Rolling Elements:** Ball
- Housing:** Cast Iron Piloted Flange Cartridge
- Self Alignment:** +/- 2 Degrees
- Lock:** SKWEZLOC Locking Collar
- Seal:** Felt
- Optional Seal:** Contact
- Temperature:** -20° to 220°F



SFC-T Series Standard Duty Piloted Flange Cartridge- SKWEZLOC Locking Collar - Inch

Bore Diameter inch	Part No.	Bearing Insert No.	Basic Dynamic Rating lb/N	Dimensions inch / mm										Bolt Size	Unit Wt. lb/kg
				A	BC	D	G	H	J	L	N	O	P		
1 1/8	SFC-18T	2-12T	4381	4 3/8	3 5/8	1 3/16	3/8	1 3/8	1 5/8	2 3/16	5/8	1/4	3.000	5/16	3.2
1 3/16	SFC-19T	2-13T	19487	111.1	92.1	30.2	9.5	34.9	41.3	55.6	15.9	6.4	76.200		1.45
1 1/4	SFC-20RT	1-14T													
1 1/4	SFC-20T	2-14T	5782 25718	5 127.0	4 1/8 104.8	1 5/16 33.3	3/8 9.5	1 3/8 34.9	1 3/4 44.5	2 7/16 61.9	11/16 17.5	3/8 9.5	3.375 85.725	3/8	4.2 1.91
1 3/8	SFC-22T	2-16T	5782	5	4 1/8	1 5/16	3/8	1 3/8	1 3/4	2 9/16	11/16	3/8	3.375	3/8	4.2
1 7/16	SFC-23T	2-17T	25718	127.0	104.8	33.3	9.5	34.9	44.5	65.1	17.5	9.5	85.725		1.91
1 1/2	SFC-24T	2-18T	7340	5 1/4	4 3/8	1 25/64	7/16	1 9/16	2	2 11/16	3/4	7/16	3.625	3/8	5.0
1 9/16	SFC-25T	2-19T	32648	133.4	111.1	35.3	11.1	39.7	50.8	68.3	19.1	11.1	92.075		2.27
1 5/8	SFC-26T	2-110T	7901 35144	6 1/8 155.6	5 1/8 130.2	1 7/16 36.5	7/16 11.1	1 9/16 39.7	2 50.8	2 13/16 71.4	3/4 19.1	7/16 11.1	4.250 107.950	7/16	6.3 2.86
1 11/16	SFC-27T	2-111T	7901	6 1/8	5 1/8	1 7/16	7/16	1 9/16	2	2 15/16	3/4	7/16	4.250	7/16	6.3
1 3/4	SFC-28T	2-112T	35144	155.6	130.2	36.5	11.1	39.7	50.8	74.6	19.1	11.1	107.950		2.86
1 15/16	SFC-31T	2-115T	7889	6 1/8	5 1/8	1 15/32	7/16	1 5/8	2 3/32	3 3/8	3/4	15/32	4.250	7/16	7.1
2	SFC-32RT	1-2T	35090	155.6	130.2	37.3	11.1	41.3	53.2	85.7	19.1	11.9	107.950		3.22
2	SFC-32T	2-2T	9752 43377	6 3/8 161.9	5 3/8 136.5	1 19/32 40.5	7/16 11.1	1 5/8 41.3	2 1/4 57.2	3 1/2 88.9	7/8 22.2	5/8 15.9	4.500 114.300	7/16	8.1 3.67
2 1/8	SFC-34T	2-22T	9752	6 3/8	5 3/8	1 19/32	7/16	1 5/8	2 1/4	3 5/8	7/8	5/8	4.500	7/16	8.1
2 3/16	SFC-35T	2-23T	43377	161.9	136.5	40.5	11.1	41.3	57.2	92.1	22.2	15.9	114.300		3.67
2 1/4	SFC-36T	2-24T	11789 52437	7 1/8 181.0	6 152.4	1 25/32 45.2	1/2 12.7	1 3/4 44.5	2 5/8 66.7	4 1/16 103.2	1 25.4	7/8 22.2	5.000 127.000	1/2	11.7 5.31
2 3/8	SFC-38T	2-26T	11789	7 1/8	6	1 25/32	1/2	1 3/4	2 5/8	4 1/8	1	7/8	5.000	1/2	11.7
2 7/16	SFC-39T	2-27T	52437	181.0	152.4	45.2	12.7	44.5	66.7	104.8	25.4	22.2	127.000		5.31

SFC-T Series Standard Piloted Flange Cartridge - SKWEZLOC Locking Collar - Metric -SKWEZ™

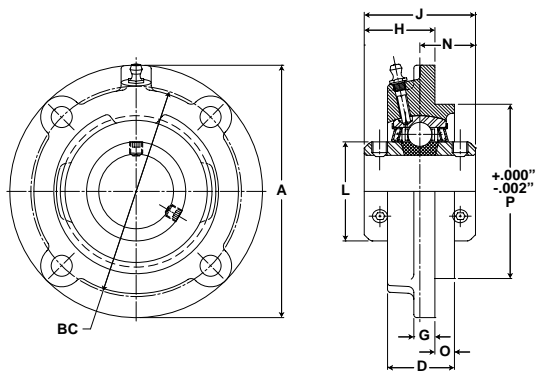
Bore Diameter mm	Part No.	Bearing Insert No.	Basic Dynamic Rating N/lb	Dimensions mm / inch										Bolt Size	Unit Wt. kg/lb
				A	BC	D	G	H	J	L	N	O	P		
30	SFC-206TMC	5206TMC	19487 4381	111.1 4 3/8	92.1 3.625	30.2 1 3/16	9.5 3/8	34.9 1 3/8	41.3 1 5/8	55.6 2 3/16	15.9 .63	6.4 1/4	3.000	M10	1.45 3.2
35	SFC-207TMC	5207TMC	25718 5782	127.0 5	104.8 4.125	33.3 1 5/16	9.5 3/8	34.9 1 3/8	44.5 1 3/4	61.9 2 7/16	17.5 .69	9.5 3/8	85.725 3.375	M12	1.91 4.2
40	SFC-208TMC	5208TMC	32648 7340	133.4 5 1/4	111.1 4.375	35.3 1 25/64	11.1 7/16	39.7 1 9/16	50.8 2	68.3 2 11/16	19.1 .75	11.1 7/16	92.075 3.625	M12	2.27 5
45	SFC-209TMC	5209TMC	35144 7901	155.6 6 1/8	130.2 5.125	36.5 1 7/16	11.1 7/16	39.7 1 9/16	50.8 2	74.6 2 15/16	19.1 .75	11.1 7/16	107.950 4.250	M14	2.86 6.3
50	SFC-210TMC	5210TMC	35090 7889	155.6 6 1/8	130.2 5.125	37.3 1 15/32	11.1 7/16	41.3 1 5/8	53.2 2 3/32	85.7 3 3/8	19.1 .75	11.9 15/32	107.950 4.250	M14	3.22 7.1
55	SFC-211TMC	5211TMC	43377 9752	161.9 6 3/8	136.5 5.375	40.5 1 19/32	11.1 7/16	41.3 1 5/8	57.2 2 1/4	92.1 3 5/8	22.2 .88	15.9 5/8	114.300 4.500	M14	3.67 8.1
60	SFC-212TMC	5212TMC	52437 11789	181.0 7 1/8	152.4 6	45.2 1 25/32	12.7 1/2	44.5 1 3/4	66.7 2 5/8	104.8 4 1/8	25.4 1	22.2 7/8	127.000 5.000	M16	5.31 11.7

SEALMASTER®

Performance Mounted Ball Bearings



- Duty:** Medium
- Rolling Elements:** Ball
- Housing:** Cast Iron Piloted Flange Cartridge
- Self Alignment:** +/- 2 Degrees
- Lock:** Double Setscrew
- Seal:** Felt
- Optional Seal:** Contact
- Temperature:** -20° to 220°F



MFCD Series Medium Duty Flange Cartridge Units With Double Lock - Setscrew Locking

Bore Diameter inch	Part No.	Bearing Insert No.	Basic Dynamic Rating lb/N	Dimensions inch / mm										Bolt Size	Unit Wt. lb/kg
				A	BC	D	G	H	J	L	N	O	P*		
1	MFCD-16	3-1	4381 19487	4 3/8 111.1	3 5/8 92.1	1 11/64 29.8	3/8 9.5	1 5/16 33.3	1 3/4 44.5	1 19/32 40.5	11/16 17.5	1/4 6.4	3.000 76.20	5/16	3.8 1.7
1 3/16	MFCD-19	3-13	5782	5	4 1/8	1 9/32	3/8	1 5/16	2	1 55/64	11/16	3/8	3.375	3/8	3.9 1.8
1 1/4	MFCD-20	2-14	25718	127.0	104.8	32.5	9.5	33.3	50.8	47.2	17.5	9.5	85.73		
1 7/16	MFCD-23	3-17	7340	5 1/4	4 3/8	1 25/64	7/16	1 1/2	2 5/16	2 1/16	3/4	13/32	3.625	3/8	4.7 2.1
1 1/2	MFCD-24	2-18	32648	133.4	111.1	35.3	11.1	38.1	58.7	52.4	19.1	10.3	92.08		
1 11/16	MFCD-27	3-111	7889	6 1/8	5 1/8	1 25/64	7/16	1 9/16	2 1/2	2 15/32	23/32	7/16	4.250	7/16	6.5 3.0
1 3/4	MFCD-28	3-112	35090	155.6	130.2	35.3	11.1	39.7	63.5	62.7	18.3	11.1	107.95		
1 15/16	MFCD-31	3-115	9752	6 3/8	5 3/8	1 19/32	7/16	1 9/16	2 5/8	2 23/32	27/32	19/32	4.500	7/16	7.6 3.5
2	MFCD-32	2-2	43377	161.9	136.5	40.5	11.1	39.7	66.7	69.1	21.4	15.1	114.30		
2 3/16	MFCD-35	3-23	11789	7 1/8	6	1 25/32	1/2	1 11/16	3 1/8	3 1/8	31/32	27/32	5.000	1/2	10.4 4.7
2 1/4	MFCD-36	2-24	52437	181.0	152.4	45.2	12.7	42.9	79.4	79	24.6	21.4	127.00		
2 7/16	MFCD-39	3-27	13971	7 5/8	6 1/2	2 5/32	9/16	1 3/4	3 1/2	3 7/16	1 5/32	1 3/32	5.500	1/2	14.3 6.5
2 1/2	MFCD-40	3-28	62143	193.7	165.1	54.8	14.3	44.5	88.9	87.3	29.4	27.8	139.70		
2 11/16	MFCD-43	3-211	14839 66004	8 3/4 222.3	7 1/2 190.5	2 9/32 57.9	9/16 14.3	2 50.8	3 1/2 88.9	3 41/64 92.5	1 9/32 32.5	1 1/32 26.2	6.375 161.93	5/8	18.9 8.6
2 15/16	MFCD-47	3-215	17412	8 3/4	7 1/2	2 13/32	5/8	2	3 7/8	3 59/64	1 15/32	1 7/32	6.375	5/8	20.8 9.5
3	MFCD-48	3-3	77449	222.3	190.5	61.1	15.9	50.8	98.4	99.6	37.3	31.0	161.93		
3 7/16	MFCD-55	3-37	21566	10 1/4	8 5/8	2 23/32	3/4	2 21/32	4 7/16	4 25/64	2 7/32	1 3/32	7.375	3/4	32.8 14.9
3 1/2	MFCD-56	2-38	95926	260.4	219.1	69.1	19.1	67.5	112.7	111.5	56.4	27.8	187.33		
3 15/16	MFCD-63	3-315	29905	10 7/8	9 3/8	3 7/32	7/8	3 1/2	5 3/8	5 11/64	2 11/16	1 3/32	8.125	3/4	46.0 20.9
4	MFCD-64	3-4	133017	276.2	238.1	81.8	22.2	88.9	136.5	131.4	68.3	27.8	206.38		

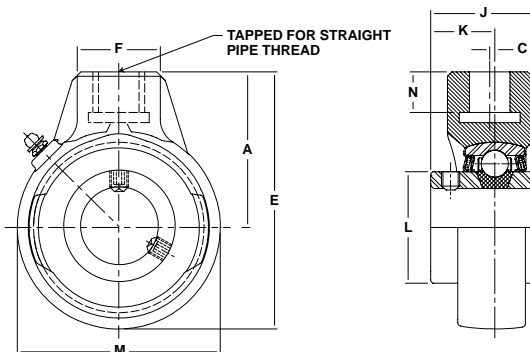
*Recommended hole size for pilot 15/16 to 3 1/2 +.000" / -.002" and 3 15/16 to 4 +.000" / -.004".

Performance Mounted Ball Bearings **SEALMASTER**®

Mtd. Ball Bearings



- Duty:** Varies
- Rolling Elements:** Ball
- Housing:** Ductile Iron Hanger Bearing
- Self Alignment:** +/- 2 Degrees
- Lock:** Setscrew
- Seal:** Felt
- Optional Seal:** Contact
- Temperature:** -20° to 220°F



SEHB Series Hanger Bearing External Lube - Setscrew Locking

Bore Diameter		Part No.	Bearing Insert No.	Basic Dynamic Rating lb/N	Dimensions inch / mm							Pipe Tap* N.P.S.M.	N Thread Length	Unit Wt. lb/kg	
inch	mm				A	C	E	F	J	K	L				M
15/16	25	SEHB-15	3-015	4381 19487	2 1/2 63.5	-	4 1/16 103.2	1 9/16 39.7	1 1/2 38.1	7/8 22.2	1 19/32 40.5	3 1/8 79.4	3/4-14	13/16	2.2 1.00
		SEHB-305	5305												
1		SEHB-16	3-1												
1 1/16		SEHB-17	2-11												
	30	SEHB-206	5206												
1 3/16	35	SEHB-19	3-13	5782 25718	2 3/4 69.9	-	4 9/16 115.9	1 9/16 39.7	1 11/16 42.9	1 25.4	1 55/64 47.2	3 5/8 92.1	3/4-14	3/4	3.1 1.41
1 1/4		SEHB-20	2-14												
1 5/16		SEHB-21	2-15												
1 3/8		SEHB-22	2-16												
		SEHB-207	5207												
1 7/16	40	SEHB-23	3-17	7340 32648	2 7/8 73.0	3/32	4 3/4 120.7	1 9/16 39.7	1 15/16 49.2	1 3/16 30.2	2 1/16 52.4	3 3/4 95.3	3/4-14	3/4	3.4 1.54
1 1/2		SEHB-24	2-18												
1 9/16		SEHB-25	2-19												
		SEHB-208	5208												
1 11/16	50	SEHB-27	3-111	7889 35090	3 1/4 82.6	3/16	5 7/16 138.1	1 7/8 47.6	2 1/32 51.6	1 9/32 32.5	2 15/32 62.7	4 3/8 111.1	1-11 1/2	13/16	4.5 2.04
1 3/4		SEHB-28	3-112												
1 7/8		SEHB-30	2-114												
1 15/16		SEHB-31	2-115												
2		SEHB-32R	1-2												
	SEHB-210	5210													
2 3/16	60	SEHB-35	3-23	11789 52437	4 101.6	11/32	6 13/16 173.0	2 5/16 58.7	2 9/16 65.1	1 9/16 39.7	2 63/64 75.8	5 5/8 142.9	1 1/4-11 1/2	1 1/8	9 4.08
2 1/4		SEHB-36	2-24												
2 3/8		SEHB-38	2-26												
2 7/16		SEHB-39	2-27												
		SEHB-212	5212												
2 11/16	75	SEHB-43	3-211	14839 66004	4 5/8 117.5	3/8	7 7/8 200.0	2 3/4 69.9	3 1/16 77.8	1 3/4 44.5	3 41/64 92.5	6 1/2 165.1	1 1/2-11 1/2	1 1/4	14.6 6.62
2 7/8		SEHB-46	2-214												
2 15/16		SEHB-47	2-215												
		SEHB-215	5215												
3	80	SEHB-48	3-3	17412 77449	4 7/8 123.8	5/16	8 5/16 211.1	2 13/16 71.4	3 1/4 82.6	1 15/16 49.2	3 59/64 99.6	6 7/8 174.6	1 1/2-11 1/2	1 1/4	16.8 7.62
3 3/16		SEHB-51	2-33												
		SEHB-216	5216												
3 15/16	100	SEHB-63	3-315	29905 133017	8 1/8 206.4		13 1/4 336.6	4 3/8 111.1	4 5/8 117.5	2 11/16 68.3	5 11/64 131.4	10 1/4 260.4	2 1/2-8 1/2	2 5/8	62 28.12
4		SEHB-64	3-4												
		SEHB-320	5320												

*Use Straight Pipe Thread.

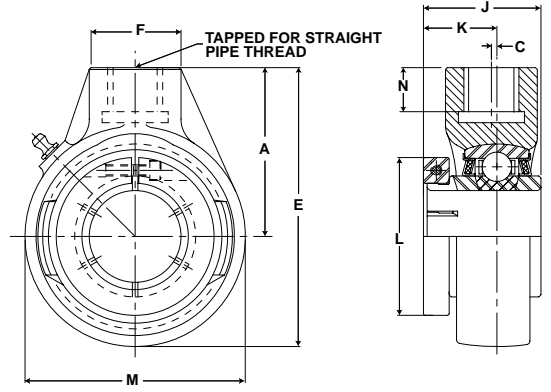
Note: Units may be provided with tight internal bearing clearance and housing fits by adding suffix BDZ to Part No., as SEHB-19 BDZ.

SEALMASTER®

Performance Mounted Ball Bearings



- Duty:** Varies
- Rolling Elements:** Ball
- Housing:** Ductile Iron Hanger Bearing
- Self Alignment:** +/- 2 Degrees
- Lock:** SKWEZLOC Locking Collar
- Seal:** Felt
- Optional Seal:** Contact
- Temperature:** -20° to 220°F



SEHB-T Series Hanger Bearing External Lube - SKWEZLOC Locking Collar

Bore Diameter		Part No.	Bearing Insert No.	Basic Dynamic Rating lb/N	Dimensions inch / mm								Pipe Tap* N.P.S.M.	N Thread Length	Unit Wt. lb/kg
inch	mm				A	C	E	F	J	K	L	M			
15/16 1	25	SEHB-15T	3-015T	4381 19487	2 1/2 63.5	-	4 1/16 103.2	1 9/16 39.7	1 9/16 39.7	7/8 22.2	2 1/16 52.4	3 1/8 79.4	3/4-14	13/16	2.2 1.00
		SEHB-305T	5305T												
		SEHB-16T	3-1T												
		SEHB-17T	2-11T												
1 3/16 1 1/4		SEHB-19T	3-13T	5782 25718	2 3/4 69.9	-	4 9/16 115.9	1 9/16 39.7	1 3/4 44.5	1 1/16 27.0	2 7/16 61.9	3 5/8 92.1	3/4-14	3/4	3.1 1.41
		SEHB-20 T	2-14T												
1 7/16 1 1/2	40	SEHB-23T	3-17T	7340 32648	2 7/8 73.0	3/32 2.4	4 3/4 120.7	1 9/16 39.7	2 50.8	1 1/4 31.8	2 11/16 68.3	3 3/4 95.3	3/4-14	3/4	3.4 1.54
		SEHB-24T	2-18T												
		SEHB-208T	5208T												
1 11/16 1 3/4 1 7/8 1 15/16 2	50	SEHB-27T	3-111T	7889 35090	3 1/4 82.6	3/16 4.8	5 7/16 138.1	1 7/8 47.6	2 3/32 53.2	1 11/32 34.1	3 1/4 82.6	4 3/8 111.1	1-11 1/2	13/16	4.5 2.04
		SEHB-28T	3-112T												
		SEHB-30T	2-114T												
		SEHB-31T	2-115T												
		SEHB-32T	1-2T												
SEHB-210T	5210T														
2 3/16		SEHB-35T	3-23T	11789 52437	4 101.6	11/32 8.7	6 13/16 173.0	2 5/16 58.7	2 5/8 66.7	1 5/8 41.3	4 1/16 103.2	5 5/8 142.9	1 1/4-11 1/2	1 1/8	9 4.08
2 7/16	60	SEHB-39T SEHB-212T	2-27T 5212T	11789 52437	4 101.6	11/32 8.7	6 13/16 173.0	2 5/16 58.7	2 5/8 66.7	1 5/8 41.3	4 1/8 104.8	5 5/8 142.9	1 1/4-11 1/2	1 1/8	9 4.08

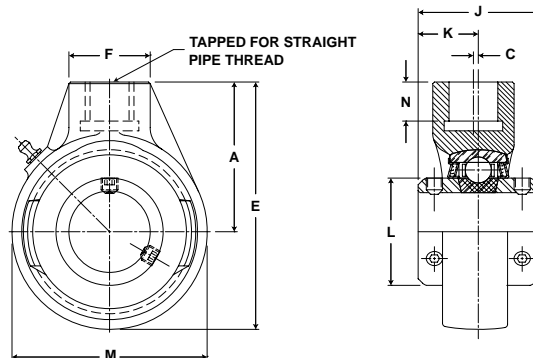
*Use Straight Pipe Thread.

Note: Units may be provided with tight internal bearing clearance and housing fits by adding suffix BDZ to Part No., as SEHB-19T BDZ.

Performance Mounted Ball Bearings **SEALMASTER**®



- Duty:** Varies
- Rolling Elements:** Ball
- Housing:** Ductile Iron Hanger Bearing
- Self Alignment:** +/- 2 Degrees
- Lock:** Double Setscrew
- Seal:** Felt
- Optional Seal:** Contact
- Temperature:** -20° to 220°F



SEHBD Series Hanger Bearing External Lube - Double Set Screw Locking

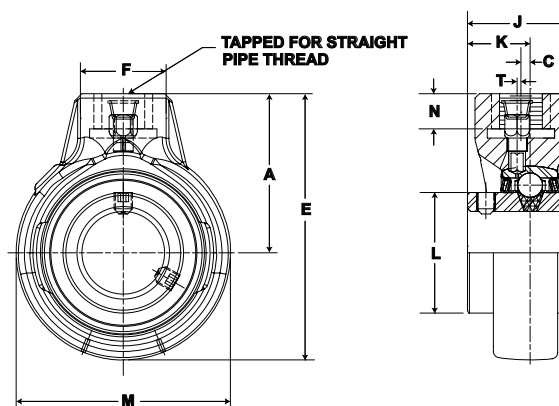
Bore Diameter inch	Part No.	Bearing Insert No.	Basic Dynamic Rating lb/N	Dimensions inch / mm								Pipe Tap* N.P.S.M.	N Thread Length	Unit Wt. lb/kg
				A	C	E	F	J	K	L	M			
1	SEHBD-16	3-1D	4381 19487	2 1/2 63.5	-	4 1/16 103.2	1 9/16 39.7	1 3/4 44.5	7/8 22.2	1 19/32 40.5	3 1/8 79.4	3/4-14	13/16	2.2 1.00
1 3/16	SEHBD-19	3-13D	5782	2 3/4	-	4 9/16	1 9/16	2	1	1 55/64	3 5/8	3/4-14	3/4	3.1 1.41
1 1/4	SEHBD-20	2-14D	25718	69.9	-	115.9	39.7	50.8	25.4	47.2	92.1			
1 7/16	SEHBD-23	3-17D	7340	2 7/8	3/32	4 3/4	1 9/16	2 5/16	1 5/32	2 1/16	3 3/4	3/4-14	3/4	3.4 1.54
1 1/2	SEHBD-24	2-18D	32648	73.0	2.4	120.7	39.7	58.7	29.4	52.4	95.3			
1 11/16	SEHBD-27	3-111D	7889 35090	3 1/4	3/16	5 7/16	1 7/8	2 1/2	1 1/4	2 15/32	4 3/8	1-11 1/2	13/16	4.5 2.04
1 7/8	SEHBD-30	2-114D		82.6	4.8	138.1	47.6	63.5	31.8	62.7	111.1			
1 15/16	SEHBD-31	2-115D												
2 3/16	SEHBD-35	3-23D	11789	3 7/16	1 1/8	5 7/8	1 7/8	3 1/8	1 9/16	2 23/32	4 7/8	1-11 1/2	1 1/8	9 4.08
2 7/16	SEHBD-39	2-27D	52437	87.3	28.6	149.2	47.6	79.4	39.7	69.1	123.8			
2 11/16	SEHBD-43	3-211D	13971	4 5/8	3/8	7 7/8	2 3/4	3 1/2	3 1/2	3 41/64	6 1/2	1 1/2-11 1/2	1 1/4	14.6 6.62
2 15/16	SEHBD-47	2-215D	62143	117.5	9.5	200.0	69.9	88.9	88.9	92.5	165.1			
3 15/16	SEHBD-63	3-315D	29905	8 1/8	-	13 1/4	4 3/8	5 3/8	5 3/8	5 11/64	10 1/4	2 1/2-8 1/2	2 5/8	62 28.12
4	SEHBD-64	3-4D	133017	206.4	-	336.6	111.1	136.5	136.5	131.4	260.4			

*Use Straight Pipe Thread.

Note: Units may be provided with tight internal and housing fits by adding suffix BDZ to Part No., as SEHBD-19 BDZ.



- Duty:** Varies
- Rolling Elements:** Ball
- Housing:** Ductile Iron Hanger Bearing
- Self Alignment:** +/- 2 Degrees
- Lock:** Setscrew
- Seal:** Felt
- Optional Seal:** Contact
- Temperature:** -20° to 220°F



SCHB Series Hanger Bearing Internal Lube - Setscrew Locking

Bore Diameter		Part No.	Bearing Insert No.	Basic Dynamic Rating lb/N	Dimensions inch / mm							Pipe Tap* N.P.S.M.	N Thread Length	T Brg. To Lub. Ftg. Centers	Unit Wt. lb/kg	
inch	mm				A	C	E	F	J	K	L					M
1 1 1/16	25	SCHB-15	3-015	4381 19487	2 1/2 63.5	-	4 1/16 103.2	1 9/16 39.7	1 1/2 38.1	7/8 22.2	1 19/32 40.5	3 1/8 79.4	3/4 - 14	13/16 0.37	◇ 7/32 0.10	2.2 1.00
		SCHB-305	5305													
	SCHB-16	3-1														
	SCHB-18	2-12														
1 3/16 1 1/4 1 5/16 1 3/8	30	SCHB-206	5206	5782 25718	2 3/4 69.9	-	4 9/16 115.9	1 9/16 39.7	1 11/16 42.9	1 25.4	1 55/64 47.2	3 5/8 92.1	3/4 - 14	3/4 0.34	◇ 1/4 0.11	3.1 1.41
		SCHB-19	3-13													
		SCHB-20	2-14													
		SCHB-21	2-15													
1 7/16 1 1/2 1 9/16	35	SCHB-22	2-16	7340 32648	2 7/8 73.0	3/32 2.4	4 3/4 120.7	1 9/16 39.7	1 15/16 49.2	1 3/16 30.2	2 1/16 52.4	3 3/4 95.3	3/4 - 14	3/4 0.34	◇ 19/64 0.13	3.4 1.54
		SCHB-23	3-17													
		SCHB-24	2-18													
		SCHB-25	2-19													
1 11/16 1 3/4 1 7/8 1 15/16 2	40	SCHB-208	5208	7889 35090	3 1/4 82.6	3/16 4.8	5 7/16 138.1	1 7/8 47.6	2 1/32 51.6	1 9/32 32.5	2 15/32 62.7	4 3/8 111.1	1 - 11 1/2	13/16 0.37	17/64 0.12	4.5 2.04
		SCHB-27	3-111													
		SCHB-28	3-112													
		SCHB-30	2-114													
2 3/16 2 1/4 2 3/8 2 7/16	50	SCHB-31	2-115	11789 52437	4 101.6	11/32 8.7	6 13/16 173.0	2 5/16 58.7	2 9/16 65.1	1 9/16 39.7	2 63/64 75.8	5 5/8 142.9	1 1/4 - 11 1/2	1 1/8 0.51	21/64 0.15	9.0 4.08
		SCHB-32R	1-2													
		SCHB-210	5210													
		SCHB-35	3-23													
2 11/16 2 7/8 2 15/16	60	SCHB-36	2-24	14839 66004	4 5/8 117.5	3/8 9.5	7 7/8 200.0	2 3/4 69.9	3 1/16 77.8	1 3/4 44.5	3 41/64 92.5	6 1/2 165.1	1 1/2 - 11 1/2	1 1/4 0.57	3/8 0.17	14.6 6.62
		SCHB-37	2-26													
		SCHB-38	2-27													
		SCHB-39	2-27													
3 3/16 3 1/2 3 5/8 3 7/8	75	SCHB-212	5212	17412 77449	4 7/8 123.8	5/16 7.9	8 5/16 211.1	2 13/16 71.4	3 1/4 82.6	1 15/16 49.2	3 59/64 99.6	6 7/8 174.6	1 1/2 - 11 1/2	1 1/4 0.57	13/32 0.18	16.8 7.62
		SCHB-43	3-211													
		SCHB-46	2-214													
		SCHB-47	2-215													
3 15/16 4 4 1/4 4 1/2	80	SCHB-215	5215	29905 133017	8 1/8 206.4	-	13 1/4 336.6	4 3/8 111.1	4 5/8 117.5	2 11/16 68.3	5 11/64 131.4	10 1/4 260.4	2 1/2 - 8 1/2	2 5/8 1.19	19/32 0.27	62 28.12
		SCHB-51	2-33													
		SCHB-216	5216													
		SCHB-63	3-315													
4 4 1/4 4 1/2 4 3/4	100	SCHB-64	3-4	5320	-	-	-	-	-	-	-	-	-	-	-	-
		SCHB-64	3-4													
		SCHB-320	5320													
		SCHB-64	3-4													

◇ No Adapter or Fitting
*Use Straight Pipe Thread

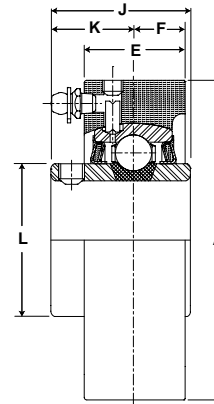
Performance Mounted Ball Bearings

SEALMASTER®

Mtd. Ball Bearings



- Duty:** Standard
- Rolling Elements:** Ball
- Housing:** Cast Iron Cylindrical Cartridge
- Self Alignment:** +/- 2 Degrees
- Lock:** Setscrew
- Seal:** Felt
- Optional Seal:** Contact
- Temperature:** -20° to 220°F

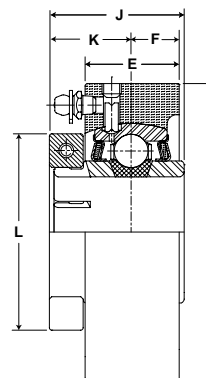


SC Series Standard Duty Cartridge Units - Setscrew Locking

Bore Diameter		Part No.	Bearing Insert No.	Basic Dynamic Rating lb/N	Dimensions inch / mm						Unit Wt. lb/kg	
inch	mm				A	E	F	J	L	K		
				±.001"								
1/2		SC-8	2-08									
9/16		SC-9	2-09	2611	2.688	7/8	1/2	1 7/32	1 3/16	23/32	1.1	
5/8		SC-10	2-010	11614	68.26	22.2	12.7	31.0	30.2	18.3	0.50	
11/16		SC-11	2-011									
3/4	20	SC-12	2-012	2611	2.938	7/8	1/2	1 7/32	1 3/16	23/32	1.4	
		SC-204	5204	11614	74.61	22.2	12.7	31.0	30.2	18.3	.63	
13/16		SC-13	2-013									
7/8		SC-14	2-014	2801	3.125	1 1/32	9/16	1 3/8	1 3/8	13/16	1.9	
15/16		SC-15	2-015	12459	79.38	26.2	14.3	34.9	34.9	20.6	0.86	
1	25	SC-16	2-1									
		SC-205	5205									
1 1/16		SC-17	2-11									
1 1/8		SC-18	2-12	4381	3.500	1 3/32	5/8	1 1/2	1 19/32	7/8	2.5	
1 3/16		SC-19	2-13	19487	88.90	27.8	15.9	38.1	40.5	22.2	1.13	
1 1/4	30	SC-20R	1-14									
		SC-206	5206									
1 1/4		SC-20	2-14									
1 5/16		SC-21	2-15	5782	3.875	1 7/32	11/16	1 11/16	1 55/64	1	3.2	
1 3/8		SC-22	2-16	25718	98.43	31.0	17.5	42.9	47.2	25.4	1.45	
1 7/16	35	SC-23	2-17									
		SC-207	5207									
1 1/2		SC-24	2-18	7340	4.188	1 15/32	3/4	1 15/16	2 1/16	1 3/16	4.1	
1 9/16	40	SC-25	2-19	32648	106.36	37.3	19.1	49.2	52.4	30.2	1.86	
		SC-208	5208									
1 5/8		SC-26	2-110									
1 11/16		SC-27	2-111	7901	4.375	1 7/16	3/4	1 15/16	2 19/64	1 3/16	4.5	
1 3/4	45	SC-28	2-112	35144	111.13	36.5	19.1	49.2	58.3	30.2	2.04	
		SC-209	5209									
1 13/16		SC-29	2-113									
1 7/8		SC-30	2-114	7889	4.563	1 15/32	3/4	2 1/32	2 15/32	1 9/32	4.9	
1 15/16		SC-31	2-115	35090	115.89	37.3	19.1	51.6	62.7	32.5	2.22	
2	50	SC-32R	1-2									
		SC-210	5210									
2		SC-32	2-2									
2 1/8		SC-34	2-22	9752	4.938	1 19/32	7/8	2 3/16	2 23/32	1 5/16	5.8	
2 3/16	55	SC-35	2-23	43377	125.41	40.5	22.2	55.6	69.1	33.3	2.63	
		SC-211	5211									
2 1/4		SC-36	2-24									
2 3/8		SC-38	2-26	11789	5.875	1 5/8	1	2 9/16	2 63/64	1 9/16	9.0	
2 7/16	60	SC-39	2-27	52437	149.23	41.3	25.4	65.1	75.8	39.7	4.08	
		SC-212	5212									
2 1/2		SC-40	3-28	13971	6.250	2	1 1/16	2 3/4	3 7/16	1 11/16	12.6	
2 11/16	70	SC-43	2-211	62143	158.75	50.8	27.0	69.9	87.3	42.9	5.72	
		SC-214	5214									
2 7/8		SC-46	2-214	14839	6.625	2	1 5/16	3 1/16	3 21/32	1 3/4	13.5	
2 15/16	75	SC-47	2-215	66004	168.28	50.8	33.3	77.8	92.9	44.5	6.12	
		SC-215	5215									



- Duty:** Standard
- Rolling Elements:** Ball
- Housing:** Cast Iron Cylindrical Cartridge
- Self Alignment:** Consult Application Engineering*
- Lock:** SKWEZLOC Locking Collar
- Seal:** Felt
- Optional Seal:** Contact
- Temperature:** -20° to 220°F



SC-T Series Standard Duty Cartridge Units - SKWEZLOC Locking Collar - Inch

Bore Diameter inch	Part No.	Bearing Insert No.	Basic Dynamic Rating lb/N	Dimensions inch / mm						Unit Wt. lb/kg
				A ±.001"	E	F	J	K	L	
15/16 1	SC-15T* SC-16T*	2-015T 2-1T	2801 12459	3 1/8 79.38	1 1/32 26.2	9/16 14.3	1 7/16 36.5	7/8 22.2	1 15/16 49.2	1.9 .86
1 1/8 1 3/16 1 1/4	SC-18T* SC-19T* SC-20RT*	2-12T 2-13T 1-14T	4381 19487	3 1/2 88.90	1 3/32 27.8	9/16 14.3	1 9/16 39.7	15/16 23.8	2 3/16 55.6	2.5 1.13
1 1/4	SC-20T	2-14T	5782 25718	3 7/8 98.43	1 7/32 31.0	5/8 15.9	1 3/4 44.5	1 1/16 27.0	2 7/16 61.9	3.3 1.47
1 3/8 1 7/16	SC-22T SC-23T	2-16T 2-17T	5782 25718	3 7/8 98.43	1 7/32 31.0	5/8 15.9	1 3/4 44.5	1 1/16 27.0	2 9/16 65.1	3.2 1.45
1 1/2 1 9/16	SC-24T SC-25T	2-18T 2-19T	7340 32648	4 3/16 106.36	1 15/32 37.3	3/4 19.1	2 50.8	1 1/4 31.8	2 11/16 68.3	4.1 1.86
1 5/8	SC-26T	2-110T	7901 35144	4 3/8 111.13	1 7/16 36.5	23/32 18.3	2 50.8	1 1/4 31.8	2 13/16 71.4	4.6 2.09
1 11/16 1 3/4	SC-27T SC-28T	2-111T 2-112T	7901 35144	4 3/8 111.13	1 7/16 36.5	23/32 18.3	2 50.8	1 1/4 31.8	2 15/16 74.6	4.5 2.04
1 15/16	SC-31T	2-115T	7889 35090	4 9/16 115.89	1 15/32 37.3	3/4 19.1	2 3/32 53.2	1 11/32 34.1	3 3/8 85.7	4.9 2.22
2	SC-32T	2-2T	9752 43377	4 15/16 125.41	1 19/32 40.5	27/32 21.4	2 1/4 57.2	1 3/8 34.9	3 1/2 88.9	5.8 2.63
2 1/8 2 3/16	SC-34T SC-35T	2-22T 2-23T	9752 43377	4 15/16 125.41	1 19/32 40.5	27/32 21.4	2 1/4 57.2	1 3/8 34.9	3 5/8 92.1	5.8 2.63
2 1/4	SC-36T	2-24T	11789 52437	5 7/8 149.23	1 5/8 41.3	13/16 20.6	2 5/8 66.7	1 5/8 41.3	4 1/16 103.2	9.0 4.08
2 3/8 2 7/16	SC-38T SC-39T	2-26T 2-27T	11789 52437	5 7/8 149.23	1 5/8 41.3	13/16 20.6	2 5/8 66.7	1 5/8 41.3	4 1/8 104.8	9.0 4.08

SC-T Series Standard Cartridge Units - SKWEZLOC Locking Collar - Metric - SKWEZ™

Bore Diameter mm	Part No.	Bearing Insert No.	Basic Dynamic Rating lb/N	Dimensions mm / inch						Unit Wt. lb/kg
				A ±.0025 mm	E	F	J	K	L	
25	SC-205TMC*	5205TMC	12459 2801	79.38 3 1/8	26.2 1 1/32	14.3 9/16	36.5 1 7/16	22.2 7/8	49.2 1 15/16	.86 1.9
30	SC-206TMC*	5206TMC	19487 4381	88.90 3 1/2	27.8 1 3/32	14.3 9/16	39.7 1 9/16	23.8 15/16	55.6 2 3/16	1.13 2.5
35	SC-207TMC	5207TMC	25718 5782	98.43 3 7/8	31.0 1 7/32	15.9 5/8	44.5 1 3/4	27.0 1 1/16	65.1 2 9/16	1.45 3.2
40	SC-208TMC	5208TMC	32648 7340	106.36 4 3/16	37.3 1 15/32	19.1 3/4	50.8 2	31.8 1 1/4	68.3 2 11/16	1.86 4.1
45	SC-209TMC	5209TMC	35144 7901	111.13 4 3/8	36.5 1 7/16	18.3 23/32	50.8 2	31.8 1 1/4	74.6 2 15/16	2.04 4.5
50	SC-210TMC	5210TMC	35090 7889	115.89 4 9/16	37.3 1 15/32	19.1 3/4	53.2 2 3/32	34.1 1 11/32	85.7 3 3/8	2.22 4.9
55	SC-211TMC	5211TMC	43377 9752	125.41 4 15/16	40.5 1 19/32	21.4 27/32	57.2 2 1/4	34.9 1 3/8	92.1 3 5/8	2.63 5.8
60	SC-212TMC	5212TMC	52437 11789	149.23 5 7/8	41.3 1 5/8	20.6 13/16	66.7 2 5/8	41.3 1 5/8	104.8 4 1/8	4.08 9.0

*Reversed Inner Ring; Misalignment Capability ± 1 1/2°

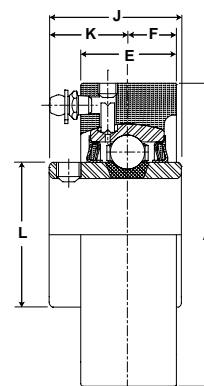
Performance Mounted Ball Bearings

SEALMASTER®

Mtd. Ball Bearings



- Duty:** Medium
- Rolling Elements:** Ball
- Housing:** Cast Iron Cylindrical Cartridge
- Self Alignment:** +/- 2 Degrees
- Lock:** Setscrew
- Seal:** Felt
- Optional Seal:** Contact
- Temperature:** -20° to 220°F

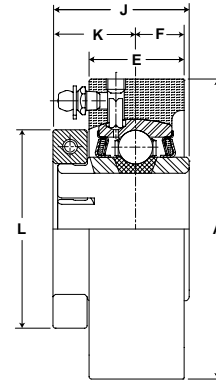


MSC Series Medium Duty Cartridge Units - Setscrew Locking

Bore Diameter		Part No.	Bearing Insert No.	Basic Dynamic Rating lb/N	Dimensions inch / mm						Unit Wt. lb/kg
inch	mm				A	E	F	J	K	L	
					±.001"						
15/16 1	25	MSC-15	3-015	4381 19487	3.500 88.90	1 3/32 27.8	9/16 14.3	1 1/2 38.1	7/8 22.2	1 19/32 40.5	2.5 1.13
		MSC-16	3-1								
		MSC-305	5305								
1 3/16 1 1/4	30	MSC-19	3-13	5782 25718	3.875 98.43	1 7/32 31.0	5/8 15.9	1 11/16 42.9	1 25.4	1 55/64 47.2	3.2 1.45
		MSC-20	2-14								
		MSC-306	5306								
1 3/8 1 7/16	35	MSC-22	3-16	7340 32648	4.188 106.36	1 15/32 37.3	3/4 19.1	1 15/16 49.2	1 3/16 30.2	2 1/16 52.4	4.1 1.86
		MSC-23	3-17								
		MSC-307	5307								
1 1/2	40	MSC-24	3-18	7901 35144	4.375 111.13	1 7/16 36.5	23/32 18.3	1 15/16 49.2	1 3/16 30.2	2 19/64 58.3	4.5 2.04
		MSC-308	5308								
1 11/16 1 3/4	45	MSC-27	3-111	7889 35090	4.563 115.89	1 15/32 37.3	3/4 19.1	2 1/32 51.6	1 9/32 32.5	2 15/32 62.7	4.9 2.22
		MSC-28	3-112								
		MSC-309	5309								
1 15/16 2	50	MSC-31	3-115	9752 43377	4.938 125.41	1 19/32 40.5	51/64 20.2	2 3/16 55.6	1 5/16 33.3	2 23/32 69.1	5.8 2.63
		MSC-32	2-2								
		MSC-310	5310								
2 3/16 2 1/4	55	MSC-35	3-23	11789 52437	5.875 149.23	1 5/8 41.3	13/16 20.6	2 9/16 65.1	1 9/16 39.7	2 63/64 75.8	9.5 4.31
		MSC-36	2-24								
		MSC-311	5311								
2 7/16 2 1/2	65	MSC-39	3-27	13971 62143	6.250 158.75	2 50.8	1 25.4	2 3/4 69.9	1 11/16 42.9	3 7/16 87.3	12.6 5.72
		MSC-40	3-28								
		MSC-313	5313								
2 11/16 2 3/4	70	MSC-43	3-211	14839 66004	6.625 168.28	2 50.8	1 25.4	3 1/16 77.8	1 3/4 44.5	3 21/32 92.9	14.1 6.40
		MSC-44	3-212								
		MSC-314	5314								
2 15/16 3	75	MSC-47	3-215	17412 77449	7.000 177.80	2 3/16 55.6	1 3/32 27.8	3 1/4 82.6	1 15/16 49.2	3 59/64 99.6	16.6 7.53
		MSC-48	3-3								
		MSC-315	5315								
3 3/16 3 1/4 3 3/8	80	MSC-51	3-33	18681 83093	7.438 188.91	2 1/2 63.5	1 1/4 31.8	3 3/8 85.7	2 1/32 51.6	4 5/32 105.6	20.2 9.16
		MSC-52	2-34								
		MSC-54	2-36								
		MSC-316	5316								
3 7/16 3 1/2		MSC-55	3-37	21566 95926	8.188 207.96	2 1/2 63.5	1 1/4 31.8	3 25/32 96.0	2 7/32 56.4	4 25/64 111.5	25.8 11.70
		MSC-56	2-38								
3 15/16 4	100	MSC-63	3-315	29905 133017	9.500 241.30	3 76.2	1 1/2 38.1	4 5/8 117.5	2 11/16 68.3	5 11/64 131.4	42 19.05
		MSC-64	3-4								
		MSC-320	5320								



Duty:	Medium
Rolling Elements:	Ball
Housing:	Cast Iron Cylindrical Cartridge
Self Alignment:	Consult Application Engineering*
Lock:	SKWEZLOC Locking Collar
Seal:	Felt
Optional Seal:	Contact
Temperature:	-20° to 220°F



MSC-T Series Medium Duty Cartridge Units- SKWEZLOC Locking Collar

Bore Diameter inch	Part No.	Bearing Insert No.	Basic Dynamic Rating lb/N	Dimensions inch / mm						Unit Wt. lb/kg
				A	E	J	K	F	L	
1	MSC-16T	3-1T	4381	3 1/2	1 3/32	1 9/16	15/16	9/16	2 1/16	2.5
			19487	88.90	27.8	39.7	23.8	14.3	52.4	1.13
1 3/16	MSC-19T	3-13T	5782	3 7/8	1 7/32	1 3/4	1 1/16	5/8	2 7/16	3.2
1 1/4	MSC-20T	2-14T	25718	98.43	31.0	44.5	27.0	15.9	61.9	1.45
1 7/16	MSC-23T	3-17T	7340	4 3/16	1 15/32	2	1 1/4	3/4	2 11/16	4.1
			32648	106.36	37.3	50.8	31.8	19.1	68.3	1.86
1 1/2	MSC-24T	3-18T	7901	4 3/8	1 7/16	2	1 1/4	23/32	2 13/16	4.5
			35144	111.13	36.5	50.8	31.8	18.3	71.4	2.04
1 11/16	MSC-27T	3-111T	7889	4 9/16	1 15/32	2 3/32	1 11/32	3/4	3 1/4	4.9
1 3/4	MSC-28T	3-112T	35090	115.89	37.3	53.2	34.1	19.1	82.6	2.22
1 15/16	MSC-31T	3-115T	9752	4 15/16	1 19/32	2 1/4	1 3/8	27/32	3 1/2	5.8
2	MSC-32T	2-2T	43377	125.41	40.5	57.2	34.9	21.4	88.9	2.63
2 3/16	MSC-35T	3-23T	11789	5 7/8	1 5/8	2 5/8	1 5/8	13/16	4 1/16	9.0
2 1/4	MSC-36T	2-24T	52437	149.23	41.3	66.7	41.3	20.6	103.2	4.08

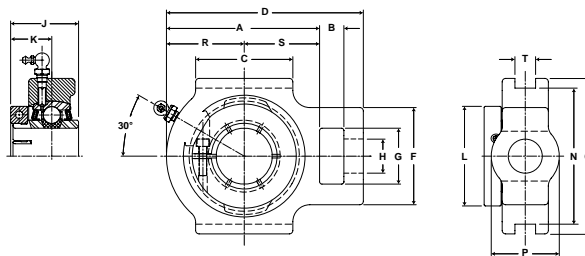
* Misalignment capability reduced as a result of SKWEZLOC collar clearance.

SEALMASTER®

Performance Mounted Ball Bearings



- Duty:** Standard
- Rolling Elements:** Ball
- Housing:** Cast Iron Wide Slot Take Up
- Self Alignment:** +/- 2 Degrees
- Lock:** SKWEZLOC Locking Collar
- Seal:** Felt
- Optional Seal:** Contact
- Temperature:** -20° to 220°F



ST-T Series Standard Duty Take-Up Units - SKWEZLOC Locking Collar

Bore Diameter inch	Part No.	Bearing Insert No.	Basic Dynamic Rating lb/N	Dimensions inch / mm																	Unit Wt. lb/kg
				A	B	C	D	F	G	H Core	J	K	L	N	O	P Hub	R	S	T		
3/4	ST-12T	2-012T	2611 11614	2 11/16 68.3	5/8 15.9	2 50.8	3 11/16 93.7	2 50.8	1 1/4 31.8	3/4 19.1	1 9/32 32.5	25/32 19.8	1 3/4 44.5	3 76.2	3 1/2 88.9	1 3/8 34.9	1 5/16 33.3	1 3/8 34.9	17/32	2.2 1.00	
15/16 1	ST-15T ST-16T	2-015T 2-1T	2801 12459	2 13/16 71.4	5/8 15.9	2 50.8	3 13/16 96.8	2 50.8	1 1/4 31.8	3/4 19.1	1 7/16 36.5	7/8 22.2	1 15/16 49.2	3 76.2	3 1/2 88.9	1 1/2 38.1	1 3/8 34.9	1 7/16 36.5	17/32	2.8 1.27	
1 1/8 1 3/16	ST-18T ST-19T	2-12T 2-13T	4381 19487	3 7/16 87.3	5/8 15.9	2 1/4 57.2	4 7/16 112.7	2 3/16 55.6	1 7/16 36.5	7/8 22.2	1 9/16 39.7	15/16 23.8	2 3/16 55.6	3 1/2 88.9	4 101.6	1 3/4 44.5	1 11/16 42.9	1 3/4 44.5	17/32	3.6 1.63	
1 1/4	ST-20T	2-14T	5782 25718	3 15/16 100.0	5/8 15.9	2 1/2 63.5	5 1/16 128.6	2 1/2 63.5	1 7/16 36.5	7/8 22.2	1 3/4 44.5	1 1/16 27.0	2 7/16 61.9	3 1/2 88.9	4 101.6	1 3/4 44.5	2 50.8	1 15/16 49.2	17/32	4.3 1.95	
1 3/8 1 7/16	ST-22T ST-23T	2-16T 2-17T	5782 25718	3 15/16 100.0	5/8 15.9	2 1/2 63.5	5 1/16 128.6	2 1/2 63.5	1 7/16 36.5	7/8 22.2	1 3/4 44.5	1 1/16 27.0	2 9/16 65.1	3 1/2 88.9	4 101.6	1 3/4 44.5	2 50.8	1 15/16 49.2	17/32	4.3 1.95	
1 1/2 1 9/16	ST-24T ST-25T	2-18T 2-19T	7340 32648	4 5/16 109.5	3/4 19.1	3 1/4 82.6	5 11/16 144.5	3 1/4 82.6	1 15/16 49.2	1 1/8 28.6	2 50.8	1 1/4 31.8	2 11/16 68.3	4 101.6	4 1/2 114.3	2 1/8 54.0	2 3/16 55.6	2 1/8 54.0	11/16	6.3 2.86	
1 5/8	ST-26T	2-110T	7901 35144	4 5/16 109.5	3/4 19.1	3 1/4 82.6	5 11/16 144.5	3 1/4 82.6	1 15/16 49.2	1 1/8 28.6	2 50.8	1 1/4 31.8	2 13/16 71.4	4 101.6	4 5/8 117.5	2 3/16 55.6	2 1/4 57.2	2 1/16 52.4	11/16	6.3 2.86	
1 11/16 1 3/4	ST-27T ST-28T	2-111T 2-112T	7901 35144	4 5/16 109.5	3/4 19.1	3 1/4 82.6	5 11/16 144.5	3 1/4 82.6	1 15/16 49.2	1 1/8 28.6	2 50.8	1 11/32 34.1	2 15/16 74.6	4 101.6	4 5/8 117.5	2 3/16 55.6	2 1/4 57.2	2 1/16 52.4	11/16	6.3 2.86	
1 15/16 2	ST-31T ST-32RT	2-115T 1-2T	7889 35090	4 1/2 114.3	3/4 19.1	3 3/8 85.7	5 7/8 149.2	3 1/4 82.6	1 15/16 49.2	1 1/8 28.6	2 3/32 53.2	1 1/4 31.8	3 3/8 85.7	4 101.6	4 5/8 117.5	2 3/16 55.6	2 5/16 58.7	2 3/16 55.6	11/16	6.6 2.99	
2	ST-32T	2-2T	9752 43377	5 127.0	1 25.4	3 3/4 95.3	6 3/4 171.5	4 101.6	2 1/2 63.5	1 3/8 34.9	2 1/4 57.2	1 3/8 34.9	3 1/2 88.9	5 1/8 130.2	5 3/4 146.1	2 1/4 57.2	2 9/16 65.1	2 7/16 61.9	1 1/16	10.4 4.72	
2 1/8 2 3/16	ST-34T ST-35T	2-22T 2-23T	9752 43377	5 127.0	1 25.4	3 3/4 95.3	6 3/4 171.5	4 101.6	2 1/2 63.5	1 3/8 34.9	2 1/4 57.2	1 3/8 34.9	3 5/8 92.1	5 1/8 130.2	5 3/4 146.1	2 1/4 57.2	2 9/16 65.1	2 7/16 61.9	1 1/16	10.4 4.72	
2 1/4	ST-36T	2-24T	11789 52437	5 5/8 142.9	1 1/4 31.8	4 101.6	7 5/8 193.7	4 101.6	2 1/2 63.5	1 3/8 34.9	2 5/8 66.7	1 5/8 41.3	4 1/16 103.2	5 1/8 130.2	5 3/4 146.1	2 3/8 60.3	2 15/16 74.6	2 11/16 68.3	1 1/16	13.4 6.08	
2 3/8 2 7/16	ST-38T ST-39T	2-26T 2-27T	11789 52437	5 5/8 142.9	1 1/4 31.8	4 101.6	7 5/8 193.7	4 101.6	2 1/2 63.5	1 3/8 34.9	2 5/8 66.7	1 5/8 41.3	4 1/8 104.8	5 1/8 130.2	5 3/4 146.1	2 3/8 60.3	2 15/16 74.6	2 11/16 68.3	1 1/16	13.4 6.08	

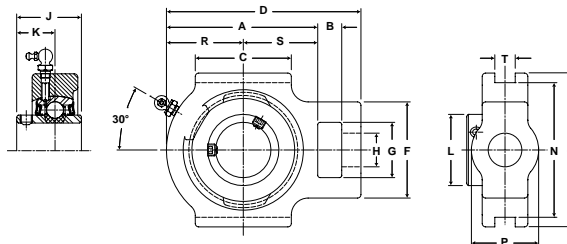
Performance Mounted Ball Bearings

SEALMASTER®

Mtd. Ball Bearings



- Duty:** Medium
- Rolling Elements:** Ball
- Housing:** Cast Iron Wide Slot Take Up
- Self Alignment:** +/- 2 Degrees
- Lock:** Setscrew
- Seal:** Felt
- Optional Seal:** Contact
- Temperature:** -20° to 220°F



MST Series Medium Duty Take-Up Units - Setscrew Locking

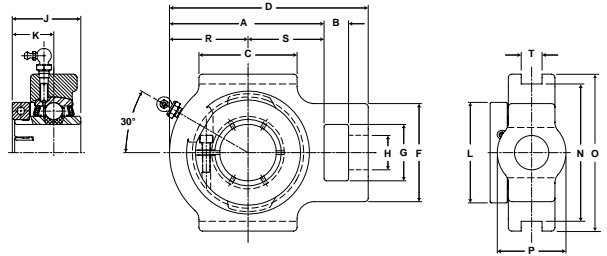
Bore Diameter		Part No.	Bearing Insert No.	Basic Dynamic Rating lb/N	Dimensions inch / mm														Unit Wt. lb/kg	
inch	mm				A	B	C	D	F	G	H Core	J	K	N	O	P Hub	R	S		T
15/16 1	25	MST-15	3-015	4381	3 7/16	5/8	2 1/4	4 7/16	2 3/16	1 7/16	7/8	1 1/2	7/8	3 1/2	4	1 3/4	1 11/16	1 3/4	17/32	3.4
		MST-16	3-1	19487	87.3	15.9	57.2	112.7	55.6	36.5	22.2	38.1	22.2	88.9	101.6	44.5	42.9	44.5		1.54
		MST-305	5305																	
1 3/16 1 1/4	30	MST-19	3-13	5782	3 15/16	5/8	2 1/2	5 1/16	2 1/2	1 7/16	7/8	1 11/16	1	3 1/2	4	1 3/4	2	1 15/16	17/32	4.0
		MST-20	2-14	25718	100.0	15.9	63.5	128.6	63.5	36.5	22.2	42.9	25.4	88.9	101.6	44.5	50.8	49.2		1.81
		MST-306	5306																	
1 7/16	35	MST-23	3-17	7340	4 5/16	3/4	3 1/4	5 11/16	3 1/4	1 15/16	1 1/8	1 15/16	1 3/16	4	4 1/2	2 1/8	2 3/16	2 1/8	11/16	6.2
		MST-307	5307	32648	109.5	19.1	82.6	144.5	82.6	49.2	28.6	49.2	30.2	101.6	114.3	54.0	55.6	54.0		2.81
1 1/2	40	MST-24	3-18	7901	4 5/16	3/4	3 1/4	5 11/16	3 1/4	1 15/16	1 1/8	1 15/16	1 3/16	4	4 5/8	2 3/16	2 1/4	2 1/16	11/16	6.2
		MST-308	5308	35144	109.5	19.1	82.6	144.5	82.6	49.2	28.6	49.2	30.2	101.6	117.5	55.6	57.2	52.4		2.81
1 11/16 1 3/4	45	MST-27	3-111	7889	4 1/2	3/4	3 3/8	5 7/8	3 1/4	1 15/16	1 1/8	2 1/32	1 9/32	4	4 5/8	2 3/16	2 5/16	2 3/16	11/16	6.4
		MST-28	3-112	35090	114.3	19.1	85.7	149.2	82.6	49.2	28.6	51.6	32.5	101.6	117.5	55.6	58.7	55.6		2.90
		MST-309	5309																	
1 15/16 2	50	MST-31	3-115	9752	5	1	3 3/4	6 3/4	4	2 1/2	1 3/8	2 3/16	1 5/16	5 1/8	5 3/4	2 1/4	2 9/16	2 7/16	11/16	10.0
		MST-32	2-2	43377	127.0	25.4	95.3	171.5	101.6	63.5	34.9	55.6	33.3	130.2	146.1	57.2	65.1	61.9		4.54
		MST-310	5310																	
2 3/16 2 1/4	55	MST-35	3-23	11789	5 5/8	1 1/4	4	7 5/8	4	2 1/2	1 3/8	2 9/16	1 9/16	5 1/8	5 3/4	2 3/8	2 11/16	2 11/16	1 1/16	12.3
		MST-36	2-24	52437	142.9	31.8	101.6	193.7	101.6	63.5	34.9	65.1	39.7	130.2	146.1	60.3	74.6	68.3		5.58
		MST-311	5311																	
2 7/16 2 1/2	65	MST-39	3-27	13971	6 3/4	1 1/4	4 3/4	8 13/16	4 3/8	2 3/4	1 5/8	2 3/4	1 11/16	5 15/16	6 9/16	3 3/8	3 7/16	3 5/16	1 1/16	19.5
		MST-40	3-28	62143	171.5	31.8	120.7	223.8	111.1	69.9	41.3	69.9	42.9	150.8	166.7	85.7	87.3	84.1		8.85
		MST-313	5313																	
2 11/16	70	MST-43	3-211	14839	7 1/16	1 1/4	4 3/4	9 1/8	4 3/8	2 3/4	1 5/8	3 1/16	1 3/4	5 15/16	6 9/16	3 3/8	3 5/8	3 7/16	1 1/16	19.8
		MST-314	5314	66004	179.4	31.8	120.7	231.8	111.1	69.9	41.3	77.8	44.5	150.8	166.7	85.7	92.1	87.3		8.98
2 15/16 3	75	MST-47	3-215	17412	7 3/16	1 1/4	4 3/4	9 1/4	4 3/8	2 3/4	1 5/8	3 1/4	1 15/16	6 1/2	7 1/4	3 3/8	3 3/4	3 7/16	1 1/16	23.0
		MST-48	3-3	77449	182.6	31.8	120.7	235.0	111.1	69.9	41.3	82.6	49.2	165.1	184.2	85.7	95.3	87.3		10.43
		MST-315	5315																	
3 3/16 3 1/4	80	MST-51	3-33	18681	7 5/8	1 1/2	6 3/16	10 1/4	4 7/8	2 7/8	1 7/8	3 3/8	2 1/32	6 13/16	7 13/16	3 1/2	3 7/8	3 3/4	1 13/16	31.8
		MST-52	2-34	83093	193.7	38.1	157.2	260.4	123.8	73.0	47.6	85.7	51.6	173.0	198.4	88.9	98.4	95.3		14.42
		MST-316	5316																	
3 15/16 4	100	MST-63	3-315	29905	9 1/4	1 1/2	6 1/2	11 7/8	4 7/8	2 7/8	1 7/8	4 5/8	2 11/16	8 3/8	9 3/8	3 1/2	4 3/4	4 1/2	1 13/16	50.0
		MST-64	3-4	133017	235.0	38.1	165.1	301.6	123.8	73.0	47.6	117.5	68.3	212.7	238.1	88.9	120.7	114.3		22.68
		MST-320	5320																	

SEALMASTER®

Performance Mounted Ball Bearings

Duty: Medium

- Rolling Elements:** Ball
- Housing:** Cast Iron Wide Slot Take Up
- Self Alignment:** +/- 2 Degrees
- Lock:** SKWEZLOC Locking Collar
- Seal:** Felt
- Optional Seal:** Contact
- Temperature:** -20° to 220°F



MST-T Series Medium Duty Take-Up Units - SKWEZLOC Locking Collar

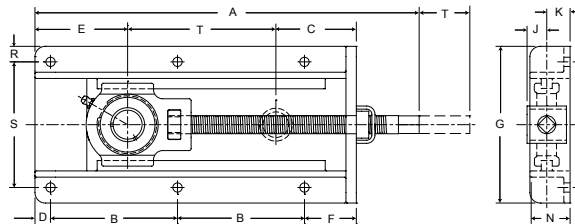
Bore Diameter inch	Part No.	Bearing Insert No.	Basic Dynamic Rating lbN	Dimensions inch / mm																Unit Wt. lb/kg
				A	B	C	D	F	G	H Core	J	K	L	N	O	P Hub	R	S	T	
1	MST-16T	3-1T	4381 19487	3 7/16 87.3	5/8 15.9	2 1/4 57.2	4 7/16 112.7	2 3/16 55.6	1 7/16 36.5	7/8 22.2	1 9/16 39.7	15/16 23.8	2 1/16 52.4	3 1/2 88.9	4 101.6	1 3/4 44.5	1 11/16 42.9	1 3/4 44.5	17/32	3.6 1.63
1 3/16	MST-19T	3-13T	5782	3 15/16	5/8	2 1/2	5 1/16	2 1/2	1 7/16	7/8	1 3/4	1 1/16	2 7/16	3 1/2	4	1 3/4	2	1 15/16	17/32	4.3
1 1/4	MST-20T	2-14T	25718	100.0	15.9	63.5	128.6	63.5	36.5	22.2	44.5	27.0	61.9	88.9	101.6	44.5	50.8	49.2	17/32	1.95
1 7/16	MST-23T	3-17T	7340 32648	4 5/16 109.5	3/4 19.1	3 1/4 82.6	5 11/16 144.5	3 1/4 82.6	1 15/16 49.2	1 1/8 28.6	2 50.8	1 1/4 31.8	2 11/16 68.3	4 101.6	4 1/2 114.3	2 1/8 54.0	2 3/16 55.6	2 1/8 54.0	11/16	6.3 2.86
1 1/2	MST-24T	3-18T	7901 35144	4 5/16 109.5	3/4 19.1	3 1/4 82.6	5 11/16 144.5	3 1/4 82.6	1 15/16 49.2	1 1/8 28.6	2 50.8	1 1/4 31.8	2 13/16 71.4	4 101.6	4 5/8 117.5	2 3/16 55.6	2 1/4 57.2	2 1/16 52.4	11/16	6.3 2.86
1 11/16	MST-27T	3-111T	7889	4 1/2	3/4	3 3/8	5 7/8	3 1/4	1 15/16	1 1/8	2 3/32	1 11/32	3 1/4	4	4 5/8	2 3/16	2 5/16	2 3/16	11/16	6.6
1 3/4	MST-28T	3-112T	35090	114.3	19.1	85.7	149.2	82.6	49.2	28.6	53.2	34.1	82.6	101.6	117.5	55.6	58.7	55.6	11/16	2.99
1 15/16	MST-31T	3-115T	9752	5	1	3 3/4	6 3/4	4	2 1/2	1 3/8	2 1/4	1 3/8	3 1/2	5 1/8	5 3/4	2 1/4	2 9/16	2 7/16	1 1/16	10.4
2	MST-32T	2-2T	43377	127.0	25.4	95.3	171.5	101.6	63.5	34.9	57.2	34.9	88.9	130.2	146.1	57.2	65.1	61.9	1 1/16	4.72
2 3/16	MST-35T	3-23T	11789	5 5/8	1 1/4	4	7 5/8	4	2 1/2	1 3/8	2 5/8	1 5/8	4 1/16	5 1/8	5 3/4	2 3/8	2 15/16	2 11/16	1 1/16	13.4
2 1/4	MST-36T	2-24T	52437	142.9	31.8	101.6	193.7	101.6	63.5	34.9	66.7	41.3	103.2	130.2	146.1	60.3	74.6	68.3	1 1/16	6.08

Performance Mounted Ball Bearings **SEALMASTER**®

Mtd. Ball Bearings



- Duty:** Standard
- Rolling Elements:** Ball
- Housing:** Center Pull Take Up Frame & Take Up Housing
- Self Alignment:** +/- 2 Degrees
- Lock:** Setscrew
- Optional Lock:** SKWEZLOC Locking Collar
- Seal:** Felt
- Optional Seal:** Contact
- Temperature:** -20° to 220°F

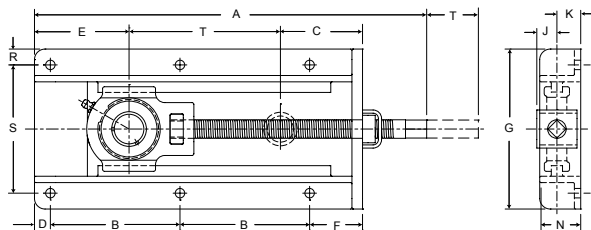


STH Center Pull Take Up Frames

Bore Diameter		Part No.	Housing Assembly Included	Bearing Insert No.	Dimensions inch / mm												Bolt Size	Unit Wt. lb/kg	Frame Only Part No.	
inch	mm				T Travel	A	B	C	D	E	F	G	J	K	N	R				S
7/8		STH-14-6	ST-14	2-014	6	15	4 5/8	3 1/4	3/4	3 1/4	2 1/2	7 9/16	13/16	1 1/8	1 3/4	3/4	6 1/16	3/8	11.6	STH 12 TO 16-6 DZU
		152.4			381.0	117.5	82.6												19.1	
		STH-14-9			9	18	6 1/8												13.6	STH 12 TO 16-9 DZU
					228.6	457.2	155.6												6.2	
15/16		STH-15-6	ST-15	2-015	6	15	4 5/8	3 1/4	3/4	3 1/4	2 1/2	7 9/16	13/16	1 1/8	1 3/4	3/4	6 1/16	3/8	11.6	STH 12 TO 16-6 DZU
		152.4			381.0	117.5	82.6												19.1	
		STH-15-9			9	18	6 1/8												13.6	STH 12 TO 16-9 DZU
					228.6	457.2	155.6												6.2	
25		STH-205-6	ST-205	5205	6	15	4 5/8	3 1/4	3/4	3 1/4	2 1/2	7 9/16	13/16	1 1/8	1 3/4	3/4	6 1/16	3/8	11.6	STH 12 TO 16-6 DZU
		152.4			381.0	117.5	82.6												19.1	
		STH-205-9			9	18	6 1/8												13.6	STH 12 TO 16-9 DZU
					228.6	457.2	155.6												6.2	
1		STH-16-6	ST-16	2-1	6	15	4 5/8	3 1/4	3/4	3 1/4	2 1/2	7 9/16	13/16	1 1/8	1 3/4	3/4	6 1/16	3/8	11.6	STH 12 TO 16-6 DZU
		152.4			381.0	117.5	82.6												19.1	
		STH-16-9			9	18	6 1/8												13.6	STH 12 TO 16-9 DZU
					228.6	457.2	155.6												6.2	
1 1/8		STH-18-6	ST-18	2-12	6	16 1/8	5	3 1/2	3/4	3 3/4	2 1/2	8 1/16	7/8	1 1/4	1 3/4	3/4	6 9/16	3/8	14.1	STH 17 TO 16-6 DZU
		152.4			409.6	127.0	88.9												19.1	
		STH-18-9			9	19 1/8	6 1/2												17.4	STH 17 TO 16-9 DZU
					228.6	485.8	165.1												7.9	
30		STH-206-6	ST-206	5206	6	16 1/8	5	3 1/2	3/4	3 3/4	2 1/2	8 1/16	7/8	1 1/4	1 3/4	3/4	6 9/16	3/8	14.1	STH 17 TO 19-6 DZU
		152.4			409.6	127.0	88.9												19.1	
		STH-206-9			9	19 1/8	6 1/2												16	STH 17 TO 19-9 DZU
					228.6	485.8	165.1												7.3	
1 3/16		STH-19-6	ST-19	2-13	6	16 1/8	5	3 1/2	3/4	3 3/4	2 1/2	8 1/16	7/8	1 1/4	1 3/4	3/4	6 9/16	3/8	14.1	STH 17 TO 19-6 DZU
		152.4			409.6	127.0	88.9												19.1	
		STH-19-9			9	19 1/8	6 1/2												16	STH 17 TO 19-9 DZU
					228.6	485.8	165.1												7.3	
1 1/4		STH-20-9	ST-20	2-14	9	19 11/16	6 13/16	3 7/8	3/4	4	2 1/2	8 1/16	1	1 1/4	1 3/4	3/4	6 9/16	3/8	16	STH 20 TO 23-9 DZU
		228.6			500.1	173.0	98.4												19.1	
		STH-20-12			12	22 11/16	8 5/16												19.5	STH 20 TO 23-12 DZU
					304.8	576.3	211.1												8.8	
1 3/8		STH-22-9	ST-22	2-16	9	19 11/16	6 13/16	3 7/8	3/4	4	2 1/2	8 1/16	1	1 1/4	1 3/4	3/4	6 9/16	3/8	17.4	STH 20 TO 23-9 DZU
		228.6			500.1	173.0	98.4												19.1	
		STH-22-12			12	22 11/16	8 5/16												19.5	STH 20 TO 23-12 DZU
					304.8	576.3	211.1												8.8	
35		STH-207-9	ST-207	5207	9	19 11/16	6 13/16	3 7/8	3/4	4	2 1/2	8 1/16	1	1 1/4	1 3/4	3/4	6 9/16	3/8	17.4	STH 20 TO 23-9 DZU
		228.6			500.1	173.0	98.4												19.1	
		STH-207-12			12	22 11/16	8 5/16												19.5	STH 20 TO 23-12 DZU
					304.8	576.3	211.1												8.8	
1 7/16		STH-23-9	ST-23	2-17	9	19 11/16	6 13/16	3 7/8	3/4	4	2 1/2	8 1/16	1	1 1/4	1 3/4	3/4	6 9/16	3/8	17.4	STH 20 TO 23-9 DZU
		228.6			500.1	173.0	98.4												19.1	
		STH-23-12			12	22 11/16	8 5/16												19.5	STH 20 TO 23-12 DZU
					304.8	576.3	211.1												8.8	
1 1/2		STH-24-12	ST-24	2-18	12	23 9/16	8 9/16	4 1/4	7/8	4 1/4	2 1/2	9 5/16	1 3/16	1 3/8	2	7/8	7 9/16	3/8	27.2	STH 24 TO 28-12 DZU
		304.8			598.5	217.5	108.0												22.2	
		STH-24-18			18	29 9/16	11 9/16												32	STH 24 TO 28-18 DZU
					457.2	750.9	293.7												14.5	



- Duty:** Standard
- Rolling Elements:** Ball
- Housing:** Cast Iron Center Pull Take Up Frame & Take Up Housing
- Self Alignment:** +/- 2 Degrees
- Lock:** Setscrew
- Optional Lock:** SKWEZLOC Locking Collar
- Seal:** Felt
- Optional Seal:** Contact
- Temperature:** -20° to 220°F



STH Center Pull Take Up Frames

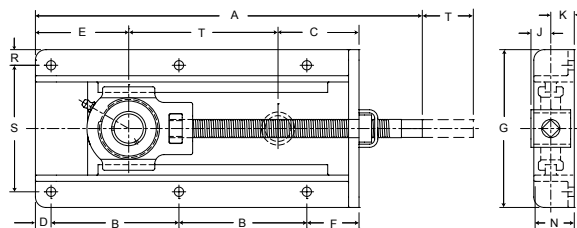
Bore Diameter		Part No.	Housing Assembly Included	Bearing Insert No.	Dimensions inch / mm													Bolt Size	Unit Wt. lb/kg	Frame Only Part No.
inch	mm				T Travel	A	B	C	D	E	F	G	J	K	N	R	S			
1 9/16		STH-25-12	ST-25	2-19	12	23 9/16	8 9/16	4 1/4	7/8	4 1/4	2 1/2	9 5/16	1 3/16	1 3/8	2	7/8	7 9/16	3/8	27.2	STH 24 TO 28-12 DZU
		304.8			598.5	217.5	12.3													
		18			29 9/16	11 9/16	108.0												22.2	
		STH-25-18			457.2	750.9	293.7												14.5	
40		STH-208-12	ST-208	5208	12	23 9/16	8 9/16	4 1/4	7/8	4 1/4	2 1/2	9 5/16	1 3/16	1 3/8	2	7/8	7 9/16	3/8	27.2	STH 24 TO 28-12 DZU
		304.8			598.5	217.5	12.3													
		18			29 9/16	11 9/16	108.0												22.2	
		STH-208-18			457.2	750.9	293.7												14.5	
1 5/8		STH-26-12	ST-26	2-110	12	23 9/16	8 9/16	4 1/4	7/8	4 1/4	2 1/2	9 5/16	1 3/16	1 3/8	2	7/8	7 9/16	3/8	27.2	STH 24 TO 28-12 DZU
		304.8			598.5	217.5	12.3													
		18			29 9/16	11 9/16	108.0												22.2	
		STH-26-18			457.2	750.9	293.7												14.5	
1 11/16		STH-27-12	ST-27	2-111	12	23 9/16	8 9/16	4 1/4	7/8	4 1/4	2 1/2	9 5/16	1 3/16	1 3/8	2	7/8	7 9/16	3/8	27.2	STH 24 TO 28-12 DZU
		304.8			598.5	217.5	12.3													
		18			29 9/16	11 9/16	108.0												22.2	
		STH-27-18			457.2	750.9	293.7												14.5	
1 3/4		STH-28-12	ST-28	2-112	12	23 9/16	8 9/16	4 1/4	7/8	4 1/4	2 1/2	9 5/16	1 3/16	1 3/8	2	7/8	7 9/16	3/8	27.2	STH 24 TO 28-12 DZU
		304.8			598.5	217.5	12.3													
		18			29 9/16	11 9/16	108.0												22.2	
		STH-28-18			457.2	750.9	293.7												14.5	
45		STH-209-12	ST-209	5209	12	23 9/16	8 9/16	4 1/4	7/8	4 1/4	2 1/2	9 5/16	1 3/16	1 3/8	2	7/8	7 9/16	3/8	27.2	STH 24 TO 28-12 DZU
		304.8			598.5	217.5	12.3													
		18			29 9/16	11 9/16	108.0												22.2	
		STH-209-18			457.2	750.9	293.7												14.5	
1 7/8		STH-30-12	ST-30	2-114	12	23 11/16	8 5/8	4 3/8	7/8	4 1/4	2 1/2	9 5/16	1 9/32	1 3/8	2	7/8	7 9/16	1/2	27.2	STH 30 TO 31-12 DZU
		304.8			601.7	219.1	12.3													
		18			29 11/16	11 5/8	111.1												22.2	
		STH-30-18			457.2	754.1	295.3												15.0	
1 15/16		STH-31-12	ST-31	2-115	12	23 11/16	8 5/8	4 3/8	7/8	4 1/4	2 1/2	9 5/16	1 9/32	1 3/8	2	7/8	7 9/16	1/2	27.2	STH 30 TO 31-12 DZU
		304.8			601.7	219.1	12.3													
		18			29 11/16	11 5/8	111.1												22.2	
		STH-31-18			457.2	754.1	295.3												15.0	
50		STH-210-12	ST-210	5210	12	23 11/16	8 5/8	4 3/8	7/8	4 1/4	2 1/2	9 5/16	1 9/32	1 3/8	2	7/8	7 9/16	1/2	27.2	STH 30 TO 31-12 DZU
		304.8			601.7	219.1	12.3													
		18			29 11/16	11 5/8	111.1												22.2	
		STH-210-18			457.2	754.1	295.3												15.0	
2		STH-32-12	ST-32	2-2	12	24 13/16	9 1/16	4 7/8	7/8	4 1/2	2 3/8	11 3/16	1 5/16	1 1/2	2 1/2	7/8	9 7/16	1/2	41.6	STH 32 TO 35-12 DZU
		304.8			630.2	230.2	18.9													
		18			30 13/16	12 1/16	123.8												22.2	
		STH-32-18			457.2	782.6	306.4												23.0	
2 1/8		STH-34-12	ST-34	2-22	12	24 13/16	9 1/16	4 7/8	7/8	4 1/2	2 3/8	11 3/16	1 5/16	1 1/2	2 1/2	7/8	9 7/16	1/2	41.6	STH 32 TO 35-12 DZU
		304.8			630.2	230.2	18.9													
		18			30 13/16	12 1/16	123.8												22.2	
		STH-34-18			457.2	782.6	306.4												23.0	
55		STH-211-12	ST-211	5211	12	24 13/16	9 1/16	4 7/8	7/8	4 1/2	2 3/8	11 3/16	1 5/16	1 1/2	2 1/2	7/8	9 7/16	1/2	41.6	STH 32 TO 35-12 DZU
		304.8			630.2	230.2	18.9													
		18			30 13/16	12 1/16	123.8												22.2	
		STH-211-18			457.2	782.6	306.4												23.0	

Performance Mounted Ball Bearings **SEALMASTER**®

Mtd. Ball Bearings



- Duty:** Standard
- Rolling Elements:** Ball
- Housing:** Cast Iron Center Pull Take Up Frame & Take Up Housing
- Self Alignment:** +/- 2 Degrees
- Lock:** Setscrew
- Optional Lock:** SKWEZLOC Locking Collar
- Seal:** Felt
- Optional Seal:** Contact
- Temperature:** -20° to 220°F



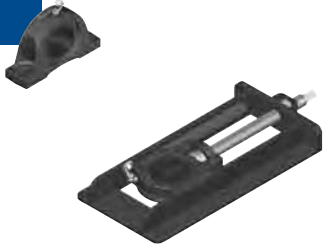
STH Center Pull Take Up Frames

Bore Diameter		Part No.	Housing Assembly Included	Bearing Insert No.	Dimensions inch / mm													Bolt Size	Unit Wt. lb/kg	Frame Only Part No.
inch	mm				T Travel	A	B	C	D	E	F	G	J	K	N	R	S			
2 3/16		STH-35-12	ST-35	2-23	12	24 13/16	9 1/16	4 7/8	7/8	4 1/2	2 3/8	11 3/16	1 5/16	1 1/2	2 1/2	7/8	9 7/16	1/2	41.6	STH 32 TO 35-12 DZU
		304.8			630.2	230.2	18.9													
		STH-35-18			18	30 13/16	12 1/16	123.8	22.2	114.3	60.3	284.2	33.3	38.1	63.5	22.2	239.7		50.6	STH 32 TO 35-18 DZU
		457.2			782.6	306.4	23.0													
2 1/4		STH-36-12	ST-36	2-24	12	25 9/16	9 9/16	5 3/8	7/8	5	2 3/8	11 3/16	1 9/16	1 1/2	2 1/2	7/8	9 7/16	1/2	45.0	STH 36 TO 39-12 DZU
		304.8			649.3	242.9	20.4													
		STH-36-18			18	31 9/16	12 9/16	136.5	22.2	127.0	60.3	284.2	39.7	38.1	63.5	22.2	239.7		53.0	STH 36 TO 39-18 DZU
		457.2			801.7	319.1	24.0													
	60	STH-212-12	ST-212	5212	12	25 9/16	9 9/16	5 3/8	7/8	5	2 3/8	11 3/16	1 9/16	1 1/2	2 1/2	7/8	9 7/16	1/2	45.0	STH 36 TO 39-12 DZU
		304.8			649.3	242.9	20.4													
		STH-212-18			18	31 9/16	12 9/16	136.5	22.2	127.0	60.3	284.2	39.7	38.1	63.5	22.2	239.7		53.0	STH 36 TO 39-18 DZU
		457.2			801.7	319.1	24.0													
2 3/8		STH-38-12	ST-38	2-26	12	25 9/16	9 9/16	5 3/8	7/8	5	2 3/8	11 3/16	1 9/16	1 1/2	2 1/2	7/8	9 7/16	1/2	45.0	STH 36 TO 39-12 DZU
		304.8			649.3	242.9	20.4													
		STH-38-18			18	31 9/16	12 9/16	136.5	22.2	127.0	60.3	284.2	39.7	38.1	63.5	22.2	239.7		53.0	STH 36 TO 39-18 DZU
		457.2			801.7	319.1	24.0													
2 7/16		STH-39-12	ST-39	2-27	12	25 9/16	9 9/16	5 3/8	7/8	5	2 3/8	11 3/16	1 9/16	1 1/2	2 1/2	7/8	9 7/16	1/2	45.0	STH 36 TO 39-12 DZU
		304.8			649.3	242.9	20.4													
		STH-39-18			18	31 9/16	12 9/16	136.5	22.2	127.0	60.3	284.2	39.7	38.1	63.5	22.2	239.7		53.0	STH 36 TO 39-18 DZU
		457.2			801.7	319.1	24.0													
2 1/2		STH-40-12	ST-40	3-28	12	27 1/2	10 1/4	6 3/16	7/8	5 11/16	2 1/2	12	1 11/16	2	3	7/8	10 1/4	5/8	62.5	STH 40 TO 47-12 DZU
		304.8			698.5	260.4	28.3													
		STH-40-18			18	33 1/2	13 1/4	157.2	22.2	144.5	63.5	304.8	42.9	50.8	76.2	22.2	260.4		73.7	STH 40 TO 47-18 DZU
		457.2			850.9	336.6	33.4													
2 11/16		STH-43-12	ST-43	2-211	12	27 1/2	10 1/4	6 3/16	7/8	5 11/16	2 1/2	12	1 11/16	2	3	7/8	10 1/4	5/8	62.5	STH 40 TO 47-12 DZU
		304.8			698.5	260.4	28.3													
		STH-43-18			18	33 1/2	13 1/4	157.2	22.2	144.5	63.5	304.8	42.9	50.8	76.2	22.2	260.4		73.7	STH 40 TO 47-18 DZU
		457.2			850.9	336.6	33.4													
	70	STH-214-12	ST-214	5214	12	27 1/2	10 1/4	6 3/16	7/8	5 11/16	2 1/2	12	1 11/16	2	3	7/8	10 1/4	5/8	62.5	STH 40 TO 47-12 DZU
		304.8			698.5	260.4	28.3													
		STH-214-18			18	33 1/2	13 1/4	157.2	22.2	144.5	63.5	304.8	42.9	50.8	76.2	22.2	260.4		73.7	STH 40 TO 47-18 DZU
		457.2			850.9	336.6	33.4													
2 7/8		STH-46-12	ST-46	2-214	12	27 1/2	10 1/4	6 3/16	7/8	5 11/16	2 1/2	12	1 3/4	2	3	7/8	10 1/4	5/8	62.5	STH 40 TO 47-12 DZU
		304.8			698.5	260.4	28.3													
		STH-46-18			18	33 1/2	13 1/4	157.2	22.2	144.5	63.5	304.8	44.5	50.8	76.2	22.2	260.4		73.7	STH 40 TO 47-18 DZU
		457.2			850.9	336.6	33.4													
2 15/16		STH-47-12	ST-47	2-215	12	27 1/2	10 1/4	6 3/16	7/8	5 11/16	2 1/2	12	1 3/4	2	3	7/8	10 1/4	5/8	62.5	STH 40 TO 47-12 DZU
		304.8			698.5	260.4	28.3													
		STH-47-18			18	33 1/2	13 1/4	157.2	22.2	144.5	63.5	304.8	44.5	50.8	76.2	22.2	260.4		73.7	STH 40 TO 47-18 DZU
		457.2			850.9	336.6	33.4													
	75	STH-215-12	ST-215	5215	12	27 1/2	10 1/4	6 3/16	7/8	5 11/16	2 1/2	12	1 3/4	2	3	7/8	10 1/4	5/8	62.5	STH 40 TO 47-12 DZU
		304.8			698.5	260.4	28.3													
		STH-215-18			18	33 1/2	13 1/4	157.2	22.2	144.5	63.5	304.8	44.5	50.8	76.2	22.2	260.4		73.7	STH 40 TO 47-18 DZU
		457.2			850.9	336.6	33.4													

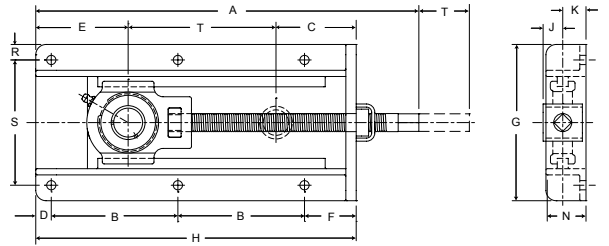
The STH series style H, are side mounting frame take-up units designed to incorporate the ST series take-up units as indicated in the accompanying charts. They are used where shaft adjustment and/or belt tightening is required in conveyor applications. They are manufactured from heavy gauge structural steel members and equipped with heavy duty Acme (square) threads for positive action. Adjustment is made by turning the square head with an open end wrench. For SKWEZLOC Locking Collar add T suffix example STH-23T-12 For Contact Seal add C suffix example STH-23C-12

SEALMASTER®

Performance Mounted Ball Bearings



- Duty:** Medium
- Rolling Elements:** Ball
- Housing:** Cast Iron Center Pull Take Up Frame & Take Up Housing
- Self Alignment:** +/- 2 Degrees
- Lock:** Setscrew
- Seal:** Felt
- Optional Seal:** Contact
- Temperature:** -20° to 220°F



MSTH Center Pull Take Up Frames

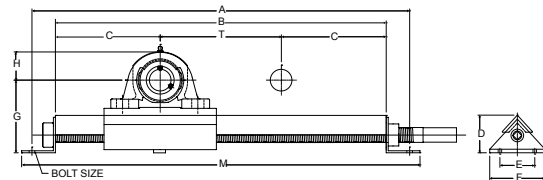
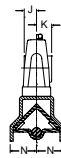
Bore Diameter inch	Part No.	Housing Assembly Included	Bearing Insert No.	Dimensions inch / mm														Bolt Size	Unit Wt. lb/kg	Frame Only Part No.
				T Travel	A	B	C	D	E	F	G	H	J	K	N	R	S			
1 11/16	MSTH-31-12	MST-31	3-115	12	23 11/16	8 5/8	4 3/8	7/8	4 1/4	2 1/2	9 5/16	20 5/8	1 9/32	1 1/2	2 1/2	7/8	9 7/16	1/2	41.6 18.9	STH 32 TO 35-12
2	MSTH-32-12	MST-32	2-2	304.8	630.2	230.2	123.8	22.2	114.3	60.3	284.2	542.9	33.3	38.1	63.5	22.2	239.7			
2 7/16	MSTH-39-12	MST-39	3-27	12	25 9/16	9 9/16	5 3/8	7/8	5	2 3/8	11 3/16	22 3/8	1 9/16	1 1/2	2 1/2	7/8	9 7/16	5/8	62.5 28.3	STH 40 TO 47-12
2 1/2	MSTH-40-12	MST-40	3-28	304.8	698.5	260.4	157.2	22.2	144.5	63.5	304.8	606.4	44.5	50.8	76.2	22.2	260.4			

The MSTH series style H, are side mounting take-up units designed to incorporate MST series take-up units as indicated in the table above. They are used where shaft adjustment and/or belt tightening is required in conveyor applications. They are manufactured from heavy gauge structural steel members and equipped with heavy duty Acme (square) threads for positive action. Adjustment is made by turning the square head with an open wrench.

Performance Mounted Ball Bearings **SEALMASTER®**



- Duty:** Standard
- Rolling Elements:** Ball
- Housing:** Cast Iron Top Mount Take Up Frame & Pillow Block Housing
- Self Alignment:** +/- 2 Degrees
- Lock:** Setscrew
- Optional Lock:** SKWEZLOC Locking Collar
- Seal:** Felt
- Optional Seal:** Contact
- Temperature:** -20° to 220°F



NPG and SPG Series Style "G" Protected Screw Take Ups – Setscrew Locking

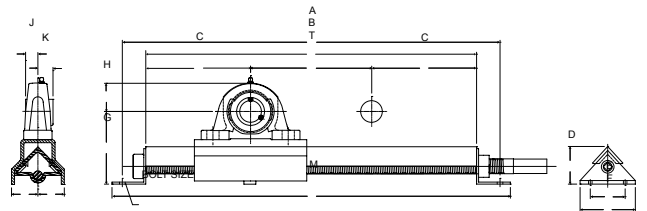
Bore Diameter		Part No.	Housing Assembly Included	Bearing Insert No.	Dimensions inch / mm															Bolt Size	Unit Wt. lb/kg	Frame Only Part No.
inch	mm				T Travel	A	B	M	C	D	E	F	G	H	J	K	N	O				
7/8		NPG-14-6	NP-14	2-014	6	18	15 1/4	19 1/2	4 5/8	2 5/16	2 1/2	3 3/4	4 1/8	1 3/8	9/16	13/16	1 9/16	1/4	3/8	12.4	NPG 14 TO 16-6 DZW	
		152.4			457.2	387.4	495.3	117.5												58.7		63.5
		NPG-14-9	NP-14	2-014	9	21	18 1/4	22 1/2	117.5	58.7	63.5	95.3	104.8	34.9	14.3	20.6	39.7	6.4	3/8	13.5	NPG 14 TO 16-9 DZW	
		228.6			533.4	463.6	571.5	6.12														
15/16		NPG-15-6	NP-15	2-015	6	18	15 1/4	19 1/2	4 5/8	2 5/16	2 1/2	3 3/4	4 1/8	1 3/8	9/16	13/16	1 9/16	1/4	3/8	12.4	NPG 14 TO 16-6 DZW	
		152.4			457.2	387.4	495.3	117.5												58.7		63.5
		NPG-15-9	NP-15	2-015	9	21	18 1/4	22 1/2	117.5	58.7	63.5	95.3	104.8	34.9	14.3	20.6	39.7	6.4	3/8	13.5	NPG 14 TO 16-9 DZW	
		228.6			533.4	463.6	571.5	6.12														
1		NPG-16-6	NP-16	2-1	6	18	15 1/4	19 1/2	4 5/8	2 5/16	2 1/2	3 3/4	4 1/8	1 3/8	9/16	13/16	1 9/16	1/4	3/8	12.4	NPG 14 TO 16-6 DZW	
		152.4			457.2	387.4	495.3	117.5												58.7		63.5
		NPG-16-9	NP-16	2-1	9	21	18 1/4	22 1/2	117.5	58.7	63.5	95.3	104.8	34.9	14.3	20.6	39.7	6.4	3/8	13.5	NPG 14 TO 16-9 DZW	
		228.6			533.4	463.6	571.5	6.12														
	25	NPG-205-6	NP-205	5205	6	18	15 1/4	19 1/2	4 5/8	2 5/16	2 1/2	3 3/4	4 1/8	1 3/8	9/16	13/16	1 9/16	1/4	3/8	12.4	NPG 14 TO 16-6 DZW	
		152.4			457.2	387.4	495.3	117.5												58.7		63.5
		NPG-205-9	NP-205	5205	9	21	18 1/4	22 1/2	117.5	58.7	63.5	95.3	104.8	34.9	14.3	20.6	39.7	6.4	3/8	13.5	NPG 14 TO 16-9 DZW	
		228.6			533.4	463.6	571.5	6.12														
1 1/8		NPG-18-6	NP-18	2-12	6	19	16 1/4	20 1/2	5 1/8	2 5/16	2 1/2	3 3/4	4 3/8	1 11/16	5/8	7/8	1 3/4	1/4	3/8	16.1	NPG 17 TO 19-6 DZW	
		152.4			482.6	412.8	520.7	130.2												58.7		63.5
		NPG-18-9	NP-18	2-12	9	22	19 1/4	23 1/2	130.2	58.7	63.5	95.3	111.1	42.9	15.9	22.2	44.5	6.4	3/8	17.1	NPG 17 TO 19-9 DZW	
		228.6			558.8	489.0	596.9	7.76														
1 3/16		NPG-19-6	NP-19	2-13	6	19	16 1/4	20 1/2	5 1/8	2 5/16	2 1/2	3 3/4	4 3/8	1 11/16	5/8	7/8	1 3/4	1/4	3/8	16.1	NPG 17 TO 19-6 DZW	
		152.4			482.6	412.8	520.7	130.2												58.7		63.5
		NPG-19-9	NP-19	2-13	9	22	19 1/4	23 1/2	130.2	58.7	63.5	95.3	111.1	42.9	15.9	22.2	44.5	6.4	3/8	17.1	NPG 17 TO 19-9 DZW	
		228.6			558.8	489.0	596.9	7.76														
	30	NPG-206-6	NP-206	5206	6	19	16 1/4	20 1/2	5 1/8	2 5/16	2 1/2	3 3/4	4 3/8	1 11/16	5/8	7/8	1 3/4	1/4	3/8	16.1	NPG 17 TO 19-6 DZW	
		152.4			482.6	412.8	520.7	130.2												58.7		63.5
		NPG-206-9	NP-206	5206	9	22	19 1/4	23 1/2	130.2	58.7	63.5	95.3	111.1	42.9	15.9	22.2	44.5	6.4	3/8	17.1	NPG 17 TO 19-9 DZW	
		228.6			558.8	489.0	596.9	7.76														
1 1/4		NPG-20-9	NP-20	2-14	9	22 1/4	19 1/2	23 3/4	5 1/4	2 5/16	2 1/2	3 3/4	4 9/16	1 7/8	11/16	1	1 3/4	1/4	3/8	17.7	NPG 20 TO 23-9 DZW	
		228.6			565.2	495.3	603.3	133.4												58.7		63.5
		NPG-20-12	NP-20	2-14	12	25 1/4	22 1/2	26 3/4	133.4	58.7	63.5	95.3	115.9	47.6	17.5	25.4	44.5	6.4	3/8	19.1	NPG 20 TO 23-12 DZW	
		304.8			641.4	571.5	679.5	8.66														
1 3/8		NPG-22-9	NP-22	2-16	9	22 1/4	19 1/2	23 3/4	5 1/4	2 5/16	2 1/2	3 3/4	4 9/16	1 7/8	11/16	1	1 3/4	1/4	3/8	17.7	NPG 20 TO 23-9 DZW	
		228.6			565.2	495.3	603.3	133.4												58.7		63.5
		NPG-22-12	NP-22	2-16	12	25 1/4	22 1/2	26 3/4	133.4	58.7	63.5	95.3	115.9	47.6	17.5	25.4	44.5	6.4	3/8	19.1	NPG 20 TO 23-12 DZW	
		304.8			641.4	571.5	679.5	8.66														
1 7/16		NPG-23-9	NP-23	2-17	9	22 1/4	19 1/2	23 3/4	5 1/4	2 5/16	2 1/2	3 3/4	4 9/16	1 7/8	11/16	1	1 3/4	1/4	3/8	17.7	NPG 20 TO 23-9 DZW	
		228.6			565.2	495.3	603.3	133.4												58.7		63.5
		NPG-23-12	NP-23	2-17	12	25 1/4	22 1/2	26 3/4	133.4	58.7	63.5	95.3	115.9	47.6	17.5	25.4	44.5	6.4	3/8	19.1	NPG 20 TO 23-12 DZW	
		304.8			641.4	571.5	679.5	8.66														
	35	NPG-207-9	NP-207	5207	9	22 1/4	19 1/2	23 3/4	5 1/4	2 5/16	2 1/2	3 3/4	4 9/16	1 7/8	11/16	1	1 3/4	1/4	3/8	17.7	NPG 20 TO 23-9 DZW	
		228.6			565.2	495.3	603.3	133.4												58.7		63.5
		NPG-207-12	NP-207	5207	12	25 1/4	22 1/2	26 3/4	133.4	58.7	63.5	95.3	115.9	47.6	17.5	25.4	44.5	6.4	3/8	19.1	NPG 20 TO 23-12 DZW	
		304.8			641.4	571.5	679.5	8.66														
1 1/2		NPG-24-12	NP-24	2-18	12	26	23 1/4	27 1/2	5 5/8	2 5/16	2 1/2	3 3/4	4 5/8	2	3/4	1 3/16	2 1/16	1/4	3/8	25.6	NPG 24 TO 28-12 DZW	
		304.8			660.4	590.6	698.5	142.9												58.7		63.5
		NPG-24-18	NP-24	2-18	18	32	29 1/4	33 1/2	142.9	58.7	63.5	95.3	117.5	50.8	19.1	30.2	52.4	6.4	3/8	27.6	NPG 24 TO 28-18 DZW	
		457.2			812.8	743.0	850.9	12.52														

SEALMASTER®

Performance Mounted Ball Bearings



- Duty:** Standard
- Rolling Elements:** Ball
- Housing:** Cast Iron Top Mount Take Up Frame & Pillow Block Housing
- Self Alignment:** +/- 2 Degrees
- Lock:** Setscrew
- Optional Lock:** SKWEZLOC Locking Collar
- Seal:** Felt
- Optional Seal:** Contact
- Temperature:** -20° to 220°F



NPG and SPG Series Style "G" Protected Screw Take Ups – Setscrew Locking

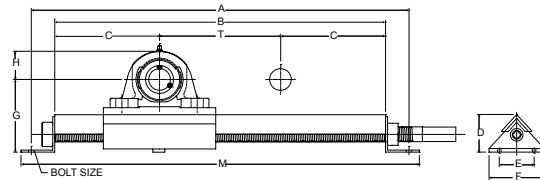
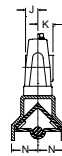
Bore Diameter		Part No.	Housing Assembly Included	Bearing Insert No.	Dimensions inch / mm															Bolt Size	Unit Wt. lb/kg	Frame Only Part No.
inch	mm				T Travel	A	B	M	C	D	E	F	G	H	J	K	N	O				
1 9/16		NPS-25-12	NP-25	2-19	12	26	23 1/4	27 1/2	5 5/8	2 5/16	2 1/2	3 3/4	4 5/8	2	3/4	1 3/16	2 1/16	1/4	3/8	25.6	NPG 24 TO 28-12 DZW	
		304.8			660.4	590.6	698.5	63.5												58.7		63.5
		NPS-25-18			18	32	29 1/4	33 1/2	142.9	58.7	63.5	95.3	117.5	50.8	19.1	30.2	52.4	6.4	3/8	27.6	NPG 24 TO 28-18 DZW	
					457.2	812.8	743.0	850.9												12.52		
40		NPG-208-12	NP-208	5208	12	26	23 1/4	27 1/2	5 5/8	2 5/16	2 1/2	3 3/4	4 5/8	2	3/4	1 3/16	2 1/16	1/4	3/8	25.6	NPG 24 TO 28-12 DZW	
		304.8			660.4	590.6	698.5	63.5												58.7		63.5
		NPG-208-18			18	32	29 1/4	33 1/2	142.9	58.7	63.5	95.3	117.5	50.8	19.1	30.2	52.4	6.4	3/8	27.6	NPG 24 TO 28-18 DZW	
					457.2	812.8	743.0	850.9												12.52		
1 5/8		NPG-26-12	NP-26	2-110	12	26	23 1/4	27 1/2	5 5/8	2 5/16	2 1/2	3 3/4	4 13/16	2 1/8	3/4	1 3/16	2 1/16	1/4	3/8	24.9	NPG 24 TO 28-12 DZW	
		304.8			660.4	590.6	698.5	63.5												58.7		63.5
		NPG-26-18			18	32	29 1/4	33 1/2	142.9	58.7	63.5	95.3	122.2	54.0	19.1	30.2	52.4	6.4	3/8	28.7	NPG 24 TO 28-18 DZW	
					457.2	812.8	743.0	850.9												13.02		
1 11/16		NPG-27-12	NP-27	2-111	12	26	23 1/4	27 1/2	5 5/8	2 5/16	2 1/2	3 3/4	4 13/16	2 1/8	3/4	1 3/16	2 1/16	1/4	3/8	24.9	NPG 24 TO 28-12 DZW	
		304.8			660.4	590.6	698.5	63.5												58.7		63.5
		NPG-27-18			18	32	29 1/4	33 1/2	142.9	58.7	63.5	95.3	122.2	54.0	19.1	30.2	52.4	6.4	3/8	28.7	NPG 24 TO 28-18 DZW	
					457.2	812.8	743.0	850.9												13.02		
1 3/4		NPG-28-12	NP-28	2-112	12	26	23 1/4	27 1/2	5 5/8	2 5/16	2 1/2	3 3/4	4 13/16	2 1/8	3/4	1 3/16	2 1/16	1/4	3/8	24.9	NPG 24 TO 28-12 DZW	
		304.8			660.4	590.6	698.5	63.5												58.7		63.5
		NPG-28-18			18	32	29 1/4	33 1/2	142.9	58.7	63.5	95.3	122.2	54.0	19.1	30.2	52.4	6.4	3/8	28.7	NPG 24 TO 28-18 DZW	
					457.2	812.8	743.0	850.9												13.02		
45		NPG-209-12	NP-209	5209	12	26	23 1/4	27 1/2	5 5/8	2 5/16	2 1/2	3 3/4	4 13/16	2 1/8	3/4	1 3/16	2 1/16	1/4	3/8	24.9	NPG 24 TO 28-12 DZW	
		304.8			660.4	590.6	698.5	63.5												58.7		63.5
		NPG-209-18			18	32	29 1/4	33 1/2	142.9	58.7	63.5	95.3	122.2	54.0	19.1	30.2	52.4	6.4	3/8	28.7	NPG 24 TO 28-18 DZW	
					457.2	812.8	743.0	850.9												13.02		
1 7/8		NPG-30-12	NP-30	2-114	12	26 3/4	24	28 1/4	6	2 5/16	2 1/2	3 3/4	4 15/16	2 5/16	3/4	1 9/32	2 1/16	1/4	1/2	27.6	NPG 30 TO 31-12 DZW	
		304.8			679.5	609.6	717.6	152.4												58.7		63.5
		NPG-30-18			18	32 3/4	30	34 1/4	152.4	58.7	63.5	95.3	125.4	58.7	19.1	32.5	52.4	6.4	1/2	30.4	NPG 30 TO 31-18 DZW	
					457.2	831.9	762.0	870.0												13.79		
1 15/16		NPG-31-12	NP-31	2-115	12	26 3/4	24	28 1/4	6	2 5/16	2 1/2	3 3/4	4 15/16	2 5/16	3/4	1 9/32	2 1/16	1/4	1/2	27.6	NPG 30 TO 31-12 DZW	
		304.8			679.5	609.6	717.6	152.4												58.7		63.5
		NPG-31-18			18	32 3/4	30	34 1/4	152.4	58.7	63.5	95.3	125.4	58.7	19.1	32.5	52.4	6.4	1/2	30.4	NPG 30 TO 31-18 DZW	
					457.2	831.9	762.0	870.0												13.79		
50		NPG-210-12	NP-210	5210	12	26 3/4	24	28 1/4	6	2 5/16	2 1/2	3 3/4	4 15/16	2 5/16	3/4	1 9/32	2 1/16	1/4	1/2	27.6	NPG 30 TO 31-12 DZW	
		304.8			679.5	609.6	717.6	152.4												58.7		63.5
		NPG-210-18			18	32 3/4	30	34 1/4	152.4	58.7	63.5	95.3	125.4	58.7	19.1	32.5	52.4	6.4	1/2	30.4	NPG 30 TO 31-18 DZW	
					457.2	831.9	762.0	870.0												13.79		
2		NPG-32-12	NP-32	2-2	12	27 1/4	24 1/2	29	6 1/4	2 11/16	3	4 3/4	5 9/16	2 1/2	7/8	1 5/16	2 7/16	5/16	1/2	36.6	NPG 32 TO 35-12 DZW	
		304.8			692.2	622.3	736.6	158.8												68.3		76.2
		NPG-32-18			18	33 1/4	30 1/2	35	158.8	68.3	76.2	120.7	141.3	63.5	22.2	33.3	61.9	7.9	1/2	40.1	NPG 32 TO 35-18 DZW	
					457.2	844.6	774.7	889.0												18.19		
2 1/8		NPG-34-12	NP-34	2-22	12	27 1/4	24 1/2	29	6 1/4	2 11/16	3	4 3/4	5 9/16	2 1/2	7/8	1 5/16	2 7/16	5/16	1/2	36.6	NPG 32 TO 35-12 DZW	
		304.8			692.2	622.3	736.6	158.8												68.3		76.2
		NPG-34-18			18	33 1/4	30 1/2	35	158.8	68.3	76.2	120.7	141.3	63.5	22.2	33.3	61.9	7.9	1/2	40.1	NPG 32 TO 35-18 DZW	
					457.2	844.6	774.7	889.0												18.19		
55		NPG-211-12	NP-211	5211	12	27 1/4	24 1/2	29	6 1/4	2 11/16	3	4 3/4	5 9/16	2 1/2	7/8	1 5/16	2 7/16	5/16	1/2	36.6	NPG 32 TO 35-12 DZW	
		304.8			692.2	622.3	736.6	158.8												68.3		76.2
		NPG-211-18			18	33 1/4	30 1/2	35	158.8	68.3	76.2	120.7	141.3	63.5	22.2	33.3	61.9	7.9	1/2	40.1	NPG 32 TO 35-18 DZW	
					457.2	844.6	774.7	889.0												18.19		

Performance Mounted Ball Bearings **SEALMASTER**®

Mtd. Ball Bearings



- Duty:** Standard
- Rolling Elements:** Ball
- Housing:** Cast Iron Top Mount Take Up Frame & Pillow Block Housing
- Self Alignment:** +/- 2 Degrees
- Lock:** Setscrew
- Optional Lock:** SKWEZLOC Locking Collar
- Seal:** Felt
- Optional Seal:** Contact
- Temperature:** -20° to 220°F



NPG and SPG Series “G” Protected Screw Take Ups – Setscrew Locking

Bore Diameter		Part No.	Housing Assembly Included	Bearing Insert No.	Dimensions inch / mm																Bolt Size	Unit Wt. lb/kg	Frame Only Part No.							
inch	mm				T Travel	A	B	M	C	D	E	F	G	H	J	K	N	O												
2 3/16		NPG-35-12	NP-35	2-23	12	27 1/4	24 1/2	29	6 1/4	2 11/16	3	4 3/4	5 9/16	2 1/2	7/8	1 5/16	2 7/16	5/16	1/2	36.6	NPG 32 TO 35-12 DZW									
		304.8			692.2	622.3	736.6	158.8												68.3		76.2	120.7	141.3	63.5	22.2	33.3	61.9	7.9	16.60
		18			33 1/4	30 1/2	35	457.2												844.6		774.7	889.0							
																			18.19											
2 1/4		SPG-36-12	SP-36	2-24	12	30	27 1/4	31 1/4	7 5/8	2 11/16	3	4 3/4	6 3/16	2 15/16	1	1 9/16	2 7/16	5/16	5/8	48.9	SPG 36 TO 39-12 DZW									
		304.8			762.0	692.2	793.8	193.7												68.3		76.2	120.7	157.2	74.6	25.4	39.7	61.9	7.9	22.18
		18			36	33 1/4	37 3/4	457.2												914.4		844.6	958.9							
																			23.63											
2 3/8		SPG-38-12	SP-38	2-26	12	30	27 1/4	31 1/4	7 5/8	2 11/16	3	4 3/4	6 3/16	2 15/16	1	1 9/16	2 7/16	5/16	5/8	48.9	SPG 36 TO 39-12 DZW									
		304.8			762.0	692.2	793.8	193.7												68.3		76.2	120.7	157.2	74.6	25.4	39.7	61.9	7.9	22.18
		18			36	33 1/4	37 3/4	457.2												914.4		844.6	958.9							
																			23.63											
2 7/16		SPG-39-12	SP-39	2-27	12	30	27 1/4	31 1/4	7 5/8	2 11/16	3	4 3/4	6 3/16	2 15/16	1	1 9/16	2 7/16	5/16	5/8	48.9	SPG 36 TO 39-12 DZW									
		304.8			762.0	692.2	793.8	193.7												68.3		76.2	120.7	157.2	74.6	25.4	39.7	61.9	7.9	22.18
		18			36	33 1/4	37 3/4	457.2												914.4		844.6	958.9							
																			23.63											
60		SPG-212-12	SP-212	5212	12	30	27 1/4	31 1/4	7 5/8	2 11/16	3	4 3/4	6 3/16	2 15/16	1	1 9/16	2 7/16	5/16	5/8	48.9	SPG 36 TO 39-12 DZW									
		304.8			762.0	692.2	793.8	193.7												68.3		76.2	120.7	157.2	74.6	25.4	39.7	61.9	7.9	22.18
		18			36	33 1/4	37 3/4	457.2												914.4		844.6	958.9							
																			23.63											
2 1/2		SPG-40-12	SP-40	3-28	12	31 1/2	28 3/4	33 1/2	8 3/8	3 1/4	3	5	7 1/2	3 3/8	1 1/16	1 11/16	2 13/16	3/8	5/8	67.2	SPG 40 TO 47-12 DZW									
		304.8			800.1	730.3	850.9	212.7												82.6		76.2	127.0	190.5	85.7	27.0	42.9	71.4	9.5	30.48
		18			37 1/2	34 3/4	39 1/2	457.2												952.5		882.7	1003.3							
																			31.39											
2 11/16		SPG-43-12	SP-43	2-211	12	31 1/2	28 3/4	33 1/2	8 3/8	3 1/4	3	5	7 1/2	3 3/8	1 1/16	1 11/16	2 13/16	3/8	5/8	67.2	SPG 40 TO 47-12 DZW									
		304.8			800.1	730.3	850.9	212.7												82.6		76.2	127.0	190.5	85.7	27.0	42.9	71.4	9.5	30.48
		18			37 1/2	34 3/4	39 1/2	457.2												952.5		882.7	1003.3							
																			31.39											
70		SPG-214-12	SP-214	5214	12	31 1/2	28 3/4	33 1/2	8 3/8	3 1/4	3	5	7 1/2	3 3/8	1 1/16	1 11/16	2 13/16	3/8	5/8	67.2	SPG 40 TO 47-12 DZW									
		304.8			800.1	730.3	850.9	212.7												82.6		76.2	127.0	190.5	85.7	27.0	42.9	71.4	9.5	30.48
		18			37 1/2	34 3/4	39 1/2	457.2												952.5		882.7	1003.3							
																			31.39											
2 7/8		SPG-46-12	SP-46	2-214	12	31 1/2	28 3/4	33 1/2	8 3/8	3 1/4	3	5	7 1/2	3 7/16	1 5/16	1 3/4	2 13/16	3/8	5/8	67.6	SPG 40 TO 47-12 DZW									
		304.8			800.1	730.3	850.9	212.7												82.6		76.2	127.0	190.5	87.3	33.3	44.5	71.4	9.5	30.66
		18			37 1/2	34 3/4	39 1/2	457.2												952.5		882.7	1003.3							
																			31.66											
2 15/16		SPG-47-12	SP-47	2-215	12	31 1/2	28 3/4	33 1/2	8 3/8	3 1/4	3	5	7 1/2	3 7/16	1 5/16	1 3/4	2 13/16	3/8	5/8	67.6	SPG 40 TO 47-12 DZW									
		304.8			800.1	730.3	850.9	212.7												82.6		76.2	127.0	190.5	87.3	33.3	44.5	71.4	9.5	30.66
		18			37 1/2	34 3/4	39 1/2	457.2												952.5		882.7	1003.3							
																			31.66											
75		SPG-215-12	SP-215	5215	12	31 1/2	28 3/4	33 1/2	8 3/8	3 1/4	3	5	7 1/2	3 7/16	1 5/16	1 3/4	2 13/16	3/8	5/8	67.6	SPG 40 TO 47-12 DZW									
		304.8			800.1	730.3	850.9	212.7												82.6		76.2	127.0	190.5	87.3	33.3	44.5	71.4	9.5	30.66
		18			37 1/2	34 3/4	39 1/2	457.2												952.5		882.7	1003.3							
																			31.66											

Series NPG and SPG are top mounted protected screw take-up units incorporating standard duty pillow blocks, as indicated in the accompanying charts. They are used where shaft adjustment and/or belt tightening is required in conveyor applications. They are manufactured from heavy gauge structural steel and equipped with heavy duty Acme (square) threads for positive action. Adjustment is made by turning the square head screw with an open end wrench.

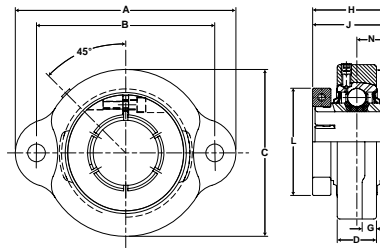
Part numbers shown include standard duty setscrew locking pillow block NP or SP as indicated.

For SKWEZLOC Locking Collar add T suffix example NPG-32T-18

For Contact Seal add C suffix example NPG-32C-18



Duty: Standard
Rolling Elements: Ball
Housing: Ductile Iron Two Bolt Flange
Self Alignment: +/- 2 Degrees
Lock: Concentric
Lock: SKWEZLOC Locking Collar
Seal: Felt
Optional Seal: Contact
Temperature: -20° to 220°F


Options
 - 1 Grease Fitting

 - 2 Adapter Fitting

TFT-T Series Standard Duty Two-Bolt Flange Units - SKWEZLOC Locking Collar

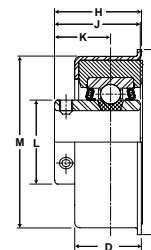
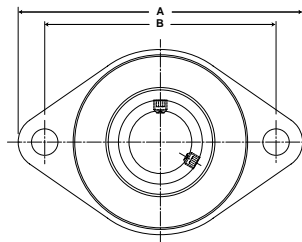
Bore Diameter inch	Part No.			Part No.	Basic Dynamic Rating lb/N	Dimensions inch / mm								Bolt Size	Unit Wt. lb/kg
	Standard With Plug	With Grease Fitting	With Adapter Fitting			A	B	C	D	H	K	L	N		
15/16	TFT-15TC	TFT-15TC-1	TFT-15TC-2	2-015TC	2801	3 3/4	3	2 3/4	11/16	1 1/2	1 7/16	1 15/16	9/16	3/8	1.6
1	TFT-16TC	TFT-16TC-1	TFT-16TC-2	2-1TC	12459	95.3	76.2	69.9	17.5	38.1	36.5	49.2	14.3		0.73
1 1/8	TFT-18TC	TFT-18TC-1	TFT-18TC-2	2-12TC	4381 19487	4 7/16 112.7	3 9/16 90.5	3 1/4 82.6	13/16 20.6	1 5/8 41.3	1 9/16 39.7	2 3/16 55.6	5/8 15.9	3/8	2.3 1.04
1 1/5	TFT-19TC	TFT-19TC-1	TFT-19TC-2	2-13TC											
1 1/4	TFT-20RT*	TFT-20RT*	TFT-20RT*	1-14T											
1 1/4	TFT-20TC	TFT-20TC-1	TFT-20TC-2	2-14TC	5782	4 7/8	3 15/16	3 11/16	7/8	1 13/16	1 3/4	2 7/16	11/16	3/8	3
					25718	123.8	100.0	93.7	22.2	46.0	44.5	61.9	17.5		1.36
1 3/8	TFT-22TC	TFT-22TC-1	TFT-22TC-2	2-16TC	5782	4 7/8	3 15/16	3 11/16	7/8	1 13/16	1 3/4	2 9/16	11/16	3/8	3
1 7/16	TFT-23TC	TFT-23TC-1	TFT-23TC-2	2-17TC	25718	123.8	100.0	93.7	22.2	46.0	44.5	65.1	17.5		1.36

*1 1/4 Reduced not available with contact seal, felt only.

Performance Mounted Ball Bearings **SEALMASTER**®



- Duty:** Light
- Rolling Elements:** Ball
- Housing:** Stamped Steel Rubber Mounted Flange
- Lock:** Setscrew
- Seal:** Felt
- Optional Seal:** Contact
- Temperature:** -20° to 220°F
- Relube:** No



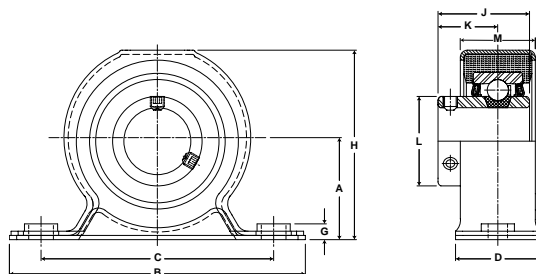
SRF Series Light Duty Rubber Mounted Flange Blocks - Setscrew Locking

Bore Diameter inch	Part No.	Bearing Insert No.	Max. Steady Radial Loads lb/N	Dimensions inch / mm								Bolt Size	Unit Wt. lb/kg	
				A	B	D	H	J	K	M	T			
1/2	SRF-8	SRC-8	400 1779	4 1/2	3 5/8	1 3/32	1 3/8	1 9/32	7/8	2 41/64	2 45/64	7/16	3/8	.75
5/8	SRF-10	SRC-10		114.3	92.1	27.8	34.9	32.5	22.2	67.1	68.7	11.1		.34
3/4	SRF-12	SRC-12												
7/8	SRF-14	SRC-14	400 1779	4 1/2	3 5/8	1 3/32	1 3/8	1 3/8	7/8	2 41/64	2 45/64	7/16	3/8	.85
15/16	SRF-15	SRC-15		114.3	92.1	27.8	34.9	34.9	22.2	67.1	68.7	11.1		.39
1	SRF-16	SRC-16												
1 1/8	SRF-18	SRC-18	600 2669	5 3/8	4 3/8	1 1/4	1 21/32	1 5/8	1 1/16	3 1/4	3 1/2	1/2	7/16	1.50
1 3/16	SRF-19	SRC-19		136.5	111.1	31.8	42.1	41.3	27.0	82.6	88.9	12.7		.68
1 1/4	SRF-20R	SRC-20R												

Maximum steady radial load is based upon the housing strength and materials composition. Thrust load ratings 40% of radial loads..



- Duty:** Light
- Rolling Elements:** Ball
- Housing:** Stamped Steel Rubber Mounted Pillow Block
- Lock:** Setscrew
- Seal:** Felt
- Optional Seal:** Contact
- Temperature:** -20° to 220°F
- Relube:** No



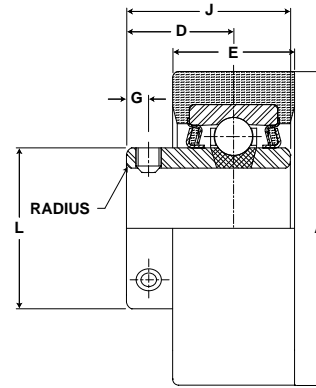
SRP Series Light Duty Rubber Mounted Pillow Blocks - Setscrew Locking

Bore Diameter inch	Part No.	Bearing Insert No.	Max. Steady Radial Loads lb/N	Dimensions inch / mm									Hole Size	Bolt Size	Unit Wt. lb/kg
				A	B	C	D	G	H	J	K	M			
1/2	SRP-8	SRC-8													
5/8	SRP-10	SRC-10	200 890	1 1/2 38.1	4 3/4 120.7	3 5/8 92.1	1 5/16 33.3	11/64 4.4	2 13/16 71.4	1 9/32 32.5	7/8 22.2	1 1/8 28.6	7/16 11.1	3/8	.85 .39
3/4	SRP-12	SRC-12													
7/8	SRP-14	SRC-14													
15/16	SRP-15	SRC-15	200 890	1 1/2 38.1	4 3/4 120.7	3 5/8 92.1	1 5/16 33.3	11/64 4.4	2 13/16 71.4	1 3/8 34.9	7/8 22.2	1 1/8 28.6	7/16 11.1	3/8	1 .45
1	SRP-16	SRC-16													
1 1/8	SRP-18	SRC-18													
1 3/16	SRP-19	SRC-19	300 1334	1 3/4 44.5	5 1/4 133.4	4 1/8 104.8	1 1/2 38.1	7/32 5.6	3 3/8 85.7	1 5/8 41.3	1 1/16 27.0	1 11/32 34.1	7/16 11.1	3/8	1.6 .73
1 1/4	SRP-20R	SRC-20R													

Maximum steady radial load is based upon the housing strength and materials composition. Thrust load rating 40% of radial loads.



- Duty:** Light
- Rolling Elements:** Ball
- Housing:** Rubber Mounted Insert
- Lock:** Setscrew
- Seal:** Felt
- Optional Seal:** Contact
- Temperature:** -20° to 220°F
- Relube:** No



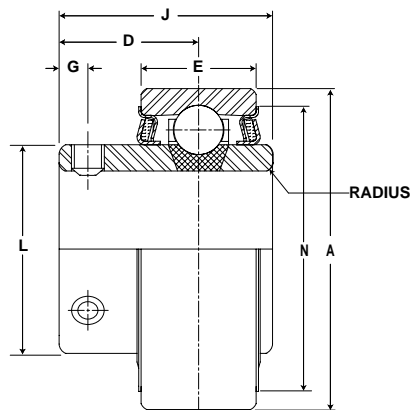
SRC Series Light Duty Rubber Mounted Cartridge Units - Setscrew Locking

Bore Diameter inch	Part No.	Bearing Insert No.	Max. Steady Radial Loads lb/N	Dimensions inch / mm						Unit Wt. lb/kg
				A	D	E	G	L	J	
1/2	SRC-8	RB-8								
5/8	SRC-10	RB-10	200 890	2 17/32 64.3	7/8 22.2	1 25.4	3/16 4.8	1 3/16 30.2	1 9/32 32.5	.60 .27
3/4	SRC-12	RB-12								
7/8	SRC-14	RB-14								
15/16	SRC-15	RB-15	200 890	2 17/32 64.3	7/8 22.2	1 25.4	3/16 4.8	1 3/8 34.9	1 3/8 34.9	.65 .29
1	SRC-16	RB-16								
1 1/8	SRC-18	RB-18								
1 3/16	SRC-19	RB-19	300 1334	3 3/32 78.6	1 1/16 27.0	1 13/64 30.6	7/32 5.6	1 19/32 40.5	1 5/8 41.3	1.00 .45
1 1/4	SRC-20R	RB-20R								

Maximum steady radial load is based upon the housing strength and materials composition. Thrust load ratings 40% of radial loads.



Duty: Light
Rolling Elements: Ball
Lock: Setscrew
Seal: Felt
Optional Seal: Contact
Temperature: -20° to 220°F
Relube: No

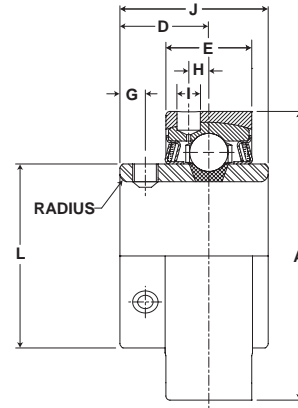


RB Series Bearing Assemblies

Bore Diameter inch	Part No.	Basic Dynamic Rating lb/N	Dimensions inch / mm							Max. Rad. to Clear	Setscrew Thread	Unit Wt. lb/kg
			A	D	E	G	J	L	N			
1/2	RB-8											
5/8	RB-10	2611 11614	1.850 47.00	7/8 22.2	5/8 15.9	3/16 4.8	1 9/32 32.5	1 3/16 30.2	1 5/8 41.3	.040 1.02	1/4-28	.50 .23
3/4	RB-12											
7/8	RB-14											
15/16	RB-15	2801 12459	2.047 52.00	7/8 22.2	3/4 19.1	3/16 4.8	1 3/8 34.9	1 3/8 34.9	1 55/64 47.2	.040 1.02	1/4-28	.60 .27
1	RB-16											
1 1/8	RB-18											
1 3/16	RB-19	4381 19487	2.441 62.00	1 1/16 27.0	7/8 22.2	7/32 5.6	1 5/8 41.3	1 9/32 32.5	1 19/32 40.5	.040 1.02	1/4-28	.90 .41
1 1/4	RB-20R											



- Duty:** Standard
- Rolling Elements:** Ball
- Self Alignment:** +/- 2 Degrees
- Lock:** Setscrew
- Seal:** Felt
- Optional Seal:** Contact
- Temperature:** -20° to 220°F



AR Series Standard Duty Expansion Insert - Setscrew Locking

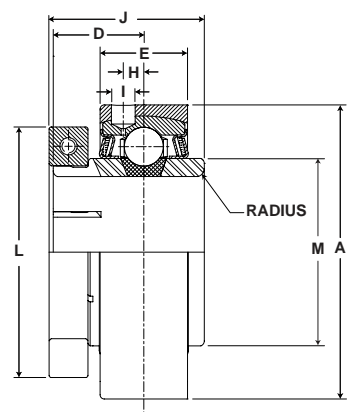
Bore Diameter		Part No.	Bearing Insert No.	Basic Dynamic Rating lb/N	Dimensions inch / mm								Max Rad. To Clear	Setscrew Thread	Unit Wt. lb/kg	
inch	mm				A	D	E	G	H	I	J	L				
						+0.000"										
						-0.005"										
1/2		AR-2-08	2-08													
9/16		AR-2-09	2-09													
5/8		AR-2-010	2-010	2611	2.062	23/32	49/64	3/16	1/8	1/4	1 7/32	1 3/16	.040	1/4-28	.8	
11/16		AR-2-011	2-011	11614	52.375	18.3	19.4	4.8	3.2	6.4	31.0	30.2	1.02		.36	
3/4	20	AR-2-012	2-012													
		AR-204	5204													
13/16		AR-2-013	2-013													
7/8		AR-2-014	2-014	2801	2.272	13/16	49/64	7/32	11/64	1/4	1 3/8	1 3/8	.040	1/4-28	1.0	
15/16		AR-2-015	2-015	12459	57.709	20.6	19.4	5.6	4.4	6.4	34.9	34.9	1.02		.45	
1	25	AR-2-1	2-1													
		AR-205	5205													
1 1/16		AR-2-11	2-11													
1 1/8		AR-2-12	2-12	4381	2.687	7/8	61/64	7/32	7/32	1/4	1 1/2	1 19/32	.040	1/4-28	1.5	
1 3/16		AR-2-13	2-13	19487	68.250	22.2	24.2	5.6	5.6	6.4	38.1	40.5	1.02		.68	
1 1/4	30	AR-1-14	1-14													
		AR-206	5206													
1 1/4		AR-2-14	2-14													
1 5/16		AR-2-15	2-15	5782	3.140	1	1 1/64	1/4	1/4	1/4	1 11/16	1 55/64	.040	5/16-24	2.1	
1 3/8		AR-2-16	2-16	25718	79.756	25.4	25.8	6.4	6.4	6.4	42.9	47.2	1.02		.95	
1 7/16	35	AR-2-17	2-17													
		AR-207	5207													
1 1/2		AR-2-18	2-18	7340	3.375	1 3/16	1 11/64	5/16	19/64	1/4	1 15/16	2 1/16	.062	5/16-24	2.8	
1 9/16	40	AR-2-19	2-19	32648	85.725	30.2	29.8	7.9	7.5	6.4	49.2	52.4	1.57		1.27	
		AR-208	5208													
1 5/8		AR-2-110	2-110													
1 11/16		AR-2-111	2-111	7901	3.562	1 3/16	1 11/64	5/16	19/64	1/4	1 15/16	2 19/64	.062	5/16-24	3	
1 3/4	45	AR-2-112	2-112	35144	90.475	30.2	29.8	7.9	7.5	6.4	49.2	58.3	1.57		1.36	
		AR-209	5209													
1 13/16		AR-2-113	2-113													
1 7/8		AR-2-114	2-114	7889	3.875	1 9/32	1 13/64	3/8	17/64	11/32	2 1/32	2 15/32	.062		3.5	
1 15/16		AR-2-115	2-115	35090	98.425	32.5	30.6	9.5	6.7	8.7	51.6	62.7	1.57	3/8-24	1.59	
2	50	AR-1-2	1-2													
		AR-210	5210													
2		AR-2-2	2-2													
2 1/8		AR-2-22	2-22	9752	4.250	1 5/16	1 17/64	3/8	19/64	11/32	2 3/16	2 23/32	.080	3/8-24	4.4	
2 3/16	55	AR-2-23	2-23	43377	107.950	33.3	32.1	9.5	7.5	8.7	55.6	69.1	2.03		2.00	
		AR-211	5211													
2 1/4		AR-2-24	2-24													
2 3/8		AR-2-26	2-26	11789	4.718	1 9/16	1 21/64	7/16	21/64	11/32	2 9/16	2 63/64	.080	3/8-24	5.8	
2 7/16	60	AR-2-27	2-27	52437	119.837	39.7	33.7	11.1	8.3	8.7	65.1	75.8	2.03		2.63	
		AR-212	5212													
2 11/16		AR-2-211	2-211	13971	5.170	1 11/16	1 29/64	7/16	3/8	11/32	2 3/4	3 7/16	.080	7/16-20	9.3	
	70	AR-214	5214	62143	131.318	42.9	36.9	11.1	9.5	8.7	69.9	87.3	2.03		4.22	
2 7/8		AR-2-214	2-214													
2 15/16	75	AR-2-215	2-215	14839	5.375	1 3/4	1 37/64	7/16	3/8	11/32	3 1/16	3 41/64	.080	7/16-20	9.6	
		AR-215	5215	66004	136.525	44.5	40.1	11.1	9.5	8.7	77.8	92.5	2.03		4.35	
3 3/16		AR-2-33	2-33	17412	5.875	1 15/16	1 53/64	17/32	13/32	15/32	3 1/4	3 59/64	.120	7/16-20	12.2	
3 150	80	AR-216	5216	77449	149.225	49.2	46.4	13.5	10.3	11.9	82.6	99.6	3.0		5.53	
3 1/4		AR-2-34	2-34													
3 3/8		AR-2-36	2-36	18681	6.280	2 1/32	2 5/64	15/32	17/32	15/32	3 3/8	4 5/32	.120	7/16-20	15.2	
3 7/16		AR-2-37	2-37	83093	159.512	51.6	52.8	11.9	13.5	11.9	85.7	105.6	3.05		6.89	
3 1/2	90	AR-2-38	2-38	21566	6.750	2 7/32	2 9/64	5/8	15/32	15/32	3 25/32	4 25/64	.120	1/2-20	18.5	
		AR-218	5218	95926	171.450	56.4	54.4	15.9	11.9	11.9	96.0	111.5	3.05		8.39	

SEALMASTER®

Performance Mounted Ball Bearings



- Duty:** Standard
- Rolling Elements:** Ball
- Self Alignment:** +/- 2 Degrees
- Lock:** SKWEZLOC Locking Collar
- Seal:** Felt
- Optional Seal:** Contact
- Temperature:** -20° to 220°F



AR-T Standard Duty Expansion Insert - SKWEZLOC Locking Collar - Inch

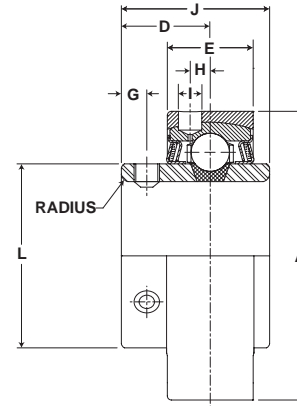
Bore Diameter inch	Part No.	Bearing Insert No.	Basic Dynamic Rating lb/N	Dimensions inch / mm									Max Rad. To Clear	Torx Cap Screw	Unit Wt. lb/kg
				A +.000" -.005"	D	E	H	I	J	L	M				
3/4	AR-2-012T	2-012T	2611	2.0620	25/32	49/64	9/64	1/4	1 9/32	1 3/4	1 3/16	.040	T-25	.9	
			11614	52.375	22.8	19.4	3.6	6.4	35.5	44.5	30.2	1.02		.41	
15/16 1	AR-2-015T AR-2-1T	2-015T 2-1T	2801	2.2720	7/8	49/64	11/64	1/4	1 7/16	1 15/16	1 3/8	.040	T-25	1.2	
			12459	57.709	22.2	19.4	4.4	6.4	36.5	49.2	34.9	1.02		.54	
1 1/8	AR-2-12T	2-12T	4381	2.6870	15/16	61/64	7/32	1/4	1 9/16	2 3/16	1 19/32	.040	T-25	1.7	
			19487	68.250	22.8	24.2	5.6	6.4	35.5	55.6	40.5	1.02		.77	
1 1/4	AR-2-14T	2-14T	5782	3.1400	1 1/16	1 1/64	1/4	1/4	1 3/4	2 7/16	1 55/64	.040	T-27	2.4	
			25718	79.756	27.0	25.8	6.4	6.4	44.5	61.9	47.2	1.02		1.09	
1 3/8 1 7/16	AR-2-16T AR-2-17T	2-16T 2-17T	5782	3.1400	1 1/16	1 1/64	1/4	1/4	1 3/4	2 9/16	1 55/64	.040	T-27	2.4	
			25718	79.756	27.0	25.8	6.4	6.4	44.5	65.1	47.2	1.02		1.09	
1 1/2	AR-2-18T	2-18T	7340	3.3750	1 1/4	1 11/64	19/64	1/4	2	2 11/16	2 1/16	.062	T-27	3.1	
			32648	85.725	31.8	29.8	7.5	6.4	50.8	68.3	52.4	1.57		1.41	
1 5/8	AR-2-110T	2-110T	7901	3.5620	1 1/4	1 11/64	19/64	1/4	2	2 13/16	2 19/64	.062	T-27	3.3	
			35144	90.475	31.8	29.8	7.5	6.4	50.8	71.4	58.3	1.57		1.50	
1 11/16 1 3/4	AR-2-111T AR-2-112T	2-111T 2-112T	7901	3.5620	1 1/4	1 11/64	19/64	1/4	2	2 15/16	2 19/64	.062	T-27	3.3	
			35144	90.475	31.8	29.8	7.5	6.4	50.8	74.6	58.3	1.57		1.50	
1 15/16	AR-2-115T	2-115T	7889	3.8750	1 11/32	1 13/64	17/64	11/32	2 3/32	3 3/8	2 15/32	.062	T-30	4.1	
			35090	98.425	34.1	30.6	6.7	8.7	53.2	85.7	62.7	1.57		1.86	
2	AR-2-2T	2-2T	9752	4.2500	1 3/8	1 17/64	19/64	11/32	2 1/4	3 1/2	2 23/32	.080	T-30	5.0	
			43377	107.950	34.9	32.1	7.5	8.7	57.2	88.9	69.1	2.03		2.27	
2 3/16	AR-2-23T AR-211TMC	2-23T 5211TMC	9752	4.2500	1 3/8	1 17/64	19/64	11/32	2 1/4	3 5/8	2 23/32	.080	T-30	5.0	
			43377	107.950	34.9	32.1	7.5	8.7	57.2	92.1	69.1	2.03		2.27	
2 1/4	AR-2-24T	2-24T	11789	4.7190	1 5/8	1 21/64	21/64	11/32	2 5/8	4 1/16	2 63/64	.080	T-45	7.0	
			52437	119.863	41.3	33.7	8.3	8.7	66.7	103.2	75.8	2.03		3.18	
2 3/8 2 7/16	AR-2-26T AR-2-27T	2-26T 2-27T	11789	4.7190	1 5/8	1 21/64	21/64	11/32	2 5/8	4 1/8	2 63/64	.080	T-45	7.0	
			52437	119.863	41.3	33.7	8.3	8.7	66.7	104.8	75.8	2.03		3.18	

AR-T Standard Duty Expansion Insert - Metric - SKWEZ™

Bore Diameter mm	Part No.	Bearing Insert No.	Basic Dynamic Rating lb/N	Dimensions mm / inch									Max Rad. To Clear	Torx Cap Screw	Unit Wt. kg/lb
				A +.000mm -.125mm	D	E	H	I	J	L	M				
20	AR-204TMC	5204TMC	11614	52.375	22.8	19.4	3.6	6.4	35.5	44.5	30.2	1.02	T-25	.41	
			2611	2.0620	25/32	49/64	9/64	1/4	1 9/32	1 3/4	1 3/16	.040		.9	
25	AR-205TMC	5205TMC	12459	57.709	22.2	19.4	4.4	6.4	36.5	49.2	34.9	1.02	T-25	.54	
			2801	2.2720	7/8	49/64	11/64	1/4	1 7/16	1 15/16	1 3/8	.040		1.2	
30	AR-206TMC	5206TMC	19487	68.250	22.8	24.2	5.6	6.4	35.5	55.6	40.5	1.02	T-25	.77	
			4381	2.6870	15/16	61/64	7/32	1/4	1 9/16	2 3/16	1 19/32	.040		1.7	
35	AR-207TMC	5207TMC	25718	79.756	27.0	25.8	6.4	6.4	44.5	65.1	47.2	1.02	T-27	1.09	
			5782	3.1400	1 1/16	1 1/64	1/4	1/4	1 3/4	2 9/16	1 55/64	.040		2.4	
40	AR-208TMC	5208TMC	32648	85.725	31.8	29.8	7.5	6.4	50.8	68.3	52.4	1.57	T-27	1.41	
			7340	3.3750	1 1/4	1 11/64	19/64	1/4	2	2 11/16	2 1/16	.062		3.1	
45	AR-209TMC	5209TMC	35144	90.475	31.8	29.8	7.5	6.4	50.8	74.6	58.3	1.57	T-27	1.50	
			7901	3.5620	1 1/4	1 11/64	19/64	1/4	2	2 15/16	2 19/64	.062		3.3	
50	AR-210TMC	5210TMC	35090	98.425	34.1	30.6	6.7	8.7	53.2	85.7	62.7	1.57	T-30	1.86	
			7889	3.8750	1 11/32	1 13/64	17/64	11/32	2 3/32	3 3/8	2 15/32	.062		4.1	
55	AR-211TMC	5211TMC	43377	107.950	34.9	32.1	7.5	8.7	57.2	92.1	69.1	2.03	T-30	2.27	
			9752	4.2500	1 3/8	1 17/64	19/64	11/32	2 1/4	3 5/8	2 23/32	.080		5.0	
60	AR-212TMC	5212TMC	52437	119.863	41.3	33.7	8.3	8.7	66.7	104.8	75.8	2.03	T-45	3.18	
			11789	4.7190	1 5/8	1 21/64	21/64	11/32	2 5/8	4 1/8	2 63/64	.080		7.0	



- Duty:** Medium
- Rolling Elements:** Ball
- Self Alignment:** +/- 2 Degrees
- Lock:** Setscrew
- Seal:** Felt
- Optional Seal:** Contact
- Temperature:** -20° to 220°F

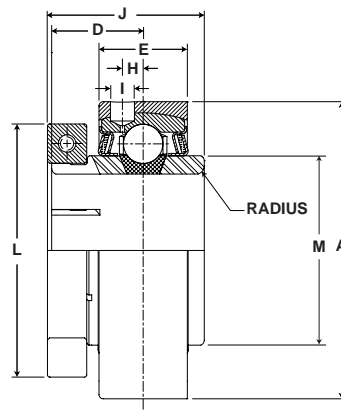


AR Series Medium Duty Expansion Insert - Setscrew Locking

Bore Diameter		Part No.	Bearing Insert No.	Basic Dynamic Rating lb/N	Dimensions inch / mm								Max Rad. To Clear	Setscrew Thread	Unit Wt. lb/kg
					A	D	E	G	H	I	J	L			
inch	mm				+ .000" - .005"										
15/16 1	25	AR-3-015	3-015	4381	2.687	7/8	61/64	7/32	7/32	1/4	1 1/2	1 19/32	.040	1/4-28	1.5
		AR-3-1	3-1	19487	68.250	22.2	24.2	5.6	5.6	6.4	38.1	40.5	1.02		.68
		AR-305	5305												
1 3/16	30	AR-3-13	3-13	5782	3.14	1	1 1/64	1/4	1/4	1/4	1 11/16	1 55/64	.040	5/16-24	2.1
		AR-306	5306	25718	79.756	25.4	25.8	6.4	6.4	6.4	42.9	47.2	1.02		.95
1 7/16	35	AR-3-17	3-17	7340	3.375	1 3/16	1 11/64	5/16	19/64	1/4	1 15/16	2 1/16	.062	5/16-24	2.8
		AR-307	5307	32648	85.725	30.2	29.8	7.9	7.5	6.4	49.2	52.4	1.57		1.27
1 1/2	40	AR-3-18	3-18	7901	3.562	1 3/16	1 11/64	5/16	19/64	1/4	1 15/16	2 19/64	.062	5/16-24	3
		AR-308	5308	35144	90.475	30.2	29.8	7.9	7.5	6.4	49.2	58.3	1.57		1.36
1 11/16 1 3/4	45	AR-3-111	3-111	7889	3.875	1 9/32	1 13/64	3/8	17/64	11/32	2 1/32	2 15/32	.062	3/8-24	3.5
		AR-3-112	3-112	35090	98.425	32.5	30.6	9.5	6.7	8.7	51.6	62.7	1.57		1.59
		AR-309	5309												
1 15/16	50	AR-3-115	3-115	9752	4.25	1 5/16	1 17/64	3/8	19/64	11/32	2 3/16	2 23/32	.080	3/8-24	4.4
		AR-310	5310	43377	107.950	33.3	32.1	9.5	7.5	8.7	55.6	69.1	2.03		2.00
2 3/16	55	AR-3-23	3-23	11789	4.718	1 9/16	1 21/64	7/16	21/64	11/32	2 9/16	2 63/64	.080	3/8-24	5.8
		AR-311	5311	52437	119.837	39.7	33.7	11.1	8.3	8.7	65.1	75.8	2.03		2.63
2 7/16 2 1/2	65	AR-3-27	3-27	13971	5.17	1 11/16	1 29/64	7/16	3/8	11/32	2 3/4	3 7/16	.080	7/16-20	9.3
		AR-3-28	3-28	62143	131.318	42.9	36.9	11.1	9.5	8.7	69.9	87.3	2.03		4.22
		AR-313	5313												
2 11/16	70	AR-3-211	3-211	14839	5.375	1 3/4	1 37/64	7/16	3/8	11/32	3 1/16	3 41/64	.080	7/16-20	9.6
		AR-314	5314	66004	136.525	44.5	40.1	11.1	9.5	8.7	77.8	92.5	2.03		4.35
2 15/16 3	75	AR-3-215	3-215	17412	5.875	1 15/16	1 53/64	17/32	13/32	15/32	3 1/4	3 59/64	.120	7/16-20	12.2
		AR-3-3	3-3	77449	149.225	49.2	46.4	13.5	10.3	11.9	82.6	99.6	3.05		5.53
		AR-315	5315												
3 3/16	80	AR-3-33	3-33	18681	6.28	2 1/32	2 5/64	15/32	17/32	15/32	3 3/8	4 5/32	.120	7/16-20	15.2
		AR-316	5316	83093	159.512	51.6	52.8	11.9	13.5	11.9	85.7	105.6	3.05		6.89
3 7/16		AR-3-37	3-37	21566	6.75	2 7/32	2 9/64	5/8	15/32	15/32	3 25/32	4 25/64	.120	1/2-20	18.5
				95926	171.450	56.4	54.4	15.9	11.9	11.9	96.0	111.5	3.05		8.39
3 15/16 4	100	AR-3-315	3-5315	29905	8.063	2 11/16	2 33/64	3/4	19/32	15/32	4 5/8	5 11/64	.120	5/8-18	32.9
		AR-3-4	3-4	133017	204.800	68.3	63.9	19.1	15.1	11.9	117.5	131.4	3.05		14.92
		AR-320	320												



Duty:	Medium
Rolling Elements:	Ball
Housing:	Brass Expansion Insert
Self Alignment:	+/- 2 Degrees
Lock:	SKWEZLOC Locking Collar
Seal:	Felt
Optional Seal:	Contact
Temperature:	-20° to 220°F



AR-T Medium Duty Expansion Insert - SKWEZLOC Locking Collar

Bore Diameter inch	Part No.	Bearing Insert No.	Basic Dynamic Rating lb/N	Dimensions inch / mm								Max Rad. To Clear	Torx Cap Screw	Unit Wt. lb/kg
				A +.000" -.005"	D	E	H	I	J	L	M			
1	AR-3-1T	3-1T	4381 19487	2.687 68.250	15/16 23.8	61/64 24.2	7/32 5.6	1/4 6.4	1 9/16 39.7	2 1/16 52.4	1 19/32 40.5	.040 1.02	T-25	1.7 .77
1 1/4	AR-2-14T	2-14T	5782 25718	3.14 79.756	1 1/16 27.0	1 25.4	1/4 6.4	1/4 6.4	1 3/4 44.5	2 7/16 61.9	1 27/32 46.8	.040 1.02	T-27	2.4 1.09
1 7/16	AR-3-17T	3-17T	7340 32648	3.375 85.725	1 1/4 31.8	1 11/64 29.8	19/64 7.5	1/4 6.4	2 50.8	2 11/16 68.3	2 1/16 52.4	.062 1.57	T-27	3.1 1.41
1 1/2	AR-3-18T	3-18T	7901 35144	3.562 90.475	1 1/4 31.8	1 11/64 29.8	19/64 7.5	1/4 6.4	2 50.8	2 13/16 71.4	2 5/16 58.7	.062 1.57	T-27	3.3 1.50
1 11/16	AR-3-111T	3-111T	7889	3.875	1 11/32	1 13/64	17/64	11/32	2 3/32	3 1/4	2 15/32	.062	T-30	4.1
1 3/4	AR-3-112T	3-112T	35090	98.425	34.1	30.6	6.7	8.7	53.2	82.6	62.7	1.57		1.86
1 15/16	AR-3-115T	2-115T	7889 35090	4.25 107.950	1 3/8 34.9	1 17/64 32.1	19/64 7.5	11/32 8.7	2 1/4 57.2	3 1/2 88.9	2 23/32 69.1	.080 2.03	T-30	5.0 2.27
2 3/16	AR-3-23T	3-23T	11789 52437	4.719 119.863	1 5/8 41.3	1 21/64 33.7	21/64 8.3	11/32 8.7	2 5/8 66.7	4 1/16 103.2	2 63/64 75.8	.080 2.03	T-45	7.0 3.18

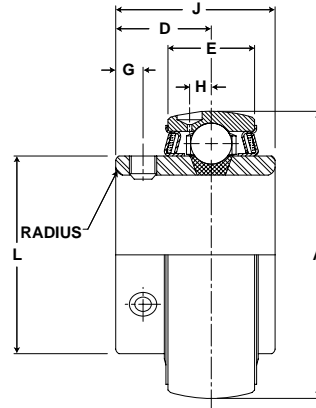
Metric dimensions for reference only.

Not all parts are available from stock. Please contact customer service for availability (800) 626-2120.

For more information on bearing capabilities outside of our standard offering, please contact Application Engineering (800) 626-2093.



- Duty:** Standard
- Rolling Elements:** Ball
- Lock:** Setscrew
- Seal:** Felt
- Optional Seal:** Contact
- Temperature:** -20° to 220°F

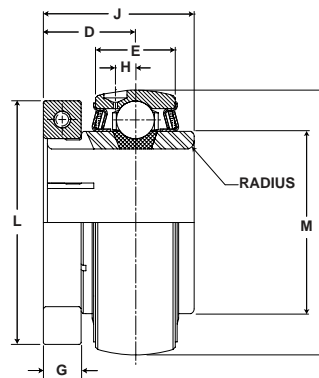


Standard Duty Bearing Insert – Setscrew

Bore Diameter		Part No.	Basic Dynamic Rating lb/N	Dimensions inch / mm							Max Rad. To Clear	Setscrew Thread	Unit Wt. lb/kg
inch	mm			A	D	E	G	H	J	L			
1/2	20	2-08	2611 11614	1.8504 47	23/32 18.3	5/8 15.9	3/16 4.8	1/8 3.2	1 7/32 31.0	1 3/16 30.2	.040 1.02	1/4-28	.5 .23
9/16		2-09											
5/8		2-010											
11/16		2-011											
3/4		2-012 5204											
13/16	25	2-013	2801 12459	2.0472 52	13/16 20.6	11/16 17.5	7/32 5.6	11/64 4.4	1 3/8 34.9	1 3/8 34.9	.040 1.02	1/4-28	.6 .27
7/8		2-014											
15/16		2-015											
1		2-1 5205											
1 1/16	30	2-11	4381 19487	2.4409 62	7/8 22.2	7/8 22.2	7/32 5.6	7/32 5.6	1 1/2 38.1	1 19/32 40.5	.040 1.02	1/4-28	1.0 .45
1 1/8		2-12											
1 3/16		2-13											
1 1/4		1-14 5206											
1 1/4	35	2-14	5782 25718	2.8316 72	1 25.4	15/16 23.8	1/4 6.4	1/4 6.4	1 11/16 42.9	1 55/64 47.2	.040 1.02	5/16-24	1.5 .68
1 5/16		2-15											
1 3/8		2-16											
1 7/16		2-17 5207											
1 1/2	40	2-18	7340 32648	3.1490 80	1 3/16 30.2	1 3/32 27.8	5/16 7.9	19/64 7.5	1 15/16 49.2	2 1/16 52.4	.062 1.57	5/16-24	1.9 .86
1 9/16		2-19 5208											
1 5/8		2-110											
1 11/16	45	2-111	7901 35144	3.3465 85	1 3/16 30.2	1 3/32 27.8	5/16 7.9	19/64 7.5	1 15/16 49.2	2 19/64 58.3	.062 1.57	5/16-24	2.2 1.00
1 3/4		2-112											
1 13/16		5209											
1 7/8	50	2-113	7889 35090	3.5433 90	1 9/32 32.5	1 1/8 28.6	3/8 9.5	17/64 6.7	2 1/32 51.6	2 15/32 62.7	.062 1.57	3/8-24	2.4 1.09
1 15/16		2-114											
2		2-115											
2		1-2 5210											
2	55	2-2	9752 43377	3.9370 100	1 5/16 33.3	1 3/16 30.2	3/8 9.5	19/64 7.5	2 3/16 55.6	2 23/32 69.1	.080 2.03	3/8-24	2.8 1.27
2 1/8		2-22											
2 3/16		2-23 5211											
2 1/4	60	2-24	11789 52437	4.3307 110	1 9/16 39.7	1 1/4 31.8	7/16 11.1	21/64 8.3	2 9/16 65.1	2 63/64 75.8	.080 2.03	3/8-24	3.7 1.68
2 3/8		2-26											
2 7/16		2-27 5212											
2 11/16	70	2-211	13971 62143	4.9213 125	1 11/16 42.9	1 3/8 34.9	7/16 11.1	3/8 9.5	2 3/4 69.9	3 7/16 87.3	.080 2.03	7/16-20	5.45 2.47
2 7/8		5214											
2 15/16	75	2-214	14839 66004	5.1181 130	1 3/4 44.5	1 1/2 38.1	7/16 11.1	3/8 9.5	3 1/16 77.8	3 41/64 92.5	.080 2.03	7/16-20	6.8 3.08
2 15/16		2-215											
3 3/16		5215											
3 3/16	80	2-33	17412 77449	5.5118 140	1 15/16 49.2	1 11/16 42.9	17/32 13.5	13/32 10.3	3 1/4 82.6	3 59/64 99.6	.120 3.05	7/16-20	7.2 3.27
3 3/16		5216											
3 1/4		2-34											
3 3/8	90	2-36	18681 83093	5.9055 150	2 1/32 51.6	1 15/16 49.2	15/32 11.9	17/32 13.5	3 3/8 85.7	4 5/32 105.6	.120 3.05	7/16-20	9.3 4.22
3 7/16		2-37											
3 1/2	2-38	21566	6.2992	2 7/32	2	5/8	15/32	3 25/32	4 25/64	.120	11.7	1/2-20	5.31
		5218	95926	160	56.4	50.8	15.9	11.9	96.0	111.5	3.05		



Duty: Standard
Rolling Elements: Ball
Lock: SKWEZLOC Locking Collar
Seal: Felt
Optional Seal: Contact
Temperature: -20° to 220°F

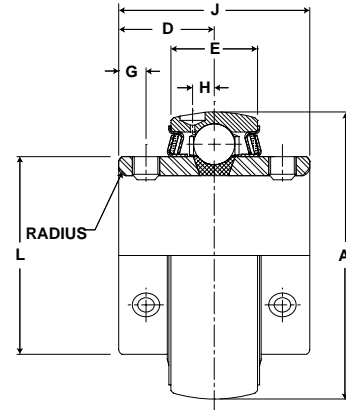


Standard Duty Bearing Insert – SKWEZLOC Locking Collar

Bore Diameter		Part No.	Basic Dynamic Rating lb/N	Dimensions inch / mm								Max Rad. To Clear	Torx Cap Screw	Unit Wt. lb/kg
inch	mm			A	D	E	G	H	J	L	M			
3/4	20	2-012T	2611	1.8504	23/32	5/8	3/8	9/64	1 9/32	1 3/4	1 3/16	.040	T-25	.60
		5204TMC	11614	47	18.3	15.9	9.5	3.6	32.5	44.5	30.2	1.02		.27
15/16 1 .984	25	2-015T	2801	2.0472	13/16	11/16	3/8	11/64	1 7/16	1 15/16	1 3/8	.040	T-25	.80
		2-1T 5205TMC	12459	52	20.6	17.5	9.5	4.4	36.5	49.2	34.9	1.02		.36
1 1/8 1 3/16 1 1/4	30	2-12T	4381	2.4409	7/8	7/8	3/8	7/32	1 9/16	2 3/16	1 19/32	.040	T-25	1.2
		2-13T 1-14T 5206TMC	19487	62	22.2	22.2	9.5	5.6	39.7	55.6	40.5	1.02		.54
1 1/4		2-14T	5782	2.8346	1	15/16	7/16	1/4	1 3/4	2 7/16	1 55/64	.040	T-27	1.8
		25718	72	25.4	23.8	11.1	6.4	44.5	61.9	47.2	1.02	.82		
1 3/8 1 7/16	35	2-16T	5782	2.8346	1	15/16	7/16	1/4	1 3/4	2 9/16	1 55/64	.040	T-27	1.8
		2-17T 5207TMC	25718	72	25.4	23.8	11.1	6.4	44.5	65.1	47.2	1.02		.82
1 1/2 1 9/16	40	2-18T	7340	3.1496	1 3/16	1 3/32	7/16	19/64	2	2 11/16	2 1/16	.062	T-27	2.2
		2-19T 5208TMC	32648	80	30.2	27.8	11.1	7.5	50.8	68.3	52.4	1.57		1.00
1 5/8		2-110T	7901	3.3465	1 3/16	1 3/32	7/16	19/64	2	2 13/16	2 19/64	.062	T-27	2.5
		35144	85	30.2	27.8	11.1	7.5	50.8	71.4	58.3	1.57	1.13		
1 11/16 1 3/4	45	2-111T	7901	3.3465	1 3/16	1 3/32	7/16	19/64	2	2 15/16	2 19/64	.062	T-27	2.5
		2-112T 5209TMC	35144	85	30.2	27.8	11.1	7.5	50.8	74.6	58.3	1.57		1.13
1 15/16 2	50	2-115T	7889	3.5433	1 9/32	1 1/8	9/16	17/64	2 3/32	3 3/8	2 15/32	.062	T-30	3.0
		1-2T 5210TMC	35090	90	32.5	28.6	14.3	6.7	53.2	85.7	62.7	1.57		1.36
2		2-2T	9752	3.9370	1 5/16	1 3/16	9/16	19/64	2 1/4	3 1/2	2 23/32	.080	T-30	3.4
		43377	100	33.3	30.2	14.3	7.5	57.2	88.9	69.1	2.03	1.54		
2 1/8 2 3/16	55	2-22T	9752	3.9370	1 5/16	1 3/16	9/16	19/64	2 1/4	3 5/8	2 23/32	.080	T-30	3.4
		2-23T 5211TMC	43377	100	33.3	30.2	14.3	7.5	57.2	92.1	69.1	2.03		1.54
2 1/4		2-24T	11789	4.3307	1 9/16	1 1/4	11/16	21/64	2 5/8	4 1/16	2 63/64	.080	T-45	4.9
		52437	110	39.7	31.8	17.5	8.3	66.7	103.2	75.8	2.03	2.22		
2 3/8 2 7/16	60	2-26T	11789	4.3307	1 9/16	1 1/4	11/16	21/64	2 5/8	4 1/8	2 63/64	.080	T-45	4.9
		2-27T 5212TMC	52437	110	39.7	31.8	17.5	8.3	66.7	104.8	75.8	2.03		2.22



- Duty:** Standard
- Rolling Elements:** Ball
- Lock:** Double Setscrew
- Seal:** Felt
- Optional Seal:** Contact
- Temperature:** -20° to 220°F

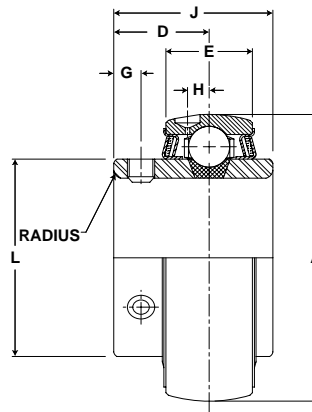


Standard Duty Bearing Insert – Double Setscrew

Bore Diameter inch	Bearing Insert No.	Basic Dynamic Rating lb/N	Dimensions inch / mm							Max Rad. To Clear	Setscrew Thread	Unit Wt. lb/kg
			A	D	E	G	H	J	L			
7/8	2-014D	2801	2.0472	3/4	11/16	7/32	11/64	1 1/2	1 3/8	.040	1/4-28	.6
15/16	2-015D	12459	52	19.1	17.5	5.6	4.4	38	34.9	1.02		.27
1	2-1D											
1 3/16	2-13D	4381 19487	2.4409 62	7/8 22.2	7/8 22.2	7/32 5.6	7/32 5.6	1 3/4 44	1 19/32 40.5	.040 1.02	1/4-28	1.0 .45
1 1/4	2-14D	5782	2.8346	1	15/16	1/4	1/4	2	1 55/64	.040	5/16-24	1.5
1 3/8	2-16D	25718	72	25.4	23.8	6.4	6.4	51	47.2	1.02		.68
1 7/16	2-17D											
1 1/2	2-18D	7340	3.1496	1 5/32	1 3/32	5/16	19/64	2 5/16	2 1/16	.062	5/16-24	1.9
1 9/16	2-19D	32648	80	29.4	27.8	7.9	7.5	59	52.4	1.57		.86
1 11/16	2-111D	7901	3.3465	1 3/16	1 3/32	11/32	19/64	2 3/8	2 19/64	.062	5/16-24	2.2
1 3/4	2-112D	35144	85	30.2	27.8	8.7	7.5	60	58.3	1.57		1.00
1 7/8	2-114D	7889	3.5433	1 1/4	1 1/8	11/32	17/64	2 1/2	2 15/32	.062	3/8-24	2.4
1 15/16	2-115D	35090	90	31.8	28.6	8.7	6.7	64	62.7	1.57		1.09
2	2-2D	9752	3.9370	1 5/16	1 3/16	5/16	19/64	2 5/8	2 23/32	.080	3/8-24	2.8
2 1/8	2-22D	43377	100	33.3	30.2	7.9	7.5	67	69.1	2.03		1.27
2 3/16	2-23D											
2 1/4	2-24D	11789	4.3307	1 9/16	1 1/4	13/32	21/64	3 1/8	2 63/64	.080	3/8-24	3.7
2 3/8	2-26D	52437	110	39.7	31.8	10.3	8.3	79	75.8	2.03		1.68
2 7/16	2-27D											
2 11/16	2-211D	13971 62143	4.9213 125	1 3/4 44.5	1 3/8 34.9	15/32 11.9	3/8 9.5	3 1/2 89	3 7/16 87.3	.080 2.03	7/16-20	5.8 2.63
2 7/8	2-214D	14839	5.1181	1 3/4	1 1/2	7/16	3/8	3 1/2	3 41/64	.080	7/16-20	6.8
2 15/16	2-215D	66004	130	44.5	38.1	11.1	9.5	89	92.5	2.03		3.08
3 3/16	2-33D	17412 77449	5.5118 140	1 15/16 49.2	1 11/16 42.9	9/16 14.3	13/32 10.3	3 7/8 98	3 59/64 99.6	.120 3.05	7/16-20	7.2 3.27
3 1/4	2-34D	18681	5.9055	2 1/32	1 15/16	1/2	17/32	4 1/16	4 5/32	.120	7/16-20	9.3
3 3/8	2-36D	83093	150	51.6	49.2	12.7	13.5	103	105.6	3.05		4.22
3 7/16	2-37D											
3 1/2	2-38D	21566 95926	6.2992 160	2 7/32 56.4	2 50.8	1/2 12.7	15/32 11.9	4 7/16 113	4 25/64 111.5	.120 3.05	1/2-20	11.7 5.31



- Duty:** Medium
- Rolling Elements:** Ball
- Lock:** Setscrew
- Seal:** Felt
- Optional Seal:** Contact
- Temperature:** -20° to 220°F

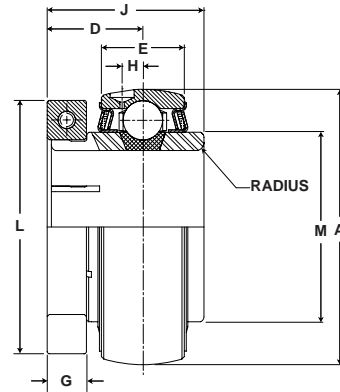


Medium Duty Bearing Insert – Setscrew

Bore Diameter		Bearing Insert No.	Basic Dynamic Rating lb/N	Dimensions inch / mm							Max Rad. To Clear	Setscrew Thread	Unit Wt. lb/kg
inch	mm			A	J	D	E	L	G	H			
15/16 1	25	3-015 3-1 5305	4381 19487	2.4409 62	1 1/2 38.1	7/8 22.2	7/8 22.2	1 19/32 40.5	7/32 5.6	7/32 5.6	.040 1.02	1/4-28	1.0 .45
1 3/16 1.181	30	3-13 5306	5782 25718	2.8346 72	1 11/16 42.9	1 25.4	15/16 23.8	1 55/64 47.2	1/4 6.4	1/4 6.4	.040 1.02	5/16-24	1.5 .68
1 7/16	35	3-17 5307	7340 32648	3.1496 80	1 15/16 49.2	1 3/16 30.2	1 3/32 27.8	2 1/16 52.4	5/16 7.9	19/64 7.5	.062 1.57	5/16-24	1.9 .86
1 1/2	40	3-18 5308	7901 35144	3.3465 85	1 15/16 49.2	1 3/16 30.2	1 3/32 27.8	2 19/64 58.3	5/16 7.9	19/64 7.5	.062 1.57	5/16-24	2.2 1.00
1 11/16 1 3/4	45	3-111 3-112 5309	7889 35090	3.5433 90	2 1/32 51.6	1 9/32 32.5	1 1/8 28.6	2 15/32 62.7	3/8 9.5	17/64 6.7	.062 1.57	3/8-24	2.4 1.09
1 15/16	50	3-115 5310	9752 43377	3.9370 100	2 3/16 55.6	1 5/16 33.3	1 3/16 30.2	2 23/32 69.1	3/8 9.5	19/64 7.5	.080 2.03	3/8-24	3.2 1.45
2 3/16	55	3-23 5311	11789 52437	4.3307 110	2 9/16 65.1	1 9/16 39.7	1 1/4 31.8	2 63/64 75.8	7/16 11.1	21/64 8.3	.080 2.03	3/8-24	4.2 1.91
2 7/16 2 1/2	65	3-27 3-28 5313	13971 62143	4.9213 125	2 3/4 69.9	1 11/16 42.9	1 3/8 34.9	3 7/16 87.3	7/16 11.1	3/8 9.5	.080 2.03	7/16-20	6.5 2.95
2 11/16	70	3-211 5314	14839 66004	5.1181 130	3 1/16 77.8	1 3/4 44.5	1 1/2 38.1	3 41/64 92.5	7/16 11.1	3/8 9.5	.080 2.03	7/16-20	7.1 3.22
2 15/16 3	75	3-215 3-3 5315	17412 77449	5.5118 140	3 1/4 82.6	1 15/16 49.2	1 11/16 42.9	3 59/64 99.6	17/32 13.5	13/32 10.3	.120 3.05	7/16-20	8.2 3.72
3 3/16	80	3-33 5316	18681 83093	5.9055 150	3 3/8 85.7	2 1/32 51.6	1 15/16 49.2	4 5/32 105.6	15/32 11.9	17/32 13.5	.120 3.05	7/16-20	10.0 4.54
3 7/16		3-37	21566 95926	6.2992 160	3 25/32 96.0	2 7/32 56.4	2 50.8	4 25/64 111.5	5/8 15.9	15/32 11.9	.120 3.05	1/2-20	11.7 5.31
3 15/16 4	100	3-315 3-4 5320	29905 133017	7.4803 190	4 5/8 117.5	2 11/16 68.3	2 1/2 63.5	5 11/64 131.4	3/4 19.1	19/32 15.1	.120 3.05	5/8-18	20.4 9.25

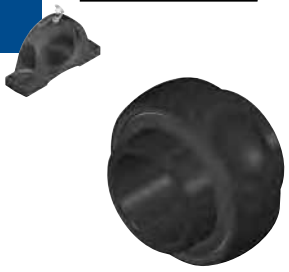


- Duty:** Medium
- Rolling Elements:** Ball
- Lock:** SKWEZLOC Locking Collar
- Seal:** Felt
- Optional Seal:** Contact
- Temperature:** -20° to 220°F

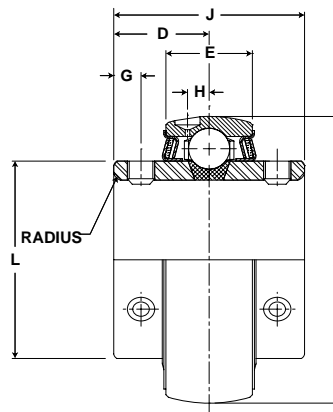


Medium Duty Bearing Insert - SKWEZLOC Locking Collar

Bore Diameter		Part No.	Basic Dynamic Rating lb/N	Dimensions inch / mm								Max Rad. To Clear	Torx Cap Screw	Unit Wt. lb/kg
inch	mm			A	J	D	E	G	H	L	M			
1	25.4	3-1T	4381	2.4409	1 9/16	7/8	7/8	3/8	7/32	2 1/16	1 19/32	.040	T-25	1.2
			19487	62	39.7	22.2	22.2	9.5	5.6	52.4	40.5	1.02		.54
1 3/16	30.2	3-13T	5782	2.8346	1 3/4	1	15/16	7/16	1/4	2 7/16	1 55/64	.040	T-27	1.8
			25718	72	44.5	25.4	23.8	11.1	6.4	61.9	47.2	1.02		.82
1 7/16	36.5	3-17T	7340	3.1496	2	1 3/16	1 3/32	7/16	19/64	2 11/16	2 1/16	.062	T-27	2.2
			32648	80	50.8	30.2	27.8	11.1	7.5	68.3	52.4	1.57		1.00
1 1/2	38.1	3-18T	7901	3.3470	2	1 3/16	1 3/32	7/16	19/64	2 13/16	2 19/64	.062	T-27	2.5
			35144	85	50.8	30.2	27.8	11.1	7.5	71.4	58.3	1.57		1.13
1 11/16	42.9	3-111T	7889	3.5433	2 3/32	1 9/32	1 1/8	9/16	17/64	3 1/4	2 15/32	0.062	T-30	3.0
			35090	90	53.2	32.5	28.6	14.3	6.7	82.6	62.7	1.57		1.36
1 15/16	49.2	3-115T	9752	3.9370	2 1/4	1 5/16	1 3/16	9/16	19/64	3 1/2	2 23/32	.080	T-30	3.8
			43377	100	57.2	33.3	30.2	14.3	7.5	88.9	69.1	2.03		1.72
2 3/16	55.6	3-23T	11789	4.3307	2 5/8	1 9/16	1 1/4	11/16	21/64	4 1/16	2 63/64	.080	T-45	4.9
			52437	110	66.7	39.7	31.8	17.5	8.3	103.2	75.8	2.03		2.22



Duty: Medium
Rolling Elements: Ball
Lock: Double Setscrew
Seal: Felt
Optional Seal: Contact
Temperature: -20° to 220°F



Medium Duty Bearing Insert – Double Setscrew

Bore Diameter inch	Part No.	Basic Dynamic Rating lb/N	Dimensions inch / mm							Max Rad. To Clear	Setscrew Thread	Unit Wt. lb/kg
			A	D	E	G	H	L	J			
1	3-1D	4381	2.4409	7/8	7/8	7/32	7/32	1 19/32	1 3/4	.040	1/4-28	1.0
		19487	62	22.2	22.2	5.6	5.6	40.5	44.5	1.02		.45
1 3/16	3-13D	5782	2.8346	1	15/16	1/4	1/4	1 55/64	2	.040	5/16-24	1.5
			72	25.4	23.8	6.4	6.4	47.2	50.8	1.02		.68
1 7/16	3-17D	7340	3.1496	1 5/32	1 3/32	31/99	19/64	2 1/16	2 5/16	.062	5/16-24	2.0
		32648	80	29.4	27.8	8.0	7.5	52.4	58.7	1.57		.91
1 1/2	3-18D	7901	3.3470	1 3/16	1 3/32	11/32	19/64	2 19/64	2 3/8	.062	5/16-24	2.5
			85	30.2	27.8	8.7	7.5	58.3	60.3	1.57		1.13
1 11/16	3-111D	7889	3.5433	1 1/4	1 1/8	11/32	17/64	2 15/32	2 1/2	.062	3/8-24	2.7
		1 3/4	3-112D	35090	90	31.8	28.6	8.7	62.7	63.5		1.57
1 15/16	3-115D	9752	3.9370	1 5/16	1 3/16	31/99	19/64	2 23/32	2 5/8	.080	3/8-24	3.5
			100	33.3	30.2	8.0	7.5	69.1	66.7	2.03		1.59
2 7/16	3-27D	13971	4.9207	1 3/4	1 3/8	15/32	3/8	3 7/16	3 1/2	.080	7/16-20	7.1
		2 1/2	3-28D	62143	125	44.5	34.9	11.9	9.5	87.3		88.9
2 11/16	3-211D	14839	5.1181	1 3/4	1 1/2	39/89	3/8	3 41/64	3 1/2	.080	1/2-20	7.3
			130	44.5	38.1	11.1	9.5	92.5	88.9	2.03		3.31
2 15/16	3-215D	17412	5.5118	1 15/16	1 11/16	49/87	13/32	3 59/64	3 7/8	.120	1/2-20	9
		3	3-3D	77449	140	49.2	42.9	14.3	10.3	99.6		98.4
3 3/16	3-33D	18681	5.9055	2 1/32	1 15/16	1/2	17/32	4 5/32	4 1/16	.120	1/2-20	10.8
			150	51.6	49.2	12.7	13.5	105.6	103.2	3.05		4.90
3 7/16	3-37D	21566	6.2992	2 7/32	2	1/2	15/32	4 25/64	4 7/16	.120	1/2-20	12.6
		95926	160	56.4	50.8	12.7	11.9	111.5	112.7	3.05		5.72
3 15/16	3-315D	29905	7.4803	2 11/16	2 1/2	64/89	19/32	5 11/64	5 3/8	.120	5/8-18	21.6
		4	3-4D	133017	190	68.3	63.5	18.3	15.1	131.4		136.5
4 7/16	3-47D	37482	9.0551	2 7/8	2 5/8	5/8	5/8	6 11/32	5 3/4	.120	5/8-18	40
		4 15/16	3-415D	166720	230	73.0	66.7	15.9	15.9	161.1		146.1