

Oneprox™ Mullion Reader

The PAC Oneprox Mullion offers a traditional look with reliability, consistent read range and low power consumption in an easy-to-install package. With an attractive, unobtrusive design and charcoal grey colour, it is designed to mount on either a door frame (mullion) or any flat surface. It is ideally suited to locations indoors or outdoors that require a reader with a small footprint.

The reader has one bi-colour LED (light emitting diode) that emits red or green light. This is red when the reader is active, turning green with an optional beeper sound when the reader senses a valid token or card and the door controller activates the lock output.



Key Features:

- Up to 60mm (2.36 in.) reading range
- Reads PAC and KeyPAC technology ID tokens and cards
- Fast and dependable read times
- Unobtrusive, mounts directly onto a door frame (mullion) or any flat surface
- Superb reliability, consistent read range and low power consumption in an easy-to-install package
- Five programmable output formats
- Easy installation with industry standard, low cost 6-core alarm cable
- Compatible with iPAC, Easikey, Easikey 1000, PAC 2200 series, PAC 202 and PAC 512 door controllers
- Sealed in a rugged weatherised polycarbonate enclosure to withstand harsh environment
- Lifetime guarantee against electronic failure

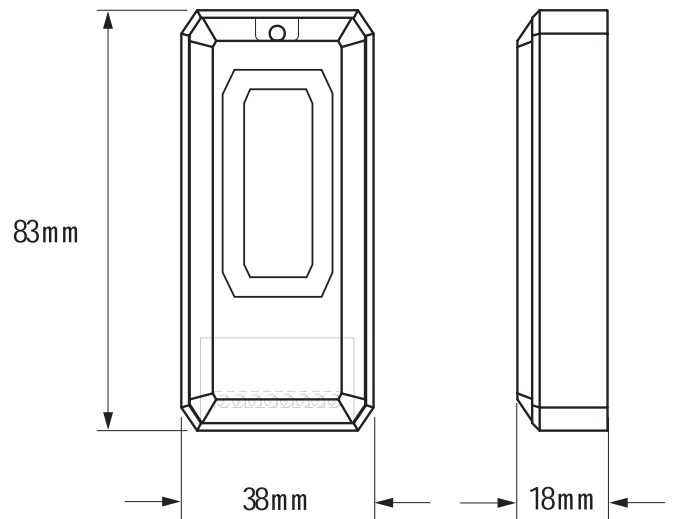
The design delivers reliable read ranges of up to 60mm (2.36 in.) and is usually powered directly from the access control panel. The electronics are sealed in a UL-approved flame-retardant potting material, making the reader both vandal and weather resistant.



Features & Specification

Description	Mullion-style proximity reader
ID Technology	PAC Oneprox (works with PAC and KeyPAC)
Dimensions	H: 83mm (3.2") W: 38mm (1.5") D: 18mm (0.7")
Programmable Output Formats	Standard PAC (default), Wiegand 26-bit, Wiegand 34-bit, ABA track 2, or barcode
Weight	60g (nominal)
Maximum Read Range	Up to 60mm (2.36 in.)
Environment	IP66 - Indoor/Outdoor weather resistant
Maximum Current Requirements	< 100mA
Recommended Cable Type	6-core 24AWG alarm cable
Operating Temperature	-20° to +55° C
Operating Humidity	0 to 85% relative humidity non-condensing
Audiovisual Indication	Bi-colour LED (red-green) and audible sounder
Tamper Output	Yes (dependant on controller specification)
Material	ABS Plastic UL94V0
Certification	CE Mark, Fifteen EU Countries under the R&TTE Directive (EN60950 - ITE Electrical Safety, ETS EN 300 330 - SRD, and ETS EN 301 489 - EMC)

Oneprox Mullion Reader



Ordering Information

20073	Oneprox Mullion Reader - grey
-------	-------------------------------

ACCESSORIES

21020 PAC Token

- Black with PAC logo clip



20204 PAC Token

- Black without PAC logo clip

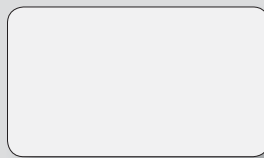
A range of coloured clips available



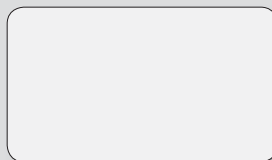
20250 KeyPAC Token



21039 PAC ISO Proximity Card x 10



21030 KeyPAC ISO Proximity Card



21087 Stanley Tokens

Black



21082



21084

Yellow



21086

Purple



21085

Orange



21083

Blue



21081

Red



STANLEY Security Products

PAC Access Control, 1 Park Gate Close, Bredbury, Stockport, Cheshire, SK6 2SZ
 Tel: +44 (0) 161 406 3400 Fax: +44 (0) 161 406 8984 Email: customerservices@stanleysecurityproducts.com
www.stanleysecurityproducts.com

Stanley Security Products is a sales channel of Stanley Security Solutions

Stanley Security Solutions Ltd. Registered in England and Wales No. 181585. Registered Office: Stanley House, Bramble Road, Swindon, Wiltshire SN2 8ER. VAT No. 232 2446 95

All reasonable care has been taken to ensure that the information contained in this publication is accurate as at the date of printing. Such information is nevertheless liable to variation in the event of changes occurring subsequent to the date of printing in the products, services or statements referred to in this publication.