

PAC[®] 530 Output Controller

The PAC 530 Output Controller provides a PAC SecureNet system with the ability to control area sounders, alarm resets and other associated devices. It connects directly to a PAC 500 Access and Alarm Server either by alarm or CAT 5 cable using RS-485 communications.

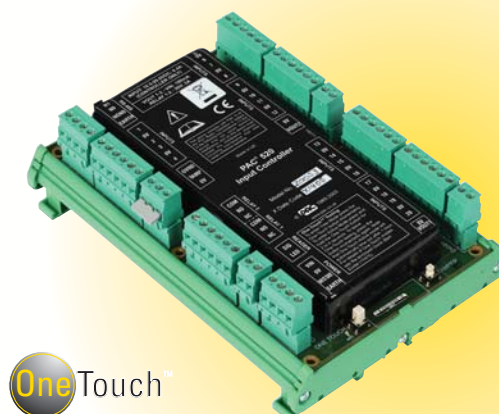
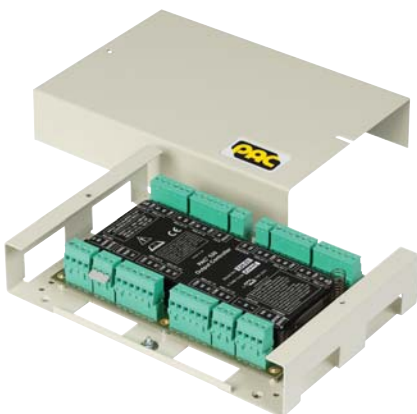
Designed and manufactured for use with PAC SecureNet Access Control software, ten 2 Amp and two 8 Amp outputs are configurable as latched, momentary, toggling or pulsing. Two user inputs are configurable as Normally Open (NO) or Normally Closed (NC), with optional supervision via three or four state monitoring.

The Output Controller can also be used to integrate an elevator system within a PAC access control environment. Each Output Controller can control up to 12 floors and multiple Output Controllers can be combined per car. Operating in conjunction with an Access and Alarm Server (PAC 500) and Two-Door Access Controllers (PAC 512) each floor is configured as an area and can be programmed with a specific period during which only access is possible to cardholders with appropriate access privileges. Options also include out of hours access and exit, together with an optional additional button selection time (DDA and ADA requirement).

The unique One-Touch™ testing mode shows the state of each output and input providing instantaneous polling and communication status at the controller with just the press of a single button. Installation testing has never been simpler, no PC is required and complex programming and dip switch configuration is avoided.

Key Features:

- 2 x 8 Amp latching relay outputs
- 10 x 2 Amp latching relay outputs
- All outputs can be configured as latched, momentary, toggling or pulsing
- Two configurable inputs (supervised and non-supervised)
- Both inputs can be individually configured to be two state, three state or four state
- Override and Tamper inputs
- Status LEDs show the states of all inputs and outputs
- Fast RS-485 communications to PAC 500
- Up to 48 output controllers can be connected to a single PAC 500 via RS-485
- Receives and processes real time commands from the PAC 500
- Reports all activities to the PAC 500
- Enables complex input and output linking with PAC 500 and PAC 520
- Watchdog reset for maximum reliability
- Unique One-Touch™ installation mode simplifies and speeds up system commissioning, without need for a PC or programming
- Wide voltage operation 10.5V to 28V
- One polyfused 10/100mA auxiliary voltage output
- Power supply status monitored and reported
- Fast 16 bit microprocessor
- Easy in-field firmware upgrades
- DIN-Rail mounting for ease of installation

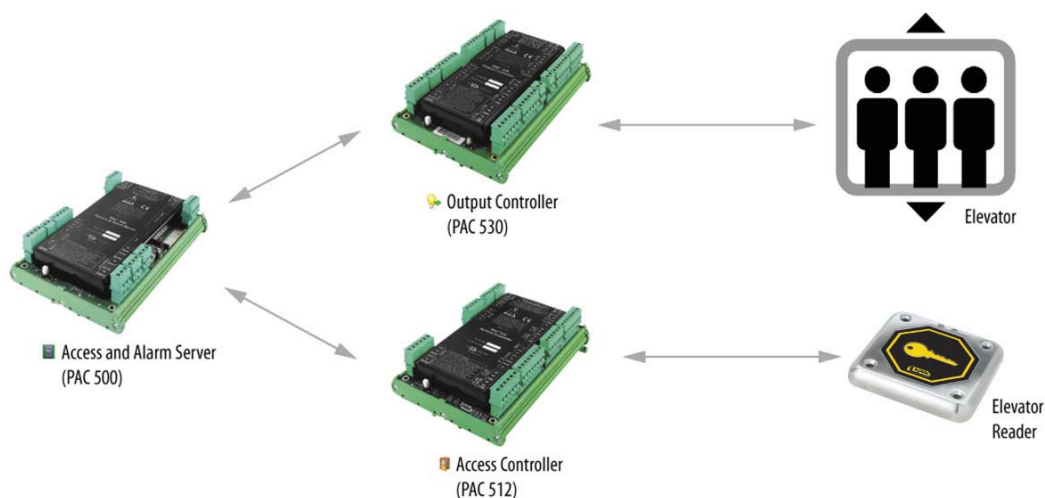


OneTouch™



Elevator Architecture

The Output Controller is a key component in an elevator access control system. On presentation of a valid ID device to the reader located inside an elevator, the PAC 500 (Access Alarm Server) sends a command to the PAC 530 (Output Controller) which enables the corresponding door buttons. The card/keyholder can then press a button and be taken to their floor selection.



Features & Specification

Description	PAC 530 Output Controller - DIN Mount PAC 530 Output Controller (Boxed)
Dimensions/Weight:	DIN: H:125mm x W:180mm x D:60mm Boxed: H:220mm x W: 150mm x D: 40 mm
Temperature/ Humidity:	Operating: -10°C to +55°C (14°F to +130°F) Storage: -25°C to +80°C (-13°F to +176°F) Humidity: 0 to 85% RHNC
Outputs	10 x 2 Amp and 2 x 8 Amp latching relay outputs, configurable as latched, momentary, toggling or pulsing
Inputs	Two software configurable alarm inputs can be used for alarm device monitoring. Configurable via SecureNet
Communication Ports	RS-485 (57.6K bps)
Wiring Requirements	RS-485 - CAT5 up to 1000m, 3000ft total cable or 7/0.2mm, 1500ft total cable
Module Power	10.5VDC @ 60mA to 28VDC @ 30mA
Warranty	5 Years
Regulatory Compliance	BS8030:2001 "Providing Access Solutions for Disabled People" EN 50133 - Access control systems for use in security applications EN55022 Class B. EN50130-4. CE Certified. FCC - Part 15 Class B. Designed for UL1076 and UL294

Ordering Information

Part number	Description
20050	20050 PAC 530 Output Controller (Boxed)
20052	PAC 530 Output Controller - DIN Mount

STANLEY Security Products

PAC Access Control, 1 Park Gate Close, Bredbury, Stockport, Cheshire, SK6 2SZ
Tel: +44 (0) 161 406 3400 Fax: +44 (0) 161 406 8984 Email: customerservices@stanleysecurityproducts.com
www.stanleysecurityproducts.com

Stanley Security Products is a sales channel of Stanley Security Solutions
Stanley Security Solutions Ltd. Registered in England and Wales No. 181585. Registered Office: Stanley House, Bramble Road, Swindon, Wiltshire SN2 8ER. VAT No. 232 2446 95
All reasonable care has been taken to ensure that the information contained in this publication is accurate as at the date of printing. Such information is nevertheless liable to variation in the event of changes occurring subsequent to the date of printing in the products, services or statements referred to in this publication.