

## PVC VERTICAL OPENING SHUTTER SYSTEM

- This system is mainly aimed at small dimensions vertical opening cabinets –applications in office furniture, kitchen furniture, caravans, etc.

- Special tracking or full roller systems are available to adapt different dimensional and functional constraints

- One point lock can be fit to handle

- Standard colours are offered to suit every customer's requirements : plain, woodgain, aluminium finishes.

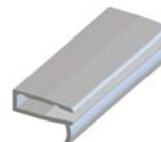
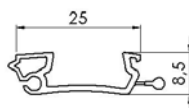
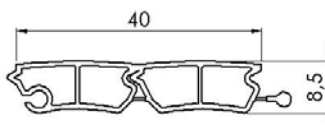
Our shutters have been developed over many years to give easy and quiet operation whilst maintaining optimum rigidity with efficient weight per metre.



### SHUTTER SYSTEM

	reference	description
Shutter profile	<b>622</b>	smooth double slat 2 X 20 mm
Midbar profile	<b>662</b>	single slat 1X 25 mm
Handle profile	<b>217</b>	single slat 1 X 36,5 mm

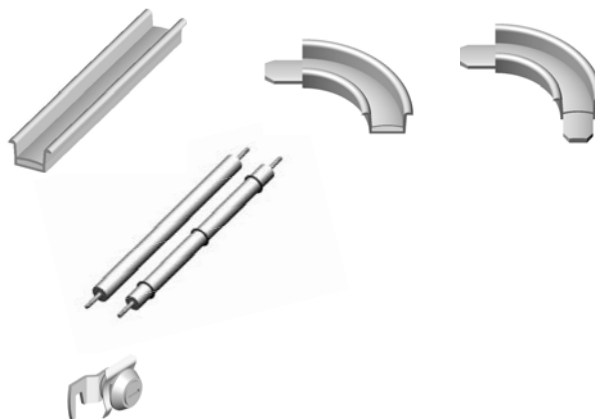
Shutter supplied fully assembled -with lock if required



### TRACKING SYSTEM

	reference	description
Tracking	<b>389</b>	straight track -any length
Corner	<b>396</b>	90° corner – male/female
Corner	<b>394</b>	90° corner – male/male

**Roller** full roller system  
Please contact us for full details



### ACCESSORY

**Lock** : 1 point