



Renz – the top address for your mail

Mail box units

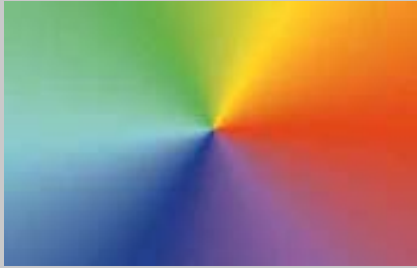




Quality is more than a promise

Mail Box Units can be affected by over ambitious postmen, vandals and bad weather to name but a few. To combat this Renz products are produced with practical designs, selective materials and are finished to a high standard to ensure many years of reliable service.





A riot of colour: It is solely up to you to decide if you want your mail box unit in the standard colour. We have more than 200 colours for you from luminous yellow to coral red and sapphire blue.



Where else would you find that? RENTZ provides a 10-year guarantee against rusting. This is possible because we use high-grade materials: choose between weather-resistant aluminium, corrosion-proof Galfan (high-grade galvanised sheet steel) or V4A stainless steel.



Renzt mail box units are built to the highest quality. Choose between vertical and horizontal versions.



RENTZ mail boxes are available in larger sizes to cope with high volumes of mail.

Contents

Page

Special units

Special units from various Model Groups	4 - 7
---	-------

Model Group 10

Units with vertical mail boxes	
Overview	8 - 9
Flush-fixed mail box units	10 - 11
Face-fixed mail box units	12
Free-standing mail box units	13

Model Group 13

Units with horizontal mail boxes	
Overview	14 - 15
Free-standing mail box units	16 - 17
Face-fixed mail box units	18
Flush-fixed mail box units	19

Model Group 11/12

Slide-through units for strike plates	20 - 23
---------------------------------------	---------

Model Group 14

Slide-through units for wall installation	24 - 27
---	---------

Model Group 15

Commercial line	28 - 29
Residential line	30 - 31

Model Group 16

Intercom and bell units	32 - 33
-------------------------	---------

Model Group 17

Top opening mail boxes canto, cubico, radio	34 - 35
Top opening mail boxes	36
Single letter Plates	37
Bell elements for wood/door side sections	37

Model Group 21/22

Mail sorters	28 - 29
--------------	---------

Model Group 30

Notice Boards	39
---------------	----

Information

European standard for mail box units EN 13724	40
General conditions of delivery	41
Surfaces and colours	42 - 43



Special units

Made to measure from various model groups.

With the various ranges of RENZ mail boxes it is possible to manufacture units to your individual requirements.





Fig. 5/1 Mail box of Model Group 10, with **RSA** and **RS50**. CONVEX roof, side sheet casing manufactured from V4A stainless steel, 60 mm bevelled steel tubular stand. Door opening to the left, 2-point locking.



Fig. 5/2 Special mail box unit, mail removable from the front or back, with **RSA**, unit can be fitted into the side panel of the door section or can be for standing on a pedestal, engraved front with back lighting, completely made of V4A stainless steel.



Fig. 5/3 Mail box unit from Model Group 13, with **RSA**, sheet aluminium casing and 100 x 100 mm square tubular stand



Fig. 5/4 Mail box unit from Model Group 12, box with angled chute adjustable in length for different wall thicknesses and fitted with a flush mounted mail removal door, front thermally broken.





Fig. 7/1 Mail box unit from Model Group 13, with **RSA**, incorporating CCTV camera supplied by others, 2 mm square corner casing, free-standing on pedestal, completely manufactured from V4A stainless steel



Fig. 7/2 Mail box unit from Model Group 13, with **RSA**, 10 mm sheet casing and frame, completely manufactured from V4A stainless steel.



Fig. 7/3 Mail box unit from Model Group 13, sheet casing and doors, 60 mm round tubular stand, with **RSA**, trapezoidal roof, completely manufactured from V4A stainless steel. (Roof can also be supplied of galvanised sheet steel, powder-coated).



Fig. 7/4 Mail box unit from Model Group 13, with casing and rounded roof with 42 mm round tubular double stand, with **RSA**, completely manufactured from V4A stainless steel.

Model Group 10

Vertical mail boxes.

You have the choice from the small box for residential applications up to the extra deep business mail box which can be fitted with various finishing profiles.

Mail boxes



Box: 220 x 290 x 70 mm
Letter plate 190 x 33 mm



Box: 260 x 330 x 100 mm
Letter plate 230 x 33 mm



Box: 370 x 330 x 100 mm
Letter plate 335 x 33 mm
EN 13724



Box: 370 x 330 x 145 mm
optional extra **RS50**
EN 13724
Letter plate 335 x 50 mm



Box: 300 x 440 x 145 mm
optional extra **RS50**
EN 13724
Letter plate 265 x 50 mm



Box: 370 x 440 x 145 mm
optional extra **RS50**
EN 13724
Letter plate 335 x 50 mm



Business series
Box: 520 x 660 x 145 mm
EN 13724

Plaster frame for flush-fixed units



Corner profile plaster frame



RS3000 radius-profile plaster frame



RS3100 radius-profile plaster frame



PRISMA® plaster frame



CONVEX plaster frame, only available in V4A stainless steel.

Information

The volume of mail is likely to increase considerably over the next few years with the growth of mail-order trading. Therefore, enough space for your mail will become even more important.

RENN provides you today with the solution for your future requirements in Model Group 10 with the deep boxes with **RS50**.

The standard models

Standard version:

- Material: galvanised sheet steel (Galfan)
- 10-year guarantee against rusting
- High-grade cylinder locks
- Deep drawn doors (not with the 220 mm wide box and the business series).
- Powder coating
- Aluminium profile letter plate with sound reducing rubber section.
- **RS50** is standard with 145 mm box depth

The aluminium models

Instead of the sheet steel door, this item is fitted with an anodized aluminium door

The stainless steel models

Standard version:

- Casing galvanised sheet steel, grey aluminium RAL 9007 coated
- Door and letter plate manufactured from V4A stainless steel.

Exclusive version:

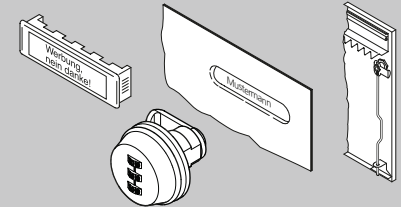
- Casing, door and letter plate manufactured from V4A stainless steel.

Both versions are fitted with an increased security cylinder lock.
The standard name plate is plastic.
RENZ recommends the use of the **RSA** anti-vandalism name plate.

Extra features / accessories

The following extra features can be obtained for an additional charge:
(not for 220 x 290 x 70 mm boxes)

- 2nd name plate with plastic insert
- **RSA** anti-vandalism name plate
- Combination lock
- 2-point locking



Casings for face-fixed units



QUADRA ® casing profile



PRISMA ® casing



RS2000 casing profile



Angular sheet casing, only available in V4A stainless steel.



Angular sheet casing with projection, only available in V4A stainless steel.



CONVEX casing, only available in V4A stainless steel.

Stands and frames for free-standing units



Oval tubular stands



Rectangular tubular stands



Oval tubular frame



Rectangular tubular frame



Round tubular frame



60 mm round tubular stand



PRISMA ® casing and frame



RS2000 casing profile and frame



CONVEX casing, only available in V4A stainless steel



TETRO casing and frame



Model Group 10

Units with vertical mail boxes

Numerous benefits come with using RENZ vertical mail box units. A full range of colours and designs are available.





Fig. 11/1 Box format 260 x 330 x 100 and 370 x 330 x 145 mm with **RS50** and **RSA**, bell and intercom box of special design, inscription box, 40 x 48 mm aluminium profile plaster frame. Letter Plates 230 x 33 mm or 335 x 50 mm.



Fig. 11/2 Box format 370 x 330 x 145 mm, with **RS50** and **RSA**, PRISMA plaster frame. Letter plates 335 x 50 mm.



Fig. 11/3 Box format 370 x 330 x 145 mm, with **RS50** and **RSA**, RS3000 aluminium radius-profile plaster frame. Letter plates 335 x 50 mm.



Fig. 11/4 Box format 370 x 330 x 145 mm, with **RS50** and **RSA**, inscription box, V4A stainless steel angular plaster frame. Letter plates 335 x 50 mm.

Model Group 10

Units with vertical mail boxes.
Face-fixed.



Fig. 12/1 Box format 260 x 330 x 100 mm, QUADRA aluminium casing profile fitted on all 4 sides. Letter plates 230 x 33 mm.



Fig. 12/2 Box format 370 x 330 x 145 mm, with **RS50** and RS2000 aluminium casing profile. Letter plates 335 x 33 mm.



Fig. 12/3 Box format 370 x 330 x 145 mm, with **RS50** and PRISMA casing. Letter plates 335 x 50 mm



Fig. 12/4 Box format 370 x 330 x 100 mm, with **RSA**, and V4A stainless steel sheet casing. Letter plates 335 x 33 mm.

Model Group 10

Units with vertical mail boxes.
Free-standing.



Fig. 13/1 Box format 370 x 330 x 145 mm, with **RS50**, RS2000 aluminium casing profile and 105 x 45 mm oval tubular stand. Letter plates 335 x 50 mm



Fig. 13/2 Box format 370 x 330 x 145 mm, with **RS50**, inscription box, PRISMA casing and frame. Letter plates 335 x 50 mm.



Fig. 13/3 Box format 370 x 330 x 145 mm, with **RS50** and **RSA**, 2nd name plate, inscription box, V4A stainless steel PRISMA casing and frame. Letter plates 335 x 50 mm.



Fig. 13/4 Box format 370 x 330 x 100 mm, QUADRA aluminium casing profile fitted on all 4 sides and 80 x 40 mm steel rectangular tubular frame. Letter plates 335 x 33 mm.

Model Group 13

Horizontal mail boxes.

Select and combine any of the nine different basic formats and extra large boxes of the business series with angular or radius casing profiles.

Mail boxes



Box: 260 x 110 x 385 mm
EN 13724
Letter plate 230 x 33 mm



Box: 260 x 220 x 385 mm
EN 13724
Letter plate 230 x 33 mm



Box: 260 x 330 x 385 mm
EN 13724
Letter plate 230 x 33 mm



Box: 300 x 110 x 385 mm
EN 13724
Letter plate 265 x 33 mm



Box: 300 x 220 x 385 mm
EN 13724
Letter plate 265 x 33 mm



Box: 300 x 330 x 385 mm
EN 13724
Letter plate 265 x 33 mm



Box: 370 x 110 x 270 mm
EN 13724
Letter plate 335 x 33 mm



Box: 370 x 220 x 270 mm
EN 13724
Letter plate 335 x 33 mm



Box: 370 x 330 x 270 mm
EN 13724
Letter plate 335 x 33 mm



Business series
Box: 520 x 660 x 270 mm
EN 13724

Plaster frame for flush-fixed units



Corner profile plaster frame



RS3000 radius-profile plaster frame



RS3100 radius-profile plaster frame



PRISMA® plaster masking frame



RS2000, RS4000, RS4100, PRISMA®, QUADRA® as wall section fitting



CONVEX® plaster frame, only available in V4A stainless steel

The standard models

Standard version:

- Material: galvanised sheet steel
- 10-year guarantee against rusting
- High-grade cylinder locks
- Deep drawn doors (not for the business series)
- Powder coating
- Aluminium profile letter plate with sound reducing rubber section

The aluminium models

Instead of the sheet steel door, this item is fitted with an anodized aluminum door

The stainless steel models

Standard version:

- Casing galvanized sheet steel, grey aluminium RAL 9007 coated
- Door and letter plate manufactured from V4A stainless steel.

Exclusive version:

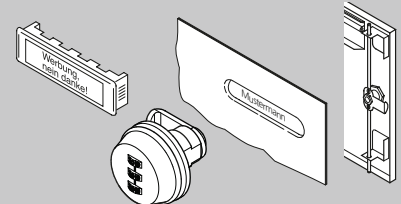
- Casing, door and letter plate manufactured from V4A stainless steel.

Both versions are fitted with an increased security cylinder lock. The standard name plate is plastic. RENZ recommends the use of the **RSA** anti-vandalism name plate

Extra features / accessories

The following extra features can be obtained for an additional charge:

- 2nd name plate with plastic insert
- Newspaper plate for large mail deliveries (over 220 mm in height)
- **RSA** anti-vandalism name plate
- 3- point locking
- Combination lock



Casings for face-fixed units



Angular sheet casing



Angular sheet casing with projecting



QUADRA® casing



PRISMA® casing



RS4000 radius casing



RS4100 radius casing



Square corner casing



Trapezoidal casing



RS5000 casing

Stands and frames for free-standing units



105 x 45 mm oval tubular stand



160 x 55 mm oval tubular stand



105 x 45 mm oval tubular stand



160 x 55 mm oval tubular stand



80 x 40 mm rectangular tubular stand



80 x 40 mm rectangular tubular stand



60 mm round tubular stand



60 mm round tubular stand



PRISMA® casing and frame



TETRO casing and frame with a flat roof



TETRO casing and frame with a sloped roof



Model Group 13

Units with horizontal mail boxes.

Sufficient space for the mail to lie in the bottom of the box. Because of the flat horizontal box design a large number of boxes can be fitted in a relatively small area.





Fig. 17/1 Box format 300 x 330 x 385 mm, with **RSA**, angular casing with projection, and 80 x 40 mm rectangular tubular stand, completely manufactured from V4A stainless steel. Letter plates 265 x 33 mm.



Fig. 17/2 Box format 300 x 220 x 385 mm with newspaper plate, sheet angular aluminium casing, and 80 x 40 mm rectangular tubular frame. Newspaper plate 265 x 50 mm.



Fig. 17/3 Box format 370 x 220 x 270 mm, TETRO casing and frame fitted with lighting. Letter plates 335 x 33 mm.



Fig. 17/4 Box format 300 x 110 x 385 mm, back lit illuminated box, PRISMA casing and stand. Letter plates 265 x 33 mm.

Model Group 13

Units with horizontal mail boxes. Face-fixed.

RENTZ face-fixed units can be easily and quickly mounted on interior and exterior walls.



Fig. 18/1 Box format 300 x 110 x 385 mm, with **RSA**, inscription box and RS4000 radius aluminium casing. Letter plates 265 x 33 mm.



Fig. 18/2 Box format 370 x 110 x 270 mm, with **RSA** and 2nd name plate, inscription box and QUADRA casing. Letter plates 335 x 33 mm.



Fig. 18/3 Box format 370 x 110 x 270 mm, RS4000 radius aluminium casing. Letter plates 335 x 33 mm.



Fig. 18/4 Box format 370 x 110 x 270 mm, with PRISMA casing. Letter plates 335 x 33 mm

Model Group 13

Units with horizontal mail boxes. Flush-fixed.

The depth of the mail box is concealed in the wall to enable large amounts of mail to be deposited. These units can be flush-fixed or partially set in to the wall.



Fig. 19/1 Box format 300 x 220 x 385 mm, with **RSA**, V4A stainless steel angular plaster frame. Letter plates 265 x 33 mm.



Fig. 19/2 Box format 370 x 110 x 270 mm, with **RSA** and 2nd name plate, PRISMA plaster frame. Letter plates 335 x 33 mm.



Fig. 19/3 Box format 370 x 110 x 270 mm, RS4000 casing for use when partially setting the unit in to the wall. Letter plates 335 x 33 mm.



Fig. 19/4 4 Box format 260 x 110 x 385 mm, RS3100 radius-profile aluminium plaster frame. Letter plates 230 x 33 mm.



Model Group 11/12

Slide-through units for entrance side panels.

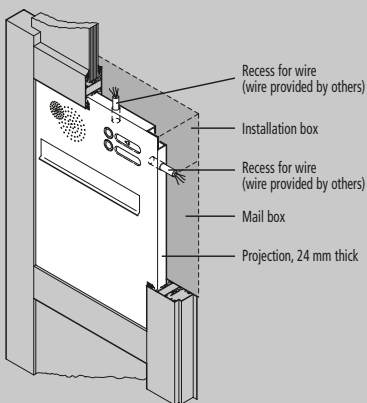
A convenient way to receive your mail - mail inserted from the outside and removed from the inside.



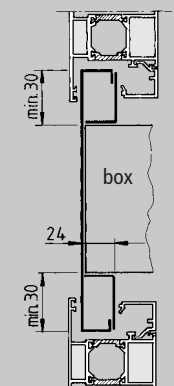
Standard types of fitting.

Units can be supplied for fixing to the existing glazing section or complete with their own glazing section. Steel or stainless steel front plates.

Steel/stainless steel front plates – one-piece without thermal break

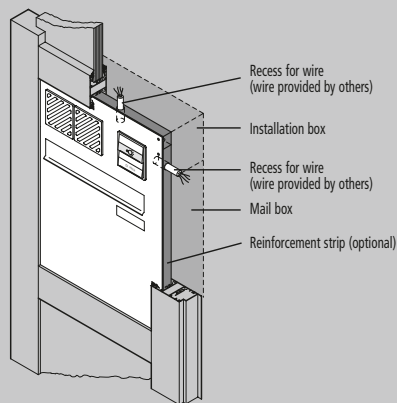


- Front plate, 24 mm thick
- Variable, purpose made
- Stylish design
- Concealed wire (wire provided by others)
- Can also be supplied with **RSA**
- Also available with aluminium closing profile for use with sealed units

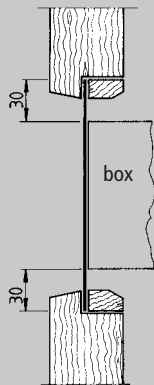


Front plate integrated in door profile

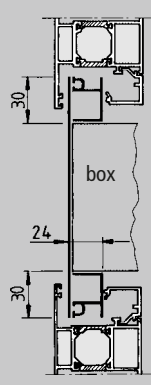
Aluminium front plates one-piece without thermal break



- Front plate 2.5 mm thick, can be supplied with reinforcement strip 24 mm reinforcement strip
- Variable, purpose made
- Stylish design
- Concealed wire only with reinforcement strip (wire provided by others)
- Also available with aluminium closing profile for use with sealed units

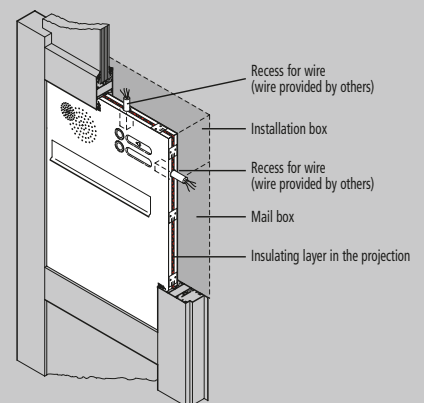


Front plate in the glass rebate of a wooden door

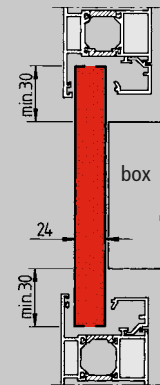


with reinforcement strip integrated in door profile

Steel/stainless steel/aluminium front plates – special one piece with thermal break.



- Front plate, 24 mm thick
- Thermal break
- Variable, purpose made
- Stylish design
- Concealed wire (wire provided by others)
- Can also be supplied with **RSA**
- Also available with aluminium closing profile for use with sealed units
- Front plate can be installed in to the glazing section, and the box can be installed at a later date.



Front plate integrated in door profile

Model Group 11/12

Slide-through units for side panels.



Fig. 22/1 Box format 370 x 330 x 145 mm, with **RS50**, 24 mm steel front plate, with thermal break for mounting in door profile, with **RSA**. Letter plates 335 x 50 mm.



Fig. 22/2 Box format 300 x 330 x 100 mm, 24 mm aluminium front plate with thermal break for mounting in door profile, with metal mounting frame for CCTV camera supplied by others. Letter plates 265 x 33 mm.



Fig. 22/3 Box format 370 x 110 x 270 mm, 24 mm steel front plate, with thermal break for mounting in door profile. Letter plates 335 x 33 mm.



Fig. 22/4 Box format 260 x 110 x 385 mm, 24 mm aluminium front plate, with thermal break for mounting in door profile. Letter plates 230 x 33 mm.



Fig. 23/1 Box format 300 x 110 x 385 mm, 24 mm front plate, with thermal break for mounting in door profile, with **RSA**, completely manufactured from V4A stainless steel. Letter plates 265 x 33 mm.



Fig. 23/2 Box format 260 x 110 mm x 385 mm, 24 mm front plate, with thermal break for mounting in door profile, with **RSA**, completely manufactured from V4A stainless steel. Letter plates 230 x 33 mm.

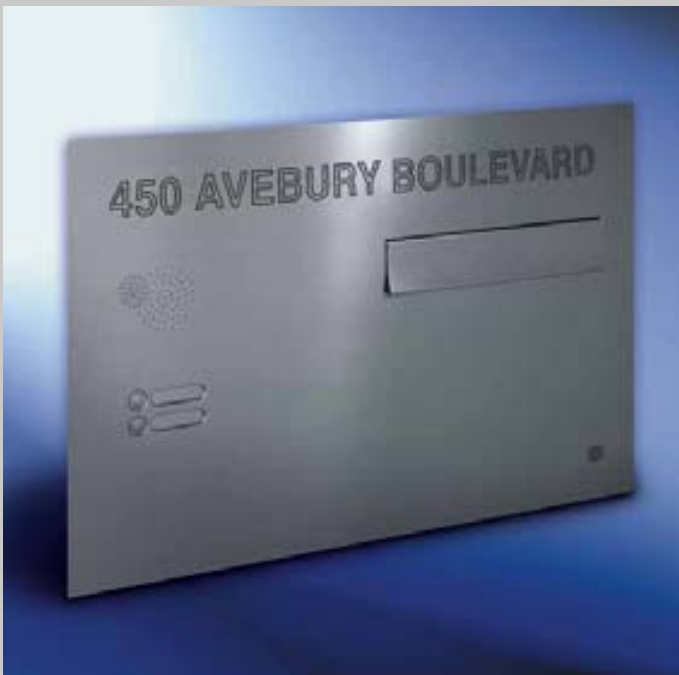


Fig. 23/3 Plate 335 x 50 mm. Box format 370 x 330 x 145 mm, with **RS50**, 24 mm front plate, with thermal break for mounting in door profile, with **RSA**, completely manufactured from V4A stainless steel. Letter plate 335 x 50 mm.



Fig. 23/4 Box format 370 x 330 x 145 mm, with **RS50**, 24 mm front plate, with thermal break for mounting in door profile, with **RSA**, completely manufactured from V4A stainless steel. Letter plates 335 x 50 mm.



Model Group 14

Slide-through units for installation
in the wall.

Angled mail box units with adjustable depth for single or multi occupancy use.

Front plates can be hinged or fixed.





Fig. 25/1 Box format 300 x 110 x 265 - 410 mm, hinged steel front plate with RS1001 radius-profile closing frame with optional engraving. Letter plates 265 x 33 mm.



Fig. 25/2 Box format 300 x 110 x 265 - 410 mm, hinged steel front plate. Letter plates 265 x 33 mm.



Fig. 25/4 Box format 300 x 110 x 265 - 410 mm, hinged steel front plate, with RSA and RS1001 aluminium radius-profile closing frame. Letter plates 265 x 33 mm.



Fig. 25/5 Box format 300 x 110 x 265 - 410 mm, hinged steel front plate, with RSA and cut-out engraving. Letter plates 265 x 33 mm.

Model Group 14

Slide-through units for installation in the wall. Hinged aluminium front plates.



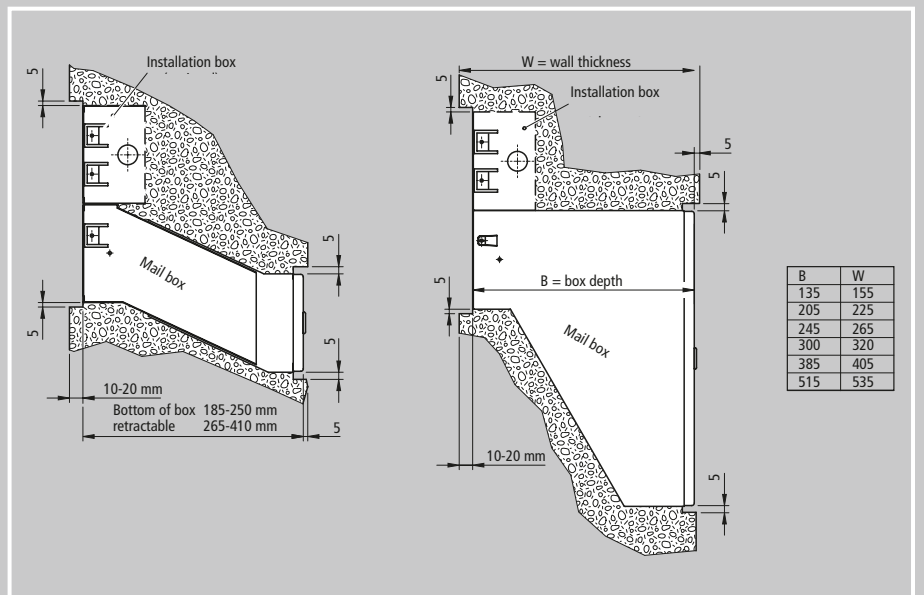
Fig. 26/1 Box format 260 x 110 x 265 - 410 mm, hinged aluminium front plate, with **RSA** and RS1001 aluminium radius-profile closing frame. Letter plates 230 x 33 mm.



Fig. 26/2 Box format 300 x 110 x 265 - 410 mm, hinged aluminium front plate, with **RSA** and RS1001 aluminium radius-profile closing frame. Letter plates 265 x 33 mm.



Hinged aluminium, steel and V4A stainless steel front plates: Electrical installation can be easily carried out: undo screws – open – mount.



Model Group 14

Slide-through units for installation in the wall. Hinged stainless steel front plates.



Fig. 27/1 Box format 300 x 110 x 265 - 410 mm, hinged V4A stainless steel front plate, with **RSA**. Letter plates 265 x 33 mm.



Fig. 27/2 Box format 300 x 110 x 265 - 410 mm, hinged V4A stainless steel front plate, with **RSA**. Letter plates 265 x 33 mm.



Fig. 27/4 Box format 300 x 110 x 265 - 410 mm, hinged V4A stainless steel front plate, with **RSA**. Letter plate 265 x 33 mm.



Fig. 27/3 Box format 300 x 110 x 265 - 410 mm, hinged V4A stainless steel front plate, with **RSA**. Letter plates 265 x 33 mm.



Model Group 15

Commercial line.

The new commercial line mail box units. An individual modern design with up-to-date technology.





Fig. 29/1 V4A stainless steel pillar shaped mail box, two-part slide-through mail box unit with **RSA**, inclined opening 335 x 50 mm, box size 335 x 550 x 140 mm, rear removal door 335 x 440 mm bottom hung with two opening restrictors, fitted with LED lighting, 335 x 215 mm plexiglass panel for engraving as required, pillar height 2000 mm.



Fig. 29/2 V4A stainless steel pillar shaped mail box, one-part mail box unit with **RSA**, inclined opening 335 x 50 mm, box size 335 x 770 x 140 mm, front mail removal door 335 x 440 mm bottom hung with two opening restrictors, fitted with LED lighting and CCTV camera supplied by others, pillar height 2000 mm.



Model Group 15

Residential line.

A new generation of single mail boxes. An individual modern design with up-to-date technology





Fig. 31/1 Lamp - Model Scala



Fig. 31/2 Lamp - Model Volta



Fig. 31/3 Mail Box - Model Scala



Fig. 31/4 Mail Box - Model Volta



Fig. 31/1 V4A stainless steel mail box with **RSA**, Scala lamp and box complete with 295 x 215 mm plexiglass panel for engraving, pillar height 1700 mm.



1 Maximum setting. For use with bulky items like Sunday newspapers.



2 Normal setting. Provides an office with an effective safeguard against unauthorized mail removal.



3 New Year's Eve setting. The mail box can be completely shut when the residence is unoccupied.

Model Group 16

Intercoms and bell systems.

RENZ is not only the right address for your mail, but can also supply bell and intercom systems to match any of the mail box units.



Fig. 32/1 Bespoke bell and intercom box with 20 mm aluminium plaster frame and **RSA** for flush fitting, with drop down front.

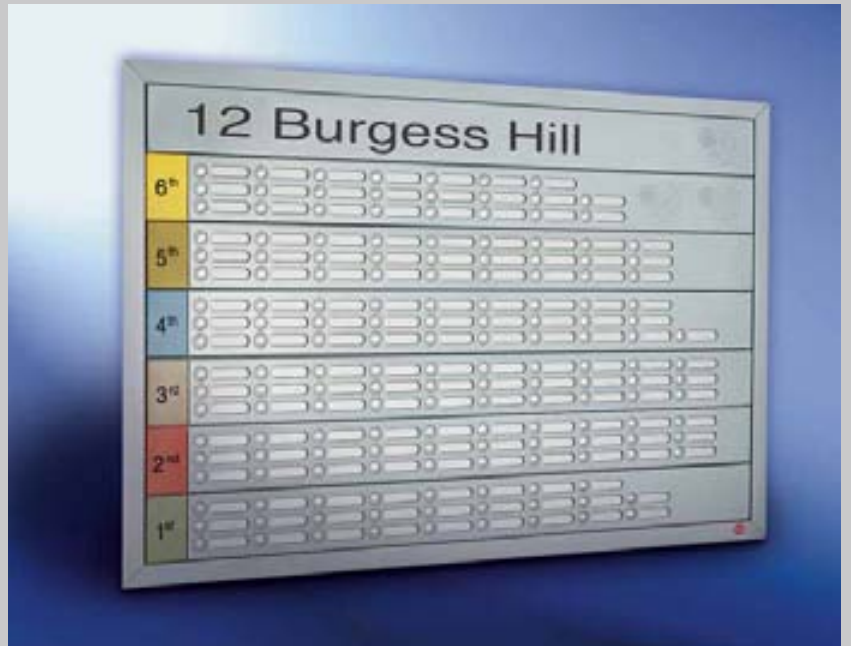


Fig. 32/2 Bespoke bell and intercom box with 40 mm aluminium plaster frame and **RSA**, with rear inspection panel.



Fig. 32/3 Box format 180 x 340 x 70 mm, hinged aluminium front plate with RS1001 aluminium radius-profile closing frame.



Fig. 32/4 Bespoke bell and intercom box, hinged V4A stainless steel front plate with **RSA** and mounting frame for CCTV camera etc. supplied by others.



Fig. 33/1 QUADRA pillar 166 x 1700 x 106 mm consisting of QUADRA aluminium casing profile with **RSA**, camera supplied by others, with rear inspection door.



Fig. 33/2 Box format 370 x 330 x 100 mm, with PRISMA casing and stand, with **RSA**.

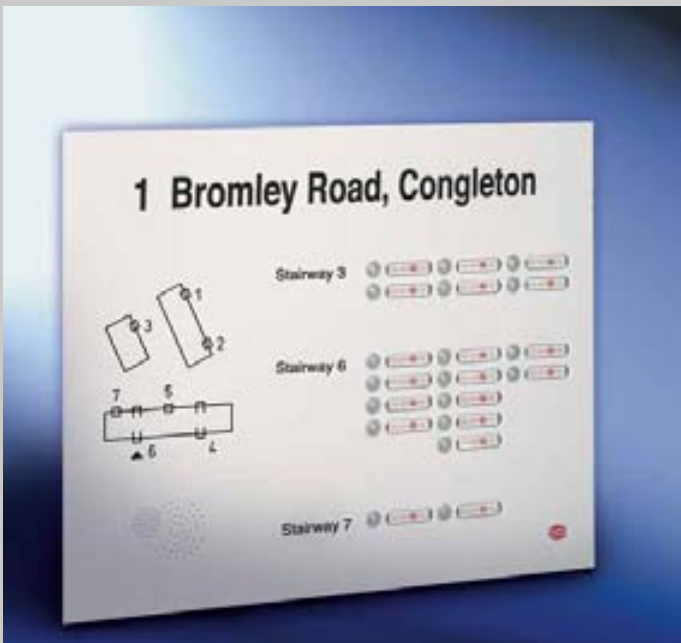


Fig. 33/3 Bespoke box with 24 mm steel front plate and thermal break for mounting in door profile, with **RSA**.



Fig. 33/4 Box format 130 x 330 x 70 mm, hinged aluminium front plate with RS1001 aluminium radius-profile closing frame, with **RSA**.



Fig. 33/5 Box format 130 x 330 x 70 mm, hinged V4A stainless steel front plate with **RSA**.



Model Group 17.

Top opening mail boxes cubico, canto, radio.

One system with 3 forms: cubico, canto and radio. These new mail boxes are of a modern design and are available in powder coated, stainless steel or anodized aluminium and can also be supplied with a matching light unit.





Fig. 35/1 Cubico lamp, body and cover powder-coated sheet steel



Fig. 35/2 Canto lamp, body and cover manufactured from V4A sheet stainless steel

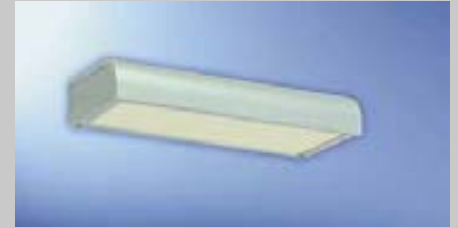


Fig. 35/3 Radio lamp, body powder-coated sheet steel, cover anodized aluminium EV1



Fig. 35/4 Cubico mail box, casing profile, tilting door and letter plate powder-coated sheet steel, **RSA** anti-vandalism name plate. Photograph shows the optional newspaper box fitted behind the mail box. Letter opening 230 x 33 mm. Box 270 x 405 x 118 mm.



Fig. 35/5 Canto mail box, casing profile, tilting door and letter plate manufactured from V4A stainless steel, **RSA** anti-vandalism name plate. Letter opening 230 x 33 mm. Box 270 x 405 x 118 mm.



Fig. 35/6 Radio mail box, casing powder-coated sheet steel, tilting door and letter plate anodized aluminium EV1, **RSA** anti-vandalism name plate. Letter opening 230 x 33 mm. Box 270 x 405 x 118 mm.



Fig. 35/7 Newspaper box, without mounting drill holes for separate mounting

Special newspaper boxes have been developed for the cubico, canto and radio mail boxes. They can be mounted behind the boxes or fixed separately on the wall.

The newspaper box can be fitted for left or right hand insertion but items can only be inserted from 1 side.

Model Group 17

Wall mounted mail boxes for individual use.

The single mail box can now be supplied with bell and intercom units if required.



Order-No. 17-1-17113

Fig. 36/1 Mail box 260 x 330 x 100 mm, with letter plate 230 x 33 mm. (*these models can also be supplied in V4A stainless steel).



EN 13724 Order-No. 17-1-19113

Fig. 36/2 Mail box 370 x 330 x 100 mm, with letter plate 335 x 33 mm. (*these models can also be supplied in V4A stainless steel).



EN 13724 Order-No. 17-1-19213

Fig. 36/3 Mail box 370 x 330 x 145 mm, with letter plate 335 x 33 mm. (*these models can also be supplied in V4A stainless steel).



EN 13724 Order-No. 17-1-19313

Fig. 36/4 Mail box 300 x 440 x 145 mm, with letter plate 265 x 33 mm. (*these models can also be supplied in V4A stainless steel).



EN 13724 Order-No. 17-1-19713

Fig. 36/5 Mail box 370 x 440 x 145 mm, with letter plate 335 x 33 mm. (*these models can also be supplied in V4A stainless steel).



EN 13724 Order-No. 17-1-19716

Fig. 36/6 Mail box 370 x 440 x 145 mm, with letter plate 335 x 33 mm. With **RS50** 2-point-locking. (*these models can also be supplied in V4A stainless steel).



Order-No. 17-1-10114

Fig. 36/7 Mail box with CONVEX design letter lid, Box 270 x 360 x 115.



EN 13724 Order-No. 17-1-10214

Fig. 36/8 Mail box with CONVEX design letter lid, Box 380 x 325 x 115.



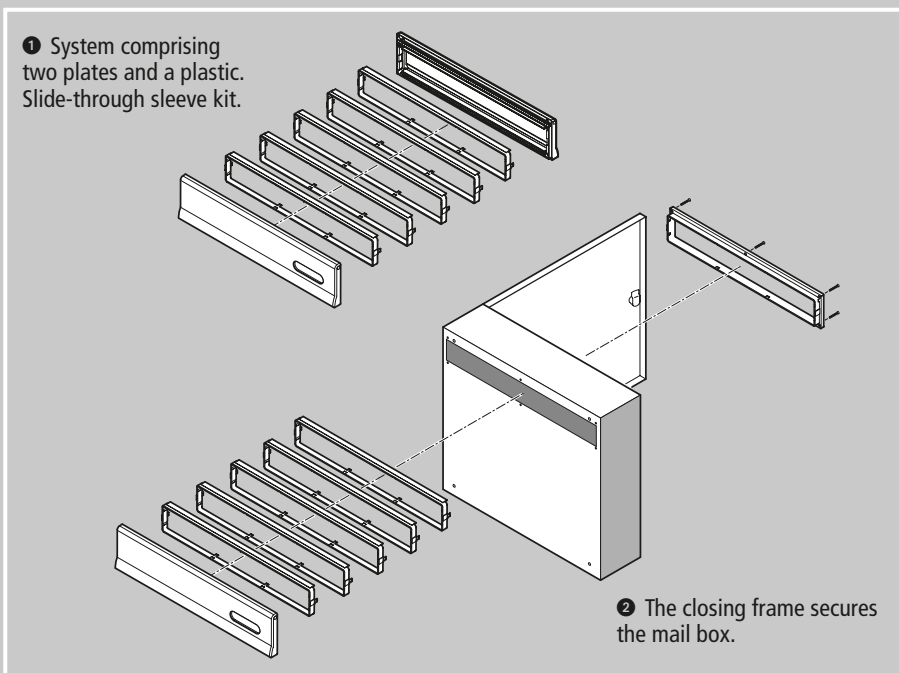
Newspaper box Order-No. 17-1-15004

Fig. 36/9 Newspaper boxes are also available for fitting behind these units.

Single letter plates



Letter plates manufactured from steel, aluminium and V4A stainless steel. The letter plates are fixed from the inside and removal from the outside is not possible. The sleeve kit can be provided for use with most door thicknesses.



Mail box with rear slot for fixing behind a letter plate.



Internal basket for collecting the mail.

Intercom and bell elements



Four screws secure the V4A stainless steel intercom plate with **RSA** anti-vandalism intercom panel. We recommend the use of Torx bolts to stop them being removed.



The bell panels are fitted with the proven **RSA** bell system. The name plates can be engraved and are back lit, completely manufactured from V4A stainless steel. The light symbol is red and is back lit.

Model Group 21/22

Mail distribution units.

These purpose made units are designed for sorting and distributing mail for use in offices, hotels, post offices and banks etc. This range can be manufactured for almost all situations.



Fig. 38/1 Box format 260 x 110 x 385 mm, angular corner steel casing with crank drive operated shutters on the mail insertion side.



Fig. 38/2 Mail removal side.



Fig. 38/3 Box format 260 x 110 x 385 mm, aluminium radius-profile main door frame. Front of the unit opens with 2 doors to allow mail to be inserted which is removed by the mail recipient having an individual key.



Fig. 38/4 Box format 300 x 110 x 385 mm and 2 special size boxes below, aluminium radius-profile main door frame. Front of the unit opens with 2 doors to allow mail to be inserted which is removed by the mail recipient having an individual key.

Model Group 30 Notice Boards.

For all kinds of notices. Notice boards can be wall fixed or free-standing and can be one or two parts. They can also be integrated in to a Model Group 10 mail box unit.



Fig. 39/1 Notice board combined with Model Group 10 mail boxes, RS2000 aluminium casing profile and 105 x 45 mm oval tubular frame.



Fig. 39/2 Notice board. 1 x DIN A4



Fig. 39/3 Notice board. 2 x DIN A4.



Fig. 39/4 Notice board. 4 x DIN A4.



Fig. 39/5 Notice board. 6 x DIN A4.

New EN 13724 standard – important for planners, home owners and apartment block management!

The German 32617 DIN standard has been replaced by EN 13724:

This standard lays down the requirements and tests for openings when posting mail. As a result, the criteria have become considerably more demanding. For the customer, this means greater security in mail being posted.

The **most important requirements** of this European standard are:

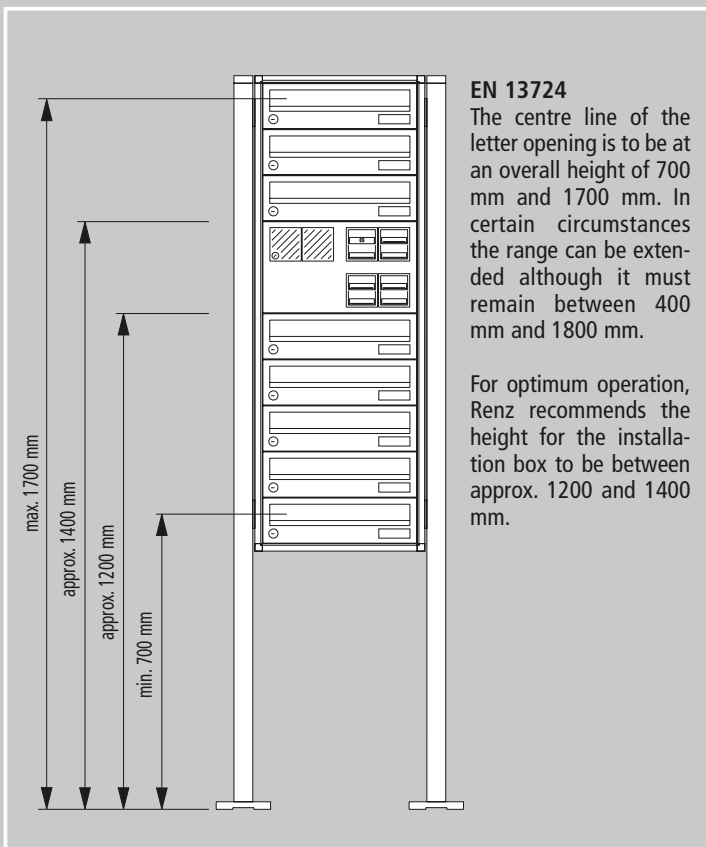
1. Classification of the 4 different types of letter openings (outside, inside, slide-through, door/side wall).
2. Laying down 2 different opening sizes (325-400 mm for horizontal opening and 230-280 mm for longitudinal opening, opening height 30-35 mm).
3. Degree of resistance to corrosion as complying with EN 1670 and to water penetration. (240 hrs – salt spray test)
4. Resistance to burglary due to use of sturdy materials and locks subdivided into 2 security steps.
5. It must be possible to post a test envelope in the C4 format without it being folded or damaged.
6. The centre line of the letter openings is to be between an overall height of 700 mm - 1700 mm; in exceptional circumstances the range can be between 400 mm and 1800 mm.
7. To ensure safety, letter opening components are not to have any sharp edges.
8. To ensure confidentiality, mail boxes are not to be fitted out with windows.
9. Removal security devices to prevent unauthorised removal of mail.
10. A stacked height of min. 40 mm in the C4 format is laid down as the minimum volume.

The techniques to test on the above matters are described in the standard.

We have tested all our products against this standard and marked them appropriately. A few do not comply with this standard. This is because as a result of lack of space in connection with renovations there is often a demand for mail boxes with non-standardised dimensions which are then mounted.

In Germany the unabridged EN 13724 can be obtained from Beuth Verlag GmbH, 10772 Berlin.

Whilst this standard is a recommendation, its incorporation in invitations to tender turns it into an obligation. Please also note that verdicts in legal disputes are always settled on the basis of the current technical engineering status – and thus of the standard in question. There are instances in the past of where one resorted to the standard in force at the time – namely DIN 32617 (see examples of court verdicts).



Advantages of a mail box complying with EN 13724

- No problems with posting the mail
- No creased mail
- No long paths to the post office branch to collect large, non-deliverable mail (e.g. DIN C4 envelope in not large enough boxes)
- No wet mail
- No problems with over-small storage space of a mail box
- Best-ever practical quality from the use of prescribed materials



Extract from the General Terms of Sales and Delivery.

Terms of delivery

Quotations and deliveries are undertaken solely on the basis of our General Terms & Conditions. Arrangements departing from them are only effective if they have been confirmed in writing by ourselves.

Delivery time

Details on the week for delivery signify the despatch date ex works or supply warehouse.

Modifications

We reserve the right to effect minor modifications to the dimensions, accessories arrangement and product design occasioned by technical engineering refinements – given that this is not unreasonable for the purchaser. We reserve the right to effect price alterations up to conclusion of the contract. Price alterations are possible after conclusion of contract under § 2, Section 2 of our General Terms & Conditions.

Standard material thicknesses

Mail box casing profile:

Galvanised: 0.63 mm thick

Stainless steel: 0.7 mm thick.

Mail box doors:

Galvanised: 1.25 mm thick

Aluminium: 1.5 mm thick

Stainless steel: 1.2 mm thick.

Most of our products are protected through industrial property rights and/or registered designs. Reproductions will be prosecuted.

Warranty, guarantee information

In keeping with VOB, there is a 2 year guarantee on non-moving parts of our articles and a 2 year guarantee on electrical parts. In addition, there is a 10 year guarantee against RENZ products rusting.

The guarantee claim ceases to apply:

1. When non-authorized persons/craftsmen have interfered or changed the product and when external components have been used or one's own modifications have been undertaken.

2. In cases of non-observation of the operating/installation instructions or use at variance to the intention e.g. connection to the wrong mains voltage or power type.

Electrical appliances are only to be installed and mounted by a Qualified Electrician!

3. In the case of wear and mechanical damage, e.g.: letter plates, doors.

4. In the case of unsuitable or non-proper use, faulty assembly, natural wear, incorrect or negligent handling, particularly excessive stress, use of unsuitable cleaning agents, electro-chemical or electrical effects.

5. Any modification or repair work undertaken by the purchaser or third parties has the effect of lifting liability for the resulting consequences.

Warranty work does not involve an extension of the guarantee period.

Return consignments

The return of goods and/or replacement is ruled out if no previous consultation and written agreement with our company takes place. For goods returned properly and with our consent, we deduct EUR 25 -- for administrative costs, testing and re-packing from the net amount of the credit note. No goods valued net at under EUR 25 – will be taken back. Damaged goods will not be credited. Custom-made and individual-made products cannot be returned.

Galvan

Galvan is the designation for surface-finished metal plating. To this end, a zinc/aluminium alloy is melted onto the steel surface. The zinc melt contains approx. 5% aluminium and approx. 0.1% alloy. The corrosion-proofing is greater than with hot-dip galvanised parts.

Surface treatment

To maintain the stainless steel, aluminium, anodized or powder-coated/painted surfaces, those parts subject to the weather must be regularly cleaned.

Warm water is suitable together with additives such as household cleaners or things similar. Rub dry afterwards and rub in a car polish. As they corrode the eloxal layer, oxide dissolving or mechanically acting cleaning agents are not to be used.

Units should be cleaned and attended to more often in areas where the air is particularly corrosive (industrial waste gases, salty sea air). Corrosion caused by a rust film is excluded from the warranty.

Stainless steel must be cared for:

We recommend regular cleaning with the usual agents. Tests at our company have shown that makes such as Cillit, Enablit, Stahlfix and 3M have come up with good results as regards cleaning effectiveness, conservation and ease of use.

Under no circumstances are steel wool, steel brushes or things similar to be used for cleaning as they damage the protecting surface and thus enable a rust film to form due to abrasion.

Caution!

Protect aluminium parts from cement, lime, gypsum etc.!

Filiform corrosion

In cases of installations near the coast or in area with corrosive air (industrial waste gases), "filiform corrosion" can arise especially on coated aluminium parts. If this problem is to be feared in view of the place of installation, an alternative (such as V4A stainless steel, aluminium anodized or special pre-treatment of the parts) should be planned. Do ask your adviser from Renz. Inadequate cleaning, and care of the surfaces as well as scratches on the surface coating can favour the spread of filiform corrosion.

Bell contacts

Bell contacts require regular upkeep and care. The contacts should be cleaned at least once a year by a specialist and treated with a contact spray. In so doing, a check should be made as to whether the requisite operating voltage (electrical voltage) is sufficient.

Lock and hinges

Only use resin and acid-free special oil or special care spray for attending to the lock. Oil the hinges twice a year.

Other information

Bracing can arise as a result of transport and mounting the units. Jammed doors can be re-aligned by slackening the nuts at the door hinges.

No liability assumed for printing errors.

Surfaces and colours

Choose the finish of your RENZ products to match your requirements from: semi-gloss V4A stainless steel, anodized aluminium or powder coated aluminium or galvanised steel. RENZ are able to produce their mail boxes in over 200 different colours, a far greater range than most other suppliers.

Standard colours powder-coated¹⁾

Grey aluminium RAL 9007



Traffic white RAL 9016



other colours powder-coated¹⁾

Over 200 colours



in keeping with RAL Colour Register 841- GL (except pearl and luminous tones) as well as RENZ-DB colours.

The printing technique is such that the colours shown in this catalogue can only come close to the original colours and are thus non-binding. Binding for the exact colour is the RAL Colour Register 841-GL or the original RENZ-DB colour specimens. Colours outside of the RAL Colour Register 841-GL on request.

Aluminium/eloxal tones:

EV1 silver anodized



EV1 = GS layer according to EV colours.

EV2, EV3, R12 to R14



EV2 to EV3 = GS layer according to EV colours.
R12 to R14 = Two-stage colour iodization.

Stainless steel

Brushed V4A stainless steel



For operational reasons and on account of material dependency, absolute conformity of colour cannot be realised – even when a colour specimen is provided. That is why we reserve the right to undertake minor colour deviations with anodized material within the light or dark limit given that the deviations are not unreasonable for the purchaser.

RENZ standard colours¹⁾:

Grey aluminium RAL 9007

Traffic white RAL 9016

The Renz standard finish is RAL 9007 (satin finish, gloss level 55-70%). Due to varying powders and coating processes our shade does not necessarily match the RAL 9007 colour of other manufacturers precisely. Please request an original Renz RAL 9007 colour sample when an accurate colour match is required.

RENZ-Farben¹⁾:

Beige RAL 1001

Light ivory RAL 1015

Yellow RAL 1021

Broom yellow RAL 1032

Red orange RAL 2001

Vermilion RAL 2002

Ruby red RAL 3003

Purple red RAL 3004

Red violet RAL 4002

Claret violet RAL 4004

Ultramarine blue RAL 5002

Pigeon blue RAL 5014

Moss green RAL 6005

Fir green RAL 6009

Silver grey RAL 7001

Anthracite grey RAL 7016

Light grey RAL 7035

Window grey RAL 7040

Sepia brown RAL 8014

Grey brown RAL 8019

Cream RAL 9001

Jet black RAL 9005

White aluminium RAL 9006

Pure white RAL 9010

DB 701 (not a RAL colour)

DB 702 (not a RAL colour)

DB 703 (not a RAL colour)

Dark grey 0020 (not a RAL colour)

Dark brown 0029 (not a RAL colour)

Other RAL colours can be supplied

¹⁾ **IMPORTANT MATTER:** The printing technique is such that the colours shown in this catalogue can only come close to the original colours and are thus non-binding. Binding for the exact colour is the RAL Colour Register 841-GL or the original RENZ- DB- colour specimen. Colours outside of the RAL Colour Register 841-GL on request.



The Safety Letterbox Company Ltd
Unit 1B Milland Industrial Estate, Milland Road, Neath, SA11 1NJ

Tel: +44 (0)1639 633 525
Fax: +44 (0)1639 646359

www.renz-mailboxes.co.uk