



Our *passion* is enclosures.

ROLEC profiPLUS 50.

The new suspension system in elegant design.



ROLEC®. Simply better.

profiPLUS 50 the new suspension system.



**The optimum solution
for universal applications.**

ROLEC®. Simply better.

Our *passion* is enclosures.



Individually adaptable:



e.g. SIEMENS



e.g. BECKHOFF



e.g. CRE RÖSLER

profiPLUS 50 the new suspension system.



ROLEC support arm system profiPLUS 50 in elegant design

The word BIONIC describes „patents of nature“. Aircraft designers adopted the landing techniques of birds, the honeycomb structures of bees. Natural solutions are often astonishingly simple, stable and beautiful.

For the pivoting elements of our new support system profiPLUS we took the round, rotating earth as a template and realised an exceptionally stable, diverse and aesthetically pleasing joint as the centre point. A complete suspension system with numerous intelligent components was developed around this centre point. Also with adaptation options for products from leading manufacturers.

Support systems for enclosures and devices are always in view. Their appearance should correlate with the design of modern machines. The technology must enable time-saving assembly with internal cable routing. And the earth's gravitational forces must be countered through simple and straightforward height adjustment. This clever ROLEC profiPLUS solution has been applied for a patent.

Our *passion* is enclosures.

Design and function: Ergonomic, innovative ball joint, aligned with the classic design of modern devices.



Setting and adjustment: profiPLUS enables flexible adjustment with just a single set screw. This ROLEC solution has been applied for a patent.



Individual options: As a result of the integrated set screw system it is possible to set any pivoting range required.



The **spacious cable routing** offers an optimum connection with all interfaces. Sufficient space is available for a range of cables and connectors. A multifunctional connection is assured.



ROLEC

Rotary and inclination coupling

- USB • DVI • Device connector
- HDMI



Connection to
BECKHOFF-Panel

- USB • DVI • Device connector
- CP-Link4



Connection to
SIEMENS-Panel

- USB • DVI • Device connector
- Profinet / Ethernet

Special protective sleeves are integrated into the rotary and inclination couplings to protect the cables.

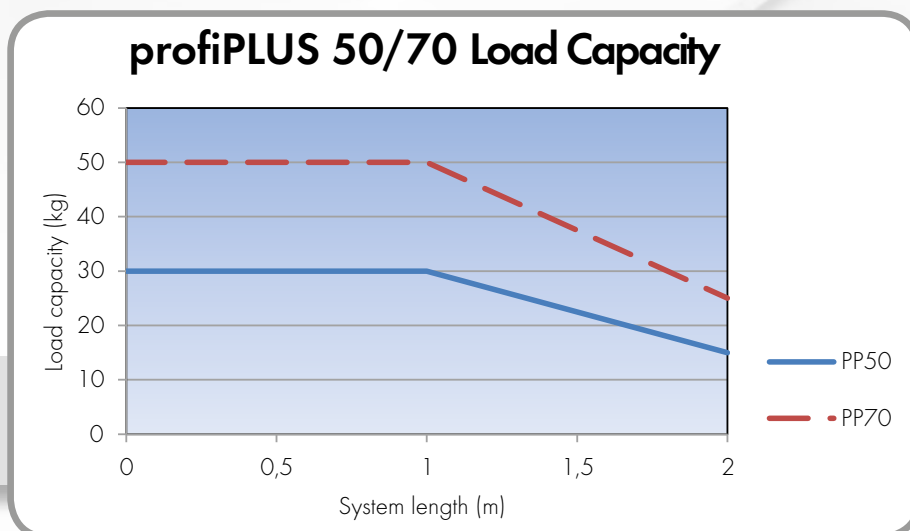
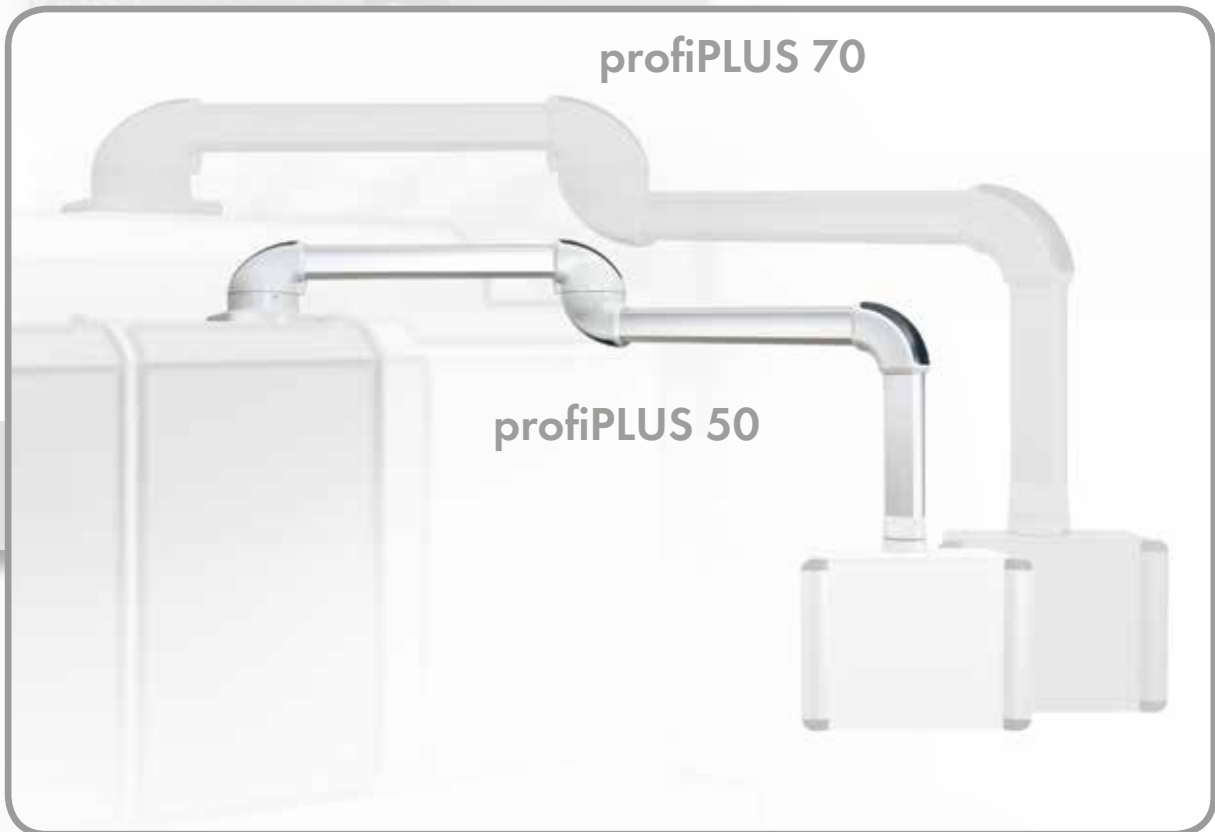


Connection to
CRE RÖSLER-Panel



Our *passion* is enclosures.

profiPLUS 70 for higher loads and even more space for cables and connectors is in preparation and will be available in the second half of 2014.



Item	System components	Mat.-No.	hanging	upright	pivoting	horizontal adjustable	tilting	Support profile * length mm	weight / g	System element length **** mmm
1	Coupling **	142.240.250		+	+			250	1450	64
2		142.240.500		+	+			500	2350	64
3		142.240.750		+	+			750	3250	64
4		142.241.000		+	+			1000	4150	64
5		142.250.250	+		+			250	1450	64
6		142.250.500	+		+			500	2350	64
7		142.250.750	+		+			750	3250	64
8		142.251.000	+		+			1000	4150	64
9	Coupling N	142.260.250		+	+		+	250	2520	168
10		142.260.500		+	+		+	500	3420	168
11		142.260.750		+	+		+	750	4320	168
12		142.261.000		+	+		+	1000	5220	168
13		142.270.250	+		+		+	250	2520	168
14		142.270.500	+		+		+	500	3520	168
15		142.270.750	+		+		+	750	4320	168
16		142.271.000	+		+		+	1000	5220	168
17	Console coupling N **	142.280.250		+	+		+	250	3390	V245/H47
18		142.280.500		+	+		+	500	4290	V245/H47
19		142.280.750		+	+		+	750	5190	V245/H47
20		142.281.000		+	+		+	1000	6090	V245/H47
21		142.290.250	+		+		+	250	3390	V245/H47
22		142.290.500	+		+		+	500	4290	V245/H47
23		142.290.750	+		+		+	750	5190	V245/H47
24		142.291.000	+		+		+	1000	6090	V245/H47
25	Elbow coupling	142.034.000		+	+				1260	V144/H80
26		142.035.000	+		+				1260	V144/H80
27	Elbow coupling N	142.036.000		+	+		+		2370	V248/H80
28		142.037.000	+		+		+		2370	V248/H80
29	Elbow console coupling N	142.038.000		+	+		+		3240	V325/H127
30		142.039.000	+		+		+		3240	V325/H127
31	Wall joint	142.010.000		+	+	+			5350	185
32	Socket joint	142.005.000		+	+	+			4450	80
33	Intermediate joint	142.015.000		+	+				4050	80
34	Elbow	142.020.000	+	+					750	80

Pos.	System components	Mat.-No.	hanging	upright	pivoting	horizontal adjustable	tilting	Support profile * length mm	weight / g	System element length *** mm
35	Base ***	142.030.000	+	+					1350	50
36	Support profile 0,25m	142.000.250							900	
37	Support profile 0,50m	142.000.500							1800	
38	Support profile 0.75m	142.000.750							2700	
39	Support profile 1,00m	142.001.000							3600	
40	Support profile 1,50m	142.001.500							5400	
41	Adapter Beckhoff Ø48	142.000.000	+	+					200	27
42	Adapter Siemens	142.024.000	+	+					110	11

+ Functional characteristic

* Special length available on request

** Delivery with support profile fitted

*** Only vertical construction

**** The cited values are added to the support arm length. This provides the effective system length. (Details are vertical (V) and horizontal (H) for an upright coupling rotating axis respectively)

Technical data

System components:

Die cast aluminium, RAL 7035 light grey

Cover:

Plastic (POM), RAL 7016 anthracite grey

Bellows:

PVC-P, (-30°C to +70°C)
RAL 7016 anthracite grey

Support profile:

Extruded aluminium pressed profile, silver anodised
Fastening thread preformed

Gasket:

Chloroprene (CR), (-30°C to +90°C)

Ingress protection:

IP54 / EN 60529

Optional:

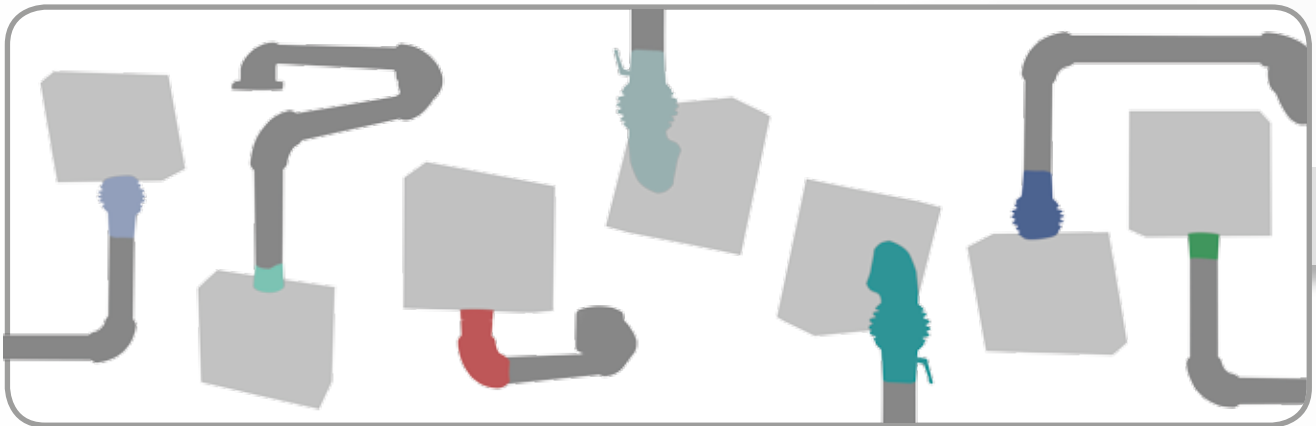
Matching control enclosures:

topVISION, multiVISION, aluFACE und commandCASE

Surface:

Special colours for system components and support profiles

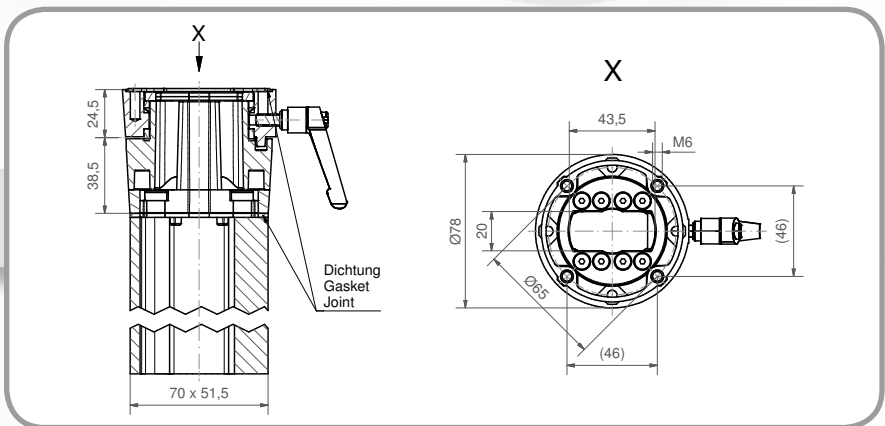
Applied for a patent alignment of the complete system construction in a horizontal direction through a single set screw!



Coupling



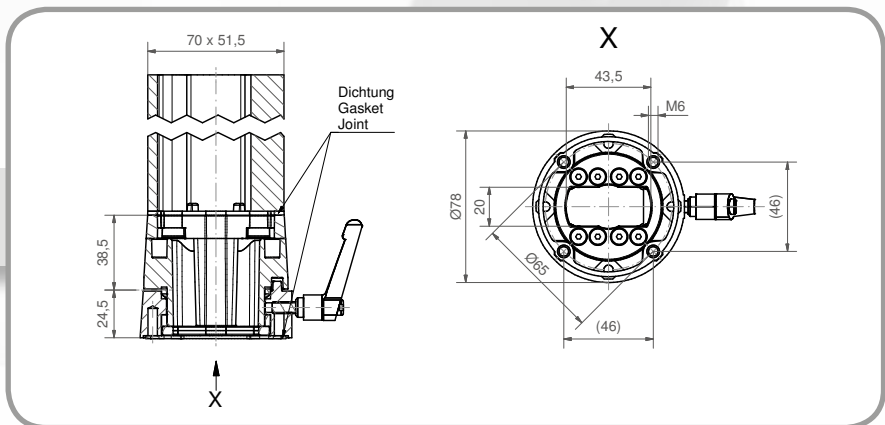
upright



Coupling



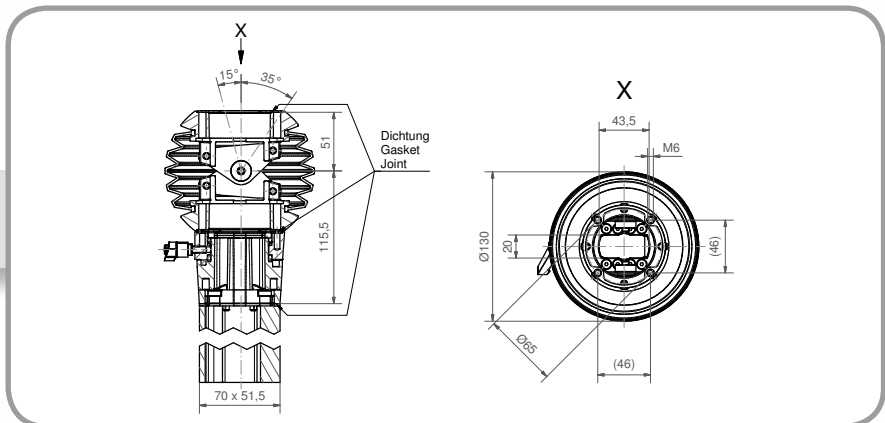
hanging

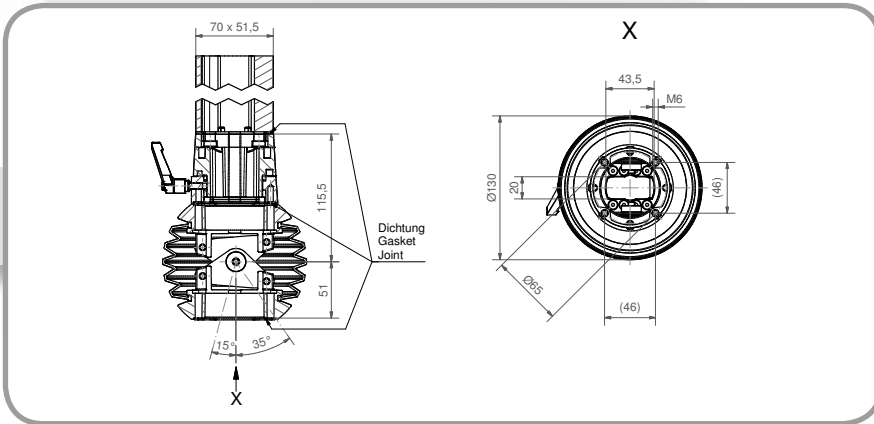


Coupling N



upright

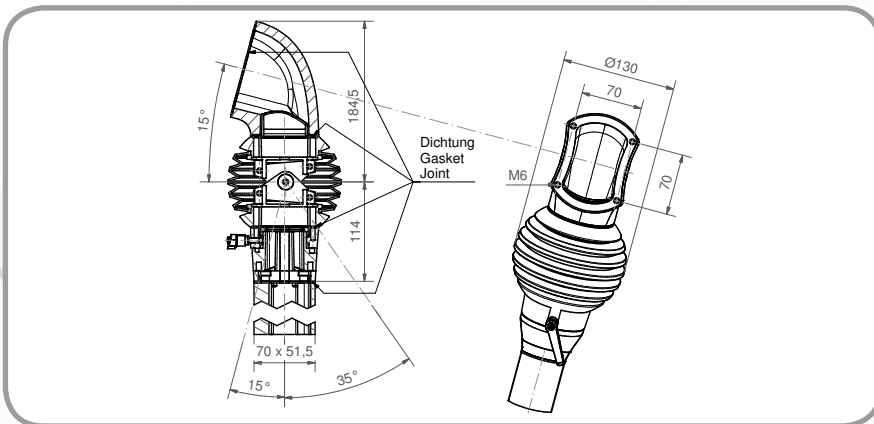




Coupling N



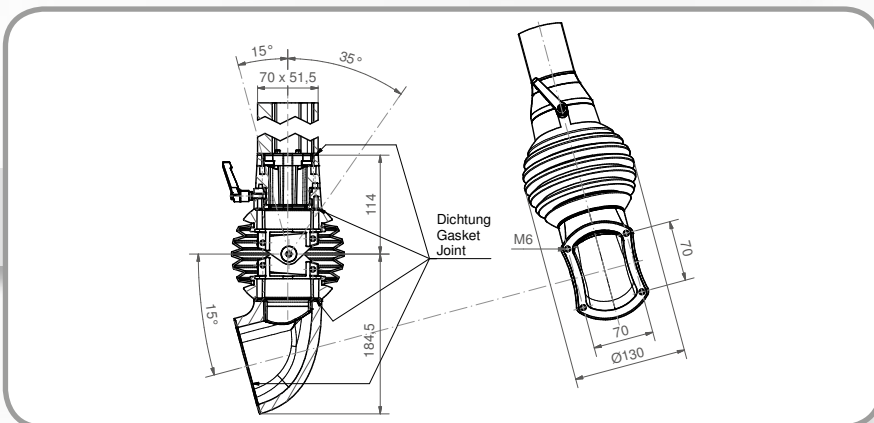
hanging



Console coupling N



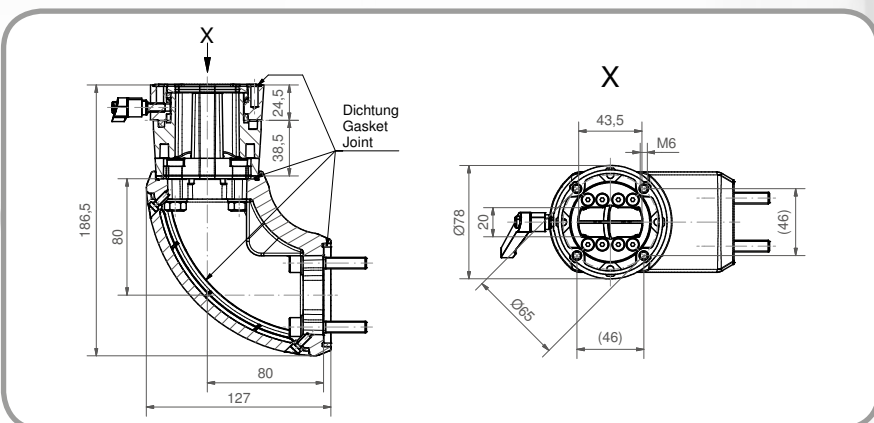
upright



Console coupling N



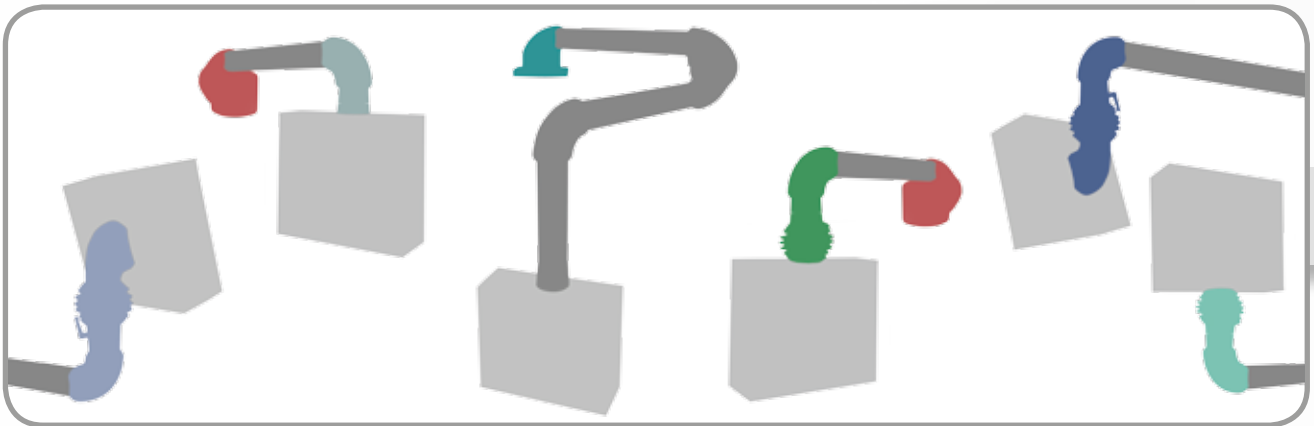
hanging



Elbow coupling



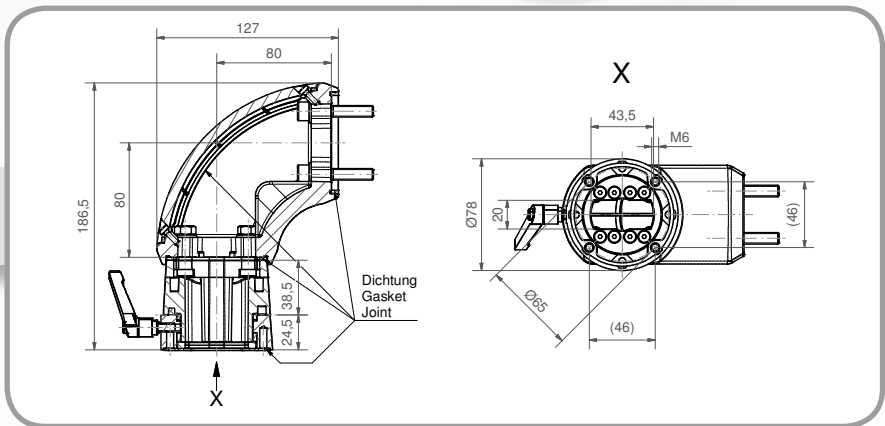
upright



Elbow coupling



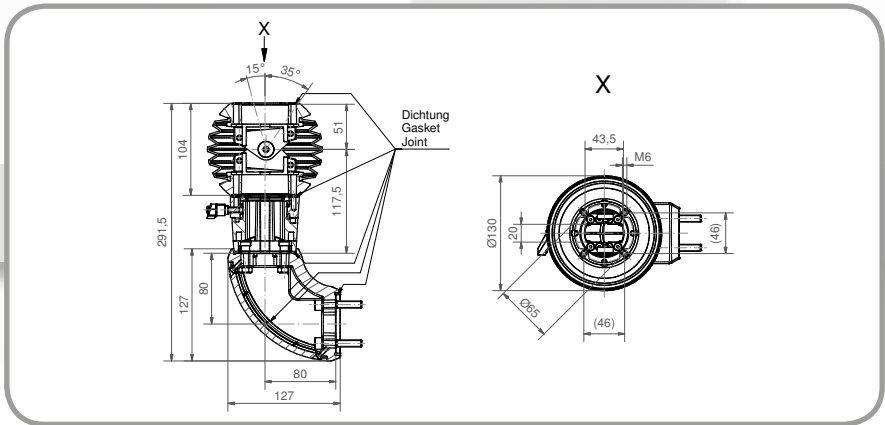
hanging



Elbow coupling N



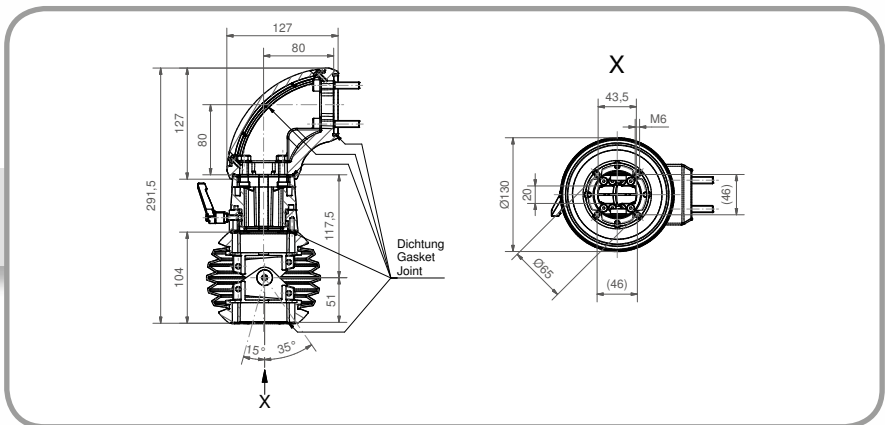
upright



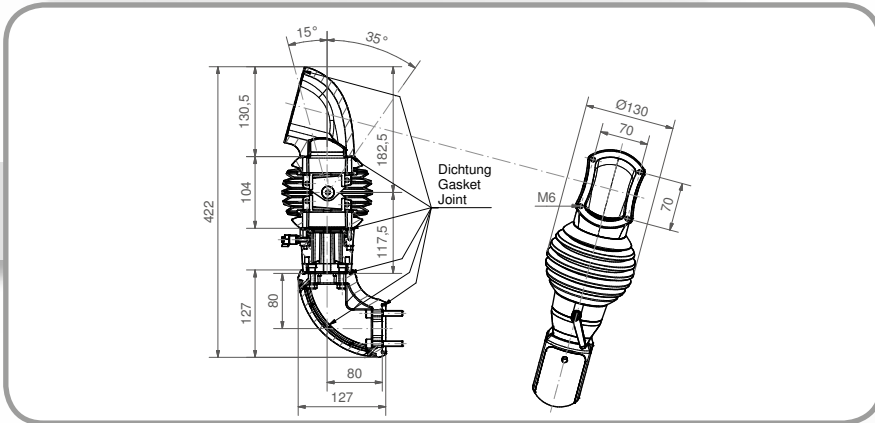
Elbow coupling N



hanging



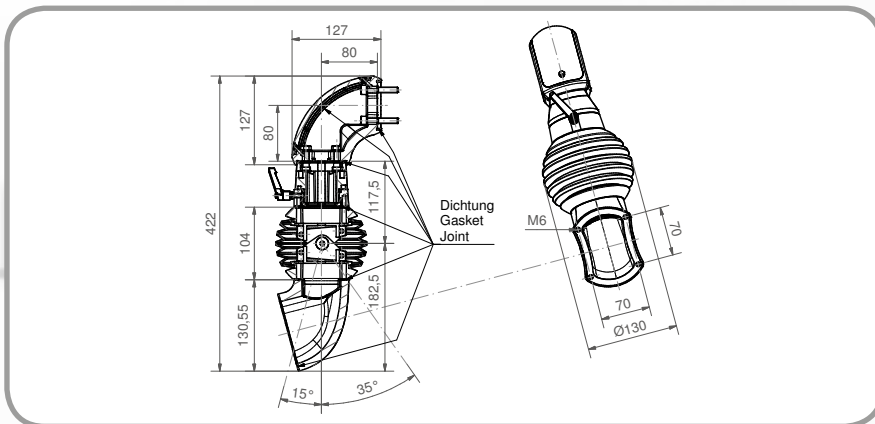
Our *passion* is enclosures.



Elbow console coupling N



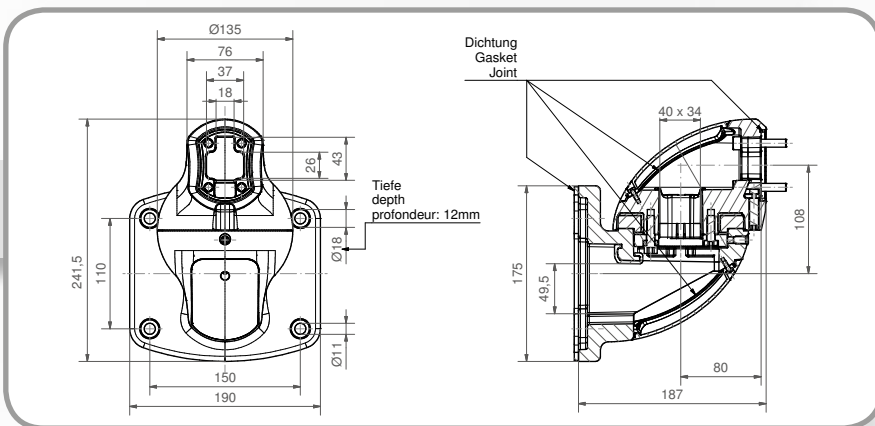
upright



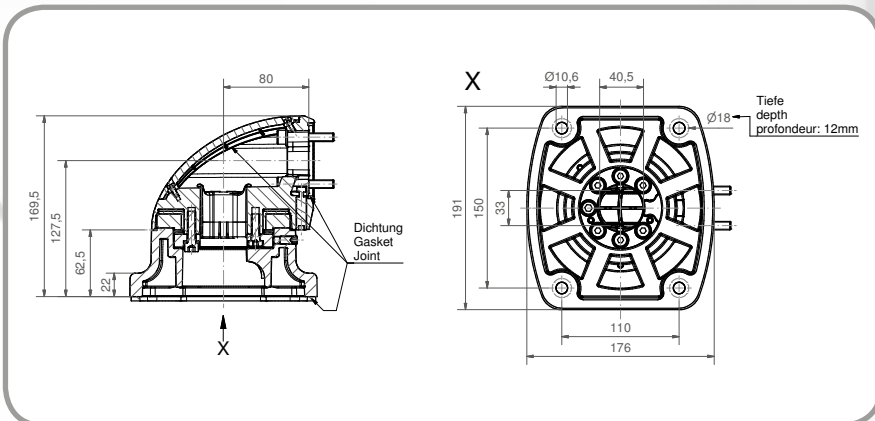
Elbow console coupling N



hanging

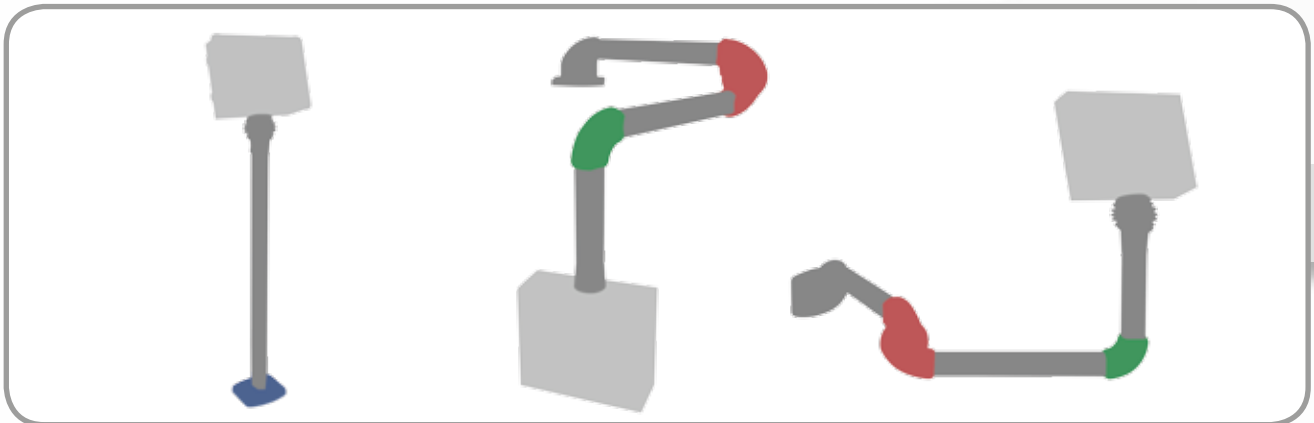


Wall joint

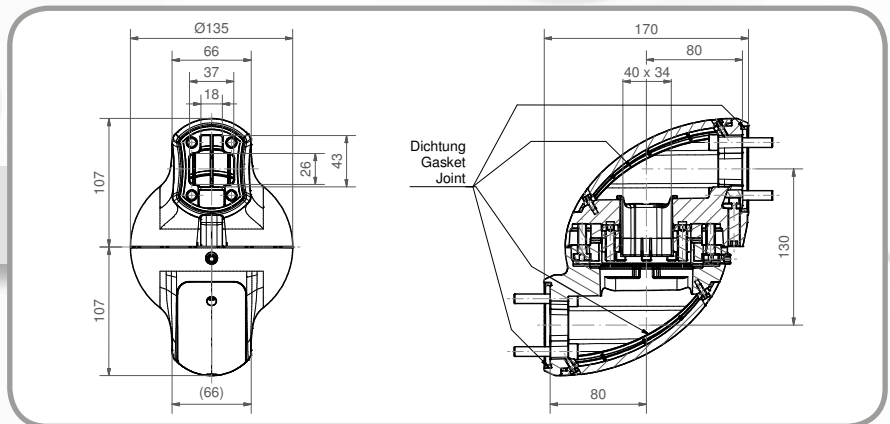


Socket joint

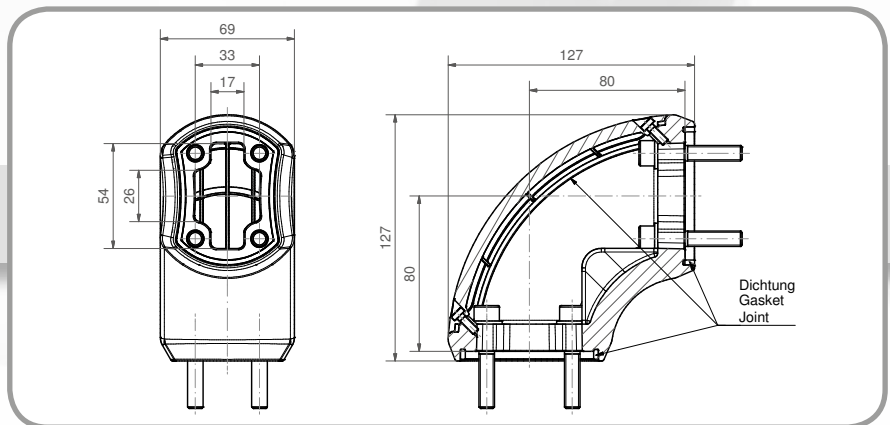




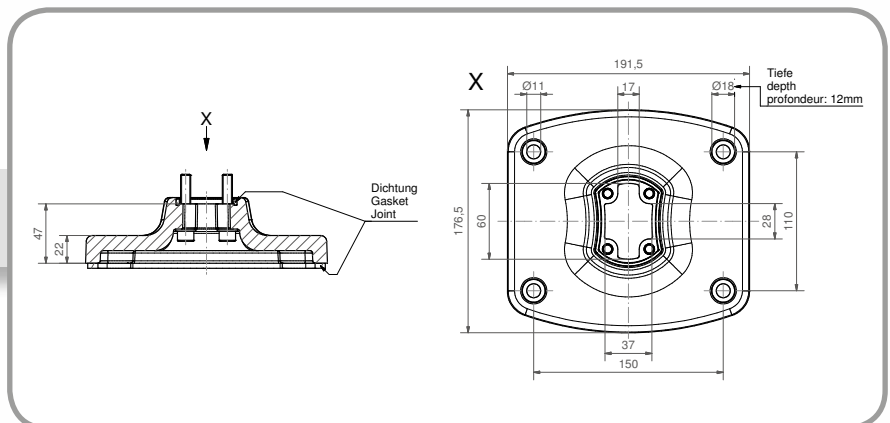
Intermediate joint

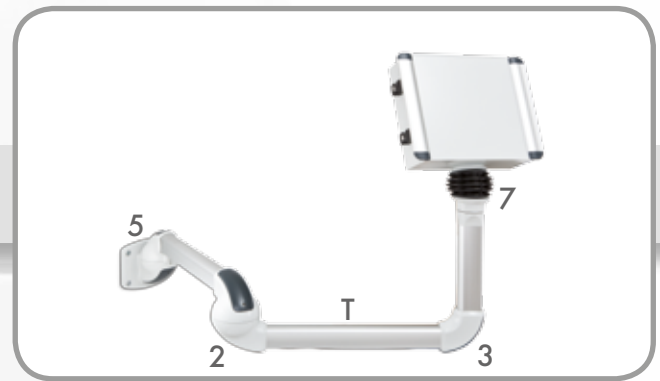
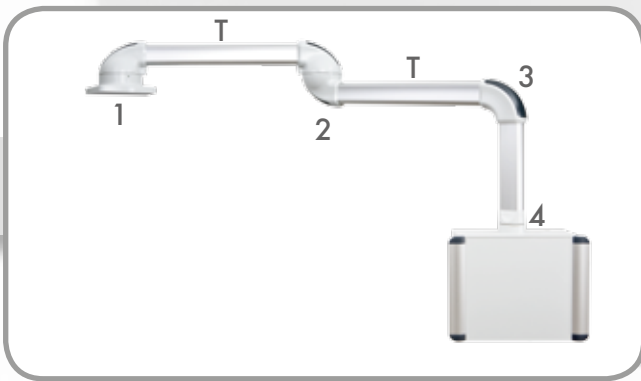


Elbow



Base





- 1 - Socket joint
- 2 - Intermediate joint
- 3 - Elbow
- 4 - Coupling incl. support profile, length is variable
- 5 - Wall joint

- 6 - Elbow coupling
- 7 - Coupling N incl. support profile, length is variable
- 8 - Base
- T - Support profile, length is variable

profiPLUS 50 the new suspension system.



Matching Control Enclosures:



ROLEC®. Simply better.

Trend-setting with high quality enclosures for electro-technology and industrial electronics.

ROLEC

Gehäuse-Systeme GmbH
Kreuzbreite 2
D-31737 Rinteln / Germany

Fon +49 (0) 05751 / 4003-0
Fax +49 (0) 05751 / 4003-50

info@rolec.de
www.rolec.de

