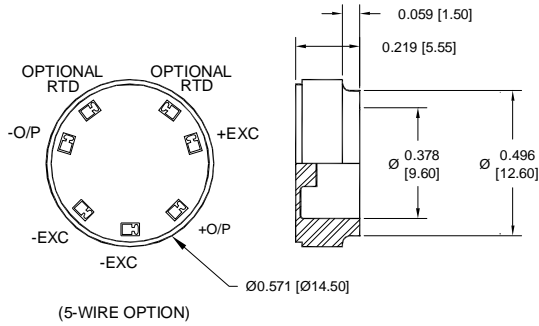
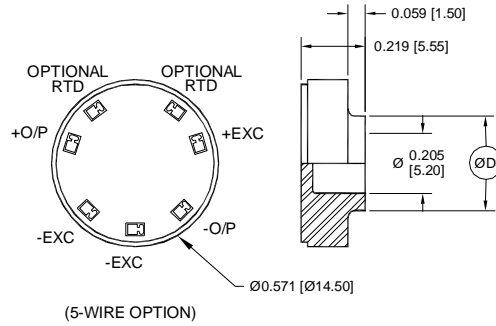


100 THRU 500 psi
[7 THRU 35 bar]



1,000 THRU 15,000 psi
[70 THRU 1035 bar]

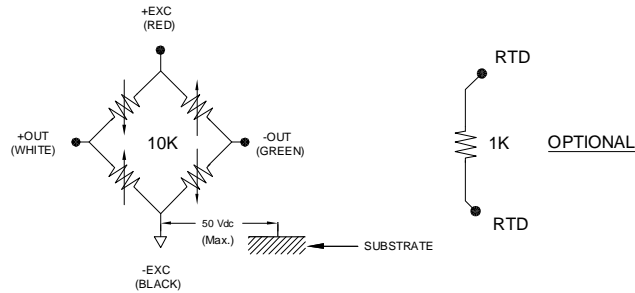


PRESSURE RANGE (psi)	ØD
1,000 TO 10,000	0.323 [8.20]
12,000 AND 15,000	0.362 [9.19]

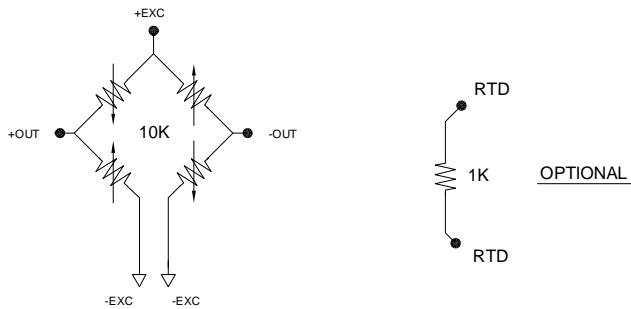
SPECIFICATIONS:

BRIDGE RESISTANCE:	10,000 Ω
BRIDGE CONFIGURATION:	4- WIRE CLOSED BRIDGE (5-WIRE OPTIONAL)
OUTPUT:	2mV/V NOMINAL
ZERO OFFSET:	±0.2 mV/V
EXCITATION RECOMMENDED:	UP TO 20 Vdc
RANGES:	
- LOW RANGE CONFIGURATION:	100, 160, 500psi
- HIGH RANGE CONFIGURATION:	1000, 1500, 3000, 4000, 5000, 6000, 10k, 12k, AND 15k
OPERATING TEMP. RANGE:	-40°C TO 150°C (200°C OPTIMAL)
CALIBRATED TEMP. RANGE:	-40°C TO 125°C
WETTED MATERIAL:	STAINLESS STEEL 15-5 PH (HASTELLOY OPTIONAL)
INSULATION RESISTANCE:	
- OPTION S:	>1000MΩ @ 50 Vdc
- OPTION C:	500 Vac FOR ONE MINUTE
TEMP. EFFECT ON ZERO BALANCE:	
- OPTION 1:	±0.03% FSO/°C
- OPTION 2:	±0.015% FSO/°C (TIGHTER TOLERANCES AVAILABLE)
TEMP. EFFECT ON SPAN:	
- OPTION A:	+0.04% READING/°C
- OPTION B:	±0.01% READING/°C
REPEATABILITY:	<0.02% FSO
LONG TERM STABILITY:	
- OPTION X:	<0.8% FSO PER YEAR
- OPTION Y:	<0.09% FSO PER YEAR (OFFSET SPEC ±0.4 mV/V)
PROOF PRESSURE:	2X
BURST PRESSURE:	6X UP TO 500psi; 5X UP TO 6000psi; 4X UP TO 15k psi
LINEARITY:	
	100psi: <0.5% (0.25% BFSL)
	160psi: <0.3% (0.15% BFSL)
	500 - 1000psi: <0.15% (0.08% BFSL)
	1500 - 3000psi: <0.1% (0.05% BFSL)
	4000 - 15,000psi: <0.05% (0.025% BFSL)
OPTIONAL RTD SENSOR:	Ni RTD, 1000Ω NOMINAL
ELECTRICAL:	HYBRID BOARDS WITH SOLDERABLE PADS

FOUR WIRE OPTION



FIVE WIRE OPTION



ELECTRICAL SCHEMATIC

www.smdsensors.com



STRAIN MEASUREMENT DEVICES

USA
55 Barnes Park North
Wallingford, CT 06492

Europe
Bury Road, Chedburgh,
Bury St Edmunds IP29 4UQ
England

Tel: (203) 294-5800
Fax: (203) 265-0544
sales@smdsensors.com

Tel: +44 (0) 1284 852 000
Fax: +44 (0) 1284 852 371
sales@smdsensors.co.uk

UNLESS OTHERWISE SPECIFIED:

X/X = 1/64"	.XXX = ±.005"
.X = ±.030"	.XXXX = ±.001"
.XX = ±.010"	ANGLES = ±2°

.Xmm = ±0.5mm	
X.XXmm = ±0.3mm	
X.XXXmm = ±0.15mm	ANGLES = ±2°

TITLE:	P571 OUTLINE DRAWING			REV:	3
DWG No.	SMD2495	DATE:	12/10/00	SCALE:	NONE
				DIM:	INCHES [mm]