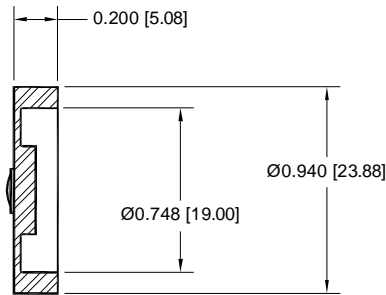
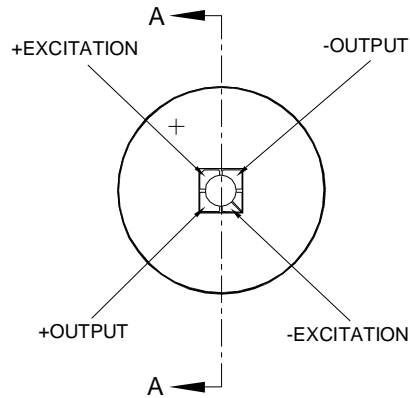


ISOMETRIC VIEWS

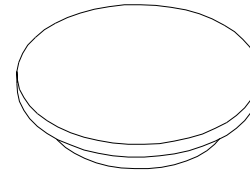
50 TO 500 PSI RANGES



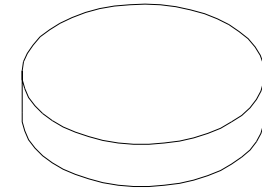
SECTION A-A



1000 TO 6000 PSI RANGES



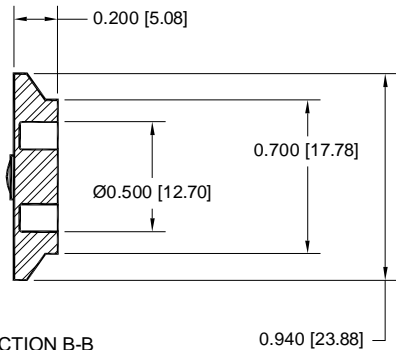
50 TO 500 PSI RANGES



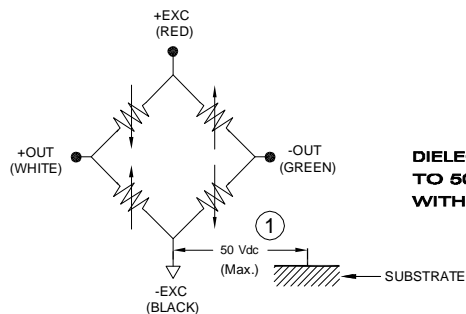
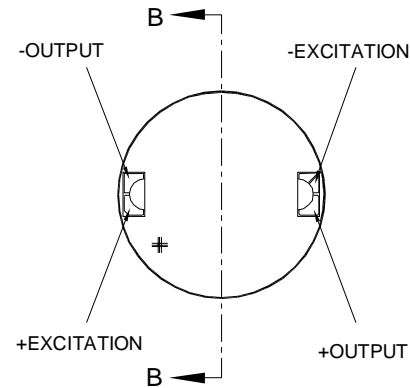
SPECIFICATIONS:

OUTPUT (mV/V):	2
EXCITATION (V ac OR dc):	5 - 20
BRIDGE CONFIGURATION:	
- STANDARD:	FULL BRIDGE, 4 WIRE CLOSED
- OPTIONAL:	FULL BRIDGE, 5 WIRE OPEN
BRIDGE RESISTANCE (Ω):	10,000±2%
INSULATION RESISTANCE:	
- STANDARD:	1,000 MΩ @50 Vdc
- OPTIONAL:	>500 Vac RMS BREAKDOWN
OVER PRESSURE LIMIT, PROOF:	150% OF RANGE
OVER PRESSURE LIMIT, BURST:	400% OF RANGE
REPEATABILITY (% OF SPAN):	<0.03
LONG TERM STABILITY (% OF SPAN):	
- STANDARD:	<0.8 PER YEAR
- OPTIONAL:	<0.06 PER YEAR
TEMP. EFFECT ON ZERO BALANCE:	
- STANDARD:	<0.03% SPAN/°C (<0.017%/°F)
- OPTIONAL:	<0.01% SPAN/°C (<0.006%/°F)
TEMP. EFFECT ON SPAN:	
- STANDARD:	0.025% READING/°C (0.014%/°F)
- OPTIONAL:	0.002% READING/°C (0.0014%/°F)
OPERATING TEMP. RANGE:	
- STANDARD:	-40°C (-40°F) TO 150°C (302°F)
- OPTIONAL:	-40°C (-40°F) TO 200°C (392°F)
- OPTIONAL II:	CONSULT FACTORY FOR HIGHER TEMPS.
CALIBRATED TEMP. RANGE:	-20°C (-4°F) TO 125°C (302°F)
ELECTRICAL TERMINATION:	GOLD SOLDER PADS ON CERAMIC SUBSTRATE
WETTED MATERIALS:	
- SENSOR:	15-5PH VAC CE STAINLESS STEEL COND. H900
- SENSOR OPTIONAL:	HASTELLOY
- FITTING:	15-5PH STAINLESS STEEL COND. A

1000 TO 6000 PSI RANGES



SECTION B-B



ELECTRICAL SCHEMATIC

① DIELECTRIC STRENGTH UP TO 500 V_{ac} AVAILABLE WITH CENELEC OPTION

www.smdsensors.com



UNLESS OTHERWISE SPECIFIED:

X/X = 1/64" .XXX = ±.005"
 .X = ±.030" .XXXX = ±.001"
 .XX = ±.010" ANGLES = ±2°

.Xmm = ±0.5mm
 X.XXmm = ±0.3mm
 X.XXXmm = ±0.15mm ANGLES = ±2°

STRAIN MEASUREMENT DEVICES

USA

55 Barnes Park North
 Wallingford, CT 06492

Tel: (203) 294-5800
 Fax: (203) 265-0544
 sales@smdsensors.com

Europe

Bury Road, Chedburgh,
 Bury St Edmunds IP29 4UQ
 England

Tel: +44 (0) 1284 852 000
 Fax: +44 (0) 1284 852 371
 sales@smdsensors.co.uk

TITLE:	P940 OUTLINE DRAWING			REV:	2
DWG No.	SMD2206	DATE:	10/11/00	SCALE:	NONE
				DIM:	INCHES [mr]