

HZ1 Air Cooled Water Chiller Unit



Safely Controlling Environments in Hazardous Areas



HVAC & Refrigeration Engineering Ltd - Products Division
Unit A | Broadfold Road | Bridge of Don | Aberdeen | AB23 8EE
t (+44) 01224 707080 e info@hvac-refrigeration.co.uk www.hvac-refrigeration.co.uk

HZ1 Air Cooled Water Chiller Unit

HZ1 Air Cooled Water Chiller Unit

Introduction

HZ1 Air Cooled Water Chiller Units are robustly designed and constructed for use in the hazardous offshore, marine and petrochemical environment.

Our team of dedicated, highly skilled engineers and technicians use their extensive knowledge, experience and the latest 3D technology to continually develop and update our designs.

Materials and components are selected to provide resistance to corrosion, long service life and optimum reliability along with standardisation of common components across the range to ensure spare parts are always readily available at competitive prices.

System Description

HZ1 Air Cooled Water Chiller Units are designed and certified to meet ATEX, CAT2/3 or Zone 1/2 standards. The HZ1 unit is a 1 piece packaged design that requires no specialist refrigeration skills to install as there is no external refrigerant piping required and the unit is pre-charged with refrigerant.

Controls are designed to be easy to operate without the need for complicated programming while still maintaining reliable efficient automatic control of water temperature. Only two client interfaces are required for electrical supply and water connection.



Typical Applications

This equipment is suitable for providing chilled water as part of an HVAC system for the following typical applications:

- Accommodation Modules
- LER Modules
- SCR Modules
- Transformer Rooms
- Galley Cooling
- VSD Modules
- Rig Water Main
- Air Handling Units

Options

- Range of cooling capacities from 3 to 350kW
- IEC Zone 1/2 Certification
- ATEX Category 2 Certification
- Other Certification may be available
- Notified Body Type Approval

*For non-hazardous areas units – please refer to our **climarine** range of products*

HZ1 Air Cooled Water Chiller Unit

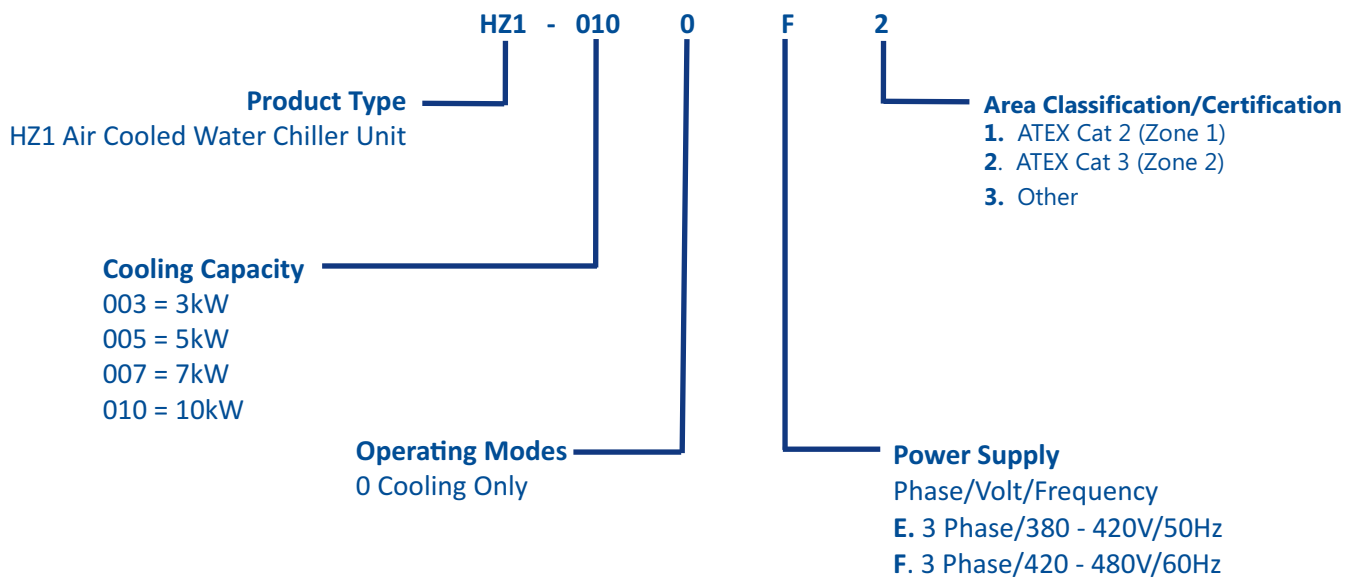
Use of Equipment

The user is responsible for the choice of the type of equipment put in place and must take into account the explosion risk area in which the equipment will operate, checking the classification of the hazardous area and temperature class is suitable.

How to Order

For example

A 10kW unit unit, operating on 440V 3ph 60Hz, ATEX certified for use in Zone 2.



HAZCOOL[®]

HVAC & Refrigeration Engineering Ltd - Products Division
Unit A | Broadfold Road | Bridge of Don | Aberdeen | AB23 8EE
t (+44) 01224 707080 e info@hvac-refrigeration.co.uk www.hvac-refrigeration.co.uk