

# HZ3 Through Wall Air Conditioner



Safely Controlling Environments in Hazardous Areas



HVAC & Refrigeration Engineering Ltd - Products Division  
Unit A | Broadfold Road | Bridge of Don | Aberdeen | AB23 8EE  
t (+44) 01224 707080 e info@hvac-refrigeration.co.uk [www.hvac-refrigeration.co.uk](http://www.hvac-refrigeration.co.uk)

## HZ3 Through Wall Air Conditioner

### HZ3 Through Wall Air Conditioner

#### Introduction

Hazcool HZ3 Through Wall Air Conditioners are robustly designed and constructed for use in the hazardous offshore, marine and petrochemical environment.

Our team of dedicated, highly skilled engineers and technicians use their extensive knowledge, experience and the latest 3D technology to continually develop and update our designs.

Materials and components are selected to provide resistance to corrosion, long service life and optimum reliability along with standardisation of common components across the range to ensure spare parts are always readily available at competitive prices.

#### System Description

The unit is a 1 piece packaged design that requires no specialist refrigeration skills to install as there is no external refrigerant piping required and the unit is pre-charged with refrigerant.

Controls are designed to be easy to operate without the need for complicated programming while still maintaining reliable efficient automatic control of room temperature. Only one client interface is required for electrical supply (and external controls if required).



#### Typical Applications

This equipment is suitable for providing climate control in the following typical applications:

- A60 Pressurised/Modular Buildings
- Wireline Units
- Workshops

#### Options

- Range of cooling capacities from 3 to 7kW
- Electric heating
- IEC Zone 1/2 Certification
- ATEX Category 2/3 Certification
- Other Certification may be available

*For non-hazardous areas units – please refer to our **climarine** range of products*

## HZ3 Through Wall Air Conditioner

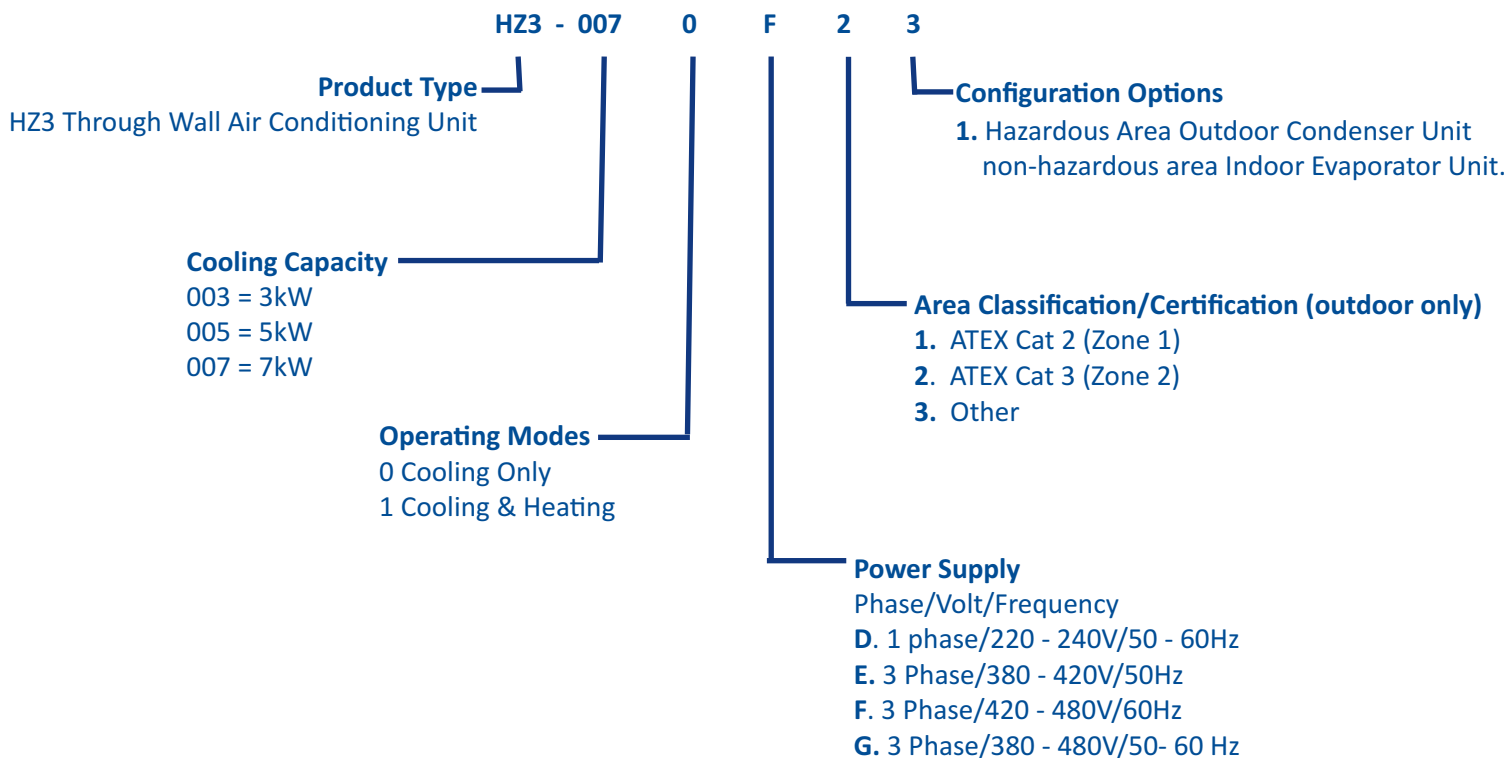
### Use of Equipment

The user is responsible for the choice of the type of equipment put in place and must take into account the explosion risk area in which the equipment will operate, checking the classification of the hazardous area and temperature class is suitable.

### How to Order

#### For example

A Through Wall Air Conditioning Unit at 7kW with no heating, operating on 440V/3ph/60Hz, ATEX certified for use in Zone 2.



# HAZCOOL<sup>®</sup>

HVAC & Refrigeration Engineering Ltd - Products Division  
Unit A | Broadfold Road | Bridge of Don | Aberdeen | AB23 8EE  
t (+44) 01224 707080 e info@hvac-refrigeration.co.uk [www.hvac-refrigeration.co.uk](http://www.hvac-refrigeration.co.uk)