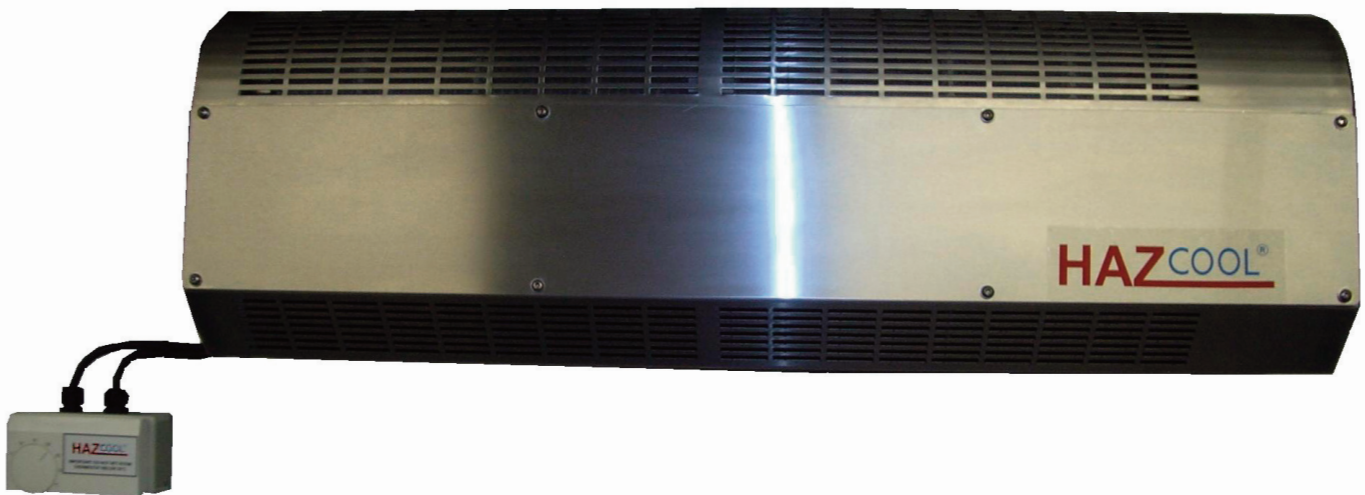


## HZ6 3 Piece Split Air Conditioner



Safely Controlling Environments in Hazardous Areas



HVAC & Refrigeration Engineering Ltd - Products Division  
Unit A | Broadfold Road | Bridge of Don | Aberdeen | AB23 8EE  
t (+44) 01224 707080 e info@hvac-refrigeration.co.uk [www.hvac-refrigeration.co.uk](http://www.hvac-refrigeration.co.uk)

## HZ6 3 Piece Split Air Conditioner

### HZ6 3 Piece Split Air Conditioner

#### Introduction

Hazcool HZ6 Range of 3 Piece Split Air Conditioners are robustly designed and constructed for use in the hazardous offshore, marine and petrochemical environment.

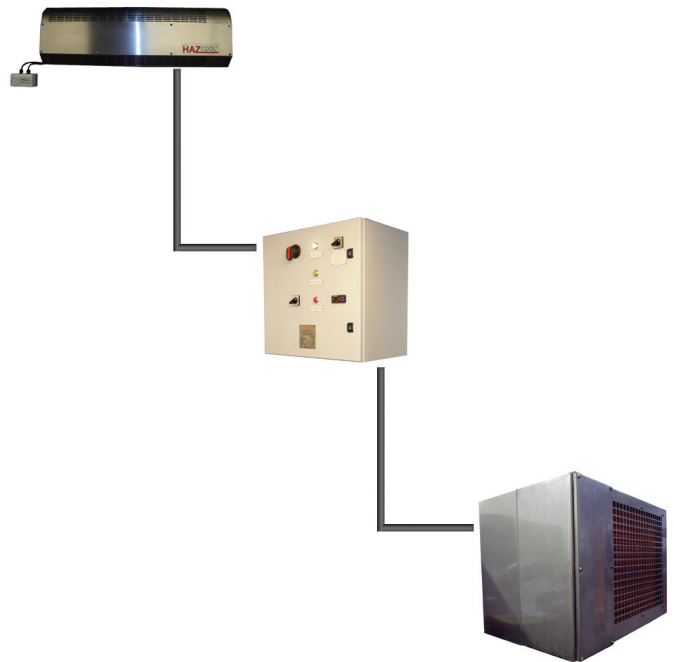
Materials and components are selected to provide resistance to corrosion, long service life and optimum reliability along with standardisation of common components across the range to ensure spare parts are always readily available at competitive prices.

The HZ6 systems are primarily designed to control the indoor temperature of modular/containerised buildings whereby the module interior is separately maintained as a non-hazardous area by means of over-pressurisation. The HZ6 features an ATEX Condenser Unit for location in an external Hazardous Area, a combined Compressor/Control panel enclosure for location in the indoor Non-Hazardous Area and a re-circulating Evaporator Unit, either wall or ceiling mounted also for location in the indoor Non-Hazardous Area.

#### System Description

The configuration options offer versatility in various module layout designs, where the main parts of the system can be located to suit space requirements and availability of locations for positioning equipment. Controls are designed to be easy to operate without the need for complicated programming while still maintaining reliable efficient automatic control of room temperature.

Systems are available in single and three phase configurations. Three phase versions are suitable for use with power supplies ranging from 380 to 480VAC @ 50-60Hz with an integral voltage selector switch. In the event of incorrect phase sequence connection, start up of the system is prevented and a clear indication is provided by a lamp on the control panel fascia.



#### Typical Applications

The HZ6 three piece split system range have been installed to provide climate control in the following;

- Drilling Offices
- Control Rooms
- ROV power/control cabins
- Laboratory modules
- MWD/Mud logging units
- Accommodation modules
- Workshops

#### Options

- Range of cooling capacities from 3 to 10kW
- ATEX Category 2/3 Certification
- Other Certification may be available
- Notified Body Type Approval

# HZ6 3 Piece Split Air Conditioner

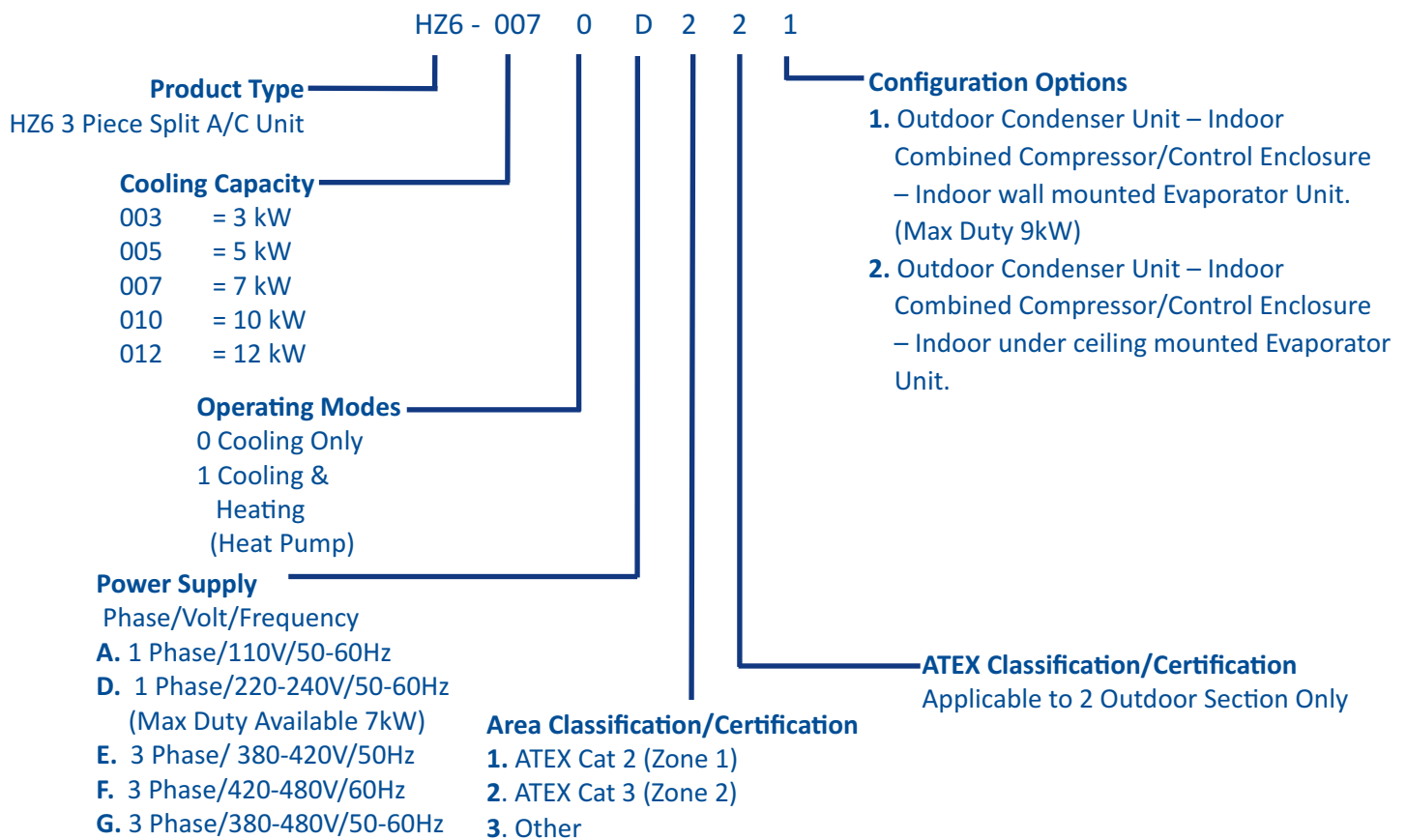
## Use of Equipment

The user is responsible for the choice of the type of equipment put in place and must take into account the explosion risk area in which the equipment will operate, checking the classification of the hazardous area and temperature

## How to Order

For example

A 3 piece split A/C system @ 7kW nominal duty with no heating @ 1 Phase/220-240V/50-60Hz ATEX Certified for use in Zone 2 (outdoor section only) with outdoor condenser unit, indoor compressor/control enclosure and wall mounted evaporator would be as follows;



HVAC & Refrigeration Engineering Ltd - Products Division  
Unit A | Broadfold Road | Bridge of Don | Aberdeen | AB23 8EE

t (+44) 01224 707080 e info@hvac-refrigeration.co.uk [www.hvac-refrigeration.co.uk](http://www.hvac-refrigeration.co.uk)