

HZ8 Air Cooled Condensing Unit



Safely Controlling Environments in Hazardous Areas



HVAC & Refrigeration Engineering Ltd - Products Division
Unit A | Broadfold Road | Bridge of Don | Aberdeen | AB23 8EE
t (+44) 01224 707080 e info@hvac-refrigeration.co.uk www.hvac-refrigeration.co.uk

HZ8 Air Cooled Condensing Unit

HZ8 Air Cooled Condensing Unit

Introduction

Hazcool HZ8 Air Cooled Condensing Units are robustly designed and constructed for use in the hazardous offshore, marine and petrochemical environments.

Our team of dedicated, highly skilled engineers and technicians use their extensive knowledge, experience and the latest 3D technology to continually develop and update our designs.

Materials and components are selected to provide resistance to corrosion, long service life and optimum reliability along with standardisation of common components across the range to ensure spare parts are always readily available.

System Description

The unit has its base frame and enclosure panels fabricated from 316L Stainless Steel with all compressors, refrigeration components etc. enclosed in the lower section. Ambient air is drawn in through perforated panels, across the flatbed condenser and discharged vertically.

The condensing unit features an integrated ATEX Certified control panel that will automatically run the condensing unit on receiving a start signal from the client's temperature controller.

Controls are designed to be easy to operate without the need for complicated programming while still maintaining reliable and efficient automatic temperature control.



Typical Applications

This equipment is suitable for providing climate control in the following typical applications:

- Accommodation Modules
- LER Modules
- SCR Modules
- Switch Rooms
- Transformer Rooms

Options

- Range of cooling capacities from 3 to 300kW
- Electric heating
- IEC Zone 1/2 Certification
- ATEX Category 2/3 Certification
- Other Certification may be available
- Notified Body Type Approval

*For non-hazardous areas units – please refer to our **climarine** range of products.*

HZ8 Air Cooled Condensing Unit

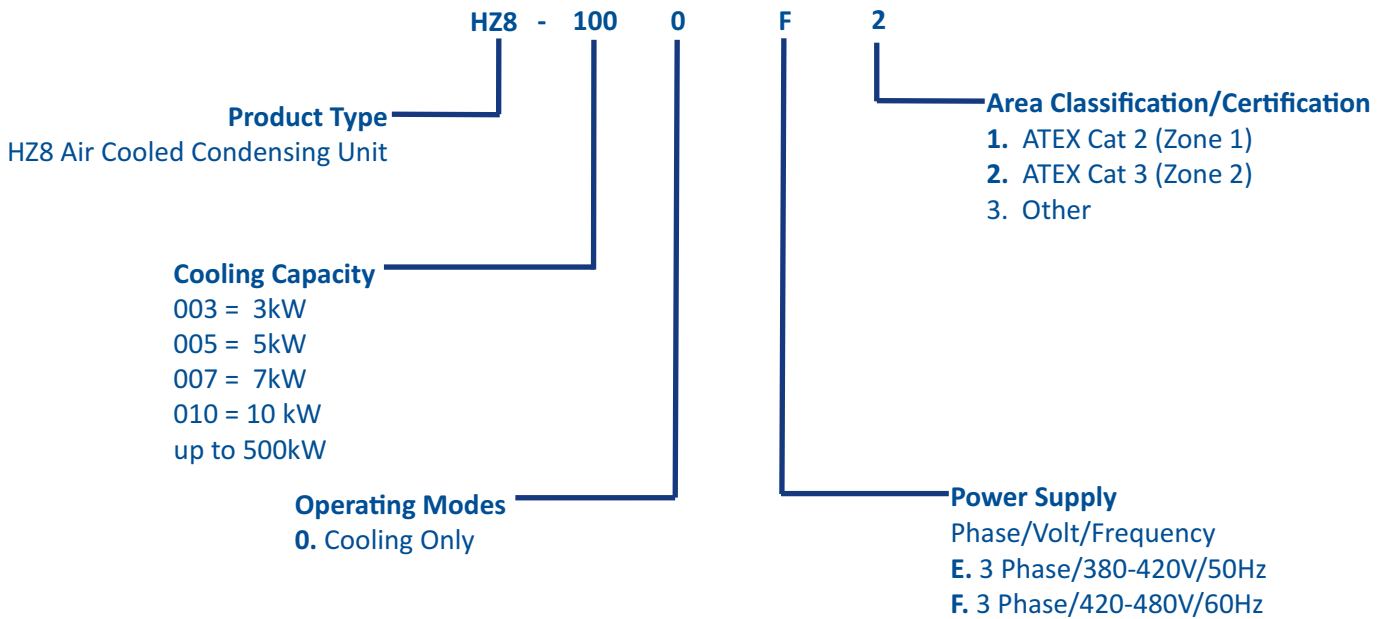
Use of Equipment

The user is responsible for the choice of the type of equipment put in place and must take into account the explosion risk area in which the equipment will operate, checking the classification of the hazardous area and temperature class is suitable.

How to Order

For example

An Cooled Condensing Unit @ 100kW, operating on 3ph, 440V, 60Hz ATEX certified for use in a Zone 2 environment.



HVAC & Refrigeration Engineering Ltd - Products Division
Unit A | Broadfold Road | Bridge of Don | Aberdeen | AB23 8EE
t (+44) 01224 707080 e info@hvac-refrigeration.co.uk www.hvac-refrigeration.co.uk