

# HZ9 Refrigeration System



Keeping personnel and equipment cool in hazardous areas



HVAC & Refrigeration Engineering Ltd - Products Division  
Unit A | Broadfold Road | Bridge of Don | Aberdeen | AB23 8EE  
t (+44) 01224 707080 e info@hvac-refrigeration.co.uk [www.hvac-refrigeration.co.uk](http://www.hvac-refrigeration.co.uk)

## HZ9 Refrigeration System

### Introduction

Hazcool HZ9 Refrigeration Systems are robustly designed and constructed for use in the harsh offshore/marine environment.

We use our extensive experience along with feedback from our clients and service technicians in the field to continually develop and update our designs.

Materials and components are selected to provide resistance to corrosion, long service life and optimum reliability along with standardisation of common components across the range to ensure spare parts are always readily available at competitive prices.

### System Description

Hazcool HZ9 Refrigeration Systems are designed and certified to meet ATEX, CAT2/3 or Zone 1/2 standards. The HZ9 unit is a 1 piece packaged design that requires no specialist refrigeration skills to install as there is no external piping required and the unit is pre-charged with refrigerant.

Controls are designed to be easy to operate without the need for complicated programming while still maintaining reliable efficient automatic control of unit temperature. Only one client interface is required for electrical supply.



### Typical Applications

This equipment is suitable for providing climate control in the following typical applications:

- Refrigerated Food Stores
- Frozen Food Stores
- Cold Stores

### Options

- Range of cooling capacities from 3 to 350kW
- Electric heating
- IEC Zone 1/2 Certification
- ATEX Category 2 Certification
- Other Certification may be available
- Notified Body Type Approval

*For non-hazardous areas units – please refer to our **climarine** range of products*

# HZ9 Refrigeration System

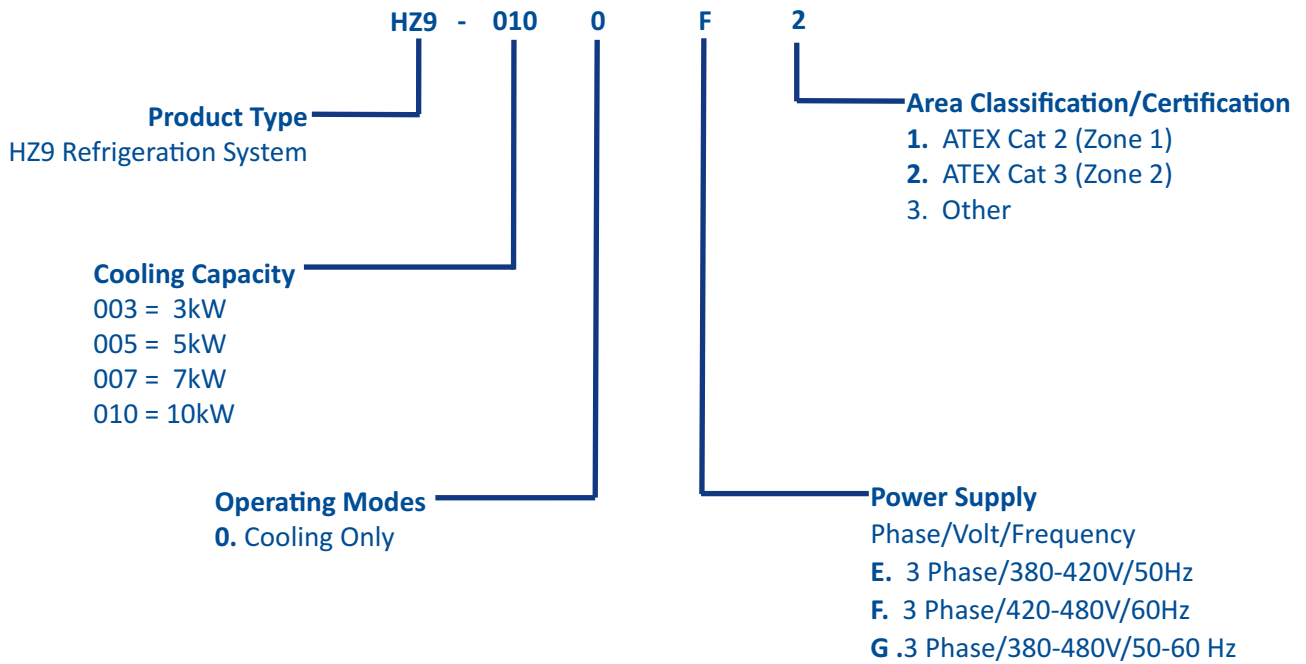
## Use of Equipment

The user is responsible for the choice of the type of equipment put in place and must take into account the explosion risk area in which the equipment will operate, checking the classification of the hazardous area and temperature class is suitable.

## How to Order

### For example

A Refrigeration System @ 10kW 3 phase 480V 60Hz, ATEX certified for a Zone 2 area is as follows:



HVAC & Refrigeration Engineering Ltd - Products Division  
Unit A | Broadfold Road | Bridge of Don | Aberdeen | AB23 8EE  
t (+44) 01224 707080 e info@hvac-refrigeration.co.uk [www.hvac-refrigeration.co.uk](http://www.hvac-refrigeration.co.uk)