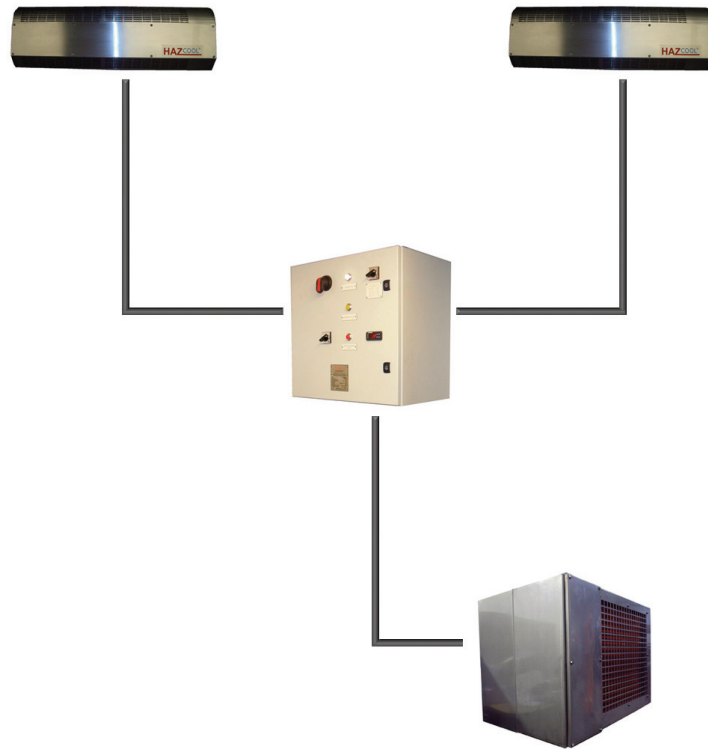


HZ10 4 Piece Split Air Conditioning System with Digital control



Safely Controlling Environments in Hazardous Areas



HVAC & Refrigeration Engineering Ltd - Products Division
Unit A | Broadfold Road | Bridge of Don | Aberdeen | AB23 8EE
t (+44) 01224 707080 e info@hvac-refrigeration.co.uk www.hvac-refrigeration.co.uk

HZ10 4 Piece Split Air Conditioning System with Digital control

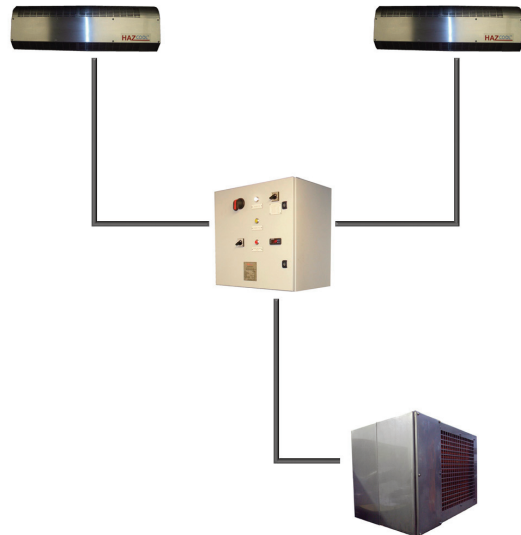
HZ10 4 Piece Split Air Conditioning System with Digital control

Introduction

Hazcool HZ10 4 Piece Split Air Conditioning Systems are robustly designed and constructed for use in the hazardous offshore, marine and petrochemical environment.

Our team of dedicated, highly skilled engineers and technicians use their extensive knowledge, experience and the latest 3D technology to continually develop and update our designs.

Materials and components are selected to provide resistance to corrosion, long service life and optimum reliability along with standardisation of common components across the range to ensure spare parts are always readily available at competitive prices.



System Description

The system consists of four main parts – 1 x Marine condenser unit ATEX certified for use in a Zone 2 Hazardous Area, 1 x Compressor/Control Enclosure (for use in safe area only) and 2 x indoor evaporator units (for use in safe area only). Interconnecting pipe work and cabling connects each part to form a closed system.

The system can provide individual climate control in two separate rooms via two separate thermostats. A digital scroll compressor provides capacity control for the system from 10 - 100% of the duty depending on the conditions.

Typical Applications

This equipment is suitable for providing climate control in the following typical applications:

- Offices
- Workshops
- Analyser Houses
- Accommodation Modules
- ROV Cabins

Options

- Range of cooling capacities from 3 to 18kW
- Electric heating
- IEC Zone 1/2 Certification
- ATEX Category 2/3 Certification
- Other Certification may be available
- Notified Body Type Approval
- For non-hazardous areas units – please refer to our **climarine** range of products.

HZ10 4 Piece Split Air Conditioning System with Digital control

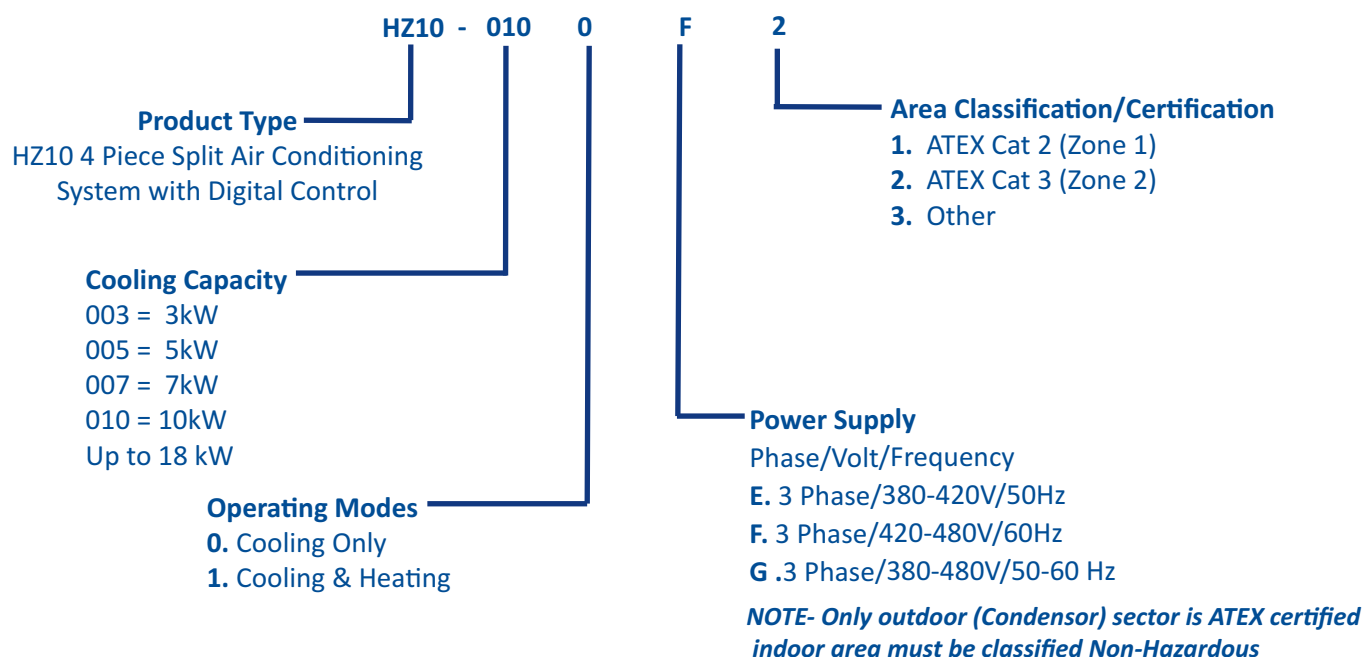
Use of Equipment

The user is responsible for the choice of the type of equipment put in place and must take into account the explosion risk area in which the equipment will operate, checking the classification of the hazardous area and temperature class is suitable.

How to Order

For example

A 4 Piece Split Air Conditioning Unit, 10kW with no heating, operating on 420/480V 3 phase, 60Hz, ATEX certified for use in a Zone 2 area is as follows:



HVAC & Refrigeration Engineering Ltd - Products Division
 Unit A | Broadfold Road | Bridge of Don | Aberdeen | AB23 8EE
 t (+44) 01224 707080 e info@hvac-refrigeration.co.uk www.hvac-refrigeration.co.uk