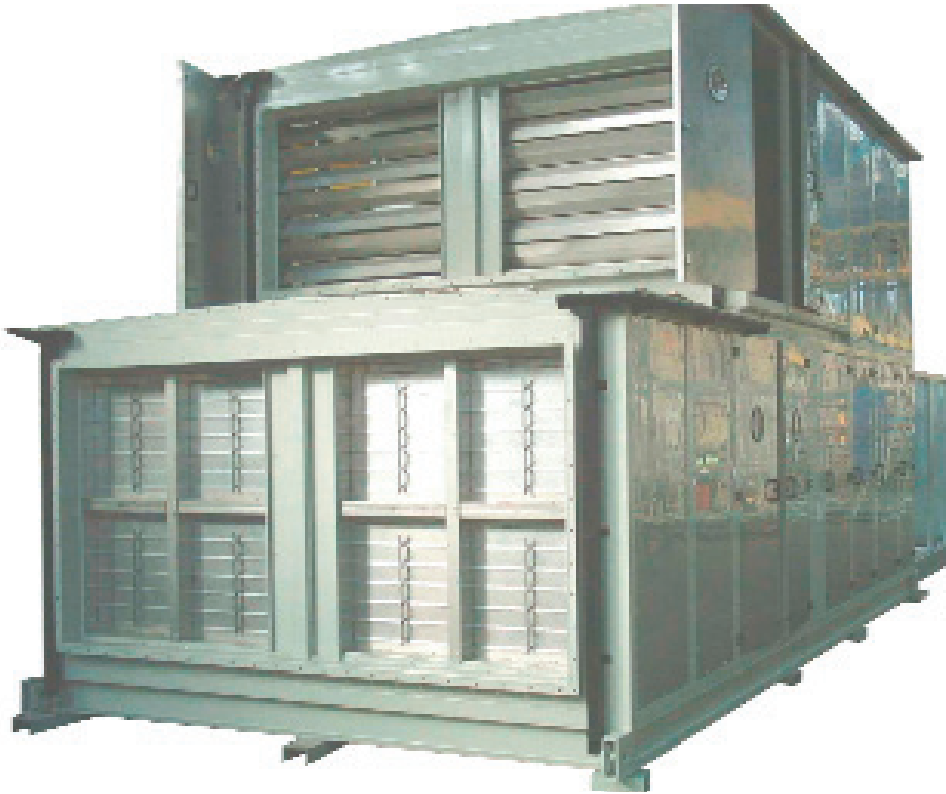


HZ13 Air Handling Unit



Safely Controlling Environments in Hazardous Areas



HVAC & Refrigeration Engineering Ltd - Products Division
Unit A | Broadfold Road | Bridge of Don | Aberdeen | AB23 8EE
t (+44) 01224 707080 e info@hvac-refrigeration.co.uk www.hvac-refrigeration.co.uk

HZ13 Air Handling Unit

HZ13 Air Handling Unit

Introduction

Hazcool HZ13 Air Handling Units are robustly designed and constructed for use in the hazardous offshore, marine and petrochemical environment.

Our team of dedicated, highly skilled engineers and technicians use their extensive knowledge, experience and the latest 3D technology to continually develop and update our designs.

Materials and components are selected to provide resistance to corrosion, long service life and optimum reliability along with standardisation of common components across the range to ensure spare parts are always readily available at competitive prices.

System Description

The HZ13 range of Air Handling Units are designed to meet the demands of today's marine air conditioning and temperature control requirements.

The base frame and outer casing are fabricated from 316L stainless steel. Internal components are available in a variety of configurations (single & duty/standby fan arrangements) and a range of options (Filters, Pre-Heaters, Mist Eliminators etc.) Cooling can be via chilled water, seawater or DX coils (Stainless Steel/ Marine grade copper, Copper/Copper etc.) Controls are via either stand-alone or integrated panels and are fully client interface compatible.



Typical Applications

This equipment is suitable for providing climate control in the following typical applications:

- Offshore Living Quarters
- SCR Rooms
- Machinery Spaces
- Multiple Module Systems
- Galley Ventilation

Options

- Range of cooling capacities from 3 to 300kW
- Electric heating
- IEC Zone 1/2 Certification
- ATEX Category 2 Certification
- Other Certification may be available
- Notified Body Type Approval

For non-hazardous areas units – please refer to our **climarine** range of products

HZ13 Air Handling Unit

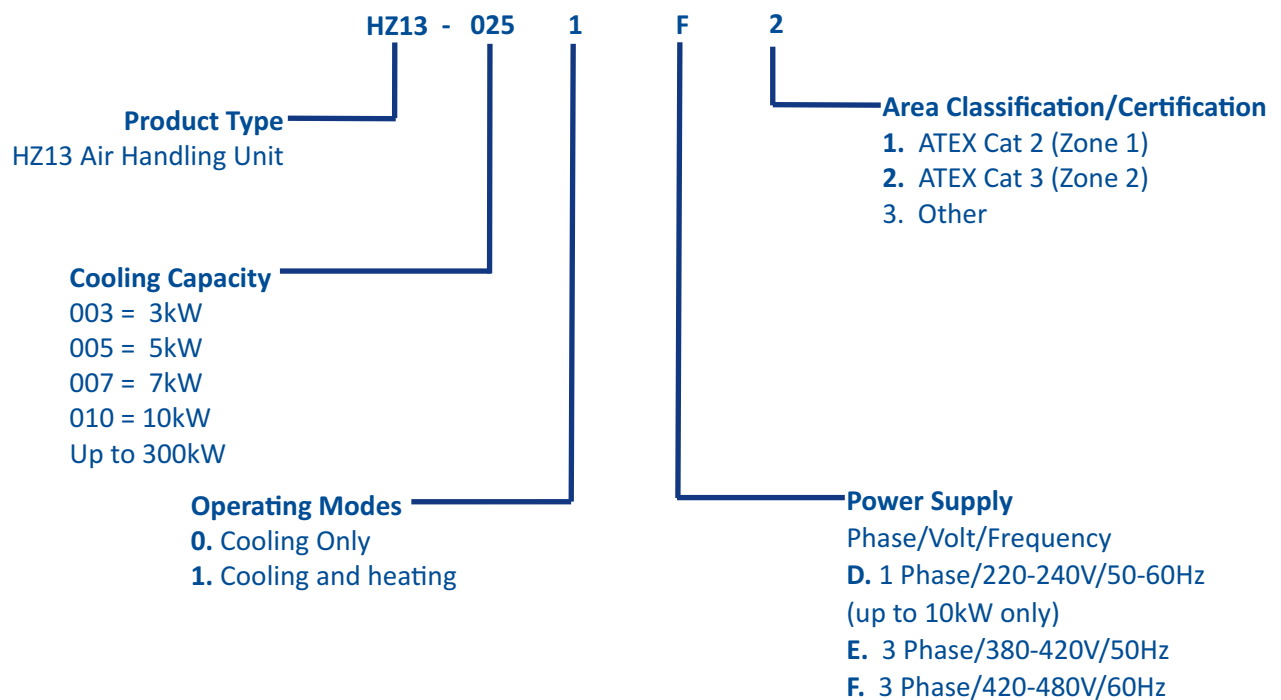
Use of Equipment

The user is responsible for the choice of the type of equipment put in place and must take into account the explosion risk area in which the equipment will operate, checking the classification of the hazardous area and temperature class is suitable.

How to Order

For example

An Air Handling Unit @ 25kW complete with heating, operation on 440V 3 phase 60Hz and certified for location within an ATEX Zone 2 environment.



HAZCOOL[®]

HVAC & Refrigeration Engineering Ltd - Products Division
Unit A | Broadfold Road | Bridge of Don | Aberdeen | AB23 8EE
t (+44) 01224 707080 e info@hvac-refrigeration.co.uk www.hvac-refrigeration.co.uk