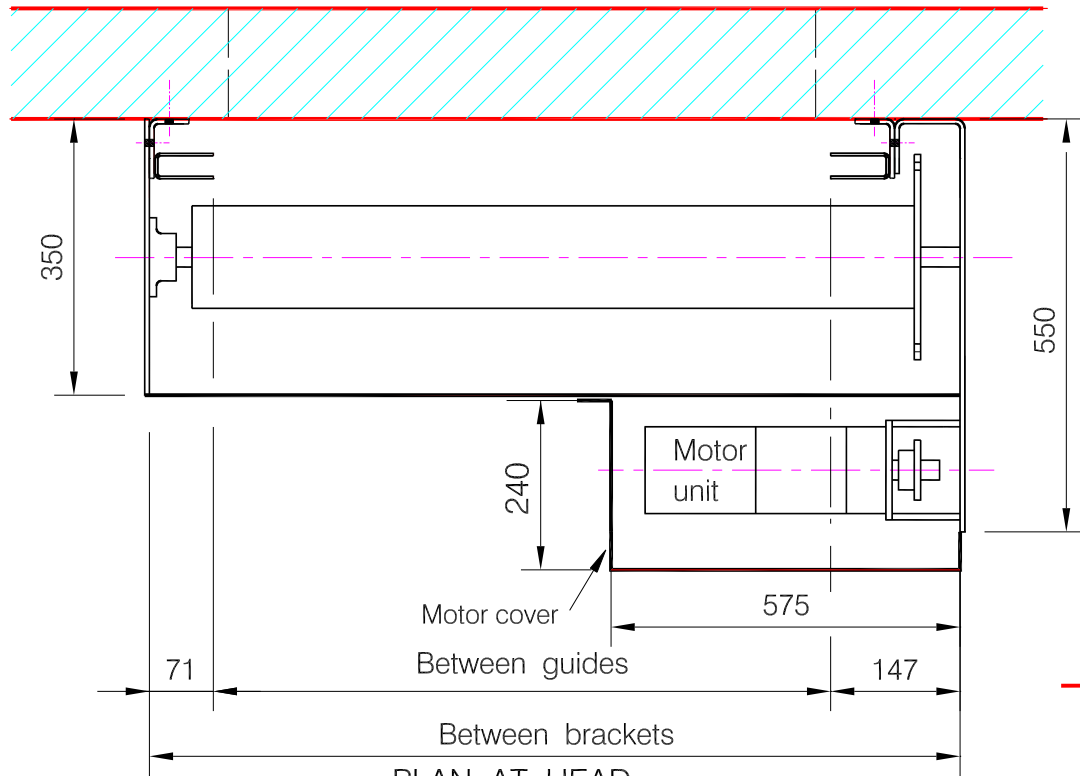
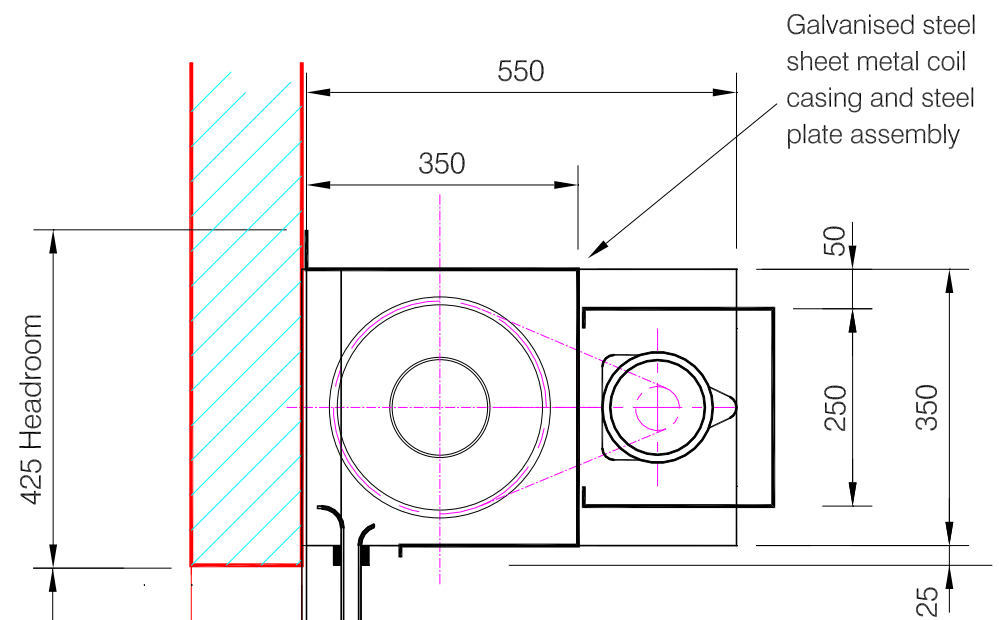


PLAN ON GUIDES



PLAN AT HEAD



SECTION

3ph. 380/440 V Electric operator by Avon Industrial Doors Ltd Operator complete with travel limits emergency handchain operation and auto solenoid release unit.
 Site wiring and commissioning to a live fused isolator (by others) sited within 1 metre of opening on the motor side to be carried out by Avon Industrial Doors Ltd
 Connection of the solenoid release unit to the alarm system to be undertaken by others.

DESIGN NOTES!
 The structure supporting the shutter must be a fire - resistant separating element (to BS 476: Part 20,21,22:1987) having a fire resistance greater or equal to that required of the shutter. The structure must also be capable of supporting the shutter for the required fire resistance period without compromising the fire performance of the shutter.

AVON INDUSTRIAL DOORS LTD

TITLE: 2 HOUR ELECTRIC FIRE SHUTTER
 INBOARD MOTOR - RIGHT HAND

DRAWN: D.J.J.

DRG. No.

DATE: 05 / 03 / 2007

AV 1001