



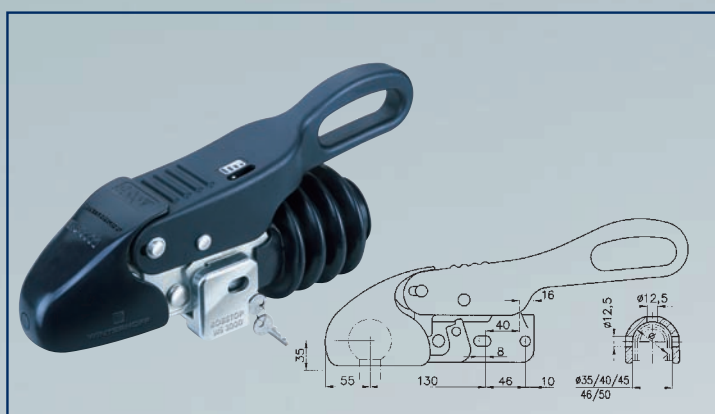
# PARTS NEWS 2010 #1

## LIGHT AXLE AND CARAVAN

People towing trailers want one thing above all else; to get to their destination safely. BPW running gear is something that can be relied upon in this respect with their light axle running gear range designed for dynamic, safe and comfortable driving. To complement this range BPW provide a host of components - quality engineered equipment to enhance the towing experience.

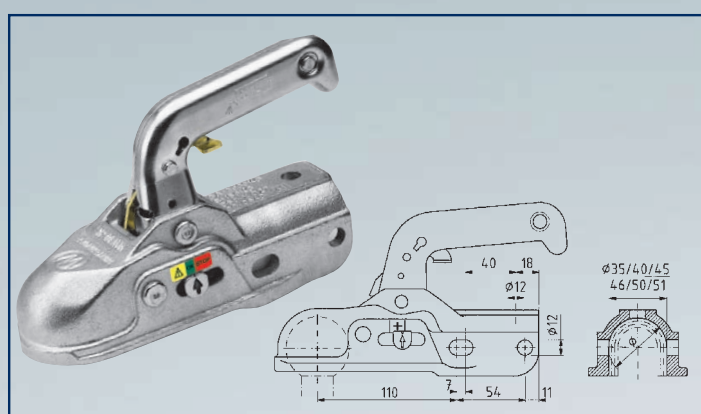
### WS 3000

PART #: CW02.1801.19.10N



### WW30

PART #: CW1146



### ROBSTOP PLUS

PART #: CW02.0130.79.00

### ROBSTOP

PART #: CW 1532

### ROBSTOP

PART #: CW1542

### SAFETY BOX

PART #: CW5012



### CRANK HANDLE

PART #: O2-1406-06-00



### GREASE - PART #: O2.1040.34.00 (400G)

- PART #: O2.1040.31-00 (5KG)



All our jockey wheels are fitted with high quality thrust bearings and use rolled thread technology for strength and smooth operation



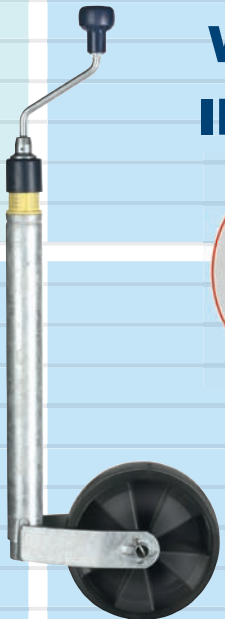
48MM Ø JOCKEY WHEELS 48MM Ø JOCKEY WHEELS 48MM Ø

LOADING SOLID TYPE  
PART #: 02.3712.32.00

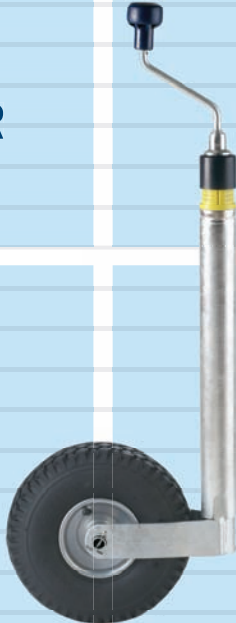
LOADING AIR TYPE  
PART #: CW6077

470MM LONG HEAVY DUTY 3.5MM TUBE  
PART #: 02.3712.35.00

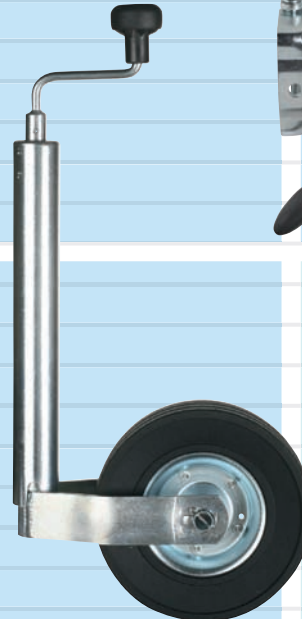
**WEIGHT INDICATOR**



220 x 70



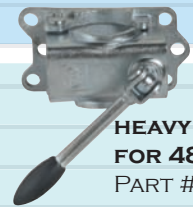
260 x 85 (pneumatic)



225 x 70



HEAVY DUTY FOR 60MM Ø  
PART #: CW3643

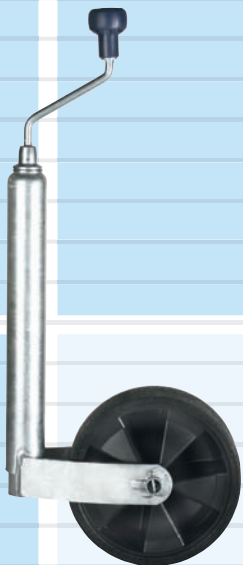


HEAVY DUTY FOR 48MM Ø  
PART # CW1845

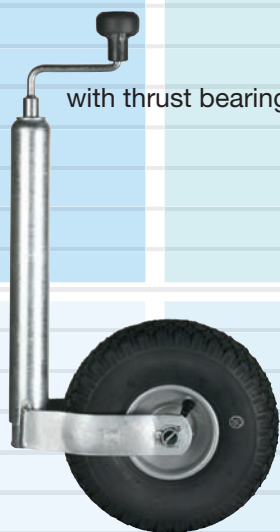


STANDARD 48MM Ø  
PART #:  
05.189.41.440

CONTACT : BPW PARTS DEPARTMENT - 0116 281 6123 (DIRECT LINE)



220 x 70



260 x 85 (pneumatic)



200 x 50

200 x 60  
Part # CW 5424



260 x 85  
Part # CW 5432



220 x 70  
Part # CW 5446



STANDARD CARAVAN  
PART #: 02.3712.17.00

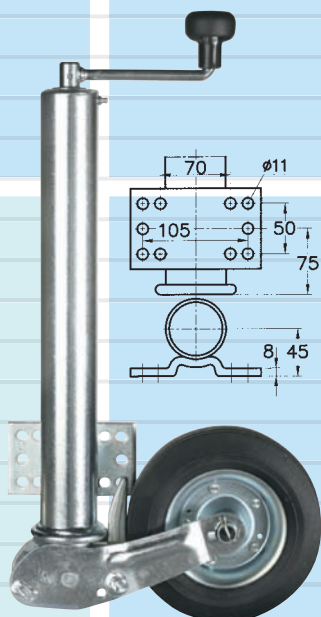
BASIC WITH AIR TYPE  
PART #: CW6052

BASIC  
PART #: CW6032



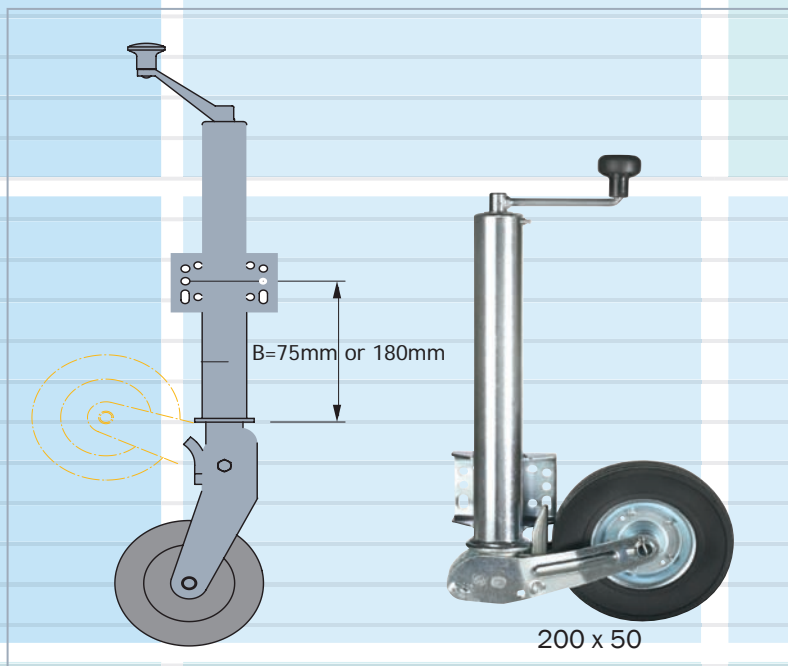
# PARTS NEWS LIGHT AXLE AND CARAVAN

**HEAVY DUTY 60MM Ø**  
PART #: CW 6400



220 x 60

**HEAVY DUTY**  
60MMØ B=75MM - PART #: 05.375.48.050  
60MM sq B=180MM - PART #: 02.3712.23.00

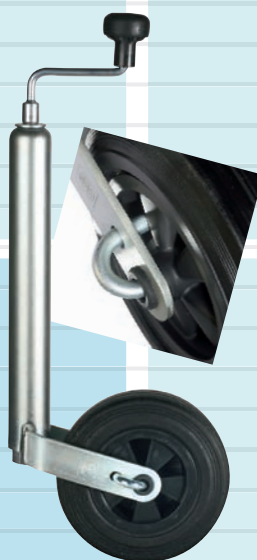


200 x 50

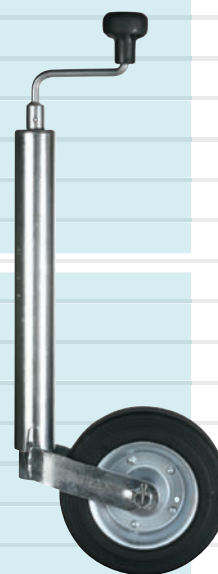
**CONTACT : BPW PARTS DEPARTMENT - 0116 281 6123 (DIRECT LINE)**



225 x 70



200 x 850



200 x 50

**HEAVY DUTY 60MM Ø**  
PART #: CW 4066

**SAFETY BRAKE 48MM Ø**  
PART #: CW6059

**42MM Ø**  
PART #: CW2222/1



# A guide to answer some of the questions we are constantly asked on SAFETY CRITICAL items.

## BREAKAWAY CABLES

If the Breakaway cable appears damaged in any form i.e. if the plastic cover is torn, the cable kinked or frayed or the clip distorted, then we strongly recommend a new Genuine BPW Breakaway cable be fitted. Only a genuine BPW Breakaway cable meets the EU Type approval of the BPW overrun hitch system.



Hitch ZAF2  
Part # 05.327.30.02.0

Recent investigations supported by the NCC, NTTA, SMMT, both Caravan Clubs, BPW, AL-KO and various towbar manufacturers found there are varying

qualities and strengths of breakaway cables offered in the aftermarket.

Alarmingly it is found that some breakaway cables sold in the aftermarket fail at only 20% of the force required to safely operate the BPW breakaway system. Using a non-genuine Breakaway cable could be putting road users in danger, invalidating the type approval and insurance cover.



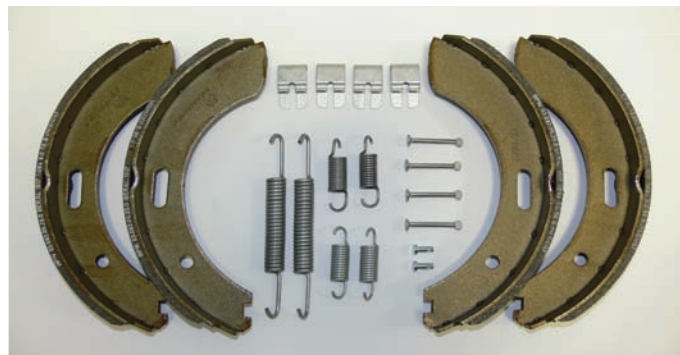
Hitch ZAF1  
Part # 05.327.30.01.0



Hitch PAV & Other Drawbar  
Part # 05.327.00.26.0

WHY TAKE THE RISK?

## BRAKE LININGS



Brake sizes:	200 Ø x 50	250 Ø x 40
Part #	09.801.03.79.0	09.801.03.80.0

Brake lining wear should be checked every 2,000-3,000 kilometres or at least once a year. New brake shoes must be fitted as soon as the brake lining has reduced to a thickness of 2mm.

**Warning:** When fitting new brake shoes all shoes on the same axle must be replaced to ensure optimum brake performance is achieved. The maximum permitted wear on the brake drum is 1mm over the nominal brake size i.e. 200mm Ø = maximum inner diameter of drum 201mm Ø.

## PARTS

### HUB NUTS used with compact bearings

**BPW AXLES WITH A SINGLE COMPACT BEARING USE A SELF-LOCKING HUB NUT. BPW LIMITED STRONGLY RECOMMEND THAT THESE ARE REPLACED EACH TIME THEY ARE REMOVED.**



AXLE TYPE	CB854-CB1355
PART #	02.5273.36.00
STUB AXLE SIZE	M24 x 1.5
TORQUE	280Nm



AXLE TYPE	CB1505
PART #	02.5273.38.00
STUB AXLE SIZE	M27 x 1.5
TORQUE	330Nm

**FOR SAFETY'S SAKE DO NOT TAKE CHANCES, USE A NEW NUT.**