



Bayonet quick couplings	12
Water inlet quick couplings "universal"	13
Spray guns	14
Spray nozzles	14
Longcast lances	15
Suttner low pressure guns	16
Low pressure guns	17
Chemical spray guns ST-510 & lances	18
Suttner steam guns	19
Low pressure hoses	20
Foodjet - food hose	21
Hose reels	21
Hose reel trolleys	21
blufood® - food hose	21
blufood365+®	21
Hose tails	22
Hose clamps	23
Mounting brackets	23
Pre-spraying kits	24
Ball valves	24
Metering valves	25
Solenoid valves Bürkert closed in off-position	25
Descaling pumps and softening agents	26
Low pressure valves	26
Backflow preventors	26
Pressure gauges	27
Suttner intake filter & suction sets	27
Intake filter for chemicals	27
Water intake filters	28
Float tanks	28
Float valves	29
Filter housings without cartridge filter	30
Cartridge filter	31
easywash365+ wash brushes - large areas are completely clean from now on!	32
Wash brushes	32
Telescopic lances & wash brushes	33
Vorwerk lances & wash brushes	34
Brush holder	34
easywash365+ brush holder	34
Handles with water flow	35
Handles without water flow	35
Wash brushes with water flow	36
Quick couplings suitable for Nito system	36
Foam gun	37

Bayonet quick couplings

Couplings with tail



Straight. Brass



Swivel straight. Brass



Suction coupling *. Brass

Couplings with male and female thread



M thread. Brass



F thread. Flat seal. Brass

DN
10 mm (3/8")
13 mm (1/2")
16 mm (5/8")
19 mm (3/4")
25 mm (1")
32 mm (1.1/4")
38 mm (1.1/2")

R+M Nr.	ⓘ
720 05	45
720 10	45
720 15	45
720 20	45
720 30	51
720 40	
720 50	68

R+M Nr.	ⓘ
720 104	60
720 204	55
720 304	67
720 404	75

R+M Nr.	ⓘ
724 30	79
724 15	74
724 25	78

⊙
1/4"
3/8"
1/2"
3/4"
1"
1.1/4"
1.1/2"

R+M Nr.	ⓘ
723 05	23
723 10	24
723 20	24
723 30	22
723 40	23
723 50	26
723 60	

R+M Nr.	ⓘ
722 10	23
722 20	23
722 30	23
722 40	23
723 00	28
723 01	30

* Leak proof. Twist on sleeve locks in place

Spare washer



Flat seal. For F thread

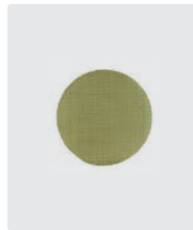
R+M Nr.	⊙
725 23	3/8"
725 24	1/2"
725 25	3/4"
725 26	1"
725 27	1.1/4"
725 28	1.1/2"



Gasket

R+M Nr.
725 20

Accessories



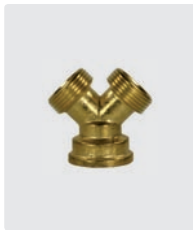
100 meshes/cm². Brass. Stainer insert. \varnothing 33 mm

R+M Nr.
725 30



Bayonet blank coupling with gasket. Brass

R+M Nr.
725 10



3-way distributor 3/4" F : 3/4" M : 3/4" M. Brass

R+M Nr.
725 05



3-way bayonet coupling. Brass

R+M Nr.
725 00

KTW approved bayonet quick couplings are available on request!

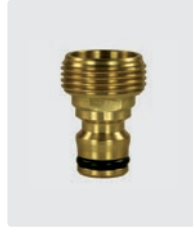
Symbols ⊙ thread ⓘ height DN nominal diameter \varnothing diameter

Water inlet quick couplings "universal"

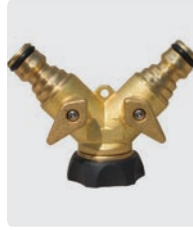
Coupler plugs "universal"



F thread. Brass.
With flat seal



M thread. Brass



F thread. Brass +
rubber. Double exit



F thread. Brass.
Angle swivel.
With flat seal



F thread. Plastic.
With flat seal



Plastic. Coupler plug
for 12 - 18 mm

DN
1/2"
3/4"
1"

R+M Nr.	i
728 310	37
728 311	37
728 312	40

R+M Nr.	i
728 320	39
728 321	37

R+M Nr.	i
728 465 4	72

R+M Nr.	i
728 313	45

R+M Nr.	i
727 00	46
727 10	39
727 13	39

R+M Nr.	i
727 791	64

Hose couplings "universal" - premium quality

Accessories

Premium quality.
Hose couplings with
6 stainless steel balls.



Brass. With tension
screw



Brass. With tension
screw + water stop



F thread. Brass. With
flat seal



M thread. Brass



Filter. Seal for 3/4" F

R+M Nr.
728 250



O-ring

R+M Nr.
727 000

DN
12 - 15 mm (1/2")
16 - 19 mm (3/4")

R+M Nr.	i
728 330 5	51
728 331 5	54

R+M Nr.	i
728 335	52
728 336	56

R+M Nr.	i
728 334	44

R+M Nr.	i
728 333	40

Hose couplings "universal"

Hose connectors



Plastic. With tension
screw



Plastic. With tension
screw + water stop



Plastic. With tension
screw + stop valve



Brass. With tension
screw



Plastic. With tension
screw

DN
12 - 15 mm (1/2")
16 - 19 mm (3/4")

R+M Nr.	i
727 01	62
727 03	66

R+M Nr.	i
727 41	66
727 43	70

R+M Nr.	i
727 45	101

R+M Nr.	i
728 330	51
728 331	56

DN
12 - 15 mm (1/2")
16 - 19 mm (3/4")

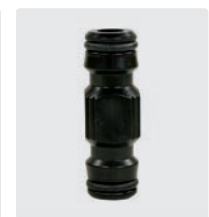
R+M Nr.	i
727 61	53
727 62	60

Hose connectors

These brazen and plastic water inlet quick couplings
"universal" are mutually compatible.



Brass



Plastic

DN
16 mm (1/2")

R+M Nr.	i
728 340	45

R+M Nr.	i
727 65	52

Spray guns

Shower head



new

Stainless steel. Housing plastic. Inlet 1/2" F.
Max. 8 bar / 60 °C

R+M Nr.
500 101

Guns with seven jet adjustments



Plug 16 mm (universal). Max. 8 bar / 20 °C

R+M Nr.
726 419

Guns with steplessly variable jet adjustment

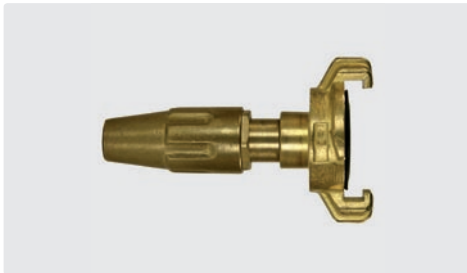


Plug 16 mm (universal). Max. 8 bar / 20 °C

R+M Nr.
726 416

Spray nozzles

Spray nozzles




Adjustable with bayonet coupling

R+M Nr.
726 81



Adjustable with plug. Plastic

R+M Nr. **plug** 
727 81 16 mm (universal)

Aerator



M22 F

R+M Nr.
726 101




Adjustable with hose tail. Brass

R+M Nr. **DN**
726 811 13 mm (1/2")



limited stock

Adjustable with plug. Brass

R+M Nr. **plug** 
728 480 4 16 mm (universal)

Ball valves (accessories)



3/4" F : 3/4" M. Brass

R+M Nr.
726 420

Symbols  nozzle  diameter  inlet  outlet **DN** nominal diameter

Longcast lances

The longcast lance can be connected to a low pressure pump, to a high pressure pump (max. 80 bar), to the public water system or to the extinguishing water network.

The lance works in the medium pressure range. By means of its very good solidity, good handling and compactness the lance is especially suitable for the intensive use.

The lateral hand grip makes a stepless adjustment of the water jet during the operation possible. A long casting point jet or a progressive, conical spray jet can be set.

In order to realize ideal cleaning results the nozzle size needs to be adapted to the pump performance (pressure and water quantity).

Nozzles for longcast lances



Brass. Nozzle with ceramic insert

R+M Nr.	Ø
500 200 112	1,2 mm
500 200 115	1,5 mm
500 200 120	2,0 mm
500 200 123	2,3 mm
500 200 125	2,5 mm
500 200 130	3,0 mm
500 200 135	3,5 mm



3/8" F. Longcast lance 500 mm with vented handle ST-9.1 260 mm, gun ST-2300, grip aside and nozzle protector made of plastic without nozzle. Max. 250 bar / 45 l/min

R+M Nr.	⊗	Ⓞ
500 200 510	nozzle protector without nozzle	3/8" F



1/2" F. Longcast lance 500 mm with vented handle ST-9.1 260 mm, gun ST-2320, grip aside and nozzle protector made of plastic without nozzle. Max. 150 bar / 80 l/min

R+M Nr.	⊗	Ⓞ
500 200 520	nozzle protector without nozzle	1/2" F



1/4" M. Longcast lance 500 mm with vented handle ST-9.1 260 mm, grip aside and nozzle protector made of plastic without nozzle. Max. 250 bar / 130 l/min

R+M Nr.	⊗	Ⓞ
500 200 500	nozzle protector without nozzle	1/4" M

Functional principle longcast lance

long casting point jet

progressive, conical spray jet

Suttner low pressure guns

ST-1200 spray guns



Spray gun with adjustable spray angle.
Max. 24 bar / 100 l/min / 50 °C

R+M Nr.	(M)	(C)
201 200 500	brass	1/2" F



Spray gun with adjustable spray angle.
Max. 24 bar / 100 l/min / 50 °C

R+M Nr.	(M)	(C)
201 200 520	stainless steel	1/2" F



Spray gun with adjustable spray angle. Trigger guard.
Max. 24 bar / 100 l/min / 95 °C

R+M Nr.	(M)	(C)
201 200 550	stainless steel	1/2" F



Spray gun with adjustable spray angle. Trigger guard.
Max. 24 bar / 100 l/min / 50 °C

R+M Nr.	(M)	(C)
201 200 535	brass	1/2" F

Repair kits ST-1200



R+M Nr.	(M)
201 200 420	stainless steel



R+M Nr.	(M)
201 200 430	brass

Principle of function low pressure guns



Further models of the spray guns ST-1200 are available on request.

Low pressure guns

RB35

new



Max. 12 bar / 50 l/min / 50 °C

R+M Nr.	(M)	(C)
500 535 500	brass	1/2" F swivel

new



Max. 12 bar / 50 l/min / 80 °C

R+M Nr.	(M)	(C)
500 535 510	stainless steel	1/2" F swivel

Principle of function low pressure guns



long casting full jet



progressive, conical spray jet

RB65

new



Max. 24 bar / 60 l/min / 90 °C

R+M Nr.	(M)	(C)
500 565 00	brass	1/2" F swivel

new



Max. 24 bar / 100 l/min / 90 °C

R+M Nr.	(M)	(C)
500 565 10	brass	1/2" F swivel

Suttner low pressure guns

ST-860 low pressure



Spray gun with PEEK seat. Resistant to chemicals.
Max. 210 bar / 30 l/min / 80 °C

R+M Nr.	(C)	(C)
200 860 500	1/4" F	1/4" F

ST-810 low pressure



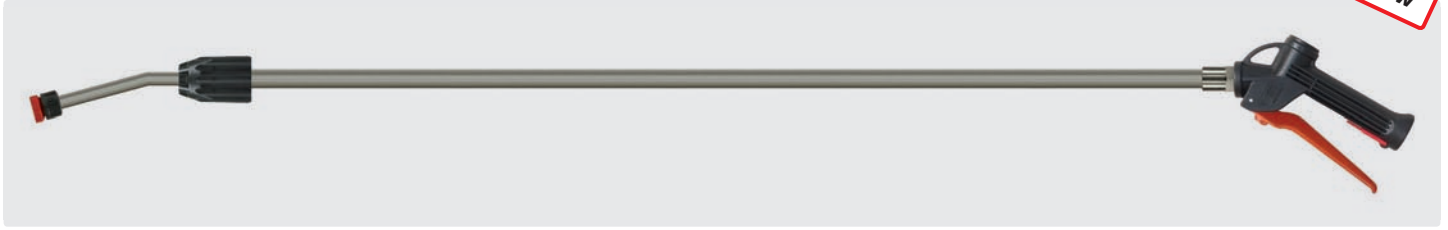
Spray gun with POM seat. Resistant to chemicals.
Max. 140 bar / 30 l/min / 80 °C

R+M Nr.	(C)	(C)
200 810 520	1/4" F	3/8" F

Symbols (M) material (C) inlet (C) outlet

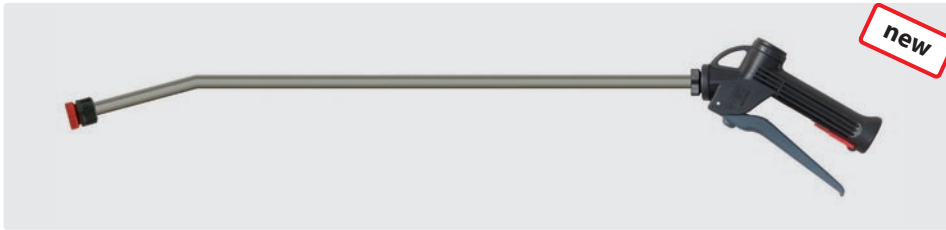
Chemical spray guns ST-510 & lances

Chemical spray guns ST-510 & lances



1000 - 2000 mm. Spray gun with telescopic lance made of stainless steel and nut for nozzle without nozzle. Spray gun with stainless steel V2A / AISI 304 ball being resistant to chemicals. Max. 25 bar / 30 l/min / 50 °C

R+M Nr.		
200 510 600	1/2" F	1/2" F



600 mm. Spray gun with lance made of stainless steel and nut for nozzle without nozzle. Spray gun with stainless steel V4A / AISI 316 ball being resistant to chemicals. Max. 25 bar / 30 l/min / 50 °C

R+M Nr.		
200 510 550	1/2" F	1/2" F



300 mm. Spray gun with lance made of stainless steel and nut for nozzle without nozzle. Spray gun with stainless steel V4A / AISI 316 ball being resistant to chemicals. Max. 25 bar / 30 l/min / 50 °C

R+M Nr.		
200 510 560	1/2" F	1/2" F



600 mm. Spray gun with lance made of plastic and nut for nozzle without nozzle. Spray gun with stainless steel V2A / AISI 304 ball being resistant to chemicals. Max. 25 bar / 30 l/min / 50 °C

R+M Nr.		
200 510 700	1/2" F	1/2" F



210 mm. Spray gun with lance made of plastic and nut for nozzle without nozzle. Spray gun with stainless steel V2A / AISI 304 ball being resistant to chemicals. Max. 25 bar / 30 l/min / 50 °C

R+M Nr.		
200 510 710	1/2" F	1/2" F

Chemical spray guns ST-510



Gun with stainless steel V4A / AISI 316 ball being resistant to chemicals. Max. 25 bar / 70 l/min / 50 °C

R+M Nr.		
200 510 500	1/2" F	1/2" F

Filter



Plastic. Max. 50 °C

R+M Nr.
500 04

Suttner steam guns

The steam guns of the series ST-4000 and ST-860D are the ideal solution for cleaning tasks with steam. Both series are designed for a medium temperature of up to 200 °C and for a working pressure of max. 20 bar. By means of a specifically produced valve housing with 3/4" F made out of aluminium the ST-4000 is suitable for extremely high flow rates. The ST-860D is unbeatable in case of small and medium flow rates.

Apart from being enormously resistant to high temperatures the sealing copolymer is suitable for all liquids based on mineral oil as well as for inorganic acids, alkaline solutions, alcohol and anti-corrosion liquids based on amines and seawater or on their mixtures.

The fact that the hose connection is positioned in the front of the gun positively effects the professional handling with the gun as well as the heat radiation close to hand and body.

ST-860D steam guns



Professional steam gun ST-860D.
Max. 20 bar / 200 °C

R+M Nr.		
200 860 550	1/4" F	1/4" F

ST-860D steam guns with lance



Professional steam gun ST-860D with lance 400 mm stainless steel, vented handle ST-9.1 220 mm and nozzle protector ST-12 without nozzle. Max. 20 bar / 200 °C

R+M Nr.		
200 860 555	nozzle protector ST-12	1/4" F

ST-4000 steam guns with lance



Professional steam gun ST-4000 with lance 500 mm stainless steel with vented handle ST-9 380 mm and steam low pressure nozzle made out of stainless steel. Max. 20 bar / 200 °C

R+M Nr.		
204 000 500	steam low pressure nozzle	3/4" F

Symbols inlet outlet

Low pressure hoses

Rubber hoses black



Black surface and interior. Industrial version for water and compressed air. Abrasion- and ozone-resistant. Burst pressure > 60 bar. Max. 20 bar. -10 °C - +60 °C

Per metre

R+M Nr.	DN	⊖	⊗
305 10	13 mm (1/2")		4,0 mm
305 20	19 mm (3/4")		5,0 mm
305 30	25 mm (1")		5,0 mm

Complete units

R+M Nr.	DN	⊖	⊗
305 101 00	13 mm (1/2")	100 m	4,0 mm
305 201 00	19 mm (3/4")	100 m	5,0 mm
305 301 00	25 mm (1")	100 m	5,0 mm

* limited stock

Reinforced PVC hoses clear



Clear. Max. 60 °C. Other dimensions are available on request

Per metre

R+M Nr.	DN	⊖	⊗
306 40	6 mm		3,0 mm
306 50	8 mm		3,0 mm
306 55	9 mm		3,0 mm
306 60	10 mm		3,0 mm
307 10	12 mm		3,0 mm
306 70	13 mm		3,5 mm
306 80	16 mm		3,0 mm
306 90	19 mm		3,5 mm

Complete units

R+M Nr.	DN	⊖	⊗
306 401 00	6 mm	100 m	3,0 mm
306 501 00	8 mm	100 m	3,0 mm
306 550 50	9 mm	50 m	3,0 mm
306 600 50	10 mm	50 m	3,0 mm
307 100 50	12 mm	50 m	3,0 mm
306 700 50	13 mm	50 m	3,5 mm
306 800 50	16 mm	50 m	3,0 mm
306 900 50	19 mm	50 m	3,5 mm

Rubber hoses grey



Grey NBR surface. White, food safe interior. Suitable for hot and cold liquids. Resistant to animal fats. Burst pressure > 60 bar. Max. 20 bar. -20 °C - +100 °C

Per metre

R+M Nr.	DN	⊖	⊗
305 40	13 mm (1/2")		4,5 mm
305 50	19 mm (3/4")		4,8 mm

Spiral line hoses



Especially for suction. Suitable for vacuum. -10 °C - +50 °C

Per metre

R+M Nr.	DN	⊖	⊗
307 519	19 mm (3/4")		2,6 mm
307 525	25 mm (1")		2,7 mm
307 532	32 mm (1.1/4")		2,7 mm
307 538	38 mm (1.1/2")		2,7 mm
307 550	50 mm (2")		4,0 mm

Complete units

R+M Nr.	DN	⊖	⊗
307 519 025	19 mm (3/4")	25 m	2,6 mm
307 525 025	25 mm (1")	25 m	2,7 mm
307 532 025	32 mm (1.1/4")	25 m	2,7 mm
307 538 025	38 mm (1.1/2")	25 m	2,7 mm
307 550 025	50 mm (2")	25 m	4,0 mm

Reinforced PVC hoses blue



Blue. Max. 60 °C. Other dimensions are available on request

Per metre

R+M Nr.	DN	⊖	⊗
080 000 310	9 mm		3,0 mm

Complete units

R+M Nr.	DN	⊖	⊗
306 560 50	9 mm	50 m	3,0 mm

Plastic hoses yellow



NTS WHITE PLUS. Yellow surface with blue stripes. White interior. Food safe. PVC water hose with six layers. Abrasion- and UV-resistant. Lead and cadmium free. Burst pressure 30 bar. -20 °C - +65 °C

Complete units

R+M Nr.	DN	⊖	⊗
305 112 15 *	13 mm (1/2")	15 m	2,3 mm
305 112 25	13 mm (1/2")	25 m	2,3 mm
305 112 50	13 mm (1/2")	50 m	2,3 mm
305 134 25	19 mm (3/4")	25 m	2,8 mm
305 134 50	19 mm (3/4")	50 m	2,8 mm

Clear PVC hoses



Especially for suction of chemicals. Max. 60 °C. Other dimensions are available on request

Per metre

R+M Nr.	DN	⊖	⊗
306 10	4 mm		1,0 mm
306 20	6 mm		1,5 mm
306 30	8 mm		2,0 mm

Complete units

R+M Nr.	DN	⊖	⊗
306 101 00	4 mm	100 m	1,0 mm
306 201 00	6 mm	100 m	1,5 mm
306 301 00	8 mm	100 m	2,0 mm

Reinforced PVC hoses yellow



Yellow. Max. 60 °C. Other dimensions are available on request

Per metre

R+M Nr.	DN	⊖	⊗
080 000 300	6 mm		3,0 mm
080 000 320	9 mm		3,0 mm

Complete units

R+M Nr.	DN	⊖	⊗
306 410 50	6 mm	50 m	3,0 mm
306 570 50	9 mm	50 m	3,0 mm

Foodjet - food hose



Foodjet - Food hose according to EN 854. Particularly resistant to animal and poultry fats.

- » Field of application: cleaning hose designed for the food industry.
- » Suitable for: oil, water, water-in-oil emulsions and water mixes with up to 50 % detergent.
- » Surface synthetic rubber. Particularly abrasion-, oil-, ozone-resistant, weatherproof and food safe.
- » Interior synthetic, oil-resistant rubber. Tight textile meshwork.
- » Max. 80 bar. Burst pressure > 240 bar. -40 °C - +150 °C.

R+M Nr.	DN	↔	↗
303 60	12	10 - 95 m	3,5 mm

blufood® - food hose



blufood® - Food hose according to 2007/19/EC, 2002/72/EC, Regulation 10/2011. Designed for industrial foam applications.

- » Field of application: foam hose and pre-spraying hose in the food industry. Suitable for contact with liquid food products.
- » Suitable for: water and water mixes of usual cleaning detergents.
- » PVC hose with five layers and a flush surface.
- » Reinforcing twofold textile meshwork.
- » Max. 50 bar. Burst pressure > 240 bar. -20 °C - +70 °C.

R+M Nr.	DN	↔	↗
303 70	12	10 - 100 m	5 mm

blufood365+®



blufood365+® - Food hose according to 2007/19/EC, 2002/72/EC, Regulation 10/2011. Designed for industrial foam applications.

- » Field of application: foam hose and pre-spraying hose in the food industry. Suitable for contact with liquid food products.
- » Suitable for: water and water mixes of usual cleaning detergents.
- » **Remarkable flexibility at cold temperatures.**
- » **Especially durable due smooth, chemical and abrasion-resistant plastic cover.**
- » PVC hose with five layers and a flush surface.
- » Reinforcing twofold textile meshwork.
- » Max. 50 bar. Burst pressure > 240 bar. -20 °C - +70 °C.

R+M Nr.	DN	↔	↗
303 65	12	10 - 100 m	5 mm

Hose reels

Hose reel trolleys

Hose reels for wall mounting



Powder-coated steel. 2 hose tails 15 mm. Outer diameter = hose length 19 mm = 40 m. H x D x W = 730 x 400 x 460 mm. Max. 10 bar

R+M Nr.	⊕	⊖
762 080 350	3/4" M	3/4" M

Hose reels for wall mounting



Powder-coated steel. 2 hose tails 15 mm. Outer diameter = hose length 19 mm = 40 m. H x D x W = 730 x 400 x 460 mm. Max. 10 bar

R+M Nr.	⊕	⊖
762 080 260	3/4" M	3/4" M

Hose reel trolleys



Plastic. 2 plugs 16 mm (universal). Outer diameter = hose length 18 mm = 50 m. H x D x W = 750 x 440 x 370 mm. Max. 6 bar

R+M Nr.
761 60

Symbols DN nominal diameter ↗ wall thickness ↔ length ⊕ inlet ⊖ outlet

Hose tails

Male thread



Brass.
Max. 150 °C



Stainless steel.
Max. 150 °C



Plastic.
Max. 60 °C



Plastic.
Max. 60 °C



Plastic.
Max. 60 °C

Female thread



Brass.
Max. 150 °C

DN	⊙
4 mm	1/8"
6 mm	1/8"
6 mm	1/4"
6 mm	3/8"
6 mm	1/2"
8 mm	1/8"
8 mm	1/4"
8 mm	3/8"
8 mm	1/2"
10 mm	1/4"
10 mm	3/8"
12 mm	1/4"
12 mm	3/8"
12 mm	1/2"
12 mm	3/4"
16 mm	1/2"
16 mm	3/4"
19 mm	3/4"
19 mm	1"
25 mm	1"

R+M Nr.	I
710 00	31
710 10	35
710 40	36
710 65	40
710 05	31
710 20	34
710 50	38
710 70	49
710 25	34
710 55	35
710 30	35
710 60	38
710 80	50
710 90	47
710 85	40
710 95	49
711 00	47
711 20	49
711 10	55

R+M Nr.	I
710 009	33
710 19	49
710 29	48
710 79	
710 559	36
710 89	49
711 09	70

R+M Nr.	I
712 05	27
712 10	33
712 20	38
712 40	39
712 30	41
712 50	41
712 70	49
712 55	44
712 60	46
712 80	54
712 90	58

R+M Nr.	I
713 10	21
713 20	26
713 40	26
713 30	28
713 50	33
713 70	37
713 32	30
713 60	32
713 80	36
713 90	42

R+M Nr.	↔	I
714 10	57	21
714 20	57	26
714 30	66	28

DN	⊙
6 mm	1/4"
8 mm	1/4"
8 mm	3/8"
8 mm	1/2"
12 mm	3/8"
12 mm	1/2"

R+M Nr.	I
710 104	33
710 204	33
710 504	33
710 704	36
710 604	40
710 804	38

Hose connector reduction



Plastic.
Max. 60 °C

DN
8 mm - 6 mm
8 mm - 12 mm

R+M Nr.	↔	I
717 50	55	27
717 60	57	35

2/3 hose tails

Filter



Flat seal

R+M Nr.	⊙
725 40	3/4"

DN	⊙
10 mm	1/2"
10 mm	3/4"
13 mm	1/2"
13 mm	3/4"
13 mm	1"
19 mm	3/4"
19 mm	1"
25 mm	1"



Brass.
Max. 150 °C



Plastic.
Max. 60 °C



Brass.
Max. 150 °C

Hose connectors



Plastic.
Max. 60 °C



Plastic.
Max. 60 °C



Plastic.
Max. 60 °C

DN
6 mm
8 mm
12 mm

R+M Nr.	I
715 10	49
715 20	56
715 30	73

R+M Nr.	↔	I
717 10	50	26
717 20	58	30
717 30	68	36

R+M Nr.	I
716 10	46
716 20	53
716 30	68

Symbols DN nominal diameter ⊙ thread I height ↔ length VPE packing unit ⊘ diameter M material TYP type

Hose clamps

1.4016 stainless steel housing and band. Hexagon screw zinc-plated. Worm gear high tension. Flat tape inner sides with turned up rims. According to DIN 3017, W2



Clamps with hexagon screw

R+M Nr.	VPE	∅	I
735 10	1	8 - 12 mm	9 mm
735 20	1	10 - 16 mm	9 mm
735 30	1	12 - 20 mm	9 mm
735 40	1	16 - 25 mm	9 mm
735 50	1	20 - 32 mm	9 mm
735 60	1	25 - 40 mm	9 mm
735 70	1	32 - 50 mm	9 mm
735 80	1	50 - 70 mm	9 mm

Clamps with hexagon screw

R+M Nr.	VPE	∅	I
735 10 100	100	8 - 12 mm	9 mm
735 20 100	100	10 - 16 mm	9 mm
735 30 100	100	12 - 20 mm	9 mm
735 40 100	100	16 - 25 mm	9 mm
735 50 100	100	20 - 32 mm	9 mm
735 60 100	100	25 - 40 mm	9 mm
735 70 100	100	32 - 50 mm	9 mm
735 80 100	100	50 - 70 mm	9 mm

Mounting brackets

Hose holders



Holding capacity 1/2" = 40 m - 3/4" = 30 m. Hole size 140 mm. W x H x D = 260 x 165 x 170 mm

R+M Nr.	(M)
110 00	plastic



Holding capacity 1/2" = 40 m - 3/4" = 30 m. Hole size 140 mm. W x H x D = 280 x 140 x 130 mm

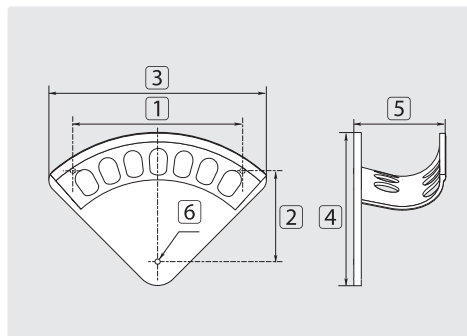
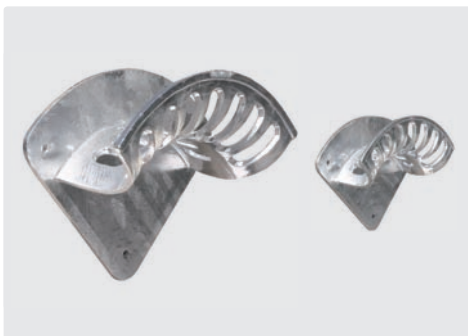
R+M Nr.	(M)
110 05	powder-coated steel



Holding capacity 1/2" = 40 m - 3/4" = 30 m. Hole size 125 mm. W x H x D = 360 x 200 x 170 mm

R+M Nr.	(M)
110 06	polished stainless steel

Hose holder aluminium



R+M Nr.	(TYP)	holding capacity	1	2	3	4	5	6
110 01	S	1/4" = 30 m - 3/8" = 20 m	155	77	188	145	70	∅, 5,5
110 02	M	3/8" = 30 m - 1/2" = 20 m	255	107	266	200	108	∅, 6,0
110 03	L	1/2" = 30 m - 3/4" = 20 m	272	145	348	255	143	∅, 8,0
110 031	XL	3/4" = 30 m - 1" = 20 m	366	162	417	307	187	∅, 10,0

Brush holder



Suitable for all brushes. Hole size 202 mm. W x H x D = 250 x 90 x 100 mm

R+M Nr.	(M)
108 290 30	stainless steel

Pre-spraying kits

Pre-spraying kits to connect to the tap



- » Lance with insulation 1200 mm
- » Suction hose 2 m. Spray hose 10 m
- » Spray nozzle 1/4" M 40° 15
- » For tap 3/4" F
- » Min. 2 bar - max. 10 bar
- » Output of approx. 150 l/h at 2 bar
- » Mixing of chemicals approx. 0 - 11,5 %
- » Please use backflow preventer (R+M Nr. 734 10)

R+M Nr.	
545 110	10 m
545 120	20 m
545 125	25 m

Hoses

Hoses for pre-spraying sets

R+M Nr.	
306 551 02	10 m
306 552 02	20 m
306 552 52	25 m

Low pressure injectors



Min. 2 bar - max. 10 bar. Output of approx. 150 l/h at 2 bar. Mixing of chemicals approx. 0 - 11,5 %

R+M Nr.	TYP	⊕	⊖
200 060 700 1	ST-60.1	3/8" M	3/8" F
050 000 370 2	o-ring		
200 061 500 3	ST-61	hose tail	∅ 6 mm

Low pressure injectors

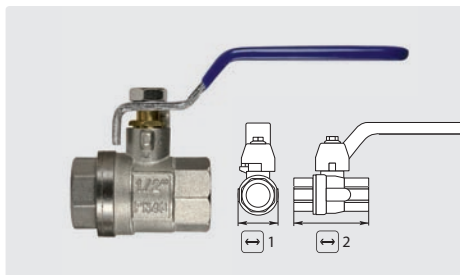


Injector with metering valve. Suction hose 1000 mm. Suction filter ST-31. 2 bar - max. 10 bar

R+M Nr.	⊕	⊖
545 101	3/4" F	3/8" F

Ball valves

Standard

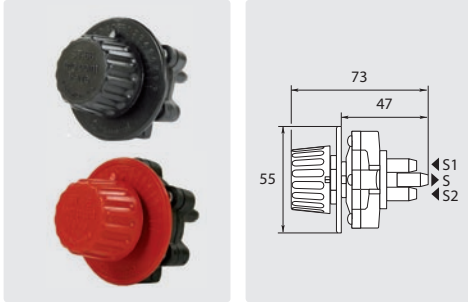


Nickel-plated brass. Ball chrome-plated.
Max. 25 bar / 60 °C

R+M Nr.	⊕	1	2
705 10	1/4"	17 mm	45 mm
705 20	3/8"	20 mm	45 mm
705 30	1/2"	24 mm	50 mm
705 40	3/4"	31 mm	56 mm
705 50	1"	36 mm	69 mm

Metering valves

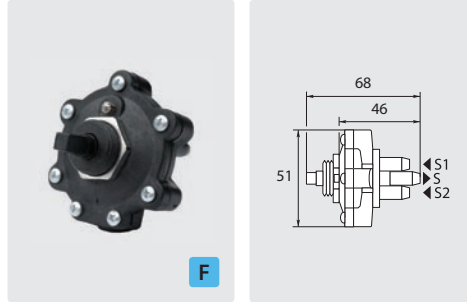
ST-66 with check valve



S = barb to pump. S1 = input barb 1. S2 = input barb 2

R+M Nr.	TYP
200 066 500	knob black
200 066 501	knob red

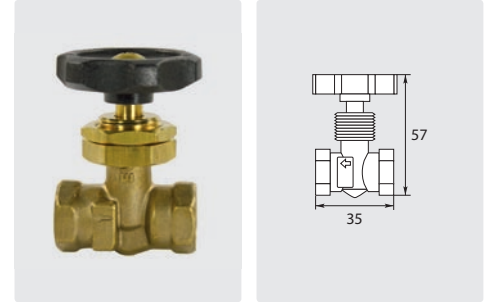
ST-66 with check valve



S = barb to pump. S1 = input barb 1. S2 = input barb 2

R+M Nr.	TYP
200 066 515	without knob

Valves with spindle

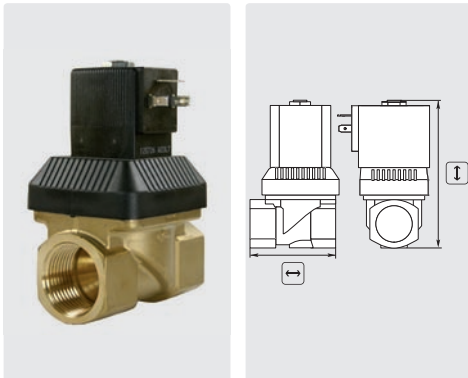


Max. 250 bar / 80 °C

R+M Nr.	⊕:⊖	TYP
535 10	1/4" F	without knob
535 15	1/4" F	with knob (panel mounting)

Solenoid valves Bürkert closed in off-position

Type 6013 without connector



0 - 10 bar / -10 - +90 °C. NBR seal (air, water)

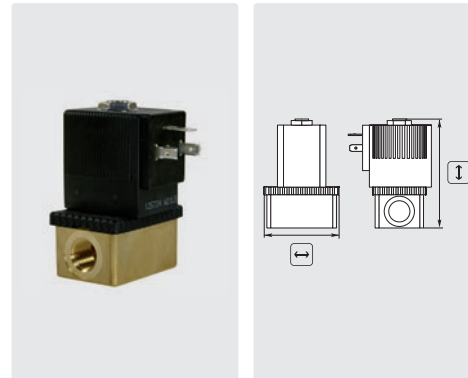
R+M Nr.	⊕	DN	coil	↔	↑
836 125 658	1/2"	13	24 V-50 Hz/8 W	59	99
836 125 660	1/2"	13	230 V-50 Hz/8 W	59	99
836 125 657	1/2"	13	24 V-50 Hz/8 W	59	99
836 126 273	3/4"	13	24 V-50 Hz/8 W	59	99
836 126 275	3/4"	13	230 V-50 Hz/8 W	59	99
836 126 272	3/4"	13	24 V-50 Hz/8 W	59	99
836 126 289	1"	20	24 V-50 Hz/8 W	80	119
836 126 291	1"	20	230 V-50 Hz/8 W	80	119

Coil type 6013



R+M Nr.	V
836 126 436	24 V/8 W
836 126 430	230 V/8 W

Type 6013 without connector



0 - 25 bar / -10 - +120 °C. FPM seal (hot air, oxygen, chemicals)

R+M Nr.	⊕	DN	coil	↔	↑
836 137 538	1/4"	2	24 V-50 Hz/8 W	49	72
836 137 540	1/4"	2	230 V-50 Hz/8 W	49	72
836 137 537	1/4"	2	24 V-50 Hz/8 W	49	72

Coil Typ 6013



R+M Nr.	V
836 645 556	24 V/8 W
836 645 558	230 V/8 W

Connector



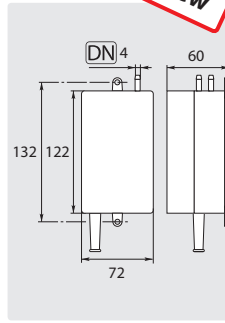
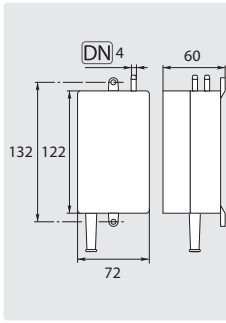
R+M Nr.
833 50

Further solenoid valves are on page 69 and 78. Other models are available on request.

Symbols ⊕ inlet ⊖ outlet ↔ length ↑ height TYP type ⊕ thread ⊘ diameter DN nominal diameter V voltage

Descaling pumps and softening agents

ST-15 descaling softening pump



Softening agents



This product bounds the minerals causing the hardness. The coil is protected against calcination.

Application:
4 ml / °dH / cbm water.
1 palett = 84 cardboard boxes (6 x 1 l)

For trailer mounted pressure washers

R+M Nr.	hp cleaner	V	←
200 015 500	< 600 l/h	230 V - 50 Hz	35
200 015 510	< 600 l/h	24 V - 50 Hz	35
200 015 505	> 600 l/h	230 V - 50 Hz	70
200 015 535	> 900 l/h	230 V - 50 Hz	140
200 015 525	> 900 l/h	24 V - 50 Hz	140

R+M Nr.	hp cleaner	V	←
200 015 526	> 900 ml/h	12 V =	140

R+M Nr.	unit	⊞
950 10	box	6 x 1 l
950 40	container	10 l
950 30	container	30 l
950 20	drum	200 l

Low pressure valves

Return valves & intake filter



YORK check valve. Valve nylon with rubber seal. Stainless steel spring. Avoids backflow in any position. 12 bar



R+M check valve. Valve nylon with rubber seal. Stainless steel spring. Avoids backflow in any position. 20 bar



Intake filter. Nylon thread. Stainless steel mesh

⊙
3/8"
1/2"
3/4"
1"
1.1/4"

R+M Nr.	⊞
733 00	46 mm
733 05	46 mm
733 10	52 mm
733 20	52 mm

R+M Nr.	⊞
733 004	44 mm
733 054	48 mm
733 104	53 mm
733 204	58 mm
733 304	66 mm

R+M Nr.	⊙	⊞
732 80	18 mm	42 mm
732 70	22 mm	38 mm
732 60	28 mm	50 mm
732 90	36 mm	57 mm
732 95	43 mm	65 mm

Backflow preventors



Chrome-plated brass. Backflow preventer according to DIN 19884 and DIN EN 1717. Avoids that cleaning agents come into the potable drink circuit in case of excess pressure in the water pipe. Required when direct connection to pump

R+M Nr.	⊙	⊞
734 10	3/4"	61 mm



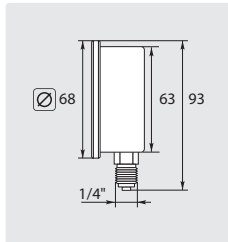
This is a special safety device that prevents water flowing back to the source, isolating the drinking water supply network from the circuit that supplies water to the cleaner. According to EN 60335-2-79: 2010. Max. 35 l/min. Min. 1 bar / max. 10 bar

R+M Nr.	⊙
734 20	3/4" M

According to the EU directives EN 60335-2-79:2010 currently in force, the water that passes through a high pressure cleaner is no longer considered fit for drinking. This is why such a cleaner cannot be connected directly to the drinking water supply network unless a back flow preventer disconnecter has been fitted.

Pressure gauges

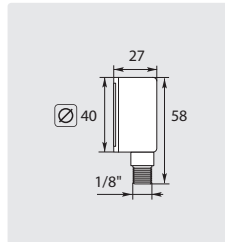
Glycerin filled



∅ 63 mm. Housing stainless steel. Inlet at bottom

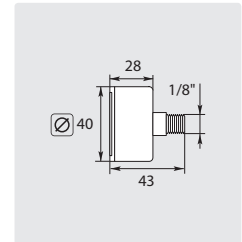
R+M Nr.	pressure range
548 90	0 - 25 bar
549 00	0 - 40 bar

Undamped



∅ 40 mm. Housing plastic. Inlet at the bottom

R+M Nr.	pressure range
547 10	0 - 16 bar



∅ 40 mm. Housing plastic. Inlet at the back

R+M Nr.	pressure range
547 50	0 - 12 bar

Further pressure gauges are on page 69.

Suttner intake filter & suction sets

ST-35 intake filter for water

Heavy version made out of plastic. Valve nylon with rubber seal. Stainless steel spring and screen. Max. 60 °C



Without check valve



With check valve



Without check valve

Suction sets with suction filter ST-31



DN
13 - 19 mm
19 - 25 mm

R+M Nr.	∅	I
200 035 500	80	147
200 035 530	80	147

R+M Nr.	∅	I
200 035 510	80	147

R+M Nr.	∅	I
200 035 600	86	225
200 035 630	86	225

R+M Nr.	TYP	⊕	↔
731 12	without valve *	ÜM 3/4" F	3 m
731 21	with valve *	ÜM 3/4" F	3 m

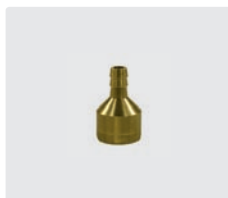
* check valve

Intake filter for chemicals



DN 6 mm. Fine filter. Fine core stainless steel screen with brazen bottom

R+M Nr.	∅	I
730 25	22	55



DN 6 mm. ST-32. Brass

R+M Nr.	∅	I
200 032 800	20	32



DN 6 - 8 mm. ST-32. Stainless steel

R+M Nr.	∅	I
200 032 600	19	39



DN 6 - 8 mm. ST-31 without check valve. Plastic. Brass weight

R+M Nr.	∅	I
200 031 600	20	75



DN 6 - 8 mm. ST-31 without check valve. Plastic. Stainless steel weight

R+M Nr.	∅	I
200 031 615	20	75



DN 6 - 8 mm. ST-31 with check valve. Plastic. Brass weight

R+M Nr.	∅	I
200 031 610	20	75

Symbols DN nominal diameter V voltage ↻ flow I height ∅ diameter ⊙ thread TYP type ⊕ inlet ↔ width I volume

Water intake filters

R+M filters



Aluminium. Complete with screen (stainless steel). 300 microns. Max. 10 bar / 80 °C / 60 l/min

R+M Nr.	☺	☹	↔	⌆
730 504	1/2" F	1/2" M	83	34



Screen. Stainless steel

R+M Nr.	micron
730 504 03	300

ST-33



Complete with screen (stainless steel). 400 micron. Max. 10 bar / 60 l/min / 60 °C

R+M Nr.	☺	☹	↔	⌆
200 033 540	1/2" F	1/2" M	69	38
200 033 550	3/4" M	3/4" F	97	43



Screen. Stainless steel

R+M Nr.	micron
120 000 765	400

ST-33



Complete with filter fine core washable (stainless steel and plastic). 50 microns. Max. 6 bar / 60 °C / 50 l/min

R+M Nr.	☺	☹	↔	⌆
200 033 700	3/4" F	3/4" M	95	112
200 033 705 *	1/2" F	1/2" M	95	112



Filter fine core washable. Stainless steel + plastic

R+M Nr.	micron
020 001 735	50
020 001 737	125

ST-33



Complete with filter fine core washable (stainless steel and plastic). 50 microns. Max. 6 bar / 60 °C / 50 l/min

R+M Nr.	☺	☹	⌆
200 033 900	3/4" F	3/4" M	141



Filter fine core washable. Stainless steel + plastic

R+M Nr.	micron
020 000 670	50

Water filter 3"



Complete with screen (plastic). 60 micron. Max. 10 bar / 50 l/min / 50 °C

R+M Nr.	☺	☹	⌆
734 40	3/4" M	3/4" F	123



Screen. Plastic

R+M Nr.	micron
734 703 060	60

Y-filter



Complete with screen (stainless steel). 500 micron. Max. 10 bar / 60 l/min / 60 °C

R+M Nr.	☺	☹	⌆
732 038	3/8" F	3/8" F	58
732 012	1/2" F	1/2" F	58
732 034	3/4" F	3/4" F	70



Screen. Stainless steel. 500 microns

R+M Nr.	TYP
732 038 11	3/8"
732 038 11	1/2"
732 034 11	3/4"

The higher the number of microns the more coarsely meshed are the meshes: 500 microns = coarse . 50 microns = fine

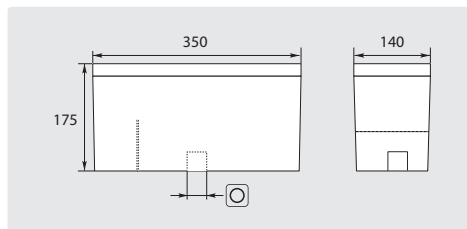
* 125 microns

Float tanks

Suttner float tank



R+M Nr.	☺	⌆
020 000 780	3/4"	71



Float tank with intake spray wall. Avoids air circulation

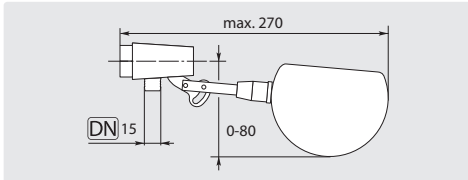
Cover Suttner float tank



R+M Nr.
020 000 800

Float valves

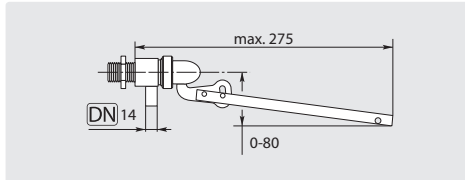
ST-8 with ball



Brass / plastic. Max. 10 bar / 22 l/min / 60 °C

R+M Nr.	Ⓢ	inner diameter
200 008 520	1/2" F	12 mm

PEKI without ball



3/8" M. Brass. Max. 10 bar / 80 °C

R+M Nr.	Ⓢ	inner diameter
701 00	16 l/min	8 mm
701 05	30 l/min	12 mm

Ball ST-8



R+M Nr.	TYP
030 000 180	swimmer
020 000 610	screw

Seal kit ST-8



R+M Nr.
200 008 495

Ball PEKI



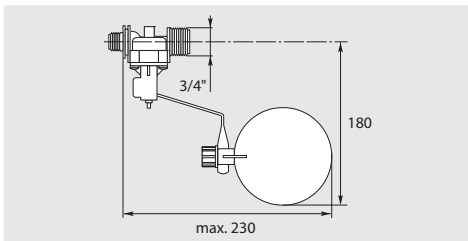
R+M Nr.
701 35

Seal kit PEKI



R+M Nr.
701 001

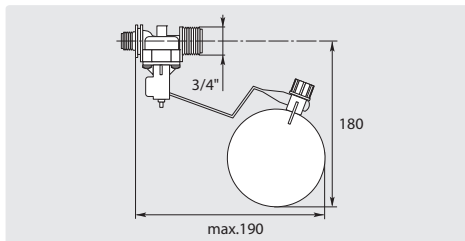
AK with ball horizontal



Plastic. Pressure 0,3 - 10 bar. Max. 22 l/min / 60 °C

R+M Nr.	Ⓢ	Ⓢ	inner diameter
701 40	3/8" M	3/4" M	10 mm
701 401	1/2" M	3/4" M	10 mm
701 402	3/4" M	3/4" M	10 mm

AK with ball vertical



Plastic. Pressure 0,3 - 10 bar. Max. 22 l/min / 60 °C

R+M Nr.	Ⓢ	Ⓢ	inner diameter
701 404	3/8" M	3/4" M	10 mm

Ball AK



R+M Nr.
701 43

Membrane AK



R+M Nr.
701 42

Accessories AK valves



Clamp

R+M Nr.
701 41



Hose tail DN 13 mm

R+M Nr.	Ⓢ
711 60	3/4" F

Plastic



Brass / plastic. 3/4" M. NW 9,5. Max. 60 °C

R+M Nr.
701 500 100

Level sensors LS809-51



Plastic. Cable length 2 x 500 mm.
250 V / 1 A / 70 W. -30 °C - 105 °C

R+M Nr.
701 880 951

Symbols Ⓢ inlet Ⓢ outlet Ⓢ length Ⓢ height TYP type Ⓢ thread Ⓢ volume Ⓢ flow

Filter housings without cartridge filter

Plastic



2-pieces. With drain. Female thread brass. Max. 10 bar / 40 °C

R+M Nr.	★	⊙	fi	I
734 50	●	3/4"	5"	188
734 60	●	1"	5"	188
734 70	●	3/4"	9.3/4"	310
734 80	●	1"	9.3/4"	310
734 820 034	●	3/4"	20"	583
734 820 001	●	1"	20"	583



3-pieces. With drain. Female thread brass. Max. 10 bar / 40 °C

R+M Nr.	★	⊙	fi	I
734 290 03	●	3/4"	5"	207
734 290 11	●	1"	5"	207
734 290 04	●	3/4"	9.3/4"	337
734 290 05	●	1"	9.3/4"	337

Brass / plastic



3-pieces. With drain. Head nickel-plated brass. Housing plastic. Max. 10 bar / 40 °C

R+M Nr.	★	⊙	fi	I
734 330 2	●	1"	9.3/4"	315

Brass / stainless steel



3-pieces. With drain. Head nickel-plated brass. Housing stainless steel. Max. 20 bar / 90 °C

R+M Nr.	★	⊙	fi	I
734 310 2	●	1"	9.3/4"	305

Screen housings



Filter 2-pieces. Plastic. Max. 40 °C

R+M Nr.	★	(TYP)
734 504	●	small*
734 704	●	big*



Filter 3-pieces. Plastic. Max. 40 °C

R+M Nr.	★	(TYP)
734 200 13	●	small**
734 200 14	●	big**
734 330 21	●	big**

O-ring



R+M Nr.	★
734 506	●●●
734 510	●
734 200 70	●●

Centering unit



R+M Nr.	★
734 210 36	●●

Mounting brackets



Single. Zinc-plated steel

R+M Nr.	★
734 299 02	●●



Single. Plastic

R+M Nr.	★
734 507	●●●



Double. Plastic

R+M Nr.	★
734 508	●●●

Keys for housing



For plastic head

R+M Nr.	★
734 505	●●●



For brass head

R+M Nr.	★
734 300 1	●
734 299 01	●●

* with o-ring ** without o-ring

Cartridge filter



Plastic cleanable. Reinforced version. Max. 40 °C

R+M Nr.	★	fi	micron	⌋
734 293 00	●●	5"	60	125
734 293 01	●●	5"	120	125
734 293 02	●●●●	9.3/4"	60	250
734 293 03	●●●●	9.3/4"	120	250



Plastic cleanable. Max. 40 °C

R+M Nr.	★	fi	micron	⌋
734 55	●	5"	60	128
734 54	●	5"	150	128
734 75	●●●●	9.3/4"	60	250
734 74	●●●●	9.3/4"	150	250



Cotton. Max. 40 °C

R+M Nr.	★	fi	micron	⌋
734 57	●	5"	5	128
734 56	●	5"	20	128
734 77	●●●●	9.3/4"	5	250
734 76	●●●●	9.3/4"	30	250
734 720 005	●●●●	20"	5	510
734 720 025	●●●●	20"	30	510



Stainless steel. Max. 120 °C

R+M Nr.	★	fi	micron	⌋
734 709 050	●●●●	9.3/4"	50	250



Iron remove filter

R+M Nr.	★	fi	⌋
734 709 060	●●●●	9.3/4"	250



Water softener. Polyphosphate

R+M Nr.	★	fi	micron	⌋
734 58	●●	5"	20	125

The higher the number of microns the more coarsely meshed are the meshes: 500 microns = coarse . 50 microns = fine

Symbols ★ marking fi filter ⌋ height TYP type

easywash365+ wash brushes - large areas are completely clean from now on!

By means of a very wide work surface of approx. 260 x 80 mm the **easywash365+** wash brush is especially designed for the efficient cleaning of large areas such as railway carriages, tramcars, omnibuses, caravans, trucks, boats and ships, facades, greenhouses as well as vehicles, motorcycles and many more.

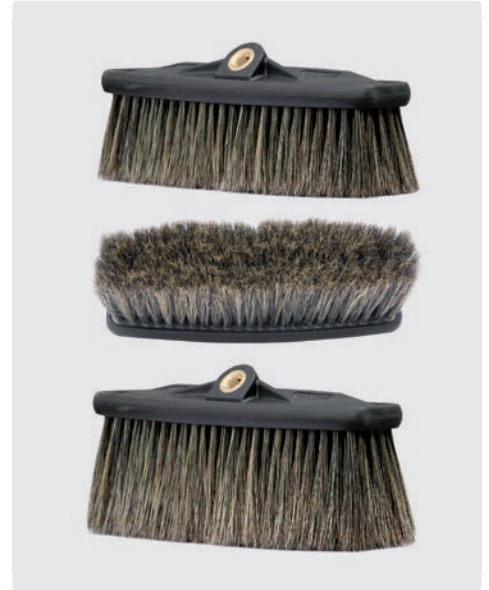
Fine and extremely soft natural bristles with split ends ensure an especially gentle cleaning of sensitive surfaces such as windows and car finish. The solid body of the **easywash365+** wash brush consists of 152 bristle bundles which are attached undetachably by means of multi-component synthetic resin.

Our **easywash365+** wash brush convinces all users working in the self-service foam- and prewash of an ideal and very easy handling.

The soft coating of the body made out of thermoplastic elastomer demonstrably protects sensitive surfaces from damages.

The inlet of the **easywash365+** wash brush is equipped with a brass insert with 1/4" female thread which is fixed in the body. By means of an additional grub screw the high pressure lances available at self-service bays are safe from twisting and theft. Therefore, the grub screw needs to be screwed to the lance tube. Further fastening plates or protection against theft are not required.

13 outlet ports at the bottom of the **easywash365+** wash brush enable the required water flow and guarantee a convincingly good foam quality at the same time.



Wash brushes



260 x 80 mm. Hog hair. Max. 40 l/min / 60 °C

R+M Nr.	bristles
200 023 550	60 mm



260 x 80 mm. Hog hair. Max. 40 l/min / 60 °C

R+M Nr.	bristles
200 023 650	90 mm



260 x 80 mm. Hog hair / synthetic. Max. 40 l/min / 60 °C

R+M Nr.	bristles
200 023 660	90 mm

Wash brushes

Wash brushes



260 x 80 mm. Hog hair. Max. 50 °C

R+M Nr.	bristles
200 023 600	90 mm

Frames for wash brushes



1/4" F. Frame with fixing bolts. 260 mm. Plastic. Max. 50 °C

R+M Nr.	
200 023 520	260 mm



1/4" F. Frame with fixing bolts. 260 mm. Stainless steel. Max. 50 °C

R+M Nr.	
108 290 12	260 mm

Covers



Cover suitable as theft protection for wash brushes. Plastic. Max. 50 °C

R+M Nr.	
020 001 540	260 mm

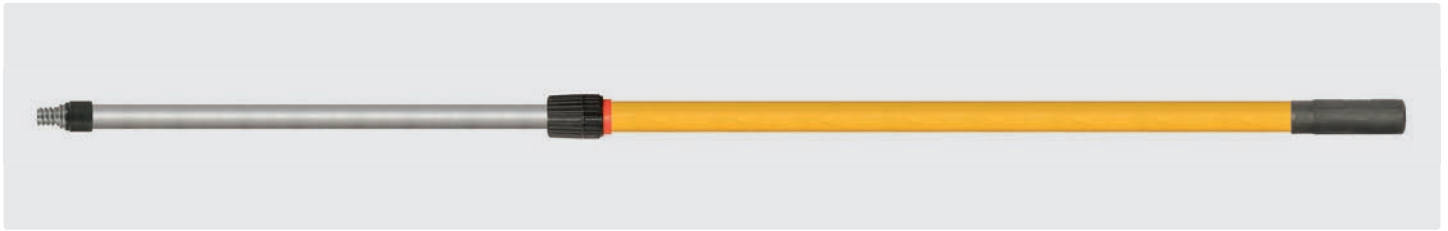


1/4" F. Frame. 260 mm. Plastic. Max. 50 °C

R+M Nr.	
200 023 510	260 mm

Telescopic lances & wash brushes

Telescopic lances with coarse thread



Telescopic lances with coarse thread. Telescopic handle without water flow

R+M Nr.	☐	
525 050	900 - 1800 mm	
525 070	1800 - 3600 mm	
525 085	1800 - 5400 mm	
525 100	2400 - 7200 mm	



Telescopic lances with coarse thread. Telescopic handle with water flow

R+M Nr.	☐	⊙
525 200	900 - 1800 mm	3/4" F
525 300	1800 - 3600 mm	3/4" F

Wash brushes with coarse thread



Bristles 60 mm. Soft. 250 x 80 mm

R+M Nr.	VPE
525 000	1



Bristles 60 mm. Hard. 250 x 80 mm

R+M Nr.	VPE
525 010	1

R+M EcoLine with coarse thread



Bristles 60 mm. Hard. 250 x 80 mm

R+M Nr.	VPE
525 015	1
525 016	6

Accessories for telescopic lances with coarse thread



Screw connection

R+M Nr.
525 901



Angle adaptor

R+M Nr.
525 040



Spare valve. 3/4" M : 3/4" F

R+M Nr.
525 900

Further telescopic lances are on page 219 and further wash brushes are on pages 245-249.

Symbols ⊙ thread ☐ length VPE packing unit

Vorwerk lances & wash brushes

The original



Extension pipe with water flow

R+M Nr.	↔	↻	⊗
523 790 1	1000 mm	1/4" M	1/4" F
523 790 2	1500 mm	1/4" M	1/4" F
523 790 3	2000 mm	1/4" M	1/4" F

Vorwerk wash brushes



1/4" F. 320 x 100 mm. Nylon

R+M Nr.	bristles
523 780	60 mm



1/4" F. 260 x 80 mm. Hog hair

R+M Nr.	bristles
523 70	60 mm
523 75	90 mm

Adaptor



Adaptor for lances with coarse thread.

Coarse thread : 1/4" M

R+M Nr.
010 003 610



Insert. 260 x 80 mm. Hog hair

R+M Nr.	bristles
523 72	60 mm
523 73	90 mm



1/4" F. Frame. 260 mm. Aluminium

R+M Nr.
523 76

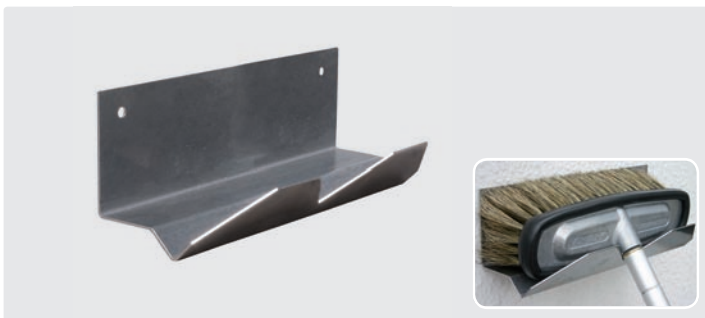
Air injector



1/4" F : 1/4" M. Flow at 100 bar

R+M Nr.	↻	⊗
108 290 60	13 l/min	1,5
108 290 20	34 l/min	2,5

Brush holder



Suitable for all brushes. Hole size 202 mm. W x H x D = 250 x 90 x 100 mm

R+M Nr.	(M)
108 290 30	stainless steel

easywash365+ brush holder



Container with overflow and lateral drain for cleaning. For wall and soil mounting. H x W x D = 670 x 340 x 143 mm

R+M Nr.	(M)
105 810	stainless steel

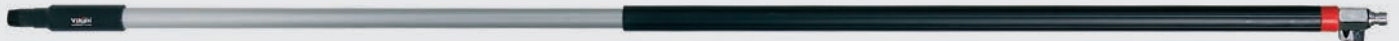
Symbols ⊗ inlet ⊖ outlet ↔ length ← flow ⊗ diameter (M) material ℃ temperature

Handles with water flow



Aluminium handle. Ergonomic handle with insulated grip. Connector suitable for Nito system

R+M Nr.	∅	↔	M	°C
527 001 405	34 mm	1020 mm	aluminum	max. 50 °C



Aluminium handle. Ergonomic handle with insulated grip and ball valve. Connector suitable for Nito system

R+M Nr.	∅	↔	M	°C
527 001 406	34 mm	1630 mm	aluminum	max. 50 °C



Aluminium handle. Ergonomic handle with insulated grip. Hose tail suitable for 1/2" and 3/4"

R+M Nr.	∅	↔	M	°C
527 001 400	34 mm	1600 mm	aluminum	max. 50 °C



Aluminium handle. Telescopic handle with insulated grip. Hose tail suitable for 1/2" and 3/4"

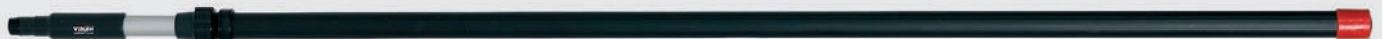
R+M Nr.	∅	↔	M	°C
527 001 402	50 mm	1630 - 2750 mm	aluminum	max. 50 °C

Handles without water flow



Aluminium handle. Ergonomic handle with insulated grip

R+M Nr.	∅	↔	M	°C
527 001 403	34 mm	1500 mm	aluminum	max. 50 °C



Aluminium handle. Telescopic handle with insulated grip

R+M Nr.	∅	↔	M	°C
527 001 401	50 mm	1630 - 2750 mm	aluminum	max. 50 °C

Wash brushes with water flow

Hand wash brushes



Brush with integrated water flow. Connection suitable for 16 mm (universal). Ideal for smaller cleaning applications. Bristles 50 mm

R+M Nr.	↔	(M)	°C
527 001 103	350 mm	polyester	max. 50 °C

Rim brushes for trucks / busses



Brush for the cleaning of rims of trucks and busses. Connection for aluminium handles. Bristles 50 mm

R+M Nr.	↔	(M)	°C
527 001 102	230 mm	polyester	max. 50 °C

High-low wash brushes



The form of the brush assures that the bristles are in constant contact with the surface. The brush is equipped with a rubber edge. Connection for aluminium handles. Bristles 50 mm

R+M Nr.	↔	(M)	°C
527 001 104	250 mm	polyester	max. 50 °C

Wash brushes swivelling



Brush with swivel. The inclined/slanted bristles ensure that all corners can be reached. The brush is equipped with a rubber edge. Connection for aluminium handles. Bristles 50 mm

R+M Nr.	↔	(M)	°C
527 001 101	200 mm	polyester	max. 50 °C

Wash brushes



Solid brush suitable for larger surfaces. Suitable for cleaning of upper areas. The brush is equipped with a rubber edge. Connection for aluminium handles. Bristles 50 mm

R+M Nr.	↔	(M)	°C
527 001 109	260 mm	polyester	max. 50 °C



Solid brush suitable for larger surfaces. Suitable for cleaning of upper areas. The brush is equipped with a rubber edge. Connection for aluminium handles. Bristles 50 mm

R+M Nr.	↔	(M)	°C
527 001 100	400 mm	polyester	max. 50 °C

Further brushes and brooms are presented in the chapter car wash.

Quick couplings suitable for Nito system



Hose tail for 1/2" hose

R+M Nr.	(M)
527 003 001	nickel-plated brass



Hose tail for 3/4" hose

R+M Nr.	(M)
527 003 002	nickel-plated brass



Plug 1/2" M

R+M Nr.	(M)
527 003 003	nickel-plated brass

Symbols ↔ length (M) material °C temperature ⊙ thread ⊞ volume

Foam gun



Applications

Designed for applications with acidic and caustic cleaner, soaps, disinfectants, degreasing and softening agents. The field of application is very versatile.

- » Food industry and canteen kitchen
- » Sanitary facilities and swimming baths
- » Cleaning of trucks, cars and other vehicles
- » Garages and petrol stations
- » Shops and workshops

The foam gun directly connected to the public water pipe produces a cleaning foam by means of foam injector. The water pressure sucks in the cleaning agent and air, both are being mixed to consistent foam, sprayed out via the spraying head and the foam wand. The cleaning agent can also purposely and automatically be diluted via a built-in proportioner so that the right mixture of chemical and water as foam can be chosen for the cleaning application.

Technical specifications

Water pressure 2,5 - 6 bar (for maximum accuracy 3 - 4 bar)

Output 5,5 l/min

Mixing Ratio

Multi-ratio dial has 5 mixing settings and off



A	B	C	D	E	0
1:128	1:64	1:32	1:20	1:10	off

R+M Nr.		
106 996 500	3/4" F	1 l
106 996 510	3/4" F	2 l

Features

- » Exceptional chemical resistance to acidic and caustic cleaner
- » Foam generating wand creates a thick clinging foam
- » Automatic dosing of chemicals
- » Durable polymer mixing head with stainless steel screws
- » Multi-ratio dial has 5 mixing settings and off
- » Anti-siphon built into handle
- » Gun is removable from quick coupling for clear rinsing with water
- » Easy filling by means of wide mouth
- » Only works with water pipe pressure
- » Suitable for all customary water couplings

Please use the backflow preventer (R+M Nr. 734 10 or 734 20) on page 26.

