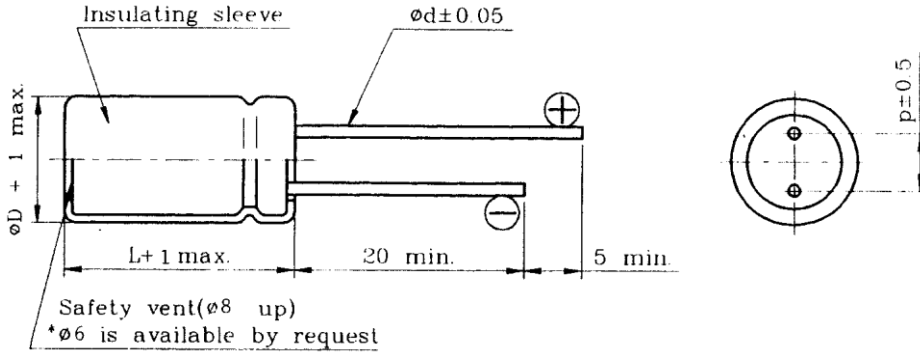






## ECR SERIES

### Diagram of dimensions



DØ	5	6	8	10	13	16	18	22	25
F	2.0	2.5	3.5	5.0	5.0	7.5	7.5	10	12.5
dØ	0.5		0.6		0.8		1.0		1.0

### Case Size of Standard Products

UF <sup>WV</sup>	6.3V	10V	16V	25V	35V	50V	63V	100V
0.47					□	5x11	5x11	5x11
1	ALL BLANK VOLTAGE ON SLEEVE MARKING IS SAME VOLTAGE "□" POINT TO				□	5x11	5x11	5x11
2.2					□	5x11	5x11	5x11
3.3					□	5x11	5x11	5x11
4.7					□	5x11	5x11	5x11
10		□	5x11	5x11	5x11	5x11	5x11	6x11
22		□	5x11	5x11	5x11	5x11	6x11	6x11/8x12
33		□	5x11	5x11	5x11	6x11	6x11	8x12
47	□	5x11	5x11	5x11	5x11/6x11	6x11	6x11/8x12	10x13
100	5x11	5x11	5x11	6x11	6x11/8x12	8x12	10x13	10x21
220	5x11	6x11	6x11	8x12	8x14/10x13	10x13/10x16	10x16/10x21	13x26
330	6x11	8x12	8x12	8x14	10x13/10x16	10x17/10x21	10x20/13x21	13x26/16x26
470	6x11	8x12	8x12	8x14/10x13	10x16	13x21	13x26	16x26
1000	8x12	8x14	10x16	10x21	13x21	13x26/16x26	16x25/16x32	18x41
2200	10x16	10x16	13x21	13x21/13x26	16x26	16x36	18x36	
3300	10x21	13x21	13x26	16x26	16x32	18x36	22x41	
4700	13x21	13x26	16x26	16x32	18x36	22x41	25x41	
6800	13x26	16x26	16x32	18x36	22x41	25x41		
10000	16x26	16x36	18x36	22x41	25x41	25x50		

UF <sup>WV</sup>	160V	200V	250V	350V	400V	450V
0.47	5x11	5x11	5x11	6x11	6x11	6x11
1	5x11	6x11	6x11	6x11	8x12	8x12
2.2	6x11	6x11	6x11	8x12/10x13	10x13	10x13/10x16
3.3	6x11	6x11	8x12	10x13	10x13	10x16
4.7	8x12	8x12	10x13	10x13	10x16	10x21
10	10x13	10x16	10x16	10x21	13x21	13x26
22	10x16	10x21	10x21	13x21	13x26	16x26
33	10x21	13x21	13x21	16x26	16x26	16x32
47	13x21	13x21	13x26	16x32	16x32	16x36
100	16x26	16x26	16x32	18x41		
220	16x36	18x36				
330	18x41					
470	18x41					