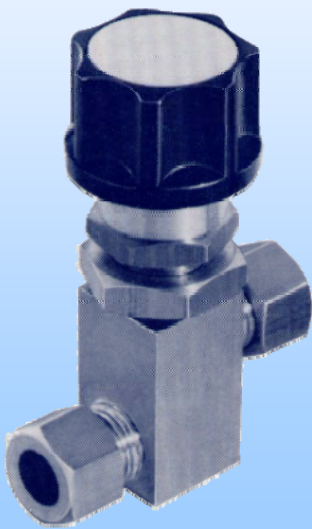
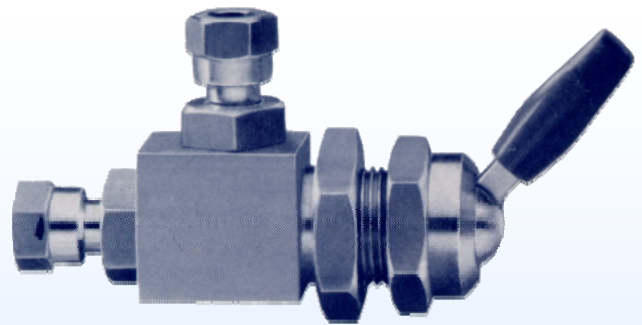
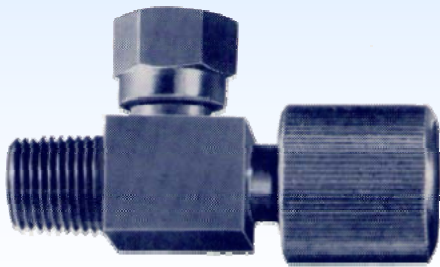




MINIATURE VALVES



**MINIATURE VALVE
BROCHURE**

The Drallim Group

Leading innovators in technology and quality

In the interests of technical progress the company reserves the right to make design and manufacture changes to the goods described in this brochure.
Any details in this brochure must NOT be reproduced or copied in any form without prior permission of Drallim Industries.

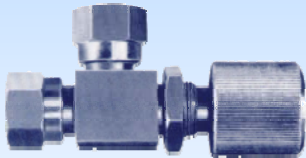


Contents

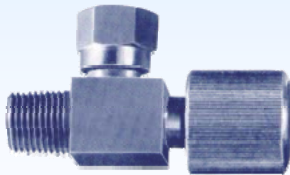
Series 1500 & 4500 Control Valves	Page 2
Series 2200 & 2300 Control Valves Quick Acting	Page 3
Series 511 Control Valves Clearflow	Page 4
Series 2500 & 2510 Toggle Valves	Page 5



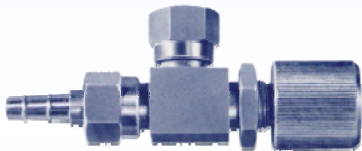
Series 1500 & 4500 Control Valves



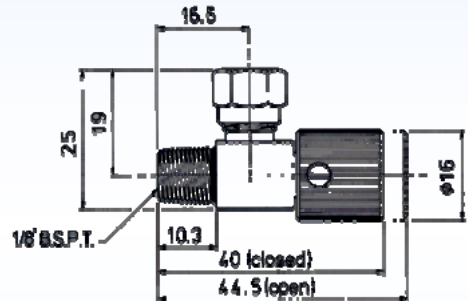
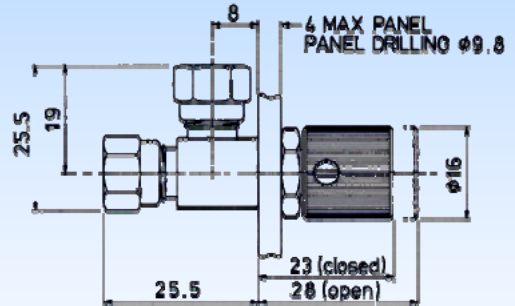
Panel mounted
1500 Control
4500 Metering



Stud mounted
1510 Control
4510 Metering



Barb Adaptors
TC271 3/16in Tube
TC273 1/4in Tube



Drallim miniature valves are also suitable for soft plastic tubing using special barb spigot adaptors.

Technical data

Fluids

Air and other gases, vapours and liquids compatible with the materials of construction.

Pressures

-1 to +10 bar

Temperatures

-15 to +60°C, dependant on o-ring and tube seal materials.

Materials

Bodies - Brass

Stems - 1500 Delrin

4500 316 stainless steel

Metering orifice – P.T.F.E

Springs - Stainless steel

Ordering Code

Connector Size

Tube OD

1/8in	R
3/16in	A
1/4in	B
4mm	004
5mm	005
6mm	006

O-Ring Material

Nitrile	NE
Viton	VN

Type Designation

Control

Panel	1500
Stud	1510

Metering

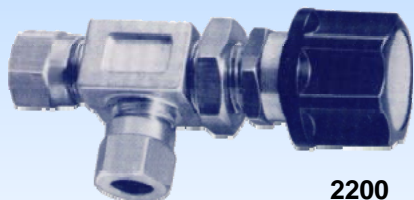
Panel	4500
Stud	4510

EXAMPLE:

1500 NE B



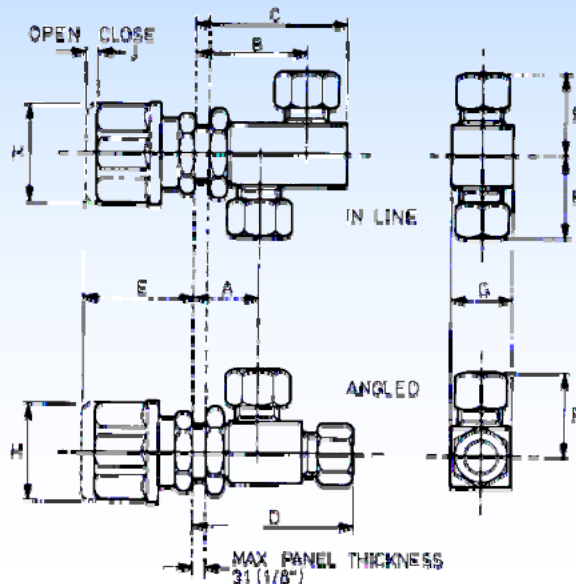
Series 2200 & 2300 Control Valves Quick Acting



2200
3.5mm Bore, angled
Connector Size
3/16in, 1/4in, 6mm



2300
5mm Bore, in-line
Connector Size
5/16in, 8mm



	A	B	C	D	E	F	G	H	J	PANEL DRILLING
3.5mm BORE TYPE 2200	16.5	24.5	34.5	37.5	26	19	15	Ø21	1.5	Ø11.5
5.0mm BORE TYPE 2300	18	29	39	42	30	22	16	Ø26	2.5	Ø15.0

Technical data

Fluids

Air and other gases, vapours and liquids compatible with the materials of construction.

Pressures

-1 to +10 bar

Temperatures

-40 to +80°C, dependant on o-ring and tube seal materials.

Materials

Bodies – Brass
Stems - Brass
Springs - Stainless steel
Knob - Black phenolic

Ordering Code

Connector Size

Tube OD

3/16in **A**
1/4in **B**
5/16in **C**
6mm **006**
8mm **008**

O-Ring Material

Nitrile **NE**
Viton **VN**

Inline **18**
Angle **19**

Type Designation

2200
2300

EXAMPLE: 2200 18 NE B



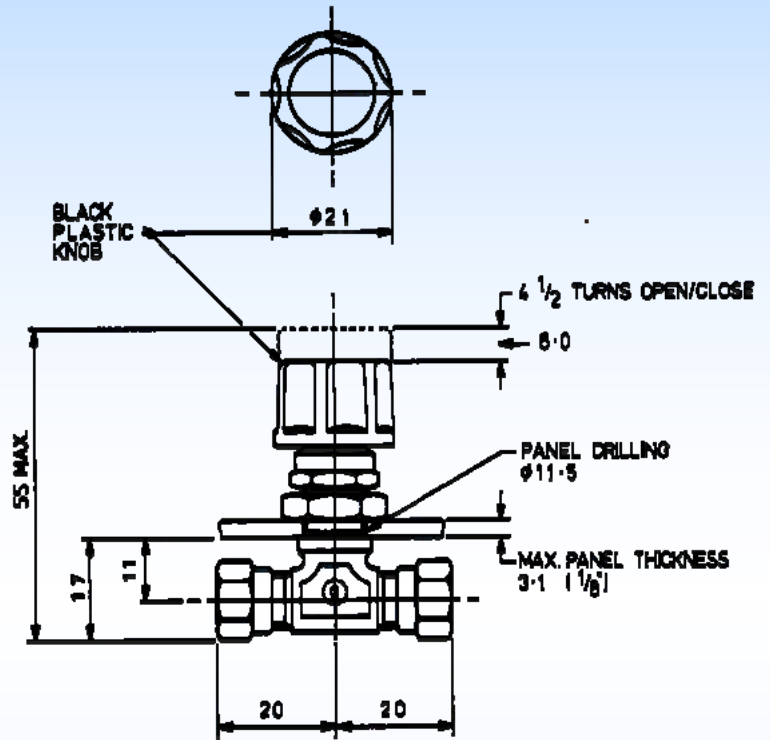
Series 511 Clearflow Control Valves



511
2mm bore, 1/8in unions



511
4mm bore, 1/4in unions



Technical data

Fluids

Air and other gases, vapours and liquids compatible with the materials of construction.

Pressures

-1 to +10 bar

Temperatures

-40 to +80°C, dependant on o-ring and tube seal materials.

Materials

Bodies - Brass
Stems - Brass & stainless steel
Valve Seat - Nitrile
Knob - Black phenolic

Ordering Code

Connector Size

Tube OD

1/8in **R**
1/4in **B**
6mm **006**

Sealing Material

Nitrile **NE**

Type Designation

511

EXAMPLE:

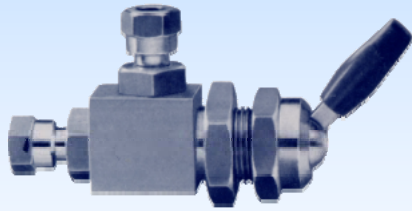
511 NE B

The Drallim Group

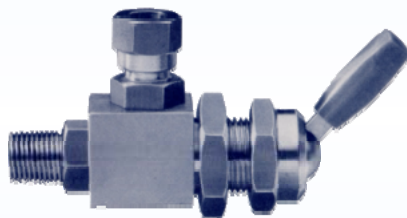
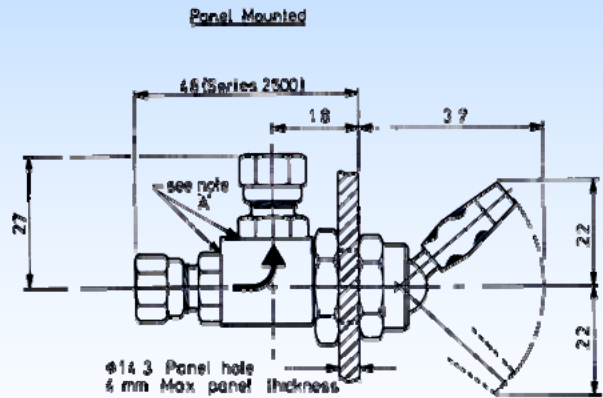
Leading innovators in technology and quality



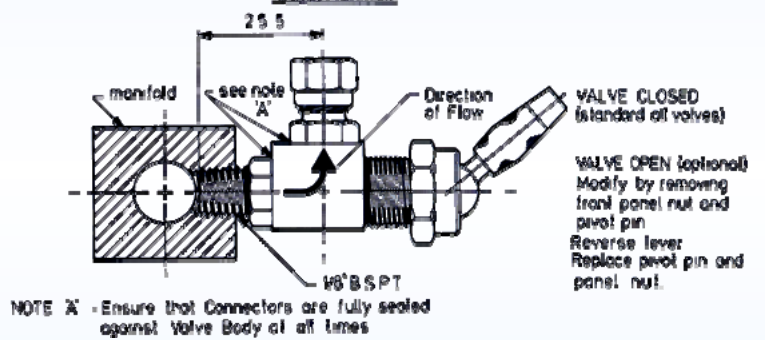
Series 2500 & 2510 Toggle Valves



2500
Union Connection



2510
Stud Connection



Technical data

Fluids

Air and other gases, vapours and liquids compatible with the materials of construction.

Pressures

-1 to +10 bar

Temperatures

-15 to +80°C, dependant on o-ring and tube seal materials.

Materials

Bodies - Brass
Stems - Delrin
Springs - Stainless steel

Ordering Code

Connector Size

Tube OD

1/8in	R
3/16in	A
1/4in	B
5mm	005
6mm	006

O-Ring Material

Nitrile	NE
Viton	VN

Type Designation

Union	2500
Stud	2510

EXAMPLE: 2500 NE B



Notes

[Empty box for notes]

Contact Us

If you would like further information on any aspect of this publication, or would like to discuss your remote monitoring needs, please contact:

Drallim Industries Ltd.

Millwood House,
Drury Lane,
Ponswood Industrial Estate,
St. Leonards-on-Sea.
East Sussex.
TN38 9BA
England.

Phone: +44 (0)1424 205140

Fax: +44 (0)1424 202140

E-Mail: sales@drallim.com

Drallim Industries Inc.

Flow Solutions Inc.
4401 South Pinemont Drive,
Houston.
Texas 77041
United States of America.

Phone: +1 713 939 7000

Fax: +1 713 939 7999

E-Mail: dralliminc@drallim.com

Website: www.Drallim.com