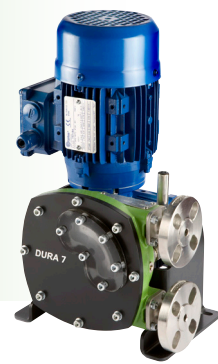
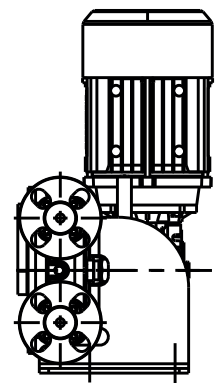
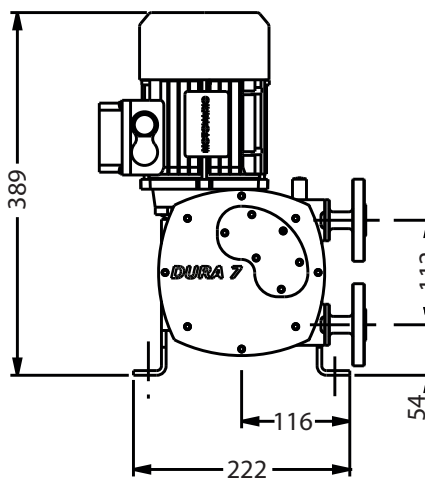
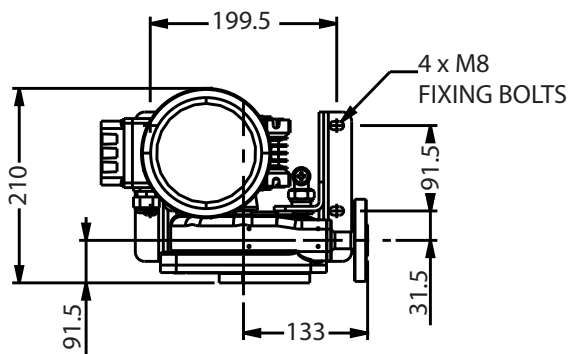


# Verderflex Dura 7



VERDERFLEX®

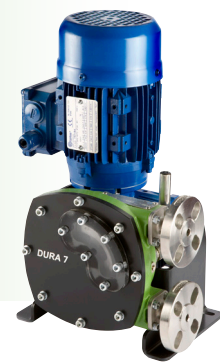
Description	Material	Paint Detail
Pump Housing	Cast Iron (GG25)	Green Powder Coated
Front Cover	Carbon Steel with Plexiglass Inspection Window	Powder Coated
Rotor	Cast Iron (GG25)	
Drive Shaft	EN24T Steel	
Port Flange	304 Stainless Steel slotted design fits to DIN PN16, ANSI 150# & JIS10K Insert Options: 316 Stainless Steel, Polypropylene or P.V.D.F Insert	
Mounting Frame	Carbon Steel	Powder Coated
Torque Arm	Carbon Steel	Powder Coated
Bearing	Bearing Steel	
Shaft Seal	Viton Option: PTFE	
Lubricant	Verderlube - Glycerine based lubricant Verdersil - Silicone based lubricant	
Hose	Natural Rubber (NR) Options: Nitrile Buna Rubber (NBR) and Hypalon® (CSM)	
Weight	Complete pump excluding drive: 19 kg	



All dimensions are in mm.  
All dimensions and weights are for guidance only.

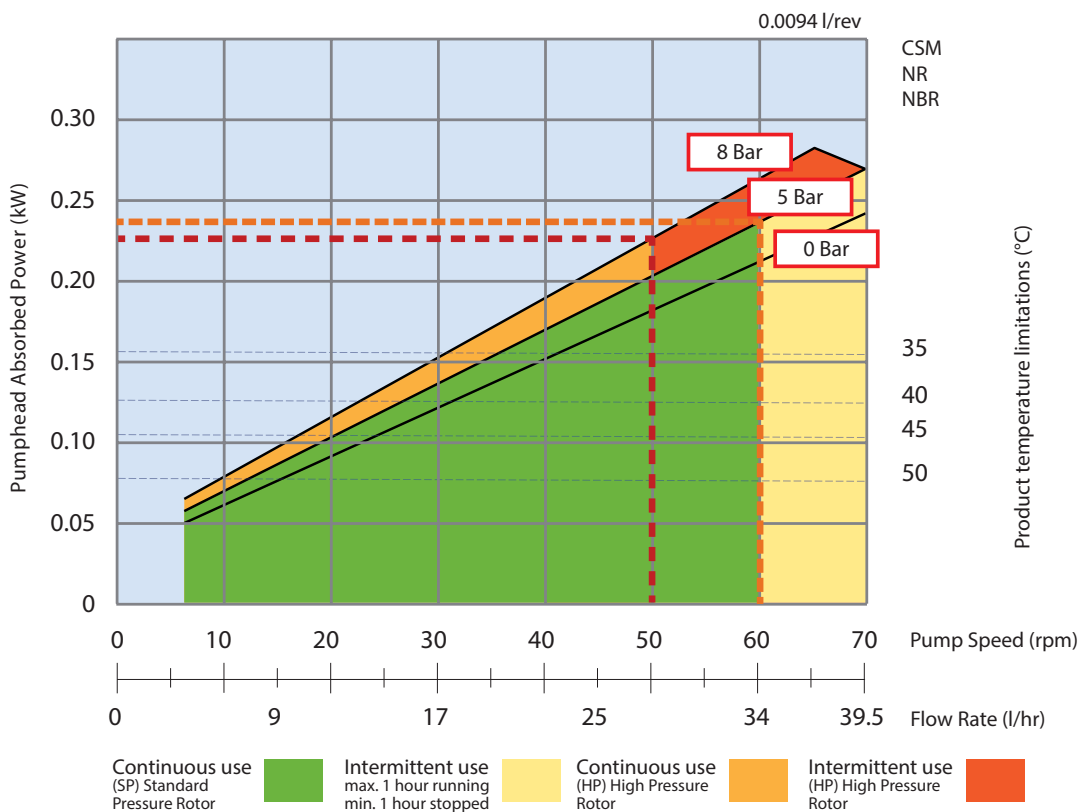


# Verderflex Dura 7



## Standard Pump Options for 50Hz Motor Fitted With Worm Gearbox, Suitable for Inverter Duty

Flow l/hr	Pump Speed RPM	Installed Motor Power kW	Max Turndown at 5 Bar discharge pressure
6	11	0.15	3:1
13	23	0.18	3:1
20	35	0.25	10:1
27	47	0.37	10:1
32	56	0.37	5:1
39	70	0.55	3:1



Flows are typical and were measured with water at 20°C with no suction lift or discharge pressure. Actual flows will vary according to suction conditions, discharge pressure and normal component production tolerances.

Find your local supplier  
at [www.verderflex.com](http://www.verderflex.com)

For construction installation and floor mounting drawings  
please contact your local authorised Verderflex® distributor.

**VERDER**  
passion for pumps