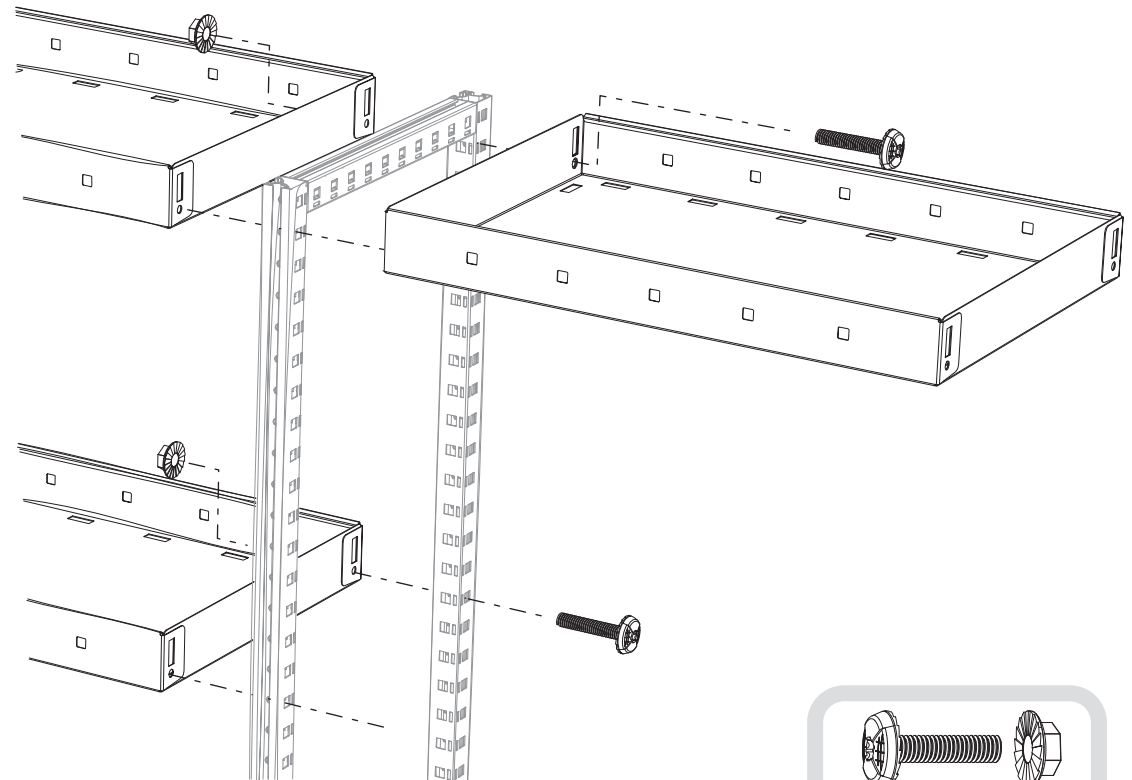
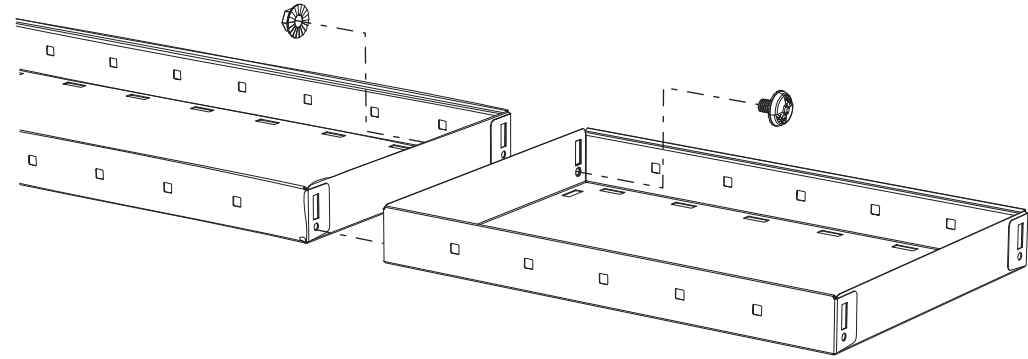
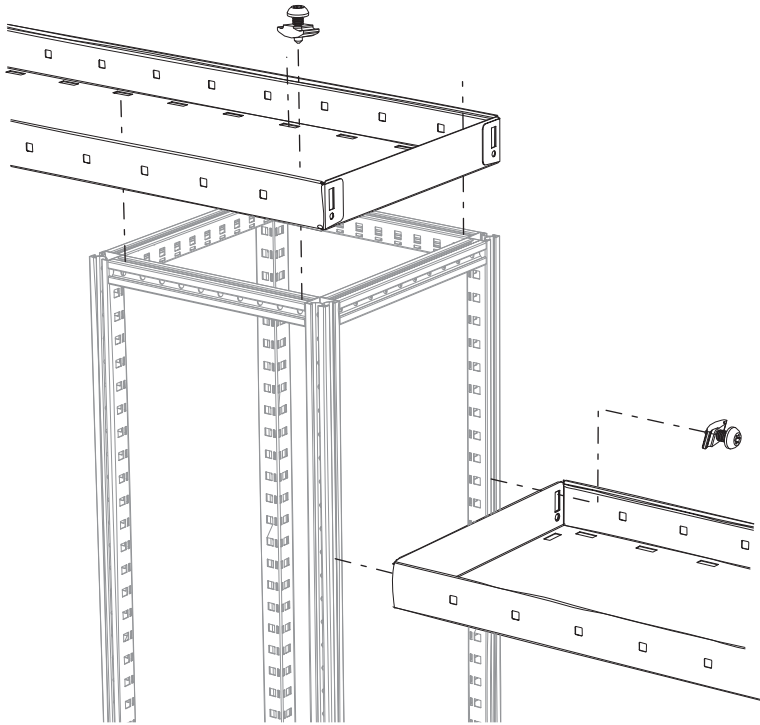




2x (M6 x 12)



4x (M6 x 40)

1

2

3

Max. 11 Nm



6x (M6 x 16)