

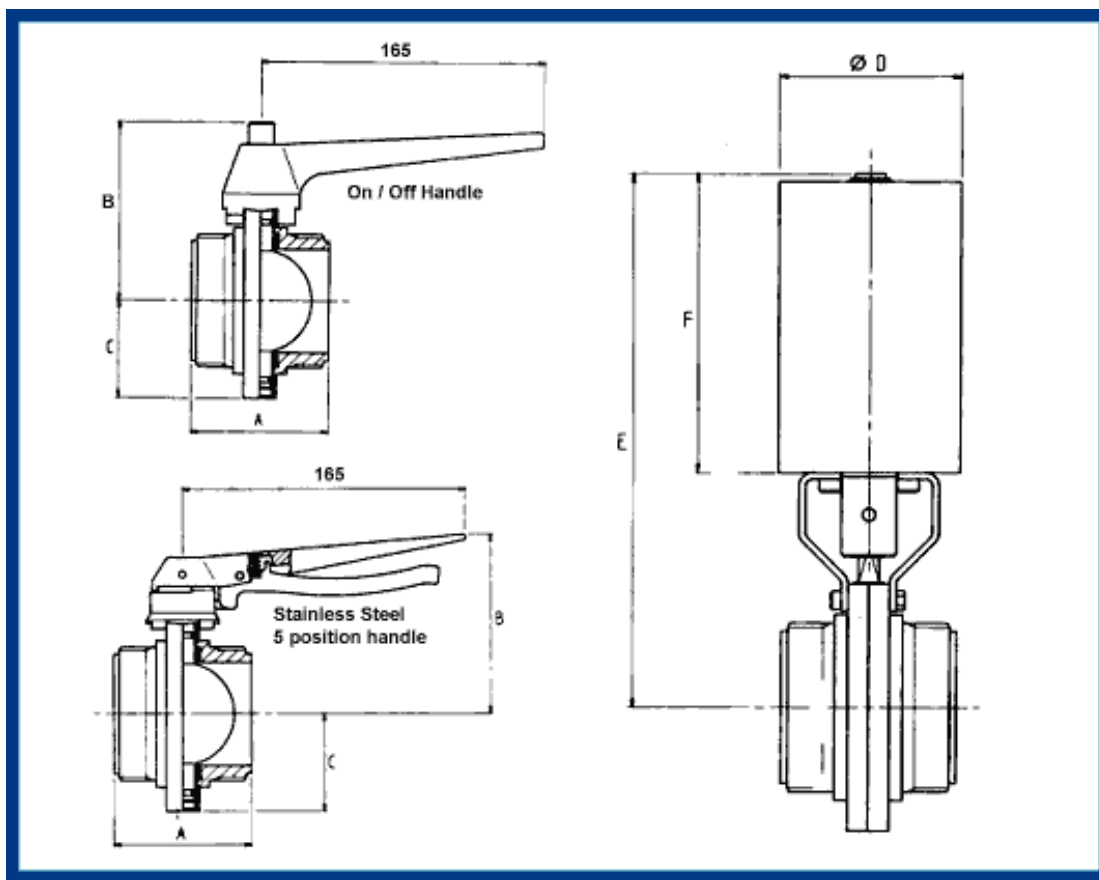


a stainless technologies company

Diamond Butterfly Valves

The **Diamond Butterfly Valve** is a hygienic, in-line, 1/4 turn or multi-position unit for manual and actuated service.

- Fully machined from 316L forgings for a high quality, non porous construction.
- Polished, crevice free disc which is easily cleaned.
- 'O' ring spindle is environmentally sealed.
- Spindle bearings fit into seal cross holes resulting in low torque.
- Range of seal materials available including EPDM, Silicone, Viton steam resistant and Nitrile to suit your application.



Valve Dimension 'A'

FITTING TYPE		DIMENSION 'A' mm	
		1.0" - 3.0"	4.0"
RJT	MALE	80	90
	FEMALE	85	125
IDF	MALE	80	100
	FEMALE	102	160
ILC	MALE	80	100
	FEMALE	102	142
CLAMP		60	100
BUTT WELD ENDS		60	100

MANUAL FLANGED	260	260
ACTUATED FLANGED	140	140

Maximum Operating Pressure: 10 Bar. Working Temperature dependent on seal materials range -10°C up to 150°C. Valves can be supplied to operate outside these parameters - please enquire.

For other combinations, [contact DPL](#).

Other Dimensions

Size	1.0"	1.5"	2.0"	2.5"	3.0"	4.0"
B mm	90	94	101	107	113	129
C mm	39.5	43.5	50.5	57	63	79
Dia. D mm	83	83	83	102	102	102
E mm	231	235	242	268	275	291
F mm	138	138	138	160	160	160

Actuation and Control

Butterfly valves can be supplied fitted and tested with a comprehensive range of pneumatic and electric actuators including all ancilliary equipment such as solenoids, limit switches and positioners.

ATEX approved version available for use in potentially explosive atmospheres.

Group 2, Category 2, Gas and dust compliant



Dairy Pipe Line Ltd, Unit 1, Dencora Park, Shire Hill, Saffron Walden, Essex CB11 3GB.
 Tel: +44 (0)1799 522 885 | Fax: +44 (0)1799 525 916
 Email: dairypipelines@dpluk.co.uk www.dpluk.co.uk

