

**INDUSTRIAL CRANES**  
NUCLEAR CRANES  
PORT CRANES  
HEAVY DUTY LIFT TRUCKS  
SERVICE  
MACHINE TOOL SERVICE

**CLICK DUCTOR & KONEDUCTOR**

**KONECRANES<sup>®</sup>**  
Lifting Businesses™

## Flexible Power Supply **Click Ductor & Koneductor**



**Click Ductor & Koneductor are designed** for new cranes or modernizations of existing ones.

Their reliable technology and flexibility make them an ideal system for supplying electricity to the crane for many years to come.

## Flexible Power Supply

### Click Ductor

**Click Ductor** is a compact construction for copper conductors. It is easy to assemble and flexible in length due to its modular system. The copper conductors are secured inside the structure, and the four-meter-long modules are easy to connect, up to 800-meter-long (2625 ft) tracks, whenever necessary.

Click Ductor provides 7 channels for copper conductors and for systems up to 110A, there are no tools needed!

All joint clamps are connected without screws. The construction of Click Ductor enables high travel speeds up to 80 m/min (262 ft/min).

Dust, humidity and moisture protection is ensured with the Click Ductor housing, which can be totally enclosed by using flexible sealing stripes (protection class IP44/NEMA12). Thus, Click Ductor is reliable even under extreme outdoor conditions.

### Koneductor

Konecranes' conductor bar system called **Koneductor** for crane power supply is a way to conduct electricity from the power grid to the crane. Due to the absence of the plug connectors, Koneductor provides an extremely smooth connection that minimizes the brush wear on the collector trolley. With this system, high travel speeds up to 250 m/min (820 ft/min) are possible.

Koneductor has an extendable capacity by just changing the copper conductors inside the housing. The system's structure is very sustainable and safe, avoiding problems associated with added resistance at joints and increased voltage drop characteristics when joints loosen or corrode.

Click Ductor and Koneductor provide reasonable solutions for the modernization of old electricity supply systems or for totally new systems.

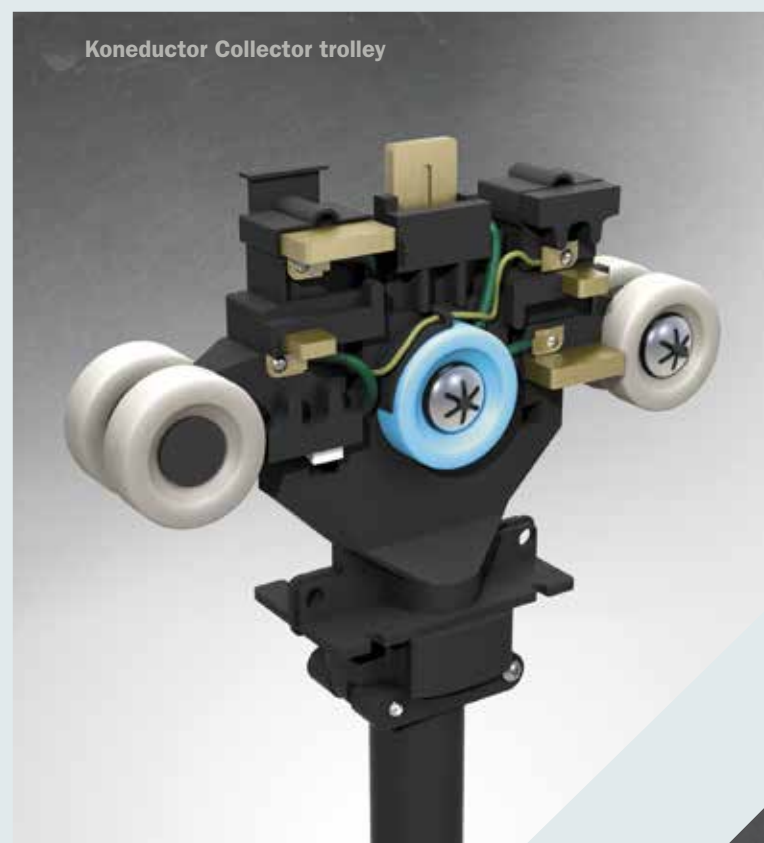
Koneductor provides 7 channels for uninterrupted copper conductors. Its construction enables high travel speeds up to 250 m/min (820 ft/min).

The brushes are favorably located in the PVC housing, and contact with the flat copper conductors is maintained by spring pressure. This provides maximum power transmission. To ensure maximum reliability of the supply, the Koneductor system uses double collectors as a default. The voltage drop, however, is absolutely minimal. Thus, there is no added resistance at the joints or increased voltage drop consequences when using Koneductor.

Click Ductor



Koneductor Collector trolley



Koneductor



Click Ductor Trolley



*This publication is for general informational purposes only and we reserve the right at any time to alter the product design and specifications. No statement of this publication shall be construed as a warranty or condition, express or implied, as to any product, its fitness for any particular purpose, merchantability, quality or representation of the terms of any sales agreement.*



INDUSTRIAL  
CRANES



NUCLEAR  
CRANES



PORT  
CRANES



HEAVY DUTY  
LIFT TRUCKS



SERVICE



MACHINE  
TOOL  
SERVICE



Konecranes is a world-leading group of Lifting Businesses™ offering lifting equipment and services that improve productivity in a wide variety of industries. The company is listed on NASDAQ OMX Helsinki Ltd (symbol: KCR1V). With over 11,500 employees at more than 600 locations in almost 50 countries we have the resources, technology and determination to deliver on the promise of Lifting Businesses™.

© 2012 Konecranes. All rights reserved. 'Konecranes', 'Lifting Businesses' and  are registered trademarks of Konecranes.

## Click Ductor

- 6 different conductor sizes: 50A, 80A, 110A, 125A, 160A, 200A
- Up to 400A with parallel-mounted conductors
- Compact construction, housing is only 51.4 mm wide (2") and 86.25 mm high (3.4")
- Housing made out of PVC, protection class IP44 (NEMA12)
- Track lengths up to 800 m (2625 ft)
- Ideal for outdoor applications
- Yellow uninterrupted earth marking indicates the earth conductor

## Koneductor

- 5 different conductor sizes: 35A, 50A, 80A, 125A, 160A
- Parallel-mounted systems; the maximum current capacity is 320A
- Compact construction, housing is only 51.4 mm wide (2") and 86,25 mm high (3.4")
- Housing made out of PVC, protection class IP44 (NEMA12)
- Ideal for outdoor applications
- Standard housing length is 4 m (13.1 ft), shorter lengths are available

