

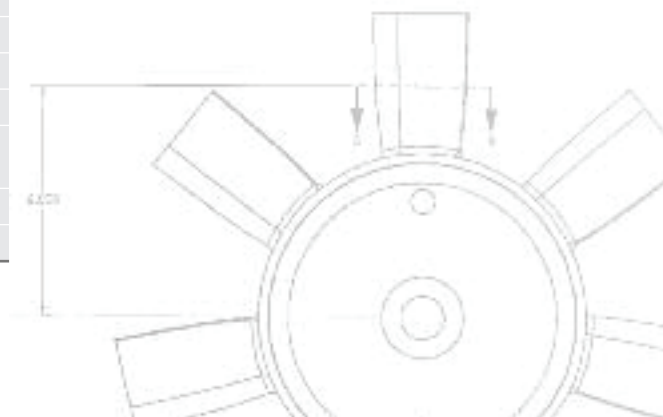


SIE Heavy Duty Portable Industrial Ventilator

- Highly manoeuvrable with forklift channels
- Tough, durable design made with heavy guage steel
- Inspection door and drain shaft seal
- Silenced to minimise disturbance to surroundings and improve working environment
- Easily exchange filters, filters slide in and out
- Unrivalled performance
- Mounted using anti vibration deflectors

Optional Accessories: anti static ducting, inlet pre filter section alluminium ducting pieces

| MODEL | SIE HDV |
|----------------------|----------------------------------|
| FREE AIRFLOW* | 10,000cfm / 17,000m ³ |
| FILTER TYPE | G4 Particulate Filter |
| WEIGHT | 375kg |
| DIMENSIONS (h/w/d**) | 2207(+silencer)/1041/1124 |
| NOISE | <80 db @ 2m |
| MOTOR | 15kw 2 pole |



The Complete Supply Solution