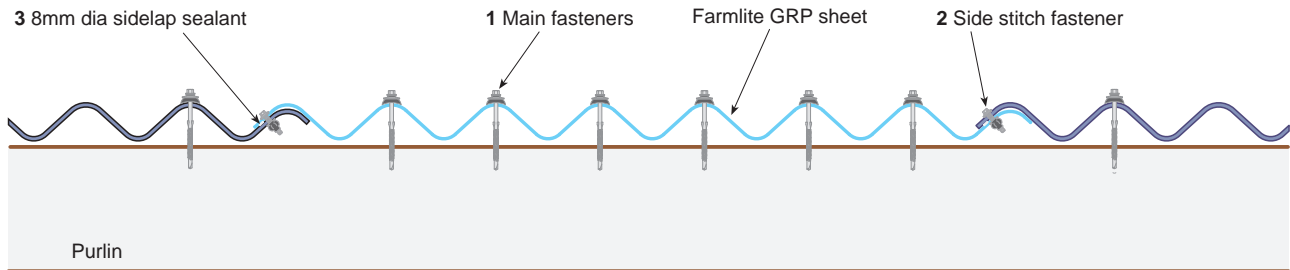




Daylight Systems

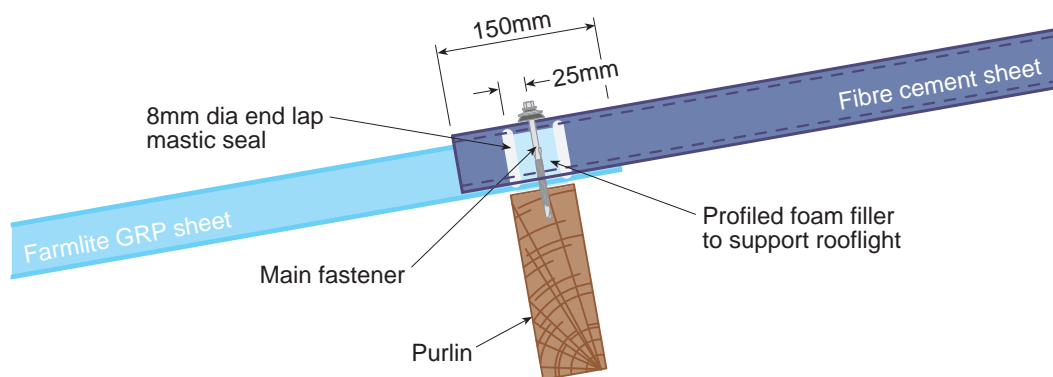
INSTALLATION INSTRUCTIONS: Farmlite GRP sheet



- 1 **MAIN FASTENERS**
6.5mm diameter BAZ type fasteners fitted with flexible rubber washer. Do not over tighten fixings. There should be six main fixings per purlin, fitted through the crown of the corrugation (not side lap corrugations). * see below for typical references
- 2 **SIDE STITCH FASTENER - ROOFLIGHT OVERLAP**
Side stitch at 300mm to 400mm centres on the side of the corrugation as shown, using expanding rubber bolt fasteners.* see below for typical references
- 3 **SIDELAP SEALANT**
Single strip of 8mm dia UV stable pale coloured cross linked butyl mastic (BMDS:GCA) - positioned on the side of the corrugation just outside the line of sidelap fasteners.
- 4 **ENDLAP SEALANT**
All endlaps should be sealed with 2 rows of 8mm dia, UV stable, pale coloured cross linked butyl mastic (BMDS:GCA). Positioned 25mm either side of the line of fasteners.

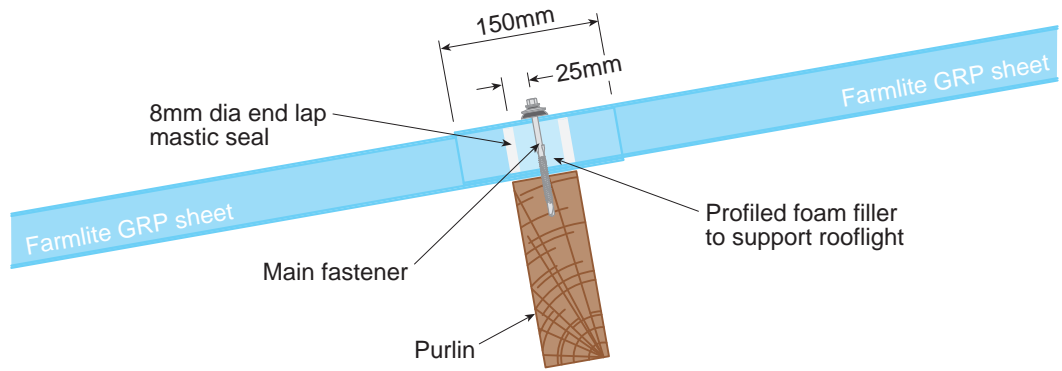
Farmlite GRP rooflights are designed for use on a roof pitch of 6° or more with fibre cement sheeting on all sides; for non-standard applications such as rooflights installed in banks along the roof, consult BMDS Technical.

ENDLAP - FIBRE CEMENT SHEET OVER ROOFLIGHT

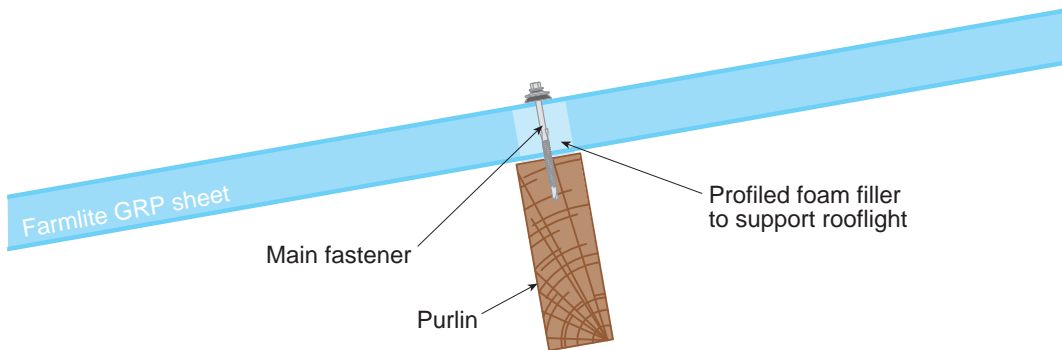


*	SFS	EJOT
Main Fasteners	SCFW-BAZ-6.5x95	JT2-FZ-F-6.5x100-FZD
Underlap Side Stitch	LLP-T-T16-9.5x25	CF15-RLS-25

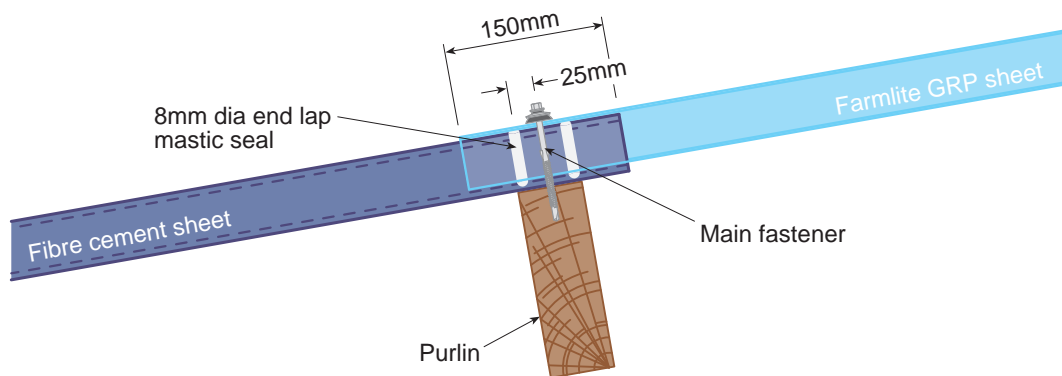
ENDLAP - ROOFLIGHT TO ROOFLIGHT



MID SPAN ARRANGEMENT



END LAP - ROOFLIGHT OVER FIBRE CEMENT SHEET



Daylight Systems

Alderman's Green Ind Est **Coventry** CV2 2QU Tel: 024 7660 2022 daylight@brettmartin.com www.daylightsystems.com

Brett Martin Daylight Systems operates a policy of continuous product improvement, and reserves the right to alter specifications at any time without notice. Every effort has been taken to ensure all details contained in this document are correct at time of going to press but this document should be used only as a guide and does not in any way form part of a contract or warranty. It is the customer's responsibility to ensure that the product is suitable for the actual conditions of use, which are beyond the control of Brett Martin Daylight Systems.