

APPLICATION DATA SHEET

OLIVER IGD

Control Systems

Transmitters

Sensors

Accessories



TOCSIN 625

Fast, Effective Gas Detection System Controller

TOC-625 is a multi-channel detector controller in an easily installed and implemented small format package. The system can be used with any of the Tocsin Addressable range detectors or I/O modules providing maximum flexibility. The controller can be wall mounted or panel mounted and has a pump and duct mount options. The controller has two SPCO relays as standard with three 4-20mA outputs and an RS485 Modbus interface.

Features

- Flexible Power Supply Options
- Wall or Panel Mounting
- Relay Outputs as Standard
- 4-20mA Outputs as Standard
- RS485 Modbus as Standard
- Control up to 8 Devices as Gas Detectors or I/O Modules
- LCD Display With Multi Colour Backlight, Flashes Red on Alarm, Flashes Yellow on Fault etc
- Battery Backup Option

Standard Specifications

Power	110/230V AC 50/60Hz 25W Standard 24V DC Option
Construction	ABS
Display	2 Lines x 8 Digit LCD Display Multi-Colour Backlight (Red-Alarm, Yellow-Fault, Blue-Normal)
Outputs	2 off SPCO Relays 4A Non-Inductive User Configurable 3 off 4-20mA Linear Outputs User Configurable
Other I/O	Sounder 80dB @ 100mm (Mutable) RS485 Port Modbus
Inputs	8 off Addressable Series Detectors or I/O Modules
Temperature	-5 to 55 Deg C
Humidity	0-95% RH Non-Condensing
Sealing	IP54
Mounting	Wall Mount, Panel Mount Kit Option, Duct Mount Kit Option
Weight	840g

APPLICATION DATA SHEET



Control Systems

Transmitters

Sensors

Accessories

EC Declaration of Conformity



Issuers name and address:

Oliver IGD Limited of
4a Pepper Rd
Stockport, SK7 5BW
United Kingdom

Declares that the product listed as:

TOC-625

Single or Multi-Channel Detector Control Panel

Are in conformity with the provisions of the following European Directive(s) when installed, operated, serviced and maintained in accordance with the installation and operating instructions contained in the product documentation.

2004/108/EC **EMC Directive**
2006/95/EC **Low Voltage Equipment Directive** (note not applicable to 24V DC Powered Versions)

And that the standards and/or technical specifications referenced below have been applied or considered.

EN 61779-1:2000 Electrical apparatus for the detection and measurement of flammable gases, general requirements and test methods.

EN 50271:2001 Electrical apparatus for the detection and measurement of combustible gases, toxic gases or Oxygen: requirements and tests for apparatus using software and or digital technologies. *Excluding requirements for SIL*

Technical File Reference T625-TF9

Notified Body For ATEX and/or QAN:

Sira Test & Certification Ltd
Hazardous Area Centre,
Rake Lane
Eccleston,
Chester,
CH4 9JN.
United Kingdom

Oliver IGD Limited operate an independently assessed ISO9001:2008 Quality Assurance System and ATEX QAN.

Quality Assurance Certificate Number

023827

Quality Assurance Notification Number

SIRA 02ATEX M174

Testing Agency:

TUV - SUD
Octagon House
Concorde Way
PO 15 5RL Fareham



Issued on: At Oliver IGD Limited, Stockport, SK7 5BW , United Kingdom

Signature:  Declaration of Conformity in accordance with EN ISO/IEC 17050-1:2004

Name Andrew J Collier M.I.O.D

Position: Managing Director Date: 5.October 2013 Declaration Ref: TOC-625-DEC-1



Tel: +44 (0)161 483 1415
Fax: +44 (0) 161 484 2345
Email: sales@internationalgasdetectors.com
Website: www.internationalgasdetectors.com



APPLICATION DATA SHEET



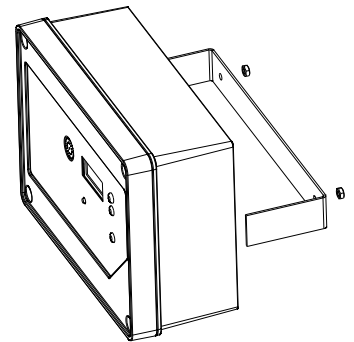
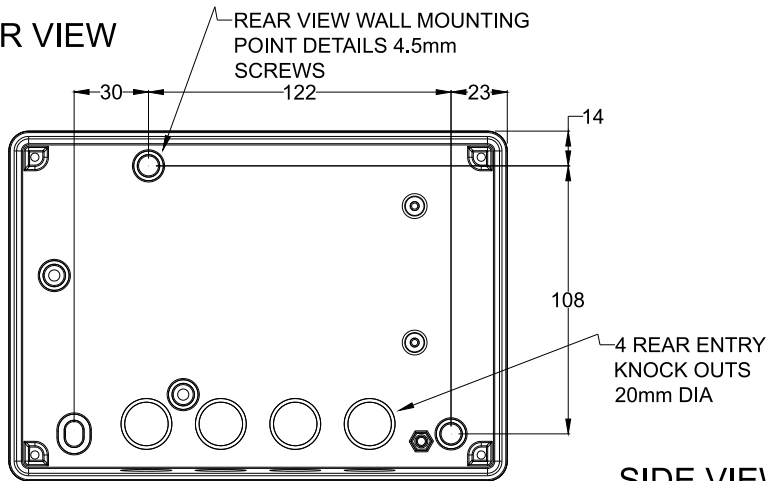
Control Systems

Transmitters

Sensors

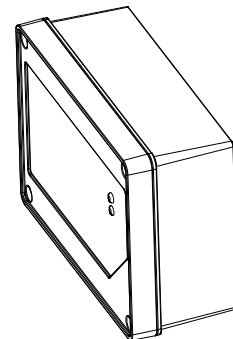
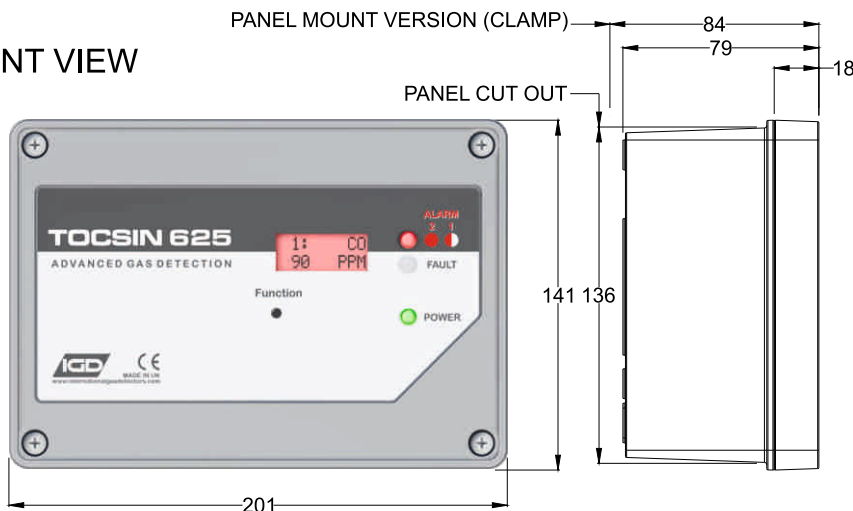
Accessories

REAR VIEW



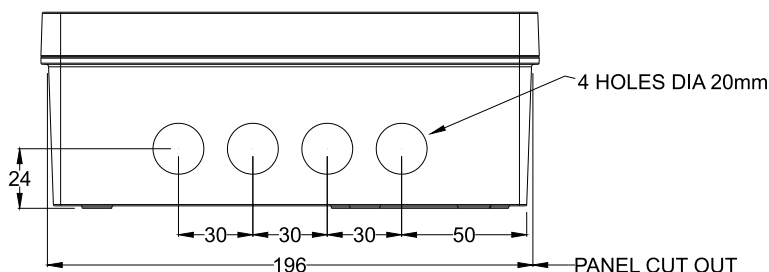
Optional Panel Mounting Kit
PN 5686401

FRONT VIEW



Optional Battery Backup Kit
PN 5686601

BOTTOM VIEW



Note this module uses the same style enclosure as the TOC-625 and houses batteries and charge control. It is usually mounted below the TOC-625 and is supplied with all required connectors.



International Gas Detectors

CH₄ H₂S CO₂
NO₂ NO SO₂



Pepper Road
Bramhall Technology Park
Stockport
SK7 5BW
England

Tel: +44 (0)161 483 1415

Fax: +44 (0) 161 484 2345

Email: sales@internationalgasdetectors.com

Website: www.internationalgasdetectors.com



023827
Ref ROS625C

APPLICATION DATA SHEET

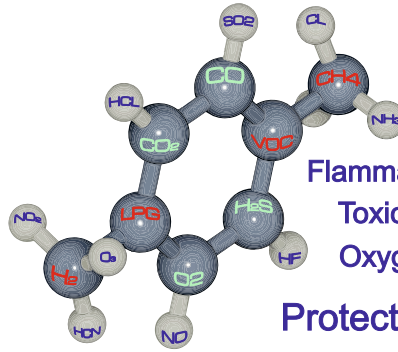


Control Systems

Transmitters

Sensors

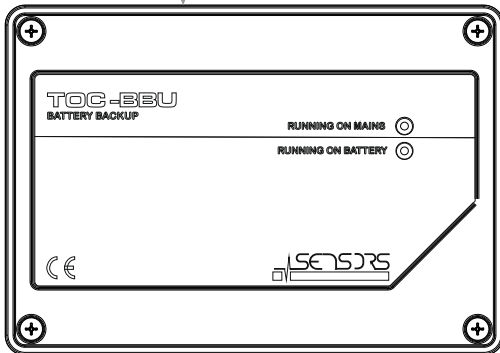
Accessories



Flammable Gas Detection
Toxic Gas Detection
Oxygen Depletion

Protecting People Since 1917

Combine Controllers With Detectors and I/O Nodes as Required



Use with TOC-30 Series Detectors and I/O modules. ABS housed detectors sealed up to IP65 rating.



This detector series is standard 2 gang mount for surface, flush mounting or mounting to dado rail.



Interface to TOC-30 Series annunciators for additional I/O functions. The smart alternative to beacons, sounders and slam switches.



Interface to TOC-20 Series Infra Red CO2 Sensors. Reliable accurate CO2 monitoring with humidity and temperature readings.

TOC-625 Controller 110/230V AC	5685401
TOC-625 Controller 24V DC	5686501
TOC-625 Controller Panel Mount Kit	5686401
TOC-625 Battery Backup Module	5686601



Pepper Road
Bramhall Technology Park
Stockport
SK7 5BW
England

Tel: +44 (0)161 483 1415
Fax: +44 (0) 161 484 2345
Email: sales@internationalgasdetectors.com
Website: www.internationalgasdetectors.com



023827
Ref ROS625C

APPLICATION DATA SHEET



Control Systems

Transmitters

Sensors

Accessories

Analogue Output Interfaces

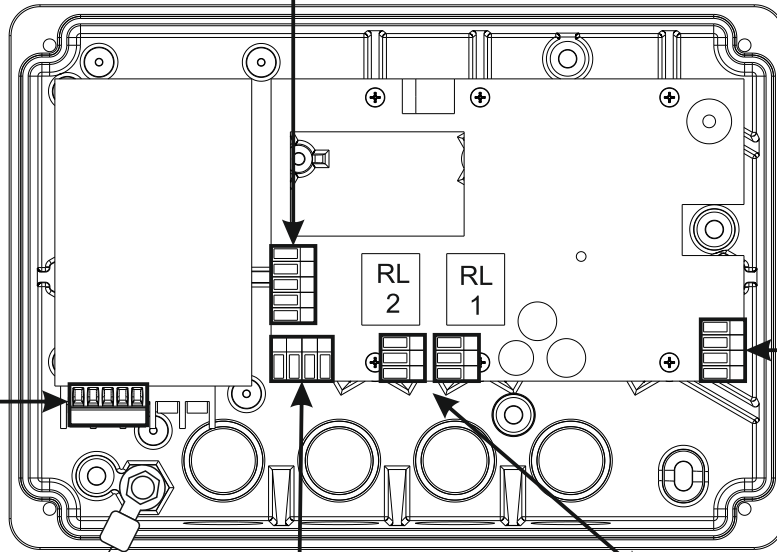
+24V DC
-24V DC
mA Sig 1
mA Sig 2
mA Sig 3

Note as standard mA outputs are set. These can be re-configured as 0-10V signals

Mains Power Connector
110/230V AC 50/60Hz

L	n	c	N	n	c	E
---	---	---	---	---	---	---

Front View Cover Open

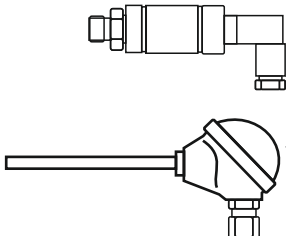


RS485 Modbus Comms Port

0V DC
A
B
24V DC

Connect to detectors and nodes using 4 core 1.5mmSQ CY style cable or FP200 style cable as appropriate. Cable screens should be terminated as indicated

Connect up to 8 addressable devices. These can be Gas Detectors or by using the available I/O Nodes any 4-20mA Device such as pressure or temperature transmitters, read these back to the control panel as any other detector and set alarms as required.



Detector I/O Interface				
0V DC	A	B	24V DC	

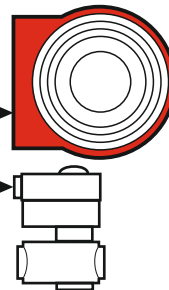
Normally Closed
Common
Normally Open

Connections common to each of the two relay outputs

SCRN	0V DC	A	B	24V DC
Detector				
SCRN	0V DC	A	B	24V DC

Gas detectors count as one device, there can be any mix of gas detector types on the highway. For example Flammable Gas Detectors, Carbon Monoxide, Oxygen etc.

SCRN	0V DC	A	B	24V DC
24V DC	Input 1	I/O Node		Relay 1
Input 2	0V DC			Relay 2
SCRN	0V DC	A	B	24V DC



Each I/O Node counts as one device and can be used to interface to analogue devices and provide additional relay outputs where they are needed to control items such as beacon-sounders, solenoids or interfaces to fire panels. Depending on loading external power may be required.



International Gas Detectors

CH₄ H₂S CO₂
NH₃ SO₂ NO NO₂ CO



Pepper Road
Bramhall Technology Park
Stockport
SK7 5BW
England

Tel: +44 (0)161 483 1415
Fax: +44 (0) 161 484 2345

Email: sales@internationalgasdetectors.com
Website: www.internationalgasdetectors.com



023827
Ref ROS625C