

The Zehnder Selection Brochure
Decorative radiators, towel rails and extractor fans
1st April 2014

zehnder

always
around you

Heating

Cooling

Fresh Air

Clean Air



Zehnder – everything you need to create a comfortable, healthy and energy-efficient indoor climate

Heating, cooling, fresh and clean air: at Zehnder, you will find everything you need to create a comfortable, healthy and energy-efficient indoor climate. Zehnder's wide and clearly structured portfolio can offer the right product for any project, be it private, public or commercial, new build or refurbishment. And where service is concerned, you'll find that Zehnder is "always around you".

Heating

At Zehnder, **heating** doesn't just come in the form of designer radiators. We offer solutions in all shapes and sizes, from radiant ceiling panels to heat pumps with integrated ventilation unit.

- Designer radiators
- Compact energy station with integrated heat pump
- Heating and cooling ceiling systems
- Comfortable indoor ventilation with heat recovery
- Radiant ceiling systems



Zehnder designer radiators, Zehnder Nestsystems

Cooling

Zehnder also offers sophisticated solutions for indoor **cooling**. These range from cooling ceiling systems to comfortable indoor ventilation with a supply of pre-cooled fresh air.

- Heating and cooling ceiling systems
- Compact energy station with heat pump and brine pipe
- Comfortable indoor ventilation with geothermal heat exchanger for fresh air pre-tempering
- Radiant ceiling systems



Zehnder heating and cooling ceiling systems, Zehnder Nestsystems



Most innovative brand
in the category
heating & climate

zehnder

always
around you

Fresh Air

Fresh Air – a product range with a long tradition at Zehnder. Zehnder Comfosystems provides products and solutions for comfortable indoor ventilation with heat recovery for houses and apartments, for new builds and for renovation projects.

- Comfortable indoor ventilation
- Compact energy station with integrated ventilation unit



Clean Air

Zehnder Clean Air Solutions provide Clean Air in buildings particularly prone to dust. In residential applications, the comfortable indoor ventilation provided by Zehnder Comfosystems filters external pollutants out of the air.

- Comfortable indoor ventilation with integrated fresh-air filter
- Compact energy unit with integrated fresh-air filter
- Systems for clean air





There's always a good reason for choosing

Zehnder: starting with more than 100 years of experience as a company which is today part of an international group, to the high quality of materials, production and finishing, and to our service, which means all-round advice and support.







As a multiple award winner, Zehnder designs are often copied. They are synonymous with top-quality, modern products. Many Zehnder inventions have become industry standards of today, such as the multi-column radiator and the towel radiator.


With 80 years of experience and competence, you can depend on Zehnder's tailored service and products, delivering bespoke products and colours allowing for individuality and pleasing aesthetics.


Our state-of-the-art factories across Europe enable Zehnder to produce high quality products from top quality materials using certified processes which include all-round quality and leakage testing.

Zehnder products can provide you with the ideal solutions for a comfortable, healthy and energy-efficient indoor climate.

Symbol Key







- | | |
|--|---|
|  Steel radiators |  Dual energy radiators |
|  Stainless steel |  m2m radiators |
|  Electric radiators |  Colour |

 All products are CE approved.

 All central heating products certified to EN442.

STOCK: All products listed in bold black type are stocked items.

Product Index	6
Heated towel rails for cloakrooms	7
Heated towel rails for bathrooms	14
Stainless steel heated towel rails and radiators	58
General purpose radiators	74
Electric radiators	110
Extractor fans	116
Accessories, valves, dual energy and electric products	122
Technical specifications	132
How to select the correct radiator	154

Model	 steel radiators	 stainless steel/brass radiators	 electric radiators	 dual energy radiators	 m2m radiators	 colour availability	CE technical data
Heated towel rails for cloakrooms							
Zehnder Ax Spa (formerly Altai Spa)	pg 8	-	-	✓	-	✓	pg 137
Zehnder Charleston Bar	pg 10	-	-	-	pg 78	✓	pg 138
Zehnder Metropolitan Spa	pg 12	-	-	✓	-	✓	pg 137
Zehnder Subway	pg 8	pg 8	-	✓	-	✓	pg 135
Zehnder Stellar	-	pg 10	-	✓	-	-	pg 140
Zehnder Stellar Spa	-	pg 12	-	✓	-	✓	pg 140
Heated towel rails for bathrooms							
Zehnder Ax Spa (formerly Altai Spa)	pg 40	-	✓	✓	-	✓	pg 137
Zehnder Balmoral	pg 56	-	✓	✓	-	✓	pg 139
Zehnder Buckingham	pg 56	-	✓	✓	-	-	pg 139
Zehnder Charleston Bar	pg 50	-	-	-	pg 78	✓	pg 138
Zehnder Fina	pg 48	-	-	-	-	✓	pg 138
Zehnder Forma NEW	pg 16	-	✓	✓	-	-	pg 134
Zehnder Klaro (formerly Atoll)	pg 20	-	pg 22	✓	-	✓	pg 134
Zehnder Klaro Curved (formerly Palma)	pg 24	-	✓	✓	-	✓	pg 135
Zehnder Lambeth	pg 54	-	-	-	-	-	pg 139
Zehnder Metropolitan Spa	pg 38	-	✓	✓	-	✓	pg 137
Zehnder Nobis	pg 52	-	-	-	-	-	pg 139
Zehnder Osbourne	pg 56	-	✓	✓	-	-	pg 139
Zehnder Roda Asym (formerly Fass. Spa)	pg 44	-	pg 46	✓	-	✓	pg 138
Zehnder Roda Spa (formerly Regate)	pg 42	-	✓	✓	-	✓	pg 138
Zehnder Sfera (formerly Soléa)	pg 32	-	✓	✓	-	✓	pg 136
Zehnder Subway	pg 26	pg 64	pg 30	✓	-	✓	pg 135
Zehnder Vitalo Spa	pg 18	-	-	-	-	✓	pg 134
Zehnder Yucca Asym	pg 34	-	✓	✓	-	✓	pg 136
Zehnder Yucca Sym	pg 36	-	✓	✓	-	✓	pg 137
Stainless steel heated towel rails and radiators							
Zehnder Bay	-	pg 72	-	-	-	-	pg 142
Zehnder Cove	-	pg 66	-	✓	-	-	pg 141
Zehnder Keel Asym	-	pg 68	-	✓	-	-	pg 141
Zehnder Keel Sym	-	pg 70	-	✓	-	-	pg 141
Zehnder Stellar	-	pg 60	-	✓	-	-	pg 140
Zehnder Stellar Spa	-	pg 62	-	✓	-	-	pg 140
Zehnder Subway	-	pg 64	-	✓	-	✓	pg 141
General purpose radiators							
Zehnder Ax (formerly Altai)	pg 92	-	-	-	pg 94	✓	pg 147
Zehnder Charleston	pg 76	-	-	-	pg 78	✓	pg 143
Zehnder Charleston Mirror	pg 80	-	-	-	-	✓	pg 145
Zehnder Charleston Relax	pg 80	-	-	-	-	✓	pg 145
Zehnder Kleo	pg 100	-	-	-	pg 102	✓	pg 149
Zehnder Lyta-S (horizontal) NEW	pg 106	-	-	-	✓	-	pg 151
Zehnder Lyta-T (vertical) NEW	pg 108	-	-	-	✓	-	pg 151
Zehnder Metropolitan	pg 82	-	-	-	-	✓	pg 145
Zehnder Orbis (formerly Striane)	pg 96	-	-	-	pg 98	✓	pg 148
Zehnder Roda (formerly Fassane)	pg 84	-	pg 114	-	pg 86	✓	pg 146
Zehnder Roda Mirror (formerly Fass. Mir.)	pg 88	-	-	-	-	✓	pg 147
Zehnder Roda Status (formerly Regate)	pg 90	-	✓	✓	-	✓	pg 147
Zehnder Stratos	pg 104	-	-	-	-	✓	pg 150
Electric radiators (For electric towel rails, refer to bathroom section)							
Zehnder Alura	-	-	pg 112	-	-	✓	-
Zehnder Charleston	-	-	pg 112	-	-	✓	-
Zehnder Roda (formerly Fassane)	-	-	pg 114	-	pg 86	✓	-

Heated towel rails for cloakrooms

Selected for size and style.

A well-chosen, designer radiator will add a touch of luxury and style to any cloakroom. Zehnder has created a range of radiators and towel rails with proportions especially suited to cloakrooms, with a choice of styles and colours to meet all aspirations.



zehnder *ax spa* (formerly *altai spa*)



The especially proportioned Ax Spa is ideal for small cloakrooms.



Valves: see page 124



zehnder *subway*



The simple elegance and small projection of the Subway makes it an attractive choice for small spaces.



Valves: see page 124



Central Heating Model STOCK listed in black	Height mm	Width mm	Finish	Output $\Delta T=60K$ Watts/btu	Output $\Delta T=50K$ Watts/btu	Electric Immersion Rating Watts	Weight kg	RRP (ex VAT)	RRP (inc 20% VAT)	
				All outputs certified to EN 442						
Zehnder Ax Spa (formerly Altai Spa)										
ZAH-048-040	484	400	white	292/996	230/785	n/a	4.5	£162	£194.40	
ZA-048-040-0336	484	400	volcanic	292/996	230/785	n/a	4.5	£202	£242.40	
ZA-048-040-0523	484	400	beige quartz	292/996	230/785	n/a	4.5	£202	£242.40	
ZA-048-040-0529	484	400	brown quartz	292/996	230/785	n/a	4.5	£202	£242.40	
ZA-048-040-RAL	484	400	colour	292/996	230/785	n/a	4.5	£202	£242.40	

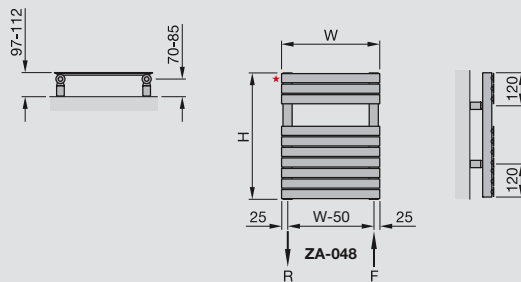
Projection: 97-112mm

Colour finish: Standard colours from the Zehnder colour chart: white + 25%. Colour finish and non-stock products delivery: 20-30 working days.

Suggested valves (to suit pipework from the wall)

Model		RRP (ex VAT)	RRP (inc 20% VAT)
C/MAX-MAN-DA-CH	manual, double angled	£53	£63.60
C/MAX-THERM CH, VP2	thermostatic double-angled	£162	£194.40

See page 40 for additional Ax Spa sizes, technical information and options, and pages 124 -129 for valve options



*1/8" air vent
 Width excludes air vent
 F = flow
 R = return
 H = height
 W = width
 Tube: Horizontal $\varnothing 38 \times 10.5$
 Tube: Vertical $\varnothing 38 \text{mm}$
 All dimensions in mm

For full compliant technical specifications, refer to page 137

Central Heating Model STOCK listed in black	Height mm	Width mm	Finish	Output $\Delta T=60K$ Watts/btu	Output $\Delta T=50K$ Watts/btu	Electric Immersion Rating Watts	Weight kg	RRP (ex VAT)	RRP (inc 20% VAT)	
				All outputs certified to EN 442						
Zehnder Subway										
SUB-060-045	613	450	white	389/1327	310/1058	200	5.2	£152	£182.40	
SUB-060-045-0335	613	450	titane	389/1327	310/1058	200	5.2	£191	£229.20	
SUB-060-045-0336	613	450	volcanic	389/1327	310/1058	200	5.2	£191	£229.20	
SUB-060-045-0523	613	450	beige quartz	389/1327	310/1058	200	5.2	£191	£229.20	
SUB-060-045-0529	613	450	brown quartz	389/1327	310/1058	200	5.2	£191	£229.20	
SUBC-060-045	613	450	chrome	258/880	205/699	100	5.2	£337	£404.40	
SUBI-060-045	613	450	stainless steel	279/952	221/754	150	5.1	£381	£457.20	

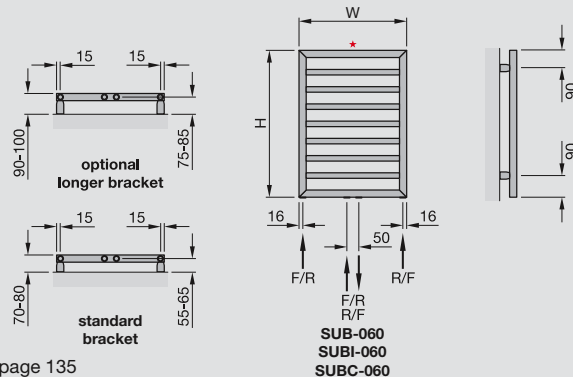
Projection: 70-80mm or 90-100mm, dependant on brackets selected. See page 27 for details

Colour finish: Standard colours from the Zehnder colour chart: white + 25%. Colour finish and non-stock products delivery: 20-30 working days.

Suggested valves (to suit pipework from the wall)

Model		RRP (ex VAT)	RRP (inc 20% VAT)
SQUARE HEAD-CH-DA	manual, chrome double angled	£188	£225.60

See pages 27 and 65 for additional Subway sizes, technical information and options, and pages 124 -129 for valve options



*1/2" air vent
 Height excludes air vent
 F = flow
 R = return
 H = height
 W = width
 Tube: Horizontal $\varnothing 23 \text{mm}$
 Tube: Vertical $30 \times 30 \text{mm}$
 All dimensions in mm

For full compliant technical specifications, refer to page 135

zehnder *charleston bar*



At only 306mm wide, this especially created, stocked size of the Charleston is idea for narrow spaces. The chrome towel bar is included.



Valves: see page 124



zehnder *stellar*



The stainless steel Stellar with its neat proportions and narrow projection is a new favourite for cloakrooms.



Valves: see page 124



Central Heating Model STOCK listed in black	Height mm	Width mm	Finish	Output $\Delta T=60K$ Watts/btu	Output $\Delta T=50K$ Watts/btu	Electric Immersion Rating Watts	Weight kg	RRP (ex VAT)	RRP (inc 20% VAT)
				All outputs certified to EN 442					
Zehnder Charleston Bar									
M2075-06	742	306	white	414/1410	330/1128	n/a	7.2	£230	£276.00
M2075-06-0336	742	306	volcanic	414/1410	330/1128	n/a	7.2	£257	£308.40

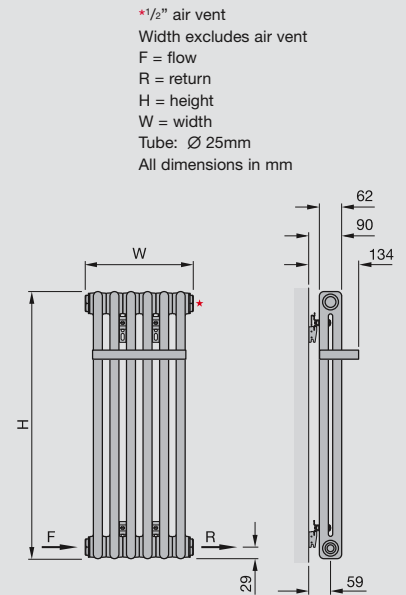
Chrome towel bar included. Projection including towel bar: 134mm

Colour finish: Standard colours from the Zehnder colour chart: white + 25%. Colour finish and non-stock products delivery: 20-30 working days.

Accessories			
Model		RRP (ex VAT)	RRP (inc 20% VAT)
8100 601020	Lambs wool brush	£48	£57.60
8100 966018	Additional 368mm Towel Bar	£123	£147.60

Suggested valves (to suit pipework from the wall)			
Model		RRP (ex VAT)	RRP (inc 20% VAT)
C/MAX-MAN-DA-CH	manual, double angled	£53	£63.60
C/MAX-THERM CH, VP1 or VP2	thermostatic double-angled	£162	£194.40

See pages 76 and 78 for additional Charleston sizes, technical information and options, and pages 124 -129 for valve options



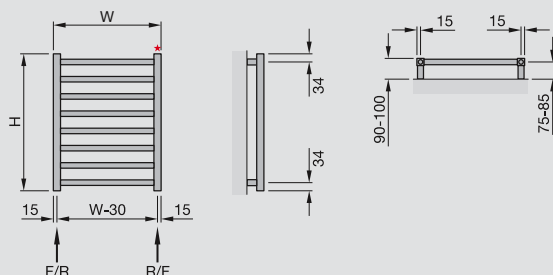
For full compliant technical specifications, refer to page 138

Central Heating Model STOCK listed in black	Height mm	Width mm	Finish	Output $\Delta T=60K$ Watts/btu	Output $\Delta T=50K$ Watts/btu	Electric Immersion Rating Watts	Weight kg	RRP (ex VAT)	RRP (inc 20% VAT)
				All outputs certified to EN 442					
Zehnder Stellar Stainless Steel									
STNI-080-030	788	300	s/steel polished	196/668	159/541	100	3.4	£219	£262.80
STNI-060-045	572	450	s/steel polished	196/669	159/541	100	3.0	£221	£265.20

Projection: 90-100mm

Suggested valves (to suit pipework from the wall)			
Model		RRP (ex VAT)	RRP (inc 20% VAT)
SQUARE HEAD-CH-DA	manual, chrome double angled	£188	£225.60

See pages 60 and 62 for additional Stellar sizes, technical information and options, and pages 124 -129 for valve options



*1/2" air vent
Height excludes air vent
F = flow
R = return
H = height
W = width
Tube: Horizontal Ø 30x15mm
Tube: Vertical Ø 30x30mm
All dimensions in mm

For full compliant technical specifications, refer to page 140

zehnder metropolitan *spa*



The Zehnder Metropolitan is a modern, stylish and elegant interpretation of the traditional towel radiator now in cloakroom compatible sizes.



Valves: see page 124



zehnder stellar spa



The Zehnder Stellar Spa in stainless steel construction is a simple yet stylish towel radiator at affordable prices.



Valves: see page 124



Central Heating Model STOCK listed in black	Height mm	Width mm	Finish	Output $\Delta T=60K$ Watts/btu	Output $\Delta T=50K$ Watts/btu	Electric Immersion Rating Watts	Weight kg	RRP (ex VAT)	RRP (inc 20% VAT)	
				All outputs certified to EN 442						
Zehnder Metropolitan Spa										
MET-080-040	805	400	white	411/1400	327/1115	300	6.5	£338	£405.60	
MET-080-040-0336	805	400	volcanic	411/1400	327/1115	300	6.5	£423	£507.60	
MET-080-040-0523	805	400	beige quartz	411/1400	327/1115	300	6.5	£423	£507.60	
MET-080-040-0529	805	400	brown quartz	411/1400	327/1115	300	6.5	£423	£507.60	
MET-080-040-RAL	805	400	colour	411/1400	327/1115	300	6.5	£423	£507.60	

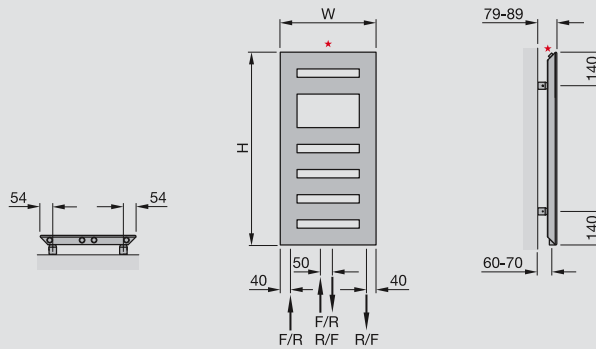
Colour finish: Standard colours from the Zehnder colour chart: white + 25%. Colour finish and non-stock products delivery: 20-30 working days.

Suggested valves (to suit pipework from the wall)

Model		RRP (ex VAT)	RRP (inc 20% VAT)
C/MAX-MAN-DA-CH	manual, double angled	£53	£63.60
C/MAX-THERM CH, VP1 or VP2	thermostatic double-angled	£162	£194.40

See pages 38 and 82 for additional Metropolitan sizes, technical information and options, and pages 124 -129 for valve options

*1/2" air vent
 Width excludes air vent
 F = flow
 R = return
 H = height
 W = width
 Tube: \varnothing 25mm
 All dimensions in mm



MET-080-040

For full compliant technical specifications, refer to page 137

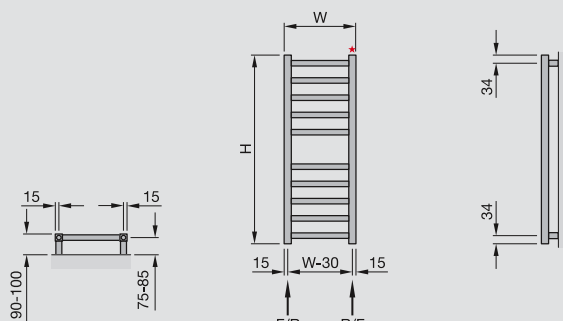
Central Heating Model STOCK listed in black	Height mm	Width mm	Finish	Output $\Delta T=60K$ Watts/btu	Output $\Delta T=50K$ Watts/btu	Electric Immersion Rating Watts	Weight kg	RRP (ex VAT)	RRP (inc 20% VAT)	
				All outputs certified to EN 442						
Zehnder Stellar Spa Stainless Steel										
STGI-060-045	572	450	stainless steel	202/689	161/549	100	3.0	£217	£260.40	
STGI-080-030	788	300	stainless steel	214/730	171/583	100	3.3	£216	£259.20	

Suggested valves (to suit pipework from the wall)

Model		RRP (ex VAT)	RRP (inc 20% VAT)
SQUARE HEAD-CH-DA	manual, chrome double angled	£188	£225.60

See pages 60 and 62 for additional Stellar sizes, technical information and options, and pages 124 -129 for valve options

*1/2" air vent
 Height excludes air vent
 F = flow
 R = return
 H = height
 W = width
 Tube: Horizontal \varnothing 23mm
 Tube: Vertical 30x30mm
 All dimensions in mm



STGI-080-030

For full compliant technical specifications, refer to page 140

Heated towel rails for bathrooms

Heat at its most attractive.

Zehnder's designer radiators not only make homes warmer, they add an unmistakable look and feel. This is hardly surprising, as they are the work of well-known designers. Performance is of course also a key factor. Thanks to Zehnder's ability to combine style and functionality, you can be absolutely sure that our radiators will be up to the mark in your bathrooms, kitchens and cloakrooms, as well as in those areas of the home dedicated to exercise or hobbies.





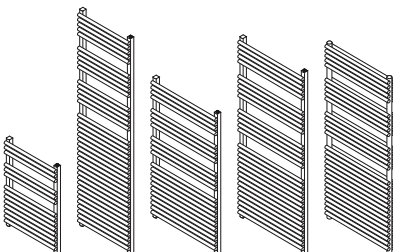
zehnder *forma*



Classic ladder towel rail available in a wide range of popular colours to give individual design choices, plus white and chrome.



Valves: see page 124

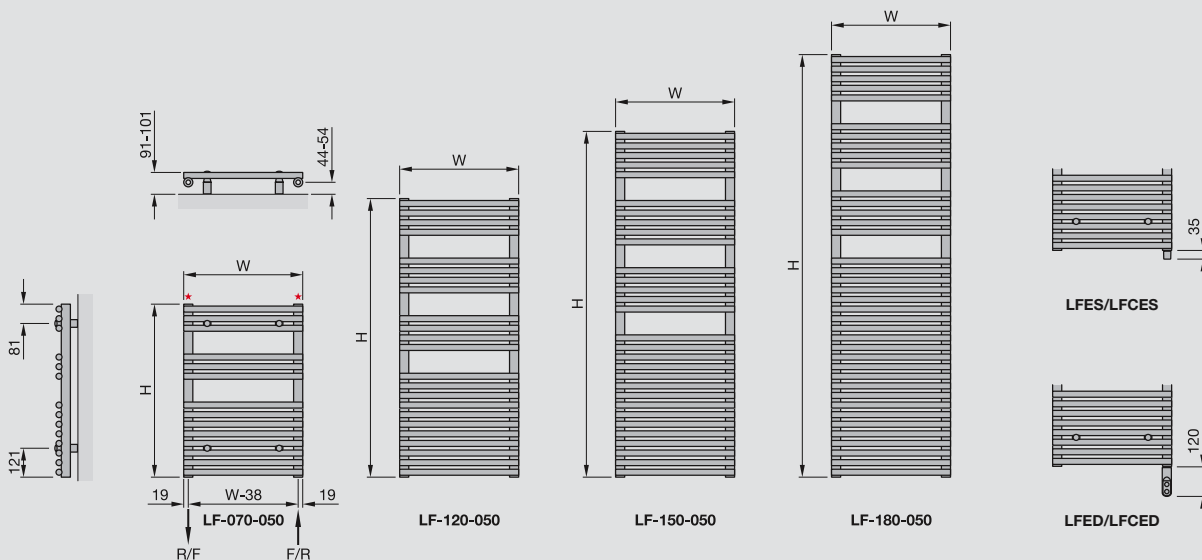


Electric Heating Model STOCK listed in black	Height mm	Width mm	Finish	Output $\Delta T=60K$ Watts/btu	Output $\Delta T=50K$ Watts/btu	Electric Immersion Rating Watts	Weight kg	RRP (ex VAT)	RRP (inc 20% VAT)
				All outputs certified to EN 442					
Zehnder Forma									
LF-070-050	721	496	white	473/1614	378/1290	250	7.4	£189	£226.80
LF-070-060	721	596	white	553/1887	442/1508	300	8.5	£213	£255.60
LF-120-050	1161	496	white	766/2613	612/2088	400	12.1	£219	£262.80
LF-120-060	1161	596	white	885/3019	707/2412	500	14.0	£242	£290.40
LF-150-050	1441	496	white	996/3399	796/2716	500	15.7	£255	£306.00
LF-150-060	1441	596	white	1160/3958	927/3163	600	18.0	£283	£339.60
LF-180-050	1761	496	white	1218/4154	973/3320	600	19.6	£289	£346.80
LF-180-060	1761	596	white	1418/4838	1133/3866	700	22.6	£318	£381.60
LFC-070-050	721	496	chrome	319/1089	254/867	200	7.4	£302	£362.40
LFC-070-060	721	596	chrome	364/1243	290/989	200	8.5	£340	£408.00
LFC-120-050	1161	496	chrome	509/1735	402/1372	300	12.1	£366	£439.20
LFC-120-060	1161	596	chrome	587/2003	464/1583	300	14.0	£409	£490.80
LFC-150-050	1441	496	chrome	647/2206	512/1747	300	15.7	£439	£526.80
LFC-150-060	1441	596	chrome	675/2301	540/1842	400	18.0	£489	£586.80
LFC-180-050	1761	496	chrome	796/2716	636/2170	400	19.6	£526	£631.20
LFC-180-060	1761	596	chrome	931/3177	744/2539	500	22.6	£588	£705.60

Height mm	Width mm	Finish	Weight kg	Simple electric immersion heater Class I IPX5, Zones 1 and 2				DBM immersion heater Class II IPX4, Zones 1 and 2			
				Model 5-10 days listed in black	Electric rating	RRP (ex VAT)	RRP (inc 20% VAT)	Model 5-10 days listed in black	Electric rating	RRP (ex VAT)	RRP (inc 20% VAT)

Zehnder Forma Electric											
721	496	white	12.754	LFES-070-050	250	£245	£294.00	n/a			
721	596	white	16.134	LFES-070-060	300	£269	£322.80	LFED-070-060	300	£317	£380.40
1161	496	white	22.174	LFES-120-050	400	£276	£331.20	LFED-120-050	300	£341	£409.20
1161	596	white	25.096	LFES-120-060	500	£299	£358.80	LFED-120-060	500	£355	£426.00
1441	496	white	27.975	LFES-150-050	500	£313	£375.60	LFED-150-050	500	£378	£453.60
1441	596	white	31.782	LFES-150-060	600	£343	£411.60	LFED-150-060	600	£390	£468.00
1761	496	white	34.574	LFES-180-050	600	£349	£418.80	LFED-180-050	600	£419	£502.80
1761	596	white	39.394	LFES-180-060	700	£379	£454.80	LFED-180-060	750	£435	£522.00
721	496	chrome	12.754	LFCES-070-050	200	£358	£429.60	n/a			
721	596	chrome	14.554	LFCES-070-060	200	£396	£475.20	n/a			
1161	496	chrome	22.174	LFCES-120-050	300	£423	£507.60	LFCED-120-050	300	£530	£636.00
1161	596	chrome	25.096	LFCES-120-060	300	£466	£559.20	LFCED-120-060	300	£574	£688.80
1441	496	chrome	27.975	LFCES-150-050	300	£497	£596.40	LFCED-150-050	300	£604	£724.80
1441	596	chrome	31.782	LFCES-150-060	400	£547	£656.40	LFCED-150-060	300	£654	£784.80
1761	496	chrome	34.574	LFCES-180-050	400	£585	£702.00	LFCED-180-050	300	£691	£829.20
1761	596	chrome	39.394	LFCES-180-060	500	£648	£777.60	LFCED-180-060	500	£739	£886.80

H = height
W = width
All dimensions in mm

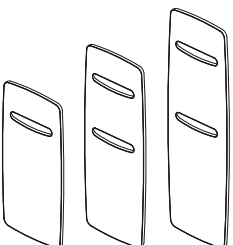



For full CE compliant technical specifications, refer to page 134

zehnder *vitalo spa*



The Zehnder Vitalo Spa with its incredibly slim profile of only 16mm was created for Zehnder by the designer duo, King & Miranda. With its corrosion-resistant, top-quality materials, it is the ideal choice when durability and sustainability are required. Quick-responding, economical and pleasant radiant heat is the result of its innovative, award-winning construction.



Central Heating Model STOCK listed in black	Height mm	Width mm	Finish	Output $\Delta T=60K$ Watts/btu	Output $\Delta T=50K$ Watts/btu	Pipe centres	Weight kg	RRP (ex VAT)	RRP (inc 20% VAT)	
				All outputs certified to EN 442						
 Zehnder Vitalo Spa										
VIT-120-050	1200	490	white	599/2044	483/1648	50	7.10	£559	£670.80	
VIT-120-060	1200	590	white	744/2539	595/2030	50	8.60	£577	£692.40	
VIT-150-050	1500	490	white	756/2579	605/2064	50	8.40	£660	£792.00	
VIT-150-060	1500	590	white	872/2975	703/2399	50	9.80	£681	£817.20	
VIT-180-050	1800	490	white	885/3020	714/2436	50	10.20	£738	£885.60	
VIT-180-060	1800	590	white	1078/3678	869/2965	50	11.90	£761	£913.20	
VIT-180-070	1800	690	white	1295/4419	1036/3535	50	14.00	£838	£1,005.60	

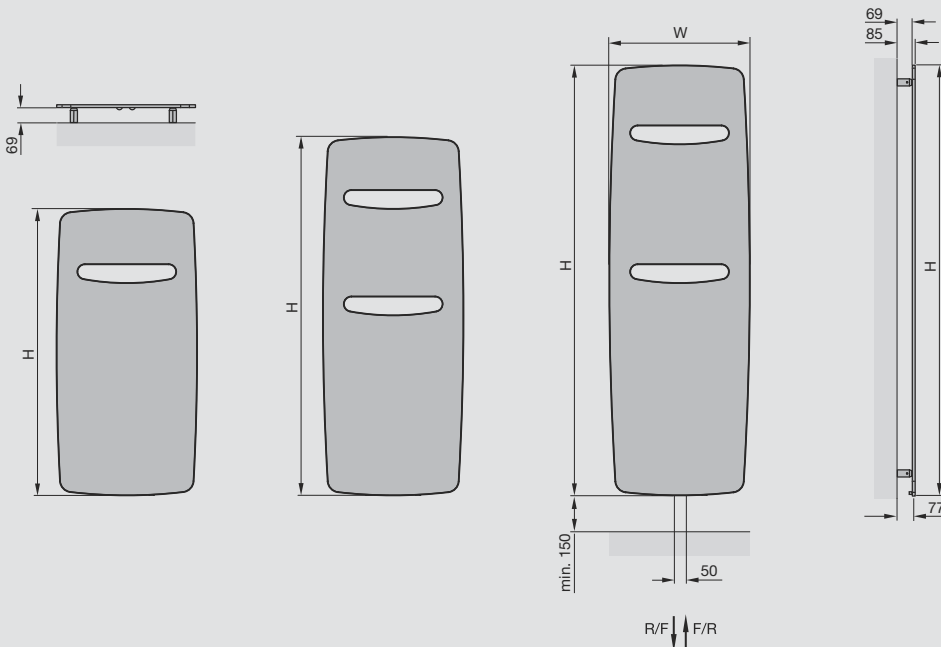
 **Colour finish:** Standard colours from the Zehnder colour chart: white + 25%. Colour finish and non-stock products: 20-30 working days.

Suitable for all low temperature systems, heat pumps and condensing boilers, open and closed systems (<80°C)



The aluminium honeycomb structure, with its meandering copper pipe, is filled with graphite, enabling heat to be distributed throughout the entire front of the radiator quickly and evenly. Suitable for all low temperature systems, heat pumps, condensing boilers, open or closed heating systems.

*1/2" air vent
 Height includes air vent
 F = flow
 R = return
 H = height
 W = width
 All dimensions in mm



zehnder klaro
(formerly atoll)



Affordable style accomplished with simplicity, suitable for central heating systems or with an immersion heater for summer use when the central heating is turned off.



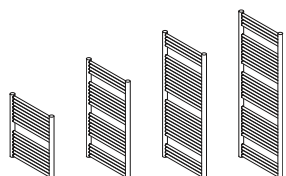
Klaro volcanic




Klaro stainless steel




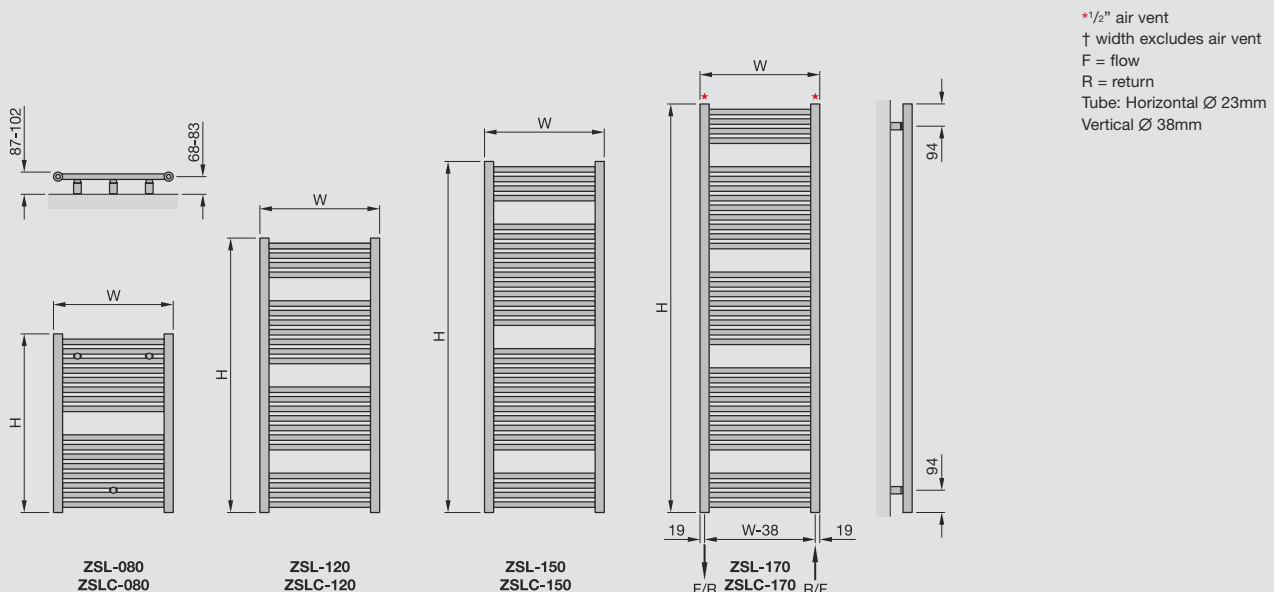
Valves: see page 124




Central Heating Model STOCK listed in black	Height mm	Width mm	Finish	Output $\Delta T=60K$ Watts/btu	Output $\Delta T=50K$ Watts/btu	Electric Immersion Rating Watts	Weight kg	RRP (ex VAT)	RRP (inc 20% VAT)
				All outputs certified to EN 442					
Zehnder Klaro (formerly Atoll)									
ZSL-080-045	748	450	white	444/1517	354/1208	200	5.4	£127	£152.40
ZSL-080-050	748	500	white	487/1662	388/1324	200	5.6	£131	£157.20
ZSL-080-060	748	600	white	572/1952	455/1552	300	6.7	£140	£168.00
ZSL-120-045	1148	450	white	658/2245	521/1778	300	8.1	£151	£181.20
ZSL-120-050	1148	500	white	719/2453	571/1948	400	8.7	£155	£186.00
ZSL-120-060	1148	600	white	844/2880	670/2286	500	9.8	£169	£202.80
ZSL-150-050	1466	500	white	716/2443	904/3085	500	10.9	£192	£230.40
ZSL-150-060	1466	600	white	839/2863	1060/3615	500	12.3	£203	£243.60
ZSL-170-045	1708	450	white	954/3254	751/2562	500	11.0	£210	£252.00
ZSL-170-050	1708	500	white	1044/3562	824/2811	500	12.2	£216	£259.20
ZSL-170-060	1708	600	white	1221/4166	966/3296	600	14.2	£222	£266.40
ZSL-080-045-0336	748	450	volcanic	444/1517	354/1208	200	5.4	£159	£190.80
ZSL-120-050-0336	1148	500	volcanic	719/2453	571/1948	400	8.7	£194	£232.80
ZSL-120-060-0336	1148	600	volcanic	844/2880	670/2286	500	9.8	£211	£253.20
ZSL-150-050-0336	1466	500	volcanic	716/2443	904/3085	500	10.9	£234	£280.80
ZSL-150-060-0336	1466	600	volcanic	839/2863	1060/3615	500	12.3	£248	£297.60
ZSL-170-050-0336	1708	500	volcanic	1044/3562	824/2811	500	12.2	£271	£325.20
ZSL-170-060-0336	1708	600	volcanic	1221/4166	966/3296	600	14.2	£279	£334.80
ZSL-080-045-0523	748	450	beige quartz	444/1517	354/1208	200	5.4	£159	£190.80
ZSL-120-050-0523	1148	500	beige quartz	719/2453	571/1948	400	8.7	£194	£232.80
ZSL-120-060-0523	1148	600	beige quartz	844/2880	670/2286	500	9.8	£211	£253.20
ZSL-150-050-0523	1466	500	beige quartz	716/2443	904/3085	500	10.9	£234	£280.80
ZSL-150-060-0523	1466	600	beige quartz	839/2863	1060/3615	500	12.3	£248	£297.60
ZSL-170-050-0523	1708	500	beige quartz	1044/3562	824/2811	500	12.2	£271	£325.20
ZSL-170-060-0523	1708	600	beige quartz	1221/4166	966/3296	600	14.2	£279	£334.80
ZSL-080-045-0529	748	450	brown quartz	444/1517	354/1208	200	5.4	£159	£190.80
ZSL-120-050-0529	1148	500	brown quartz	719/2453	571/1948	400	8.7	£194	£232.80
ZSL-120-060-0529	1148	600	brown quartz	844/2880	670/2286	500	9.8	£211	£253.20
ZSL-150-050-0529	1466	500	brown quartz	716/2443	904/3085	500	10.9	£234	£280.80
ZSL-150-060-0529	1466	600	brown quartz	839/2863	1060/3615	500	12.3	£248	£297.60
ZSL-170-050-0529	1708	500	brown quartz	1044/3562	824/2811	500	12.2	£271	£325.20
ZSL-170-060-0529	1708	600	brown quartz	1221/4166	966/3296	600	14.2	£279	£334.80
ZSLC-080-050	748	500	chrome	359/1225	283/966	200	5.8	£241	£289.20
ZSLC-080-060	748	600	chrome	420/1433	332/1133	200	6.7	£262	£314.40
ZSLC-120-050	1148	500	chrome	528/1802	417/1423	300	8.7	£309	£370.80
ZSLC-120-060	1148	600	chrome	621/2119	489/1668	300	9.8	£334	£400.80
ZSLC-150-050	1466	500	chrome	475/1621	605/2064	300	10.5	£396	£475.20
ZSLC-150-060	1466	600	chrome	560/1911	714/2436	400	12.1	£428	£513.60
ZSLC-170-050	1708	500	chrome	763/2603	601/2050	400	12.2	£457	£548.40
ZSLC-170-060	1708	600	chrome	895/3054	705/2405	500	14.2	£495	£594.00

 Dual Energy: Self Fit - Additional cost to Central Heating model prices see page 130 for details

 **Colour finish:** Standard colours from the Zehnder colour chart: white + 25%. Delivery of colour finish and non-stock products: 20-30 working days.



For full  compliant technical specifications, refer to page 134

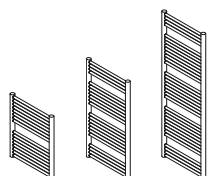
zehnder klaro
(formerly atoll)



The Zehnder Klaro electric range with its choice of immersion heaters and availability of colours offers a flexible solution to your bathroom heating requirements.



Klaro volcanic



Height mm	Width mm	Finish	Weight kg	Simple electric immersion heater Class I IPX5, Zones 1 and 2				CTEC heat adjustable immersion heater Class I IPX4 Zones 1 and 2			
				Model 5-10 days listed in black	Electric rating	RRP (ex VAT)	RRP (inc 20% VAT)	Model 5-10 days listed in black	Electric rating	RRP (ex VAT)	RRP (inc 20% VAT)
⚡ Zehnder Klaro (formerly Atoll) electric only models (with a choice of either a simple immersion heater (no controls) or the CTEC immersion heater)											
748	450	white	9.00	ZSLES-080-045	200	£258	£309.60	ZSLET-080-045	200	£275	£330.00
748	500	white	9.66	ZSLES-080-050	200	£262	£314.40	ZSLET-080-050	200	£279	£334.80
748	600	white	11.00	ZSLES-080-060	300	£272	£326.40	ZSLET-080-060	300	£288	£345.60
1148	450	white	13.53	ZSLES-120-045	300	£282	£338.40	ZSLET-120-045	300	£298	£357.60
1148	500	white	14.53	ZSLES-120-050	400	£286	£343.20	ZSLET-120-050	300	£302	£362.40
1148	600	white	16.43	ZSLES-120-060	500	£300	£360.00	ZSLET-120-060	500	£317	£380.40
1466	500	white	17.8	ZSLES-150-050	500	£323	£387.60	ZSLET-150-050	400	£339	£406.80
1466	600	white	20.5	ZSLES-150-060	500	£334	£400.80	ZSLET-150-060	600	£351	£421.20
1708	450	white	18.90	ZSLES-170-045	500	£340	£408.00	ZSLET-170-045	500	£357	£428.40
1708	500	white	20.67	ZSLES-170-050	500	£347	£416.40	ZSLET-170-050	500	£364	£436.80
1708	600	white	23.80	ZSLES-170-060	600	£354	£424.80	ZSLET-170-060	600	£370	£444.00
748	450	colour	9.00	ZSLES-080-045-RAL*	200	£323	£387.60	ZSLET-080-045-RAL	200	£339	£406.80
748	500	colour	9.66	ZSLES-080-050-RAL	200	£328	£393.60	ZSLET-080-050-RAL	200	£344	£412.80
748	600	colour	11.00	ZSLES-080-060-RAL	300	£339	£406.80	ZSLET-080-060-RAL	300	£356	£427.20
1148	450	colour	13.53	ZSLES-120-045-RAL	300	£353	£423.60	ZSLET-120-045-RAL	300	£369	£442.80
1148	500	colour	14.53	ZSLES-120-050-RAL*	400	£358	£429.60	ZSLET-120-050-RAL*	300	£374	£448.80
1148	600	colour	16.43	ZSLES-120-060-RAL*	500	£375	£450.00	ZSLET-120-060-RAL*	500	£392	£470.40
1466	500	colour	17.8	ZSLES-150-050-RAL*	500	£404	£484.80	ZSLET-150-050-RAL*	500	£420	£504.00
1466	600	colour	20.5	ZSLES-150-060-RAL*	500	£418	£501.60	ZSLET-150-060-RAL*	500	£435	£522.00
1708	450	colour	18.90	ZSLES-170-045-RAL	500	£425	£510.00	ZSLET-170-045-RAL	500	£442	£530.40
1708	500	colour	20.67	ZSLES-170-050-RAL*	500	£435	£522.00	ZSLET-170-050-RAL*	500	£451	£541.20
1708	600	colour	23.80	ZSLES-170-060-RAL*	600	£442	£530.40	ZSLET-170-060-RAL*	600	£458	£549.60
748	500	chrome	9.66	ZSLCES-080-050	200	£372	£446.40	ZSLCET-080-050	200	£388	£465.60
748	600	chrome	11.00	ZSLCES-080-060	200	£394	£472.80	ZSLCET-080-060	200	£410	£492.00
1148	500	chrome	14.53	ZSLCES-120-050	300	£440	£528.00	ZSLCET-120-050	300	£456	£547.20
1148	600	chrome	16.43	ZSLCES-120-060	300	£465	£558.00	ZSLCET-120-060	300	£482	£578.40
1466	500	chrome	17.8	ZSLCES-150-050	300	£527	£632.40	ZSLCET-150-050	300	£545	£654.00
1466	600	chrome	20.5	ZSLCES-150-060	400	£560	£672.00	ZSLCET-150-060	400	£576	£691.20
1708	500	chrome	20.67	ZSLCES-170-050	400	£588	£705.60	ZSLCET-170-050	300	£660	£792.00
1708	600	chrome	23.80	ZSLCES-170-060	500	£626	£751.20	ZSLCET-170-060	500	£643	£771.60

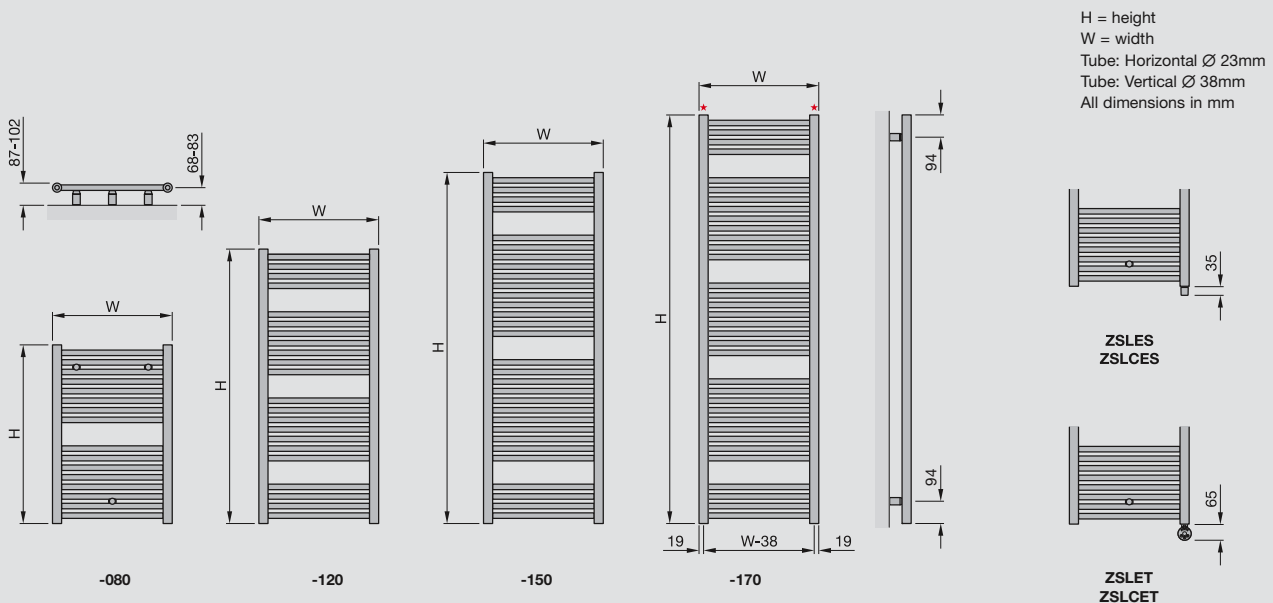
*To order **VOLCANIC** finish, replace "RAL" with 0336; for **BEIGE QUARTZ**, replace "RAL" with 0523; for **BROWN QUARTZ**, replace "RAL" with 0529
"5-10 day" delivery refers to **white, chrome, volcanic, beige and brown quartz electric radiators**. All other RAL colour finishes have a 20-30 working day delivery.

The immersion heater is fitted to the right hand header as standard, but can be in the left handed header if stipulated at order stage.

Note: Height does not include the immersion heater. (See diagrams below)

Also available fitted with the DBM on request. Extra price: White DBM £63 +vat Chrome DBM £86 +vat

Colour finish: Standard colours from the Zehnder colour chart: white + 25%. Delivery of colour finish and non-stock products: 20-30 working days.



zehnder *klaro curved*
(formerly *palma*)



Affordable luxury, suitable for central heating or for summer use with an immersion heater, when the central heating is turned off.



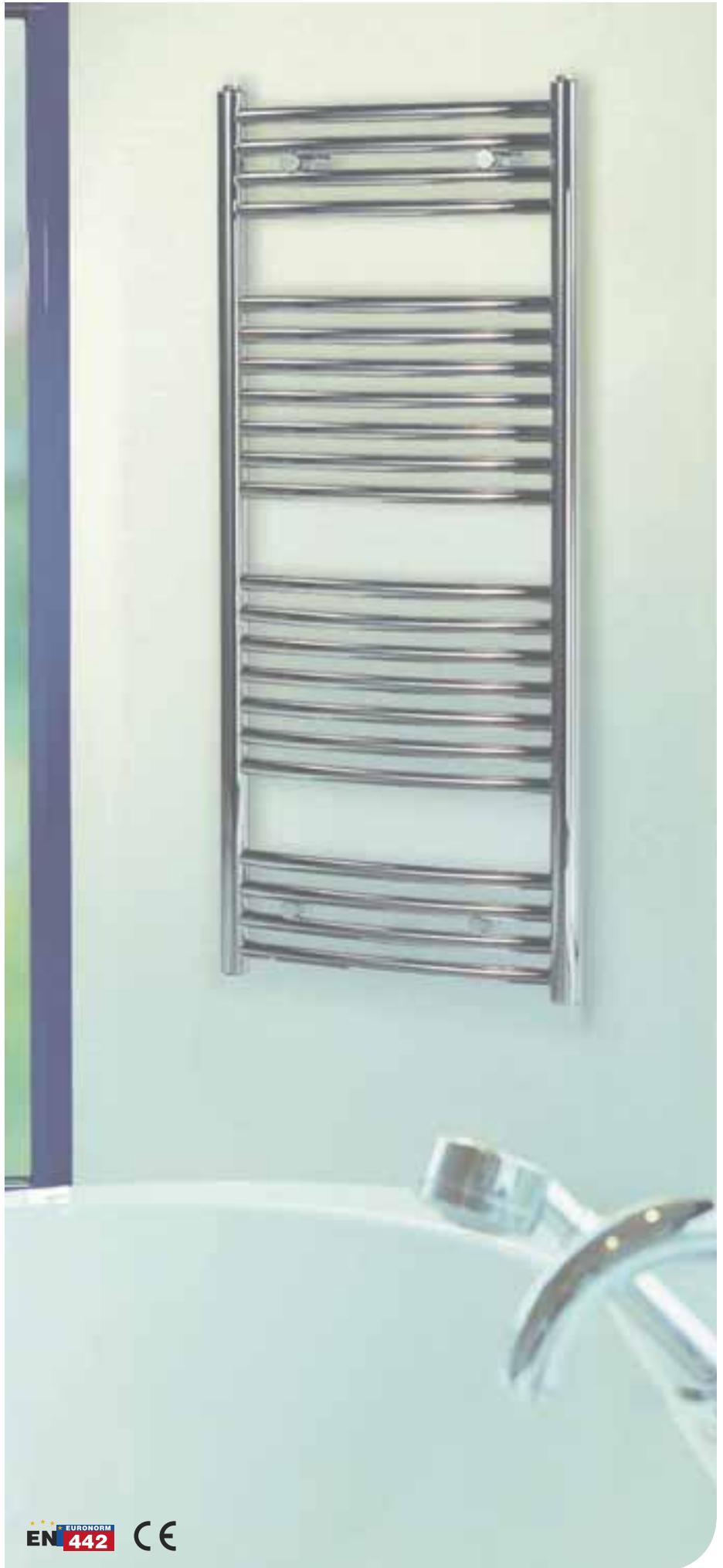
Klaro Curved white



DBM electric immersion control
see page 131



Valves: see page 124



Central Heating Model STOCK listed in black	Height mm	Width mm	Finish	Output $\Delta T=60K$ Watts/btu	Output $\Delta T=50K$ Watts/btu	Electric Immersion Rating Watts	Weight kg	RRP (ex VAT)	RRP (inc 20% VAT)	
				All outputs certified to EN 442						
⚡ Zehnder Klaro Curved (formerly Palma)										
ZCL-080-050	748	496	white	494/1686	393/1341	300	5.7	£159	£190.80	
ZCL-080-060	748	597	white	581/1982	463/1580	300	6.6	£175	£210.00	
ZCL-120-050	1148	496	white	737/2515	585/1996	400	8.5	£181	£217.20	
ZCL-120-060	1148	597	white	869/2965	690/2354	500	9.8	£198	£237.60	
ZCL-170-050	1708	496	white	1072/3658	847/2958	600	12.3	£255	£306.00	
ZCL-170-060	1708	597	white	1260/4299	999/3409	600	14.1	£267	£320.40	
ZCLC-080-050	748	496	chrome	363/1239	287/979	200	5.7	£276	£331.20	
ZCLC-080-060	748	597	chrome	426/1454	338/1153	200	6.6	£294	£352.80	
ZCLC-120-050	1148	496	chrome	541/1846	427/1457	300	8.5	£361	£433.20	
ZCLC-120-060	1148	597	chrome	638/2177	504/1720	300	9.8	£374	£448.80	
ZCLC-170-050	1708	496	chrome	783/2672	618/2108	500	11.0	£533	£639.60	
ZCLC-170-060	1708	597	chrome	924/3153	729/2487	500	14.1	£575	£690.00	

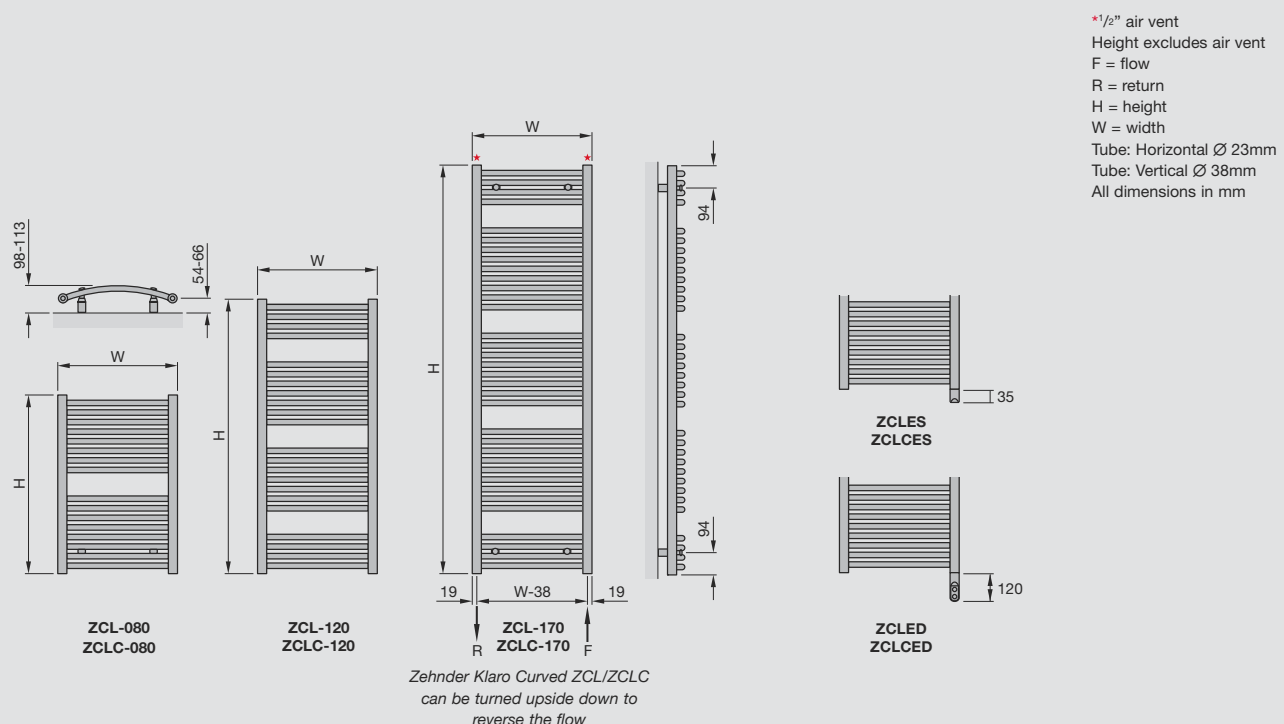
⚡ Dual Energy: Self Fit - Additional cost to Central Heating model prices see page 130 for details

Height mm	Width mm	Finish	Weight kg	Simple electric immersion heater Class I IPX5, Zones 1 and 2				DBM immersion heater Class II IPX4, Zones 1 and 2			
				Model 5-10 days listed in black	Electric rating	RRP (ex VAT)	RRP (inc 20% VAT)	Model 5-10 days listed in black	Electric rating	RRP (ex VAT)	RRP (inc 20% VAT)
⚡ Zehnder Klaro Curved (formerly Palma) electric only models (with a choice of either a simple immersion heater (no controls) or the DBM immersion heater)											
748	500	white	9.6	ZCLES-080-050	300	£290	£348.00	ZCLED-080-050	300	£351	£421.20
748	600	white	11.0	ZCLES-080-060	300	£306	£367.20	ZCLED-080-060	300	£368	£441.60
1148	500	white	14.3	ZCLES-120-050	400	£311	£373.20	ZCLED-120-050	300	£373	£447.60
1148	600	white	16.3	ZCLES-120-060	500	£328	£393.60	ZCLED-120-060	500	£390	£468.00
1708	500	white	20.6	ZCLES-170-050	600	£386	£463.20	ZCLED-170-050	600	£447	£536.40
1708	600	white	23.7	ZCLES-170-060	600	£399	£478.80	ZCLED-170-060	600	£460	£552.00
748	500	chrome	9.6	ZCLCES-080-050	200	£407	£488.40	n/a			
748	600	chrome	11.0	ZCLCES-080-060	200	£424	£508.80	n/a			
1148	500	chrome	14.3	ZCLCES-120-050	300	£492	£590.40	ZCLCED-120-050	300	£579	£694.80
1148	600	chrome	16.3	ZCLCES-120-060	300	£505	£606.00	ZCLCED-120-060	300	£593	£711.60
1708	500	chrome	19.3	ZCLCES-170-050	500	£664	£796.80	ZCLCED-170-050	500	£752	£902.40
1708	600	chrome	23.7	ZCLCES-170-060	500	£706	£847.20	ZCLCED-170-060	500	£794	£952.80

The immersion heater is fitted to the right hand header as standard, but can be in the left handed header if stipulated at order stage.

Note: Height does not include the immersion heater. (See diagrams below)

🎨 **Colour finish:** Standard colours from the Zehnder colour chart: white + 25%. Colour finish delivery 20-30 working days.



For full compliant technical specifications, refer to page 135

zehnder subway



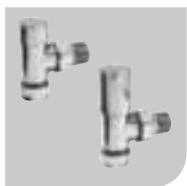
The elegance and simplicity of the white and chrome Zehnder Subway are popular choices for modern bathrooms.



Zehnder Subway volcanic



Zehnder Subway stainless steel:
see page 64



Valves: see page 124



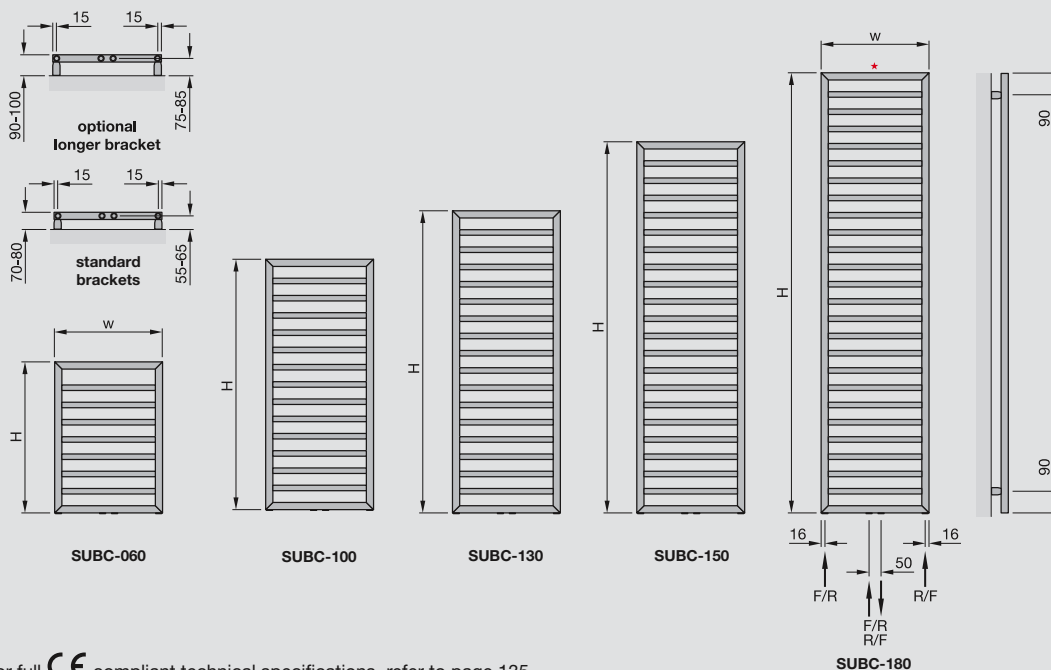
Central Heating Model STOCK listed in black	Height mm	Width mm	Finish	Output $\Delta T=60K$ Watts/btu	Output $\Delta T=50K$ Watts/btu	Electric Immersion Rating Watts	Weight kg	RRP (ex VAT)	RRP (inc 20% VAT)
				All outputs certified to EN 442					
Zehnder Subway									
SUB-060-045	613	450	white	389/1327	310/1058	200	5.2	£152	£182.40
SUB-100-045	973	450	white	504/1720	401/1368	300	6.7	£164	£196.80
SUB-100-060	973	600	white	627/2139	499/1703	300	8.3	£178	£213.60
SUB-130-045	1261	450	white	637/2174	509/1737	300	8.6	£181	£217.20
SUB-130-060	1261	600	white	800/2730	639/2180	400	10.5	£202	£242.40
SUB-150-045	1549	450	white	770/2627	615/2098	400	10.6	£212	£254.40
SUB-150-060	1549	600	white	967/3298	772/2634	500	12.5	£235	£282.00
SUB-180-045	1837	450	white	895/3055	715/2440	500	12.2	£239	£286.80
SUB-180-060	1837	600	white	1124/3836	898/3064	600	14.7	£265	£318.00
SUBC-060-045	613	450	chrome	258/880	205/699	100	5.0	£337	£404.40
SUBC-100-045	973	450	chrome	334/1140	265/904	200	6.5	£432	£518.40
SUBC-100-060	973	600	chrome	415/1416	329/1123	200	8.1	£489	£586.80
SUBC-130-045	1261	450	chrome	419/1431	335/1143	200	8.4	£490	£588.00
SUBC-130-060	1261	600	chrome	508/1734	406/1385	300	10.2	£544	£652.80
SUBC-150-045	1549	450	chrome	526/1794	420/1433	300	10.1	£578	£693.60
SUBC-150-060	1549	600	chrome	636/2170	508/1733	300	12.3	£643	£771.60
SUBC-180-045	1837	450	chrome	607/2072	485/1655	300	11.8	£646	£775.20
SUBC-180-060	1837	600	chrome	741/2529	592/2020	400	14.3	£719	£862.80

4? Dual Energy: Self Fit - Additional cost to Central Heating model prices. See page 130 for details

Optional wall brackets: Increases space behind rail by 20mm

Model		RRP (ex VAT)	RRP (inc 20% VAT)
952111	Subway SUB extended bracket kit. White finish.	£36	£43.20
952118	Subway SUBC extended bracket kit. Chrome finish.	£36	£43.20

*1/2" air vent
 Height excludes air vent
 F = flow
 R = return
 H = height
 W = width
 Tube: Horizontal \varnothing 23mm
 Tube: Vertical 30x30mm
 All dimensions in mm



For full **CE** compliant technical specifications, refer to page 135

zehnder subway



With its classic lines and broad appeal, the contemporary Zehnder Subway towel rail offers comfort and superb design in colour finishes, chrome and stainless steel.



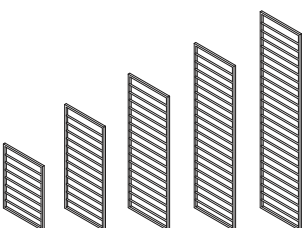
Zehnder Subway chrome



Zehnder Subway stainless steel:
see page 64



Valves: see page 124



Central Heating Model STOCK listed in black	Height mm	Width mm	Finish	Output $\Delta T=60K$ Watts/btu	Output $\Delta T=50K$ Watts/btu	Electric Immersion Rating Watts	Weight kg	RRP (ex VAT)	RRP (inc 20% VAT)	
				All outputs certified to EN 442						
Zehnder Subway										
SUB-060-045-0336	613	450	volcanic	389/1327	310/1058	200	5.2	£191	£229.20	
SUB-100-045-0336	973	450	volcanic	504/1720	401/1368	300	6.7	£205	£246.00	
SUB-100-060-0366	973	600	volcanic	627/2139	499/1703	300	8.3	£222	£266.40	
SUB-130-045-0336	1261	450	volcanic	637/2174	509/1737	300	8.6	£227	£272.40	
SUB-130-060-0336	1261	600	volcanic	800/2730	639/2180	400	10.5	£252	£302.40	
SUB-150-060-0336	1549	600	volcanic	967/3298	772/2634	500	12.5	£294	£352.80	
SUB-180-045-0336	1837	450	volcanic	895/3055	715/2440	500	14.7	£299	£358.80	
SUB-060-045-0523	613	450	beige quartz	389/1327	310/1058	200	5.2	£191	£229.20	
SUB-100-045-0523	973	450	beige quartz	504/1720	401/1368	300	6.7	£222	£266.40	
SUB-100-060-0523	973	600	beige quartz	627/2139	499/1703	300	8.3	£205	£246.00	
SUB-130-045-0523	1261	450	beige quartz	637/2174	509/1737	300	8.6	£227	£272.40	
SUB-130-060-0523	1261	600	beige quartz	800/2730	639/2180	400	10.5	£252	£302.40	
SUB-150-060-0523	1549	600	beige quartz	967/3298	772/2634	500	12.5	£294	£352.80	
SUB-180-045-0523	1837	450	beige quartz	895/3055	715/2440	500	14.7	£299	£358.80	
SUB-060-045-0529	613	450	brown quartz	389/1327	310/1058	200	5.2	£191	£229.20	
SUB-100-045-0529	973	450	brown quartz	504/1720	401/1368	300	6.7	£205	£246.00	
SUB-100-060-0529	973	600	brown quartz	627/2139	499/1703	300	8.3	£222	£266.40	
SUB-130-045-0529	1261	450	brown quartz	637/2174	509/1737	300	8.6	£227	£272.40	
SUB-130-060-0529	1261	600	brown quartz	800/2730	639/2180	400	10.5	£252	£302.40	
SUB-150-060-0529	1549	600	brown quartz	967/3298	772/2634	500	12.5	£294	£352.80	
SUB-180-045-0529	1837	450	brown quartz	895/3055	715/2440	500	14.7	£299	£358.80	
SUB-060-045-0335	613	450	titane	389/1327	310/1058	200	5.2	£191	£229.20	
SUB-100-045-0335	973	450	titane	504/1720	401/1368	300	6.7	£205	£246.00	
SUB-100-060-0335	973	600	titane	627/2139	499/1703	300	8.3	£222	£266.40	
SUB-130-045-0335	1261	450	titane	637/2174	509/1737	300	8.6	£227	£272.40	
SUB-130-060-0335	1261	600	titane	800/2730	639/2180	400	10.5	£252	£302.40	
SUB-150-060-0335	1549	600	titane	967/3298	772/2634	500	12.5	£294	£352.80	
SUB-180-045-0335	1837	450	titane	895/3055	715/2440	500	14.7	£299	£358.80	

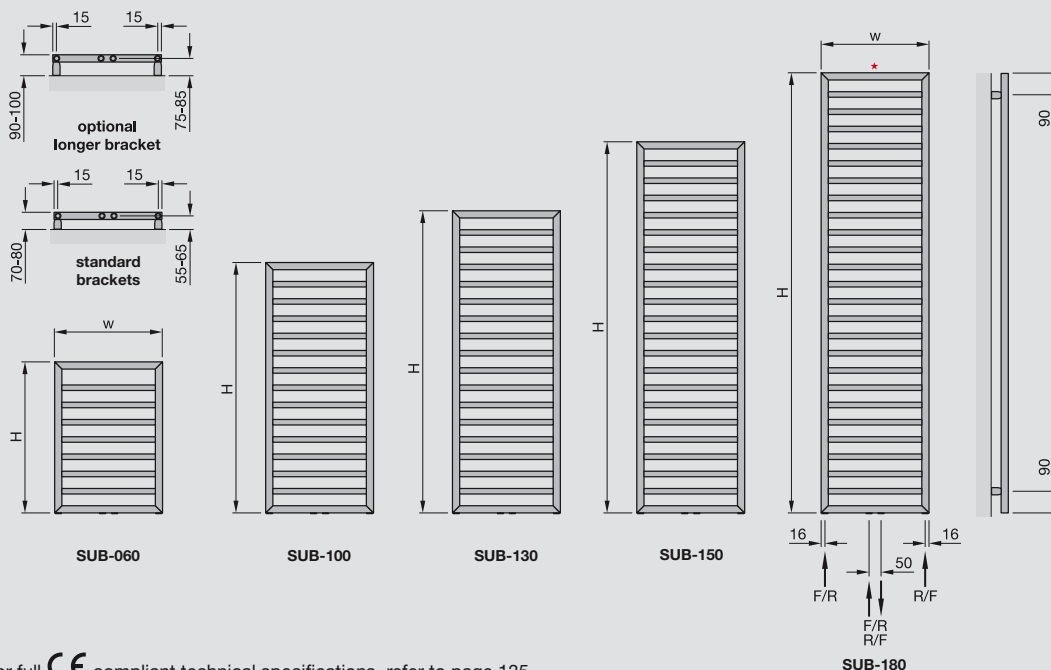
Dual Energy: Self Fit - Additional cost to Central Heating model prices. See page 130 for details

Colour finish: Standard colours from the Zehnder colour chart: white + 25%. Colour finish and non-stock products: Delivery 20-30 working days.

Optional wall brackets: Increases space behind rail by 20mm

Model		RRP (ex VAT)	RRP (inc 20% VAT)
952119	Subway SUB extended bracket kit. Colour finish.	£36	£43.20

*1/2" air vent
 Height excludes air vent
 F = flow
 R = return
 H = height
 W = width
 Tube: Horizontal \varnothing 23mm
 Tube: Vertical 30x30mm
 All dimensions in mm



For full **CE** compliant technical specifications, refer to page 135

zehnder subway



The simple elegance of the Subway in its electric form is maintained with either the infra-red receiver or a simple immersion heater.



Beige quartz finish



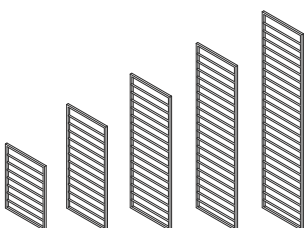
Brown quartz finish



Zehnder Subway stainless steel:
see page 64



Safir Infra-red
electric immersion
heater control unit
see page 131



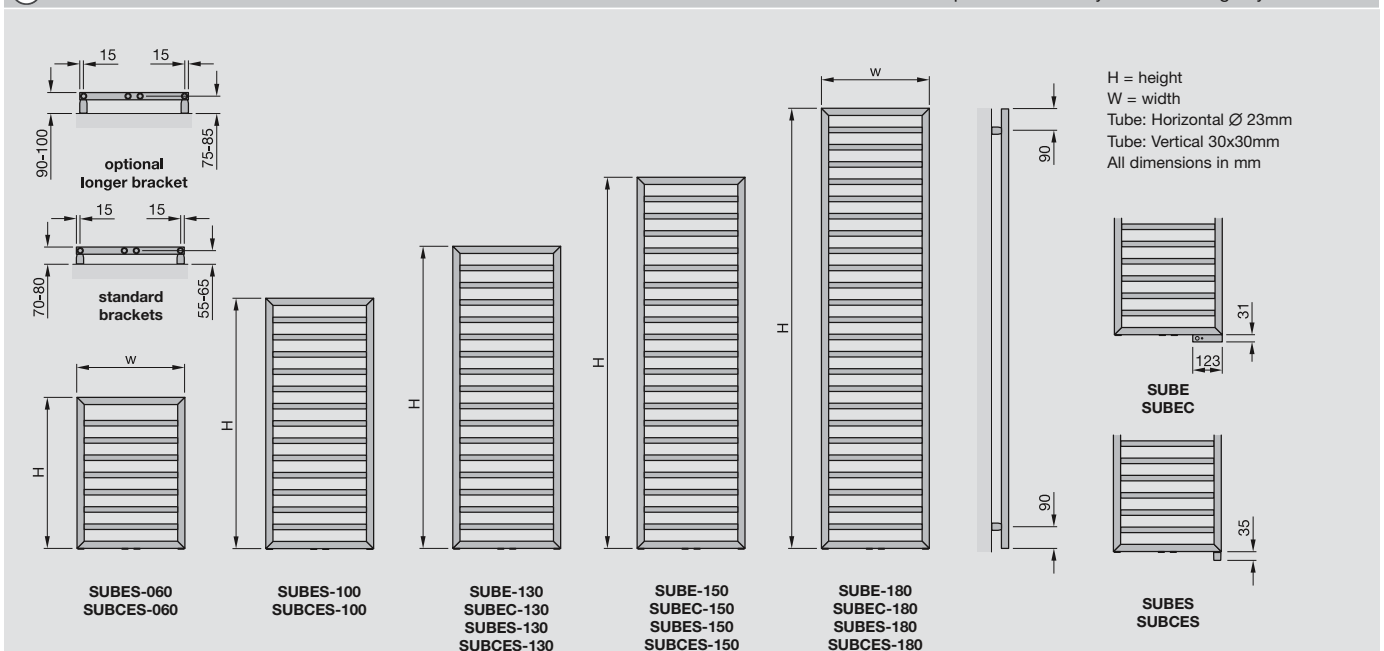
Electric Heating Model 5-10 days listed in black	Height mm	Width mm	Finish	Electric Immersion Rating Watts with Safir Class II, IPX4 Zone 1 bath, Zone 2 shower	Weight kg	RRP (ex VAT)	RRP (inc 20% VAT)
⚡ Zehnder Subway Electric							
SUBE-130-045/IF	1261	450	white	500	12.6	£445	£534.00
SUBE-150-045/IF	1549	450	white	600	15.3	£486	£583.20
SUBE-150-060/IF	1549	600	white	750	18.3	£535	£642.00
SUBE-180-060/IF	1837	600	white	900	21.3	£583	£699.60
SUBEC-130-045/IF	1351	450	chrome	300	12.6	£802	£962.40
SUBEC-150-045/IF	1549	450	chrome	300	15.3	£932	£1,118.40
SUBEC-150-060/IF	1549	600	chrome	500	18.3	£1,025	£1,230.00
SUBEC-180-060/IF	1837	600	chrome	600	21.3	£1,117	£1,340.40

Electric Heating Model 5-10 days listed in black	Height mm	Width mm	Finish	Simple Electric Immersion heater Rating Watts Class I IPX5, Zones 1 and 2	Weight kg	RRP (ex VAT)	RRP (inc 20% VAT)
⚡ Zehnder Subway Electric							
SUBES-060-045	613	450	white	200	7.5	£217	£260.40
SUBES-100-045	973	450	white	300	14.7	£228	£273.60
SUBES-100-060	973	600	white	300	17.9	£246	£295.20
SUBES-130-045	1261	450	white	300	13.1	£247	£296.40
SUBES-130-060	1261	600	white	400	15.9	£272	£326.40
SUBES-150-045	1549	450	white	400	16.0	£285	£342.00
SUBES-150-060	1549	600	white	500	19.7	£312	£374.40
SUBES-180-045	1837	450	white	500	18.5	£314	£376.80
SUBES-180-060	1837	600	white	700	22.4	£346	£415.20
SUBES-060-045-RAL*	613	450	colour	200	7.5	£272	£326.40
SUBES-100-045-RAL*	973	450	colour	200	14.7	£284	£340.80
SUBES-100-060-RAL*	973	600	colour	200	17.9	£308	£369.60
SUBES-130-045-RAL*	1261	450	colour	200	13.1	£309	£370.80
SUBES-130-060-RAL*	1261	600	colour	250	15.9	£340	£408.00
SUBES-150-045-RAL*	1549	450	colour	300	16.0	£356	£427.20
SUBES-150-060-RAL*	1549	600	colour	300	19.7	£390	£468.00
SUBES-180-045-RAL*	1837	450	colour	300	18.5	£392	£470.40
SUBES-180-060-RAL*	1837	600	colour	500	22.4	£433	£519.60
SUBCES-060-045	613	450	chrome	150	7.3	£404	£484.80
SUBCES-100-045	973	450	chrome	200	14.5	£510	£612.00
SUBCES-100-060	973	600	chrome	200	17.7	£572	£686.40
SUBCES-130-045	1261	450	chrome	200	12.9	£575	£690.00
SUBCES-130-060	1261	600	chrome	250	15.6	£633	£759.60
SUBCES-150-045	1549	450	chrome	300	15.5	£671	£805.20
SUBCES-150-060	1549	600	chrome	300	19.5	£743	£891.60
SUBCES-180-045	1837	450	chrome	300	18.1	£745	£894.00
SUBCES-180-060	1837	600	chrome	500	22.0	£826	£991.20

*To order **VOLCANIC** finish, replace "RAL" with 0336; for **BEIGE QUARTZ**, replace "RAL" with 0523; for **BROWN QUARTZ**, replace "RAL" with 0529
 "5-10 day" delivery refers to **white, chrome, volcanic, beige and brown quartz electric radiators**. All other RAL colour finishes have a 20-30 working day delivery.

Note: Height does not include the immersion heater.

🎨 **Colour finish:** Standard colours from the Zehnder colour chart: white + 25%. Colour finish and non-stock products: Delivery 20-30 working days.



zehnder sfera
(formerly soléa)



The sophisticated elegance and gently curving, slender tubes of the Zehnder Sfera combines aesthetic appeal with efficient drying space.



Towel ring not included: see page 123 for accessories



Valves: see page 124



Central Heating Model STOCK listed in black	Height mm	Width mm	Finish	Output $\Delta T=60K$ Watts/btu	Output $\Delta T=50K$ Watts/btu	Electric Immersion Rating Watts	Weight kg	RRP (ex VAT)	RRP (inc 20% VAT)
				All outputs certified to EN 442					
Zehnder Sfera (formerly Soléa)									
SH-086-050	859	498	white	575/1962	460/1569	300	8.0	£237	£284.40
SH-086-060	859	593	white	693/2364	554/1890	300	9.2	£267	£320.40
SH-126-050	1255	498	white	886/3023	710/2423	500	12.5	£274	£328.80
SH-126-060	1255	593	white	1063/3627	850/2900	600	14.4	£303	£363.60
SH-175-050	1750	498	white	1184/4040	946/3228	600	17.3	£362	£434.40
SH-175-060	1750	593	white	1409/4808	1126/3841	750	19.8	£397	£476.40
SHC-086-050	859	498	chrome	396/1351	316/1078	200	8.0	£378	£453.60
SHC-086-060	859	593	chrome	435/1484	350/1194	200	9.2	£426	£511.20
SHC-126-050	1255	498	chrome	601/2050	476/1624	300	12.5	£457	£548.40
SHC-126-060	1255	593	chrome	717/2446	573/1955	300	14.4	£512	£614.40
SHC-175-050	1750	498	chrome	821/2801	650/2218	500	17.3	£657	£788.40
SHC-175-060	1750	593	chrome	978/3337	775/2644	500	19.8	£735	£882.00

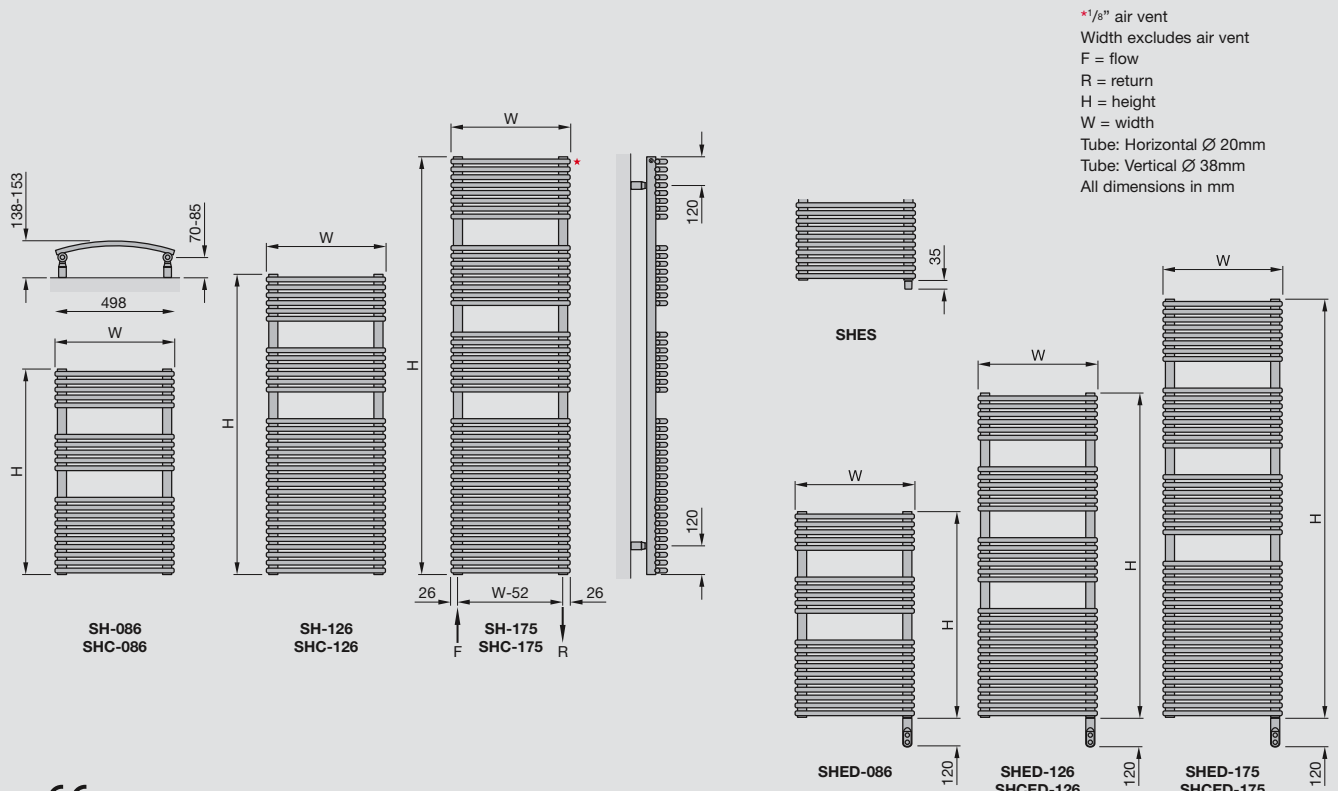
Dual Energy: Self Fit - Additional cost to Central Heating model: see page 130 for details

Height mm	Width mm	Finish	Weight kg	Simple electric immersion heater Class I IPX5, Zones 1 and 2				DBM immersion heater Class II IPX4, Zones 1 and 2			
				Model 5-10 days listed in black	Electric rating	RRP (ex VAT)	RRP (inc 20% VAT)	Model 5-10 days listed in black	Electric rating	RRP (ex VAT)	RRP (inc 20% VAT)
Zehnder Sfera (formerly Soléa) electric only models (with a choice of either a simple immersion heater (no controls) or the DBM immersion heater)											
859	500	white	13	SHES-086-050	300	£290	£348.00	SHED-086-050	300	£363	£435.60
859	600	white	15	SHES-086-060	300	£320	£384.00	SHED-086-060	300	£393	£471.60
1255	500	white	18.5	SHES-126-050	500	£328	£393.60	SHED-126-050	500	£421	£505.20
1255	600	white	22	SHES-126-060	600	£359	£430.80	SHED-126-060	600	£436	£523.20
1750	500	white	26	SHES-175-050	600	£418	£501.60	SHED-175-050	600	£495	£594.00
1750	600	white	29.7	SHES-175-060	700	£454	£544.80	SHED-175-060	750	£541	£649.20
859	500	chrome	13	SHCES-086-050	200	£431	£517.20	n/a			
859	600	chrome	15	SHCES-086-060	250	£479	£574.80	n/a			
1255	500	chrome	19.5	SHCES-126-050	300	£511	£613.20	SHCED-126-050	300	£620	£744.00
1255	600	chrome	23	SHCES-126-060	400	£566	£679.20	SHCED-126-060	300	£675	£810.00
1750	500	chrome	26	SHCES-175-050	500	£712	£854.40	SHCED-175-050	500	£805	£966.00
1750	600	chrome	29.5	SHCES-175-060	500	£790	£948.00	SHCED-175-060	500	£883	£1,059.60

Note: Height does not include the immersion heater.

Colour finish: Standard colours from the Zehnder colour chart: white + 25%. Colour finish delivery 20-30 working days.

Delivery of non-stock products: 10-15 working days: Electric: 15-20 working days.



For full compliant technical specifications, refer to page 136

zehnder *yucca asym*



Beautiful, practical and available single or double tubed, in white, colour or chrome, the Zehnder Yucca Asym can also be installed perpendicular to the wall to create a partition.



Zehnder yucca asym as a room divider



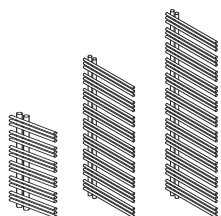
Yucca dual energy with long cover plate see page 129



Short cover plate for yucca valve see page 129



Valves: see page 124



Central Heating Model STOCK listed in black	Height mm	Width mm	Finish	Output $\Delta T=60K$ Watts/btu	Output $\Delta T=50K$ Watts/btu	Electric Immersion Rating Watts	Weight kg	RRP (ex VAT)	RRP (inc 20% VAT)	
				All outputs certified to EN 442						
Zehnder Yucca Asym Single (Horizontal tubes on left or right)										
YA-090-050	872	478	white	444/1514	353/1204	200	9.2	£454	£544.80	
YA-130-040	1304	378	white	547/1866	439/1498	300	11.3	£600	£720.00	
YA-130-050	1304	478	white	664/2265	525/1791	300	13.6	£610	£732.00	
YA-130-060	1304	578	white	762/2600	607/2071	400	15.9	£625	£750.00	
YA-170-040	1736	378	white	719/2453	574/1958	400	15.0	£608	£729.60	
YA-170-050	1736	478	white	874/2982	696/2375	500	18.1	£659	£790.80	
YA-170-060	1736	578	white	1004/3426	798/2723	500	21.1	£672	£806.40	
YAC-090-050	872	478	chrome	311/1060	247/842	150	9.2	£1,274	£1,528.80	
YAC-130-040	1304	378	chrome	383/1307	307/1047	200	11.3	£1,351	£1,621.20	
YAC-130-050	1304	478	chrome	465/1585	367/1254	200	13.6	£1,390	£1,668.00	
YAC-130-060	1304	578	chrome	532/1815	424/1447	300	15.9	£1,402	£1,682.40	
YAC-170-040	1736	378	chrome	504/1719	402/1372	300	15.0	£1,500	£1,800.00	
YAC-170-050	1736	478	chrome	611/2085	487/1662	300	18.1	£1,530	£1,836.00	
YAC-170-060	1736	578	chrome	703/2399	559/1907	300	21.1	£1,555	£1,866.00	

Zehnder Yucca Asym Double (Not available in chrome. Horizontal tubes on left or right)										
YAD-130-040	1304	378	white	786/2681	625/2133	400	19.7	£731	£877.20	
YAD-130-060	1304	578	white	1117/3811	880/3003	600	28.9	£750	£900.00	
YAD-170-040	1736	378	white	1045/3565	832/2838	500	26.2	£819	£982.80	
YAD-170-050	1736	478	white	1254/4279	995/3395	600	32.3	£941	£1,129.20	
YAD-170-060	1736	578	white	1458/4975	1151/3927	750	38.4	£1,003	£1,203.60	

Dual Energy: Self Fit - (Additional cost to Central Heating model prices) See page 130 for details

Electric Heating Model	Height mm	Width mm	Finish	Electric Immersion Rating (Watts) with factory fitted Ivvar Class I, IPX5, VDE, CE (Suitable for zone 1)	Weight kg	RRP (ex VAT)	RRP (inc 20% VAT)
------------------------	-----------	----------	--------	--	-----------	--------------	-------------------

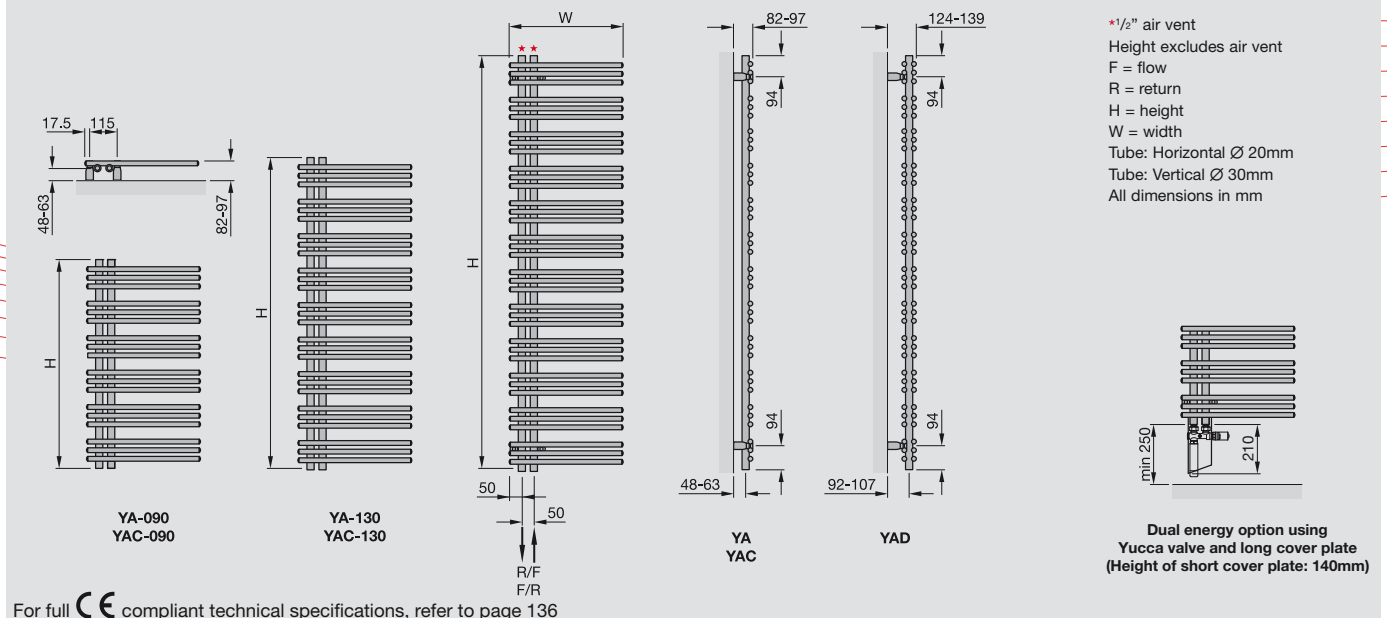
Zehnder Yucca Asym Single Electric (Horizontal tubes on right)							
YAER-130-040/RF	1492	378	white	300	15.5	£1,193	£1,431.60
YAER-170-050/RF	1924	478	white	600	24.3	£1,435	£1,722.00
YAEER-130-040/RF	1492	378	chrome	300	15.5	£2,015	£2,418.00
YAEER-170-050/RF	1924	478	chrome	300	24.3	£2,329	£2,794.80

Horizontal tubes on right-hand side, element in left-hand header. If alternative is required specify at time of order.

Colour finish: Standard colours from the Zehnder colour chart: white + 25%. Colour finish delivery 20-30 working days.
Delivery non-stock products: 10-15 working days. Electric: 15-20 working days.

Accessories			
Model		RRP (ex VAT)	RRP (inc 20% VAT)
Room divider bracket (to be ordered with radiator where required)			
8100936011	white	£121	£145.20
8100936019 + colour code	colour	£151	£181.20
8100936018	chrome	£170	£204.00

Special lengths brackets made to order (price on application)



For full compliant technical specifications, refer to page 136

zehnder *yucca sym*



A celebrated patented design, the stunning Zehnder Yucca is available single or double-tubed in white and colour, and single-tubed in chrome.



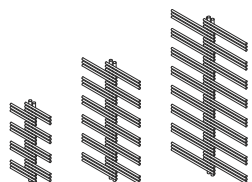
Irvar electric immersion:
see page 131



Yucca valve with short cover plate:
see page 129



Valves: see page 124



Central Heating Model STOCK listed in black	Height mm	Width mm	Finish	Output $\Delta T=60K$ Watts/btu	Output $\Delta T=50K$ Watts/btu	Electric Immersion Rating Watts	Weight kg	RRP (ex VAT)	RRP (inc 20% VAT)
				All outputs certified to EN 442					
Zehnder Yucca Sym Single									
YS-090-050	908	500	white	404/1378	321/1129	200	8.4	£465	£558.00
YS-130-050	1340	500	white	596/2034	477/1628	300	12.6	£589	£706.80
YS-130-060	1340	600	white	676/2306	541/1846	300	14.2	£624	£748.80
YS-130-080	1340	800	white	827/2822	661/2255	500	17.2	£679	£814.80
YS-180-050	1772	500	white	774/2640	621/2119	400	16.8	£668	£801.60
YS-180-060	1772	600	white	882/3009	706/2409	500	18.8	£689	£826.80
YS-180-080	1772	800	white	1083/3695	863/2945	600	22.9	£749	£898.80
YSC-090-050	908	500	chrome	282/961	224/764	150	8.4	£1,286	£1,543.20
YSC-130-050	1340	500	chrome	416/1419	333/1136	200	12.6	£1,351	£1,621.20
YSC-130-060	1340	600	chrome	472/1610	378/1290	300	14.2	£1,462	£1,754.40
YSC-130-080	1340	800	chrome	578/1972	462/1576	300	17.2	£1,542	£1,850.40
YSC-180-050	1772	500	chrome	541/1846	434/1481	300	16.8	£1,437	£1,724.40
YSC-180-060	1772	600	chrome	617/2105	494/1686	300	18.8	£1,561	£1,873.20
YSC-180-080	1772	800	chrome	758/2586	604/2061	400	22.9	£1,630	£1,956.00

Zehnder Yucca Sym Double (not available in chrome)									
YSD-130-050	1340	500	white	897/3060	717/2446	500	22.3	£711	£853.20
YSD-130-060	1340	600	white	1031/3518	823/2808	500	25.3	£793	£951.60
YSD-130-080	1340	800	white	1288/4395	1024/3494	600	31.4	£860	£1,032.00
YSD-180-050	1772	500	white	1163/3968	926/3159	600	29.6	£829	£994.80
YSD-180-060	1772	600	white	1337/4562	1063/3627	600	33.7	£989	£1,186.80
YSD-180-080	1772	800	white	1669/5695	1322/4511	900	41.8	£1,056	£1,267.20

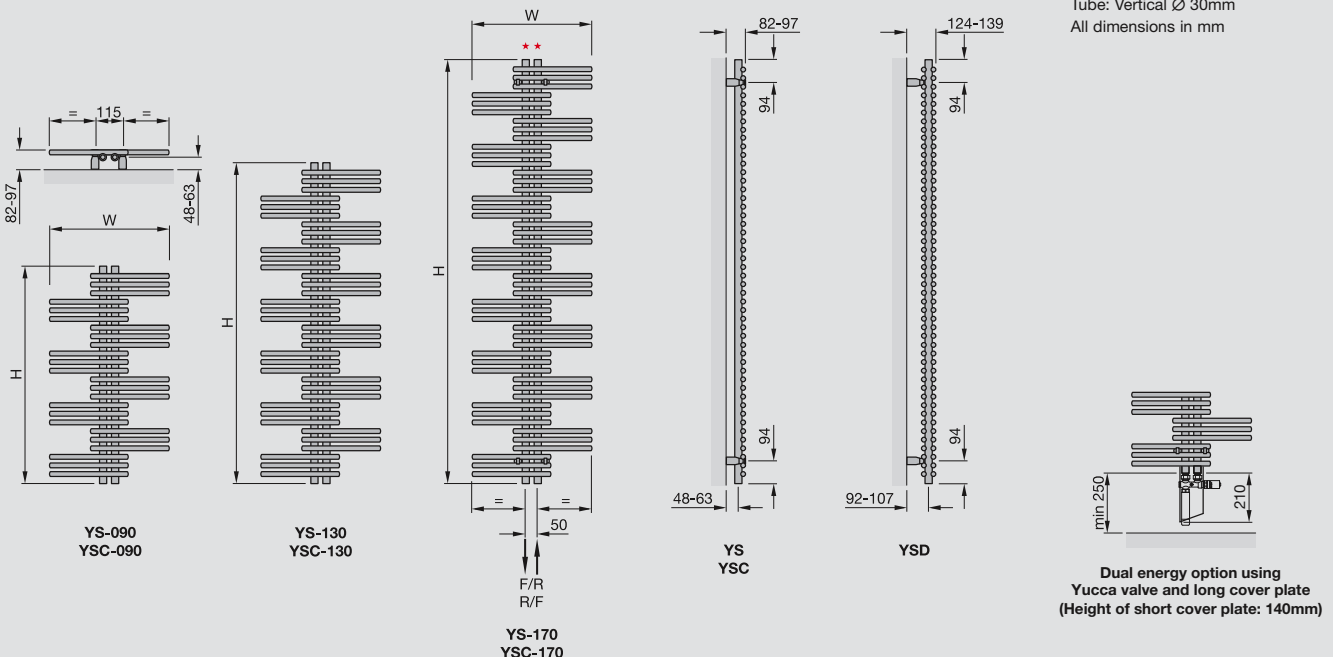
⚡ Dual Energy: Self Fit - (Additional cost to Central Heating model prices) See page 130 for details

Electric Heating Model	Height mm	Width mm	Finish	Electric Immersion Rating (Watts) with factory fitted Irvar Class I, IPX5, VDE, CE (Suitable for zone 1)		Weight kg	RRP (ex VAT)	RRP (inc 20% VAT)
Zehnder Yucca Sym Single Electric								
YSE-130-050/RF	1492	500	white	300		17.1	£1,293	£1,551.60
YSE-180-060/RF	1924	600	white	600		25.3	£1,546	£1,855.20
YSEC-130-050/RF	1492	500	chrome	300		17.1	£2,093	£2,511.60
YSEC-180-060/RF	1924	600	chrome	300		25.3	£2,362	£2,834.40

🎨 Colour finish: Standard colours from the Zehnder colour chart: white + 25%. Colour finish delivery 20-30 working days.

Delivery non-stock products: 10-15 working days. Electric: 15-20 working days.

*1/2" air vent
 Height excludes air vent
 F = flow
 R = return
 H = height
 W = width
 Tube: Horizontal \varnothing 20mm
 Tube: Vertical \varnothing 30mm
 All dimensions in mm



For full **CE** compliant technical specifications, refer to page 137

zehnder metropolitan *spa*



The new Zehnder Metropolitan Spa towel radiator brings an elegant, spa style to modern bathrooms, wet rooms, and kitchens. Connections and air vents are neatly hidden to maintain the formality and purity of the design. Geometric cut-outs create an attractive shape with plenty of space for towels to dry.



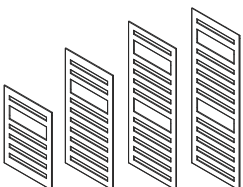
Also available as a room radiator see page 82



Valves: see page 124



METE, METM
Infrared immersion
sensor



EN 442 CE

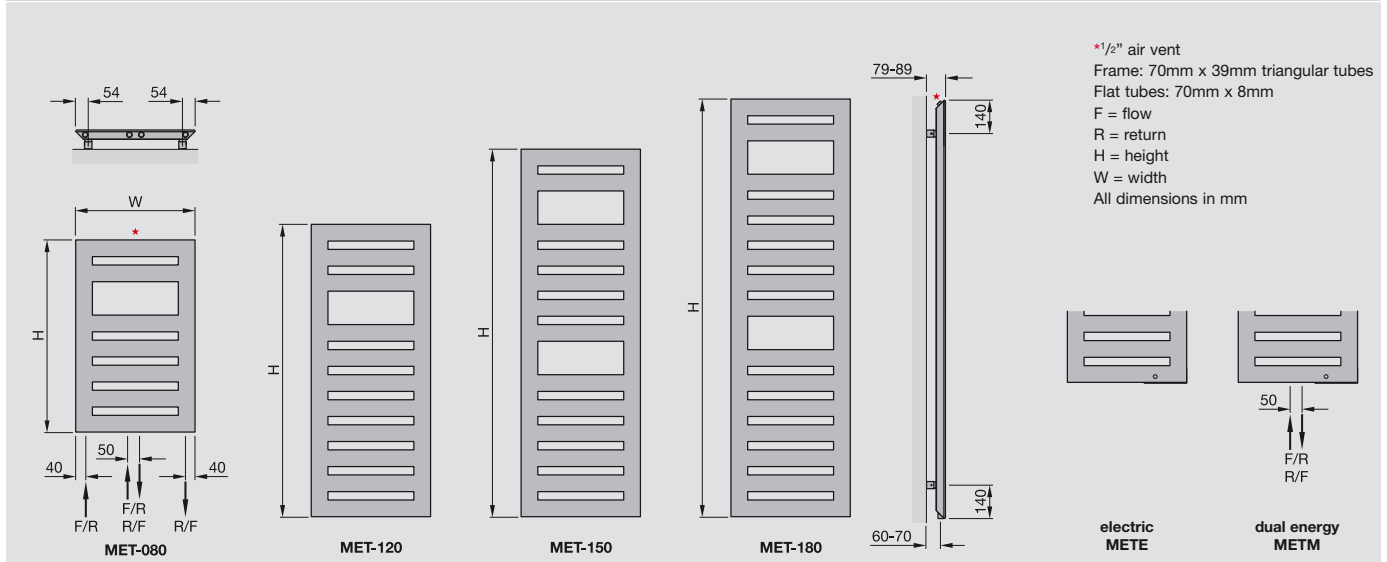
Central Heating Model STOCK listed in black	Height mm	Width mm	Finish	Output $\Delta T=60K$ Watts/btu	Output $\Delta T=50K$ Watts/btu	Electric Immersion Rating Watts	Weight kg	RRP (ex VAT)	RRP (inc 20% VAT)
				All outputs certified to EN 442					
Zehnder Metropolitan Spa									
MET-080-040	805	400	white	411/1400	327/1115	250	6.5	£338	£405.60
MET-080-040-0336	805	400	volcanic	411/1400	327/1115	300	6.5	£423	£507.60
MET-080-040-0523	805	400	beige quartz	411/1400	327/1115	300	6.5	£423	£507.60
MET-080-040-0529	805	400	brown quartz	411/1400	327/1115	300	6.5	£423	£507.60
MET-080-050	805	500	white	488/1665	388/1324	300	7.8	£345	£414.00
MET-080-060	805	600	white	561/1914	445/1518	300	9.1	£356	£427.20
MET-120-040	1225	400	white	596/2034	474/1617	300	9.8	£421	£505.20
MET-120-050	1225	500	white	706/2409	561/1914	400	11.7	£430	£516.00
MET-120-060	1225	600	white	813/2774	645/2201	400	13.5	£445	£534.00
MET-150-040	1540	400	white	732/2498	582/1986	400	11.5	£499	£598.80
MET-150-050	1540	500	white	870/2968	690/2354	500	13.5	£509	£610.80
MET-180-050	1750	500	white	975/3327	775/2644	500	16.3	£569	£682.80
MET-180-060	1750	600	white	1121/3825	889/3033	600	19.0	£586	£703.20

Dual Energy Heating Model	Height mm	Width mm	Output $\Delta T=60K$ Watts/btu	Output $\Delta T=50K$ Watts/btu	With factory-fitted Safir Class 2 IPX4-IPK09 (suitable for Zone 1 bath, Zone 2 shower) Electric Rating (Watts)	Weight kg	RRP (ex VAT)	RRP (inc 20% VAT)
			All outputs certified to EN 442					
Zehnder Metropolitan Spa Dual energy (factory fitted) White RAL 9016								
METM-080-040/ID	805	400	411/1400	327/1115	300	7.0	£608	£729.60
METM-120-040/ID	1225	400	596/2034	474/1617	500	10.3	£675	£810.00
METM-120-050/ID	1225	500	706/2409	561/1914	500	12.2	£690	£828.00
METM-120-060/ID	1225	600	813/2774	645/2201	600	14.0	£711	£853.20
METM-150-050/ID	1540	500	870/2968	690/2354	600	14.0	£773	£927.60
METM-150-060/ID	1540	600	1000/3413	792/2702	750	16.1	£796	£955.20
METM-180-050/ID	1750	500	975/3327	775/2644	750	16.8	£827	£992.40

Electric Heating Model	Height mm	Width mm	Finish	With factory-fitted Safir Class 2 IPX4-IPK09 (suitable for Zone 1 bath, Zone 2 shower) Electric Rating (Watts)		Weight kg	RRP (ex VAT)	RRP (inc 20% VAT)
Zehnder Metropolitan Spa Electric								
METE-080-040/IF	805	400	white	300		9.4	£627	£752.40
METE-120-040/IF	1225	400	white	500		13.8	£689	£826.80
METE-120-050/IF	1225	500	white	500		16.0	£702	£842.40
METE-120-060/IF	1225	600	white	600		18.3	£724	£868.80
METE-150-050/IF	1540	500	white	600		18.5	£788	£945.60
METE-150-060/IF	1540	600	white	750		21.1	£811	£973.20
METE-180-050/IF	1750	500	white	750		22.4	£843	£1,011.60

Accessories			
Model		RRP (ex VAT)	RRP (inc 20% VAT)
468038	Towel-bar for 400 mm width radiator, chrome plated	£87	£104.40
468048	Towel-bar for 500 mm width radiator, chrome plated	£89	£106.80
468058	Towel-bar for 600 mm width radiator, two fixing points, chrome plated	£92	£110.40
480438	Set of hooks (2 pcs.), to clip on, chrome plated	£39	£46.80

Colour finish: Standard colours from the Zehnder colour chart: white + 25%. Colour finish and non-stock products delivery: 20-30 working days.



For full CE compliant technical specifications, refer to page 137

zehnder ax spa
(formerly *altai spa*)



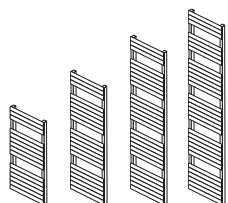
With its single or double tube options, the unique Zehnder Ax Spa can meet all bathroom-heating requirements. It is also available as an oil-filled electric radiator.



Ax spa



Valves: see page 124



Central Heating Model STOCK listed in black	Height mm	Width mm	Finish	Output $\Delta T=60K$ Watts/btu	Output $\Delta T=50K$ Watts/btu	Electric Immersion Rating Watts	Weight kg	RRP (ex VAT)	RRP (inc 20% VAT)	
				All outputs certified to EN 442						
Zehnder Ax Spa (formerly Altai Spa) Single tube (Cloakroom size - see pages 8/9)										
ZAH-048-040	484	400	white	292/996	230/785	n/a	4.5	£162	£194.40	
ZA-048-040-0336	484	400	volcanic	292/996	230/785	n/a	4.5	£202	£242.40	
ZA-048-040-0523	484	400	beige quartz	292/996	230/785	n/a	4.5	£202	£242.40	
ZA-048-040-0529	484	400	brown quartz	292/996	230/785	n/a	4.5	£202	£242.40	

Zehnder Ax Spa (formerly Altai Spa) Single tube										
ZA-080-050	836	500	white	536/1829	427/1457	300	8.6	£367	£440.40	
ZA-120-050	1188	500	white	735/2508	586/1999	300	12.0	£444	£532.80	
ZA-120-060	1188	600	white	859/2930	685/2337	500	13.7	£491	£589.20	
ZA-150-040	1540	400	white	770/2627	614/2095	400	12.3	£496	£595.20	
ZA-150-050	1540	500	white	925/3156	738/2518	500	14.4	£528	£633.60	
ZA-180-050	1804	500	white	1107/3777	884/3016	600	18.6	£634	£760.80	

Zehnder Ax Spa (formerly Altai Spa) Double tube										
ZAD-150-050	1540	500	white	1323/4514	1049/3579	n/a	25.3	£786	£943.20	
ZAD-180-050	1804	500	white	1596/5446	1262/4306	n/a	30.5	£988	£1,185.60	
ZAD-180-060	1804	600	white	1877/6404	1485/5067	n/a	35.6	£1,059	£1,270.80	

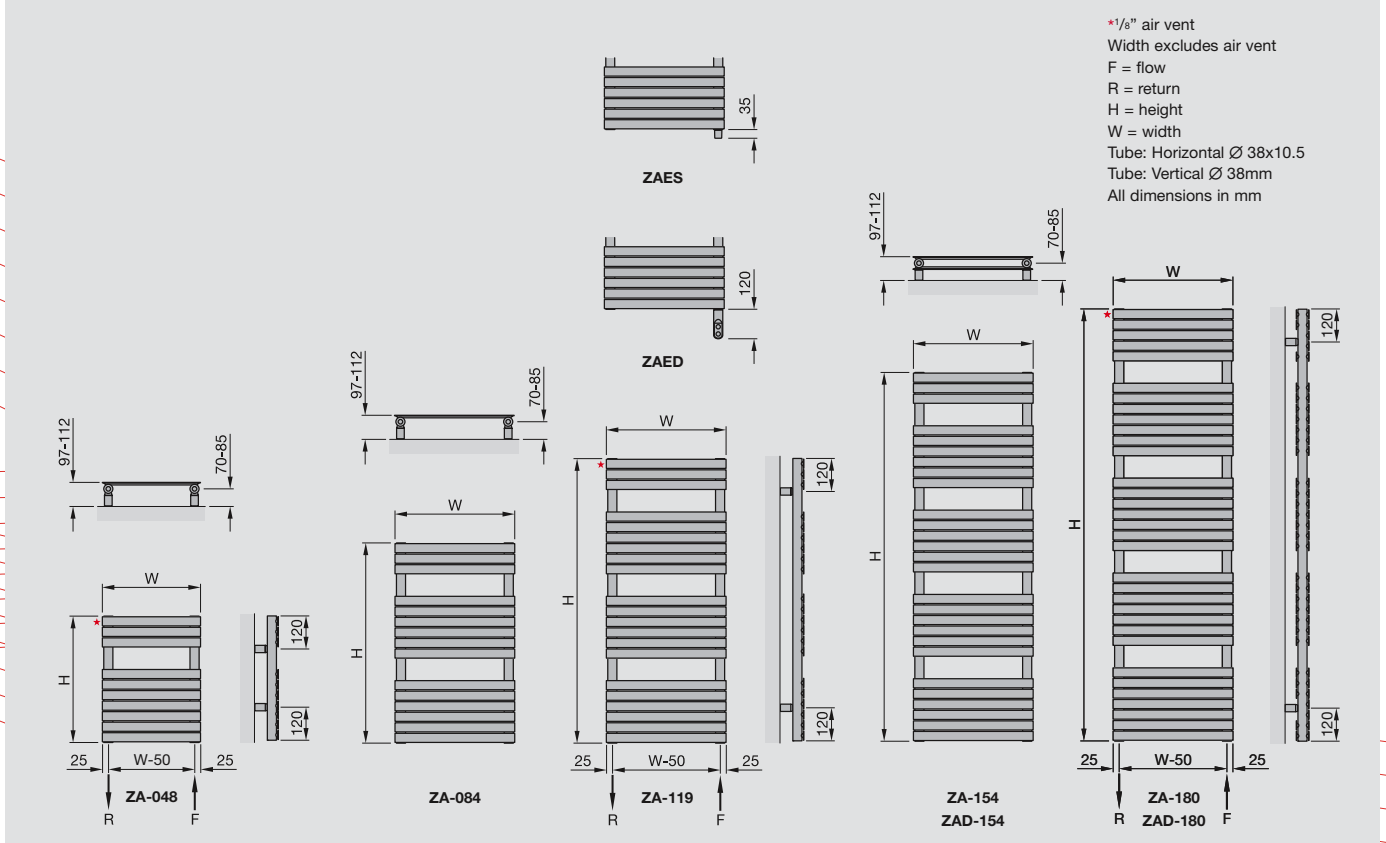
Projection: 97-112mm

Dual energy: Self fit - (additional cost to central heating model prices). Not available for ZAD See page 130 for details.

Colour finish: Standard colours from the Zehnder colour chart: white + 25%. Colour finish and non-stock products delivery: 20-30 working days.

Height mm	Width mm	Finish	Weight kg	Simple electric immersion heater Class I IPX5, Zones 1 and 2				DBM immersion heater Class II IPX4, Zones 1 and 2			
				Model 5-10 days listed in black	Electric rating	RRP (ex VAT)	RRP (inc 20% VAT)	Model 5-10 days listed in black	Electric rating	RRP (ex VAT)	RRP (inc 20% VAT)
Zehnder Ax Spa (formerly Altai Spa) electric only models (with a choice of either a simple immersion heater (no controls) or the DBM immersion heater)											
836	500	white	11	ZAES-080-050	300	£446	£535.20	ZAED-080-050	300	£581	£697.20
1188	500	white	15.3	ZAES-120-050	400	£530	£636.00	ZAED-120-050	300	£665	£798.00
1188	600	white	16	ZAES-120-060	500	£583	£699.60	ZAED-120-060	500	£727	£872.40
1540	400	white	17.2	ZAES-150-040	400	£588	£705.60	ZAED-150-040	300	£723	£867.60
1540	500	white	19.7	ZAES-150-050	500	£624	£748.80	ZAED-150-050	500	£769	£922.80
1804	500	white	23.7	ZAES-180-050	600	£742	£890.40	ZAED-180-050	500	£886	£1,063.20

Note: Height does not include the immersion heater. (See diagrams below)



For full compliant technical specifications, refer to page 137

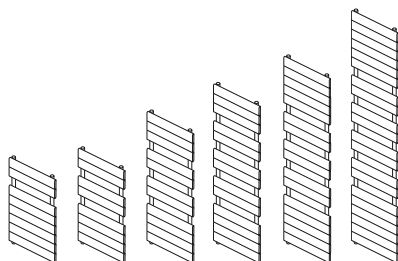
zehnder *roda spa*
(formerly *regate*)



High output and practicality in a contemporary design, the Zehnder Roda Spa is particularly suitable for modern bathrooms with angular sanitaryware.



Valves: see page 124



Central Heating Model STOCK listed in black	Height mm	Width mm	Finish	Output $\Delta T=60K$ Watts/btu	Output $\Delta T=50K$ Watts/btu	Electric Immersion Rating Watts	Weight kg	RRP (ex VAT)	RRP (inc 20% VAT)
				All outputs certified to EN 442					
Zehnder Roda Spa (formerly Regate)									
RO-060-100	667	1000	white	827/2822	656/2238	400	14.6	£400	£480.00
RO-070-050	741	500	white	475/1622	377/1286	200	8.2	£290	£348.00
RO-100-050	1037	500	white	630/2150	504/1720	300	12.2	£344	£412.80
RO-120-050	1259	500	white	732/2498	583/1989	400	14.0	£380	£456.00
RO-150-050	1481	500	white	865/2953	691/2358	500	16.5	£459	£550.80
RO-180-050	1851	500	white	1020/3479	817/2788	500	21.5	£558	£669.60
RO-180-060	1851	600	white	1223/4173	980/3344	600	23.5	£581	£697.20
RO-180-080	1851	800	white	1631/5564	1307/4460	900	31.5	£710	£852.00
RO-070-050-0346	741	500	anthracite 0346	475/1622	377/1286	200	8.2	£362	£434.40
RO-120-050-0346	1259	500	anthracite 0346	732/2498	583/1989	400	14.0	£476	£571.20
RO-150-050-0346	1481	500	anthracite 0346	865/2953	691/2358	500	16.5	£574	£688.80

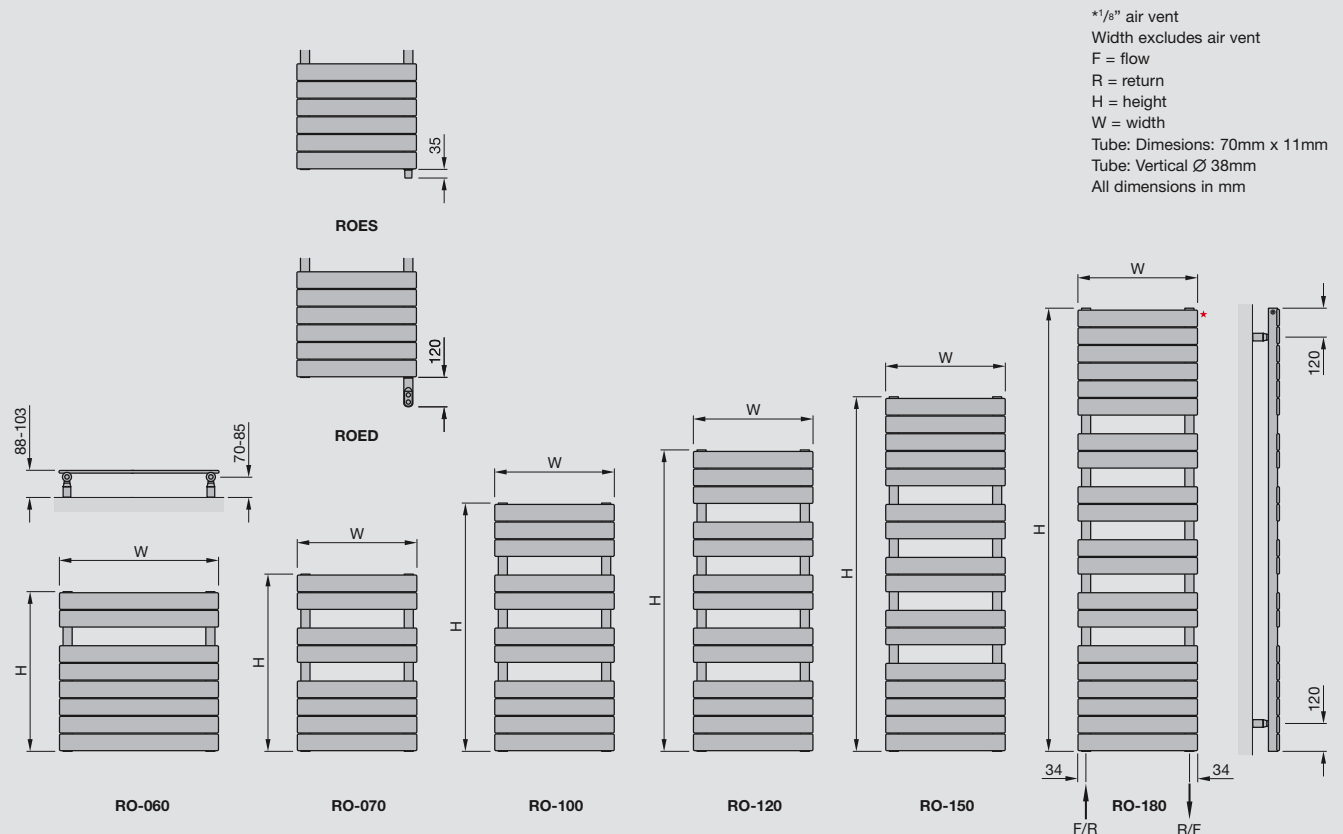
Dual Energy: Self Fit - Additional cost to Central Heating model prices see page 130 for details

Colour finish: Standard colours from the Zehnder colour chart: white + 25%. Colour finish delivery 20-30 working days.

Delivery of non-stock products: 10-15 working days: Electric: 15-20 working days.

Height mm	Width mm	Finish	Weight kg	Simple electric immersion heater Class I IPX5, Zones 1 and 2				DBM immersion heater Class II IPX4, Zones 1 and 2			
				Model 5-10 days listed in black	Electric rating	RRP (ex VAT)	RRP (inc 20% VAT)	Model 5-10 days listed in black	Electric rating	RRP (ex VAT)	RRP (inc 20% VAT)
Zehnder Roda Spa (formerly Regate) electric only models (with a choice of either a simple immersion heater (no controls) or the DBM immersion heater)											
667	1000	white	20.1	ROES-060-100	400	£480	£576.00	ROED-060-100	300	£604	£724.80
741	500	white	11.9	ROES-070-050	250	£357	£428.40	n/a			
1037	500	white	17.3	ROES-100-050	300	£419	£502.80	ROED-070-050	300	£543	£651.60
1259	500	white	20.1	ROES-120-050	400	£458	£549.60	ROED-120-050	300	£582	£698.40
1481	500	white	23.8	ROES-150-050	500	£546	£655.20	ROED-150-050	500	£679	£814.80
1851	500	white	30	ROES-180-050	500	£655	£786.00	ROED-180-050	500	£789	£946.80
1851	600	white	33.8	ROES-180-060	600	£682	£818.40	ROED-180-060	600	£815	£978.00
1851	800	white	44	ROES-180-080	900	£824	£988.80	ROED-180-080	900	£974	£1,168.80
741	500	anthracite	11.9	ROES-070-100-0346	250	£447	£536.40	n/a			
1259	500	anthracite	20.1	ROES-120-050-0346	400	£573	£687.60	ROED-120-050-0346	300	£729	£874.80
1481	500	anthracite	23.8	ROES-150-050-0346	500	£683	£819.60	ROED-150-050-0346	500	£849	£1,018.80

Note: Height does not include the immersion heater. (See diagrams below)



For full compliant technical specifications, refer to page 138

zehnder *roda spa asym* (formerly *fassane spa*)



A highly functional and stylish towel rail with a practical asymmetrical design which allows easy access for hanging of towels. The Zehnder Roda Spa Asym central heating model is available with the horizontal tubes facing left or right.



Roda Spa Asym
brown quartz



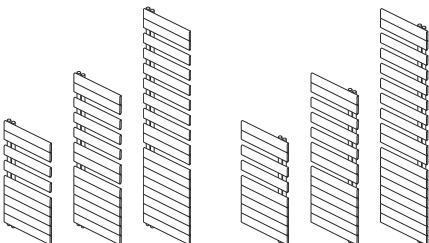
Roda Spa Asym
beige quartz



Roda Spa Asym
volcanic



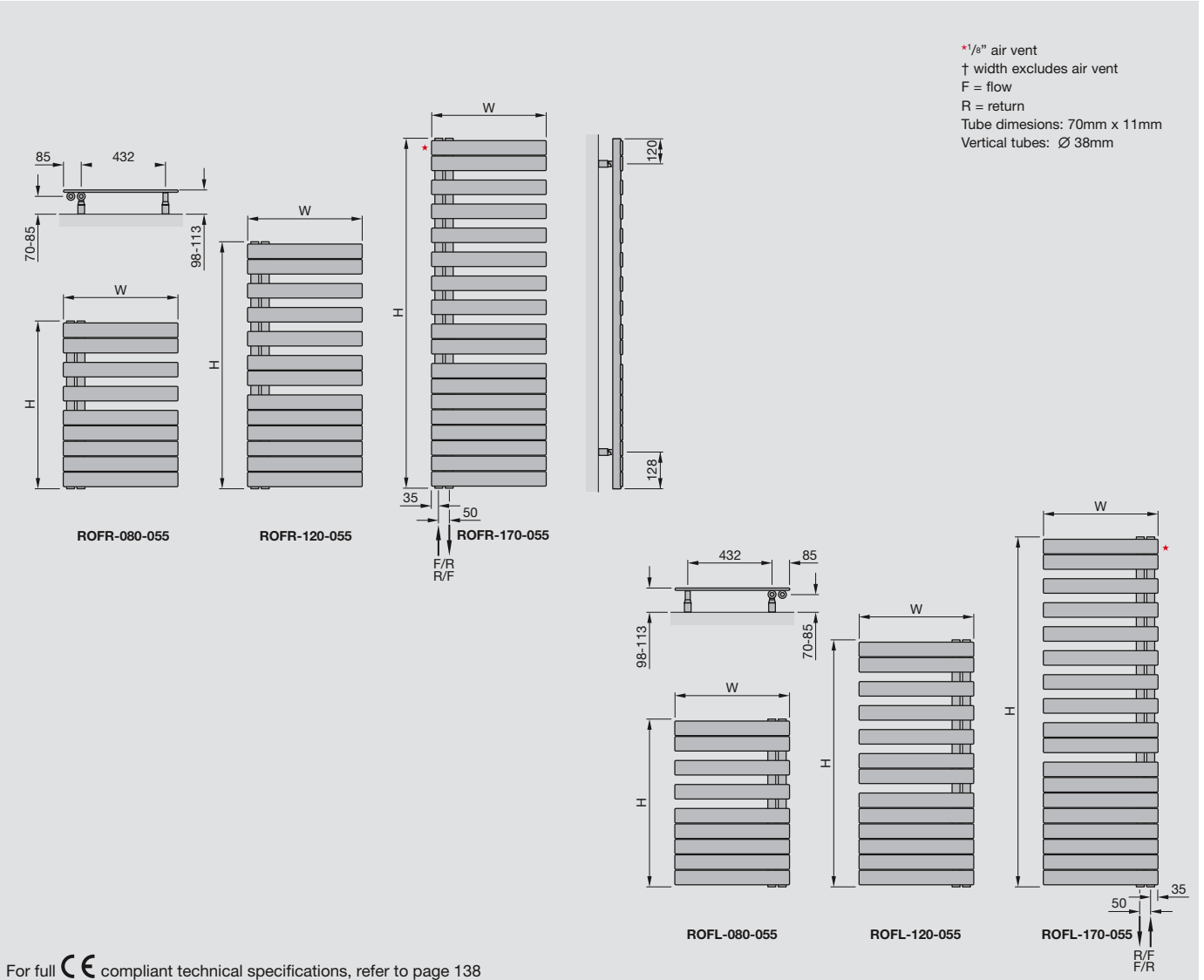
Valves: see page 124



Central Heating Model STOCK listed in black	Height mm	Width mm	Finish	Output $\Delta T=60K$ Watts/btu	Output $\Delta T=50K$ Watts/btu	Electric Immersion Rating Watts	Weight kg	RRP (ex VAT)	RRP (inc 20% VAT)	
				All outputs certified to EN 442						
🔧 Zehnder Roda Spa Asym (formerly Fassane Spa)										
ROFL-080-055	805	550	white	537/1832	429/1464	300	10	£307	£368.40	
ROFL-120-055	1183	550	white	746/2545	594/2027	400	14	£380	£456.00	
ROFL-170-055	1676	550	white	1019/3477	809/2760	500	20	£510	£612.00	
ROFR-080-055	805	550	white	537/1832	429/1464	300	10	£307	£368.40	
ROFR-120-055	1183	550	white	746/2545	594/2027	400	14	£380	£456.00	
ROFR-170-055	1676	550	white	1019/3477	809/2760	500	20	£510	£612.00	
ROFL-080-055-0336	805	550	volcanic	537/1832	429/1464	300	10	£383	£459.60	
ROFL-120-055-0336	1183	550	volcanic	746/2545	594/2027	400	14	£475	£570.00	
ROFL-170-055-0336	1676	550	volcanic	1019/3477	809/2760	500	20	£638	£765.60	
ROFR-080-055-0336	805	550	volcanic	537/1832	429/1464	300	10	£383	£459.60	
ROFR-120-055-0336	1183	550	volcanic	746/2545	594/2027	400	14	£475	£570.00	
ROFR-170-055-0336	1676	550	volcanic	1019/3477	809/2760	500	20	£638	£765.60	
ROFL-080-055-0523	805	550	beige quartz	537/1832	429/1464	300	10	£383	£459.60	
ROFL-120-055-0523	1183	550	beige quartz	746/2545	594/2027	400	14	£475	£570.00	
ROFL-170-055-0523	1676	550	beige quartz	1019/3477	809/2760	500	20	£638	£765.60	
ROFR-080-055-0523	805	550	beige quartz	537/1832	429/1464	300	10	£383	£459.60	
ROFR-120-055-0523	1183	550	beige quartz	746/2545	594/2027	400	14	£475	£570.00	
ROFR-170-055-0523	1676	550	beige quartz	1019/3477	809/2760	500	20	£638	£765.60	
ROFL-080-055-0529	805	550	brown quartz	537/1832	429/1464	300	10	£383	£459.60	
ROFL-120-055-0529	1183	550	brown quartz	746/2545	594/2027	400	14	£475	£570.00	
ROFL-170-055-0529	1676	550	brown quartz	1019/3477	809/2760	500	20	£638	£765.60	
ROFR-080-055-0529	805	550	brown quartz	537/1832	429/1464	300	10	£383	£459.60	
ROFR-120-055-0529	1183	550	brown quartz	746/2545	594/2027	400	14	£475	£570.00	
ROFR-170-055-0529	1676	550	brown quartz	1019/3477	809/2760	500	20	£638	£765.60	

⚡ Dual Energy: Self Fit - Additional cost to Central Heating model prices see page 130 for details

🎨 Colour finish: Standard colours from the Zehnder colour chart: white + 25%. Colour finish and non-stock products delivery: 20-30 working days.



For full CE compliant technical specifications, refer to page 138

zehnder *roda spa asym*
(formerly *fassane spa*)



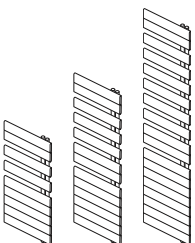
The Roda Spa Asym
with its easy to operate
memoprogram immersion heater
is a favourite for its overall
functionality.



See page 131 for
further information.



Chromed round
pegs: see page 123



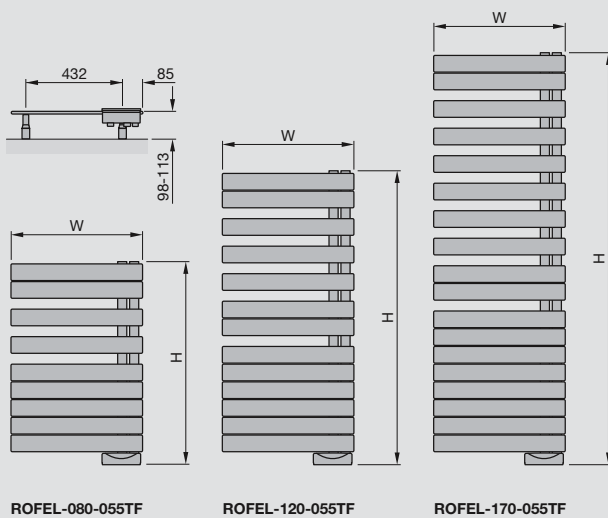
CE

Electric Heating Model STOCK listed in black	Height mm	Width mm	Finish	Electric Immersion Rating (Watts) with factory fitted Memoprogram immersion Class II, IPX4, IK09, Zone 1 bath, Zone 2 shower	Weight kg	RRP (ex VAT)	RRP (inc 20% VAT)
⚡ Zehnder Roda Spa Asym (formerly Fassane Spa) Electric							
ROFEL-080-55/TF	862	550	white	500	15	£473	£567.60
ROFEL-120-55/TF	1230	550	white	750	21	£538	£645.60
ROFEL-170-55/TF	1723	550	white	1000	29	£663	£795.60

TFL model, fitted with an infra-red controlled immersion heater available. Details and prices on application.

🌀 **Colour finish:** Standard colours from the Zehnder colour chart: white + 25%. Colour finish and non-stock products delivery: 20-30 working days.

H = height
W = width
Tube: Dimensions: 70mm x 11mm
Tube: Vertical tubes: Ø 38mm
All dimensions in mm



zehnder *fina*



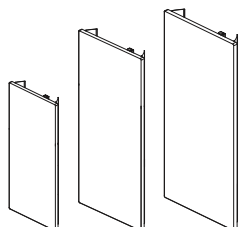
Elegant and efficient. The radiant heat from the large heating surface is particularly comfortable. Adjustable side panels extend the designer radiator right up against the wall. The mounting and technical components remain out of sight without interfering with the overall appearance. The smooth surface is easy to clean. Zehnder Fina is available in several gloss or matt colours and surface finishes. With its flat, minimalist design, Zehnder Fina blends into any modern bathroom.



Accessories: see page 49



Valves: see page 124



PLUS X AWARD

2011

BEST PRODUCT OF THE YEAR

2011



red dot design award
winner 2012



product design award

2013

EN 442



Central Heating Model STOCK listed in black	Height mm	Width mm	Finish	Output $\Delta T=60K$ Watts/btu	Output $\Delta T=50K$ Watts/btu	Centre from wall mm	Weight kg	RRP (ex VAT)	RRP (inc 20% VAT)
				All outputs certified to EN 442					
Zehnder Fina									
FIV-130-050	1300	500	white	641/2187	513/1750	47	17.5	£518	£621.60
FIV-150-050	1500	500	white	726/2477	580/1979	47	20.0	£526	£631.20
FIV-150-060	1500	600	white	870/2968	695/2371	47	24.0	£569	£682.80
FIV-180-050	1800	500	white	852/2907	681/2324	47	23.6	£582	£698.40
FIV-180-060	1800	600	white	1022/3487	817/2788	47	28.3	£601	£721.20

Colour finish: Standard colours from the Zehnder colour chart: white + 25%. Colour finish and non-stock products: 20-30 working days.

Accessories

Model	Width	RRP (ex VAT)	RRP (inc 20% VAT)
468158	522mm towel bar	£62	£74.40
468168	622mm towel bar	£68	£81.60

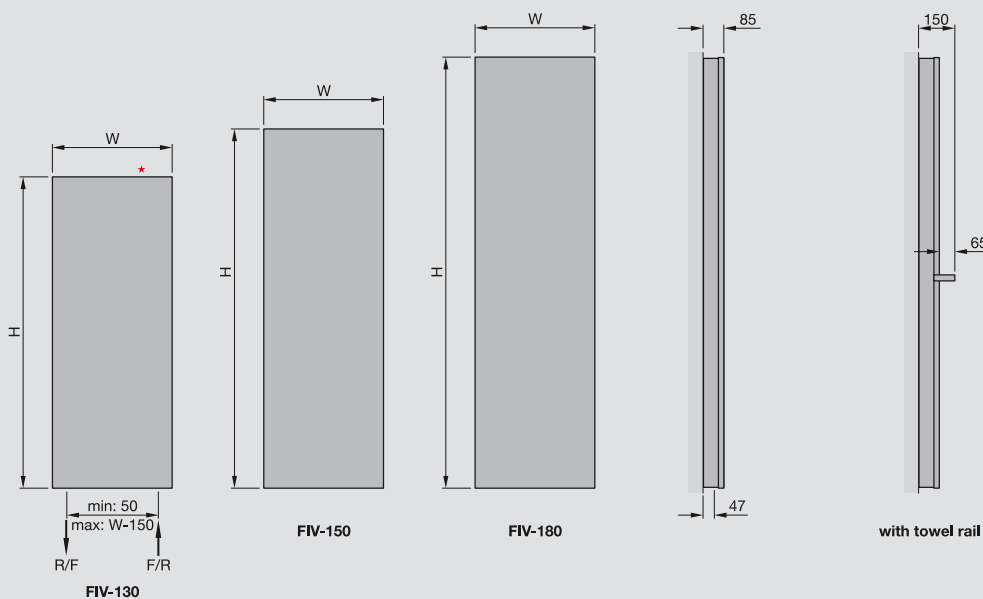


Adjustable connection positions to suit new or existing pipe work, supplied pre-positioned to suit 50mm centre connections with flow on right.



Self adjusting side panels adapt to the wall spacing, concealing brackets.

*1/2" air vent
 F = flow
 R = return
 H = height
 W = width
 All dimensions in mm



zehnder *charleston bar*



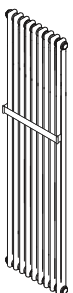
The popular multi-column with the chrome towel bar combines warmth and practicality.




Valves: see page 124




Lambswool brush



Central Heating Model STOCK listed in black	Height mm	Width mm	No. of sections	Finish	Output $\Delta T=60K$ Watts/btu	Output $\Delta T=50K$ Watts/btu	Centre from wall	Overall projection	Weight kg	RRP (ex VAT)	RRP (inc 20% VAT)
					All outputs certified to EN 442						

 Zehnder Charleston Bar (Cloakroom size - see pages 10/11)

M2075-06	742	306	6	white	414/1410	330/1128	59	134	7.2	£230	£276.00
M2075-06-0336	742	306	6	volcanic	414/1410	330/1128	59	134	7.2	£257	£308.40
M2075-06-RAL	742	306	6	colour	414/1410	330/1128	59	134	7.2	£257	£308.40


 Zehnder Charleston Bar

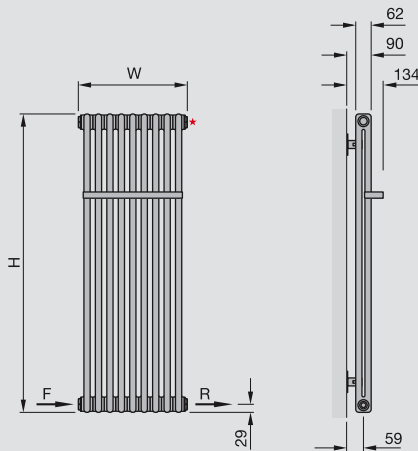
M2090-09	900	444	9	white	722/2463	575/1961	59	134	12.6	£308	£369.60
M2120-09	1200	444	9	white	937/3197	744/2358	59	134	17.1	£375	£450.00
M2150-09	1500	444	9	white	1182/4033	936/3198	59	134	20.7	£420	£504.00
M2180-09	1800	444	9	white	1422/4824	1116/3807	59	134	24.3	£452	£542.40
M2090-09-0336	900	444	9	volcanic	722/2463	575/1961	59	134	12.6	£354	£424.80
M2120-09-0336	1200	444	9	volcanic	937/3197	744/2358	59	134	17.1	£438	£525.60
M2150-09-0336	1500	444	9	volcanic	1182/4033	936/3198	59	134	20.7	£494	£592.80
M2180-09-0336	1800	444	9	volcanic	1422/4824	1116/3807	59	134	24.3	£534	£640.80
M2090-09-RAL	900	444	9	colour	722/2463	575/1961	59	134	12.6	£354	£424.80
M2120-09-RAL	1200	444	9	colour	937/3197	744/2358	59	134	17.1	£438	£525.60
M2150-09-RAL	1500	444	9	colour	1182/4033	936/3198	59	134	20.7	£494	£592.80
M2180-09-RAL	1800	444	9	colour	1422/4824	1116/3807	59	134	24.3	£534	£640.80

1 x 368mm chrome towel bar included. Projection including towel bar: 134mm

Accessories

Model		RRP (ex VAT)	RRP (inc 20% VAT)
8100 601020	Lambs wool brush	£48	£57.60
8100 966018	Additional 368mm Towel Bar	£123	£147.60

 **Colour finish:** Standard colours from the Zehnder colour chart: white + 25%. Colour finish delivery: 20-30 working days.



*1/2" air vent
 Width excludes air vent
 F = flow
 R = return
 H = height
 W = width
 Tube: \varnothing 25mm
 All dimensions in mm

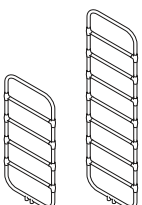
zehnder *nobis*



Elegant patented chrome towel drying radiator with unique contemporary joints.



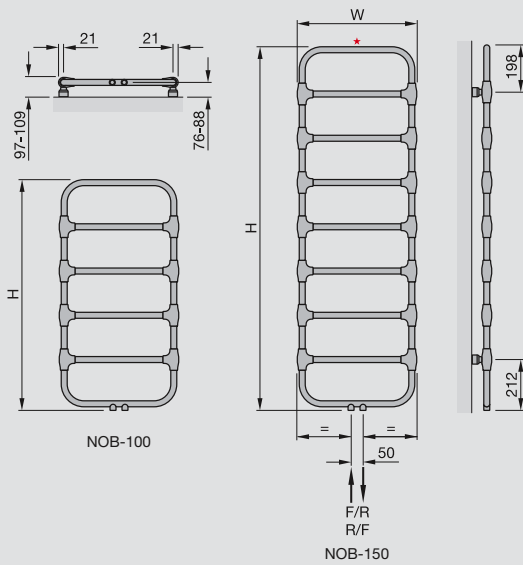
Valves: see page 124



EN 442 CE

Central Heating Model STOCK listed in black	Height mm	Width mm	Finish	Output $\Delta T=60K$ Watts/btu	Output $\Delta T=50K$ Watts/btu	Electric Immersion Rating Watts	Weight kg	RRP (ex VAT)	RRP (inc 20% VAT)
				All outputs certified to EN 442					
Zehnder Nobis									
NOB-100-050	965	500	chrome	266/908	210/717	n/a	9.0	£798	£957.60
NOB-150-050	1520	chrome	412/1406	325/1109	n/a	14.0	£979	£1,174.80	

*1/2" air vent (rear)
F = flow
R = return
H = height
W = width
Tube: \varnothing 25mm
All dimensions in mm



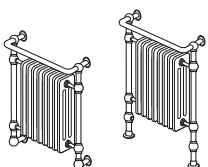
zehnder *lambeth*




Traditional elegance in chrome and RAL 9010 white, suitable for floor or wall mounting. Manufactured from steel, the Zehnder Lambeth models are only suitable for installation on central heating systems.



Valves: see page 124




Central Heating Model STOCK listed in black	Height mm	Width mm	Finish	Output $\Delta T=60K$ Watts/btu	Output $\Delta T=50K$ Watts/btu	Electric Immersion Rating Watts	Weight kg	RRP (ex VAT)	RRP (inc 20% VAT)
				All outputs certified to EN 442					

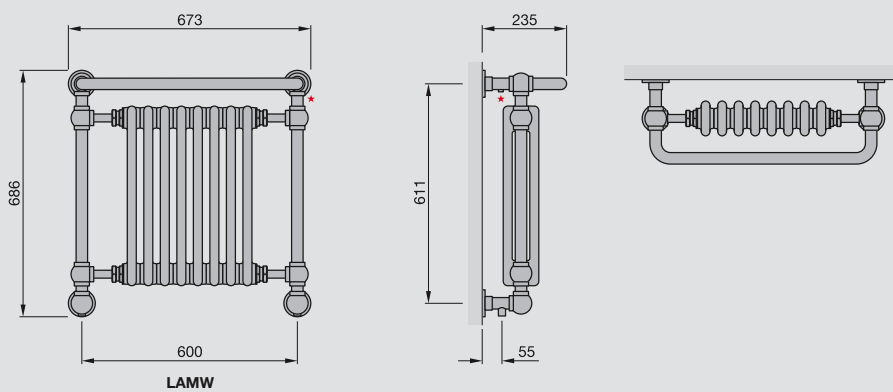
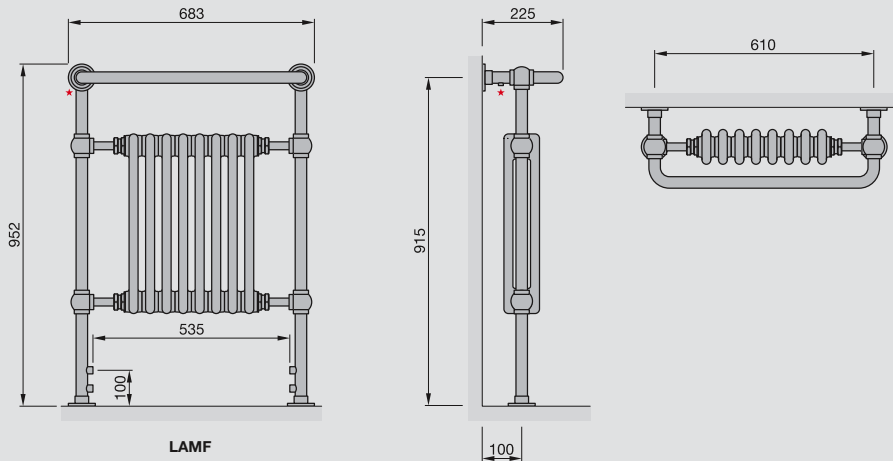
 Zehnder Lambeth floor supported traditional radiator

LAMF-095-069	952	683	chrome	667/2276	530/1808	n/a	15.8	£320	£384.00
---------------------	-----	-----	--------	----------	----------	-----	------	-------------	----------------

Central Heating Model STOCK listed in black	Height mm	Width mm	Finish	Output $\Delta T=60K$ Watts/btu	Output $\Delta T=50K$ Watts/btu	Electric Immersion Rating Watts	Weight kg	RRP (ex VAT)	RRP (inc 20% VAT)
				All outputs certified to EN 442					

 Zehnder Lambeth wall supported traditional radiator

LAMW-069-068	686	673	chrome	649/2214	519/1771	n/a	16.3	£338	£405.60
---------------------	-----	-----	--------	----------	----------	-----	------	-------------	----------------



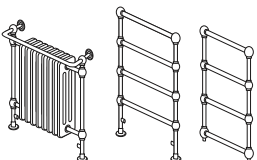
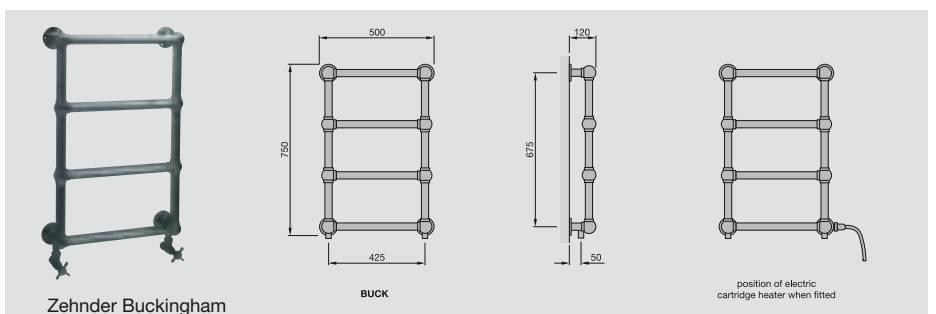
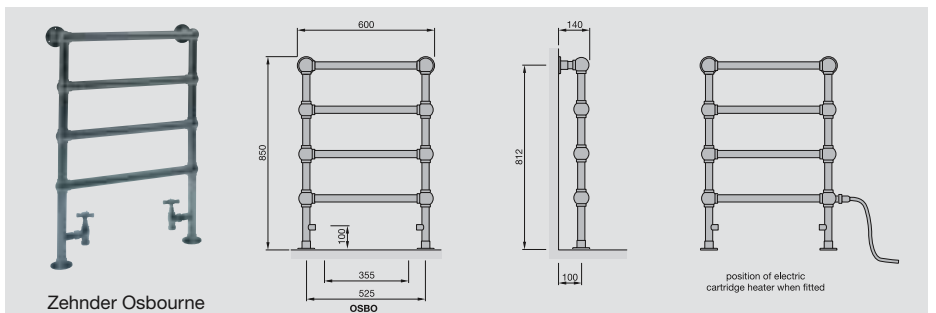
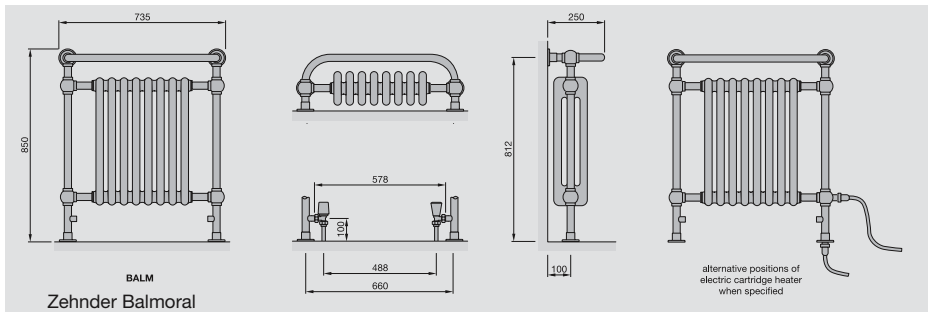
Traditional range



Distinguished luxury available in chrome or antique gold, for central heating, domestic hot water, dual energy or electric only installations.



Valves: see page 124



Traditional range Model STOCK listed in black	Code	Height mm	Width mm	Finish	Output ΔT=60K Watts/BTU	Output ΔT=50K Watts/BTU	Electric Immersion Rating Watts	RRP (ex VAT)	RRP (inc 20% VAT)
					All outputs certified to EN 442				
Central heating only models (the Zehnder Balmoral is not suitable for domestic hot water systems)									
Zehnder Balmoral	BALM CPHO	850	735	chrome	1050/3583	871/2972	n/a	£1,070	£1,284.00
	BALM AGHO			antique gold	1050/3583	871/2972		£1,298	£1,557.60
Central heating and domestic hot water models									
Zehnder Osbourne	OSBO CPHO	850	600	chrome	280/955	232/792	n/a	£590	£708.00
	OSBO AGHO			antique gold	280/955	232/792		£723	£867.60
Zehnder Buckingham	BUCK CPHO	750	500	chrome	260/887	215/734	n/a	£590	£708.00
	BUCK AGHO			antique gold	260/887	215/734		£723	£867.60
Dual energy models (IPX5, Zone 1)									
Zehnder Balmoral	BALM CPDE	850	735	chrome	1050/3583	871/2972	400	£1,373	£1,647.60
	BALM AGDE			antique gold	1050/3583	871/2972		£1,569	£1,882.80
Zehnder Osbourne	OSBO CPDE	850	600	chrome	280/955	232/792	150	£856	£1,027.20
	OSBO AGDE			antique gold	280/955	232/792		£972	£1,166.40
Zehnder Buckingham	BUCK CPDE	750	500	chrome	260/887	215/734	150	£832	£998.40
	BUCK AGDE			antique gold	260/887	215/734		£978	£1,173.60
Electric only models (IPX5, Zone 1) Immersion heater (no controls) on right-hand side as standard									
Zehnder Balmoral	BALM CPEO	850	735	chrome	n/a	n/a	400	£1,431	£1,717.20
	BALM AGEO			antique gold	n/a	n/a		£1,630	£1,956.00
Zehnder Osbourne	OSBO CPEO	850	600	chrome	n/a	n/a	150	£924	£1,108.80
	OSBO AGEO			antique gold	n/a	n/a		£1,035	£1,242.00
Zehnder Buckingham	BUCK CPEO	750	500	chrome	n/a	n/a	150	£916	£1,099.20
	BUCK AGEO			antique gold	n/a	n/a		£1,035	£1,242.00

Colour finish for Zehnder Balmoral column radiator: List price of central heating model + 25%

Alternative Finish Options

Mixage finish (chrome rails with antique gold ball joints): List price of chrome models + 25%
 Nickel finish: List price of chrome models + 25%

All dimensions in mm

For full compliant technical specifications, refer to page 139

Stainless steel heated towel rails and radiators

Heat at its most versatile

The versatility of stainless steel radiators is a well established fact. Suitable for installation on a central heating or domestic hot water system, and whether highly polished, brushed or with a painted finish, its high resistance to corrosion and 10 year warranty is a notable benefit. The range of aesthetic designs suitable for bathrooms, kitchens or room radiators offers a complete choice to the home owner.





zehnder stellar



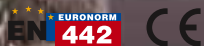
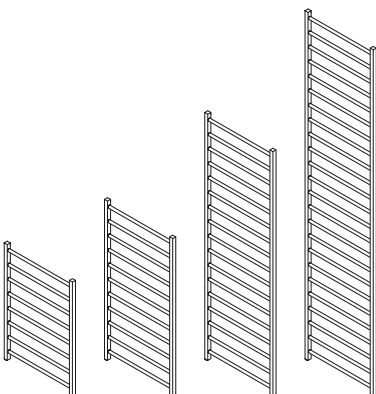
Simple, elegant and contemporary, the stainless steel Stellar is the ideal solution for minimalist bathroom designs.



Valves: see page 124



Bracket detail

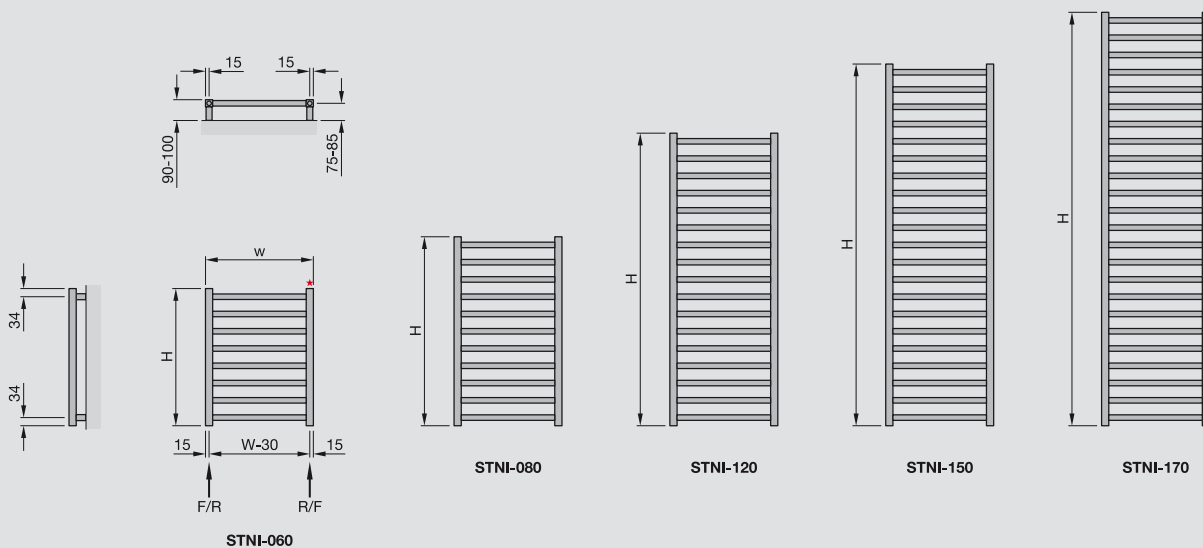


Stainless Steel STOCK listed in black	Height mm	Width mm	Finish	Output ΔT=60K Watts/btu	Output ΔT=50K Watts/btu	Electric Immersion Rating Watts	Weight kg	RRP (ex VAT)	RRP (inc 20% VAT)
				All outputs certified to EN 442					
Zehnder Stellar Stainless Steel									
STNI-060-045	572	450	s/steel polished	196/669	159/541	100	3.3	£221	£265.20
STNI-060-100	572	1000	s/steel polished	351/1196	284/970	200	5.8	£463	£555.60
STNI-080-030	788	300	s/steel polished	196/668	159/541	100	3.6	£219	£262.80
STNI-080-045	788	450	s/steel polished	254/868	206/702	150	4.5	£289	£346.80
STNI-080-060	788	600	s/steel polished	317/1082	253/863	150	5.4	£359	£430.80
STNI-120-030	1220	300	s/steel polished	313/1067	242/826	150	5.5	£314	£376.80
STNI-120-045	1220	450	s/steel polished	391/1334	316/1078	150	6.9	£429	£514.80
STNI-120-060	1220	600	s/steel polished	484/1650	391/1334	200	8.4	£553	£663.60
STNI-150-045	1508	450	s/steel polished	488/1665	389/1327	300	8.5	£541	£649.20
STNI-150-060	1508	600	s/steel polished	618/2109	491/1675	300	10.2	£697	£836.40
STNI-170-045	1724	450	s/steel polished	558/1905	452/1542	300	10.0	£652	£782.40
STNI-170-060	1724	600	s/steel polished	685/2337	545/1860	400	12.0	£840	£1,008.00
STNI-060-045-RAL	572	450	s/steel painted	291/993	233/795	100	3.3	£221	£265.20
STNI-060-100-RAL	572	1000	s/steel painted	537/1833	430/1467	200	5.8	£463	£555.60
STNI-080-030-RAL	788	300	s/steel painted	290/989	232/792	100	3.6	£219	£262.80
STNI-080-045-RAL	788	450	s/steel painted	396/1351	317/1082	150	4.5	£289	£346.80
STNI-080-060-RAL	788	600	s/steel painted	493/1683	395/1348	150	5.4	£359	£430.80
STNI-120-030-RAL	1220	300	s/steel painted	442/1507	353/1204	150	5.5	£314	£376.80
STNI-120-045-RAL	1220	450	s/steel painted	602/2054	482/1645	150	6.9	£429	£514.80
STNI-120-060-RAL	1220	600	s/steel painted	749/2557	600/2047	200	8.4	£553	£663.60
STNI-150-045-RAL	1508	450	s/steel painted	740/2523	591/2016	300	8.5	£541	£649.20
STNI-150-060-RAL	1508	600	s/steel painted	921/3143	736/2511	300	10.2	£697	£836.40
STNI-170-045-RAL	1724	450	s/steel painted	841/2869	672/2293	300	10.0	£652	£782.40
STNI-170-060-RAL	1724	600	s/steel painted	1047/3571	838/2859	400	12.0	£840	£1,008.00

Dual Energy: Self Fit - Additional cost to Central Heating model prices see page 130 for details

Colour finish: Standard colours from the Zehnder colour chart. Delivery of colour finish and non-stock products: 20-30 working days.

*1/2" air vent
Height excludes air vent
F = flow
R = return
H = height
W = width
Tube: Horizontal Ø 23mm
Tube: Vertical 30x30mm
All dimensions in mm



zehnder stellar spa



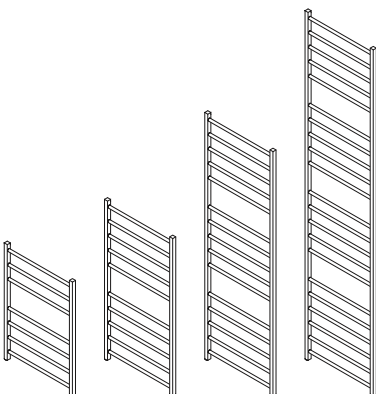
Contemporary in design in stainless steel to suit the latest lifestyle trends. Suitable for dual energy installation for year-long comfort.



Valves: see page 124



Bracket detail

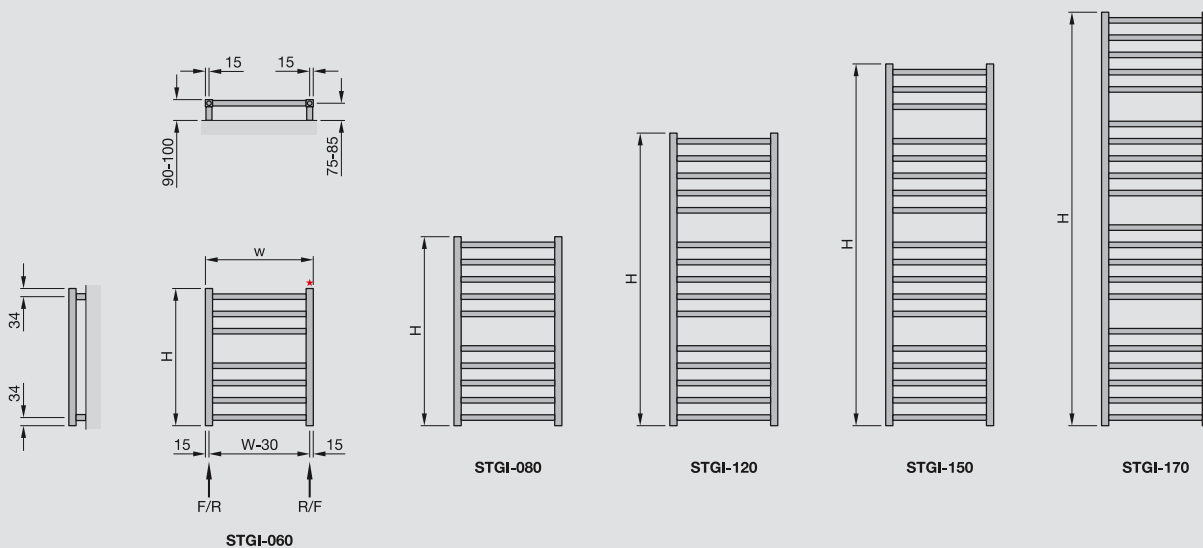


Stainless Steel STOCK listed in black	Height mm	Width mm	Finish	Output $\Delta T=60K$ Watts/btu	Output $\Delta T=50K$ Watts/btu	Electric Immersion Rating Watts	Weight kg	RRP (ex VAT)	RRP (inc 20% VAT)
				All outputs certified to EN 442					
Zehnder Stellar Spa Stainless Steel									
STGI-060-045	572	450	s/steel polished	202/689	161/549	100	3.1	£217	£260.40
STGI-060-100	572	1000	s/steel polished	336/1146	272/928	150	5.3	£455	£546.00
STGI-080-030	788	300	s/steel polished	214/730	171/583	100	3.4	£216	£259.20
STGI-080-045	788	450	s/steel polished	275/938	220/751	100	4.2	£286	£343.20
STGI-080-060	788	600	s/steel polished	306/1044	243/829	150	5.0	£355	£426.00
STGI-120-030	1220	300	s/steel polished	301/1027	240/819	150	5.2	£309	£370.80
STGI-120-045	1220	450	s/steel polished	388/1324	309/1054	150	6.5	£422	£506.40
STGI-120-060	1220	600	s/steel polished	475/1621	379/1293	200	7.7	£544	£652.80
STGI-150-045	1508	450	s/steel polished	456/1556	361/1232	300	7.8	£532	£638.40
STGI-150-060	1508	600	s/steel polished	566/1931	448/1529	300	9.3	£685	£822.00
STGI-170-045	1724	450	s/steel polished	545/1860	434/1481	200	9.4	£642	£770.40
STGI-170-060	1724	600	s/steel polished	652/2225	517/1764	300	11.2	£826	£991.20
STGI-060-045-RAL	572	450	s/steel painted	274/933	219/747	100	3.1	£217	£260.40
STGI-060-100-RAL	572	1000	s/steel painted	492/1679	394/1344	150	5.3	£455	£546.00
STGI-080-030-RAL	788	300	s/steel painted	272/929	218/744	100	3.4	£216	£259.20
STGI-080-045-RAL	788	450	s/steel painted	367/1253	294/1003	100	4.2	£286	£343.20
STGI-080-060-RAL	788	600	s/steel painted	454/1550	363/1239	150	5.0	£355	£426.00
STGI-120-030-RAL	1220	300	s/steel painted	415/1418	332/1133	150	5.2	£309	£370.80
STGI-120-045-RAL	1220	450	s/steel painted	561/1913	448/1529	150	6.5	£422	£506.40
STGI-120-060-RAL	1220	600	s/steel painted	695/2370	554/1890	200	7.7	£544	£652.80
STGI-150-045-RAL	1508	450	s/steel painted	696/2374	556/1897	300	7.8	£532	£638.40
STGI-150-060-RAL	1508	600	s/steel painted	860/2933	687/2344	300	9.3	£685	£822.00
STGI-170-045-RAL	1724	450	s/steel painted	799/2728	640/2184	200	9.4	£642	£770.40
STGI-170-060-RAL	1724	600	s/steel painted	990/3377	791/2699	300	11.2	£826	£991.20

Dual Energy: Self Fit - Additional cost to Central Heating model prices see page 130 for details

Colour finish: Standard colours from the Zehnder colour chart. Delivery of colour finish and non-stock products: 20-30 working days.

*1/2" air vent
 Height excludes air vent
 F = flow
 R = return
 H = height
 W = width
 Tube: Horizontal \varnothing 23mm
 Tube: Vertical 30x30mm
 All dimensions in mm



For full compliant technical specifications, refer to page 140

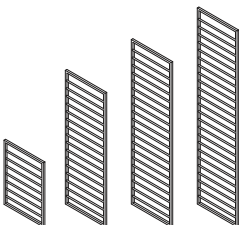
zehnder subway



With its classic lines and broad appeal, the stainless steel Zehnder Subway towel rail offers versatility, comfort and superb design.



Valves: see page 124



EN 442 CE

Stainless Steel Model STOCK listed in black	Height mm	Width mm	Finish	Output $\Delta T=60K$ Watts/btu	Output $\Delta T=50K$ Watts/btu	Electric Immersion Rating Watts	Weight kg	RRP (ex VAT)	RRP (inc 20% VAT)
				All outputs certified to EN 442					
Zehnder Subway Stainless Steel (brushed)									
SUBI-060-045	613	450	stainless steel	279/952	221/754	150	5.1	£381	£457.20
SUBI-130-045	1261	450	stainless steel	463/1581	370/1262	200	8.7	£533	£639.60
SUBI-130-060	1261	600	stainless steel	560/1910	447/1525	300	10.4	£591	£709.20
SUBI-150-045	1549	450	stainless steel	557/1901	445/1518	300	10.4	£627	£752.40
SUBI-150-060	1549	600	stainless steel	674/2298	538/1836	300	12.4	£698	£837.60
SUBI-180-060	1837	600	stainless steel	793/2704	633/2160	400	14.4	£782	£938.40

Dual Energy: Self Fit - Additional cost to Central Heating model prices. See page 130 for details

Height mm	Width mm	Finish	Weight kg	Simple electric immersion heater Class I IPX5, Zones 1 and 2				Electric immersion heater with Safir Class II IPX4, Zones 1 and 2			
				Model 5-10 days listed in black	Electric rating	RRP (ex VAT)	RRP (inc 20% VAT)	Model 5-10 days listed in black	Electric rating	RRP (ex VAT)	RRP (inc 20% VAT)

Zehnder Subway electric only models (with a choice of either a simple immersion heater (no controls) or the Safir immersion heater)

613	450	s/steel	7.4	SUBIES-060-045	150	£461	£553.20	n/a			
1261	450	s/steel	13.2	SUBIES-130-045	250	£618	£741.60	SUBEI-130-045/IF	300	£868	£1,041.60
1261	600	s/steel	15.8	SUBIES-130-060	300	£682	£818.40	n/a			
1549	450	s/steel	15.9	SUBIES-150-045	300	£724	£868.80	SUBEI-150-045/IF	300	£1,027	£1,232.40
1549	600	s/steel	19.6	SUBIES-150-060	300	£801	£961.20	SUBEI-150-060/IF	500	£1,155	£1,386.00
1837	600	s/steel	21.8	SUBIES-180-060	400	£892	£1070.40	SUBEI-180-060/IF	600	£1,266	£1,519.20

The immersion heater is fitted to the right hand header as standard, but can be in the left handed header if stipulated at order stage.

Note: Height does not include the immersion heater. (See diagrams below)

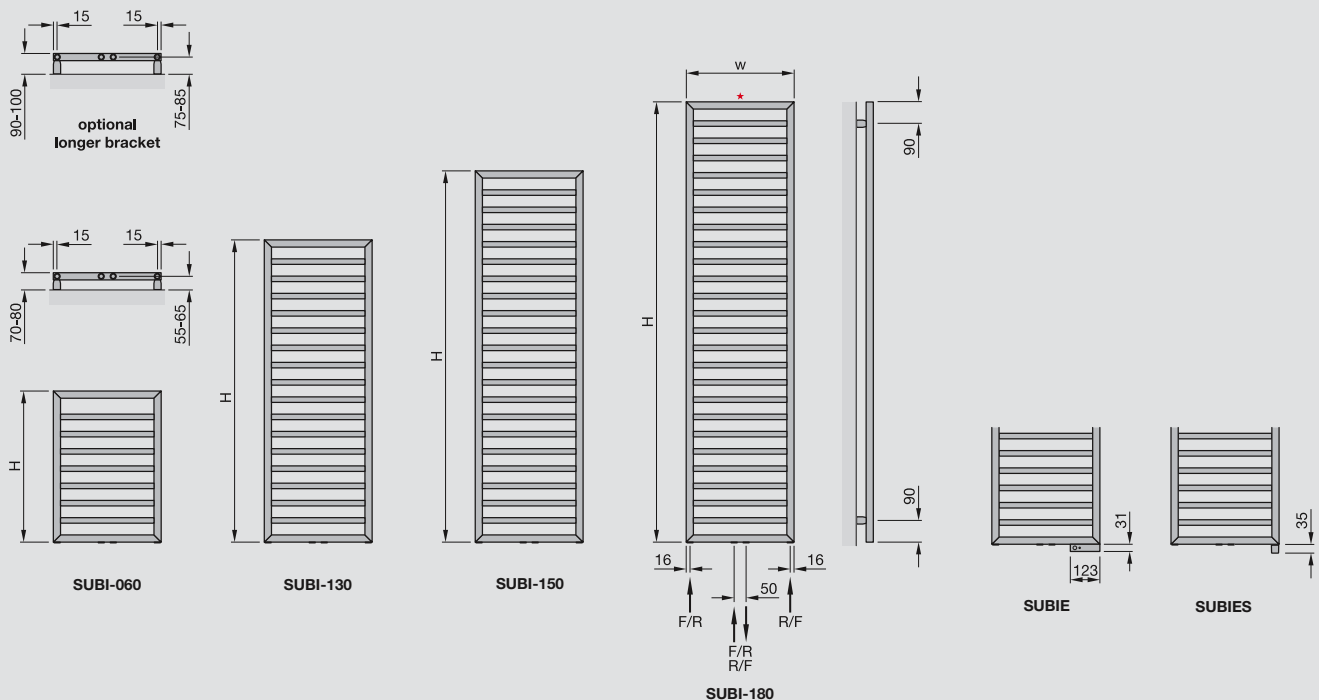
Colour finish: Standard colours from the Zehnder colour chart. Colour finish and non-stock products delivery: 20-30 working days.

Optional wall brackets: Increases space behind rail by 20mm

Model	RRP (ex VAT)	RRP (inc 20% VAT)
952119	£36	£43.20

All brackets for stainless steel radiators, (other than colour finishes) are supplied with an Inox painted stainless steel finish.

*1/2" air vent
Height excludes air vent
F = flow
R = return
H = height
W = width
Tube: Horizontal \varnothing 23mm
Tube: Vertical 30x30mm
All dimensions in mm



For full compliant technical specifications, refer to page 141

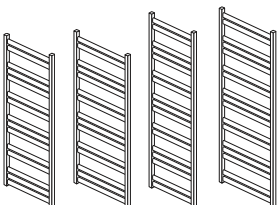
zehnder *cove*




Distinctive elegance
combining brushed
stainless steel with perfectly
proportioned polished steel
sections to enhance any
bathroom design.
10 year warranty.



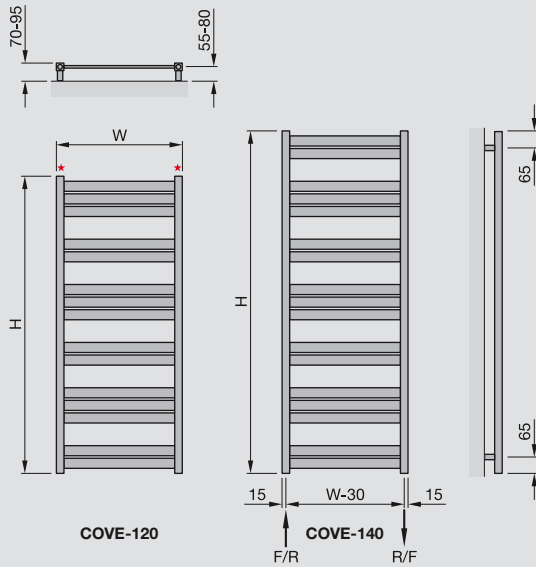
Valves: see page 124



EN 442 CE

Stainless Steel STOCK listed in black	Height mm	Width mm	Finish	Output $\Delta T=60K$ Watts/btu	Output $\Delta T=50K$ Watts/btu	Electric Immersion Rating Watts	Weight kg	RRP (ex VAT)	RRP (inc 20% VAT)
				All outputs certified to EN 442					
 Zehnder Cove Stainless Steel									
COVE-120-50	1180	500	stainless steel	385/1314	304/1037	200	10.3	£769	£922.80
COVE-120-60	1180	600	stainless steel	445/1518	351/1198	200	12.0	£796	£955.20
COVE-140-50	1360	500	stainless steel	437/1491	345/1177	200	11.6	£1,075	£1,290.00
COVE-140-60	1360	600	stainless steel	510/1740	402/1372	200	13.6	£1,104	£1,324.80

 Dual Energy: Self Fit - Additional cost to Central Heating model prices see page 130 for details



*1/2" air vent
 Height excludes air vent
 F = flow
 R = return
 H = height
 W = width
 Tube: Horizontal 30x15mm
 Tube: Vertical 30x30mm
 All dimensions in mm

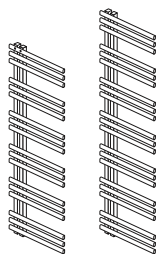
zehnder *keel asym*



Now available in both polished and brushed stainless steel, stylishly practical radiator giving easy access for hanging towels, enhanced with a polished band of steel between the vertical tubes. 10 year warranty.



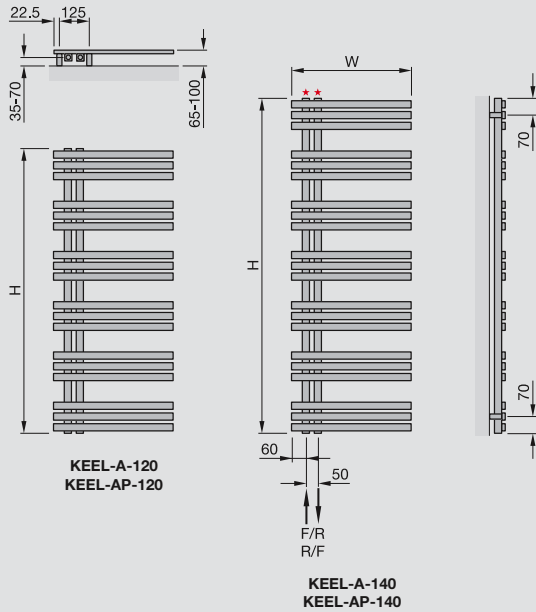
Valves: see page 124



Stainless Steel STOCK listed in black	Height mm	Width mm	Finish	Output $\Delta T=60K$ Watts/btu	Output $\Delta T=50K$ Watts/btu	Electric Immersion Rating Watts	Weight kg	RRP (ex VAT)	RRP (inc 20% VAT)	
				All outputs certified to EN 442						
Zehnder Keel Asym stainless steel										
KEEL-A-120-50	1190	500	s/steel brushed	389/1327	307/1047	200	12.4	£746	£895.20	
KEEL-A-140-50	1400	500	s/steel brushed	452/1542	357/1218	200	14.5	£849	£1,018.80	
KEEL-AP-120-50	1190	500	s/steel polished	389/1327	307/1047	200	12.4	£820	£984.00	
KEEL-AP-140-50	1400	500	s/steel polished	452/1542	357/1218	200	14.5	£934	£1,120.80	

Dual Energy: Self Fit - Additional cost to Central Heating model prices see page 130 for details

*1/2" air vent
 † height excludes air vent
 F = flow
 R = return
 Tube: Horizontal 30x15mm
 Vertical 30x30mm



The Keel Asym can be installed with the horizontal tubes on the left or right hand side.

zehnder *keel sym*



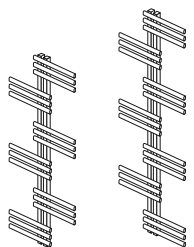
Unique, polished or brushed stainless steel radiator finished with a highly polished centre piece to complement chrome bathroom fittings. 10 year warranty.



Brushed steel version



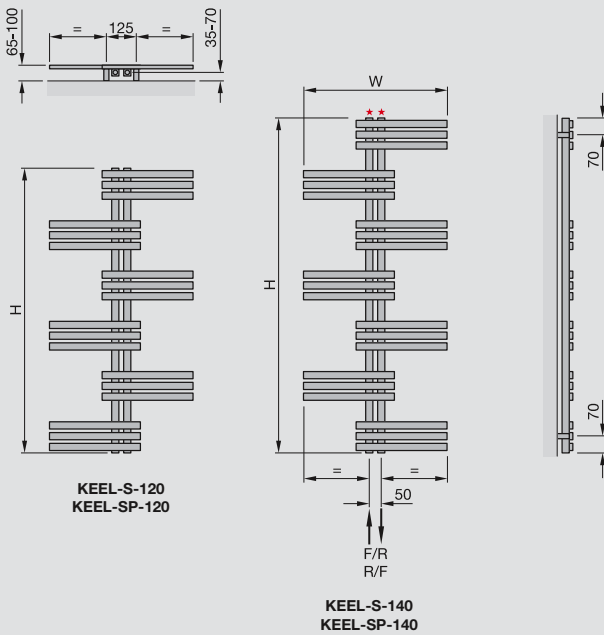
Valves: see page 124



Stainless Steel STOCK listed in black	Height mm	Width mm	Finish	Output $\Delta T=60K$ Watts/btu	Output $\Delta T=50K$ Watts/btu	Electric Immersion Rating Watts	Weight kg	RRP (ex VAT)	RRP (inc 20% VAT)	
				All outputs certified to EN 442						
Zehnder Keel Sym Stainless Steel										
KEEL-S-120-60	1190	600	s/steel brushed	322/1099	254/867	150	10.3	£718	£861.60	
KEEL-S-140-60	1400	600	s/steel brushed	379/1293	299/1020	200	12.0	£815	£978.00	
KEEL-SP-120-60	1190	600	s/steel polished	322/1099	254/867	150	10.3	£788	£945.60	
KEEL-SP-140-60	1400	600	s/steel polished	379/1293	299/1020	200	12.0	£897	£1,076.40	

Dual Energy: Self Fit - Additional cost to Central Heating model prices see page 130 for details

*1/2" air vent
 Height excludes air vent
 F = flow
 R = return
 H = height
 W = width
 Tube: Horizontal 30x15mm
 Tube: Vertical 30x30mm
 All dimensions in mm



zehnder bay



Stainless steel radiator with a brushed finish. Attractively proportioned with 8 connection possibilities for total flexibility, to suit any installation requirement. Includes option with convector fin (BAYF) for even greater heat output



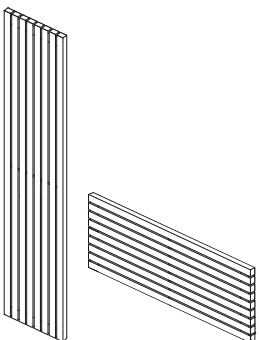
Accessories: see page 73



Valves: see page 124



Towel bars: see page 73



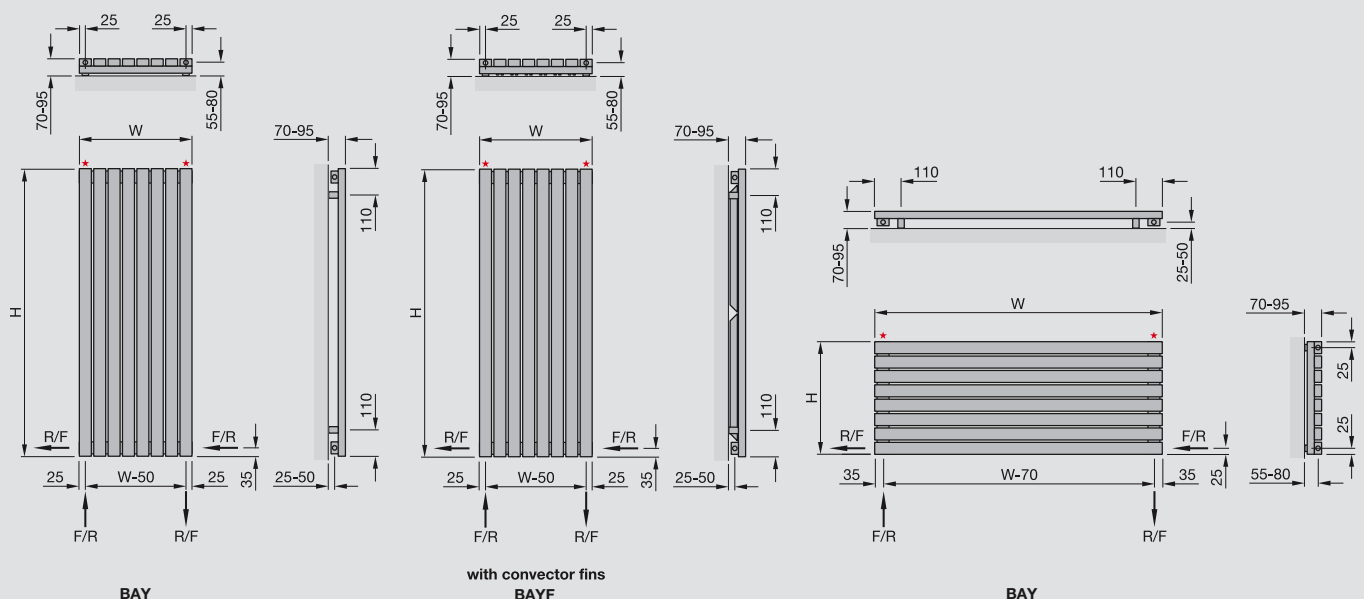
Stainless Steel STOCK listed in black	Height mm	Width mm	Finish	Number of elements	Output $\Delta T=60K$ Watts/btu	Output $\Delta T=50K$ Watts/btu	Weight kg	RRP (ex VAT)	RRP (inc 20% VAT)
					All outputs certified to EN 442				
Zehnder Bay Vertical stainless steel (brushed)									
BAY-100-09	1000	530	stainless steel	9	543/1853	421/1436	15.3	£622	£746.40
BAY-120-08	1200	470	stainless steel	8	591/2016	458/1563	16.0	£652	£782.40
BAY-120-09	1200	530	stainless steel	9	666/2272	516/1761	18.0	£730	£876.00
BAY-150-05	1500	290	stainless steel	5	471/1607	365/1245	12.5	£526	£631.20
BAY-170-05	1700	290	stainless steel	5	532/1815	412/1406	14.0	£598	£717.60
BAY-170-08	1700	470	stainless steel	8	851/2904	659/2249	22.4	£934	£1,120.80
BAY-170-09	1700	530	stainless steel	9	958/3269	742/2532	25.2	£1,033	£1,239.60
BAYF-100-09	1000	530	stainless steel	9	741/2528	583/1989	20.7	£665	£798.00
BAYF-120-09	1200	530	stainless steel	9	873/2979	686/2341	23.4	£780	£936.00
BAYF-150-05	1500	290	stainless steel	5	596/2034	466/1590	16.5	£544	£652.80
BAYF-170-05	1700	290	stainless steel	5	670/2286	520/1774	17.2	£585	£702.00
BAYF-170-08	1700	470	stainless steel	8	1072/3658	832/2839	30.4	£989	£1,186.80
BAYF-170-09	1700	530	stainless steel	9	1206/4115	936/3194	34.2	£1,104	£1,324.80

Stainless Steel STOCK listed in black	Height mm	Width mm	Finish	Number of elements	Output $\Delta T=60K$ Watts/btu	Output $\Delta T=50K$ Watts/btu	Weight kg	RRP (ex VAT)	RRP (inc 20% VAT)
					All outputs certified to EN 442				
Zehnder Bay Horizontal stainless steel (brushed)									
BAY-100-09	530	1000	stainless steel	9	543/1853	421/1436	15.3	£622	£746.40
BAY-120-08	470	1200	stainless steel	8	591/2016	458/1563	16.0	£652	£782.40
BAY-120-09	530	1200	stainless steel	9	666/2272	516/1761	18.0	£730	£876.00
BAY-150-05	290	1500	stainless steel	5	471/1607	365/1245	12.5	£526	£631.20
BAY-170-05	290	1700	stainless steel	5	532/1815	412/1406	14.0	£598	£717.60
BAY-170-08	470	1700	stainless steel	8	851/2904	659/2249	22.4	£934	£1,120.80
BAY-170-09	530	1700	stainless steel	9	958/3269	742/2532	25.2	£1,033	£1,239.60

Accessories			
Model		RRP (ex VAT)	RRP (inc 20% VAT)
Bay peg	Set of 2 chrome pegs	£67	£80.40
Bay Towel Bar	290mm Brushed st steel	£71	£85.20
Bay Towel Bar	290mm Polished st steel	£97	£116.40

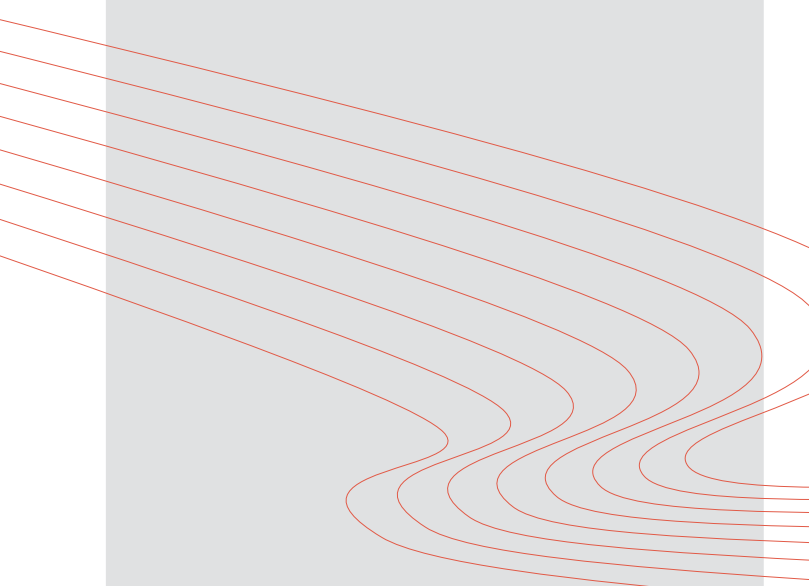
Bay Towel bar not suitable for use with BAYF models.

*1/2" air vent
 Height excludes air vent
 F = flow
 R = return
 H = height
 W = width
 Tube: 30x50mm
 All dimensions in mm



For full compliant technical specifications, refer to page 142

General purpose radiators

A series of red, wavy, horizontal lines that resemble sound waves or heat radiating from the left side of the page, extending across the grey background.

Heating solutions for individuals. Anyone furnishing a house or an apartment is guided not only by practical considerations but also by his or her own taste. Zehnder's radiators show how individual heating solutions for living areas can be achieved. Their wealth of shapes, colours, dimensions and functions provides inspiration for interior design which is bursting with personality.





zehnder *charleston*



The Zehnder Charleston multi-column design is equally at home in modern environments, and is available in a wide range of stocked horizontal and vertical models, or made-to-measure, including angled and curved.



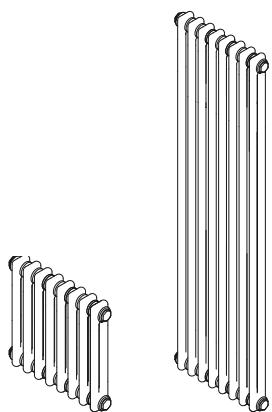
Adjustable foot



See page 77



Copper-black hammered finish (0421)



Central Heating Model STOCK listed in black	Height mm	Width mm	Overall Projection	No. of sections	Output $\Delta T=60K$ Watts/btu	Output $\Delta T=50K$ Watts/btu	Weight kg	RRP (ex VAT)	RRP (inc 20% VAT)
					All outputs certified to EN 442				
🔧 Zehnder Charleston Vertical white RAL 9016									
M2180-6	1800	306	90	6	948/3216	744/2539	16.4	£219	£262.80
M2180-8	1800	398	90	8	1264/4288	992/3385	21.9	£292	£350.40
M2180-10	1800	490	90	10	1580/5360	1240/4231	27.3	£365	£438.00
M2180-12	1800	582	90	12	1896/6432	1488/5077	32.8	£438	£525.60
M3180-6	1800	306	90	6	1269/4331	996/3398	24.6	£300	£360.00
M3180-8	1800	398	90	8	1692/5775	1328/4531	32.8	£400	£480.00
M3180-10	1800	490	90	10	2116/7218	1660/5664	41.0	£500	£600.00
🔧 Zehnder Charleston Horizontal white RAL 9016									
M2050-10	500	490	90	10	479/1634	384/1310	7.9	£148	£177.60
M2050-14	500	674	90	14	671/2289	538/1836	11.0	£207	£248.40
M2050-18	500	858	90	18	862/2943	691/2358	14.2	£266	£319.20
M2050-22	500	1042	90	22	1054/3595	845/2883	17.4	£325	£390.00
M2050-26	500	1226	90	26	1245/4248	998/3405	20.5	£384	£460.80
M2060-10	600	490	90	10	565/1928	453/1546	9.5	£153	£183.60
M2060-14	600	674	90	14	790/2695	634/2163	13.3	£214	£256.80
M2060-18	600	858	90	18	1016/3467	815/2781	17.1	£275	£330.00
M2060-22	600	1042	90	22	1243/4241	997/3402	20.9	£336	£403.20
M2060-24	600	1134	90	24	1368/4656	1080/3685	22.8	£366	£439.20
M2060-28	600	1318	90	28	1596/5432	1260/4284	26.6	£427	£512.40
M3050-18	500	858	128	18	1158/3951	929/3170	21.4	£315	£378.00
M3050-22	500	1042	128	22	1415/4828	1135/3873	26.2	£385	£462.00
M3050-26	500	1226	128	26	1673/5708	1342/4579	30.9	£455	£546.00
M3050-30	500	1410	128	30	1930/6585	1548/5282	35.7	£525	£630.00
M3060-10	600	490	128	10	770/2630	609/2078	13.9	£185	£222.00
M3060-14	600	674	128	14	1078/3682	853/2910	19.4	£259	£310.80
M3060-18	600	858	128	18	1369/4671	1096/3740	24.9	£333	£399.60
M3060-20	600	950	128	20	1540/5260	1220/4163	27.7	£370	£444.00
M3060-24	600	1134	128	24	1848/6312	1464/4995	33.2	£444	£532.80
M3060-30	600	1410	128	30	2282/7786	1827/6234	41.6	£555	£666.00
M3075-14	750	674	128	14	1299/4432	1040/3548	24.3	£291	£349.20
M3075-22	750	1042	128	22	2042/6967	1635/5579	38.2	£457	£548.40
M3075-26	750	1226	128	26	2413/8233	1932/6592	45.1	£540	£648.00
M4030-20	300	950	164	20	1060/3617	840/2866	21.3	£372	£446.40
M4030-30	300	1410	164	30	1590/5430	1260/4299	32.0	£558	£669.60
M4060-14	600	674	164	14	1397/4767	1117/3811	27.3	£273	£327.60
M4060-18	600	858	164	18	1796/6128	1436/4900	35.1	£351	£421.20
M4060-20	600	950	164	20	2020/6900	1600/5459	39.0	£390	£468.00
M4060-24	600	1134	164	24	2424/8280	1920/6551	46.8	£468	£561.60
M4075-14	750	674	164	14	1706/5821	1364/4654	33.6	£329	£394.80
M4075-18	750	858	164	18	2193/7483	1753/5981	43.2	£423	£507.60
M4075-22	750	1042	164	22	2681/9148	2143/7312	52.8	£517	£620.40
M4075-26	750	1226	164	26	3168/10809	2532/8639	62.5	£611	£733.20

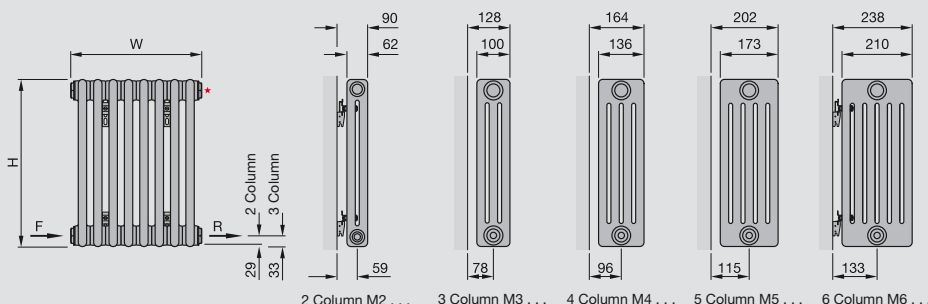
🔧 **Colour finish:** Standard colours from the Zehnder colour chart: white + 25%. Colour finish and non-stock products delivery: 15-20 working days.

Accessories

Model		RRP (ex VAT)	RRP (inc 20% VAT)
8100601020	Lambswool cleaning brush	£48	£57.60
Adjustable feet (height 100 to 150mm)			
X10920	white	£28	£33.60
X10920 + colour code	colour	£36	£43.20
Additional Towel Rails			
8100966018	Charleston towel bar 368mm	£123	£147.60
8100966028	Charleston towel bar 918mm	£136	£163.20

*1/2" air vent
Width excludes air vent
F = flow
R = return
H = height
W = width
Tube: Vertical \varnothing 25mm
All dimensions in mm

EasyFix brackets: see page 78. Welded-on-feet: see page 79.



For full compliant technical specifications, refer to page 143

zehnder *charleston*



The Zehnder Charleston multi-column is available made-to-measure as vertical and horizontal models including angled and curved.



Made-to-measure



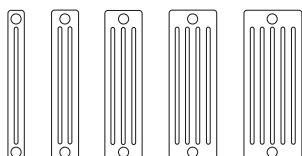
EasyFix bracket for radiators 300mm to 1000mm in height



EasyFix bracket for radiators below 260mm and above 1100mm in height



Valves: see page 124



EN 442 CE

Nominal Height mm	Model code	Output 50ΔT Watts/BTU	RRP white (ex VAT)	RRP colour (ex VAT)	Model code	Output 50ΔT Watts/BTU	RRP white (ex VAT)	RRP colour (ex VAT)	Model code	Output 50ΔT Watts/BTU	RRP white (ex VAT)	RRP colour (ex VAT)
Zehnder Charleston - 2 column					3 column				4 column			
200	2019	15/51	£14.40	£18.00	3019	20/68	£17.00	£21.25	4019	29/99	£18.50	£23.13
300	2030	24/81	£14.50	£18.13	3030	32/109	£17.10	£21.38	4030	42/143	£18.60	£23.25
400	2040	31/106	£14.60	£18.25	3040	42/143	£17.30	£21.63	4040	55/188	£18.80	£23.50
450	2045	35/119	£14.70	£18.38	3045	47/160	£17.40	£21.75	4045	61/208	£18.90	£23.63
500	2050	39/133	£14.75	£18.44	3050	52/177	£17.50	£21.88	4050	68/232	£19.00	£23.75
550	2055	42/143	£15.00	£18.75	3055	56/191	£18.25	£22.81	4055	74/252	£19.25	£24.06
600	2060	45/154	£15.25	£19.06	3060	61/208	£18.50	£23.13	4060	80/273	£19.50	£24.38
750	2075	55/188	£17.75	£22.19	3075	74/252	£20.75	£25.94	4075	98/334	£23.50	£29.38
900	2090	64/218	£20.50	£25.63	3090	87/297	£23.50	£29.38	4090	114/389	£27.50	£34.38
1000	2100	70/239	£22.50	£28.13	3100	95/324	£25.50	£31.88	4100	125/427	£31.00	£38.75
1200	2120	83/283	£28.00	£35.00	3120	115/392	£34.00	£42.50	4120	147/502	£43.00	£53.75
1500	2150	104/355	£33.00	£41.25	3150	140/478	£40.00	£50.00	4150	180/614	£55.00	£68.75
1800	2180	124/423	£36.50	£45.63	3180	166/566	£50.00	£62.50	4180	213/727	£59.00	£73.75
2000	2200	138/471	£39.00	£48.75	3200	183/624	£56.00	£70.00	4200	234/798	£64.00	£80.00

Nominal Height mm	Model code	Output 50ΔT Watts/BTU	RRP white (ex VAT)	RRP colour (ex VAT)
Zehnder Charleston - 5 column				
200	5019	35/119	£24.00	£30.00
300	5030	52/177	£24.50	£30.63
400	5040	68/232	£25.50	£31.88
450	5045	76/259	£26.50	£33.13
500	5050	84/287	£27.00	£33.75
550	5055	91/310	£28.00	£35.00
600	5060	99/338	£29.00	£36.25
750	5075	120/409	£30.00	£37.50
900	5090	141/481	£34.00	£42.50
1000	5100	154/525	£39.00	£48.75
1200	5120	179/611	£51.00	£63.75
1500	5150	219/747	£68.00	£85.00

Model code	Output 50ΔT Watts/BTU	RRP white (ex VAT)	RRP colour (ex VAT)
6 column			
6019	42/142	£30.00	£37.50
6030	61/209	£30.50	£38.13
6040	81/275	£32.00	£40.00
6045	90/306	£32.75	£40.94
6050	99/338	£33.50	£41.88
6055	108/368	£34.50	£43.13
6060	117/399	£35.50	£44.38
6075	143/488	£37.00	£46.25
6090	167/569	£43.00	£53.75
6100	183/624	£49.00	£61.25
6120	210/716	£64.00	£80.00
6150	256/873	£80.00	£100.00




All data and prices per 46mm section

Dimensions:

Nominal overall radiator length = (No. of sections x 46mm) + 30mm (Manufacturing tolerance of ± 0.6 mm per section).

Selection example:

Output required: approximately 1000 watts
 Dimensions required:
 approximately 600mm H x 900mm L
 Formula: (No. of sections x 46mm) + 30mm
 Calculation of sections:
 900mm - 30mm divided by 46 = 19 sections
 1000w divided by 19 section =
 approximately 52 watts/section required
 Radiator selection: 3050 = 52 watts/section
 52w x 19 section = 988 watts (50Δt)
 Price calculation:
 19 sections x £17.50 = £332.50 plus vat

Foot support options (wall brackets included as standard)				
Model	No of Feet	RRP white (ex VAT)	RRP colour (ex VAT)	
Welded-on fixed (150mm) or adjustable (120-170mm). Price per radiator				
	1 - 20 sections	2	£58	£72.50
	21 - 40 sections	3	£86	£107.50
	41 - 60 sections	4	£114	£142.50
Welded-on traditional foot (100mm). Price per radiator				
	1 - 23 sections	2 pairs	£80	£100.00
	24 - 41 sections	3 pairs	£119	£148.75
	42 - 58 sections	4 pairs	£160	£200.00
Adjustable foot (100-150mm). Price per foot				
	X10920 white	1	£28	£35.00
	X10920 colour	1	£36	£45.00
Must always be used with wall brackets				
EasyFix brackets available to order on application				

Please note: We only supply complete radiators.

Additional sections cannot be joined to our stock range of radiators.

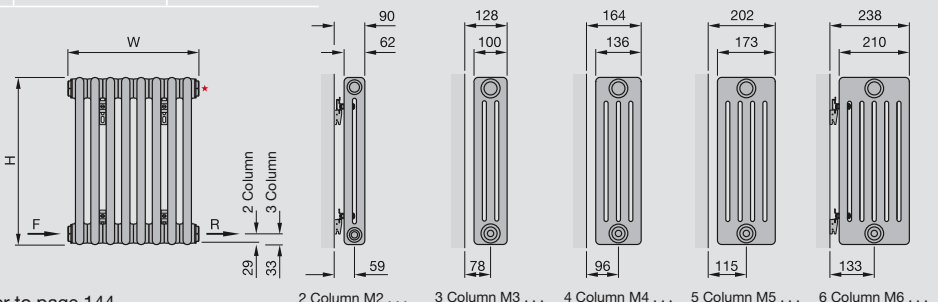
Prices for curved or angled radiators on application.

The number of sections/length is virtually unlimited. Practicality regarding weights, handling and accessibility should be taken into consideration.

Large radiators may be supplied in modules to be assembled on site.

Accessories			
Additional Towel Rails		RRP (ex VAT)	RRP (inc VAT)
	8100966018 Charleston towel bar 368mm	£123	£147.60
	8100966028 Charleston towel bar 918mm	£136	£163.20

*1/2" air vent
 Width excludes air vent
 F = flow
 R = return
 H = height
 W = width
 Tube: Vertical Ø 25mm
 All dimensions in mm



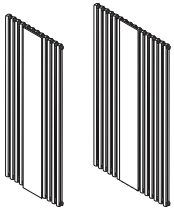
For full CE compliant technical specifications, refer to page 144

Colour finish: Standard colours from the Zehnder colour chart: white + 25%. Delivery: White and Colour finish: 15-20 working days.

zehnder charleston *mirror*



Warmth and comfort with a full-length mirror to enhance its elegance.



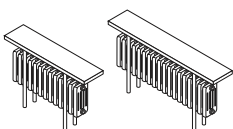
zehnder charleston *relax*



Practical and clever for modern life styles, especially ideal for hallways and conservatories.



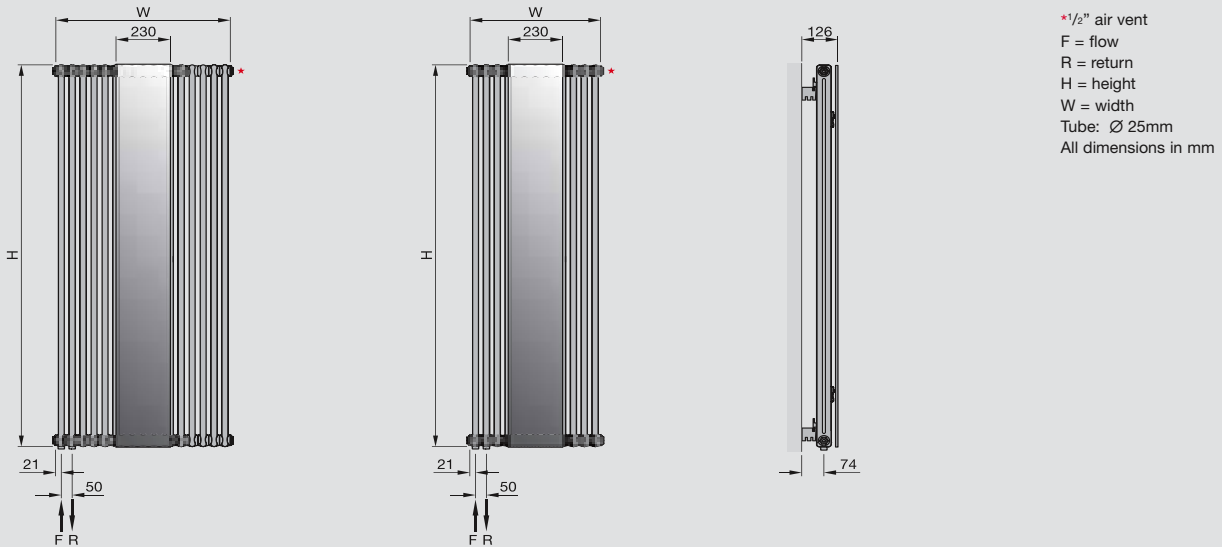
Valves: see page 124



Central Heating Model STOCK listed in black	Height mm	Width mm	Finish	Depth mm	Output $\Delta T=60K$ Watts/btu	Output $\Delta T=50K$ Watts/btu	Centre from wall	Overall projection	Weight kg	RRP (ex VAT)	RRP (inc 20% VAT)
					All outputs certified to EN 442						
Zehnder Charleston Mirror											
MCM2180-12	1792	552	white	83	1778/6065	1401/4780	74	126	33.6	£597	£716.40
MCM2180-16	1792	736	white	83	2389/8151	1792/6114	74	126	44.8	£699	£838.80

Accessories			
Model		RRP (ex VAT)	RRP (inc 20% VAT)
8100601020	Lambswool cleaning brush	£48	£57.60
Adjustable feet (height 100 to 150mm)			
X10920	white	£28	£33.60
X10920 + colour code	colour	£36	£43.20

Colour finish: Standard colours from the Zehnder colour chart: white + 25%. Colour finish and non-stock products delivery: 20-30 working days.

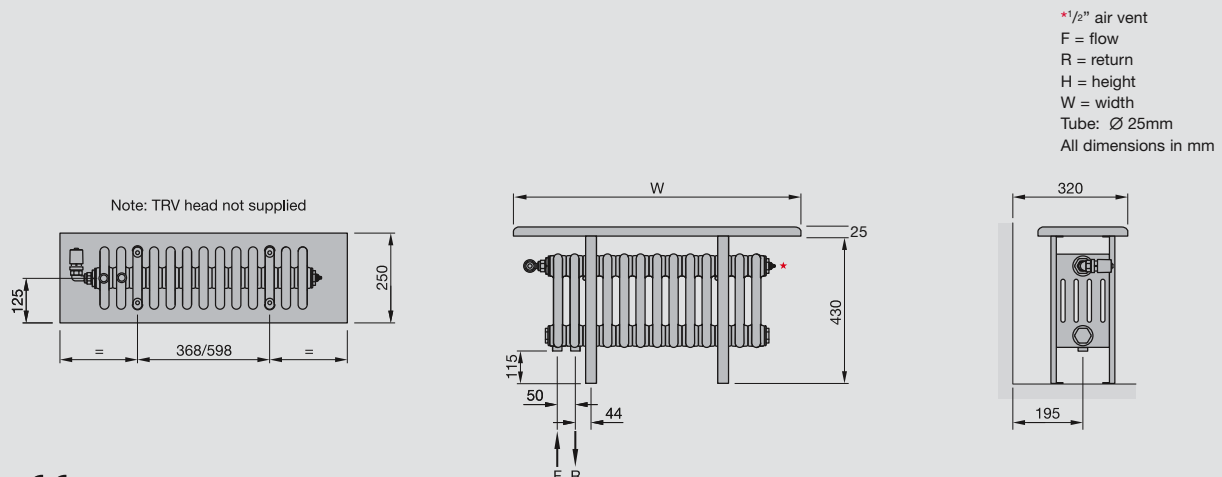


Central Heating Model STOCK listed in black	Height mm	Width mm	Finish	Depth mm	Output $\Delta T=60K$ Watts/btu	Output $\Delta T=50K$ Watts/btu	Centre from wall	Overall projection	Weight kg	RRP (ex VAT)	RRP (inc 20% VAT)
					All outputs certified to EN 442						
Zehnder Charleston Relax											
MCR5026-13	455	800	white	250	682/2327	543/1852	195	320	18.6	£612	£734.40
MCR5026-18	455	1000	white	250	938/3200	747/2549	195	320	25.1	£679	£814.80

Bench seat: multiplex wood with beech finish

Accessories			
Model		RRP (ex VAT)	RRP (inc 20% VAT)
8200 819058	M30 x 1.5 TRV Head (Chrome) note: TRV Head not supplied with the radiator	£34	£40.80
8100 601020	Lambswool cleaning brush	£48	£57.60

Colour finish: Standard colours from the Zehnder colour chart: white + 25%. Colour finish and non-stock products delivery: 20-30 working days.



For full CE compliant technical specifications, refer to page 145

zehnder metropolitan



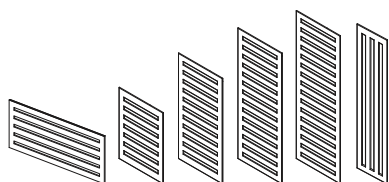
The new Zehnder Metropolitan has clean lines and a contemporary, minimalist appearance. Designed in Italy by the award-winning King and Miranda, the metropolitan can be in a landscape or portrait format, with an optional chrome bar as a useful and attractive accessory.



MEH accessories:
see page 83



Valves: see page 124



Central Heating Model STOCK listed in black	Height mm	Width mm	No. of sections	Finish	Output $\Delta T=60K$ Watts/btu	Output $\Delta T=50K$ Watts/btu	Weight kg	RRP (ex VAT)	RRP (inc 20% VAT)
					All outputs certified to EN 442				
Zehnder Metropolitan vertical tubes									
MEV-180-030	1800	280	3	white	588/2006	490/1672	7.4	£353	£423.60
MEV-180-040	1800	385	4	white	771/2631	643/2194	8.4	£408	£489.60
MEV-180-050	1800	490	5	white	949/3238	791/2699	9.7	£468	£561.60
MEV-200-040	2000	385	4	white	857/2924	714/2436	9.1	£448	£537.60
MEV-200-050	2000	490	5	white	1053/3593	878/2996	10.4	£518	£621.60
MEV-200-060	2000	595	6	white	1244/4245	1037/3538	12.1	£590	£708.00

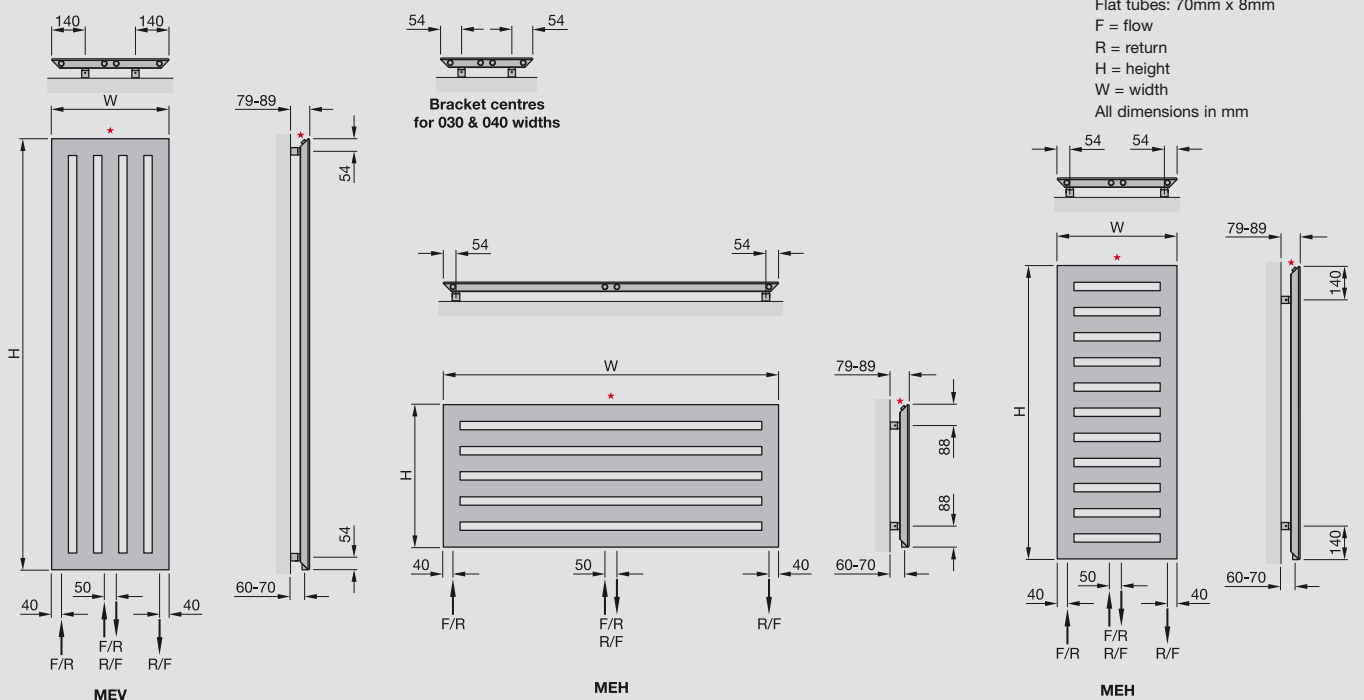
Central Heating Model STOCK listed in black	Height mm	Width mm	No. of sections	Finish	Output $\Delta T=60K$ Watts/btu	Output $\Delta T=50K$ Watts/btu	Weight kg	RRP (ex VAT)	RRP (inc 20% VAT)
					All outputs certified to EN 442				
Zehnder Metropolitan horizontal tubes									
MEH-030-140	280	1400	3	white	473/1614	376/1283	8.31	£357	£428.40
MEH-040-140	385	1400	4	white	602/2054	474/1617	10.3	£408	£489.60
MEH-040-160	385	1600	4	white	688/2347	542/1849	11.7	£422	£506.40
MEH-050-140	490	1400	5	white	743/2535	585/1996	12.8	£445	£534.00
MEH-050-160	490	1600	5	white	849/2897	669/2283	14.6	£460	£552.00
MEH-050-180	490	1800	5	white	958/3269	753/2569	16.3	£480	£576.00
MEH-060-090	595	900	6	white	567/1935	447/1525	10.1	£445	£534.00
MEH-060-140	595	1400	6	white	881/3006	695/2371	15.3	£489	£586.80
MEH-060-160	595	1600	6	white	1006/3432	794/2709	17.4	£509	£610.80
MEH-060-180	595	1800	6	white	1135/3873	894/3050	19.5	£528	£633.60
MEH-060-200	595	2000	6	white	1259/4296	993/3388	21.6	£550	£660.00
MEH-080-050	805	500	8	white	490/1672	387/1320	8.2	£402	£482.40
MEH-080-060	805	600	8	white	569/1941	449/1532	9.7	£415	£498.00
MEH-120-040	1225	400	12	white	594/2027	469/1600	10.3	£439	£526.80
MEH-120-050	1225	500	12	white	711/2426	563/1921	12.4	£447	£536.40
MEH-120-060	1225	600	12	white	826/2818	653/2228	14.5	£464	£556.80
MEH-150-040	1540	400	15	white	728/2484	582/1986	12	£518	£621.60
MEH-150-050	1540	500	15	white	914/3119	730/2491	14.4	£527	£632.40
MEH-150-060	1540	600	15	white	1092/3726	871/2972	16.8	£545	£654.00
MEH-180-040	1750	400	17	white	839/2863	663/2262	14.4	£579	£694.80
MEH-180-050	1750	500	18	white	1006/3432	795/2713	17.4	£589	£706.80

Colour finish: Standard colours from the Zehnder colour chart: white + 25%. Colour finish and non-stock products delivery: 20-30 working days.

MEH accessories

Model		RRP (ex VAT)	RRP (inc 20% VAT)
468038	Towel-bar for 400 mm width radiator, chrome plated	£87	£104.40
468048	Towel-bar for 500 mm width radiator, chrome plated	£89	£106.80
468058	Towel-bar 600 mm width radiator, two fixing points, chrome plated	£92	£110.40
480438	Set of hooks (2 pcs.), to clip on, chrome plated	£39	£46.80

*1/2" air vent
 Frame: 70mm x 39mm triangular tubes
 Flat tubes: 70mm x 8mm
 F = flow
 R = return
 H = height
 W = width
 All dimensions in mm



For full compliant technical specifications, refer to page 145

zehnder roda
(formerly *fassane*)



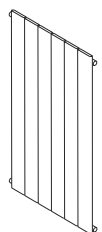
A simple, effective and efficient design radiator, the Zehnder Roda radiator is perfect for all living areas, and is also available made-to-measure.



Accessories: see page 123



Valves: see page 124



Central Heating Model STOCK listed in black	Height mm	Width mm	Overall projection	Finnish	Number of tubes	Output $\Delta T=60K$ Watts/btu	Output $\Delta T=50K$ Watts/btu	Weight kg	RRP (ex VAT)	RRP (inc 20% VAT)
						All outputs certified to EN 442				
Zehnder Roda (formerly Fassane) Vertical Single panel										
ROV-180-029	1800	296	70	white	4	712/2428	568/1940	12.0	£248	£297.60
ROV-180-037	1800	370	70	white	5	890/3035	710/2425	15.0	£310	£372.00
ROV-180-044	1800	444	70	white	6	1068/3642	852/2910	18.0	£372	£446.40
ROV-180-051	1800	518	70	white	7	1246/4249	994/3395	21.0	£434	£520.80
ROV-180-059	1800	592	70	white	8	1424/4856	1136/3880	24.0	£496	£595.20
ROV-180-066	1800	666	70	white	9	1602/5463	1278/4365	27.0	£558	£669.60

Zehnder Roda (formerly Fassane) Vertical Double panel										
ROVD-180-029	1800	296	93	white	4	1052/3584	824/2812	22.4	£456	£547.20
ROVD-180-037	1800	370	93	white	5	1315/4480	1030/3515	28.0	£570	£684.00
ROVD-180-044	1800	444	93	white	6	1578/5376	1236/4218	33.6	£684	£820.80
ROVD-180-051	1800	518	93	white	7	1841/6272	1442/4921	39.2	£798	£957.60
ROVD-180-059	1800	592	93	white	8	2104/7168	1648/5624	44.8	£912	£1,094.40
ROVD-180-066	1800	666	93	white	9	2376/8064	1854/6327	50.4	£1,026	£1,231.20

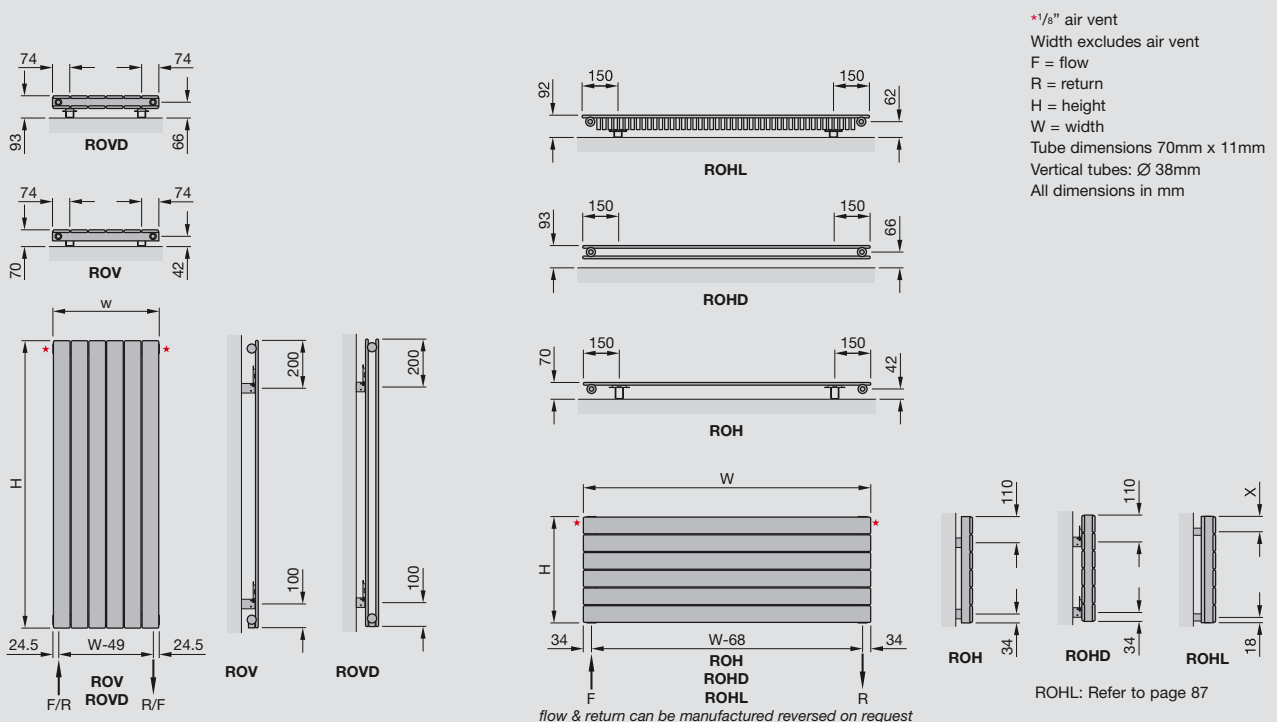
ROV & ROVD can be installed horizontally with TBSE connections either side.

Central Heating Model STOCK listed in black	Height mm	Width mm	Overall projection	Finnish	Number of tubes	Output $\Delta T=60K$ Watts/btu	Output $\Delta T=50K$ Watts/btu	Weight kg	RRP (ex VAT)	RRP (inc 20% VAT)
						All outputs certified to EN 442				
Zehnder Roda (formerly Fassane) Horizontal Single panel										
ROH-044-140	444	1400	70	white	6	894/3050	708/2416	16.4	£392	£470.40
ROH-051-100	518	1000	70	white	7	739/2522	586/1999	13.4	£307	£368.40
ROH-051-120	518	1200	70	white	7	887/3026	703/2399	16.1	£368	£441.60
ROH-059-100	592	1000	70	white	8	833/2841	665/2269	14.1	£330	£396.00
ROH-059-120	592	1200	70	white	8	1007/3436	798/2723	18.1	£396	£475.20
ROH-059-140	592	1400	70	white	8	1166/3977	931/3177	19.7	£462	£554.40

Zehnder Roda (formerly Fassane) Horizontal Single panel with single convector fin										
ROHL-059-060	592	600	92	white	8	796/2717	636/2170	13.2	£283	£339.60
ROHL-059-080	592	800	92	white	8	1062/3622	848/2894	17.6	£377	£452.40
ROHL-059-100	592	1000	92	white	8	1327/4528	1060/3617	22.0	£471	£565.20
ROHL-059-120	592	1200	92	white	8	1592/5434	1272/4340	26.4	£565	£678.00

Zehnder Roda (formerly Fassane) Horizontal Double panel										
ROHD-059-060	592	600	93	white	8	807/2753	641/2187	16.5	£425	£510.00
ROHD-059-080	592	800	93	white	8	1076/3671	855/2916	22.0	£525	£630.00
ROHD-059-100	592	1000	93	white	8	1346/4588	1069/3645	27.4	£623	£747.60
ROHD-059-120	592	1200	93	white	8	1615/5506	1283/4374	32.9	£698	£837.60

Colour finish: Standard colours from the Zehnder colour chart: white + 25%. Colour finish delivery 20-30 working days.



For full CE compliant technical specifications, refer to page 146

zehnder *roda* (formerly *fassane*)



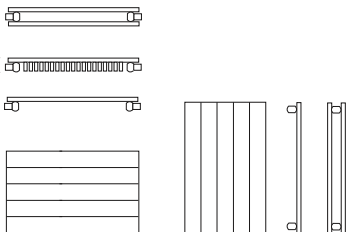
Made-to-measure Zehnder Roda radiators are easy and quick to order. They are simple, effective and efficient decorative radiators, available as horizontal or vertical, and are perfect for all living areas.



Made-to-measure



Valves: see page 124



EN **442** CE

Zehnder Roda (ROV) (formerly Fassane) vertical, single panel white

Width		Height (mm)								
(mm)	No of tubes	600	800	1000	1200	1400	1600	1800	2000	2200
444	6	£258	£288	£306	£318	£336	£348	£372	£420	£480
518	7	£301	£336	£357	£371	£392	£406	£434	£490	£560
592	8	£344	£384	£408	£424	£448	£464	£496	£560	£640
666	9	£387	£432	£459	£477	£504	£522	£558	£630	£720
740	10	£430	£480	£510	£530	£560	£580	£620	£700	£800
814	11	£473	£528	£561	£583	£616	£638	£682	£770	£880
888	12	£516	£576	£612	£636	£672	£696	£744	£840	£960
Technical data per tube	Weight (kg)	1.3	1.6	1.9	2.1	2.4	2.7	3.0	3.3	3.6
	Output 50ΔT Watts/BTU	52/177	68/232	83/283	98/334	113/386	127/433	142/485	155/529	169/577
	Output 60ΔT Watts/BTU	66/226	87/295	106/360	125/426	144/491	159/543	178/607	194/662	212/722

Output calculation example 60Δt (watts): 1800H x 592W: 178 x 8 = 1424w

Zehnder Roda (ROVD) (formerly Fassane) vertical, double panel white

Width		Height (mm)								
(mm)	No of tubes	600	800	1000	1200	1400	1600	1800	2000	2200
444	6	£468	£516	£558	£570	£600	£624	£684	£780	£870
518	7	£546	£602	£651	£665	£700	£728	£798	£910	£1,015
592	8	£624	£688	£744	£760	£800	£832	£912	£1,040	£1,160
666	9	£702	£774	£837	£855	£900	£936	£1,026	£1,170	£1,305
740	10	£780	£860	£930	£950	£1,000	£1,040	£1,140	£1,300	£1,450
814	11	£858	£946	£1,023	£1,045	£1,100	£1,144	£1,254	£1,430	£1,595
888	12	£936	£1,032	£1,116	£1,140	£1,200	£1,248	£1,368	£1,560	£1,740
Technical data per tube	Weight (kg)	2.1	2.7	3.3	3.9	4.4	5.0	5.6	6.2	6.7
	Output 50ΔT (Watts/BTU)	77/263	100/341	122/416	144/491	165/563	186/635	206/703	225/768	244/833
	Output 60ΔT (Watts/BTU)	98/335	127/435	155/530	184/626	210/717	233/795	263/896	287/978	311/1061

Output calculation example 60Δt (watts): 1800H x 592W: 263 x 8 = 2104w

Zehnder Roda (ROH) (formerly Fassane) horizontal, single panel white

Height		Technical data per metre			Width (mm)								
(mm)	No of tubes	Weight (kg)	Output 50ΔT Watts/BTU	Output 60ΔT Watts/BTU	600	800	1000	1200	1400	1600	1800	2000	2200
296	4	7.2	344/1174	431/1470	£136	£182	£227	£272	£318	£363	£409	£454	£499
370	5	9.0	425/1450	532/1816	£161	£214	£268	£322	£375	£429	£482	£536	£590
444	6	10.7	506/1726	634/2162	£168	£224	£280	£336	£392	£448	£504	£560	£616
518	7	12.4	586/1999	734/2503	£184	£246	£307	£368	£430	£491	£553	£614	£675
592	8	14.1	665/2269	833/2841	£198	£264	£330	£396	£462	£528	£594	£660	£726

Output calculation example 60Δt (watts): 518H x 1200L: 734 x 1.2 = 881w

Zehnder Roda (ROHL) (formerly Fassane) horizontal, single panel, single fin white

Height		Technical data per metre			Width (mm)								
(mm)	No of tubes	Weight (kg)	Output 50ΔT Watts/BTU	Output 60ΔT Watts/BTU	600	800	1000	1200	1400	1600	1800	2000	2200
148	2	7.0	350/1194	438/1495	£185	£247	£309	£371	£433	£494	£556	£618	£680
222	3	10.7	511/1744	640/2183	£201	£268	£335	£402	£469	£536	£603	£670	£737
296	4	14.3	637/2173	798/2721	£216	£288	£360	£432	£504	£576	£648	£720	£792
370	5	16.1	719/2453	900/3072	£238	£318	£397	£476	£556	£635	£715	£794	£873
444	6	18.7	845/2883	1058/3610	£251	£335	£419	£503	£587	£670	£754	£838	£922
518	7	19.5	927/3163	1161/3960	£265	£353	£441	£529	£617	£706	£794	£882	£970
592	8	23.6	1060/3617	1327/4528	£283	£377	£471	£565	£659	£754	£848	£942	£1,036

Output calculation example 60Δt (watts): 518H x 1200L: 1161 x 1.2 = 1393w

Details on intermediate sizes are available on request (1-20 tubes)

Colour finish: Standard colours from the Zehnder colour chart: white + 25%. Colour finish delivery 20-30 working days.

For full **CE** compliant technical specifications, refer to page 146 **All prices exclude VAT**

zehnder *roda mirror*
(formerly *fassane mirror*)



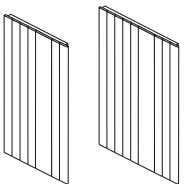
Warmth and comfort with a full length mirror to enhance its elegance, the Zehnder Roda Mirror is an asset to any home.



Accessories: see
page 123



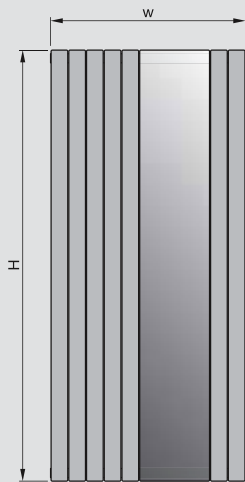
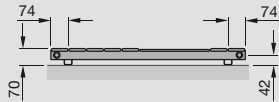
Valves: see page 124



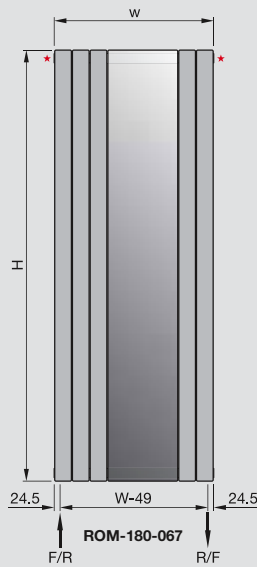
EN **442** CE

Central Heating Model STOCK listed in black	Height mm	Width mm	Finish	Number of elements	Output $\Delta T=60K$ Watts/btu	Output $\Delta T=50K$ Watts/btu	Weight kg	RRP (ex VAT)	RRP (inc 20% VAT)
					All outputs certified to EN 442				
Zehnder Roda Mirror (formerly Fassane Mirror)									
ROM-180-067	1800	666	white	3+2	865/2951	680/2320	24.6	£673	£807.60
ROM-180-081	1800	814	white	5+2	1211/4132	952/3248	31.0	£772	£926.40
ROM-180-067	1800	666	colour	3+2	865/2951	680/2320	24.6	£841	£1,009.20
ROM-180-081	1800	814	colour	5+2	1211/4132	952/3248	31.0	£965	£1,158.00

Colour finish: Standard colours from the Zehnder colour chart: white + 25%. Colour finish and non-stock products: Delivery 20-30 working days.



ROM-180-081



ROM-180-067



*1/8" air vent
 Width excludes air vent
 F = flow
 R = return
 H = height
 W = width
 Tube: Dimensions 70mm x 11mm
 Tube: Horizontal tubes: \varnothing 38mm
 All dimensions in mm

zehnder *roda status* (formerly *regate status*)



A simple, effective and efficient design radiator, the Zehnder Roda Status radiator is perfect for all living areas, and is also available made-to-measure.



Roda Status white electric



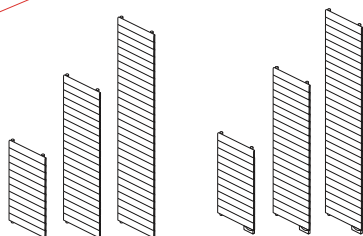
Memoprog electric control



Accessories: see page 123



Valves: see page 124



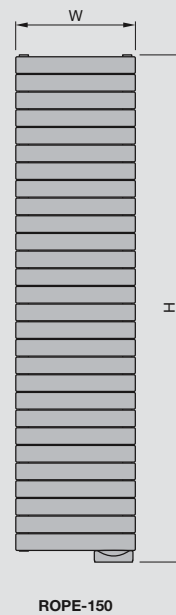
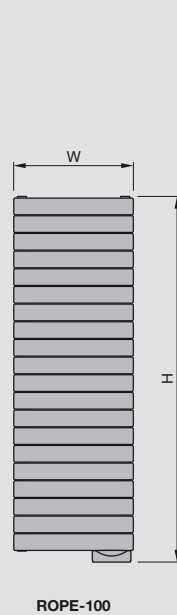
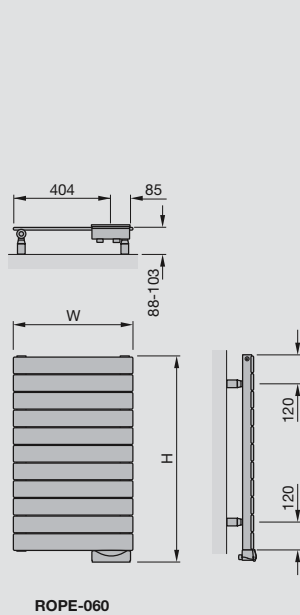
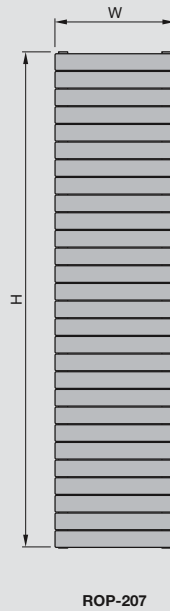
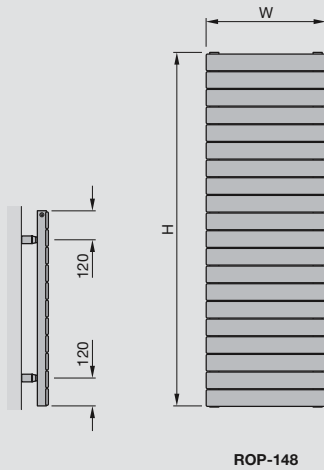
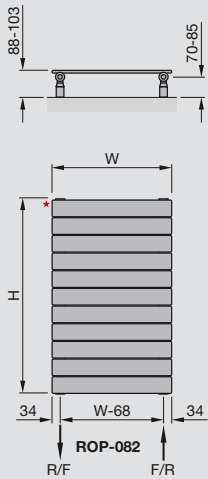
Central Heating Model STOCK listed in black	Height mm	Width mm	Finish	Output $\Delta T=60K$ Watts/btu	Output $\Delta T=50K$ Watts/btu	Electric Immersion Rating Watts	Weight kg	RRP (ex VAT)	RRP (inc 20% VAT)
				All outputs certified to EN 442					
Zehnder Roda Status (formerly Regate Status) Horizontal Single panel									
ROP-080-050	815	500	white	598/2040	433/1477	300	11.3	£278	£333.60
ROP-150-050	1481	500	white	983/3354	766/2614	500	20.1	£378	£453.60
ROP-200-050	2072	500	white	1510/5152	1027/3504	600	28.1	£517	£620.40

Dual Energy: Self Fit - Additional cost to Central Heating model prices see page 130 for details

Electric Heating Model	Height mm	Width mm	Finish	Electric Immersion Rating (Watts) with factory fitted Memoprogram immersion Class II, IPX4, Zone 1 bath, Zone 2 shower		Weight kg	RRP (ex VAT)	RRP (inc 20% VAT)
Zehnder Roda Status (formerly Regate Status) Electric								
ROPE-080-050/TF	862	500	white	500		15.1		
ROPE-150-050/TF	1528	500	white	750		22.3	£472	£566.40
ROPE-200-050/TF	2120	500	white	1000		27.5	£535	£642.00
							£721	£865.20

Colour finish: Standard colours from the Zehnder colour chart: white + 25%. Colour finish and non-stock products: 20-30 working days.

*1/8" air vent
 Width excludes air vent
 F = flow
 R = return
 H = height
 W = width
 Tube: Dimensions: 70mm x 11mm
 Tube: Vertical \varnothing 38mm
 All dimensions in mm



For full compliant technical specifications, refer to page 147

zehnder ax
(formerly *altai*)



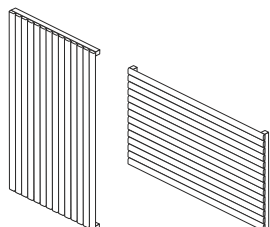
Also available made-to measure, the unique Zehnder Ax with its slim-line single or double tubes adds comfort and style to your home.



Premier double hook: see page 123



Valves: see page 124



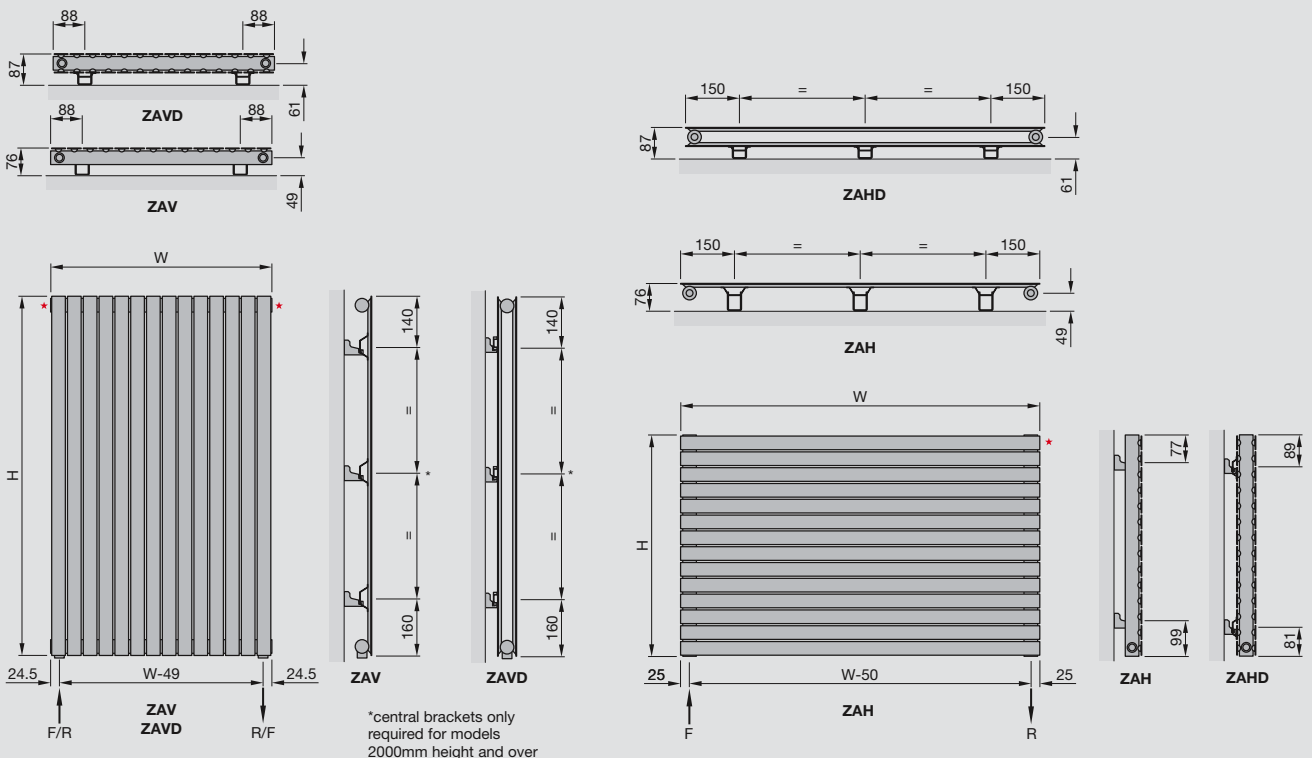
EURO NORM
EN 442 CE

Central Heating Model STOCK listed in black	Height mm	Width mm	Number of tubes	Finish	Output $\Delta T=60K$ Watts/btu	Output $\Delta T=50K$ Watts/btu	Pipe centres	Weight kg	RRP (ex VAT)	RRP (inc 20% VAT)
					All outputs certified to EN 442					
Zehnder Ax (formerly Altai) Vertical Single Panel										
ZAV-180-030	1800	308	7	white	782/2668	616/2102	259	11.4	£273	£327.60
ZAV-180-039	1800	396	9	white	1008/3438	792/2700	347	10.8	£351	£421.20
ZAV-180-048	1800	484	11	white	1230/4197	968/3303	435	17.7	£429	£514.80
ZAV-180-061	1800	616	14	white	1565/5340	1232/4204	567	22.5	£546	£655.20

Central Heating Model STOCK listed in black	Height mm	Width mm	Number of tubes	Finish	Output $\Delta T=60K$ Watts/btu	Output $\Delta T=50K$ Watts/btu	Pipe centres	Weight kg	RRP (ex VAT)	RRP (inc 20% VAT)
					All outputs certified to EN 442					
Zehnder Ax (formerly Altai) Horizontal Double Panel										
ZAHD-061-080	616	800	14	white	1122/3828	884/3016	750	20.2	£454	£544.80
ZAHD-061-100	616	1000	14	white	1403/4787	1105/3770	950	24.8	£568	£681.60
ZAHD-061-120	616	1200	14	white	1683/5742	1326/4524	1150	29.4	£682	£818.40
ZAHD-061-140	616	1400	14	white	1961/6692	1547/5278	1350	35.4	£795	£954.00

Colour finish: Standard colours from the Zehnder colour chart: white + 25%. Colour finish and non-stock products delivery: 20-30 working days.

*1/8" air vent
 Width excludes air vent
 F = flow
 R = return
 H = height
 W = width
 Tube: Horizontal $\varnothing 38 \times 10.5$
 Tube: Vertical $\varnothing 38 \text{mm}$
 All dimensions in mm



For full compliant technical specifications, refer to page 147

zehnder ax (formerly *altai*)



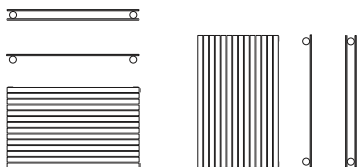
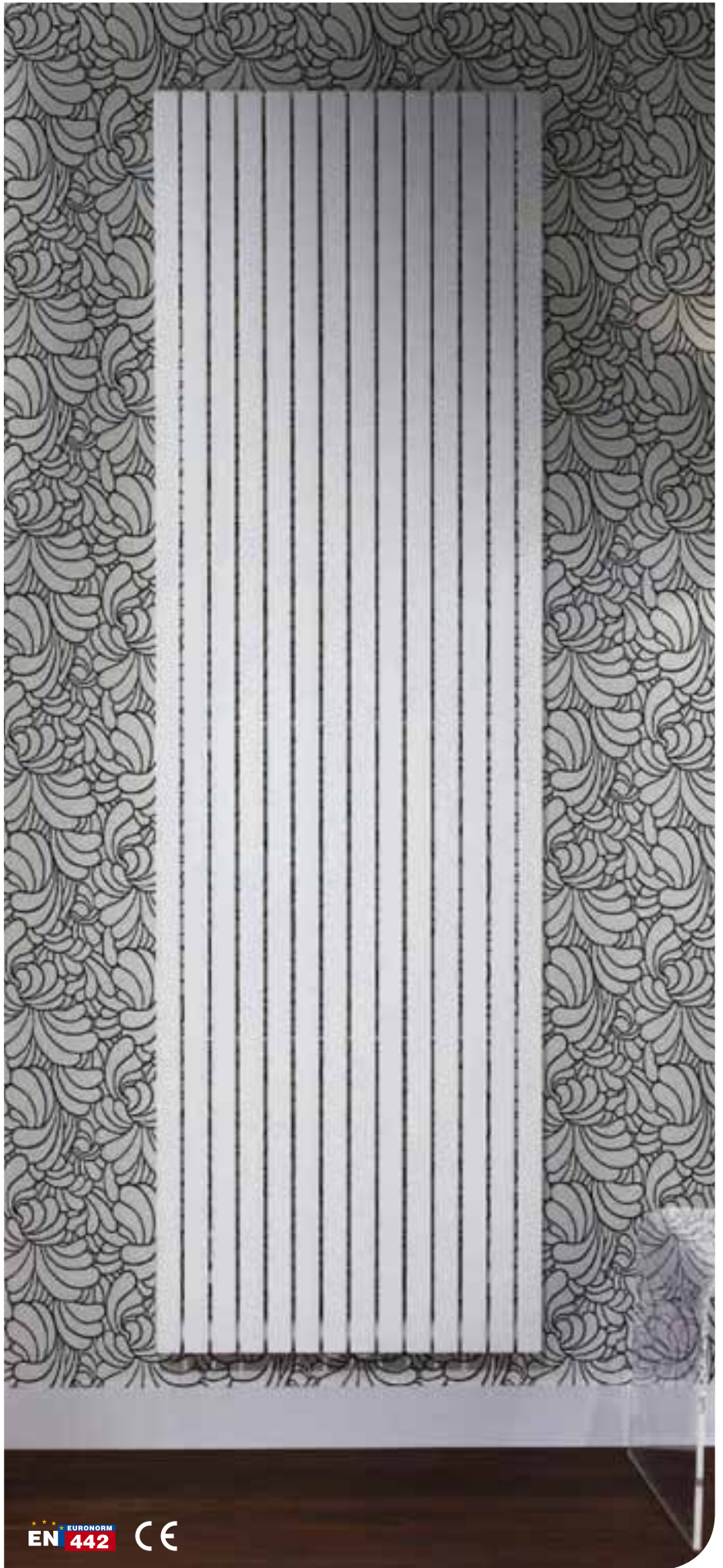
Purchased from stock or made-to-measure, the Zehnder Ax, with its unique slim-line single or double tubes, can meet any central heating requirement.



Made-to-measure



Valves: see page 124



EN 442 CE

Zehnder Ax (ZAV) (formerly Altai) vertical single panel

Width		Height (mm)								
(mm)	No of tubes	600	800	1000	1200	1400	1600	1800	2000	2200
264	6	£162	£174	£186	£198	£210	£222	£234	£252	£264
352	8	£216	£232	£248	£264	£280	£296	£312	£336	£352
440	10	£270	£290	£310	£330	£350	£370	£390	£420	£440
528	12	£324	£348	£372	£396	£420	£444	£468	£504	£528
616	14	£378	£406	£434	£462	£490	£518	£546	£588	£616
704	16	£432	£464	£496	£528	£560	£592	£624	£672	£704
792	18	£486	£522	£558	£594	£630	£666	£702	£756	£792
880	20	£540	£580	£620	£660	£700	£740	£780	£840	£880
968	22	£594	£638	£682	£726	£770	£814	£858	£924	£968
Technical data per tube	Weight (kg)	0.6	0.8	1.0	1.1	1.3	1.5	1.2	1.8	2.0
	Output 50ΔT Watts/BTU	33/113	42/144	51/175	60/206	70/237	79/269	88/300	98/333	107/365
	Output 60ΔT Watts/BTU	42/143	53/181	65/222	76/259	88/300	100/341	112/382	124/423	136/464

Output calculation example 60Δt (watts): 1800H x 528L: 12 x 112 = 1344w

Zehnder Ax (ZAVD) (formerly Altai) vertical double panel

Width		Height (mm)								
(mm)	No of tubes	600	800	1000	1200	1400	1600	1800	2000	2200
264	6	£270	£288	£318	£348	£372	£402	£408	£444	£468
352	8	£360	£384	£424	£464	£496	£536	£544	£592	£624
440	10	£450	£480	£530	£580	£620	£670	£680	£740	£780
528	12	£540	£576	£636	£696	£744	£804	£816	£888	£936
616	14	£630	£672	£742	£812	£868	£938	£952	£1,036	£1,092
704	16	£720	£768	£848	£928	£992	£1,072	£1,088	£1,184	£1,248
792	18	£810	£864	£954	£1,044	£1,116	£1,206	£1,224	£1,332	£1,404
880	20	£900	£960	£1,060	£1,160	£1,240	£1,340	£1,360	£1,480	£1,560
968	22	£990	£1,056	£1,166	£1,276	£1,364	£1,474	£1,496	£1,628	£1,716
Technical data per tube	Weight (kg)	1.1	1.5	1.8	2.1	2.4	2.8	3.1	3.4	3.8
	Output 50ΔT Watts/BTU	51/174	66/223	80/272	94/320	108/368	122/416	136/464	150/512	164/560
	Output 60ΔT Watts/BTU	65/222	84/287	102/348	119/406	137/467	155/529	173/590	190/648	208/710

Output calculation example 60Δt (watts): 1800H x 528L: 12 x 173 = 2076w

Zehnder Ax (ZAH) (formerly Altai) horizontal single panel


Height		Technical data per metre			Width (mm)								
(mm)	No of tubes	Weight (kg)	Output 50ΔT Watts/BTU	Output 60ΔT Watts/BTU	600	800	1000	1200	1400	1600	1800	2000	2200
264	6	6.1	308/1051	390/1331	£169	£225	£281	£337	£393	£450	£506	£562	£618
352	8	8.0	414/1413	525/1791	£181	£242	£302	£362	£423	£483	£544	£604	£664
440	10	10.0	520/1774	659/2249	£201	£268	£335	£402	£469	£536	£603	£670	£737
528	12	11.9	625/2133	792/2702	£224	£299	£374	£449	£524	£598	£673	£748	£823
616	14	13.8	730/2491	925/3156	£236	£314	£393	£472	£550	£629	£707	£786	£865


Output calculation example 6Δdt (watts): 616H x 1400L: 1.4 x 925 = 1295w

Zehnder Ax (ZAHd) (formerly Altai) horizontal double panel

Height		Technical data per metre			Width (mm)								
(mm)	No of tubes	Weight (kg)	Output 50ΔT Watts/BTU	Output 60ΔT Watts/BTU	600	800	1000	1200	1400	1600	1800	2000	2200
264	6	11.0	529/1805	670/2286	£209	£279	£349	£419	£489	£558	£628	£698	£768
352	8	14.6	680/2320	862/2941	£234	£312	£390	£468	£546	£624	£702	£780	£858
440	10	18.1	825/2815	1046/3569	£280	£374	£467	£560	£654	£747	£841	£934	£1,027
528	12	21.7	966/3296	1224/4178	£317	£422	£528	£634	£739	£845	£950	£1,056	£1,162
616	14	25.3	1105/3770	1401/4780	£341	£454	£568	£682	£795	£909	£1,022	£1,136	£1,250

Output calculation example 60Δt (watts): 616H x 1400L: 1.4 x 1401 = 1961w

 **Colour finish:** Standard colours from the Zehnder colour chart: white + 25%. Colour finish delivery 20-30 working days.

For full  compliant technical specifications, refer to page 148 **All prices exclude VAT**

zehnder orbis
(formerly striane)



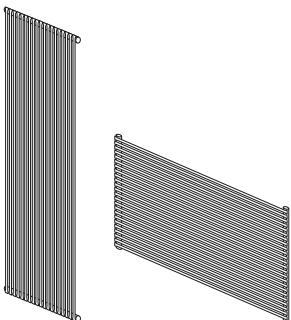
Efficient decorative radiators with unique, fast-response, slim tubes. Wide range of stock sizes. Made-to-measure options available.



Accessories: see page 123



Valves: see page 124



EN 442 CE

Central Heating Model STOCK listed in black	Height mm	Width mm	Number of tubes	Finish	Output $\Delta T=60K$ Watts/btu	Output $\Delta T=50K$ Watts/btu	Pipe centres	Weight kg	RRP (ex VAT)	RRP (inc 20% VAT)
					All outputs certified to EN 442					
Zehnder Orbis (formerly Striane) Vertical										
ORV-100-019	1000	190	10	white	340/1160	270/921	141	4.1	£158	£189.60
ORV-100-024	1000	247	13	white	434/1481	345/1177	198	5.2	£188	£225.60
ORV-180-030	1800	304	16	white	928/3168	736/2512	255	10.6	£298	£357.60
ORV-180-039	1800	399	21	white	1218/4158	966/3297	350	13.9	£373	£447.60
ORV-180-045	1800	456	24	white	1392/4752	1104/3768	407	15.9	£418	£501.60
ORV-180-049	1800	494	26	white	1508/5148	1196/4082	445	17.2	£448	£537.60
ORV-180-060	1800	608	32	white	1856/6336	1472/5024	559	21.2	£538	£645.60

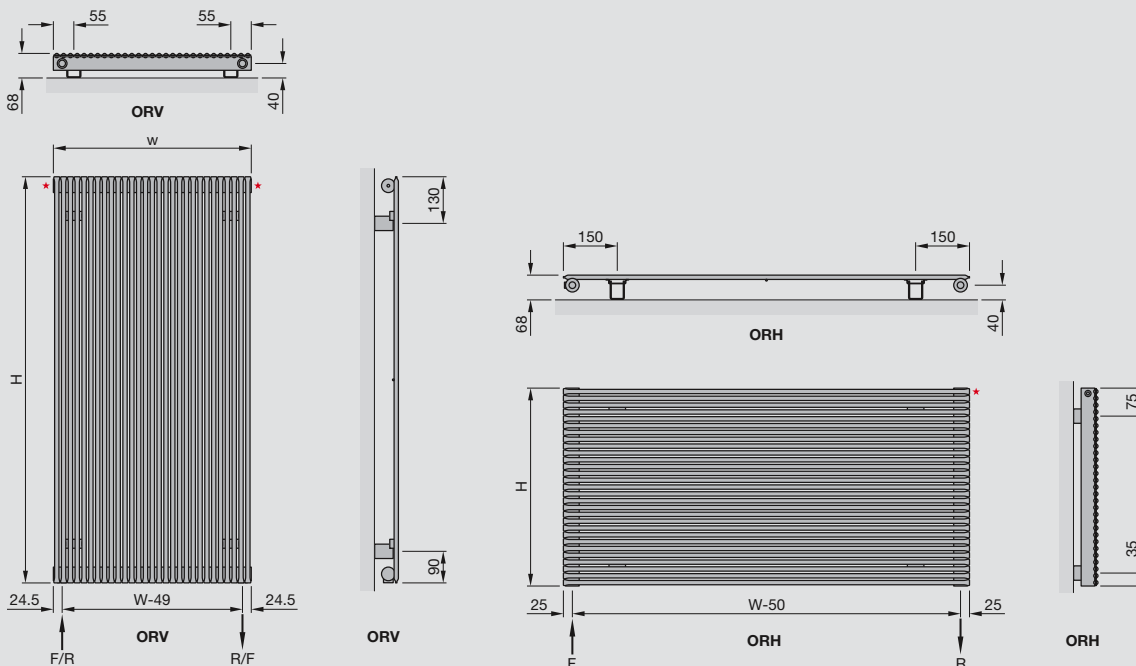
Made to Order: Intermediate sizes and double tubed. Orbis Room Divider, Floor Supports (prices on application)
 Stock Delivery 12-14 days approximately

Central Heating Model STOCK listed in black	Height mm	Width mm	Number of tubes	Finish	Output $\Delta T=60K$ Watts/btu	Output $\Delta T=50K$ Watts/btu	Pipe centres	Weight kg	RRP (ex VAT)	RRP (inc 20% VAT)
					All outputs certified to EN 442					
Zehnder Orbis (formerly Striane) Horizontal										
ORH-049-100	494	1000	26	white	960/3275	776/2648	950	9.9	£287	£344.40
ORH-049-120	494	1200	26	white	1152/3930	931/3178	1150	11.9	£312	£374.40
ORH-049-140	494	1400	26	white	1344/4585	1086/3707	1350	13.9	£336	£403.20
ORH-060-100	608	1000	32	white	1184/4041	949/3238	950	12.1	£335	£402.00
ORH-060-120	608	1200	32	white	1428/4872	1139/3886	1150	14.7	£363	£435.60
ORH-060-140	608	1400	32	white	1666/5685	1329/4533	1350	16.8	£391	£469.20

Made to Order: Intermediate sizes and double tubed ORHD, (available from 4 to 120 tubes with a minimum height/width of 450mm).
 Orbis Rhythm (custom made spacing), and floor supports. Prices on application.
 Stock Delivery 12-14 days approximately

Colour finish: Standard colours from the Zehnder colour chart: white + 25%. Colour finish delivery 20-30 working days.

*1/8" air vent
 Width excludes air vent
 F = flow
 R = return
 H = height
 W = width
 Tube: Horizontal \varnothing 12mm
 Tube: Vertical \varnothing 38mm
 All dimensions in mm



For full CE compliant technical specifications, refer to page 148

zehnder orbis
(formerly striane)



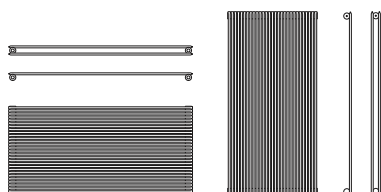
Made-to-measure options are available for both the vertical and horizontal Orbis. Multiple options include curving to suit installation requirements.



Made-to-measure



Valves: see page 124



Zehnder Orbis (ORV) (formerly Striane) vertical

Width		Height (mm)								
(mm)	No of tubes	600	800	1000	1200	1400	1600	1800	2000	2200
114	6	£106	£112	£118	£124	£130	£136	£148	£154	£166
152	8	£122	£130	£138	£146	£154	£162	£178	£186	£202
190	10	£138	£148	£158	£168	£178	£188	£208	£218	£238
228	12	£154	£166	£178	£190	£202	£214	£238	£250	£274
266	14	£170	£184	£198	£212	£226	£240	£268	£282	£310
304	16	£186	£202	£218	£234	£250	£266	£298	£314	£346
342	18	£202	£220	£238	£256	£274	£292	£328	£346	£382
380	20	£218	£238	£258	£278	£298	£318	£358	£378	£418
418	22	£234	£256	£278	£300	£322	£344	£388	£410	£454
456	24	£250	£274	£298	£322	£346	£370	£418	£442	£490
494	26	£266	£292	£318	£344	£370	£396	£448	£474	£526
532	28	£282	£310	£338	£366	£394	£422	£478	£506	£562
570	30	£298	£328	£358	£388	£418	£448	£508	£538	£598
608	32	£314	£346	£378	£410	£442	£474	£538	£570	£634
646	34	£330	£364	£398	£432	£466	£500	£568	£602	£670
684	36	£346	£382	£418	£454	£490	£526	£598	£634	£706
722	38	£362	£400	£438	£476	£514	£552	£628	£666	£742
760	40	£378	£418	£458	£498	£538	£578	£658	£698	£778
Technical data per tube	Weight (kg)	0.3	0.3	0.4	0.5	0.5	0.6	0.7	0.7	0.8
	Output 50ΔT Watts/BTU	16/55	22/75	27/92	32/109	36/123	41/140	46/157	51/174	56/191
	Output 60ΔT Watts/BTU	20/68	28/96	34/116	40/136	45/154	52/177	58/198	64/218	70/239

Output calculation example 60Δt (watts): 1600H x 195W: 10 x 52 = 520w

Zehnder Orbis (ORH) (formerly Striane) horizontal

Height		Technical data per metre			Width (mm)								
(mm)	No of tubes	Weight (kg)	Output 50ΔT Watts/BTU	Output 60ΔT Watts/BTU	600	800	1000	1200	1400	1600	1800	2000	2200
228	12	4.5	356/1215	438/1493	£143	£159	£175	£191	£207	£224	£240	£256	£272
266	14	5.2	427/1457	524/1788	£156	£174	£191	£208	£226	£243	£261	£278	£295
304	16	6.0	500/1706	613/2092	£170	£188	£207	£226	£244	£263	£281	£300	£319
342	18	6.7	554/1890	677/2310	£183	£203	£223	£243	£263	£282	£302	£322	£342
380	20	7.6	609/2078	747/2548	£197	£218	£239	£260	£281	£302	£323	£344	£365
437	22	8.4	664/2266	817/2787	£211	£233	£255	£277	£299	£322	£344	£366	£388
456	24	9.1	720/2457	901/3076	£224	£248	£271	£294	£318	£341	£365	£388	£411
494	26	9.9	776/2648	960/3275	£238	£262	£287	£312	£336	£361	£385	£410	£435
532	28	10.6	833/2842	1034/3527	£251	£277	£303	£329	£355	£380	£406	£432	£458
570	30	11.3	891/3040	1108/3782	£265	£292	£319	£346	£373	£400	£427	£454	£481
608	32	12.1	949/3238	1184/4041	£279	£307	£335	£363	£391	£420	£448	£476	£504
646	34	13.5	1009/3443	1263/4310	£292	£322	£351	£380	£410	£439	£469	£498	£527
684	36	14.3	1069/3647	1343/4581	£306	£336	£367	£398	£428	£459	£489	£520	£551

Output calculation example 60Δt (watts): 525H x 1200L: 1.2 x 1034 = 1241w

Details of prices for intermediate sizes and curved options are available on request.

Available from 4 - 120 tubes.

Prices for Orbis double tubed - double the prices above for the relevant sizes.

Please refer to page 97 for technical diagrams

Colour finish: Standard colours from the Zehnder colour chart: white + 25%. Colour finish delivery 20-30 working days.

zehnder *kleo*



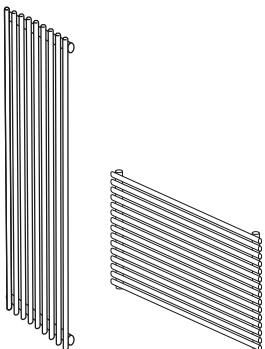
Elegant, single or double tubed vertical and horizontal radiators with made-to-measure options.
See page 102.



Standard towel bar:
see page 123



Valves: see page 124



EN 442 CE

Central Heating Model STOCK listed in black	Height mm	Width mm	Number of tubes	Finish	Output $\Delta T=60K$ Watts/btu	Output $\Delta T=50K$ Watts/btu	Pipe centres	Weight kg	RRP (ex VAT)	RRP (inc 20% VAT)
					All outputs certified to EN 442					
Zehnder Kleo vertical single panel										
KLV-180-009	1800	297	9	white	798/2722	632/2156	248	10.3	£241	£289.20
KLV-180-012	1800	396	12	white	1063/3627	842/2874	347	13.7	£295	£354.00
KLV-180-015	1800	495	15	white	1331/4541	1053/3593	446	17.0	£349	£418.80
KLV-180-018	1800	594	18	white	1620/5526	1260/4320	545	21.6	£404	£484.80

The KLV can also be installed horizontally with TBSE connections on either side.

Central Heating Model STOCK listed in black	Height mm	Width mm	Number of tubes	Finish	Output $\Delta T=60K$ Watts/btu	Output $\Delta T=50K$ Watts/btu	Pipe centres	Weight kg	RRP (ex VAT)	RRP (inc 20% VAT)
					All outputs certified to EN 442					

Zehnder Kleo horizontal single panel

KLH-058-100	594	1000	18	white	981/3346	782/2668	962	12.4	£294	£352.80
KLH-058-120	594	1200	18	white	1177/4015	938/3201	1162	14.9	£322	£386.40
KLH-058-140	594	1400	18	white	1373/4684	1094/3735	1362	17.4	£349	£418.80

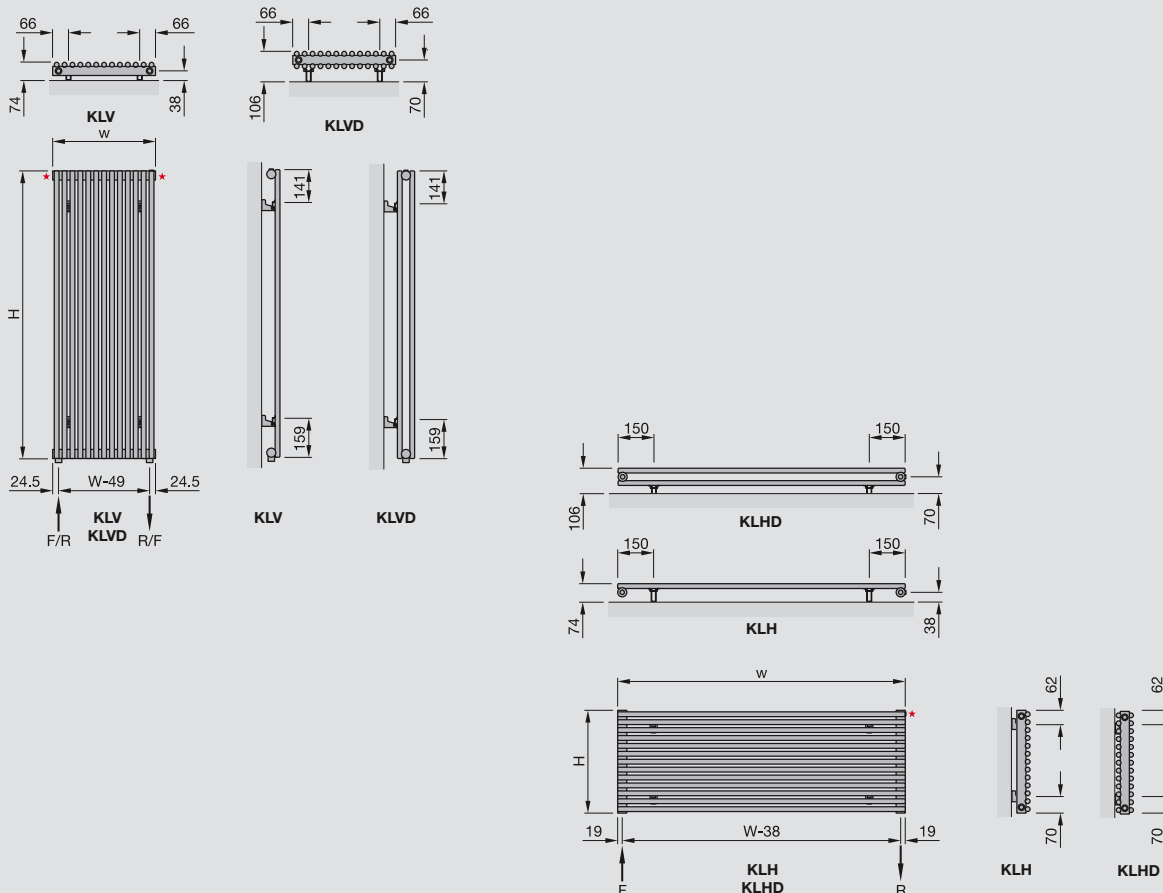
Zehnder Kleo horizontal double panel

KLHD-058-100	594	1000	18	white	1526/5210	1211/4134	962	22.6	£514	£616.80
KLHD-058-120	594	1200	18	white	1831/6251	1453/4961	1162	27.1	£563	£675.60
KLHD-058-140	594	1400	18	white	2136/7292	1695/5787	1362	31.6	£611	£733.20

Made to measure sizes available (excluding chrome)

Colour finish: Standard colours from the Zehnder colour chart: white + 25%. Colour finish and non-stock products delivery 20-30 working days.

*1/8" air vent
 Width excludes air vent
 F = flow
 R = return
 H = height
 W = width
 Tube: Horizontal \varnothing 38mm
 Tube: Vertical \varnothing 20mm
 All dimensions in mm



For full CE compliant technical specifications, refer to page 149

zehnder *kleo*



Made-to-measure options with single or double tubes are available for both the horizontal or vertical Zehnder Kleo.



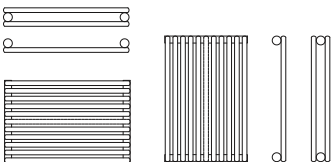
Made-to-measure



Standard towel bar:
see page 123



Valves: see page 124



Zehnder Kleo (KLV) vertical

Width		Height (mm)								
(mm)	No of tubes	600	800	1000	1200	1400	1600	1800	2000	2200
198	6	£126	£136	£146	£156	£166	£177	£186	£192	£200
264	8	£142	£156	£169	£182	£196	£209	£223	£230	£241
330	10	£158	£175	£191	£208	£225	£242	£259	£268	£282
396	12	£174	£194	£214	£234	£255	£275	£295	£306	£323
462	14	£190	£214	£237	£261	£284	£308	£331	£344	£363
528	16	£206	£233	£259	£287	£314	£341	£367	£383	£404
594	18	£222	£252	£282	£313	£343	£374	£404	£421	£445
660	20	£238	£272	£305	£339	£373	£407	£440	£459	£486
726	22	£254	£291	£328	£365	£402	£440	£476	£497	£527
792	24	£270	£311	£350	£391	£432	£473	£512	£535	£567
858	26	£286	£330	£373	£417	£461	£505	£548	£573	£608
924	28	£302	£349	£396	£443	£491	£538	£584	£611	£649
990	30	£318	£369	£418	£469	£520	£571	£621	£649	£690
1056	32	£334	£388	£441	£495	£550	£604	£657	£687	£730
1122	34	£350	£408	£464	£521	£579	£637	£693	£725	£771
1188	36	£366	£427	£486	£547	£609	£670	£729	£763	£812
1254	38	£382	£446	£509	£573	£638	£703	£765	£801	£853
1320	40	£398	£466	£532	£600	£668	£736	£802	£839	£894
Technical data per tube	Weight (kg)	0.5	0.6	0.7	0.8	0.9	1.0	1.2	1.3	1.4
	Output 50ΔT Watts/BTU	26/89	34/115	41/140	49/165	56/190	63/215	70/240	78/264	85/289
	Output 60ΔT Watts/BTU	33/113	43/146	52/178	62/211	71/243	81/275	90/307	99/339	109/371

Output calculation example 60Δt (watts): 10 tubes x 1800 high: 10 x 90 = 900w

Zehnder Kleo (KLH) horizontal

Height		Technical data per metre			Width (mm)								
(mm)	No of tubes	Weight (kg)	Output 50ΔT Watts/BTU	Output 60ΔT Watts/BTU	600	800	1000	1200	1400	1600	1800	2000	2200
396	12	8.2	515/1757	621/2117	£188	£207	£225	£244	£262	£281	£299	£318	£336
462	14	9.4	611/2085	767/2618	£204	£225	£247	£268	£289	£311	£332	£354	£375
528	16	11.1	697/2378	875/2985	£221	£246	£270	£295	£319	£344	£368	£393	£417
594	18	12.4	782/2668	981/3346	£239	£266	£294	£322	£349	£377	£404	£432	£459
660	20	13.7	867/2958	1086/3707	£257	£287	£318	£348	£379	£409	£440	£470	£501
726	22	15.0	951/3245	1191/4063	£274	£308	£341	£375	£409	£442	£476	£509	£543
792	24	17.4	1034/3528	1295/4417	£292	£328	£365	£402	£438	£475	£512	£548	£585
858	26	18.8	1117/3811	1397/4768	£309	£349	£389	£429	£468	£508	£548	£587	£627
924	28	20.1	1200/4094	1500/5118	£327	£370	£412	£455	£498	£541	£584	£626	£669
990	30	21.4	1282/4374	1601/5463	£344	£390	£436	£482	£528	£574	£620	£665	£711
1056	32	22.8	1364/4654	1702/5808	£362	£411	£460	£509	£558	£607	£655	£704	£753
1122	34	24.1	1445/4930	1803/6153	£380	£432	£483	£535	£587	£639	£691	£743	£795
1188	36	25.4	1526/5207	1903/6493	£397	£452	£507	£562	£617	£672	£727	£782	£837

Output calculation example 60Δt (watts): 20 tubes x 1400 long: 1.4 x 1086 = 1520w

Prices for Kleo double tubed - Double the prices above for the relevant sizes

Details on intermediate sizes are available on request. Available from 7 - 90 tubes

Please refer to page 101 for technical diagrams

Colour finish: Standard colours from the Zehnder colour chart: white + 25%. Colour finish delivery 20-30 working days. Chrome on request

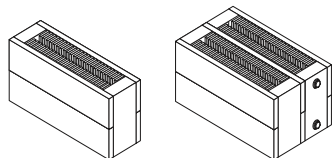
zehnder *stratos*



The Zehnder Stratos achieves excellent heat outputs even with its compact dimensions, giving an excellent price-performance ratio.



Valves: see page 124



EN 442 CE

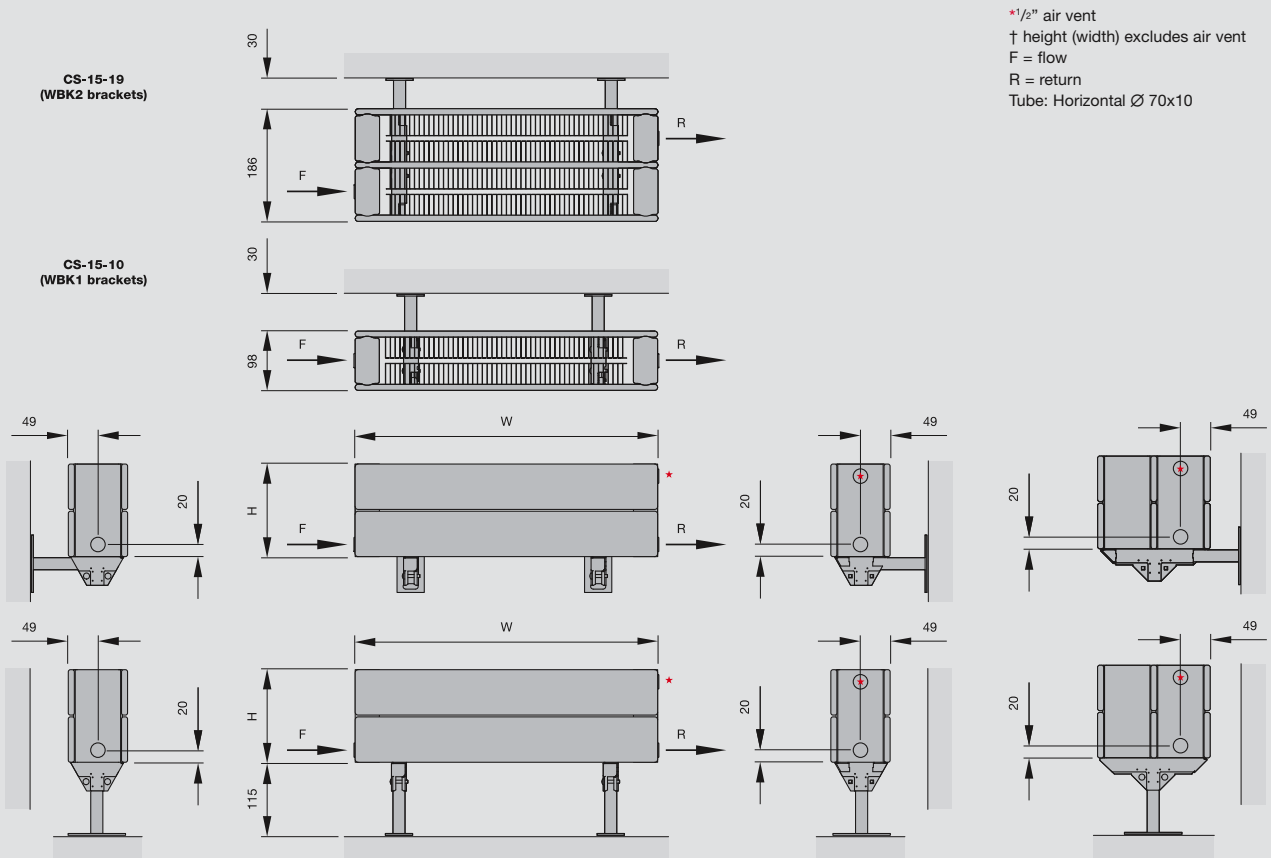
Central Heating Model STOCK listed in black	Height mm	Width mm	Depth	Finish	Output $\Delta T=60K$ Watts/btu	Output $\Delta T=50K$ Watts/btu	Weight kg	RRP (ex VAT)	RRP (inc 20% VAT)
					All outputs certified to EN 442				
Zehnder Stratos without grille									
CS-15-10-1000	153	1000	98	white	1012/3453	791/2699	12.3	£343	£411.60
CS-15-10-1200	153	1200	98	white	1214/4142	949/3238	14.8	£373	£447.60
CS-15-10-1400	153	1400	98	white	1417/4835	1107/3777	17.2	£405	£486.00
CS-15-10-1500	153	1500	98	white	1518/5179	1187/4050	18.5	£421	£505.20
CS-15-10-1600	153	1600	98	white	1619/5524	1266/4319	19.7	£437	£524.40
CS-15-10-2000	153	2000	98	white	2024/6906	1582/5398	24.6	£502	£602.40
CS-15-19-1000	153	1000	186	white	1780/6073	1394/4756	21.3	£546	£655.20
CS-15-19-1200	153	1200	186	white	2136/7288	1673/5708	25.6	£612	£734.40
CS-15-19-1400	153	1400	186	white	2492/8503	1952/6660	29.8	£679	£814.80
CS-15-19-1500	153	1500	186	white	2670/9110	2091/7134	32.0	£712	£854.40
CS-15-19-1600	153	1600	186	white	2848/9717	2230/7608	34.1	£746	£895.20
CS-15-19-2000	153	2000	186	white	3560/12146	2788/9513	42.6	£878	£1,053.60

Zehnder Stratos with factory-fitted grille									
CSG-15-10-1000	153	1000	98	white	966/3298	755/2578	12.6	£363	£435.60
CSG-15-10-1200	153	1200	98	white	1159/3956	906/3092	15.2	£396	£475.20
CSG-15-10-1400	153	1400	98	white	1353/4617	1057/3607	17.6	£431	£517.20
CSG-15-10-1500	153	1500	98	white	1450/4946	1134/3868	19.0	£451	£541.20
CSG-15-10-1600	153	1600	98	white	1546/8140	1209/4125	20.2	£468	£561.60
CSG-15-10-2000	153	2000	98	white	1933/6595	1511/5155	25.2	£541	£649.20
CSG-15-19-1000	153	1000	186	white	1700/5800	1331/4542	21.9	£584	£700.80
CSG-15-19-1200	153	1200	186	white	2040/6960	1598/5451	26.4	£658	£789.60
CSG-15-19-1400	153	1400	186	white	2380/8120	1864/6360	30.7	£734	£880.80
CSG-15-19-1500	153	1500	186	white	2550/8700	1997/6813	32.9	£774	£928.80
CSG-15-19-1600	153	1600	186	white	2720/9280	2130/7266	35.1	£816	£979.20
CSG-15-19-2000	153	2000	186	white	3400/11599	2663/9085	43.9	£956	£1,147.20

Grilles must be specified at order stage as they are not suitable for retrofit.

Colour finish: Standard colours from the Zehnder colour chart: white + 25%. Colour finish and non-stock products delivery: 20-30 working days.

Accessories			
Model		RRP (ex VAT)	RRP (inc 20% VAT)
793102	Anti-lifting system (set of 2) for brackets	£22	£26.40



For full compliant technical specifications, refer to page 150

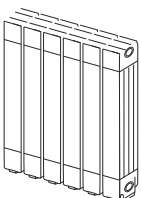
zehnder *lyta-s*



Aluminium radiators give a fast response, comfortable heat with high thermal efficiency. Energy saving and easy to handle, resistant to corrosion and with the ability to add or remove sections according to requirements, the Lyta-S is a modern radiator in every sense. 10 year warranty



Valves: see page 124



Central Heating STOCK listed in black	Height mm	Width mm	Number of sections	Overall Projection mm	Output $\Delta T=60K$ Watts/btu	Output $\Delta T=50K$ Watts/btu	Weight kg	RRP (ex VAT)	RRP (inc 20% VAT)
					All outputs certified to EN 442				
Zehnder Lyta-S horizontal									
LYSV-041-048	407	480	6	130	710/2422	560/1911	6.6	£132	£158.40
LYSV-041-064	407	640	8	130	947/3231	747/2549	8.8	£176	£211.20
LYSV-041-080	407	800	10	130	1184/4039	934/3187	11.0	£220	£264.00
LYSV-041-096	407	960	12	130	1421/4848	1121/3825	13.2	£264	£316.80
LYSV-041-112	407	1120	14	130	1658/5657	1308/4463	15.4	£308	£369.60
LYSV-056-048	557	480	6	130	949/3238	746/2545	8.4	£138	£165.60
LYSV-056-064	557	640	8	130	1266/4319	995/3395	11.2	£184	£220.80
LYSV-056-080	557	800	10	130	1570/5356	1234/4210	14.0	£230	£276.00
LYSV-056-096	557	960	12	130	1898/6476	1492/5091	16.8	£276	£331.20
LYSV-056-112	557	1120	14	130	2213/7552	1740/5937	19.6	£322	£386.40
LYSV-066-048	657	480	6	130	1114/3800	855/2917	9.6	£144	£172.80
LYSV-066-064	657	640	8	130	1485/5067	1140/3890	12.8	£192	£230.40
LYSV-066-080	657	800	10	130	1856/6334	1425/4862	16.0	£240	£288.00
LYSV-066-096	657	960	12	130	2228/7601	1710/5835	19.2	£288	£345.60
LYSV-066-112	657	1120	14	130	2599/8867	1995/6807	22.4	£336	£403.20

Powder coated RAL9010 white finish. Colour finishes are not available.

Width excludes air vent and bushes (Additional 24mm)

The Lyta-S is a high output, low water content, die-cast aluminium radiator, sectional in manufacture, supplied with a bracket pack comprised of wall fixing brackets, plugs, bushes and an air vent.

Where an intermediate sized radiator is required, additional sections can be purchased and added or removed as necessary by the installer.

Joining nipples, gaskets and an assembly tool must be purchased separately.

Lyta-S horizontal

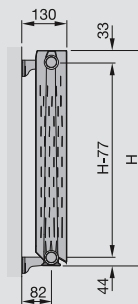
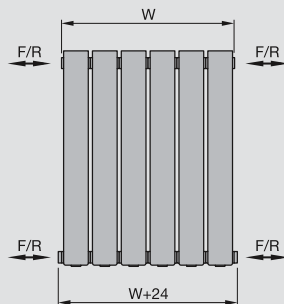
Technical data per section

Model	Height mm	Length mm	Output 60 ΔT Watts/BTU	Output 50 ΔT Watts/BTU	Weight Kg	RRP (ex VAT)	RRP (inc 20% VAT)
LYSV-041-008	407	80	118/403	93/317	1.1	£22	£26.40
LYSV-056-008	557	80	158/539	124/423	1.4	£23	£27.60
LYSV-066-008	657	80	186/635	143/488	1.6	£24	£28.80

Accessories

Model		RRP (ex VAT)	RRP (inc 20% VAT)
468603	Towel rail for 6 section Lyta-S. White RAL9010 (see page 108)	£59	£70.80
905110	Aluminium assembly tool 300	£41	£49.20
905120	Aluminium assembly tool 600	£41	£49.20
905130	Aluminium assembly tool 900	£41	£49.20
905140	Aluminium assembly tool 1200	£41	£49.20
911140	1 inch steel joining nipple -for use with Lyta-S	£2.10	£2.52
915063	Joining nipple gasket for joining the Lyta-S. White RAL 9010	£0.50	£0.60
915079	Gasket for end plugs for Lyta-S - Green	£1.10	£1.32
956400	Installation bush and bracket pack for Lyta-S	£19	£22.80
956420	Service assembly kit for the the Lyta-S radiator	£18	£21.60

*1/2" air vent
Width excludes air vent
F = flow
R = return
H = height
W = width
All dimensions in mm



Connections: 4 x 1/2", suitable for bottom opposite ends (BOE), top bottom opposite ends (TBOE) or top bottom same end (TBSE).

For full compliant technical specifications, refer to page 151

zehnder *lyta-t*



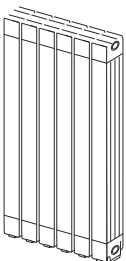
The space-saving, fast response, economical and efficient vertical Lyta-T aluminium radiator is energy saving and easy to handle. Resistant to corrosion, sections can be added or removed to suit installation requirements. The Lyta-T has the practical option of a towel bar. 10 year warranty.



Lyta-T towel bar



Valves: see page 124



Central Heating STOCK listed in black	Height mm	Width mm	Number of sections	Overall Projection mm	Output $\Delta T=60K$ Watts/btu	Output $\Delta T=50K$ Watts/btu	Weight kg	RRP (ex VAT)	RRP (inc 20% VAT)
					All outputs certified to EN 442				
Zehnder Lyta-T vertical									
LYTV-097-032	966	320	4	127	935/3189	728/2484	7.8	£184	£220.80
LYTV-097-048	966	480	6	127	1402/4783	1092/3726	11.8	£276	£331.20
LYTV-147-032	1466	320	4	127	1281/4372	1000/3412	11.2	£260	£312.00
LYTV-147-048	1466	480	6	127	1922/6558	1500/5118	16.8	£390	£468.00
LYTV-187-024	1866	240	3	127	1160/3956	900/3071	10.2	£231	£277.20
LYTV-187-032	1866	320	4	127	1546/5275	1200/4094	13.6	£308	£369.60
LYTV-187-040	1866	400	5	127	1933/6594	1500/5118	17.0	£385	£462.00
LYTV-187-048	1866	480	6	127	2319/7913	1800/6142	20.4	£462	£554.40

Powder coated RAL9010 white finish. Colour finishes are not available.
Width excludes air vent and bushes (Additional 24mm).

The Lyta-T is a high output, low water content, extruded aluminium radiator, sectional in manufacture, supplied with a bracket pack comprised of wall fixing brackets, plugs, bushes and an air vent.
Where an intermediate sized radiator is required, additional sections can be purchased and added or removed as necessary by the installer. Joining nipples, gaskets and an assembly tool must be purchased separately.

Lyta-T vertical

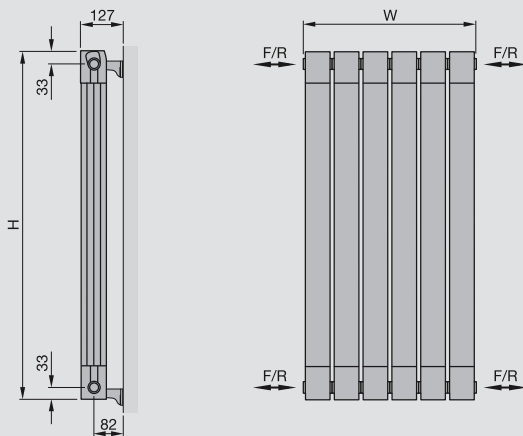
Technical data per section

Model	Height mm	Length mm	Output 60 ΔT Watts/BTU	Output 50 ΔT Watts/BTU	Weight Kg	RRP (ex VAT)	RRP (inc 20% VAT)
LYTV-097-008	966	80	234/798	182/621	2.0	£46	£55.20
LYTV-147-008	1466	80	320/1092	250/853	2.8	£65	£78.00
LYTV-187-008	1866	80	387/1320	300/1024	3.4	£77	£92.40

Accessories

Model		RRP (ex VAT)	RRP (inc 20% VAT)
905110	Aluminium assembly tool 300	£41	£49.20
905120	Aluminium assembly tool 600	£41	£49.20
905130	Aluminium assembly tool 900	£41	£49.20
905140	Aluminium assembly tool 1200	£41	£49.20
905140	Aluminium assembly tool 1200	£1.10	£1.32
915089	Gasket for nipples, plugs and adaptors for Lyta-T - Black	£2.30	£2.76
911150	1 inch steel joining nipple for Lyta-T	£19	£22.80
956410	Installation bush and bracket pack for Lyta-T	£47	£56.40
468613	Towel rail for 4 section Lyta-T. White RAL9010	£54	£64.80
468623	Towel rail for 5 section Lyta-T. White RAL9010	£59	£70.80
468603	Towel rail for 6 section Lyta-S and Lyta-T. White RAL9010	£18	£18.00

*1/2" air vent
Width excludes air vent
F = flow
R = return
H = height
W = width
All dimensions in mm



Connections: 4 x 1/2", suitable for bottom opposite ends (BOE), top bottom opposite ends (TBOE) or top bottom same end (TBSE)
Packaging includes one rubber plug/baffle (A 30/1) to be fitted in the flow position where radiators are to be installed BOE.
Valves are not included.

For full CE compliant technical specifications, refer to page 151

Electric radiators

Heat at its most convenient.

Electrically heated radiators offer the ultimate in a comfortable living environment. With the multiple temperature settings of the control units, every room can be customized to requirements, maximizing efficiency, economy and comfort.

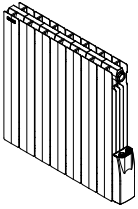




zehnder *alura*



Attractive, economical, comfortable and convenient warmth - all you could want from a radiator. The Zehnder Alura is a fast response electric radiator with a high output in relation to its small size, and is easy and economical to use. Its weight and size make it easy to install.



zehnder *charleston*



The easy-to-use electronic control unit has 9 heat settings plus 5 mode settings and can be used independently or be wired into a central programming unit.



Adjustable foot

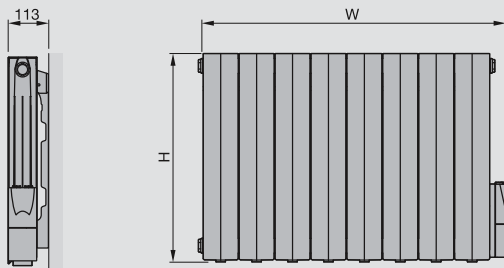


Electric Heating Model STOCK listed in bold	Height mm	Width mm	Finish	No. of sections	With factory fitted controls, Class II IPX4 Electric Rating (Watts)	Weight kg	RRP (ex VAT)	RRP (inc 20% VAT)
⚡ Zehnder Alura Electric								
ALE-050-036	575	354	white*	3	500	7	£239	£286.80
ALE-075-046	575	454	white*	4	750	9	£261	£313.20
ALE-100-056	575	554	white*	5	1000	11	£294	£352.80
ALE-125-076	575	754	white*	7	1250	15	£344	£412.80
ALE-150-086	575	854	white*	8	1500	17	£382	£458.40
ALE-200-116	575	1154	white*	11	2000	23	£469	£562.80

*white (RAL 9016)

Temperature Control: Electronic temperature control unit ensuring precise regulation of temperature. 6 temperature settings plus 5 mode settings. (No heat, frost protection, comfort, Eco, and auto for central programming). Suitable for IPX4 zone 1 bath and zone 2 shower.

H = height
W = width
All dimensions in mm

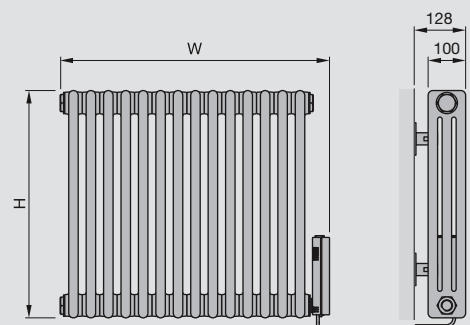


Electric Heating Model STOCK listed in black	Height mm	Width mm	number of sections	Finish	Electric Immersion Rating (Watts) With factory fitted HCL Electric only Models Class II, IPX4 CE	Weight kg	RRP (ex VAT)	RRP (inc 20% VAT)
⚡ Zehnder Charleston Electric								
M3050-14/E	500	674	14	white	500	30.8	£436	£523.20
M3050-18/E	500	858	18	white	750	39.6	£516	£619.20
M3050-22/E	500	1042	22	white	750	48.4	£585	£702.00
M3050-26/E	500	1226	26	white	1000	57.2	£663	£795.60
M3050-30/E	500	1410	30	white	1250	66	£741	£889.20
M3060-10/E	600	490	10	white	500	23		
M3060-14/E	600	674	14	white	750	32.2	£459	£550.80
M3060-18/E	600	858	18	white	750	41.4	£540	£648.00
M3060-20/E	600	950	20	white	1000	46	£583	£699.60
M3060-24/E	600	1134	24	white	1250	55.2	£660	£792.00
M3060-30/E	600	1410	30	white	1500	69	£781	£937.20

🎨 **Colour finish:** Standard colours from the Zehnder colour chart: white + 25%. Colour finish and non-stock products delivery: 20-30 working days.

Accessories			
Model		RRP (ex VAT)	RRP (inc 20% VAT)
8100601020	Lambswool cleaning brush	£48	£57.60
Adjustable feet (height 100 to 150mm)			
X10920	white	£28	£33.60
X10920 + colour code	colour	£36	£43.20
Towel Rails			
8100966018	Charleston towel bar 368mm	£123	£147.60
8100966028	Charleston towel bar 918mm	£136	£163.20

H = height
W = width
All dimensions in mm



zehnder roda
(formerly *fassane*)



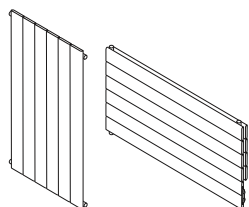
Electric Zehnder Roda radiators are efficient decorative radiators, available as horizontal or vertical, perfect for all living areas.



Accessories: see page 123



Premium control for ROEV & ROEHD



Electric Heating Model STOCK listed in black	Height mm	Width mm	Finish	With factory fitted Premium controls Class II, IPX4, IK09, NF, CE Electric Rating (Watts)	Weight kg	RRP (ex VAT)	RRP (inc 20% VAT)
⚡ Zehnder Roda (formerly Fassane) Electric Vertical							
ROEV150-040/LF	1517	375	white	750	24	£816	£979.20
ROEV180-045/LF	1817	449	white	1000	32	£866	£1,039.20
ROEV180-060/LF	1817	597	white	1500	40	£965	£1,158.00
⚡ Zehnder Roda (formerly Fassane) Electric Horizontal							
ROEHD040-080/LF	442	817	white	750	21.5	£689	£826.80
ROEHD060-080/LF	590	817	white	1000	28.7	£761	£913.20
ROEHD040-110/LF	442	1117	white	1000	28.3	£804	£964.80
ROEHD060-110/LF	590	1117	white	1250	38.5	£874	£1,048.80
ROEHD040-150/LF	442	1517	white	1500	37.7	£960	£1,152.00

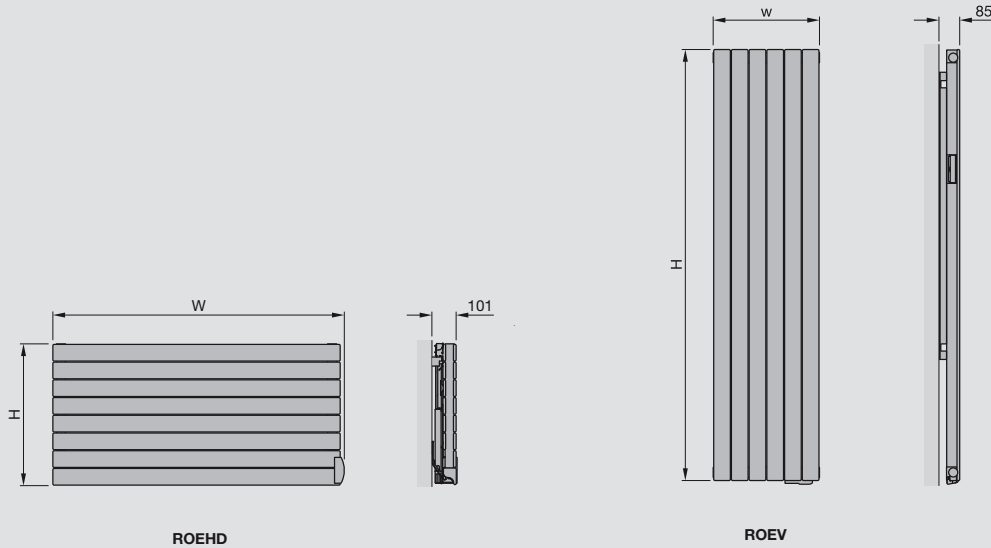
Overall projection: 85mm

Accessories: Please refer to accessories section page 123.

Not available as dual energy

🌀 **Colour finish:** Standard colours from the Zehnder colour chart: white + 25%. Colour finish and non-stock products delivery: 20-30 working days.

H = height
W = width
All dimensions in mm



Extractor Fans

Silence, style and simplicity.

Condensation and mould are not new phenomena and the need to safeguard dwellings against them has not diminished. In fact, with improved heating systems, insulation and double glazing, homes are becoming more and more sealed, however, homes need air to 'breathe' and that air needs to be of good quality. Zehnder offers a choice of wall and ceiling extraction fans to blend with indoor decors which also incorporate uniquely quiet and low consumption options for the ultimate solution in single point ventilation.





1

Energy efficiency

The ZLE100 low energy Adaptive fan only consumes between 1.6 and 8.9 watts per hour depending on speed setting, and costing under 50p a year to operate based on 1½ hours daily use.



2

Health

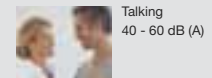
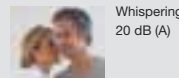
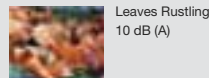
Airborne particles are always floating around our homes, including those found in man-made furnishings and cleaning products plus moisture is continually created through bathing and washing. Zehnder extract fans have been designed to eliminate condensation and improve the general air quality within the home by extracting stale air from the wet rooms where many of the major pollutants can build up. Using extraction fans helps to provide a comfortable environment within the home by improving the indoor air quality.



3

Silence

A major concern for home owners is the level of noise produced from standard ventilation, particularly in the bathroom where relaxation and a sanctuary atmosphere is so important. Taking account of this, Zehnder offers a range of 'Silent' fans operating at typically 70% less noise than standard bathroom fans; the ZSR100 fan is 26 dB (A).



4

Style

Inspired by modern trends and a popular desire for matching accessories, Zehnder decorative fans use materials, finishes and shapes that blend stylishly with surrounding decor. The range of fans has been created to complement current bathroom and kitchen design, comprising models that incorporate lighting, high quality materials, discreet low profile designs and decorative front covers with a choice of easy to change, central inserts, transforming ventilation into a design feature.



5

Simplicity

Zehnder extraction fans are simple to fit, control and maintain, providing the perfect solution for refurbishment projects where central systems can be difficult to install. Zehnder offers a comprehensive range of accessories to suit both wall and ceiling applications.

zehnder *silent wall*
& *ceiling fans*
100mm

The range of Zehnder Silent fans offer “whisper-quiet” operation – typically a minimum of 70% less noise than standard fans. This range has been developed in response to customers who want high performance ventilation without nuisance noise. 3 year warranty.



zehnder *adaptive*
wall & ceiling fans
100mm

The economical low-energy Zehnder Adaptive fan offers the latest in intermittent technology - adaptive extraction- with 6 pre-set speeds to choose from for different installation applications, generating the required extraction rate from the room. 3 year warranty.



Operating information:

100mm fan suitable for walls and ducted ceilings with a supplied choice of 3 fascia options

Zehnder Silent Basic wall fan:


- Single speed
- Operation by light switch or remote

Zehnder Silent Timer fan:

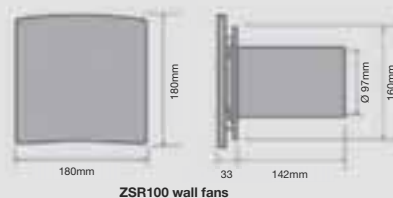
- Single speed, 230v
- Operation by light switch or remote switch
- Adjustable over-run timer (2-30mins) factory set at 15 minutes. When wired into room light or remote switch the fan will operate whilst the light is on and, when switched off, will run on over-run timer for the pre-set over-run period.

Zehnder Silent Humidistat fan:

- Single speed, 230v
- Automatic operation by the integrated humidistat sensor with optional manual override via remote switch
- Over-run timer cuts in once desired humidity has been reached to prevent fan 'hunting' on and off. Adjustable over-run timer (2-30mins)

Model STOCK listed in black	Features	RRP (ex VAT)	RRP (inc 20% VAT)	
 Fascia options 1, 2 and 3	Basic Silent fan ZSR100B 10A	100mm basic fan. Remote operation	£57	£68.40
	Timer Silent fan ZSR100TR 11A	100mm timer fan. Remote operation	£69	£82.80
	Humidistat Silent fan ZSR100HTR 12A	100mm humidistat fan. Remote operation	£116	£139.20

Product	Application	Airflow m ³ /h in free air	Airflow l/s in free air (BS848 Pt 1)	Sound pressure level @ 3m dB(A)	Energy Consumption (W)	IP Rating	Operation
100mm Basic Silent wall & ceiling fan	W.C. Bathroom	95	26	26.7	13	IPX4	single speed
100mm Timer Silent wall & ceiling fan	W.C. Bathroom	95	26	26.7	16	IPX4	single speed
100mm Humidistat Silent wall & ceiling fan	Bathroom	95	26	26.7	16	IPX4	single speed



ZSR100 wall fans

Operating information:

100mm fan suitable for through wall and ducted ceiling/wall installation




The speed of the fan is set by the installer according to the size and use of the room, thus avoiding over or under ventilation.

Zehnder Adaptive fan with "smart" timer technology and pull cord option.

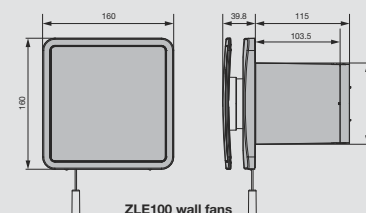
The length of time of the fan over-run is based on occupancy duration, up to a maximum run-time of 15 minutes, reducing heat loss and energy usage.

Zehnder Adaptive fan with "smart" humidistat and timer technology and pull cord option.

The fan knows the normal humidity level and only activates when spikes occur, providing the right amount of ventilation when required, unlike fans with a generic point that respond to high ambient humidity on a summer's day and particularly in the middle of the night.

Model STOCK listed in black	Features	RRP (ex VAT)	RRP (inc 20% VAT)	
 Adaptive fan	Adaptive fan ZLE100TA	100mm low energy Adaptive fan with "smart" timer technology and pull cord.	£75	£90.00
	Adaptive fan ZLE100HTA	100mm low energy Adaptive fan with "smart" humidistat and timer technology and pull cord.	£122	£146.40




Product	Airflow m ³ /h in free air		Airflow l/s in free air (BS848 Pt 1)		Sound pressure level @ 3m dB(A)		Energy Consumption (W)		IP Rating	Operation
	Min	Max	Min	Max	Min	Max	Min	Max		
100mm Adaptive wall & ceiling fan	49	111.6	13.6	31	25	45	1.6	8.9	IPX4	6 speed





ZLE100 wall fans

Accessories	RRP (ex VAT)	RRP (inc 20% VAT)
-------------	--------------	-------------------

Wall fan accessories

 ZED1A	Plastic wall inner with integral screw-fixing channels	£7	£8.40
 ZEG1WA ZEG1BA	Fixed blade louvered external wall vent in white	£4	£4.80
	Fixed blade louvered external wall vent in brown	£4	£4.80
 ZFF100W ZFF100B	Fast fix wall duct system with external grill available in white (W) or brown (B)	£11	£13.20

Ceiling fan accessories

 ZGFP4.3A	Flexiduct 3m x Ø100mm (required for ceiling fitting)	£9	£10.80
 ZGG42WA ZGG42BA	100mm External grille with spigot in white	£5	£6.00
	100mm External grille with spigot in brown	£5	£6.00

zehnder *silent*
shower fan kits
100mm

Silent fans are 70% quieter than standard axial fans when operating. Supplied as shower kits with or without a light and with a 3 year warranty.



zehnder *halo*
designer shower fan
& light kit 125mm

Today's luxurious showers and bathrooms call for high performance and high design. The Zehnder Halo is a ceiling extractor fan supplied as a kit with an integrated light and a 3 year warranty.



Operating information:

Zehnder Silent Timer fan:



- Single speed, 230v
- Operation by light switch or remote switch

Zehnder Silent Timer ceiling fan with light:

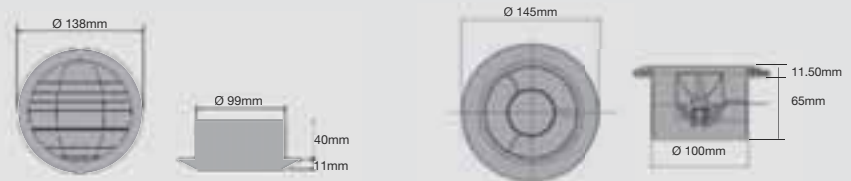
- Single speed, 230v
- Operation by light switch or remote switch

Model STOCK listed in black	Features	RRP (ex VAT)	RRP (inc 20% VAT)
-----------------------------	----------	--------------	-------------------

100mm fan suitable for ducted ceilings

	ZSR100TSKA	Zehnder Silent Timer shower kit Kit includes 100mm induct fan with adjustable timer, 90° bend, 3 metres of Flexiduct, 4 fixing clips, outlet grille and fixing screws.	£125	£150.00
	ZSR100LTSKA	Zehnder Silent Timer shower kit & light Kit comprising 100mm induct fan with adjustable timer, internal grille with SELV (Safety Extra Low Voltage) 12V light unit LV light transformer. 90° bend, 3 metres of Flexiduct, 4 fixing clips, outlet grille and fixing screws, white & chrome bezels.	£138	£165.60

Product	Application	Airflow m ³ h in free air	Airflow l/s in free air (BS848 Pt 1)	Sound pressure level @ 3m dB(A)	Energy Consumption (W)	IP Rating	Operation
100mm Silent Timer shower kit	Bathroom	110	31	20	16	IPX4	single speed
100mm Silent Timer shower kit & light	Bathroom	110	31	20	fan 16W, 12V lamp rated at 20W	IPX4	single speed



ZSR100TSKA

ZSR100LTSKA

Zehnder Silent 100mm Induct Fans


Operating information:

Zehnder Halo Timer ceiling fan with light:

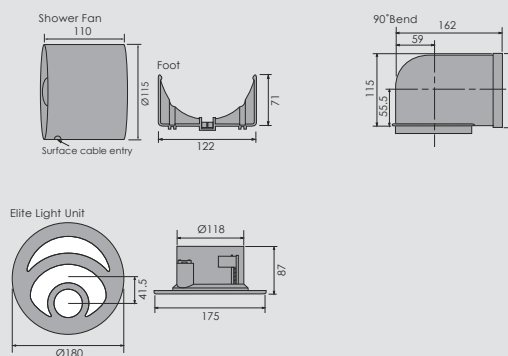
- Single speed, 230v
- Operation by light switch or remote switch
- Adjustable over-run timer (2-30mins) factory set at 15 minutes. When wired into room light or remote switch the fan will operate whilst the light is on and, when switched off, will run on over-run timer for the pre-set over-run period.
- Suitable for internal bathrooms, WCs or for installation above showers

Model STOCK listed in black	Features	RRP (ex VAT)	RRP (inc 20% VAT)
-----------------------------	----------	--------------	-------------------

125mm ceiling fan suitable for ducted ceilings

	ZHC115TBKA	Zehnder Halo timer ceiling fan shower kit with light Kit comprising 125mm induct fan with adjustable timer, internal grille with SELV (Safety Extra Low Voltage) 12V light unit LV light transformer. 90° bend, 3 metres of Flexiduct, 4 fixing clips, outlet grille and fixing screws, white & chrome bezels.	£101	£121.20
---	-------------------	--	-------------	----------------

Product	Application	Airflow m ³ h in free air	Airflow l/s in free air (BS848 Pt 1)	Sound pressure level @ 3m dB(A)	Energy Consumption (W)	IP Rating	Operation
125mm Silent Timer ceiling fan with light	Bathroom	200	56	31	fan 20W, 12V lamp rated at 20W	IPX4	single speed



ZHC115TBKA

Accessories, valves, dual energy and electric products

Maximise the potential.


Well matched valves and accessories enhance the aesthetics of radiators and towel rails, while a dual energy installation in your bathroom guarantees luxury and comfort throughout the year.




Zehnder accessories

Model	Overall length mm	Centres mm	Depth mm	Suitable for	Min. n° vertical tubes required	Fixing	RRP ex VAT	RRP inc VAT
-------	-------------------	------------	----------	--------------	---------------------------------	--------	------------	-------------


Zehnder Taurus Towel Bar - Chrome

	471008	399	297	67	Kleo, Atoll, Soléa, Yucca	Kleo: 11	Non magnetic	£116	£139.20
	471018	432	330			Kleo: 12		£135	£162.00
	471028	531	429			Kleo: 15		£159	£190.80
	471108	399	297		Regate, Fassane, Altai	Fassane: 6	Magnetic	£164	£196.80
	471118	432	330			Fassane: 7		£169	£202.80
	471128	531	429			Fassane: 8		£183	£219.60


Standard Towel Bar - Chrome

	V-461138	300	264	67	Kleo	Kleo: 10	Non magnetic	£72	£86.40
	V-462138	440	396			Kleo: 14		£74	£88.80
	V-463138	540	495			Kleo: 17		£78	£93.60
	V-461168	340	296		Fassane (excl VLX) & Regate ranges	Fassane: 6		£72	£86.40
	V-462168	410	370			Fassane: 7		£74	£88.80
	V-463168	480	444			Fassane: 8		£78	£93.60


Zehnder Taurus Double Hook - Chrome

	470318	100	n/a	67	Kleo, Atoll, Soléa, Yucca, Palma	n/a	Non magnetic	£81	£97.20
	470328				Regate, Fassane, Altai		Magnetic	£116	£139.20


Towel Ring

	V455138	200	n/a	65	Soléa, Kleo	n/a	Non magnetic	£108	£129.60
	V455118				Altai, Altai Spa				
	V455168				Regate, Fassane (excl VLX)				
	V455178				Striane				


Bay towel bar

	Bay towel bar Brushed st steel	290	n/a	60	Bay	5	Non magnetic	£71	£85.20
	Bay towel bar Polished st steel							£97	£116.40


Charleston towel bar

	8100966018	368	n/a	45	Charleston Charleston Spa Bar can be cut to length	9 max	Non magnetic	£123	£147.60
	8100966028	918				18 max		£136	£163.20

Metropolitan towel bar (not suitable for MEV models)

	468038	400	n/a	40	Metropolitan	n/a	Non magnetic	£87	£104.40
	468048	500						£89	£106.80
	468058	600						£92	£110.40


Metropolitan hook - chrome x 2 (not suitable for MEV models)

	480438	35	n/a	35	Metropolitan	n/a	Non magnetic	£39	£46.80
---	--------	----	-----	----	--------------	-----	--------------	-----	--------

Lambswool brush

	8100601020	n/a	n/a	n/a	Charleston Range	n/a	n/a	£48	£57.60
---	------------	-----	-----	-----	------------------	-----	-----	-----	--------

Pipe and base plate accessory kit 2 x 300mm Ø15mm pipe plus 2 cover plates, suitable for all models

	PIPEKIT-9016	white	£23	£27.60
	PIPEKIT-CR	chrome		
	PIPEKIT-BS	brushed steel		
	PIPEKIT-AG	antique gold		

Optional Simple immersion heater cover

	SHECZ-CR	chrome finish	£44	£52.80
---	----------	---------------	-----	--------

Pipework from the wall	Manual Valve sets								Thermostatic Valve sets		
	C/MAX-MAN-ANG-CH	C/MAX-MAN-DA-CH	SQUARE HEAD-BS-ANG	SQUARE HEAD-CH-ANG	SQUARE HEAD-BS-DA	SQUARE HEAD-CH-DA	TRADVALVE-ANG-CR	TRADVALVE-ANG-AG	C/MAX-THERM CH VP1	C/MAX-THERM CH VP2	C/MAX-THERM CH VP4
Ax (formerly Altai)	£37	£53	x	x	x	x	£96	£126	£162	£162	£121
Ax Spa (formerly Altai Spa)	£37	£53	x	x	x	x	£96	£126	£162	£162	£121
Balmoral	£37	£53	x	x	x	x	£96	£126	£162	£162	£121
Bay	£37	£53	£191	£183	£196	£188	x	x	£162	£162	£121
Buckingham	£37	£53	x	x	x	x	£96	£126	£162	£162	£121
Charleston	£37	£53	x	x	x	x	£96	£126	£162	£162	£121
Cove	£37	£53	£191	£183	£196	£188	x	x	£162	£162	£121
Fina	£37	£53	£191	£183	£196	£188	x	x	£162	£162	£121
Forma	£37	£53	x	x	x	x	£96	£126	£162	£162	£121
Keel range	£37	£53	£191	£183	£196	£188	x	x	£162	£162	£121
Kensington	£37	£53	x	x	x	x	£96	£126	£162	£162	£121
Klaro (formerly Atoll)	£37	£53	x	x	x	x	£96	£126	£162	£162	£121
Klaro Curved (formerly Palma)	£37	£53	x	x	x	x	£96	£126	£162	£162	£121
Kleo	£37	£53	x	x	x	x	x	x	£162*	£162*	£121
Lyta-S (horizontal)	£37	£53	x	x	x	x	£96	£126	£162	£162	£121
Lyta-T (vertical)	£37	£53	x	x	x	x	£96	£126	£162	£162	£121
Metropolitan	£37	£53	£191	£183	£196	£188	x	x	£162	£162	£121
Metropolitan Spa	£37	£53	£191	£183	£196	£188	x	x	£162	£162	£121
Nobis	£37	£53	x	x	x	x	x	x	£162	£162	£121
Orbis (formerly Striane)	£37	£53	x	x	x	x	x	x	£162*	£162*	£121
Osbourne	£37	£53	x	x	x	x	£96	£126	£162	£162	£121
Roda (formerly Fassane)	£37	£53	x	x	x	x	£96	£126	£162*	£162*	£121
Roda Mirror (formerly Fassane Mirror)	£37	£53	x	x	x	x	£96	£126	£162	£162	£121
Roda Spa (formerly Regate)	£37	£53	x	x	x	x	£96	£126	£162	£162	£121
Roda Status (formerly Regate Status)	£37	£53	x	x	x	x	£96	£126	£162	£162	£121
Roda Spa Asym (formerly Fassane Spa Asym)	£37	£53	x	x	x	x	£96	£126	£162	£162	£121
Sfera (formerly Soléa)	£37	£53	x	x	x	x	£96	£126	£162	£162	£121
Stellar	£37	£53	£191	£183	£196	£188	£96	£126	£162	£162	£121
Stellar Spa	£37	£53	£191	£183	£196	£188	£96	£126	£162	£162	£121
Stratos	£37	£53	£191	£183	£196	£188	x	x	£162	£162	£121
Subway	£37	£53	£191	£183	£196	£188	£96	£126	£162	£162	£121
Vitalo Spa	£37	£53	£191	£183	£196	£188	x	x	£162	£162	£121
Yucca range	£37	£53	x	x	x	x	x	x	£162	£162	£121

*Only suitable for use on double panel models.

The thermostatic valves are not bi-directional and must be installed on the flow connection position.

Please note:

All valves are ex-stock

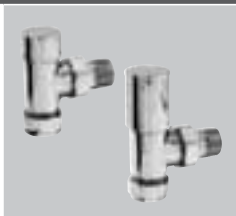
ALL prices shown here EXCLUDE VAT

Manual Valves

C/MAX-MAN-ANG-CH

Chromax 15mm angled radiator valves, chrome plated

Centre of valve to point of connection: 38mm



C/MAX-MAN-DA-CH

Chromax 15mm double-angled radiator valve set, chrome plated

Centre of valve to point of connection: 37mm



SQUARE HEAD-BS-ANG

Square head angled valve set, brushed steel

SQUARE HEAD-CH-ANG

Square head angled valve set, chrome plated

Centre of valve to point of connection: 48mm



SQUARE HEAD-BS-DA

Square head double-angled valve set, brushed steel

SQUARE HEAD-CH-DA

Square head double-angled valve set, chrome plated

Centre of valve to point of connection: 48mm



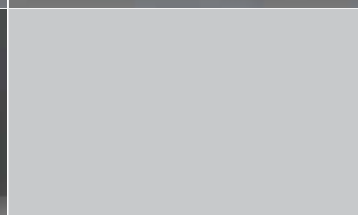
TRADVALVE-ANG-CR

Traditional valve, chrome plated

TRADVALVE-ANG-AG

Traditional valve, antique-gold plated

Centre of valve to point of connection: 37mm



Thermostatic Valves

C/MAX-THERM CH VP1

Chromax thermostatic double-angled valve set 1, chrome plated

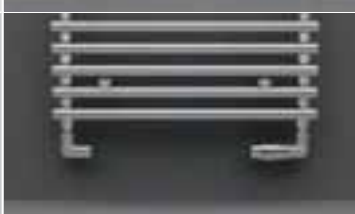
Centre of valve to point of connection: 44mm



C/MAX-THERM CH VP2

Chromax thermostatic double-angled valve set 2, chrome plated

Centre of valve to point of connection: 44mm



C/MAX-THERM CH VP4

Chromax thermostatic angled valve set 4, chrome plated

Centre of valve to point of connection: 40mm



Pipework from the floor	Manual Valve sets								Thermostatic Valve sets					
	C/MAX-MAN-STR-CH	C/MAX-MAN-ANG-CH	SQUARE HEAD-BS-STR	SQUARE HEAD-CH-STR	SQUARE HEAD-BS-ANG	SQUARE HEAD-CH-ANG	TRADVALVE-ANG-CR	TRADVALVE-ANG-AG	C/MAX-THERM CH VP3	C/MAX-THERM CH VP4	ASTON BCTRV	ASTON BBTRV	ANTQ-THERM-BS-ANG	ANTQ-THERM-VO-ANG
Ax (formerly Altai)	£37	x	x	x	x	x	x	x	£121	x	x	x	x	x
Ax Spa (formerly Altai Spa)	£37	x	x	x	x	x	x	x	£121	x	x	x	x	x
Balmoral	x	£37	x	x	x	x	£96	£126	x	£121	£173	£173	£140	£128
Bay	£37	£37	£191	£183	£191	£183	x	x	£121	£121	x	x	£140	£128
Buckingham	£37	x	x	x	x	x	x	x	x	x	x	x	x	x
Charleston	x	£37	x	x	x	x	£96	£126	x	£121	£173	£173	£140	£128
Cove	£37	x	£191	£183	x	x	x	x	£121	x	x	x	x	x
Fina	£37	x	x	x	x	x	x	x	£121	x	x	x	x	x
Forma	£37	x	x	x	x	x	x	x	£121	x	x	x	x	x
Keel range	£37	x	£191	£183	x	x	x	x	£121	x	x	x	x	x
Kensington	x	£37	x	x	x	x	£96	£126	x	£121	£173	£173	£140	£128
Klaro (formerly Atoll)	£37	x	x	x	x	x	x	x	£121	x	x	x	x	x
Klaro Curved (formerly Palma)	£37	x	x	x	x	x	x	x	£121	x	x	x	x	x
Kleo	£37	x	x	x	x	x	x	x	£121	x	x	x	x	x
Lyta-S (horizontal)	x	£37	x	x	x	x	x	x	x	£121	£173	£173	x	x
Lyta-T (vertical)	x	£37	x	x	x	x	x	x	x	£121	£173	£173	x	x
Metropolitan	£37	x	£191	£183	x	x	x	x	£121	x	x	x	x	x
Metropolitan Spa	£37	x	£191	£183	x	x	x	x	£121	x	x	x	x	x
Nobis	£37	x	x	x	x	x	x	x	£121	x	x	x	x	x
Orbis (formerly Striane)	£37	x	x	x	x	x	x	x	£121	x	x	x	x	x
Osbourne	x	£37	x	x	x	x	£96	£126	x	x	£173	£173	x	x
Roda (formerly Fassane)	£37	x	x	x	x	x	x	x	£121	x	x	x	x	x
Roda Mirror (formerly Fassane Mirror)	£37	x	x	x	x	x	x	x	£121	x	x	x	x	x
Roda Status (formerly Regate Status)	£37	x	x	x	x	x	x	x	£121	x	x	x	x	x
Roda Spa Asym ROFR (formerly Fassane Spa Asym FL)	£37	x	x	x	x	x	x	x	£121	x	x	x	x	x
Roda Spa Asym ROFL (formerly Fassane Spa Asym FR)	£37	x	x	x	x	x	x	x	£121	x	x	x	x	x
Sfera (formerly Soléa)	£37	x	x	x	x	x	x	x	£121	x	x	x	x	x
Stellar	£37	x	£191	£183	x	x	x	x	£121	x	x	x	x	x
Stellar Spa	£37	x	£191	£183	x	x	x	x	£121	x	x	x	x	x
Stratos	x	£37	x	x	£191	£191	x	x	x	£121	£173	£173	£140	£128
Subway	£37	x	£191	£183	x	x	x	x	£121	x	x	x	x	x
Vitalo Spa	£37	x	£191	£183	x	x	x	x	£121	x	x	x	x	x
Yucca range	£37	x	x	x	x	x	x	x	£121	x	x	x	x	x

The thermostatic valves are not bi-directional and must be installed on the flow connection position.

Please note:

All valves are ex-stock

ALL prices shown here EXCLUDE VAT

Manual Valves

C/MAX-MAN-STR-CH

Chromax 15mm straight radiator valves, chrome plated

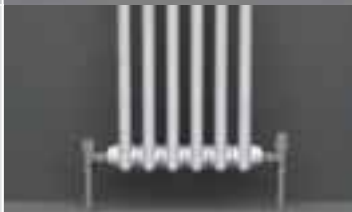
Centre of valve to point of connection: 38mm



C/MAX-MAN-ANG-CH

Chromax 15mm angled radiator valves, chrome plated

Centre of valve to point of connection: 38mm



SQUARE HEAD-BS-STR

Square head straight valve set, brushed steel

SQUARE HEAD-CH-STR
Square head straight valve set, chrome plated

Centre of valve to point of connection: 48mm



SQUARE HEAD-BS-ANG

Square head angled valve set, brushed steel

SQUARE HEAD-CH-ANG
Square head angled valve set, chrome plated

Centre of valve to point of connection: 48mm



TRADVALVE-ANG-CR

Traditional valve, chrome plated

TRADVALVE-ANG-AG

Traditional valve, antique-gold plated

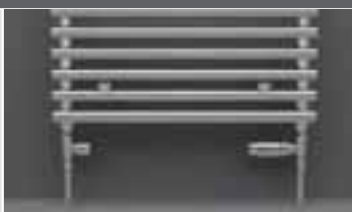
Centre of valve to point of connection: 37mm



Thermostatic Valves

C/MAX-THERM CH VP3

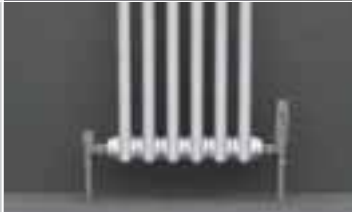
Chromax thermostatic straight valve set 3, chrome plated



C/MAX-THERM CH VP4

Chromax thermostatic angled valve set 4, chrome plated

Centre of valve to point of connection: 40mm



BCTRV

Aston thermostatic valve set, chrome plated

BBTRV

Aston thermostatic valve set, brass plated

Centre of valve to point of connection: 45mm



ANTQ-THERM-BS-ANG

Antique design thermostatic valve set, brass finish

ANTQ-THERM-VO-ANG





Antique design thermostatic valve set, volcanic finish

Centre of valve to point of connection: 44mm







Dual energy installations	Pipe work from the floor				Pipe work from the wall							
	Manual Valve sets		Thermostatic Valve sets		Manual Valve sets				Thermostatic Valve sets			
	C/MAX-MAN-MIX-CH	C/MAX-MAN-STR-CH	C/MAX-THERM CH VP5	C/MAX-THERM CH VP3	C/MAX-MAN-ANG-CH	C/MAX-MAN-DA-CH	SQUARE HEAD-BS-ANG	SQUARE HEAD-CH-ANG	C/MAX-THERM CH VP6	C/MAX-THERM CH VP7	C/MAX-THERM CH VP1	C/MAX-THERM CH VP2
Ax Spa (formerly Altai Spa)	£37	x	£121	x	£37	x	x	x	x	£134	x	x
Cove	£37	x	£121	x	£37	x	£191	£183	£134	£134	x	x
Keel range	£37	x	£121	x	£37	x	£191	£183	£134	£134	x	x
Klaro (formerly Atoll)	£37	x	£121	x	£37	x	x	x	£134	£134	x	x
Klaro Curved (formerly Palma)	£37	x	£121	x	£37	x	x	x	£134	£134	x	x
Metropolitan Spa (METM)	x	£37	x	£121	£37	£53	x	£183	x	x	£162	£162
Roda (formerly Regate)	£37	x	£121	x	£37	x	x	x	£134	£134	x	x
Roda Spa (formerly Regate)	£37	x	£121	x	£37	x	x	x	£134	£134	x	x
Roda Status (formerly Regate Status)	£37	x	£121	x	£37	x	x	x	£134	x	x	x
Roda Spa Asym ROFR (formerly Fassane Spa Asym FL)	£37	x	£121	x	£37	x	x	x	£134	x	x	x
Roda Spa Asym ROFL (formerly Fassane Spa Asym FR)	£37	x	£121	x	£37	x	x	x	x	£134	x	x
Sfera (formerly Soléa)	£37	x	£121	x	£37	x	x	x	£134	x	x	x
Stellar	£37	x	£121	x	£37	x	x	£183	£134	£134	x	x
Stellar Spa	£37	x	£121	x	£37	x	x	£183	£134	£134	x	x
Subway	x	£37	x	£121	£37	£53	x	£183	x	x	£162	£162
Yucca range	£37	x	£121	x	£37	x	x	x	£134	£134	x	x

Manual Valves pipe work from the floor

<p>C/MAX-MAN-MIX-CH Chromax mixed (dual energy) radiator valve set, chrome plated</p>			
<p>C/MAX-MAN-STR-CH Chromax 15mm straight radiator valves, chrome plated</p>			

Thermostatic Valves pipe work from the floor

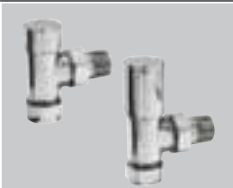
<p>C/MAX-THERM CH VP5 Chromax thermostatic mixed valve set 5, chrome plated</p>			
<p>C/MAX-THERM CH VP3 Chromax thermostatic straight valve set 3, chrome plated</p>			

Please note: All valves are ex-stock ALL prices shown here EXCLUDE VAT

Manual Valves pipe work from the wall

C/MAX-MAN-ANG-CH

Chromax 15mm angled radiator valves, chrome plated



C/MAX-MAN-DA-CH

Chromax 15mm double-angled radiator valve set, chrome plated



SQUARE HEAD-BS-ANG

Square head angled valve set, brushed steel



SQUARE HEAD-CH-ANG

Square head angled valve set, chrome plated



Thermostatic Valves pipe work from the wall

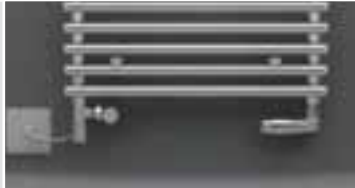
C/MAX-THERM CH VP6

Chromax double angled thermostatic mixed (dual energy) valve set 6, chrome plated



C/MAX-THERM CH VP7

Chromax double angled thermostatic mixed (dual energy) valve set 7, chrome plated



C/MAX-THERM CH VP7

C/MAX-THERM CH VP1

Chromax thermostatic double-angled valve set 1, chrome plated



C/MAX-THERM CH VP2

Chromax thermostatic double-angled valve set 2, chrome plated



Optional Simple immersion heater cover

SHECZ-CR

chrome finish
£44.00 plus vat



Speciality Valves pipe work from the wall

The Yucca valve is suitable for both central heating and dual energy installations. It is supplied with chrome TRV head and a cover plate.

Central heating

Dual energy



with short cover plate and chrome TRV head (adds 140mm to height of radiator)			with long cover plate and chrome TRV head (adds 210mm to height of radiator)		
white	chrome	colour	white	chrome	colour
8200976021	8200976028	8200976029	8200976011	8200976018	8200976019
£203	£271	£228	£203	£271	£228

All prices shown are ex vat

zehnder dual energy and electric elements

Zehnder's range of electric radiators, with their factory-fitted electric elements, give economical and efficient heating wherever required.

Dual energy towel drying radiators continue to offer warmth and comfort throughout the home during summer months when the central heating system is not in use.

To switch heating operations:

For summer use:

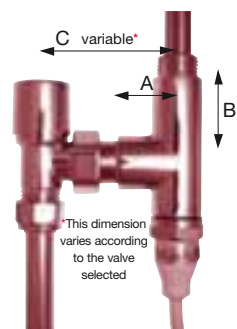
- Switch off the central heating
- Vent the radiator to ensure there isn't any air present
- Close the flow valve (only)
- Activate the immersion heater as required

For winter use:

- De-activate the immersion heater
- Open the flow valve

The immersion heater should be fitted on the return side of the radiator

Simultaneous use of the electrical element and the central heating should be avoided as this will shorten the life of the element and invalidate the warranty.



Dimensions (mm)		
A	B	C
DBM short t-piece with Chromax valve		
22	17	65
DE-Pack short t-piece with Chromax valve		
22	17	65

We recommend that all electrical work be undertaken in accordance with current I.E.E wiring regulations. If in doubt of zoning requirements, we recommend that a 30mA R.C.D is installed.

Zehnder dual energy heating options				
Model	DE pack	DBM	Safir	CTEW/CTEC
Ax Spa	✓	✓		✓
Cove	✓	✓		✓
Forma	✓	✓		✓
Keel Range	✓			✓
Klaro	✓	✓		✓
Metropolitan Spa			✓	
Roda Spa	✓	✓		✓
Roda Spa Asymmetrical	✓	✓		✓
Roda Status	✓	✓		✓
Sfera	✓	✓		✓
Stellar	✓	✓		✓
Stellar Spa	✓	✓		✓
Subway	✓	✓		✓
Virando	✓	✓		✓
Yucca Range	✓	✓*		✓

✓ Self fit
 ✓ Factory fitted dual energy immersion heater - see page 125 for details
 * DBM not suitable for use with the Yucca Valve

DE Pack (Class I IPX5 - Zone 1 and 2) Electrical element and chromium plated t-piece for element and radiator valve connection (no controls).	Model	Watts	Length (mm)	RRP (ex VAT)	RRP (inc VAT)
	DE Pack 100	100	304	£121	£145.20
	DE Pack 150	150	304		
	DE Pack 200	200	339		
	DE Pack 300	300	377		
	DE Pack 400	400	416		
	DE Pack 500	500	496		
	DE Pack 600	600	581		
	DE Pack 700	700	753		
	DE Pack 900	900	900		

DBM Pack (Class II IPX4 - Zone 1 and 2) Manual and programmable operations, 2 temperature settings, 2 hour programmable timer. Equipped with a thermal fuse. Chromium plated t-piece included with dual energy version.	Model	Watts	Finish	RRP (ex VAT)	RRP (inc VAT)
	857211	300	white	£172	£206.40
	857251	500			
	857221	600			
	857261	750			
	857231	900			
	857218	300	chrome	£196	£235.20
	857258	500			
	857228	600			
	857268	750			
857238	900				

CTEW/CTEC PACK (Class 1 IPX4 - Zone 1 and 2) Heat adjustable, fuel saving electrical element with 4 temperature settings between 30°C and 60°C. White or chrome T-piece and cable cover included.	Model	Watts	Finish	RRP (ex VAT)	RRP (inc VAT)
	CTEW-120-DF	120	white	£137	£164.40
	CTEW-200-DF	200			
	CTEW-300-DF	300			
	CTEW-400-DF	400			
	CTEW-600-DF	600			
	CTEC-120-DF	120	chrome	£137	£164.40
	CTEC-200-DF	200			
	CTEC-300-DF	300			
	CTEC-400-DF	400			
CTEC-600-DF	600				

Zehnder electric energy factory-fitted elements								
Model	Non-programmable	Programmable*					Programmable with infra red controls	
		Simple immersion	TH-RAD	Z23180	DBM	CTEW/CTEC	Memopro	Safir**
Alura			✓					
Ax Spa	✓				✓			
Balmoral	✓							
Buckingham	✓							
Charleston Electric		✓						
Forma					✓			
Kensington	✓							
Klaro	✓					✓		
Metropolitan Spa							✓	
Osborne	✓							
Roda Spa	✓				✓			
Roda Spa Asymmetrical						✓		
Sfera	✓				✓			
Subway	✓						✓	
Virando	✓				✓			
Yucca range								✓



* Programmable to varying levels of functionality. See page 120 for details

** The shape of the Safir immersion unit differs according to the radiator.

Factory fitted options

	<p>Memopro (Class II IPX4 - Zone 1 bath and Zone 2 shower) Energy savings electronic room temperature control with programmable or manual temperature boost for towel drying. (Image shows unit with hinged cover in the open position).</p>
	<p>Safir (Class II IPX4 - Zone 1 bath and Zone 2 shower) Programmable infrared electronic regulation system with constant, economy, boost and automatic settings. Equipped with a thermal fuse. (The shape of the Safir receiver differs to suit the radiator design. The image shows the Infra red control unit).</p>
	<p>Irvar-0 (Class I IPX5 - Zone 1) Remote infrared temperature and programme control 35°C to 70°C. Equipped with a thermal fuse. (Unit extends 150mm below radiator).</p>
	<p>TH-RAD (Class II IPX4 Zone 1 bath and Zone 2 shower) 9 heat settings plus 5 mode settings. Can be used independently or be wired into a central programming unit.</p>
	<p>Alura control unit (Z23180): (Class II IPX4 Zone 1 bath and Zone 2 shower) Electronic temperature control unit ensuring precise regulation of temperature. 6 temperature settings plus 5 mode settings. (No heat, frost protection, comfort, Eco, and auto for central programming).</p>
	<p>Premium (Class II IPX4 - Zone 1 bath and Zone 2 shower) Ergonomically positioned control unit. 5 heat settings plus option to reduce the set level by 3.5°C for night time use. Central and manual programming functions.</p>
	<p>CTEW/CTEC PACK (Class 1 IPX4 - Zone 1 and 2) Heat adjustable, fuel saving electrical element with 4 temperature settings between 30°C and 60°C. White or chrome T-piece and cable cover included.</p>

Factory-fitted/self-fit options

	<p>DBM (Class II IPX4 - Zone 1 bath and Zone 2 shower) Manual and programmable operations, 2 temperature settings, 2 hour programmable timer. Equipped with a thermal fuse. Chromium plated t-piece included with dual energy version.</p>
	<p>Simple immersion (Class I IPX5 - Zone 1 bath and Zone 2 shower) Electric element without controls. Chromium plated t-piece included with dual energy version. Optional Zehnder simple immersion heater element and cable cover - Chrome Finish</p>

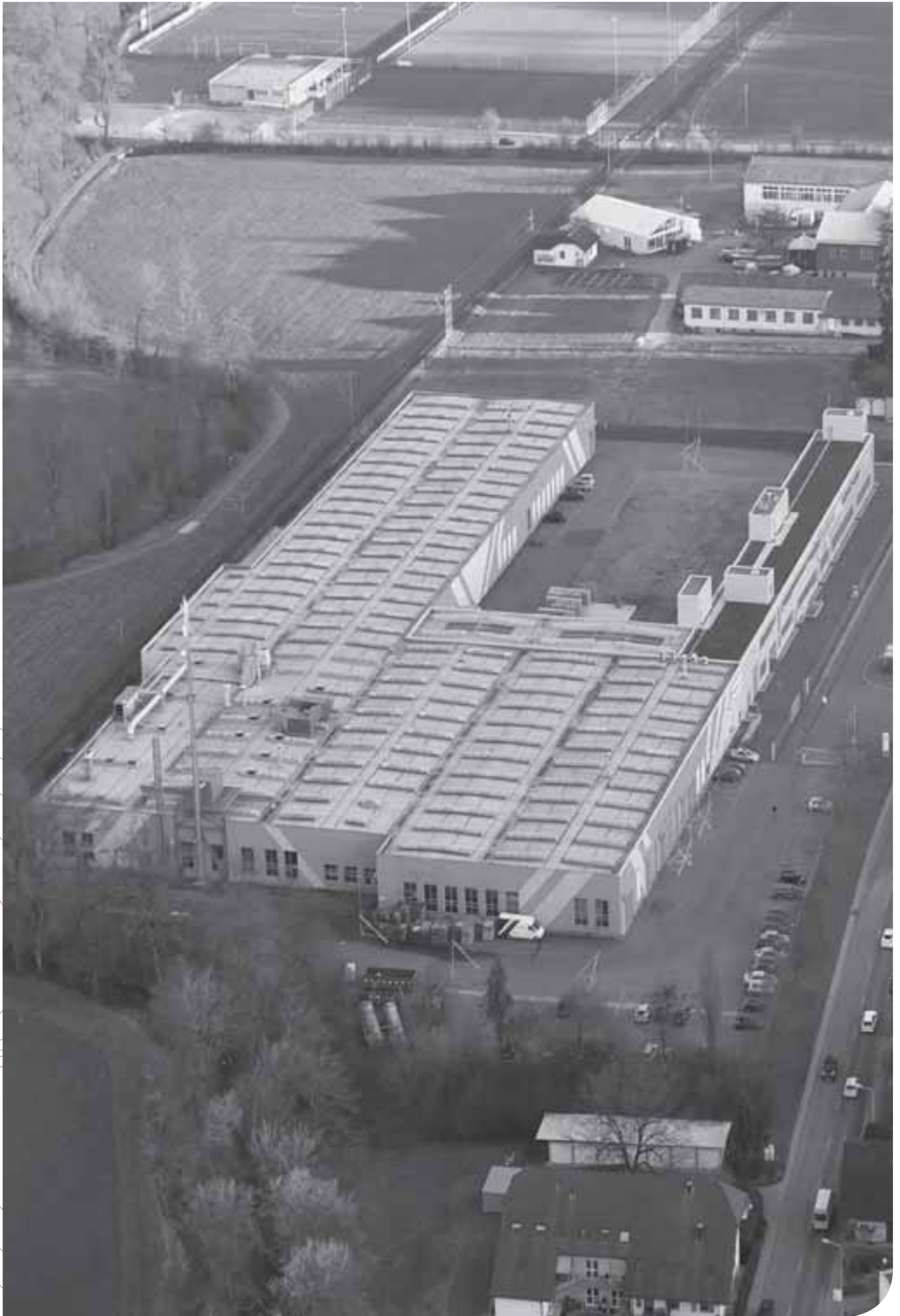
Technical specifications

Zehnder's aim is to provide reliability and precision at every stage of the design process and give specifiers and installers confidence in the sizing of radiators in order to avoid issues of under-performance in operation.

All Zehnder radiators have the CE mark, having been independently tested in accredited laboratories to EN442 in accordance with CE requirements, and our published heat output figures are fully in line with the testing criteria.

Consumers can be assured that the radiators will perform as stated.





Zehnder Forma

Stock Models														
Model code	Height mm	Length mm	Finish	Overall Projection mm	Pipe Centres mm		Outputs ΔT=50K		Outputs ΔT=30K		n Exponent	Weight kg	Water Content litres	Max. Immersion Rating
					radiator	from wall	Watts	Btu	Watts	Btu				
LF-070-050	721	496	white	85 to 95	458	44 to 54	378	1290	202	688	1.23	7.4	4.2	250
LF-070-060	721	596	white	85 to 95	558	44 to 54	442	1508	236	805	1.23	8.5	4.7	300
LF-120-050	1161	496	white	85 to 95	458	44 to 54	612	2088	327	1114	1.23	12.1	6.8	400
LF-120-060	1161	596	white	85 to 95	558	44 to 54	707	2412	377	1287	1.23	14.0	7.7	500
LF-150-050	1441	496	white	85 to 95	458	44 to 54	796	2716	425	1449	1.23	15.7	8.8	500
LF-150-060	1441	596	white	85 to 95	558	44 to 54	927	3163	495	1687	1.23	18.0	10.0	600
LF-180-050	1761	496	white	85 to 95	458	44 to 54	973	3320	519	1771	1.23	19.6	11.0	600
LF-180-060	1761	596	white	85 to 95	558	44 to 54	1133	3866	604	2062	1.23	22.6	12.5	700
LFC-070-050	721	496	chrome	85 to 95	458	44 to 54	254	867	134	458	1.25	7.4	4.2	200
LFC-070-060	721	596	chrome	85 to 95	558	44 to 54	290	989	153	523	1.25	8.5	4.7	200
LFC-120-050	1161	496	chrome	85 to 95	458	44 to 54	402	1372	208	710	1.29	12.1	6.8	300
LFC-120-060	1161	596	chrome	85 to 95	558	44 to 54	464	1583	240	819	1.29	14.0	7.7	300
LFC-150-050	1441	496	chrome	85 to 95	458	44 to 54	512	1747	266	908	1.28	15.7	8.8	300
LFC-150-060	1441	596	chrome	85 to 95	558	44 to 54	540	1842	290	988	1.22	18.0	10.0	400
LFC-180-050	1761	496	chrome	85 to 95	458	44 to 54	636	2170	339	1158	1.23	19.6	11.0	400
LFC-180-060	1761	596	chrome	85 to 95	558	44 to 54	744	2539	397	1354	1.23	22.6	12.5	500

Max. Working Pressure: 12 bar
Max. Working Temperature: 120°C

Test House: HLK STUTT GART
Test House No: 0626

Zehnder Vitalo Spa

Stock Models													
Model code	Height mm	Length mm	Finish	Overall Projection mm	Pipe Centres mm		Outputs ΔT=50K		Outputs ΔT=30K		n Exponent	Weight kg	Water Content litres
					radiator	from wall	Watts	Btu	Watts	Btu			
VIT-120-050	1200	490	white	69	50	77	483	1648	260	887	1.21	7.1	0.6
VIT-120-060	1200	590	white	69	50	77	595	2030	317	1082	1.23	8.6	0.7
VIT-150-050	1500	490	white	69	50	77	605	2064	324	1105	1.22	8.4	0.7
VIT-150-060	1500	590	white	69	50	77	703	2399	379	1293	1.21	9.8	0.8
VIT-180-050	1800	490	white	69	50	77	714	2436	387	1320	1.20	10.2	0.8
VIT-180-060	1800	590	white	69	50	77	869	2965	468	1597	1.21	11.9	1.0
VIT-180-070	1800	690	white	69	50	77	1036	3535	553	1887	1.23	14.0	1.1

Max. Working Pressure: 10 bar
Max. Working Temperature: 80°C

Test House: WSP-LAB
Test House No: 1428

Zehnder Klaro (formerly Atoll)

Stock Models														
Model code	Height mm	Length mm	Finish	Overall Projection mm	Pipe Centres mm		Outputs ΔT=50K		Outputs ΔT=30K		n Exponent	Weight kg	Water Content litres	Max. Immersion Rating
					radiator	from wall	Watts	Btu	Watts	Btu				
ZSL-080-045	748	450	white/colour	87 to 102	412	68 to 83	354	1208	187	638	1.25	5.4	3.6	200
ZSL-080-050	748	500	white/colour	87 to 102	462	68 to 83	388	1324	205	699	1.25	5.8	3.8	200
ZSL-080-060	748	600	white/colour	87 to 102	562	68 to 83	455	1552	240	819	1.25	6.7	4.3	300
ZSL-120-045	1148	450	white/colour	87 to 102	412	68 to 83	521	1778	272	928	1.27	8.1	5.4	300
ZSL-120-050	1148	500	white/colour	87 to 102	462	68 to 83	571	1948	298	1017	1.27	8.7	5.8	400
ZSL-120-060	1148	600	white/colour	87 to 102	562	68 to 83	670	2286	352	1201	1.26	9.8	6.6	500
ZSL-150-050	1466	500	white/colour	87 to 102	462	68 to 83	716	2443	917	3129	1.28	10.9	7.4	500
ZSL-150-060	1466	600	white/colour	87 to 102	562	68 to 83	839	2863	1074	3664	1.28	12.3	8.5	500
ZSL-170-045	1708	450	white/colour	87 to 102	412	68 to 83	751	2562	385	1314	1.31	11.2	7.9	500
ZSL-170-050	1708	500	white/colour	87 to 102	462	68 to 83	824	2811	424	1447	1.30	12.2	8.5	500
ZSL-170-060	1708	600	white/colour	87 to 102	562	68 to 83	966	3296	502	1713	1.28	14.2	9.6	600
ZSLC-080-050	748	500	chrome	87 to 102	462	68 to 83	283	966	146	498	1.30	5.8	3.8	200
ZSLC-080-060	748	600	chrome	87 to 102	562	68 to 83	332	1133	172	587	1.29	6.7	4.3	200
ZSLC-120-050	1148	500	chrome	87 to 102	462	68 to 83	417	1423	216	737	1.29	8.7	5.8	300
ZSLC-120-060	1148	600	chrome	87 to 102	562	68 to 83	489	1668	250	853	1.31	9.8	6.6	300
ZSLC-150-050	1466	500	chrome	87 to 102	462	68 to 83	475	1621	241	822	1.33	10.5	7.3	300
ZSLC-150-060	1466	600	chrome	87 to 102	562	68 to 83	560	1911	284	969	1.33	12.1	8.4	400
ZSLC-170-050	1708	600	chrome	87 to 102	562	68 to 83	601	2050	308	1051	1.31	12.2	8.5	400
ZSLC-170-060	1708	600	chrome	87 to 102	562	68 to 83	705	2405	361	1232	1.31	14.2	9.6	500

Max. Working Pressure: 4 bar
Max. Working Temperature: 110°C

Test House: HLK STUTT GART
Test House No: 0626

Zehnder Klaro (formerly Atoll)

Stock Models														
Model code	Height mm	Length mm	Finish	Overall Projection mm	Pipe Centres mm		Outputs $\Delta T=50K$		Outputs $\Delta T=30K$		n Exponent	Weight kg	Water Content litres	Max. Immersion Rating
					radiator	from wall	Watts	Btu	Watts	Btu				
ZSLI-060-040	586	400	polished	87-102	362	68 to 83	170	580	88	300	1.29	3.3	2.5	100
ZSLI-060-120	586	1200	polished	87-102	1162	68 to 83	497	1696	258	880	1.28	7.8	6.6	300
ZSLI-080-030	746	300	polished	87-102	262	68 to 83	176	601	90	307	1.30	3.5	2.8	100
ZSLI-080-050	746	500	polished	87-102	462	68 to 83	280	955	146	498	1.28	5.2	3.9	200
ZSLI-120-030	1146	300	polished	87-102	262	68 to 83	262	894	133	454	1.32	5.7	4.1	150
ZSLI-120-050	1146	500	polished	87-102	462	68 to 83	416	1419	215	734	1.29	8.1	5.8	300
ZSLI-120-060	1146	600	polished	87-102	562	68 to 83	491	1675	255	870	1.28	9.3	6.6	300
ZSLI-150-030	1466	300	polished	87-102	262	68 to 83	327	1116	166	566	1.33	7.4	5.2	200
ZSLI-170-030	1700	300	polished	87-102	262	68 to 83	374	1276	189	645	1.34	7.6	6.3	300
ZSLI-170-050	1706	500	polished	87-102	462	68 to 83	594	2027	306	1044	1.30	11.2	8.7	400

Max. Working Pressure: 10 bar Test House: HLK STUTTGART
 Max. Working Temperature: 120°C Test House No: 0626

Zehnder Klaro Curved (formerly Palma)

Stock Models														
Model code	Height mm	Length mm	Finish	Overall Projection mm	Pipe Centres mm		Outputs $\Delta T=50K$		Outputs $\Delta T=30K$		n Exponent	Weight kg	Water Content litres	Max. Immersion Rating
					radiator	from wall	Watts	Btu	Watts	Btu				
ZCL 080-050	748	496	white/colour	98 to 113	458	54 to 66	393	1341	206	703	1.26	5.7	3.9	300
ZCL 080-060	748	597	white/colour	98 to 113	559	54 to 66	463	1580	246	839	1.24	6.6	4.4	300
ZCL 120-050	1148	496	white/colour	98 to 113	458	54 to 66	585	1996	306	1044	1.27	8.5	5.8	400
ZCL 120-060	1148	597	white/colour	98 to 113	559	54 to 66	690	2354	363	1239	1.26	9.8	6.6	500
ZCL 170-050	1708	496	white/colour	98 to 113	458	54 to 66	847	2890	438	1494	1.29	12.3	8.3	600
ZCL 170-060	1708	597	white/colour	98 to 113	559	54 to 66	999	3409	522	1781	1.27	14.1	9.6	600
ZCLC- 080-050	748	496	chrome	98 to 113	458	54 to 66	287	979	148	505	1.29	5.7	3.9	200
ZCLC-080-060	748	597	chrome	98 to 113	559	54 to 66	338	1153	177	604	1.27	6.6	4.4	200
ZCLC-120-050	1148	496	chrome	98 to 113	458	54 to 66	427	1457	220	751	1.30	8.5	5.8	300
ZCLC-120-060	1148	597	chrome	98 to 113	559	54 to 66	504	1720	261	891	1.29	9.8	6.6	300
ZCLC-170-050	1708	496	chrome	98 to 113	458	54 to 66	618	2108	318	1085	1.30	11.0	8.3	500
ZCLC-170-060	1708	597	chrome	98 to 113	559	54 to 66	729	2487	375	1280	1.30	14.1	9.6	500

Max. Working Pressure: 4 bar Test House: HLK STUTTGART
 Max. Working Temperature: 110°C Test House No: 0626

Zehnder Subway

Stock Models														
Model code	Height mm	Length mm	Finish	Overall Projection mm	Pipe Centres mm		Outputs $\Delta T=50K$		Outputs $\Delta T=30K$		n Exponent	Weight kg	Water Content litres	Max. Immersion Rating
					radiator	from wall	Watts	Btu	Watts	Btu				
SUB-060-045	613	450	white/colour	70 to 80	50 or 418	55 to 65	310	1058	164	560	1.25	5.2	2.3	200
SUB-100-045	973	450	white/colour	70 to 80	50 or 418	55 to 65	401	1368	212	723	1.25	6.7	3.5	300
SUB-100-060	973	600	white/colour	70 to 80	50 or 568	55 to 65	499	1703	264	901	1.25	8.3	4.3	300
SUB-130-045	1261	450	white/colour	70 to 80	50 or 418	55 to 65	509	1737	269	918	1.25	8.6	4.5	300
SUB-130-060	1261	600	white/colour	70 to 80	50 or 568	55 to 65	639	2180	337	1150	1.25	10.5	5.4	400
SUB-150-045	1549	450	white/colour	70 to 80	50 or 418	55 to 65	615	2098	325	1109	1.25	10.6	5.4	400
SUB-150-060	1549	600	white/colour	70 to 80	50 or 568	55 to 65	772	2634	408	1392	1.25	12.5	7.2	500
SUB-180-045	1837	450	white/colour	70 to 80	50 or 418	55 to 65	715	2440	380	1297	1.24	12.2	6.3	500
SUB-180-060	1837	600	white/colour	70 to 80	50 or 568	55 to 65	898	3064	477	1628	1.24	14.7	7.7	600
SUBC-060-045	613	450	chrome	70 to 80	50 or 418	55 to 65	205	699	107	365	1.27	5.0	2.3	100
SUBC-100-045	973	450	chrome	70 to 80	50 or 418	55 to 65	265	904	139	474	1.27	6.5	3.5	200
SUBC-100-060	973	600	chrome	70 to 80	50 or 568	55 to 65	329	1123	173	590	1.26	8.1	4.3	200
SUBC-130-045	1261	450	chrome	70 to 80	50 or 418	55 to 65	335	1143	175	597	1.27	8.4	4.5	200
SUBC-130-060	1261	600	chrome	70 to 80	50 or 568	55 to 65	406	1385	213	727	1.26	10.2	5.4	300
SUBC-150-045	1549	450	chrome	70 to 80	50 or 418	55 to 65	420	1433	220	751	1.27	10.1	5.4	300
SUBC-150-060	1549	600	chrome	70 to 80	50 or 568	55 to 65	508	1733	267	911	1.26	12.3	7.2	300
SUBC-180-045	1837	450	chrome	70 to 80	50 or 418	55 to 65	485	1655	254	867	1.27	11.8	6.3	300
SUBC-180-060	1837	600	chrome	70 to 80	50 or 568	55 to 65	592	2020	311	1061	1.26	14.3	7.7	400

Max. Working Pressure: 20 bar Test House: HLK STUTTGART
 Max. Working Temperature: 120°C Test House No: 0626

Zehnder Sfera (formerly Soléa)

Stock Models														
Model code	Height mm	Length mm	Finish	Overall Projection mm	Pipe Centres mm		Outputs $\Delta T=50K$		Outputs $\Delta T=30K$		n Exponent	Weight kg	Water Content litres	Max. Immersion Rating
					radiator	from wall	Watts	Btu	Watts	Btu				
SH-086-050	859	498	white/colour	138 to 153	446	70 to 85	460	1569	245	836	1.23	8.0	4.1	300
SH-086-060	859	593	white/colour	138 to 153	541	70 to 85	554	1890	296	1010	1.23	9.2	4.6	300
SH-126-050	1255	498	white/colour	138 to 153	446	70 to 85	710	2423	379	1293	1.23	12.5	6.3	500
SH-126-060	1255	593	white/colour	138 to 153	541	70 to 85	850	2900	453	1546	1.23	14.4	7.0	600
SH-175-050	1750	498	white/colour	138 to 153	446	70 to 85	946	3228	505	1723	1.23	17.3	8.7	600
SH-175-060	1750	593	white/colour	138 to 153	541	70 to 85	1126	3841	601	2051	1.23	19.8	9.7	750
SHC-086-050	859	498	chrome	138 to 153	446	70 to 85	316	1078	169	577	1.23	8.0	4.1	200
SHC-086-060	859	593	chrome	138 to 153	541	70 to 85	350	1194	187	638	1.23	9.2	4.6	200
SHC-126-050	1255	498	chrome	138 to 153	446	70 to 85	476	1624	254	867	1.23	12.5	6.3	300
SHC-126-060	1255	593	chrome	138 to 153	541	70 to 85	573	1955	306	1044	1.23	14.4	7.0	300
SHC-175-050	1750	498	chrome	138 to 153	446	70 to 85	650	2218	347	1184	1.23	17.3	8.7	500
SHC-175-060	1750	593	chrome	138 to 153	541	70 to 85	775	2644	413	1409	1.23	19.8	9.7	500

Max. Working Pressure: 4 bar Test House: WSP-LAB
 Max. Working Temperature: 110°C Test House No: 1428

Zehnder Yucca Asym

Stock Models														
Model code	Height mm	Length mm	Finish	Overall Projection mm	Pipe Centres mm		Outputs $\Delta T=50K$		Outputs $\Delta T=30K$		n Exponent	Weight kg	Water Content litres	Max. Immersion Rating
					radiator	from wall	Watts	Btu	Watts	Btu				
Single tube														
YA-090-050	872	478	white/colour	82 to 97	50	48 to 63	353	1204	183	624	1.29	9.2	2.8	200
YA-130-040	1304	378	white/colour	82 to 97	50	48 to 63	439	1498	232	792	1.25	11.3	3.6	300
YA-130-050	1304	478	white/colour	82 to 97	50	48 to 63	525	1791	272	928	1.29	13.6	4.2	300
YA-130-060	1304	578	white/colour	82 to 97	50	48 to 63	607	2071	314	1071	1.29	15.9	4.7	400
YA-170-040	1736	378	white/colour	82 to 97	50	48 to 63	574	1958	298	1017	1.28	15.0	4.8	400
YA-170-050	1736	478	white/colour	82 to 97	50	48 to 63	696	2375	360	1228	1.29	18.1	5.6	500
YA-170-060	1736	578	white/colour	82 to 97	50	48 to 63	798	2723	411	1402	1.30	21.1	6.3	500
YAC-090-050	872	478	chrome	82 to 97	50	48 to 63	247	842	128	437	1.29	9.2	2.8	150
YAC-130-040	1304	378	chrome	82 to 97	50	48 to 63	307	1047	162	553	1.25	11.3	3.6	200
YAC-130-050	1304	478	chrome	82 to 97	50	48 to 63	367	1254	190	648	1.29	13.6	4.2	200
YAC-130-060	1304	578	chrome	82 to 97	50	48 to 63	424	1447	219	747	1.29	15.9	4.7	300
YAC-170-040	1736	378	chrome	82 to 97	50	48 to 63	402	1372	209	713	1.28	15.0	4.8	300
YAC-170-050	1736	478	chrome	82 to 97	50	48 to 63	487	1662	252	860	1.29	18.1	5.6	300
YAC-170-060	1736	578	chrome	82 to 97	50	48 to 63	559	1907	288	983	1.30	21.1	6.3	300
Double tube														
YAD-130-040	1304	378	white/colour	124 to 139	50	92 to 107	625	2133	322	1099	1.30	19.7	5.7	400
YAD-130-060	1304	578	white/colour	124 to 139	50	92 to 107	880	3003	442	1508	1.35	28.9	8.0	600
YAD-170-040	1736	378	white/colour	124 to 139	50	92 to 107	832	2838	430	1467	1.29	26.2	7.7	500
YAD-170-050	1736	478	white/colour	124 to 139	50	92 to 107	995	3395	510	1740	1.31	32.3	9.1	600
YAD-170-060	1736	578	white/colour	124 to 139	50	92 to 107	1151	3927	580	1979	1.34	38.4	10.6	750
YSD-180-080	1772	800	white/colour	124 to 139	50	92 to 107	1322	4511	674	2300	1.32	41.8	11.4	900

Max. Working Pressure: 12 bar Test House: WSP-LAB
 Max. Working Temperature: 120°C Test House No: 1428

Zehnder Yucca Sym

Stock Models														
Model code	Height mm	Length mm	Finish	Overall Projection mm	Pipe Centres mm		Outputs $\Delta T=50K$		Outputs $\Delta T=30K$		n Exponent	Weight kg	Water Content litres	Max. Immersion Rating
					radiator	from wall	Watts	Btu	Watts	Btu				
Single tube														
YS-090-050	908	500	white/colour	82 to 97	50	48 to 63	321	1129	170	580	1.24	8.4	2.6	200
YS-130-050	1340	500	white/colour	82 to 97	50	48 to 63	477	1628	251	856	1.26	12.6	4.0	300
YS-130-060	1340	600	white/colour	82 to 97	50	48 to 63	541	1846	284	969	1.26	14.2	4.3	300
YS-130-080	1340	800	white/colour	82 to 97	50	48 to 63	661	2255	346	1181	1.27	17.2	5.1	500
YS-180-050	1772	500	white/colour	82 to 97	50	48 to 63	621	2119	328	1119	1.25	16.8	5.2	400
YS-180-060	1772	600	white/colour	82 to 97	50	48 to 63	706	2409	371	1266	1.26	18.8	5.7	500
YS-180-080	1772	800	white/colour	82 to 97	50	48 to 63	863	2945	447	1525	1.29	22.9	6.7	600
YSC-090-050	908	500	chrome	82 to 97	50	48 to 63	224	764	119	406	1.24	8.4	2.6	150
YSC-130-050	1340	500	chrome	82 to 97	50	48 to 63	333	1136	175	597	1.26	12.6	4.0	200
YSC-130-060	1340	600	chrome	82 to 97	50	48 to 63	378	1290	199	679	1.26	14.2	4.3	300
YSC-130-080	1340	800	chrome	82 to 97	50	48 to 63	462	1576	241	822	1.27	17.2	5.1	300
YSC-180-050	1772	500	chrome	82 to 97	50	48 to 63	434	1481	229	781	1.25	16.8	5.2	300
YSC-180-060	1772	600	chrome	82 to 97	50	48 to 63	494	1686	260	887	1.26	18.8	5.7	300
YSC-180-080	1772	800	chrome	82 to 97	50	48 to 63	604	2061	313	1068	1.29	22.9	6.7	400
Double tube														
YSD-130-050	1340	500	white/colour	124 to 139	50	92 to 107	717	2446	375	1280	1.27	22.3	6.4	500
YSD-130-060	1340	600	white/colour	124 to 139	50	92 to 107	823	2808	428	1460	1.28	25.3	7.1	500
YSD-130-080	1340	800	white/colour	124 to 139	50	92 to 107	1024	3494	527	1798	1.30	31.4	8.5	600
YSD-180-050	1772	500	white/colour	124 to 139	50	92 to 107	926	3159	479	1634	1.29	29.6	8.4	600
YSD-180-060	1772	600	white/colour	124 to 139	50	92 to 107	1063	3627	547	1866	1.30	33.7	9.4	600
YSD-180-080	1772	800	white/colour	124 to 139	50	92 to 107	1322	4511	674	2300	1.32	41.8	11.4	900
Max. Working Pressure: 12 bar				Test House: WSP-LAB										
Max. Working Temperature: 120°C				Test House No: 1428										

Zehnder Metropolitan Spa

Stock Models														
Model code	Height mm	Length mm	Finish	Overall Projection mm	Pipe Centres mm		Outputs $\Delta T=50K$		Outputs $\Delta T=30K$		n Exponent	Weight kg	Water Content litres	Max. Immersion Rating
					radiator	from wall	Watts	Btu	Watts	Btu				
MET-080-040	805	400	white/colour	79 to 89	50 or 320	60 to 70	327	1116	173	590	1.25	6.5	3.5	250
MET-080-050	805	500	white/colour	79 to 89	50 or 420	60 to 70	388	1324	204	696	1.26	7.8	3.8	300
MET-080-060	805	600	white/colour	79 to 89	50 or 520	60 to 70	445	1518	233	795	1.27	9.1	4.2	300
MET-120-040	1225	400	white/colour	79 to 89	50 or 320	60 to 70	474	1617	249	850	1.26	9.8	4.8	300
MET-120-050	1225	500	white/colour	79 to 89	50 or 420	60 to 70	561	1914	295	1007	1.26	11.7	5.2	400
MET-120-060	1225	600	white/colour	79 to 89	50 or 520	60 to 70	645	2201	337	1150	1.27	13.5	5.7	400
MET-150-040	1540	400	white/colour	79 to 89	50 or 320	60 to 70	582	1986	306	1044	1.26	11.5	5.4	400
MET-150-050	1540	500	white/colour	79 to 89	50 or 420	60 to 70	690	2354	361	1232	1.27	13.5	5.9	500
MET-180-050	1750	500	white/colour	79 to 89	50 or 420	60 to 70	775	2644	407	1389	1.26	16.3	7.3	500
MET-180-060	1750	600	white/colour	79 to 89	50 or 520	60 to 70	889	3033	465	1587	1.27	19.0	8.0	600
Max. Working Pressure: 4 bar				Test House: HLK STUTTGART										
Max. Working Temperature: 120°C				Test House No: 0626										

Zehnder Ax Spa (formerly Altai Spa)

Stock Models														
Model code	Height mm	Length mm	Finish	Overall Projection mm	Pipe Centres mm		Outputs $\Delta T=50K$		Outputs $\Delta T=30K$		n Exponent	Weight kg	Water Content litres	Max. Immersion Rating
					radiator	from wall	Watts	Btu	Watts	Btu				
Single tube														
ZAH-048-040	484	400	white/colour	97 to 112	350	70 to 85	230	785	118	403	1.31	4.5	2.2	n/a
ZA-080-050	836	500	white/colour	97 to 112	450	70 to 85	427	1457	225	768	1.25	8.6	2.4	300
ZA-120-050	1188	500	white/colour	97 to 112	450	70 to 85	586	1999	311	1061	1.24	12.0	3.3	300
ZA-120-060	1188	600	white/colour	97 to 112	550	70 to 85	685	2337	364	1242	1.24	13.7	3.5	500
ZA-150-040	1540	400	white/colour	97 to 112	350	70 to 85	614	2095	326	1112	1.24	12.3	4.0	400
ZA-150-050	1540	500	white/colour	97 to 112	450	70 to 85	738	2518	392	1338	1.24	14.4	4.3	500
ZA-180-050	1804	500	white/colour	97 to 112	450	70 to 85	884	3016	472	1610	1.23	18.6	5.1	600
Double tube														
ZAD-150-050	1540	500	white/colour	97 to 112	450	70 to 85	1049	3579	548	1870	1.27	25.3	5.4	n/a
ZAD-180-050	1804	500	white/colour	97 to 112	450	70 to 85	1262	4306	653	2228	1.29	30.5	6.5	n/a
ZAD-180-060	1804	600	white/colour	97 to 112	550	70 to 85	1485	5067	772	2634	1.28	35.6	7.1	n/a
Max. Working Pressure: 4 bar				Test House: CETIAT										
Max. Working Temperature: 110°C				Test House No: 1623										

Zehnder Roda Spa (formerly Regate)

Stock Models														
Model code	Height mm	Length mm	Finish	Overall Projection mm	Pipe Centres mm		Outputs $\Delta T=50K$		Outputs $\Delta T=30K$		n Exponent	Weight kg	Water Content litres	Max. Immersion Rating
					radiator	from wall	Watts	Btu	Watts	Btu				
RO-060-100	667	1000	white/colour	88 to 103	932	70 to 85	656	2238	343	1170	1.27	14.6	5.5	400
RO-070-050	741	500	white/colour	88 to 103	432	70 to 85	377	1286	197	672	1.27	8.2	3.7	400
RO-100-050	1037	500	white/colour	88 to 103	432	70 to 85	504	1720	265	904	1.26	12.2	5.1	400
RO-120-050	1259	500	white/colour	88 to 103	432	70 to 85	583	1989	308	1051	1.25	14.0	6.1	400
RO-150-050	1481	500	white/colour	88 to 103	432	70 to 85	691	2358	367	1252	1.24	16.5	7.3	400
RO-180-050	1851	500	white/colour	88 to 103	432	70 to 85	817	2788	438	1494	1.22	21.5	9.2	400
RO-180-060	1851	600	white/colour	88 to 103	532	70 to 85	980	3344	525	1791	1.22	23.5	10.3	400
RO-180-080	1851	800	white/colour	88 to 103	732	70 to 85	1307	4460	701	2392	1.22	31.5	12.5	400

Max. Working Pressure: 4 bar Test House: CETIAT
 Max. Working Temperature: 110°C Test House No: 1623

Zehnder Roda Spa Asym (formerly Fassane Spa)

Stock Models														
Model code	Height mm	Length mm	Finish	Overall Projection mm	Pipe Centres mm		Outputs $\Delta T=50K$		Outputs $\Delta T=30K$		n Exponent	Weight kg	Water Content litres	Immersion Rating
					radiator	from wall	Watts	Btu	Watts	Btu				
ROFL-080-055	805	550	white/colour	98 to 113	50	75 to 85	429	1464	228	778	1.23	10		300
ROFL-120-055	1183	550	white/colour	98 to 113	50	75 to 85	594	2027	314	1071	1.25	14		400
ROFL-170-055	1676	550	white/colour	98 to 113	50	75 to 85	809	2760	424	1447	1.27	20		500
ROFR-080-055	805	550	white/colour	98 to 113	50	75 to 85	429	1464	228	778	1.23	10		300
ROFR-120-055	1183	550	white/colour	98 to 113	50	75 to 85	594	2027	314	1071	1.25	14		400
ROFR-170-055	1676	550	white/colour	98 to 113	50	75 to 85	809	2760	424	1447	1.27	20		500

Zehnder Fina

Stock Models														
Model code	Height mm	Length mm	Finish	Overall Projection mm	Pipe Centres mm		Outputs $\Delta T=50K$		Outputs $\Delta T=30K$		n Exponent	Weight kg	Water Content litres	
					radiator	from wall	Watts	Btu	Watts	Btu				
FIV-130-050	1300	500	white/colour	85	50 or 350	47	513	1750	275	938	1.22	17.5	1.3	
FIV-150-050	1500	500	white/colour	85	50 or 350	47	580	1979	309	1054	1.23	20.0	1.5	
FIV-150-060	1500	600	white/colour	85	50 or 450	47	695	2371	371	1266	1.23	24.0	1.8	
FIV-180-050	1800	500	white/colour	85	50 or 350	47	681	2324	363	1239	1.23	23.6	1.7	
FIV-180-060	1800	600	white/colour	85	50 or 450	47	817	2788	436	1488	1.23	28.3	2.0	

Max. Working Pressure: 10 bar Test House: WSP-LAB
 Max. Working Temperature: 85°C Test House No: 1428

Zehnder Charleston Bar

Stock Models															
Model code	Height mm	Length mm	Finish	Overall Projection mm	Pipe Centres mm		Outputs $\Delta T=50K$		Outputs $\Delta T=30K$		n Exponent	Weight kg	Water Content litres		
					radiator	from wall	Watts	Btu	Watts	Btu					
M2075-06	742	306	white/colour	90	306 plus valves*		59		330	1128	174	594	1.25	7.2	4.2
M2090-09	900	444	white/colour	90	444 plus valves*		59		575	1961	304	1037	1.25	12.6	7.2
M2120-09	1200	444	white/colour	90	444 plus valves*		59		744	2358	391	1334	1.26	17.1	9.9
M2150-09	1500	444	white/colour	90	444 plus valves*		59		936	3198	487	1662	1.28	20.7	11.7
M2180-09	1800	444	white/colour	90	444 plus valves*		59		1116	3807	572	1952	1.31	24.3	13.5

*Nominal overall radiator length = (Number of sections x 46mm) + 30mm. Manufacturing tolerance of +/- 0.6mm per section

Max. Working Pressure: 10 bar Test House: WSP-LAB
 Max. Working Temperature: 110°C Test House No: 1428

Zehnder Nobis

Stock Models													
Model code	Height mm	Length mm	Finish	Overall Projection mm	Pipe Centres mm		Outputs $\Delta T=50K$		Outputs $\Delta T=30K$		n Exponent	Weight kg	Water Content litres
					radiator	from wall	Watts	Btu	Watts	Btu			
NOB-100-050	965	500	chrome	97 to 109	50	76 to 88	210	717	109	372	1.28	9.0	2.0
NOB-150-050	1520	500	chrome	97 to 109	50	76 to 88	325	1109	167	570	1.30	14.0	3.2

Max. Working Pressure: 12 bar Test House: HLK STUTTGART
 Max. Working Temperature: 120°C Test House No: 0626

Zehnder Balmoral

Stock Models														
Model code	Height mm	Length mm	Finish	Overall Projection mm	Pipe Centres mm		Outputs $\Delta T=50K$		Outputs $\Delta T=30K$		n Exponent	Weight kg	Water Content litres	Immersion Rating
					radiator	from wall	Watts	Btu	Watts	Btu				
Zehnder Balmoral central heating														
BALM CPEO	850	735	white/colour	250	488	100	871	2972	tba	tba	n/a	24	10	n/a
Zehnder Balmoral dual energy														
BALM CPDE	850	735	white/colour	250	488	100	871	2972	tba	tba	n/a	24.5	10	400

Max. Working Pressure: 3 bar Test House: n/a
 Max. Working Temperature: 70°C Test House No: n/a

Zehnder Osbourne

Stock Models														
Model code	Height mm	Length mm	Finish	Overall Projection mm	Pipe Centres mm		Outputs $\Delta T=50K$		Outputs $\Delta T=30K$		n Exponent	Weight kg	Water Content litres	Immersion Rating
					radiator	from wall	Watts	Btu	Watts	Btu				
Zehnder Osbourne hot water														
OSBO CPHO	850	600	chrome	140	355	100	232	792	tba	tba	tba	10.0	3.0	n/a
Zehnder Osbourne dual energy														
OSBO CPDE	850	600	chrome	140	355	100	232	792	tba	tba	tba	10.5	3.0	150

Max. Working Pressure: 10 bar Test House: tba
 Max. Working Temperature: 70°C Test House No: tba

Zehnder Buckingham

Stock Models														
Model code	Height mm	Length mm	Finish	Overall Projection mm	Pipe Centres mm		Outputs $\Delta T=50K$		Outputs $\Delta T=30K$		n Exponent	Weight kg	Water Content litres	Immersion Rating
					radiator	from wall	Watts	Btu	Watts	Btu				
Zehnder Buckingham hot water														
BUCK CPHO	750	500	chrome	120	425	50	215	734	tba	tba	tba	8.0	1.9	n/a
Zehnder Buckingham dual energy														
BUCK CPDE	750	500	chrome	120	425	50	215	734	tba	tba	tba	8.5	1.9	150

Max. Working Pressure: 10 bar Test House: BSRIA
 Max. Working Temperature: 70°C Test House No: 0480

Zehnder Lambeth

Stock Models													
Model code	Height mm	Length mm	Finish	Overall Projection mm	Pipe Centres mm		Outputs $\Delta T=50K$		Outputs $\Delta T=30K$		n Exponent	Weight kg	Water Content litres
					radiator	from wall	Watts	Btu	Watts	Btu			
Floor supported													
LAMF-095-069	952	683	white/chrome	225	535	100	530	1808	278	949	1.26	15.8	7.5
Wall supported													
LAMW-069-068	686	673	white/chrome	235	600	65	519	1771	278	949	1.22	16.3	7.3

Max. Working Pressure: 10 bar Test House: BSRIA
 Max. Working Temperature: 100°C Test House No: 0480

Zehnder Stellar

Stock Models														
Model code	Height mm	Length mm	Finish	Overall Projection mm	Pipe Centres mm		Outputs $\Delta T=50K$		Outputs $\Delta T=30K$		n Exponent	Weight kg	Water Content litres	Max. Immersion Rating
					radiator	from wall	Watts	Btu	Watts	Btu				
STNI-060-045	572	450	polished	90 to 100	420	75 to 85	159	541	84	287	1.24	3.3	2.0	100
STNI-060-100	572	1000	polished	90 to 100	970	75 to 85	284	970	152	519	1.22	5.8	3.6	200
STNI-080-030	788	300	polished	90 to 100	270	75 to 85	159	541	85	290	1.23	3.6	2.2	100
STNI-080-045	788	450	polished	90 to 100	420	75 to 85	206	702	109	372	1.24	4.5	2.8	150
STNI-080-060	788	600	polished	90 to 100	570	75 to 85	253	863	135	459	1.23	5.4	3.4	150
STNI-120-030	1220	300	polished	90 to 100	270	75 to 85	242	826	129	440	1.23	5.5	3.5	150
STNI-120-045	1220	450	polished	90 to 100	420	75 to 85	316	1078	166	567	1.26	6.9	4.3	150
STNI-120-060	1220	600	polished	90 to 100	570	75 to 85	391	1334	208	710	1.24	8.4	5.2	200
STNI-150-045	1508	450	polished	90 to 100	420	75 to 85	389	1327	206	703	1.24	8.5	5.1	300
STNI-150-060	1508	600	polished	90 to 100	570	75 to 85	491	1675	258	882	1.26	10.2	6.2	300
STNI-170-045	1724	450	polished	90 to 100	420	75 to 85	452	1542	241	822	1.23	10.0	6.1	300
STNI-170-060	1724	600	polished	90 to 100	570	75 to 85	545	1860	288	983	1.25	12.0	7.2	400
STNI-060-045-RAL	572	450	painted	90 to 100	420	75 to 85	233	795	125	426	1.22	3.3	2.0	100
STNI-060-100-RAL	572	1000	painted	90 to 100	970	75 to 85	430	1467	231	787	1.23	5.8	3.6	200
STNI-080-030-RAL	788	300	painted	90 to 100	270	75 to 85	232	792	124	424	1.23	3.6	2.2	100
STNI-080-045-RAL	788	450	painted	90 to 100	420	75 to 85	317	1082	170	580	1.22	4.5	2.8	150
STNI-080-060-RAL	788	600	painted	90 to 100	570	75 to 85	395	1348	212	723	1.22	5.4	3.4	150
STNI-120-030-RAL	1220	300	painted	90 to 100	270	75 to 85	353	1204	188	643	1.23	5.5	3.5	150
STNI-120-045-RAL	1220	450	painted	90 to 100	420	75 to 85	482	1645	258	882	1.23	6.9	4.3	150
STNI-120-060-RAL	1220	600	painted	90 to 100	570	75 to 85	600	2047	322	1098	1.22	8.4	5.2	200
STNI-150-045-RAL	1508	450	painted	90 to 100	420	75 to 85	591	2016	315	1076	1.23	8.5	5.1	300
STNI-150-060-RAL	1508	600	painted	90 to 100	570	75 to 85	736	2511	393	1340	1.23	10.2	6.2	300
STNI-170-045-RAL	1724	450	painted	90 to 100	420	75 to 85	672	2293	359	1223	1.23	10.0	6.1	300
STNI-170-060-RAL	1724	600	painted	90 to 100	570	75 to 85	838	2859	449	1533	1.23	12.0	7.2	400

Max. Working Pressure: 10 bar Test House: HLK STUTTGART
 Max. Working Temperature: 120°C Test House No: 0626

Zehnder Stellar Spar

Stock Models														
Model code	Height mm	Length mm	Finish	Overall Projection mm	Pipe Centres mm		Outputs $\Delta T=50K$		Outputs $\Delta T=30K$		n Exponent	Weight kg	Water Content litres	Max. Immersion Rating
					radiator	from wall	Watts	Btu	Watts	Btu				
STGI-060-045	572	450	polished	90 to 100	420	75 to 85	161	549	84	287	1.27	3.1	1.8	100
STGI-060-100	572	1000	polished	90 to 100	970	75 to 85	272	928	144	491	1.24	5.3	3.0	150
STGI-080-030	788	300	polished	90 to 100	270	75 to 85	171	583	89	304	1.28	3.4	2.0	100
STGI-080-045	788	450	polished	90 to 100	420	75 to 85	220	751	115	392	1.27	4.2	3.0	100
STGI-080-060	788	600	polished	90 to 100	570	75 to 85	243	829	128	435	1.26	5.0	3.2	150
STGI-120-030	1220	300	polished	90 to 100	270	75 to 85	240	819	125	427	1.28	5.2	3.1	150
STGI-120-045	1220	450	polished	90 to 100	420	75 to 85	309	1054	161	549	1.28	6.5	3.9	150
STGI-120-060	1220	600	polished	90 to 100	570	75 to 85	379	1293	197	672	1.28	7.7	4.6	200
STGI-150-045	1508	450	polished	90 to 100	420	75 to 85	361	1232	187	639	1.28	7.8	4.7	300
STGI-150-060	1508	600	polished	90 to 100	570	75 to 85	448	1529	233	795	1.28	9.3	5.6	300
STGI-170-045	1724	450	polished	90 to 100	420	75 to 85	434	1481	226	771	1.28	9.4	5.3	200
STGI-170-060	1724	600	polished	90 to 100	570	75 to 85	517	1764	270	921	1.27	11.2	6.5	300
STGI-060-045-RAL	572	450	painted	90 to 100	420	75 to 85	219	747	117	401	1.23	3.1	1.8	100
STGI-060-100-RAL	572	1000	painted	90 to 100	970	75 to 85	394	1344	211	721	1.23	5.3	3.0	150
STGI-080-030-RAL	788	300	painted	90 to 100	270	75 to 85	218	744	117	399	1.23	3.4	2.0	100
STGI-080-045-RAL	788	450	painted	90 to 100	420	75 to 85	294	1003	158	538	1.23	4.2	3.0	100
STGI-080-060-RAL	788	600	painted	90 to 100	570	75 to 85	363	1239	194	661	1.23	5.0	3.2	150
STGI-120-030-RAL	1220	300	painted	90 to 100	270	75 to 85	332	1133	177	604	1.23	5.2	3.1	150
STGI-120-045-RAL	1220	450	painted	90 to 100	420	75 to 85	448	1529	239	815	1.24	6.5	3.9	150
STGI-120-060-RAL	1220	600	painted	90 to 100	570	75 to 85	554	1890	294	1003	1.24	7.7	4.6	200
STGI-150-045-RAL	1508	450	painted	90 to 100	420	75 to 85	556	1897	297	1012	1.24	7.8	4.7	300
STGI-150-060-RAL	1508	600	painted	90 to 100	570	75 to 85	687	2344	367	1251	1.24	9.3	5.6	300
STGI-170-045-RAL	1724	450	painted	90 to 100	420	75 to 85	640	2184	343	1171	1.23	9.4	5.3	200
STGI-170-060-RAL	1724	600	painted	90 to 100	570	75 to 85	791	2699	422	1440	1.23	11.2	6.5	300

Max. Working Pressure: 10 bar Test House: HLK STUTTGART
 Max. Working Temperature: 120°C Test House No: 0626

Zehnder Subway Stainless Steel

Stock Models														
Model code	Height mm	Length mm	Finish	Overall Projection mm	Pipe Centres mm		Outputs $\Delta T=50K$		Outputs $\Delta T=30K$		n Exponent	Weight kg	Water Content litres	Max. Immersion Rating
					radiator	from wall	Watts	Btu	Watts	Btu				
SUBI-060-045	613	450	polished	70 to 80	50 or 418	55 to 65	116	396	221	754	1.27	5.1	2.3	150
SUBI-130-045	1261	450	polished	70 to 80	50 or 418	55 to 65	193	659	370	1262	1.27	8.7	4.5	200
SUBI-130-060	1261	600	polished	70 to 80	50 or 568	55 to 65	235	802	447	1525	1.26	10.4	5.4	300
SUBI-150-045	1549	450	polished	70 to 80	50 or 418	55 to 65	233	795	445	1518	1.27	10.4	5.4	300
SUBI-150-060	1549	600	polished	70 to 80	50 or 568	55 to 65	283	966	538	1836	1.26	12.4	7.2	300
SUBI-180-060	1837	600	polished	70 to 80	50 or 568	55 to 65	334	1140	633	2160	1.25	14.4	7.7	400

Max. Working Pressure: 10 bar Test House: HLK STUTTGART
 Max. Working Temperature: 120°C Test House No: 0626

Zehnder Cove

Stock Models														
Model code	Height mm	Length mm	Finish	Overall Projection mm	Pipe Centres mm		Outputs $\Delta T=50K$		Outputs $\Delta T=30K$		n Exponent	Weight kg	Water Content litres	Max. Immersion Rating
					radiator	from wall	Watts	Btu	Watts	Btu				
COVE-120-50	1180	500	brushed*	70 to 95	470	55 to 80	304	1037	158	539	1.28	10.3	3.6	200
COVE-120-60	1180	600	brushed*	70 to 95	570	55 to 80	351	1198	183	624	1.28	12.0	4.0	200
COVE-140-50	1360	500	brushed*	70 to 95	470	55 to 80	345	1177	178	607	1.3	11.6	4.1	200
COVE-140-60	1360	600	brushed*	70 to 95	570	55 to 80	402	1372	207	706	1.3	13.6	4.5	200

*brushed with polished trim

Max. Working Pressure: 4 bar Test House: WSP-LAB
 Max. Working Temperature: 90°C Test House No: 1428

Zehnder Keel Asym

Stock Models														
Model code	Height mm	Length mm	Finish	Overall Projection mm	Pipe Centres mm		Outputs $\Delta T=50K$		Outputs $\Delta T=30K$		n Exponent	Weight kg	Water Content litres	Max. Immersion Rating
					radiator	from wall	Watts	Btu	Watts	Btu				
KEEL-A-120-50	1190	500	brushed*	65 to 100	50	35 to 70	307	1047	158	539	1.30	12.4	4.6	200
KEEL-A-140-50	1400	500	brushed*	65 to 100	50	35 to 70	357	1218	180	614	1.34	14.5	5.1	200
KEEL-AP-120-50	1190	500	polished	65 to 100	50	35 to 70	276	942	142	485	1.30	12.4	4.6	200
KEEL-AP-140-50	1400	500	polished	65 to 100	50	35 to 70	321	1096	162	553	1.34	14.5	5.1	200

*Brushed with polished trim

Max. Working Pressure: 4 bar Test House: WSP-LAB
 Max. Working Temperature: 90°C Test House No: 1428

Zehnder Keel Sym

Stock Models														
Model code	Height mm	Length mm	Finish	Overall Projection mm	Pipe Centres mm		Outputs $\Delta T=50K$		Outputs $\Delta T=30K$		n Exponent	Weight kg	Water Content litres	Max. Immersion Rating
					radiator	from wall	Watts	Btu	Watts	Btu				
KEEL-S-120-60	1190	600	brushed*	65 to 100	50	35 to 70	254	867	131	447	1.29	10.3	3.9	150
KEEL-S-140-60	1400	600	brushed*	65 to 100	50	35 to 70	299	1020	155	529	1.29	12.0	4.5	200
KEEL-SP-120-60	1190	600	polished	65 to 100	50	35 to 70	229	780	118	403	1.29	10.3	3.9	150
KEEL-SP-140-60	1400	600	polished	65 to 100	50	35 to 70	269	918	139	474	1.29	12.0	4.5	200

*Brushed with polished trim

Max. Working Pressure: 4 bar Test House: WSP-LAB
 Max. Working Temperature: 90°C Test House No: 1428

Zehnder Bay

Stock Models														
Model code	Height mm	Length mm	Finish	Overall Projection mm	Pipe Centres mm vertical entry	Pipe Centres mm radiator from wall	Outputs ΔT=50K Watts	Outputs ΔT=50K Btu	Outputs ΔT=30K Watts	Outputs ΔT=30K Btu	n Exponent	Weight kg	Water Content litres	
Zehnder Bay vertical (brushed steel finish)														
BAY-100-09	1000	530	brushed steel	70 to 95	480	530*	55-80	421	1436	209	713	1.37	15.3	13.50
BAY-120-08	1200	470	brushed steel	70 to 95	420	470*	55-80	458	1563	227	775	1.37	16	13.60
BAY-120-09	1200	530	brushed steel	70 to 95	480	530*	55-80	516	1761	256	873	1.37	18	15.3
BAY-150-05	1500	290	brushed steel	70 to 95	240	290*	55-80	365	1245	180	614	1.38	12.5	10.5
BAY-170-05	1700	290	brushed steel	70 to 95	240	290*	55-80	412	1406	203	693	1.39	14	12
BAY-170-08	1700	470	brushed steel	70 to 95	420	470*	55-80	659	2249	324	1105	1.39	22.4	19.2
BAY-170-09	1700	530	brushed steel	70 to 95	480	530*	55-80	742	2532	365	1245	1.39	25.2	21.6
BAY-200-05	2000	290	brushed steel	70 to 95	240	290*	55-80	483	1648	239	815	1.38	16.00	14
BAY-200-08	2000	470	brushed steel	70 to 95	420	470*	55-80	773	2637	382	1303	1.38	25.60	22.4
BAY-200-09	2000	530	brushed steel	70 to 95	480	530*	55-80	869	2965	427	1457	1.39	28.80	25.2
BAYF-100-09	1000	530	brushed steel	70 to 95	480	530*	55-80	585	1996	298	1017	1.32	20.7	13.50
BAYF-120-09	1200	530	brushed steel	70 to 95	480	530*	55-80	684	2334	348	1187	1.32	23.4	15.3
BAYF-150-05	1500	290	brushed steel	70 to 95	240	290*	55-80	466	1590	233	795	1.36	16.5	10.5
BAYF-170-05	1700	290	brushed steel	70 to 95	240	290*	55-80	520	1774	256	873	1.39	17.2	12
BAYF-170-08	1700	470	brushed steel	70 to 95	420	470*	55-80	832	2839	409	1396	1.39	30.4	19.2
BAYF-170-09	1700	530	brushed steel	70 to 95	480	530*	55-80	936	3194	460	1570	1.39	34.2	21.6
Zehnder Bay horizontal (brushed steel finish)														
BAY-100-09	530	1000	brushed steel	70 to 95	930	1000*	55-80	421	1436	209	713	1.37	15.3	13.50
BAY-120-09	530	1200	brushed steel	70 to 95	1130	1200*	55-80	516	1761	256	873	1.37	18	15.3
BAY-150-05	290	1500	brushed steel	70 to 95	1430	1500*	55-80	365	1245	180	614	1.38	12.5	10.5
BAY-170-05	290	1700	brushed steel	70 to 95	1630	1700*	55-80	412	1406	203	693	1.39	14	12
BAY-170-08	470	1700	brushed steel	70 to 95	1630	1700*	55-80	659	2249	324	1105	1.39	22.4	19.2
BAY-170-09	530	1700	brushed steel	70 to 95	1630	1700*	55-80	742	2532	365	1245	1.39	25.2	21.6
BAY-200-05	2000	290	brushed steel	70 to 95	220	290*	55-80	483	1648	239	815	1.38	16.00	14
BAY-200-08	2000	470	brushed steel	70 to 95	400	470*	55-80	772	2634	381	1300	1.38	25.60	22.4
BAY-200-09	2000	530	brushed steel	70 to 95	460	530*	55-80	869	2965	427	1457	1.39	28.80	25.2

*plus valves

Max. Working Pressure: 4 bar Test House: WSP-LAB
 Max. Working Temperature: 90°C Test House No: 1428

Stock Models													
Model code	Height mm	Length mm	Finish	Overall Projection mm	Pipe Centres mm		Outputs $\Delta T=50K$		Outputs $\Delta T=30K$		n Exponent	Weight kg	Water Content litres
					radiator	from wall	Watts	Btu	Watts	Btu			
Vertical													
M2180-06	1800	306	white/colour	90	length plus valves*	59	744	2539	381	1300	1.31	16.4	9.0
M2180-08	1800	398	white/colour	90	length plus valves*	59	992	3385	508	1733	1.31	21.9	12.0
M2180-10	1800	490	white/colour	90	length plus valves*	59	1240	4231	635	2167	1.31	27.3	15.0
M2180-12	1800	582	white/colour	90	length plus valves*	59	1488	5077	762	2600	1.31	32.8	18.0
M3180-06	1800	306	white/colour	90	length plus valves*	59	996	3398	510	1740	1.31	24.6	14.0
M3180-08	1800	398	white/colour	90	length plus valves*	59	1328	4531	680	2320	1.31	32.8	19.0
M3180-10	1800	490	white/colour	90	length plus valves*	59	1660	5664	850	2900	1.31	41.0	24.0
Horizontal													
M2050-10	500	490	white/colour	90	length plus valves*	59	384	1310	203	693	1.25	7.9	5.0
M2050-14	500	674	white/colour	90	length plus valves*	59	538	1836	284	969	1.25	11.0	7.0
M2050-18	500	858	white/colour	90	length plus valves*	59	691	2358	365	1245	1.25	14.2	9.0
M2050-22	500	1042	white/colour	90	length plus valves*	59	845	2883	446	1522	1.25	17.4	11.0
M2050-26	500	1226	white/colour	90	length plus valves*	59	998	3405	527	1798	1.25	20.5	13.0
M2060-10	600	490	white/colour	90	length plus valves*	59	453	1546	239	815	1.25	9.5	6.0
M2060-14	600	674	white/colour	90	length plus valves*	59	634	2163	335	1143	1.25	13.3	8.4
M2060-18	600	858	white/colour	90	length plus valves*	59	815	2781	430	1467	1.25	17.1	10.8
M2060-22	600	1042	white/colour	90	length plus valves*	59	997	3402	527	1798	1.25	20.9	13.2
M2060-24	600	1134	white/colour	90	length plus valves*	59	1080	3685	570	1945	1.25	22.8	14.4
M2060-28	600	1318	white/colour	90	length plus valves*	59	1260	4299	665	2269	1.25	26.6	16.8
M3050-14	500	674	white/colour	128	length plus valves*	78	722	2463	381	1300	1.25	16.6	11.2
M3050-18	500	858	white/colour	128	length plus valves*	78	929	3170	491	1675	1.25	21.4	14.4
M3050-22	500	1042	white/colour	128	length plus valves*	78	1135	3873	599	2044	1.25	26.2	17.6
M3050-26	500	1226	white/colour	128	length plus valves*	78	1342	4579	709	2419	1.25	30.9	20.8
M3050-30	500	1410	white/colour	128	length plus valves*	78	1548	5282	817	2788	1.25	35.7	24.0
M3060-10	600	490	white/colour	128	length plus valves*	78	609	2078	320	1092	1.26	13.9	9.0
M3060-14	600	674	white/colour	128	length plus valves*	78	853	2910	448	1529	1.26	19.4	12.6
M3060-18	600	858	white/colour	128	length plus valves*	78	1096	3740	576	1965	1.26	24.9	16.2
M3060-20	600	950	white/colour	128	length plus valves*	78	1220	4163	641	2187	1.26	27.7	18.0
M3060-24	600	1134	white/colour	128	length plus valves*	78	1464	4995	769	2624	1.26	33.2	21.6
M3060-30	600	1410	white/colour	128	length plus valves*	78	1827	6234	960	3276	1.26	41.6	27.0
M3075-14	750	674	white/colour	128	length plus valves*	78	1040	3548	546	1863	1.26	24.3	15.4
M3075-22	750	1042	white/colour	128	length plus valves*	78	1635	5579	859	2931	1.26	38.2	24.2
M3075-26	750	1226	white/colour	128	length plus valves*	78	1932	6592	1015	3463	1.26	45.1	28.6
M4030-20	300	950	white/colour	164	length plus valves*	96	840	2866	444	1515	1.25	21.3	14.0
M4030-30	300	1410	white/colour	164	length plus valves*	96	1260	4299	665	2269	1.25	32.0	21.0
M4060-14	600	674	white/colour	164	length plus valves*	96	1117	3811	584	1993	1.27	27.3	16.8
M4060-18	600	858	white/colour	164	length plus valves*	96	1436	4900	751	2562	1.27	35.1	21.6
M4060-20	600	950	white/colour	164	length plus valves*	96	1600	5459	836	2852	1.27	39.0	24.0
M4060-24	600	1134	white/colour	164	length plus valves*	96	1920	6551	1004	3426	1.27	46.8	28.8
M4075-14	750	674	white/colour	164	length plus valves*	96	1364	4654	713	2433	1.27	33.6	19.6
M4075-18	750	858	white/colour	164	length plus valves*	96	1753	5981	916	3125	1.27	43.2	25.2
M4075-22	750	1042	white/colour	164	length plus valves*	96	2143	7312	1120	3821	1.27	52.8	30.8
M4075-26	750	1226	white/colour	164	length plus valves*	96	2532	8639	1323	4514	1.27	62.5	36.4

*Nominal overall radiator length = (Number of sections x 46mm) + 30mm. Manufacturing tolerance of +/- 0.6mm per section

Max. Working Pressure: 10 bar Test House: WSP-LAB
 Max. Working Temperature: 110°C Test House No: 2005

Made to Measure Options												
Model code	Height mm	Finish	Pipe Centres mm		Overall Projection mm	Outputs $\Delta T=50K$		Outputs $\Delta T=30K$		n Exponent	Weight kg	Water Content litres
			radiator	from wall		Watts	Btu	Watts	Btu			
2 column												
2019	177	white/colour	length + valves*	59	90	14.5	49.47	7.6	25.93	1.26	0.3	0.3
2030	292	white/colour	length + valves*	59	90	23.6	80.52	12.5	42.65	1.24	0.5	0.4
2040	392	white/colour	length + valves*	59	90	31.2	106.45	16.6	56.64	1.24	0.6	0.4
2045	442	white/colour	length + valves*	59	90	34.9	119.08	18.5	63.12	1.24	0.7	0.5
2050	492	white/colour	length + valves*	59	90	38.4	131.02	20.3	69.26	1.25	0.8	0.5
2055	542	white/colour	length + valves*	59	90	41.9	142.96	22.1	75.41	1.25	0.9	0.6
2060	592	white/colour	length + valves*	59	90	45.3	154.56	23.9	81.55	1.25	1.0	0.6
2075	742	white/colour	length + valves*	59	90	55	187.66	29	98.95	1.25	1.2	0.7
2090	892	white/colour	length + valves*	59	90	63.9	218.03	33.7	114.98	1.25	1.4	0.8
2100	992	white/colour	length + valves*	59	90	69.5	237.13	36.7	125.22	1.25	1.6	0.9
2120	1192	white/colour	length + valves*	59	90	82.7	282.17	43.5	148.42	1.26	1.9	1.1
2150	1492	white/colour	length + valves*	59	90	104	354.85	54.1	184.59	1.28	2.3	1.3
2180	1792	white/colour	length + valves*	59	90	124	423.09	63.5	216.66	1.31	2.7	1.5
2200	1992	white/colour	length + valves*	59	90	138	470.86	70.7	241.23	1.31	3.0	1.7
3 column												
3019	185	white/colour	length + valves*	78	128	20.1	68.58	10.5	35.83	1.27	0.5	0.4
3030	300	white/colour	length + valves*	78	128	32	109.18	16.9	57.66	1.25	0.7	0.6
3035	350	white/colour	length + valves*	78	128	37	126.24	19.5	66.53	1.25	0.9	0.6
3040	400	white/colour	length + valves*	78	128	41.9	142.96	22.1	75.41	1.25	1.0	0.7
3045	450	white/colour	length + valves*	78	128	46.8	159.68	24.7	84.28	1.25	1.1	0.7
3050	500	white/colour	length + valves*	78	128	51.6	176.06	27.2	92.81	1.25	1.2	0.8
3055	550	white/colour	length + valves*	78	128	56.3	192.10	29.6	101.00	1.26	1.3	0.9
3060	600	white/colour	length + valves*	78	128	60.9	207.79	32	109.18	1.26	1.4	0.9
3075	750	white/colour	length + valves*	78	128	74.3	253.51	39	133.07	1.26	1.7	1.1
3090	900	white/colour	length + valves*	78	128	87	296.84	45.5	155.25	1.27	2.1	1.3
3100	1000	white/colour	length + valves*	78	128	95.1	324.48	49.7	169.58	1.27	2.3	1.4
3120	1200	white/colour	length + valves*	78	128	115	392.38	59.5	203.01	1.29	2.8	1.6
3150	1500	white/colour	length + valves*	78	128	140	477.68	71.7	244.64	1.31	3.4	2.0
3180	1800	white/colour	length + valves*	78	128	166	566.39	84.1	286.95	1.33	4.1	2.4
3200	2000	white/colour	length + valves*	78	128	183	624.40	92.8	316.63	1.33	4.5	2.6
4 column												
4019	200	white/colour	length + valves*	96	164	28.4	96.90	14.9	50.84	1.26	0.8	0.6
4030	300	white/colour	length + valves*	96	164	41.9	142.96	22.1	75.41	1.25	1.0	0.7
4035	350	white/colour	length + valves*	96	164	48.5	165.48	25.6	87.35	1.25	1.2	0.8
4040	400	white/colour	length + valves*	96	164	54.9	187.32	28.8	98.27	1.26	1.4	0.9
4045	450	white/colour	length + valves*	96	164	61.3	209.16	32.2	109.87	1.26	1.5	1.0
4050	500	white/colour	length + valves*	96	164	67.6	230.65	35.5	121.13	1.26	1.7	1.0
4055	550	white/colour	length + valves*	96	164	73.7	251.46	38.7	132.04	1.26	1.9	1.1
4060	600	white/colour	length + valves*	96	164	79.8	272.28	41.7	142.28	1.27	2.0	1.2
4075	750	white/colour	length + valves*	96	164	97.4	332.33	50.9	173.67	1.27	2.5	1.4
4090	900	white/colour	length + valves*	96	164	114	388.97	59.3	202.33	1.28	2.9	1.7
4100	1000	white/colour	length + valves*	96	164	125	426.50	64.7	220.76	1.29	3.2	1.8
4120	1200	white/colour	length + valves*	96	164	147	501.56	75.7	258.29	1.30	3.7	2.1
4150	1500	white/colour	length + valves*	96	164	180	614.16	92.2	314.59	1.31	4.4	2.6
4180	1800	white/colour	length + valves*	96	164	213	726.76	108	368.50	1.33	5.2	3.1
4200	2000	white/colour	length + valves*	96	164	234	798.41	119.2	406.71	1.32	5.8	3.4
5 column												
5019	200	white/colour	length + valves*	115	202	35	119.42	18.5	63.12	1.25	0.9	0.7
5030	300	white/colour	length + valves*	115	202	51.7	176.40	27.3	93.15	1.25	1.3	0.9
5040	400	white/colour	length + valves*	115	202	67.9	231.67	35.7	121.81	1.26	1.7	1.1
5045	450	white/colour	length + valves*	115	202	75.8	258.63	39.8	135.80	1.26	1.9	1.2
5050	500	white/colour	length + valves*	115	202	83.5	284.90	43.6	148.76	1.27	2.1	1.3
5055	550	white/colour	length + valves*	115	202	91.1	310.83	47.6	162.41	1.27	2.3	1.4
5060	600	white/colour	length + valves*	115	202	98.6	336.42	51.5	175.72	1.27	2.5	1.5
5075	750	white/colour	length + valves*	115	202	120	409.44	62.1	211.89	1.29	3.1	1.8
5090	900	white/colour	length + valves*	115	202	141	481.09	72.6	247.71	1.30	3.6	2.1
5100	1000	white/colour	length + valves*	115	202	154	525.45	79.3	270.57	1.30	3.9	2.3
5120	1200	white/colour	length + valves*	115	202	179	610.75	91.7	312.88	1.31	4.6	2.7
5150	1500	white/colour	length + valves*	115	202	219	747.23	111.6	380.78	1.32	5.6	3.3
6 column												
6019	200	white/colour	length + valves*	115	238	41.5	141.60	21.7	74.04	1.27	1.1	0.8
6030	300	white/colour	length + valves*	115	238	61.3	209.16	32.2	109.87	1.26	1.6	1.1
6035	350	white/colour	length + valves*	115	238	71	242.25	37.3	127.27	1.26	1.8	1.2
6040	400	white/colour	length + valves*	115	238	80.5	274.67	42.1	143.65	1.27	2.0	1.3
6045	450	white/colour	length + valves*	115	238	89.8	306.40	46.9	160.02	1.27	2.2	1.4
6050	500	white/colour	length + valves*	115	238	99	337.79	51.5	175.72	1.28	2.4	1.5
6055	550	white/colour	length + valves*	115	238	108	368.50	56.2	191.75	1.28	2.7	1.6
6060	600	white/colour	length + valves*	115	238	117	399.20	60.5	206.43	1.29	2.9	1.8
6075	750	white/colour	length + valves*	115	238	143	487.92	73.6	251.12	1.30	3.5	2.1
6090	900	white/colour	length + valves*	115	238	167	569.80	85.5	291.73	1.31	4.2	2.5
6100	1000	white/colour	length + valves*	115	238	183	624.40	93.7	319.70	1.31	4.6	2.7
6120	1200	white/colour	length + valves*	115	238	210	716.52	107	365.08	1.32	5.5	3.2
6150	1500	white/colour	length + valves*	115	238	256	873.47	130.4	444.92	1.32	6.8	4.0

*Nominal overall radiator length = (Number of sections x 46mm) + 30mm. Manufacturing tolerance of +/- 0.6mm per section

Vertical entry = overall length minus 72mm

Max. Working Pressure: 4 bar Test House: WSP-LAB

Max. Working Temperature: 110°C Test House No: 1428

Zehnder Charleston Mirror

Stock Models													
Model code	Height mm	Length mm	Finish	Overall Projection mm	Pipe Centres mm		Outputs $\Delta T=50K$		Outputs $\Delta T=30K$		n Exponent	Weight kg	Water Content litres
					radiator	from wall	Watts	Btu	Watts	Btu			
MCM2180-12	1792	552	white	126	length plus valves*	74	1401	4780	762	2600	1.31	33.6	18
MCM2180-16	1792	736	white	126	length plus valves*	74	1792	6114	1016	3467	1.31	44.8	24

*Nominal overall radiator length = (Number of sections x 46mm) + 30mm. Manufacturing tolerance of +/- 0.6mm per section

Max. Working Pressure: 10 bar Test House: WSP-LAB
 Max. Working Temperature: 110°C Test House No: 1428

Zehnder Charleston Relax

Stock Models													
Model code	Height mm	Length mm	Finish	Overall Projection mm	Pipe Centres mm		Outputs $\Delta T=50K$		Outputs $\Delta T=30K$		n Exponent	Weight kg	Water Content litres
					radiator	from wall	Watts	Btu	Watts	Btu			
MCR5026-13	455	800	white	320	50	195	543	1852	287	979	1.25	18.6	10.4
MCR5026-18	455	1000	white	320	50	195	747	2549	395	1348	1.25	25.1	14.4

Max. Working Pressure: 10 bar Test House: WSP-LAB
 Max. Working Temperature: 110°C Test House No: 1428

Zehnder Metropolitan

Stock Models													
Model code	Height mm	Length mm	Finish	Overall Projection mm	Pipe Centres mm		Outputs $\Delta T=50K$		Outputs $\Delta T=30K$		n Exponent	Weight kg	Water Content litres
					radiator	from wall	Watts	Btu	Watts	Btu			
Zehnder Metropolitan horizontal													
MEH-030-140	280	1400	white/colour	79 to 89	50 or 1320	60 to 70	376	1283	198	676	1.26	8.31	4.50
MEH-040-140	385	1400	white/colour	79 to 89	50 or 1320	60 to 70	474	1617	243	829	1.31	10.30	5.29
MEH-040-160	385	1600	white/colour	79 to 89	50 or 1520	60 to 70	542	1849	278	949	1.31	11.70	5.96
MEH-050-140	490	1400	white/colour	79 to 89	50 or 1320	60 to 70	585	1996	300	1024	1.31	12.80	5.99
MEH-050-160	490	1600	white/colour	79 to 89	50 or 1520	60 to 70	669	2283	343	1170	1.31	14.60	6.73
MEH-050-180	490	1800	white/colour	79 to 89	50 or 1720	60 to 70	753	2569	386	1317	1.31	16.30	7.47
MEH-060-090	595	900	white/colour	79 to 89	50 or 820	60 to 70	447	1525	230	785	1.30	10.10	4.67
MEH-060-140	595	1400	white/colour	79 to 89	50 or 1320	60 to 70	695	2371	358	1221	1.30	15.30	6.69
MEH-060-160	595	1600	white/colour	79 to 89	50 or 1520	60 to 70	794	2709	409	1396	1.30	17.40	7.49
MEH-060-180	595	1800	white/colour	79 to 89	50 or 1720	60 to 70	894	3050	460	1570	1.30	19.50	8.30
MEH-060-200	595	2000	white/colour	79 to 89	50 or 1920	60 to 70	993	3388	511	1744	1.30	21.60	9.10
MEH-080-050	805	500	white/colour	79 to 89	50 or 420	60 to 70	387	1320	200	682	1.29	8.20	3.96
MEH-080-060	805	600	white/colour	79 to 89	50 or 520	60 to 70	449	1532	232	792	1.29	9.70	4.41
MEH-120-040	1225	400	white/colour	79 to 89	50 or 320	60 to 70	469	1600	244	833	1.28	10.30	4.90
MEH-120-050	1225	500	white/colour	79 to 89	50 or 420	60 to 70	563	1921	293	1000	1.28	12.40	5.50
MEH-120-060	1225	600	white/colour	79 to 89	50 or 520	60 to 70	653	2228	340	1160	1.28	14.50	6.10
MEH-150-040	1540	400	white/colour	79 to 89	50 or 320	60 to 70	582	1986	312	1065	1.22	12.00	5.51
MEH-150-050	1540	500	white/colour	79 to 89	50 or 420	60 to 70	730	2491	389	1327	1.23	14.40	6.25
MEH-150-060	1540	600	white/colour	79 to 89	50 or 520	60 to 70	871	2972	465	1587	1.23	16.80	6.98
MEH-180-040	1750	400	white/colour	79 to 89	50 or 320	60 to 70	663	2262	343	1170	1.29	14.40	6.73
MEH-180-050	1750	500	white/colour	79 to 89	50 or 420	60 to 70	795	2713	411	1402	1.29	17.40	7.63
Zehnder Metropolitan vertical													
MEV-180-030	1800	280	white/colour	79 to 89	50 or 200	60 to 70	206	703	108	368	1.27	7.38	5.8
MEV-180-040	1800	385	white/colour	79 to 89	50 or 305	60 to 70	412	1406	215	734	1.27	8.35	6.64
MEV-180-050	1800	490	white/colour	79 to 89	50 or 410	60 to 70	618	2109	323	1102	1.27	9.69	7.47
MEV-200-040	2000	385	white/colour	79 to 89	50 or 305	60 to 70	455	1552	239	815	1.26	9.09	7.31
MEV-200-050	2000	490	white/colour	79 to 89	50 or 410	60 to 70	682	2327	358	1221	1.26	10.42	8.21
MEV-200-060	2000	595	white/colour	79 to 89	50 or 515	60 to 70	910	3105	478	1631	1.26	12.11	9.1

Max. Working Pressure: 4 bar Test House: HLK STUTTGART
 Max. Working Temperature: 120°C Test House No: 0626

Zehnder Roda (formerly Fassane)

Stock Models													
Model code	Height mm	Length mm	Finish	Overall Projection mm	Pipe Centres mm		Outputs ΔT=50K		Outputs ΔT=30K		n Exponent	Weight kg	Water Content litres
					radiator	from wall	Watts	Btu	Watts	Btu			
Zehnder Roda vertical single panel													
ROV-180-029	1800	296	white/colour	70	247	42	568	1940	291	993	1.31	12	4.6
ROV-180-037	1800	370	white/colour	70	321	42	710	2425	364	1242	1.31	15	5.75
ROV-180-044	1800	444	white/colour	70	395	42	852	2910	436	1488	1.31	18	6.9
ROV-180-051	1800	518	white/colour	70	469	42	994	3395	509	1737	1.31	21	8.05
ROV-180-059	1800	592	white/colour	70	543	42	1136	3880	582	1986	1.31	24	9.2
ROV-180-066	1800	666	white/colour	70	617	42	1278	4365	654	2231	1.31	27	10.35
Zehnder Roda vertical double panel													
ROVD-180-029	1800	296	white/colour	93	247	66	824	2812	420	1433	1.32	22.4	8.6
ROVD-180-037	1800	370	white/colour	93	321	66	1030	3515	525	1791	1.32	28	10.75
ROVD-180-044	1800	444	white/colour	93	395	66	1236	4218	630	2150	1.32	33.6	12.9
ROVD-180-051	1800	518	white/colour	93	469	66	1442	4921	735	2508	1.32	39.2	15.05
ROVD-180-059	1800	592	white/colour	93	543	66	1648	5624	840	2866	1.32	44.8	17.2
ROVD-180-066	1800	666	white/colour	93	617	66	1854	6327	945	3224	1.32	50.4	19.35
Zehnder Roda horizontal single panel													
ROH-044-140	444	1400	white/colour	70	1332	42	708	2416	368	1256	1.28	16.4	5.88
ROH-051-100	518	1000	white/colour	70	932	42	586	1999	305	1041	1.28	13.4	4.9
ROH-051-120	518	1200	white/colour	70	1132	42	703	2399	366	1249	1.28	16.1	5.88
ROH-059-100	592	1000	white/colour	70	932	42	665	2269	346	1181	1.28	14.1	5.6
ROH-059-120	592	1200	white/colour	70	1132	42	798	2723	415	1416	1.28	18.1	6.72
ROH-059-140	592	1400	white/colour	70	1332	42	931	3177	484	1651	1.28	19.7	7.84
Zehnder Roda horizontal single panel with single convector fin													
ROHL-059-060	592	600	white/colour	92	532	62	636	2170	334	1140	1.26	13.2	3.36
ROHL-059-080	592	800	white/colour	92	732	62	848	2894	446	1522	1.26	17.6	4.48
ROHL-059-100	592	1000	white/colour	92	932	62	1060	3617	557	1900	1.26	22	5.6
ROHL-059-120	592	1200	white/colour	92	1132	62	1272	4340	668	2279	1.26	26.4	6.72
Zehnder Roda horizontal double panel													
ROHD-059-060	592	600	white/colour	93	532	66	641	2187	337	1150	1.26	16.5	6.04
ROHD-059-080	592	800	white/colour	93	732	66	855	2916	449	1532	1.26	22	8.05
ROHD-059-100	592	1000	white/colour	93	932	66	1069	3645	562	1918	1.26	27.4	10.06
ROHD-059-120	592	1200	white/colour	93	1132	66	1283	4374	674	2300	1.26	32.9	12.07

Max. Working Pressure: 4 bar Test House: CETIAT
 Max. Working Temperature: 110°C Test House No: 1623

Zehnder Roda (formerly Fassane)

Made to Measure Options													
Model code	Height mm	Finish	Pipe Centres mm		Overall Projection mm	Outputs ΔT=50K		Outputs ΔT=30K		n Exponent	Weight kg	Water Content litres	
			radiator	from wall		Watts	Btu	Watts	Btu				
Zehnder Roda ROV single, data per vertical tube													
ROV 060	600	white/colour	70	length minus 49	42	52	177	26	89	1.30	1.3	0.5	
ROV 080	800	white/colour	70	length minus 49	42	68	232	34	116	1.55	1.6	0.6	
ROV 100	1000	white/colour	70	length minus 49	42	83	283	42	143	1.32	1.9	0.7	
ROV 120	1200	white/colour	70	length minus 49	42	98	334	50	171	1.32	2.1	0.8	
ROV 140	1400	white/colour	70	length minus 49	42	113	386	58	198	1.31	2.4	0.9	
ROV 160	1600	white/colour	70	length minus 49	42	127	433	65	222	1.31	2.7	1.0	
ROV 180	1800	white/colour	70	length minus 49	42	142	485	73	249	1.31	3.0	1.2	
ROV 200	2000	white/colour	70	length minus 49	42	155	529	80	273	1.31	3.3	1.3	
ROV 220	2200	white/colour	70	length minus 49	42	169	577	87	297	1.31	3.6	1.4	
Zehnder Roda ROVD double, data per vertical tube													
ROVD 060	600	white/colour	93	length minus 49	66	77	263	39	133	1.33	2.1	0.8	
ROVD 080	800	white/colour	93	length minus 49	66	100	341	51	174	1.33	2.7	1.0	
ROVD 100	1000	white/colour	93	length minus 49	66	122	416	62	212	1.33	3.3	1.3	
ROVD 120	1200	white/colour	93	length minus 49	66	144	491	73	249	1.33	3.9	1.5	
ROVD 140	1400	white/colour	93	length minus 49	66	165	563	84	287	1.33	4.4	1.7	
ROVD 160	1600	white/colour	93	length minus 49	66	186	635	95	324	1.32	5.0	1.9	
ROVD 180	1800	white/colour	93	length minus 49	66	206	703	105	358	1.32	5.6	2.2	
ROVD 200	2000	white/colour	93	length minus 49	66	225	768	115	392	1.32	6.2	2.4	
ROVD 220	2200	white/colour	93	length minus 49	66	244	833	124	423	1.32	6.7	2.6	

To calculate the number of tubes required, allow 74mm per tube
 Max. Working Pressure: 4 bar Test House: CETIAT
 Max. Working Temperature: 110°C Test House No: 1623

Zehnder Roda (formerly Fassane)

Made to Measure Options													
Model code	Height mm	Finish	Pipe Centres mm		Overall Projection mm	Outputs $\Delta T=50K$		Outputs $\Delta T=30K$		n Exponent	Weight kg	Water Content litres	
			radiator	from wall		Watts	Btu	Watts	Btu				
Zehnder Roda ROH single, data per linear metre													
ROH 4 tubes	296	white/colour	70	length minus 68	42	344	1174	179	611	1.28	7.2	2,80	
ROH 5 tubes	370	white/colour	70	length minus 68	42	425	1450	221	754	1.28	9.0	3,50	
ROH 6 tubes	444	white/colour	70	length minus 68	42	506	1726	264	901	1.28	10.7	4,20	
ROH 7 tubes	518	white/colour	70	length minus 68	42	586	1999	305	1041	1.28	12.4	4,90	
ROH 8 tubes	592	white/colour	70	length minus 68	42	665	2269	347	1184	1.28	14.1	5,60	
Zehnder Roda ROHL single with convactor fins, data per linear metre													
ROHL 2 tubes	148	white/colour	92	length minus 68	62	350	1194	195	665	1.15	7.0	1,40	
ROHL 3 tubes	222	white/colour	92	length minus 68	62	511	1744	268	914	1.26	10.7	2,10	
ROHL 4 tubes	296	white/colour	92	length minus 68	62	637	2173	334	1140	1.27	14.3	2,80	
ROHL 5 tubes	370	white/colour	92	length minus 68	62	719	2453	374	1276	1,28	16.1	3,50	
ROHL 6 tubes	444	white/colour	92	length minus 68	62	845	2883	448	1529	1,24	18.7	4,20	
ROHL 7 tubes	518	white/colour	92	length minus 68	62	927	3163	492	1679	1,24	19.5	4,90	
ROHL 8 tubes	592	white/colour	92	length minus 68	62	1060	3617	558	1904	1.26	23.6	5,60	
Max. Working Pressure: 4 bar Test House: CETIAT													
Max. Working Temperature: 110°C Test House No: 1623													

Zehnder Roda Mirror (formerly Fassane Mirror)

Zehnder Roda Mirror														
Model code	Height mm	Length mm	Finish	Overall Projection mm	Pipe Centres mm		Outputs $\Delta T=50K$		Outputs $\Delta T=30K$		n Exponent	Weight kg	Water Content litres	
					radiator	from wall	Watts	Btu	Watts	Btu				
ROM-180-067	1800	666	white/colour	70	617	42	680	2320	348	1187	1.31	24.6	6.3	
ROM-180-081	1800	814	white/colour	70	765	42	952	3248	488	1665	1.31	31	8.6	
Max. Working Pressure: 4 bar Test House: CETIAT														
Max. Working Temperature: 110°C Test House No: 1623														

Zehnder Roda Status (formerly Regate Status)

Zehnder Roda Regate status														
Model code	Height mm	Length mm	Finish	Overall Projection mm	Pipe Centres mm		Outputs $\Delta T=50K$		Outputs $\Delta T=30K$		n Exponent	Weight kg	Water Content litres	Max. Immersion Rating
					radiator	from wall	Watts	Btu	Watts	Btu				
ROP-080-050	815	500	white/colour	88 to 103	432	70 to 85	433	1477	227	775	1.26	11.3	4.7	300
ROP-150-050	1481	500	white/colour	88 to 103	432	70 to 85	766	2614	407	1389	1.24	20.1	8.5	500
ROP-200-050	2072	500	white/colour	88 to 103	432	70 to 85	1027	3504	551	1880	1.22	28.1	11.9	600
Max. Working Pressure: 4 bar Test House: CETIAT														
Max. Working Temperature: 110°C Test House No: 1623														

Zehnder Ax (formerly Altai)

Stock Models														
Model code	Height mm	Length mm	Finish	Overall Projection mm	Pipe Centres mm		Outputs $\Delta T=50K$		Outputs $\Delta T=30K$		n Exponent	Weight kg	Water Content litres	
					radiator	from wall	Watts	Btu	Watts	Btu				
Zehnder Ax vertical single panel														
ZAV-180-030	1800	308	white/colour	76	259	49	616	2102	315	1075	1.31	11.4	1.82	
ZAV-180-039	1800	396	white/colour	76	347	49	792	2700	406	1385	1.31	10.8	2.34	
ZAV-180-048	1800	484	white/colour	76	435	49	968	3303	496	1692	1.31	17.7	2.86	
ZAV-180-061	1800	616	white/colour	76	567	49	1232	4204	631	2153	1.31	22.5	3.64	
Zehnder Ax horizontal double panel														
ZAHD-061-080	616	800	white/colour	87	750	61	884	3016	455	1552	1.3	20.2	3.35	
ZAHD-061-100	616	1000	white/colour	87	950	61	1105	3770	569	1941	1.3	24.8	4.19	
ZAHD-061-120	616	1200	white/colour	87	1150	61	1326	4524	683	2330	1.3	29.4	5.03	
ZAHD-061-140	616	1400	white/colour	87	1350	61	1547	5278	796	2716	1.3	35.4	5.87	
Max. Working Pressure: 4 bar Test House: CETIAT														
Max. Working Temperature: 110°C Test House No: 1623														

Zehnder Ax (formerly Altai)

Made to Measure Options												
Model code	Height mm	Finish	Pipe Centres mm		Overall Projection mm	Outputs $\Delta T=50K$		Outputs $\Delta T=30K$		n Exponent	Weight kg	Water Content litres
			radiator	from wall		Watts	Btu	Watts	Btu			
Zehnder Ax ZA single, data per vertical tube												
ZA-060	600	white/colour	76	length minus 49mm	49	33.0	112.6	17.0	58.0	1.28	0.6	0.14
ZA-080	800	white/colour	76	length minus 49mm	49	42.0	143.3	22.0	75.1	1.29	0.8	0.16
ZA-100	1000	white/colour	76	length minus 49mm	49	51.0	174.0	27.0	92.1	1.29	1.0	0.96
ZA-120	1200	white/colour	76	length minus 49mm	49	60.0	204.7	31.0	105.8	1.30	1.1	1.12
ZA-140	1400	white/colour	76	length minus 49mm	49	70.0	238.8	36.0	122.8	1.30	1.3	1.29
ZA-160	1600	white/colour	76	length minus 49mm	49	79.0	269.5	40.0	136.5	1.31	1.5	1.45
ZA-180	1800	white/colour	76	length minus 49mm	49	88.0	300.3	45.0	153.5	1.31	1.2	1.61
ZA-200	2000	white/colour	76	length minus 49mm	49	98.0	334.4	50.0	170.6	1.32	1.8	1.78
ZA-220	2200	white/colour	76	length minus 49mm	49	107.0	365.1	55.0	187.7	1.32	2.0	1.94
Zehnder Ax ZAD double, data per vertical tube												
ZAD-060	600	white/colour	87	length minus 49mm	61	51.0	174.0	26.0	88.7	1.30	1.1	1.12
ZAD-080	800	white/colour	87	length minus 49mm	61	66.0	225.2	34.0	116.0	1.30	1.5	1.45
ZAD-100	1000	white/colour	87	length minus 49mm	61	80.0	273.0	41.0	139.9	1.30	1.8	1.78
ZAD-120	1200	white/colour	87	length minus 49mm	61	94.0	320.7	48.0	163.8	1.31	2.1	2.11
ZAD-140	1400	white/colour	87	length minus 49mm	61	108.0	368.5	55.0	187.7	1.31	2.4	2.43
ZAD-160	1600	white/colour	87	length minus 49mm	61	122.0	416.3	62.0	211.5	1.31	2.8	2.76
ZAD-180	1800	white/colour	87	length minus 49mm	61	136.0	464.0	70.0	238.8	1.31	3.1	3.09
ZAD-200	2000	white/colour	87	length minus 49mm	61	150.0	511.8	77.0	262.7	1.32	3.4	3.42
ZAD-220	2200	white/colour	87	length minus 49mm	61	164.0	559.6	84.0	286.6	1.317	3.8	3.75
To calculate the number of tubes required, allow 44mm per tube												
Max. Working Pressure: 4 bar Test House: CETIAT												
Max. Working Temperature: 110°C Test House No: 1623												

Made to Measure Options												
Model code	Height mm	Finish	Pipe Centres mm		Overall Projection mm	Outputs $\Delta T=50K$		Outputs $\Delta T=30K$		n Exponent	Weight kg	Water Content litres
			radiator	from wall		Watts	Btu	Watts	Btu			
Zehnder Ax ZAH single, data per linear metre												
ZAH 6	264	white/colour	76	length minus 50mm	49	308	1051	157	536	1.32	6.10	1.22
ZAH 8	352	white/colour	76	length minus 50mm	49	414	1413	211	720	1.32	8.00	1.62
ZAH 10	440	white/colour	76	length minus 50mm	49	520	1774	266	908	1.31	10.00	2.03
ZAH 12	528	white/colour	76	length minus 50mm	49	625	2133	320	1092	1.31	11.90	2.44
ZAH 14	616	white/colour	76	length minus 50mm	49	730	2491	374	1276	1.31	13.80	2.84
Zehnder Ax ZAHD double, data per linear metre												
ZAHD 6	264	white/colour	87	length minus 50mm	61	529	1805	273	931	1.30	11.00	1.79
ZAHD 8	352	white/colour	87	length minus 50mm	61	680	2320	350	1194	1.30	14.60	2.39
ZAHD 10	440	white/colour	87	length minus 50mm	61	825	2815	425	1450	1.30	18.10	2.99
ZAHD 12	528	white/colour	87	length minus 50mm	61	966	3296	498	1699	1.30	21.70	3.59
ZAHD 14	616	white/colour	87	length minus 50mm	61	1105	3770	570	1945	1.30	25.30	4.19
Max. Working Pressure: 4 bar Test House: CETIAT												
Max. Working Temperature: 110°C Test House No: 1623												

Zehnder Orbis (formerly Striane)

Stock Models													
Model code	Height mm	Length mm	Finish	Overall Projection mm	Pipe Centres mm		Outputs $\Delta T=50K$		Outputs $\Delta T=30K$		n Exponent	Weight kg	Water Content litres
					radiator	from wall	Watts	Btu	Watts	Btu			
Zehnder Orbis vertical single layer of tubes													
ORV-100-019	1000	190	white/colour	68	141	40	270	921	142	485	1.26	4.1	1.1
ORV-100-024	1000	247	white/colour	68	198	40	345	1177	181	618	1.26	5.2	1.69
ORV-180-030	1800	304	white/colour	68	255	40	736	2512	387	1320	1.26	10.6	2.56
ORV-180-039	1800	399	white/colour	68	350	40	966	3297	508	1733	1.26	13.9	3.36
ORV-180-045	1800	456	white/colour	68	407	40	1104	3768	580	1979	1.26	15.9	3.84
ORV-180-049	1800	494	white/colour	68	445	40	1196	4082	628	2143	1.26	17.2	4.16
ORV-180-060	1800	608	white/colour	68	559	40	1472	5024	773	2637	1.26	21.2	5.12
Zehnder Orbis horizontal single layer of tubes													
ORH-049-100	494	1000	white/colour	68	950	40	776	2648	385	1314	1.37	9.9	2.76
ORH-049-120	494	1200	white/colour	68	1150	40	931	3178	462	1576	1.37	11.9	3.31
ORH-049-140	494	1400	white/colour	68	1350	40	1086	3707	539	1839	1.37	13.9	3.86
ORH-060-100	608	1000	white/colour	68	950	40	949	3238	501	1709	1.25	12.1	3.43
ORH-060-120	608	1200	white/colour	68	1150	40	1139	3886	602	2054	1.25	14.7	4.12
ORH-060-140	608	1400	white/colour	68	1350	40	1329	4533	702	2395	1.25	16.8	4.80
Max. Working Pressure: 4 bar Test House: CETIAT													
Max. Working Temperature: 110°C Test House No: 1623													

Zehnder Orbis (formerly Striane)

Made to Measure Options												
Model code	Height mm	Finish	Pipe Centres mm		Overall Projection mm	Outputs $\Delta T=50K$		Outputs $\Delta T=30K$		n Exponent	Weight kg	Water Content litres
			radiator	from wall		Watts	Btu	Watts	Btu			
Zehnder Orbis ORV single, data per vertical tube												
ORV 060	600	white/colour	68	length minus 49	40	16	55	9	31	1.26	0.27	0.08
ORV 080	800	white/colour	68	length minus 49	40	22	75	11	38	1.26	0.33	0.09
ORV 100	1000	white/colour	68	length minus 49	40	27	92	14	48	1.26	0.40	0.11
ORV 120	1200	white/colour	68	length minus 49	40	32	109	17	58	1.26	0.47	0.12
ORV 140	1400	white/colour	68	length minus 49	40	36	123	19	65	1.26	0.54	0.14
ORV 160	1600	white/colour	68	length minus 49	40	41	140	22	75	1.26	0.60	0.15
ORV 180	1800	white/colour	68	length minus 49	40	46	157	24	82	1.26	0.67	0.16
ORV 200	2000	white/colour	68	length minus 49	40	51	174	27	92	1.26	0.74	0.18
ORV 220	2200	white/colour	68	length minus 49	40	56	191	29	99	1.26	0.80	0.19
To calculate the number of tubes required, allow 19mm per tube												
Max. Working Pressure: 4 bar			Test House: CETIAT									
Max. Working Temperature: 110°C			Test House No: 1623									

Made to Measure Options												
Model code	Height mm	Finish	Pipe Centres mm		Overall Projection mm	Outputs $\Delta T=50K$		Outputs $\Delta T=30K$		n Exponent	Weight kg	Water Content litres
			radiator	from wall		Watts	Btu	Watts	Btu			
Zehnder Orbis ORH single, data per linear metre												
ORH 12 tube	228	white/colour	68	length minus 50	40	356	1215	190	648	1.23	4.50	1.28
ORH 14 tube	266	white/colour	68	length minus 50	40	427	1457	228	778	1.23	5.20	1.49
ORH 16 tube	304	white/colour	68	length minus 50	40	500	1706	267	911	1.23	6.00	1.70
ORH 18 tube	342	white/colour	68	length minus 50	40	554	1890	297	1013	1.22	6.70	1.92
ORH 20 tube	380	white/colour	68	length minus 50	40	609	2078	326	1112	1.23	7.60	2.14
ORH 22 tube	437	white/colour	68	length minus 50	40	664	2266	354	1208	1.23	8.4	2.35
ORH 24 tube	456	white/colour	68	length minus 50	40	720	2457	384	1310	1.233	9.1	2.56
ORH 26 tube	494	white/colour	68	length minus 50	40	776	2648	413	1409	1.24	9.90	2.76
ORH 28 tube	532	white/colour	68	length minus 50	40	833	2842	442	1508	1.24	10.60	2.99
ORH 30 tube	570	white/colour	68	length minus 50	40	891	3040	472	1610	1.24	11.30	3.21
ORH 32 tube	608	white/colour	68	length minus 50	40	949	3238	502	1713	1.25	12.10	3.43
ORH 34 tube	646	white/colour	68	length minus 50	40	1009	3443	532	1815	1.25	13.50	3.64
ORH 36 tube	684	white/colour	68	length minus 50	40	1069	3647	563	1921	1.26	14.30	3.85
Max. Working Pressure: 4 bar			Test House: CETIAT									
Max. Working Temperature: 110°C			Test House No: 1623									

Zehnder Kleo

Stock Models													
Model code	Height mm	Length mm	Finish	Overall Projection mm	Pipe Centres mm		Outputs $\Delta T=50K$		Outputs $\Delta T=30K$		n Exponent	Weight kg	Water Content litres
					radiator	from wall	Watts	Btu	Watts	Btu			
Vertical													
KLV-180-009	1800	297	white/colour	74	248	38	632	2156	329	1123	1.28	10.3	4.5
KLV-180-012	1800	396	white/colour	74	347	38	842	2874	438	1494	1.28	13.7	6.0
KLV-180-015	1800	495	white/colour	74	446	38	1053	3593	548	1870	1.28	17.0	7.5
KLV-180-018	1800	594	white/colour	74	545	38	1260	4320	655	2235	1.28	21.6	9.0
Horizontal													
KLH-058-100	594	1000	white/colour	74	962	38	782	2668	413	1409	1.25	12.4	5.5
KLH-058-120	594	1200	white/colour	74	1162	38	938	3201	495	1689	1.25	14.9	6.6
KLH-058-140	594	1400	white/colour	74	1362	38	1094	3735	578	1972	1.25	17.4	7.7
KLHD-058-100	594	1000	white/colour	106	962	38	1211	4134	636	2170	1.26	22.6	12.5
KLHD-058-120	594	1200	white/colour	106	1162	38	1453	4961	763	2603	1.26	27.1	15.0
KLHD-058-140	594	1400	white/colour	106	1362	38	1695	5787	891	3040	1.26	31.6	17.5
Max. Working Pressure: 4 bar			Test House: CETIAT										
Max. Working Temperature: 110°C			Test House No: 1623										

Zehnder Kleo

Made to Measure Options												
Model code	Height mm	Finish	Pipe Centres mm		Overall Projection mm	Outputs $\Delta T=50K$		Outputs $\Delta T=30K$		n Exponent	Weight kg	Water Content litres
			radiator	from wall		Watts	Btu	Watts	Btu			
Zehnder Kleo KLV single, data per vertical tube												
KLV 060	600	white/colour	74	length minus 49	38	26.0	88.7	14.0	47.8	1.27	0.5	0.2
KLV 080	800	white/colour	74	length minus 49	38	34.0	116.0	18.0	61.4	1.27	0.6	0.3
KLV 100	1000	white/colour	74	length minus 49	38	41.0	139.9	21.0	71.7	1.27	0.7	0.3
KLV 120	1200	white/colour	74	length minus 49	38	49.0	167.2	25.0	85.3	1.27	0.8	0.4
KLV 140	1400	white/colour	74	length minus 49	38	56.0	191.1	29.0	98.9	1.28	0.9	0.4
KLV 160	1600	white/colour	74	length minus 49	38	63.0	215.0	33.0	112.6	1.28	1.0	0.5
KLV 180	1800	white/colour	74	length minus 49	38	70.0	238.8	37.0	126.2	1.28	1.2	0.5
KLV 200	2000	white/colour	74	length minus 49	38	78.0	266.1	40.0	136.5	1.28	1.3	0.5
KLV 220	2200	white/colour	74	length minus 49	38	85.0	290.0	44.0	150.1	1.28	1.4	0.6
To calculate the number of tubes required, allow 44mm per tube												
Max. Working Pressure: 4 bar			Test House: CETIAT									
Max. Working Temperature: 110°C			Test House No: 1623									

Made to Measure Options												
Model code	Height mm	Finish	Pipe Centres mm		Overall Projection mm	Outputs $\Delta T=50K$		Outputs $\Delta T=30K$		n Exponent	Weight kg	Water Content litres
			radiator	from wall		Watts	Btu	Watts	Btu			
Zehnder Kleo KLH single, data per linear metre												
KLH 12 tubes	396	white/colour	74	length minus 38	38	515	1757	278	949	1.21	8.2	3.7
KLH 14 tubes	462	white/colour	74	length minus 38	38	611	2085	322	1099	1.26	9.4	4.3
KLH 16 tubes	528	white/colour	74	length minus 38	38	697	2378	367	1252	1.26	11.1	4.9
KLH 18 tubes	594	white/colour	74	length minus 38	38	782	2668	412	1406	1.25	12.4	5.5
KLH 20 tubes	660	white/colour	74	length minus 38	38	867	2958	457	1559	1.25	13.7	6.1
KLH 22 tubes	726	white/colour	74	length minus 38	38	951	3245	502	1713	1.25	15.0	6.7
KLH 24 tubes	792	white/colour	74	length minus 38	38	1034	3528	545	1860	1.25	17.4	7.3
KLH 26 tubes	858	white/colour	74	length minus 38	38	1117	3811	590	2013	1.25	18.8	7.9
KLH 28 tubes	924	white/colour	74	length minus 38	38	1200	4094	634	2163	1.25	20.2	8.5
KLH 30 tubes	990	white/colour	74	length minus 38	38	1282	4374	677	2310	1.25	21.4	9.1
KLH 32 tubes	1056	white/colour	74	length minus 38	38	1364	4654	721	2460	1.25	22.8	9.8
KLH 34 tubes	1122	white/colour	74	length minus 38	38	1445	4930	764	2607	1.25	24.1	10.4
KLH 36 tubes	1188	white/colour	74	length minus 38	38	1526	5207	807	2753	1.247	25.4	11.0
Max. Working Pressure: 4 bar			Test House: CETIAT									
Max. Working Temperature: 110°C			Test House No: 1623									

Zehnder Stratos

Stock Models													
Model code	Height mm	Length mm	Finish	Overall Projection mm	Pipe Centres mm		Outputs $\Delta T=50K$		Outputs $\Delta T=30K$		n Exponent	Weight kg	Water Content litres
					radiator	from wall	Watts	Btu	Watts	Btu			
Without top grille, standard white (RAL 9010)													
CS-15-10-1000	153	1000	white/colour	98	1000*	79	791	2699	397	1355	1.35	12.3	3.0
CS-15-10-1200	153	1200	white/colour	98	1200*	79	949	3238	476	1624	1.35	14.8	3.6
CS-15-10-1400	153	1400	white/colour	98	1400*	79	1107	3777	555	1894	1.35	17.2	4.2
CS-15-10-1500	153	1500	white/colour	98	1500*	79	1187	4050	596	2034	1.35	18.5	4.5
CS-15-10-1600	153	1600	white/colour	98	1600*	79	1266	4320	635	2167	1.35	19.7	4.8
CS-15-10-2000	153	2000	white/colour	98	2000*	79	1582	5398	794	2709	1.35	24.6	6.0
CS-15-19-1000	153	1000	white/colour	186	1000*	167 flow, 79 return	1394	4756	703	2399	1.34	21.3	4.8
CS-15-19-1200	153	1200	white/colour	186	1200*	167 flow, 79 return	1673	5708	844	2880	1.34	25.6	5.8
CS-15-19-1400	153	1400	white/colour	186	1400*	167 flow, 79 return	1952	6660	984	3357	1.34	29.8	6.7
CS-15-19-1500	153	1500	white/colour	186	1500*	167 flow, 79 return	2091	7134	1054	3596	1.34	32.0	7.2
CS-15-19-1600	153	1600	white/colour	186	1600*	167 flow, 79 return	2230	7609	1125	3839	1.34	34.1	7.7
CS-15-19-2000	153	2000	white/colour	186	2000*	167 flow, 79 return	2788	9513	1406	4797	1.34	42.6	9.6
*plus valves													
Max. Working Pressure: 4.5 bar			Test House: CETIAT										
Max. Working Temperature: 120°C			Test House No: 0626										

Zehnder Stratos

Stock Models													
Model code	Height mm	Length mm	Finish	Overall Projection mm	Pipe Centres mm		Outputs $\Delta T=50K$		Outputs $\Delta T=30K$		n Exponent	Weight kg	Water Content litres
					radiator	from wall	Watts	Btu	Watts	Btu			
With factory-fitted grille, standard white (RAL 9010)													
CSG-15-10-1000	153	1000	white/colour	98	1000*	79	791	2699	397	1355	1.35	12.3	3.0
CSG-15-10-1200	153	1200	white/colour	98	1200*	79	949	3238	476	1624	1.35	14.8	3.6
CSG-15-10-1400	153	1400	white/colour	98	1400*	79	1107	3777	555	1894	1.35	17.2	4.2
CSG-15-10-1500	153	1500	white/colour	98	1500*	79	1187	4050	596	2034	1.35	18.5	4.5
CSG-15-10-1600	153	1600	white/colour	98	1600*	79	1266	4320	635	2167	1.35	19.7	4.8
CSG-15-10-2000	153	2000	white/colour	98	2000*	79	1582	5398	794	2709	1.35	24.6	6.0
CSG-15-19-1000	153	1000	white/colour	186	1000*	167 flow, 79 return	1394	4756	703	2399	1.34	21.3	4.8
CSG-15-19-1200	153	1200	white/colour	186	1200*	167 flow, 79 return	1673	5708	844	2880	1.34	25.6	5.8
CSG-15-19-1400	153	1400	white/colour	186	1400*	167 flow, 79 return	1952	6660	984	3357	1.34	29.8	6.7
CSG-15-19-1500	153	1500	white/colour	186	1500*	167 flow, 79 return	2091	7134	1054	3596	1.34	32.0	7.2
CSG-15-19-1600	153	1600	white/colour	186	1600*	167 flow, 79 return	2230	7609	1125	3839	1.34	34.1	7.7
CSG-15-19-2000	153	2000	white/colour	186	2000*	167 flow, 79 return	2788	9513	1406	4797	1.34	42.6	9.6

*plus valves
 Max. Working Pressure: 4.5 bar Test House: CETIAT
 Max. Working Temperature: 120°C Test House No: 0626

Zehnder Lyta-S Horizontal

Stock Models													
Model code	Height mm	Length mm	Finish	Overall Projection mm	Pipe Centres mm		Outputs $\Delta T=50K$		Outputs $\Delta T=30K$		n Exponent	Weight kg	Water Content litres
					radiator	from wall	Watts	Btu	Watts	Btu			
LYSV-041-048	407	480	white*	130	504 plus valves	82	560	1911	289	986	1.30	6.6	0.24
LYSV-041-064	407	640	white*	130	664 plus valves	82	747	2549	385	1314	1.30	8.8	0.24
LYSV-041-080	407	800	white*	130	824 plus valves	82	934	3187	481	1641	1.30	11.0	0.24
LYSV-041-096	407	960	white*	130	984 plus valves	82	1121	3825	577	1969	1.30	13.2	0.24
LYSV-041-112	407	1120	white*	130	1144 plus valves	82	1308	4463	673	2296	1.30	15.4	0.24
LYSV-056-048	557	480	white*	130	504 plus valves	82	746	2545	381	1300	1.32	8.4	0.30
LYSV-056-064	557	640	white*	130	664 plus valves	82	995	3395	508	1733	1.32	11.2	0.30
LYSV-056-080	557	800	white*	130	824 plus valves	82	1234	4210	635	2167	1.32	14.0	0.30
LYSV-056-096	557	960	white*	130	984 plus valves	82	1492	5091	762	2600	1.32	16.8	0.30
LYSV-056-112	557	1120	white*	130	1144 plus valves	82	1740	5937	889	3033	1.32	19.6	0.30
LYSV-066-048	657	480	white*	130	504 plus valves	82	855	2917	434	1481	1.33	9.6	0.35
LYSV-066-064	657	640	white*	130	664 plus valves	82	1140	3890	578	1972	1.33	12.8	0.35
LYSV-066-080	657	800	white*	130	824 plus valves	82	1425	4862	723	2467	1.33	16.0	0.35
LYSV-066-096	657	960	white*	130	984 plus valves	82	1710	5835	868	2962	1.33	19.2	0.35
LYSV-066-112	657	1120	white*	130	1144 plus valves	82	1995	6807	1012	3453	1.33	22.4	0.35

*white (RAL 9010)
 Max. Working Pressure: 24 bar Test House: Laboratorio Misure Ricerche Termotecniche
 Max. Working Temperature: 120°C Test House No: 1695

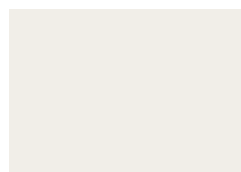
Zehnder Lyta-T Vertical

Stock Models													
Model code	Height mm	Length mm	Finish	Overall Projection mm	Pipe Centres mm		Outputs $\Delta T=50K$		Outputs $\Delta T=30K$		n Exponent	Weight kg	Water Content litres
					radiator	from wall	Watts	Btu	Watts	Btu			
LYTV-097-032	966	320	white*	110 to 140	344 plus valves	82	728	2484	362	1234	1.37	7.8	1.7
LYTV-097-048	966	480	white*	110 to 140	504 plus valves	82	1092	3726	542	1851	1.37	11.8	2.6
LYTV-147-032	1466	320	white*	110 to 140	344 plus valves	82	1000	3412	499	1703	1.39	11.2	2.5
LYTV-147-048	1466	480	white*	110 to 140	504 plus valves	82	1500	5118	749	2555	1.39	16.8	3.7
LYTV-187-024	1866	240	white*	110 to 140	264 plus valves	82	900	3071	442	1510	1.39	10.2	2.3
LYTV-187-032	1866	320	white*	110 to 140	344 plus valves	82	1200	4094	590	2013	1.39	13.6	3.1
LYTV-187-040	1866	400	white*	110 to 140	424 plus valves	82	1500	5118	737	2516	1.39	17.0	3.9
LYTV-187-048	1866	480	white*	110 to 140	504 plus valves	82	1800	6142	885	3019	1.39	20.4	4.7

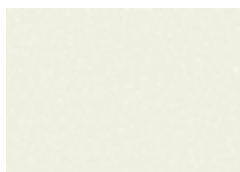
*white (RAL 9010)
 Max. Working Pressure: 6 bar Test House: Laboratorio Misure Ricerche Termotecniche
 Max. Working Temperature: 120°C Test House No: 1695

Colour System

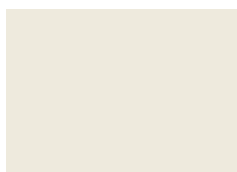
Architectural



White Matt
0556



White Quartz
0521



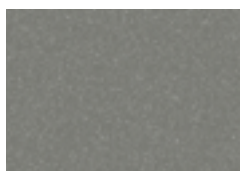
Pure White
RAL 9010 / 9010*



Inox Look
0332*



White Aluminium
9006*



Titane
0335*



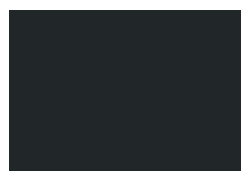
Grey Aluminium
9007*



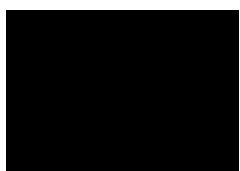
Anthracite
0346



Volcanic
0336



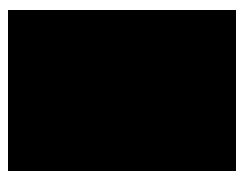
Anthracite Grey
RAL 7016 / 7016*



Traffic Black
RAL 9017 / 9217



Jet Black
RAL 9005 / 9005*



Black Matt
0557



Black Quartz
0550

Tonic



Lemon
0515*



Traffic Yellow
RAL 1023 / 1023*



Orange Quartz
0528



Flame Red
RAL 3000 / 3000*



Ruby Red
RAL 3003 / 3003*



Mauve
0517*



Violet
0518*



Strawberry
NCS-S-2065-R20B / 3770



Dark Purple
0848



Amethyst Quartz
0516



Lichen
NCS-S-2010-G60Y / 8723



Spring Green
0846



Pacific Blue
0519



Horizon Blue
0520*



Prussian Blue
0555*

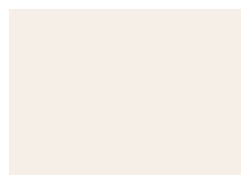
* These colours have a glossy finish, all others are matt.

Some colours/surface finishes are only available for selected products.

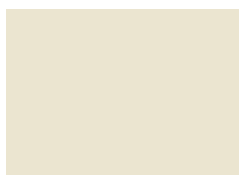
Deviations are possible (shade and shine) due to the different manufacturing techniques used for the original colours. RAL and NCS are manufacturer designations.

This colour chart only represents the range of Zehnder colours available. It is not representative of the actual colour finish. Please ask for a colour chart from which to confirm your selection before placing your order.

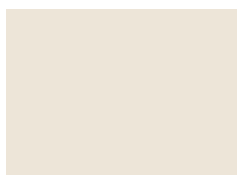
Natural



Edelweiss
0067



Cream
RAL 9001 / 9001*



Pergamon
0081*



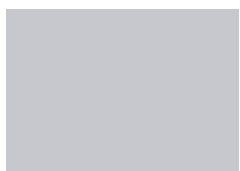
Jasmin
0072



Oyster White
RAL 1013 / 1013*



Grey White
RAL 9002 / 9002*



Chinchilla
0064



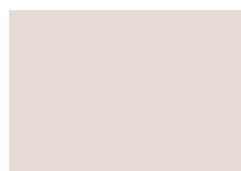
Manhattan
0077*



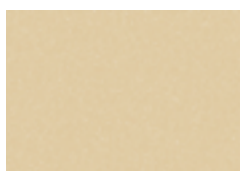
Natura
0035*



Bahama
0054*



Petal
0510*



Sand Quartz
0522



Beige Quartz
0523



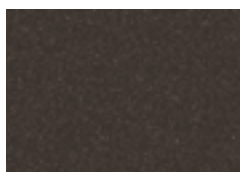
Caramel Quartz
0511



Terracotta Quartz
0512



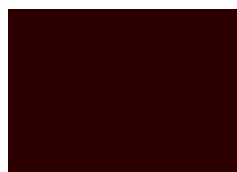
Gold Look
0514*



Brown Quartz
0529

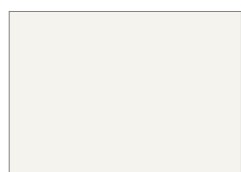


Dark Brown
0847



Chocolate Brown
RAL 8017 / 8017*

Standard



Traffic White
RAL 9016 / 9016*

Surfaces



Chrome
0008



Technoline (Clear)
0325* Bare-metal lacquer
Only available for
Charleston range



**Copper-black
hammered finish**
0421* Only available for
Charleston range



Stainless Steel
Only available for
stainless steel radiators

General Information

Heat Loss Calculator

This easy-to-use heat calculator can work out the heat requirements for your room.

Stage 1 Take the room dimensions in metres

Width m Length m Height m

calculate the volume ($W \times L \times H$) = cubic metres

Stage 2 Heating requirements per room type

Living Room / Dining Room / Bathroom volume

multiply volume as calculated in Stage 1 by 50 = Watts required

Bedroom volume

multiply volume as calculated in Stage 1 by 40 = Watts required

Kitchen / Hallway volume

multiply volume as calculated in Stage 1 by 30 = Watts required

Stage 3 Other factors for consideration

Is the property exposed? a

Does the room have large areas of glazing? b

Are the windows double glazed? c

If factor 'a' applies, increase the Watts required at Stage 2 by 15%

If factor 'b' applies, increase the Watts required at Stage 2 by 20%

If factor 'c' applies, decrease the Watts required at Stage 2 by 10%

If factor 'a' and 'b' apply, increase the Watts required at Stage 2 by 35%

If factor 'a' and 'c' apply, increase the Watts required at Stage 2 by 5%

If factor 'b' and 'c' apply, increase the Watts required at Stage 2 by 10%

If factor 'a', 'b' and 'c' apply, increase the Watts required at Stage 2 by 25%

Please note that this calculator is provided as a guide only.

To convert Watts to BTUs, multiply by 3.412.

For an approximate conversion from $\Delta T50^{\circ}\text{C}$ to $\Delta T60^{\circ}\text{C}$, multiply the $\Delta T50^{\circ}\text{C}$ by 1.25.

Terms and Conditions of Trading

A complete copy of the company's terms and conditions of trading are available on our website www.zehnder.co.uk

In addition to the Terms and Conditions, please note the following:

- All delivery times quoted are estimates only. Orders under £100 net value are subject to a delivery charge of £7.50 plus VAT.
- Returned goods for credit will only be accepted by prior arrangement (confirmed in writing), within 8 weeks of the date of despatch, where the goods are part of our stock range and where the goods are as fit for sale on their return as they were on delivery. We cannot accept the return of bespoke goods.
- Where a radiator is returned as no longer required and an alternative radiator is not ordered a 25% restocking fee plus a £10 administration fee will be charged. If a radiator is no longer required but an alternative radiator is ordered, either a restocking fee of £25 or 25% of the value (whichever is the lower) will be charged, but the administration fee of £10 will be waived.
- We warrant the goods for a period of five years for steel radiators, 10 years for stainless steel and aluminium radiators, 2 years for radiator electrical componentry and 3 years for extractor fans, from the date of delivery. The warranty is subject to correct installation to current standards/water treatments and use.
- Radiators with steel components (other than stainless steel) must not be installed on a domestic hot water circuit. If a stainless steel or brass product is to be installed on the domestic hot water circuit, a check should be made with the local water authority to ensure that dezincification is not a common occurrence.
- Artificially softened water should not be used to fill radiators. For FAQ radiator/water-related information, visit www.fernox.com
- All measurements given in this brochure are nominal dimensions only.
- Any typographical, clerical or other error or omission in any literature, quotation, price list, or other document issued by us will be subject to correction without liability being incurred by us.

Bathroom Zones

The diagram below shows a bathroom divided into four clear zones: 0, 1, 2 and outside zones. Please note, the diagram is only a guide and is NOT to scale. Please refer to I.E.E Wiring Regulations (BS 7671:2008) for detailed information.

Zone 0: Inside the bath

Zone 1: Area above bath / shower tray to a height of 2.25m.

Minimum rating of IPX4 should be used unless water spray will be present. In this case, a rating of IPX5 should be used.

Zone 2: Area stretching 0.6m from zone 1.

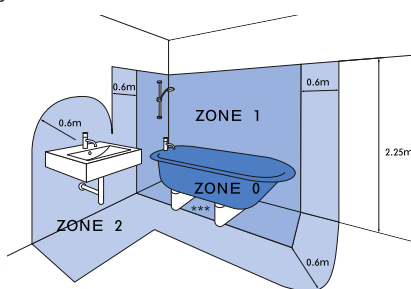
Minimum rating of IPX4 should be used here.

Outside Zones: No water spray is likely to be used here, therefore, no IP rating is required.

IP Rating: "X" denotes level of security against dust particles. Second digit denotes level of "watertightness".

IPX5: Protected against low pressure water jets

IPX4: Protected against splashing water



Frequently Asked Questions

Why is it important with some of the models that the flow is in a specific connection position?

Some of the design radiators have baffles inside the water-carrying tubes to divert the water flow around the whole radiator to maximize efficiency. Check the installation instructions to see if this applies to the radiator before it is installed.

What is an inhibitor and why should it be used in a central heating system?

An inhibitor is a chemical mix that should be added to the central heating system water to prevent corrosion and to prolong the life of the system. When new or additional radiators are being installed, the system should be drained, cleaned and flushed in accordance with BS7593 and a good quality chemical water treatment inhibitor should be added to the heating system.

Can steel and aluminium radiators be put on the same system?

Yes, as long as an inhibitor for mixed metal systems is used. In reality, most systems are already mixed metal, as many have aluminium heat exchangers in the boiler, plus copper pipes and steel radiators already installed.

Why is it important to use dual energy installations correctly?

Simultaneous use of the electrical element and the central heating system should be avoided as this will shorten the life of the element and invalidate the warranty. Correct use is as follows: In summer when the central heating is switched off, vent the radiator to ensure there is no air present, then close the flow valve (only) and activate the immersion heater. In winter, de-activate the immersion heater and open the flow valve.

What is the difference between outputs listed at $\Delta T60^{\circ}\text{C}$ and $\Delta T50^{\circ}\text{C}$?

$\Delta T60^{\circ}\text{C}$ allows for older boiler systems, whilst $\Delta T50^{\circ}\text{C}$ is the new European testing standard for modern boilers, such as condensing boilers, which have lower flow and return temperatures. Therefore, to avoid radiators being incorrectly sized, it is important to know the system's temperatures and take them into consideration.



Heating

Cooling

Fresh Air

Clean Air

Zehnder – solutions for the perfect indoor climate.

Zehnder, leading manufacturers of decorative radiators, towel rails and extractor fans, is committed to innovation, originality and offering the best in quality and service. With a portfolio of traditional and contemporary designs, including an extensive stainless steel range, bespoke made-to-measure options and hundreds of different colours to choose from, Zehnder offers a solution for all lifestyles and preferences.

Zehnder affirms that all our products are tested to the European Standard EN442 and that our published outputs are fully in line with the testing criteria. Our aim is to provide reliability and precision at every stage of the design process and to give specifiers and installers confidence in the sizing of all our radiators and heated towel rails.

Contact details:

Zehnder (retail) · Watchmoor Point · Camberley · Surrey · GU15 3AD
T +44 1276 605855 · Lo-call 0844 9396347 · F +44 1276 24058 · Lo-call 0844 9396341
retailsales@zehnder.co.uk · www.zehnder.co.uk

always
around you

zehnder

