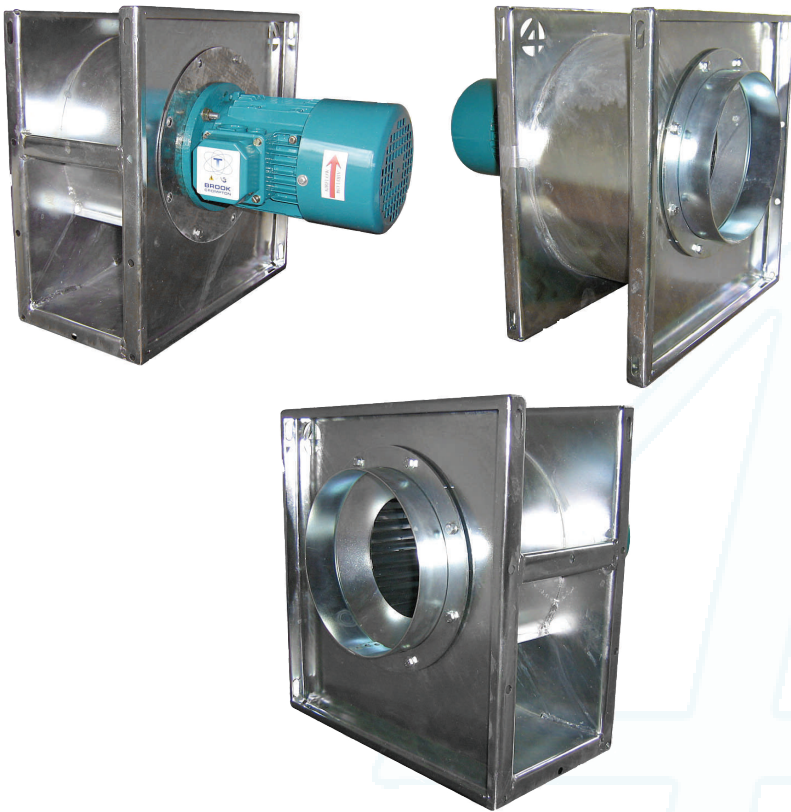


4 Option 4

CENTRIFUGAL FANS

The versatile air movement solution



BFBL Model

Single Inlet

Direct Drive

Single Inlet Fans

A range of 7 direct drive centrifugal fans offering better efficiency than an equivalent BFFC model at 1440rpm*.

The compact design makes it easy to handle, install and fit.

- 4 discharge positions
- Easy installation
- Temperatures to 85°C
- Galvanised or zinc finish
- Inlet is sized to fit standard spiral duct
- Speed controllable
- Full range of ancillaries

Typical applications

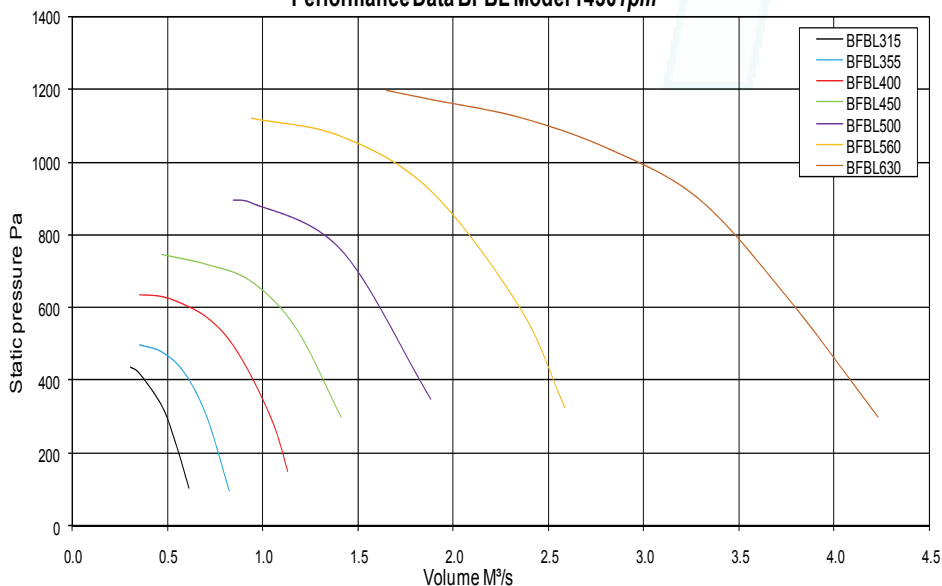
Dust, fume and clean air extraction. Supply air input, cooling, and general ventilation.

Specification

The fan case and impeller are manufactured from mild steel, with zinc plated finish or galvanised sheet steel. Motors are aluminium TEFC class F-IP55

*nominal motor speed

Performance Data BFBL Model 1430 rpm



Lead time for standard models is usually 10-14 days (subject to availability)

Air movement options 4 you!

BFBL Model

The BFBL model uses a backward bladed impeller, dynamically balanced and utilising a taper lock hub. This has the advantage of easy removal for cleaning and maintenance purposes, especially when the fan is used in dust and fume extraction applications. The BFBL model will handle air up to 85°C and comes as standard with spigot inlet and right hand rotation.

Certain variants from standard are available, but will be on a longer lead time. Check with your distributor for details.

Motors are TEFC type IP55 protection and insulation to class F.

The bearings are sealed for life, so no provision is made for lubrication.

Speed control is by O4VS drive.

Accessories

A full range of accessories are available incl:

- Inlet and outlet adapters
- Flexible connections
- Anti vibration mounts
- Stop/Starters
- Speed controllers

TECHNICAL DATA

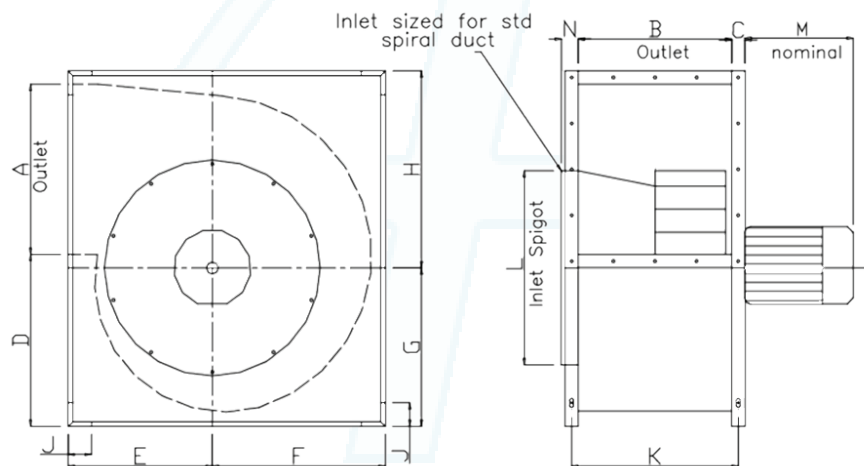
Fan Code	Phase	RPM	Kw	flc-415v	sc-DOL
BFBL315	3	1410	0.55	1.5	6.9
BFBL355	3	1410	0.55	1.5	6.9
BFBL400	3	1400	0.75	1.9	8.4
BFBL450	3	1390	1.1	2.84	13.6
BFBL500	3	1390	1.5	3.5	16.8
BFBL560	3	1415	3	6.4	33.9
BFBL630	3	1440	5.5	11.3	74.6

sound power in-duct

63	125	250	500	1K	2K	4K	8K
62	60	57	55	53	50	47	44
67	65	62	60	58	55	52	49
72	70	67	65	63	60	57	54
74	72	69	67	65	62	59	56
76	74	71	69	67	64	61	58
79	77	74	72	70	67	64	61
81	79	76	74	72	69	66	63

NOTE! Noise is calculated, assuming a ducted inlet and will vary according to site conditions and working point of fan

DIMENSIONAL DATA



Fan Code	A	B	C	D	E	F	G	H	J	K	L	M	N
BFBL315	308	276	43	313	280	313	286	371	77	319	315	190	50
BFBL355	340	304	43	338	280	347	315	407	77	347	355	190	50
BFBL400	375	340	43	366	304	380	340	449	77	383	400	190	50
BFBL450	413	372	43	411	352	418	380	489	77	415	450	210	50
BFBL500	457	410	43	450	362	503	413	538	77	453	500	234	50
BFBL560	498	448	43	499	394	546	457	583	77	491	560	268	50
BFBL630	552	498	43	558	470	560	507	660	77	541	630	280	50



For further details and information please contact your supplier.

www.optionfour.co.uk