

CONTINENTAL

HYDRAULICS.

Catalog NFPA/JIC Style Hydraulic Power Units

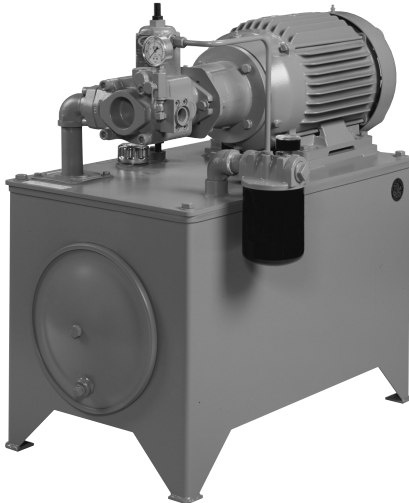




NFPA/JIC Style Power Units

10 TO 210 GALLON CAPACITY

Table of Contents



NFPA/JIC Style Power Units are especially designed for rugged, continuous use. They are ideal for industrial applications requiring flexibility in design and rugged construction.

Typical applications include use with:

- Pressing and Clamping Circuits
- Machine Tools and Machining Centers
- Conveyor Systems
- Machine Feeder Systems
- Industrial Trash Compactors and Balers

Make the NFPA/JIC Style Power Unit your choice for your most demanding industrial applications.

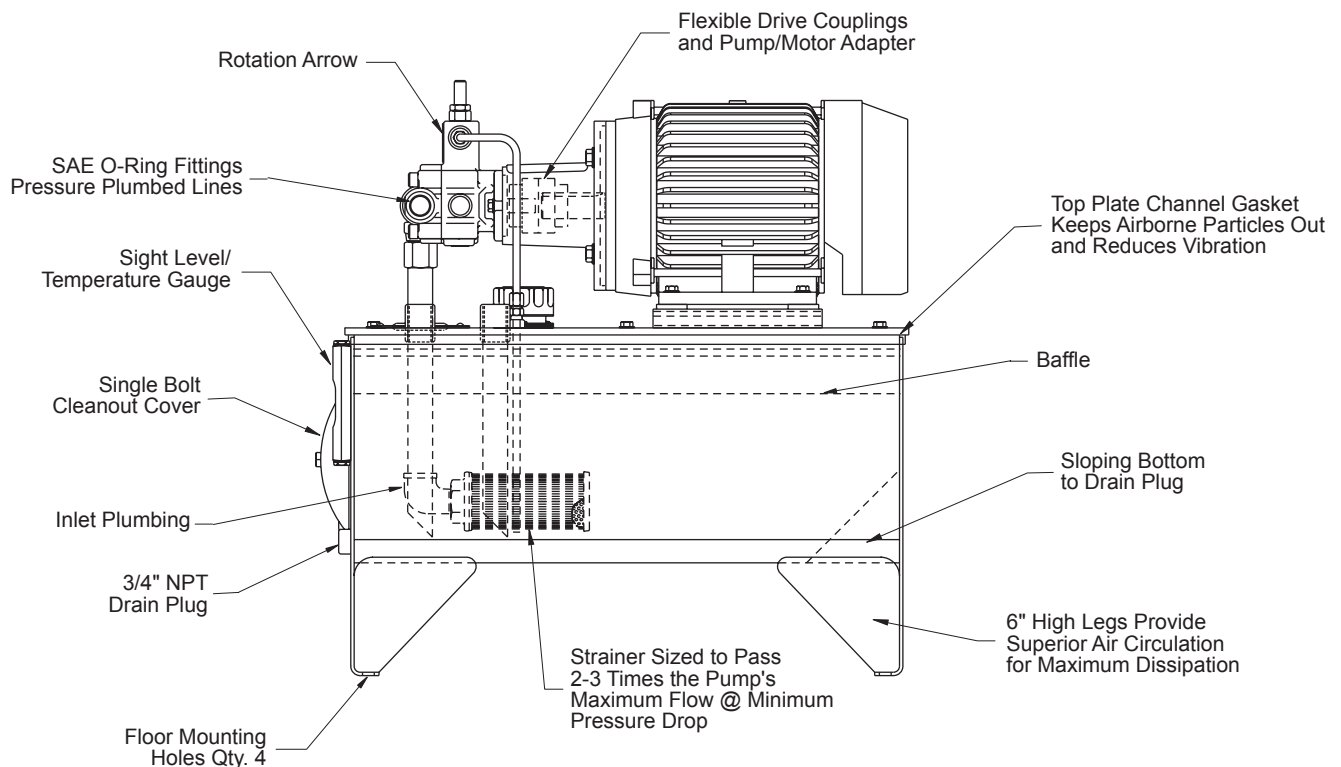
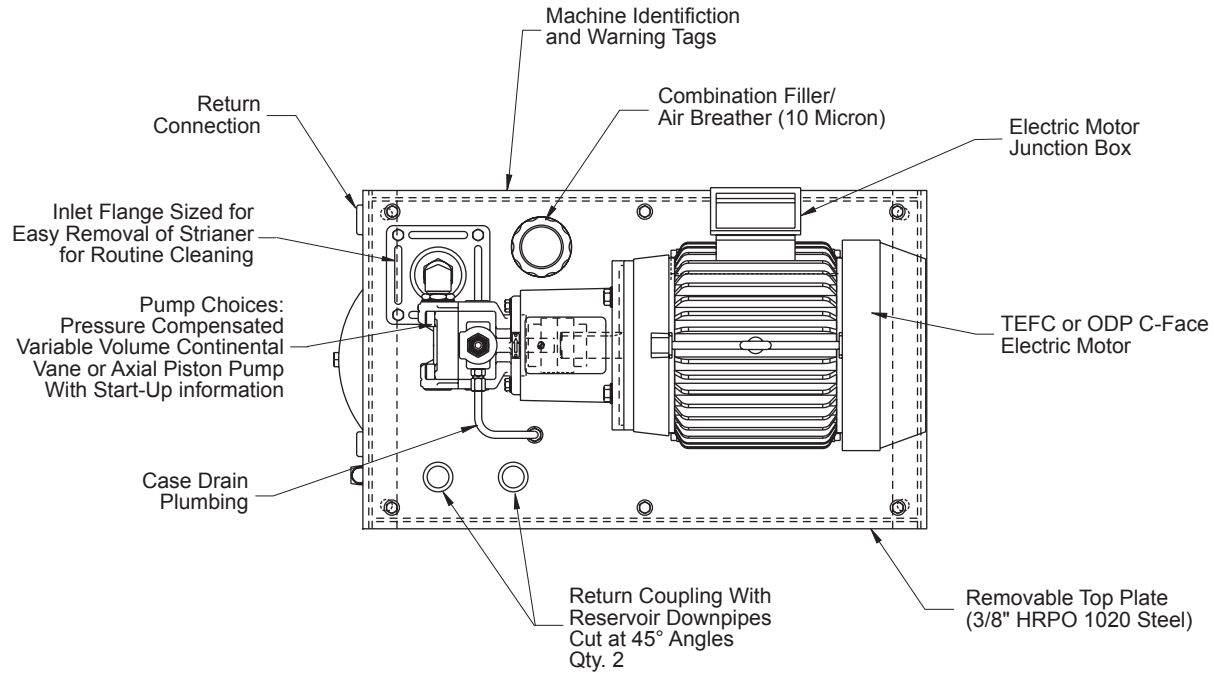
Table of Contents

| | |
|---|-------|
| Features | 4 |
| Typical Schematic and Codes | 5 |
| 10 Gallon Capacity Power Unit | 6-7 |
| 20 Gallon Capacity Power Units | 8-13 |
| 35/50 Gallon Capacity Power Units | 14-31 |
| 50 Gallon Capacity Power Unit | 32-33 |
| 70 Gallon Capacity Power Units | 34-45 |
| 90 Gallon Capacity Power Units | 46-57 |
| 130/160 Gallon Capacity Power Units | 58-65 |
| 210 Gallon Capacity Power Units | 66-73 |
| Ordering Code Information | 74-75 |

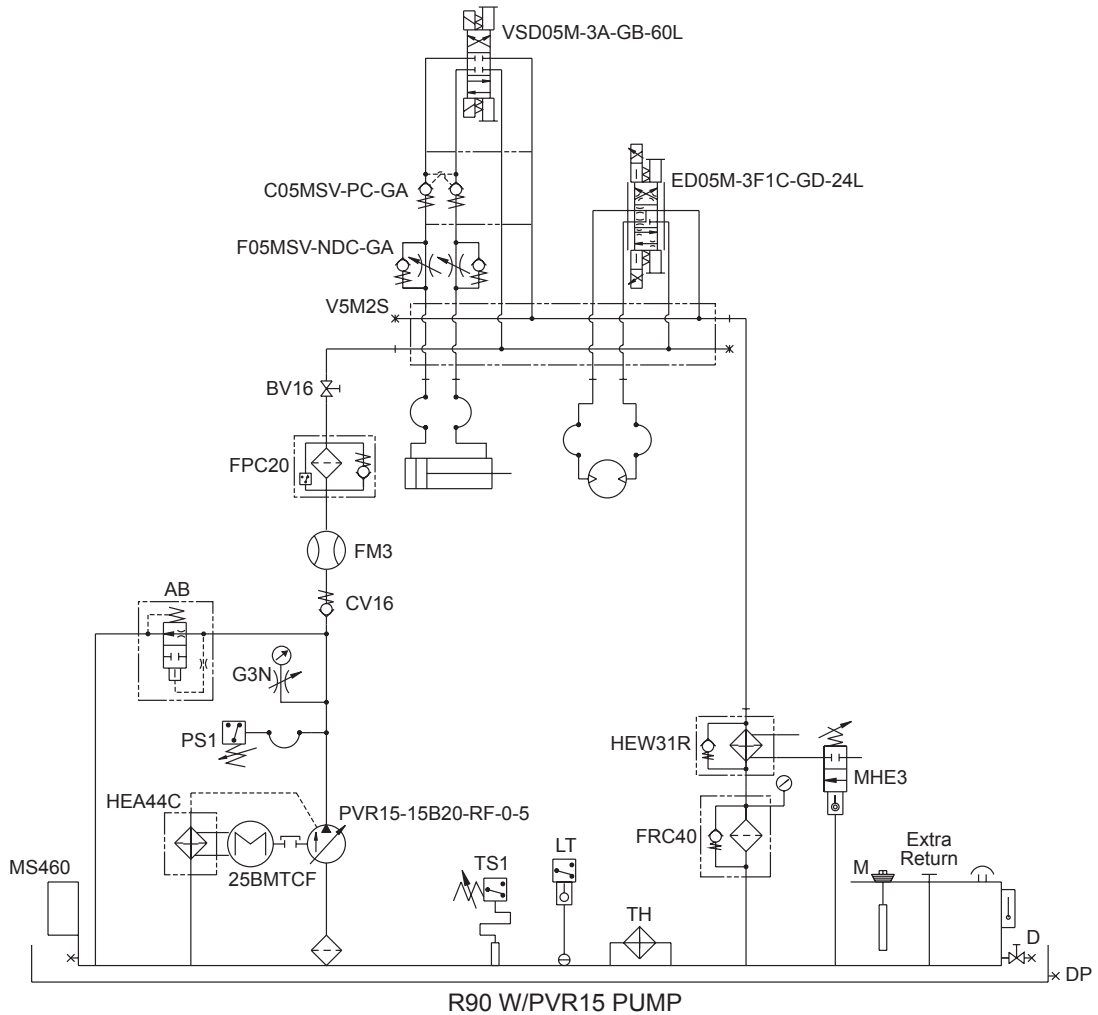
NFPA/JIC Style Power Units

10 TO 210 GALLON CAPACITY

Features



NFPA/JIC Style Power Units
 10 TO 210 GALLON CAPACITY
 Typical Schematic and Codes



Schematic Code Descriptions

| Model Code | Description | Model Code | Description |
|--------------------|---|------------|---|
| R90 | 90 Gallon Reservoir | FM3 | Flow Meter, SAE-20 Ports, 10 - 75 gpm (37.8 - 283.9 lpm) |
| DP | Drip Pan (Optional) | LT | Level/Temperature Switch |
| 25BMTCF | Motor 25 H.P. (18.6 kW), 1800rpm, TEFC, 284TC | PS1 | Pressure Switch, 200 - 3000 psi (14 - 207 bar) Adjustment |
| F | Installed Customer Motor | TS1 | Temperature Switch, 30°F. - 250°F. (-1°C. - 121°C.) Adjustment |
| H1 | Petroleum Based Oil | TH | Tank Heater 30°F. - 110°F. (-1°C. - 43°C.) Adjustment |
| G3 | 0 - 3000 psi (0 - 207 bar) Pressure Gauge | FRC40 | Return Filter, 1-1/4 NPT Ports, 40 gpm (151.4 lpm), 10 Micron |
| N | Gauge Snubber/Shut-off Valve, SAE-4 Ports | FPC20 | Pressure Filter, SAE-16 Ports, 20 gpm (75.7 lpm), 10 Micron |
| AB | Air Bleed Valve | HEA44C | Case Drain Cooler, SAE-8 Ports |
| D | Reservoir Drain Valve, 3/4 NPT | HEW31R | Water-to-Oil Heat Exchanger, SAE-24 Ports |
| M | Magnet | MHE3 | Water Modulating Valve, 3/4 NPT Ports, 100°F. - 140°F. (38°C. - 60°C.) Adjustment |
| CV16 | Check Valve, SAE-16 Ports, 7 psi (0.5 bar) Cracking | V5M2S | D05 2 Station Manifold, SAE-8 "A" and "B" Ports |
| BV16 | High Pressure Ball Valve, SAE-16 Ports | | |
| Model Code | Description | | |
| PVR15-15B20-RF-0-5 | Vane Pump, 15 gpm (56.8 lpm), 2000 psi (138 bar) | | |
| VSD05M-3A-GB-60L | D05 Directional Control Valve | | |
| C05MSV-PC-GA | D05 Modular Stack Cross-Port Check Valve | | |
| F05MSV-NDC-GA | D05 Modular Stack Dual Flow Control Valve | | |
| BD05-667 | D05 Bolt Kit, 6.67" Long | | |
| ED05M-3F1C-GD-24L | D05 Proportional Directional Control Valve | | |
| BD05-175 | D05 Bolt Kit, 1.75" Long | | |

NFPA/JIC Style Power Units

10 GALLON CAPACITY

Dimension Drawing - With PVR6 Vane Pump

CONTINENTAL

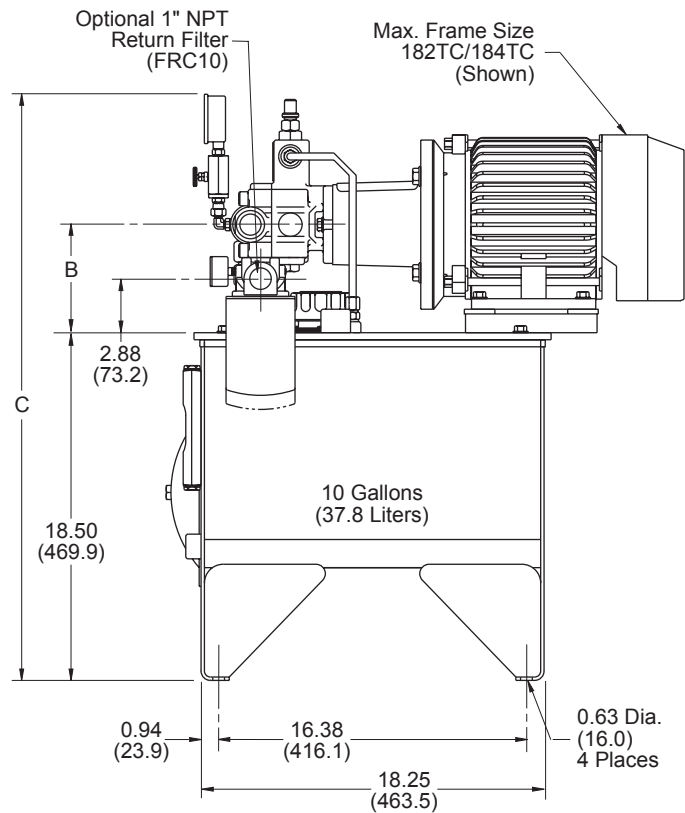
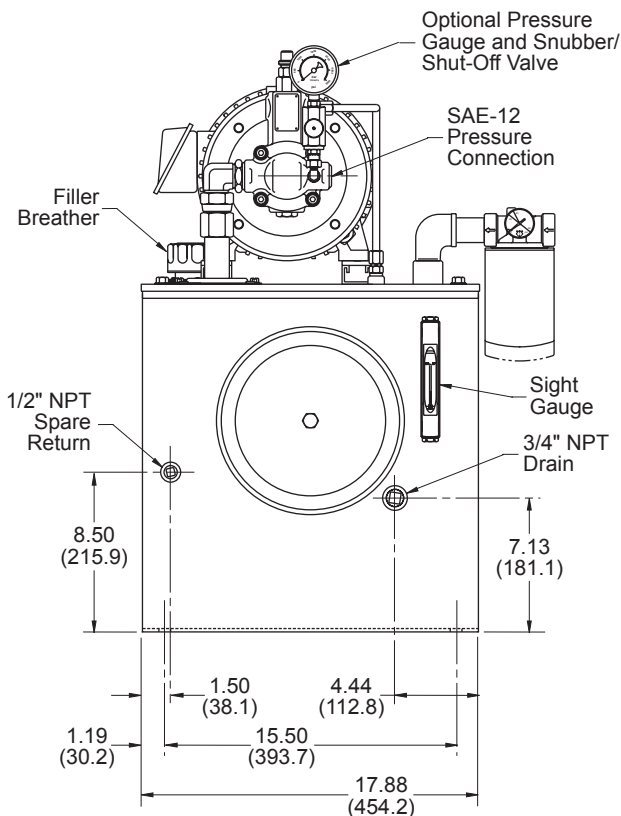
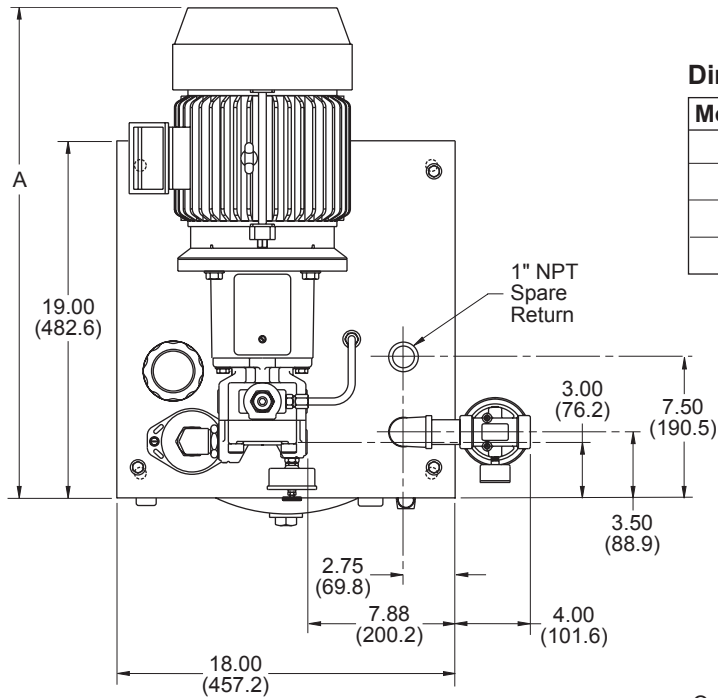


HYDRAULICS

Dimensions shown in: Inches (± .125)
millimeters (± 1 mm)

Dimensions

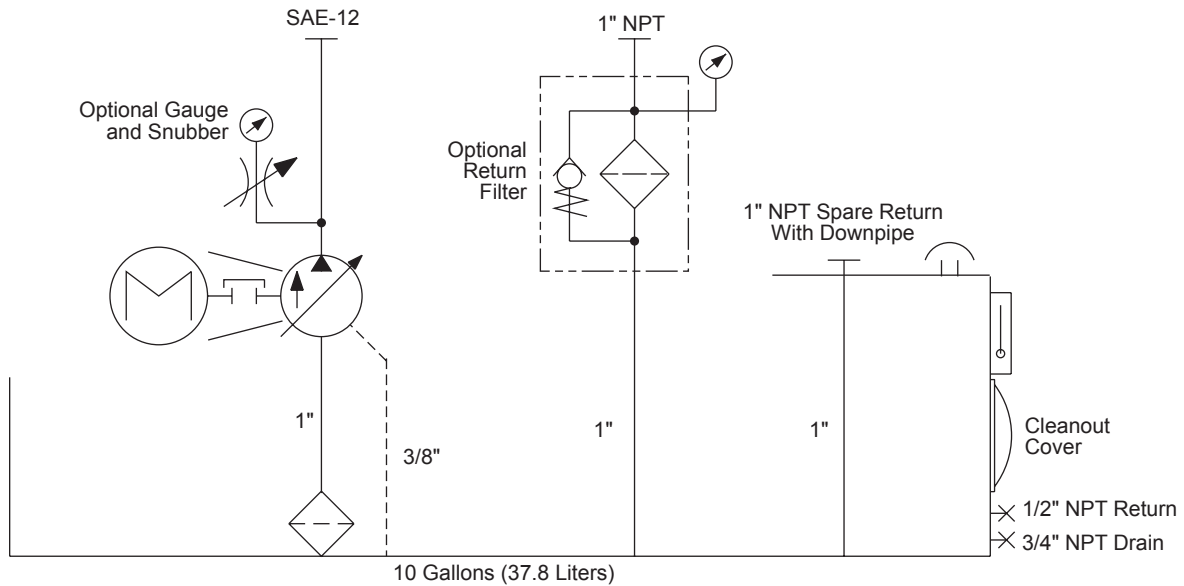
| Motor Frame | A | B | C |
|-------------|---------------|--------------|---------------|
| 143TC | 21.92 (556.8) | 4.75 (120.6) | 30.25 (768.3) |
| 145TC | 21.92 (556.8) | 4.75 (120.6) | 30.25 (768.3) |
| 182TC | 24.06 (611.1) | 5.75 (146.0) | 31.25 (793.7) |
| 184TC | 25.06 (636.5) | 5.75 (146.0) | 31.25 (793.7) |



NFPA/JIC Style Power Units

10 GALLON CAPACITY

Schematic and Specifications - With PVR6 Vane Pump



| GENERAL SPECIFICATIONS | R10 |
|--|---|
| Reservoir Capacity | 10 Gal. (37.8 liters) |
| Surface Area For Heat Transfer | 6.11 sq. ft. (5676.2 cm ²) |
| Heat Dissipation | Sq. Ft. of Vertical Steel x ΔT / 1000 |
| Basic Weight (Less Oil, Pump, and Motor) | 180 lbs. (81.7 kg) |
| Usable Gallons | 3.69 Gal. (14.0 liters) |
| Gallons Per Inch Rise | 1.32 Gal. (5.0 liters) |
| Capacity, Full to Top Plate | 14.93 Gal. (56.5 liters) |
| Capacity, High on Sight Gauge | 10.65 Gal. (40.3 liters) |
| Capacity, Low on Sight Gauge | 6.70 Gal. (25.4 liters) |
| Pump Data* | |
| Flow Range | Up to 10 gpm (37.8 lpm) |
| Pressure Range | Up to 2000 psi (138 bar) |
| Power Range | Up to 5 HP (3.7 kW) |

* See Continental Hydraulics Vane Pump or Piston Pump Catalogs for complete codes and specifications.

NFPA/JIC Style Power Units

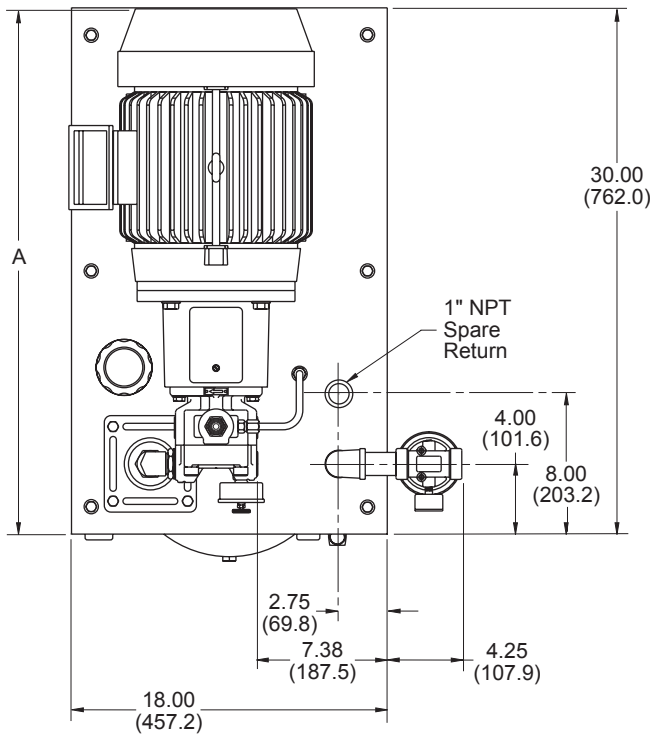
20 GALLON CAPACITY

Dimension Drawing - With PVR6 Vane Pump

CONTINENTAL



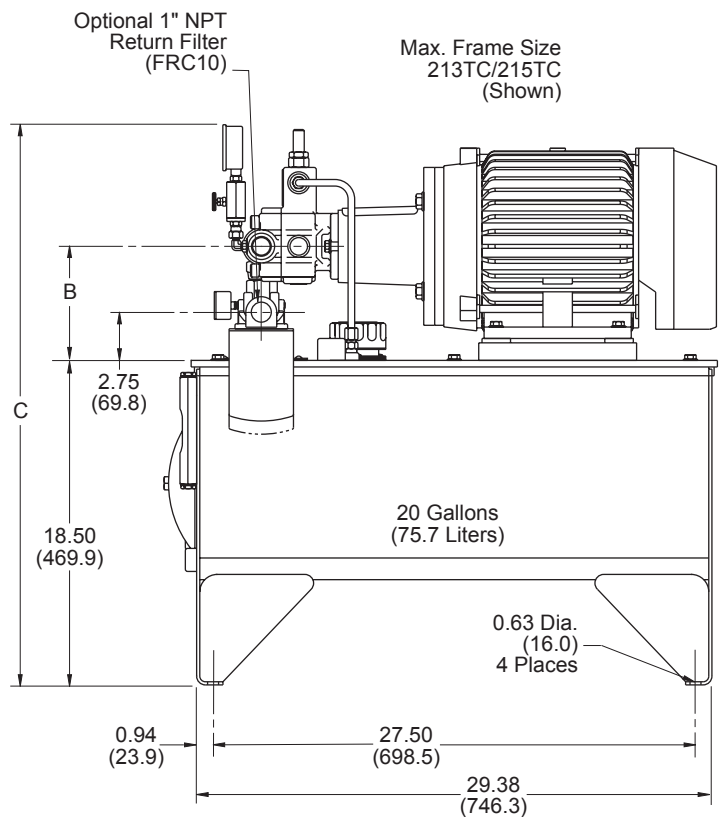
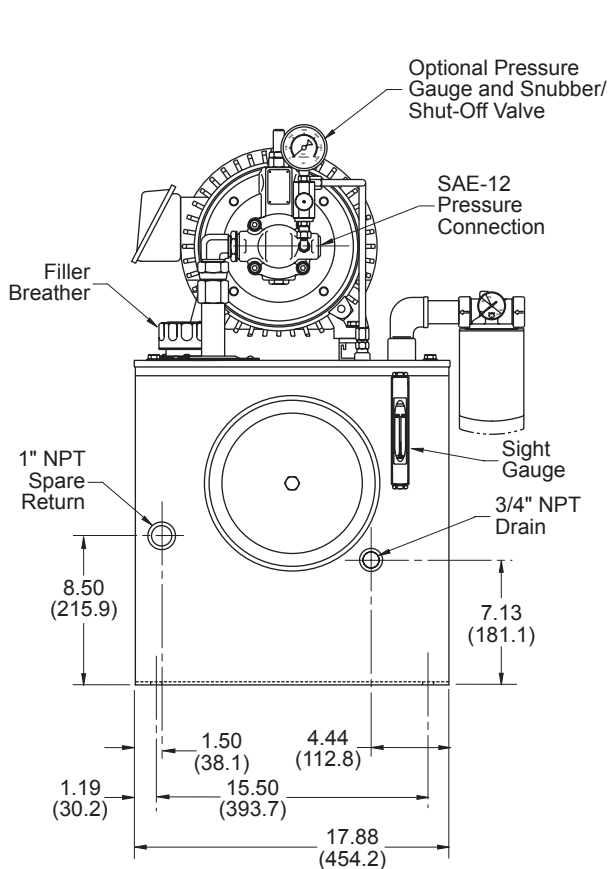
HYDRAULICS



Dimensions shown in: Inches ($\pm .125$)
 (millimeters (± 1 mm))

Dimensions

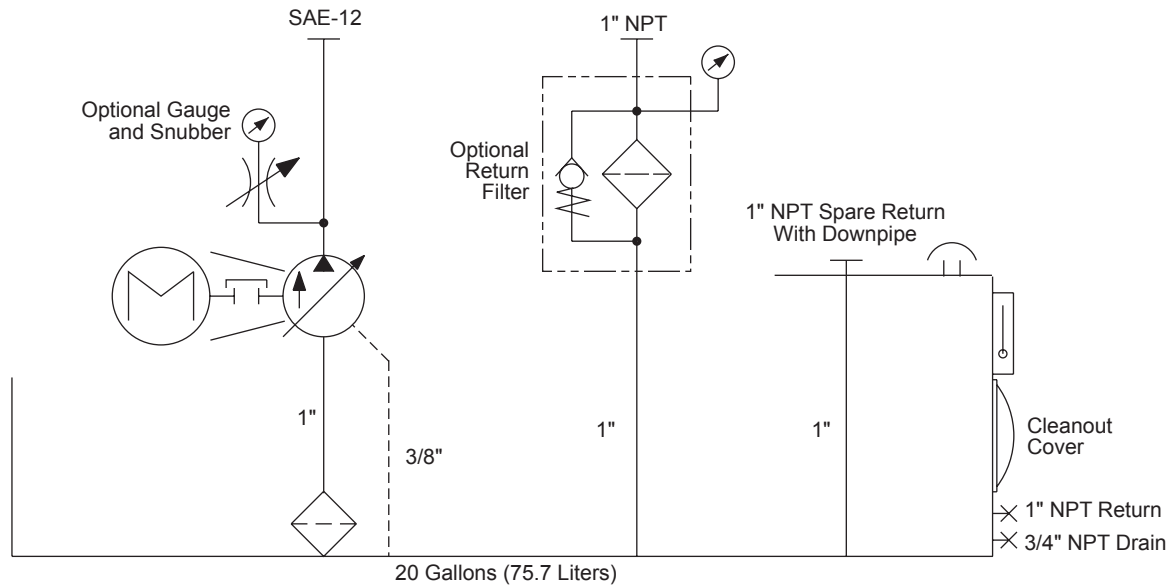
| Motor Frame | A | B | C |
|-------------|---------------|--------------|---------------|
| 143TC | 22.92 (582.2) | 4.75 (120.6) | 30.25 (768.3) |
| 145TC | 22.92 (582.2) | 4.75 (120.6) | 30.25 (768.3) |
| 182TC | 25.06 (636.5) | 5.75 (146.0) | 31.25 (793.7) |
| 184TC | 26.05 (661.7) | 5.75 (146.0) | 31.25 (793.7) |
| 213TC | 28.20 (716.3) | 6.50 (165.1) | 32.00 (812.8) |
| 215TC | 29.69 (754.1) | 6.50 (165.1) | 32.00 (812.8) |



NFPA/JIC Style Power Units

20 GALLON CAPACITY

Schematic and Specifications - With PVR6 Vane Pump



| GENERAL SPECIFICATIONS | R20 |
|--|---|
| Reservoir Capacity | 20 Gal. (75.7 liters) |
| Surface Area For Heat Transfer | 9.50 sq. ft. (8825.5 cm ²) |
| Heat Dissipation | Sq. Ft. of Vertical Steel x $\Delta T / 1000$ |
| Basic Weight (Less Oil, Pump, and Motor) | 244 lbs. (110.7 kg) |
| Usable Gallons | 7.40 Gal. (28.0 liters) |
| Gallons Per Inch Rise | 2.13 Gal. (8.1 liters) |
| Capacity, Full to Top Plate | 24.76 Gal. (93.7 liters) |
| Capacity, High on Sight Gauge | 20.24 Gal. (76.6 liters) |
| Capacity, Low on Sight Gauge | 12.84 Gal. (48.6 liters) |
| Pump Data* | |
| Flow Range | Up to 10 gpm (37.8 lpm) |
| Pressure Range | Up to 2000 psi (138 bar) |
| Power Range | Up to 10 HP (7.5 kW) |

* See Continental Hydraulics Vane Pump or Piston Pump Catalogs for complete codes and specifications.

NFPA/JIC Style Power Units

20 GALLON CAPACITY

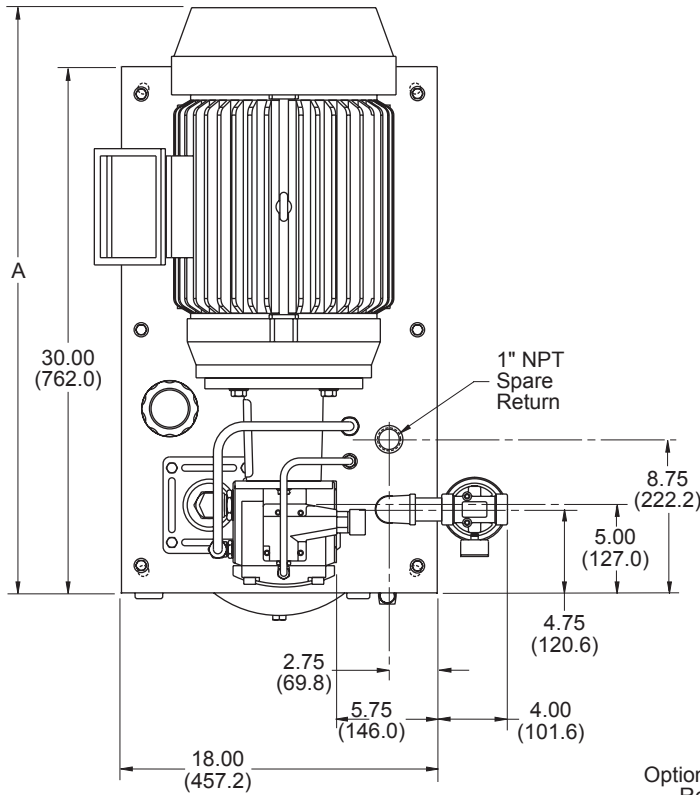
Dimension Drawing - With PVX8 Vane Pump

CONTINENTAL



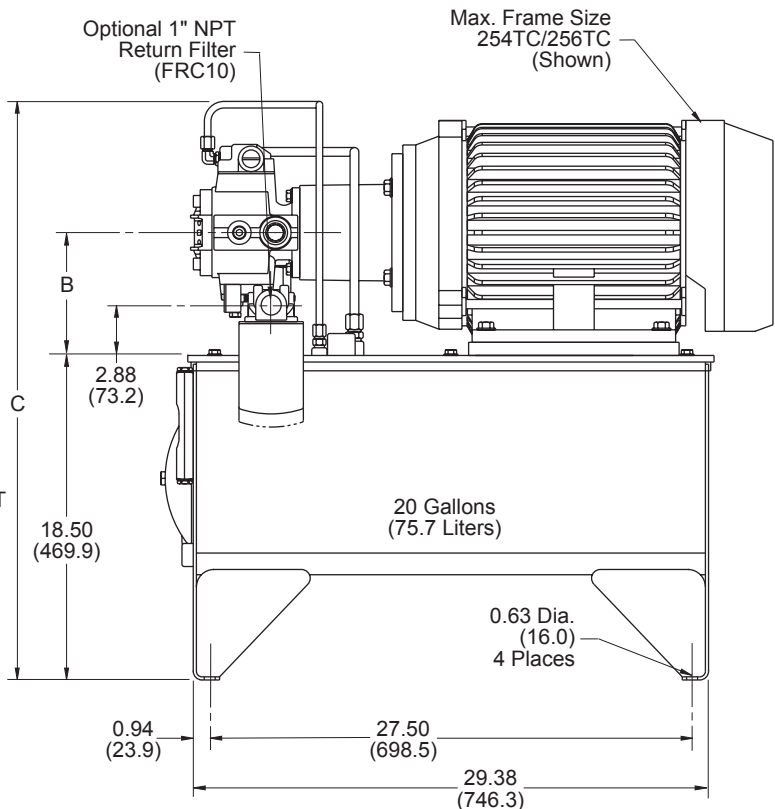
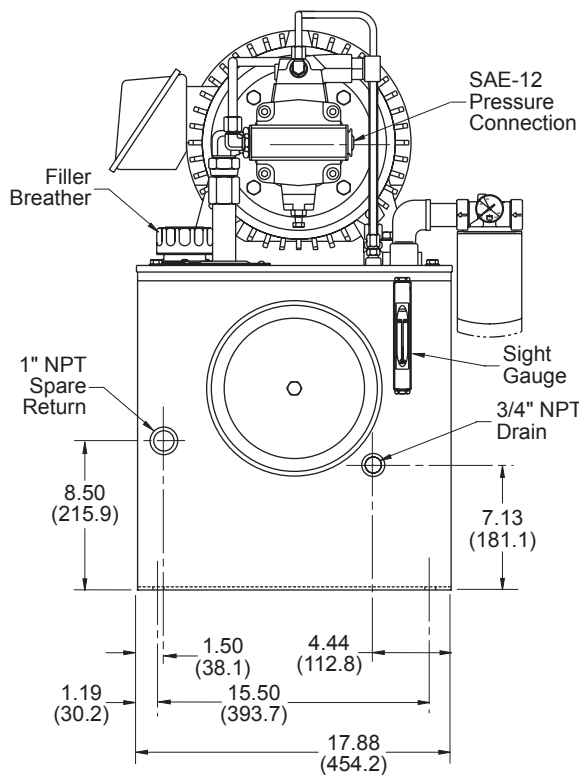
HYDRAULICS

Dimensions shown in: Inches (± .125)
millimeters (± 1 mm)



Dimensions

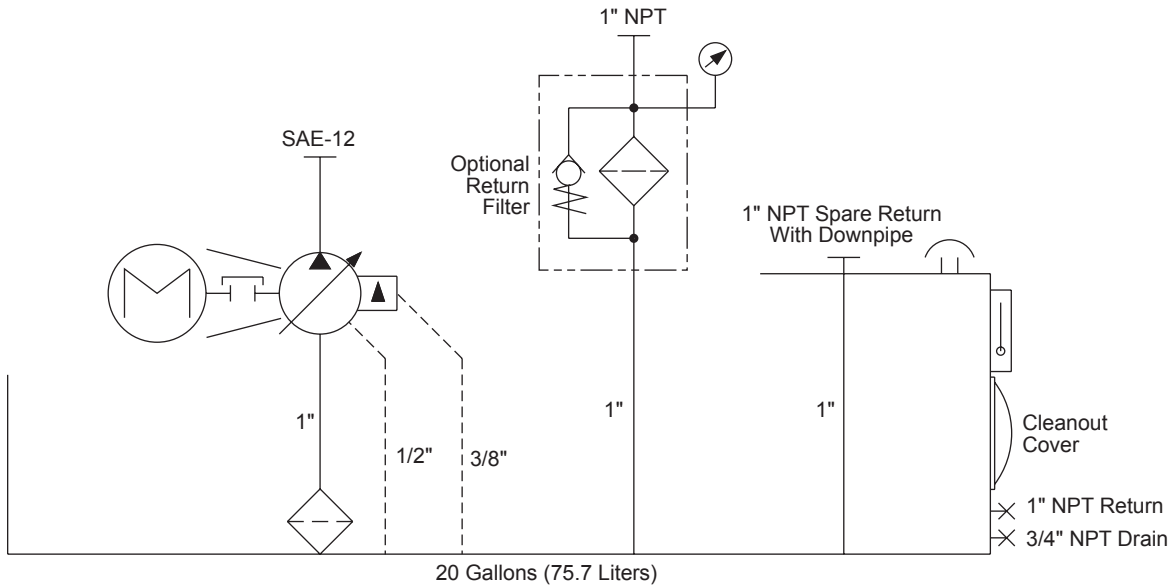
| Motor Frame | A | B | C |
|-------------|---------------|--------------|---------------|
| 182TC | 23.06 (585.7) | 5.75 (146.0) | 32.38 (822.5) |
| 184TC | 24.05 (610.9) | 5.75 (146.0) | 32.38 (822.5) |
| 213TC | 26.20 (665.5) | 6.50 (165.1) | 33.13 (841.5) |
| 215TC | 27.69 (703.3) | 6.50 (165.1) | 33.13 (841.5) |
| 254TC | 31.66 (804.2) | 7.00 (177.8) | 33.63 (854.2) |
| 256TC | 33.36 (847.3) | 7.00 (177.8) | 33.63 (854.2) |



NFPA/JIC Style Power Units

20 GALLON CAPACITY

Schematic and Specifications - With PVX8 Vane Pump



| GENERAL SPECIFICATIONS | R20 |
|--|---|
| Reservoir Capacity | 20 Gal. (75.7 liters) |
| Surface Area For Heat Transfer | 9.50 sq. ft. (8825.5 cm ²) |
| Heat Dissipation | Sq. Ft. of Vertical Steel x ΔT / 1000 |
| Basic Weight (Less Oil, Pump, and Motor) | 243 lbs. (110.2 kg) |
| Usable Gallons | 7.40 Gal. (28.0 liters) |
| Gallons Per Inch Rise | 2.13 Gal. (8.1 liters) |
| Capacity, Full to Top Plate | 24.76 Gal. (93.7 liters) |
| Capacity, High on Sight Gauge | 20.24 Gal. (76.6 liters) |
| Capacity, Low on Sight Gauge | 12.84 Gal. (48.6 liters) |
| Pump Data* | |
| Flow Range | Up to 8 gpm (30.3 lpm) |
| Pressure Range | Up to 3000 psi (207 bar) |
| Power Range | Up to 20 HP (14.9 kW) |

* See Continental Hydraulics Vane Pump or Piston Pump Catalogs for complete codes and specifications.

NFPA/JIC Style Power Units

20 GALLON CAPACITY

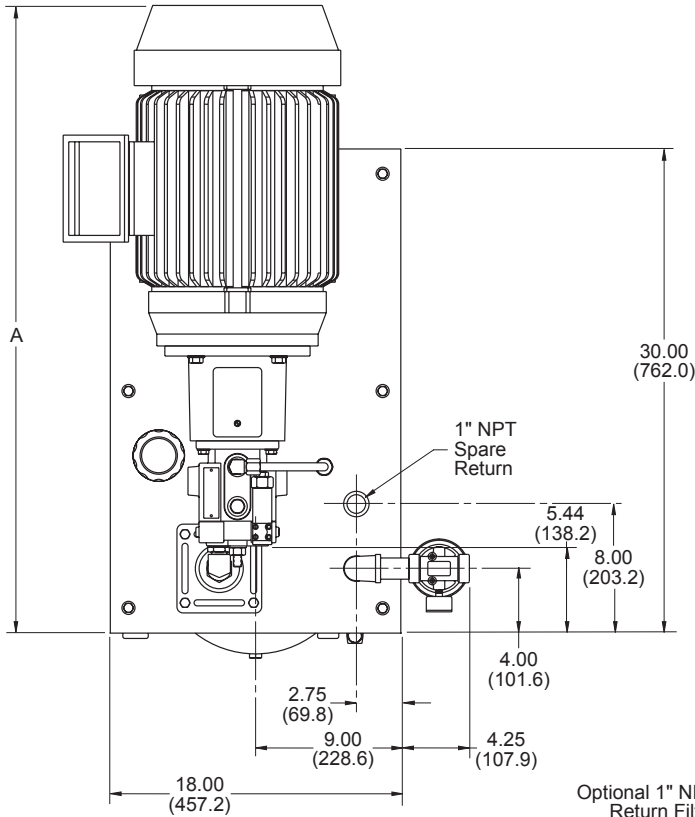
Dimension Drawing - With HPV6 Piston Pump

CONTINENTAL



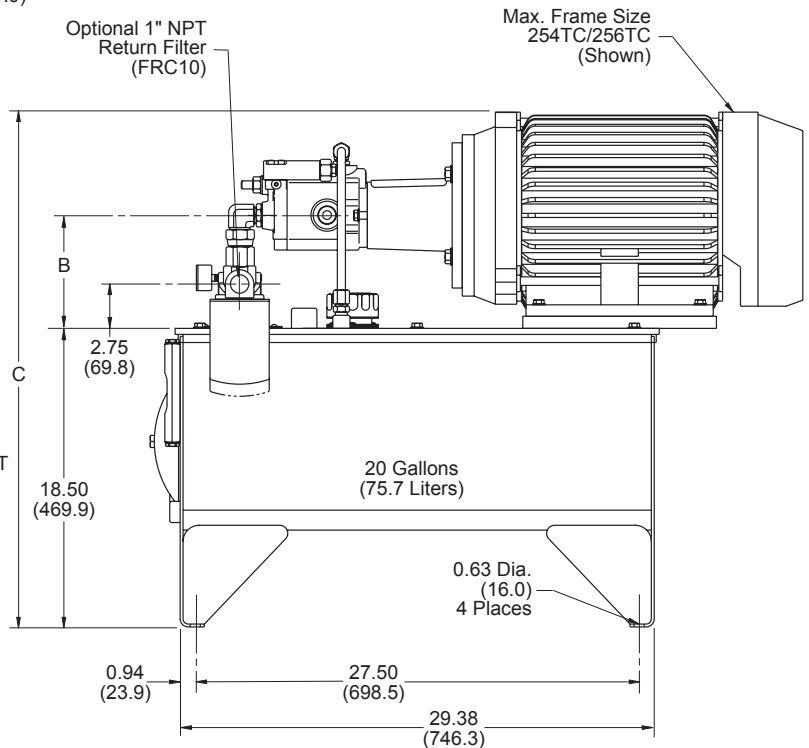
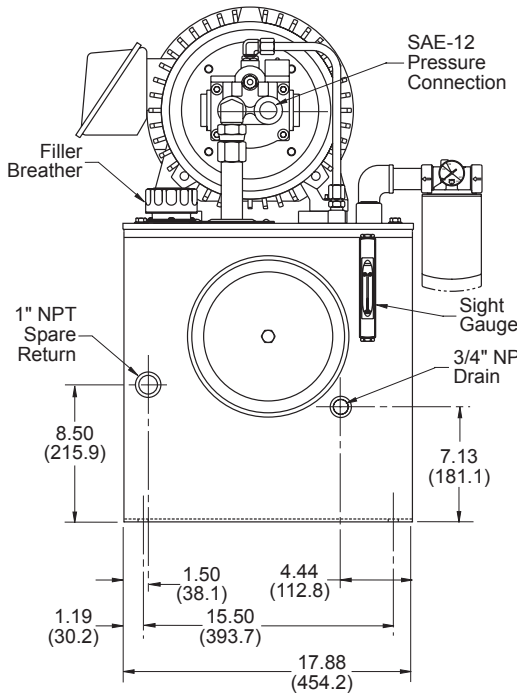
HYDRAULICS

Dimensions shown in: Inches (± .125)
 (millimeters (± 1 mm))



Dimensions

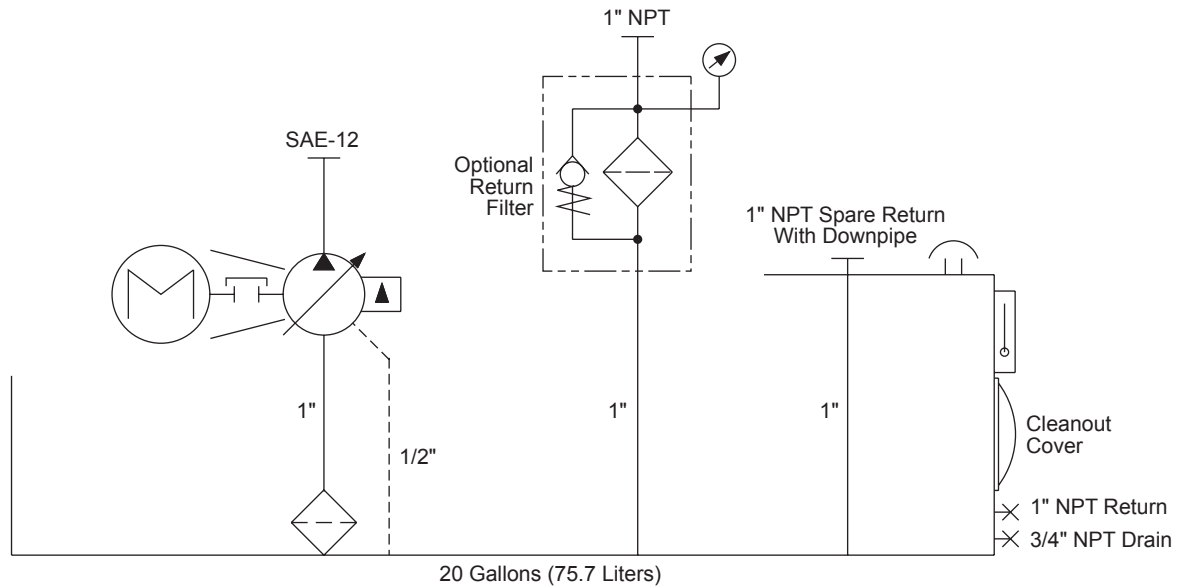
| Motor Frame | A | B | C |
|-------------|----------------|--------------|---------------|
| 182TC | 29.04 (737.6) | 5.75 (146.0) | 29.19 (741.4) |
| 184TC | 30.03 (762.8) | 5.75 (146.0) | 29.19 (741.4) |
| 213TC | 32.18 (817.4) | 6.50 (165.1) | 30.63 (778.0) |
| 215TC | 33.67 (855.2) | 6.50 (165.1) | 30.63 (778.0) |
| 254TC | 37.64 (956.1) | 7.00 (177.8) | 32.13 (816.1) |
| 256TC | 39.64 (1006.9) | 7.00 (177.8) | 32.13 (816.1) |



NFPA/JIC Style Power Units

20 GALLON CAPACITY

Schematic and Specifications - With HPV6 Piston Pump



| GENERAL SPECIFICATIONS | R20 |
|--|---|
| Reservoir Capacity | 20 Gal. (75.7 liters) |
| Surface Area For Heat Transfer | 9.50 sq. ft. (8825.5 cm ²) |
| Heat Dissipation | Sq. Ft. of Vertical Steel x $\Delta T / 1000$ |
| Basic Weight (Less Oil, Pump, and Motor) | 244 lbs. (110.7 kg) |
| Usable Gallons | 7.40 Gal. (28.0 liters) |
| Gallons Per Inch Rise | 2.13 Gal. (8.1 liters) |
| Capacity, Full to Top Plate | 24.76 Gal. (93.7 liters) |
| Capacity, High on Sight Gauge | 20.24 Gal. (76.6 liters) |
| Capacity, Low on Sight Gauge | 12.84 Gal. (48.6 liters) |
| Pump Data* | |
| Flow Range | Up to 6 gpm (22.7 lpm) |
| Pressure Range | Up to 3500 psi (241 bar) |
| Power Range | Up to 20 HP (14.9 kW) |

* See Continental Hydraulics Vane Pump or Piston Pump Catalogs for complete codes and specifications.

NFPA/JIC Style Power Units

35/50 GALLON CAPACITY

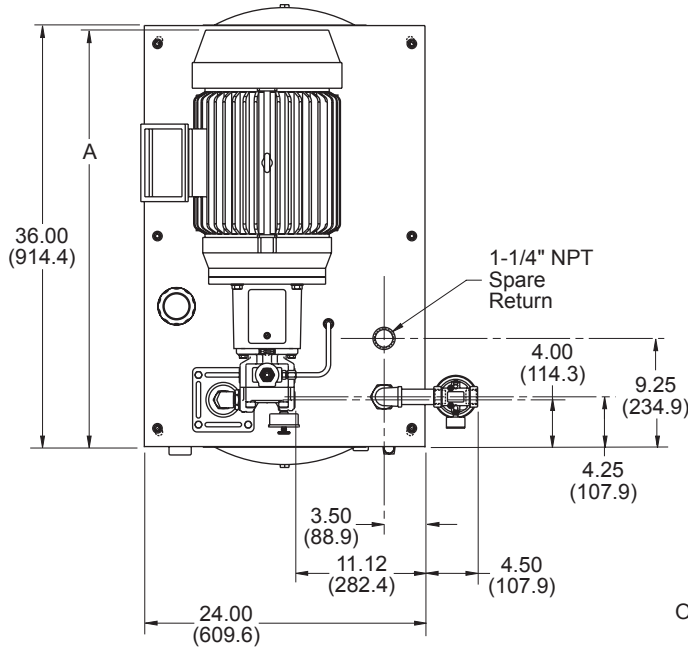
Dimension Drawing - With PVR6 Vane Pump

CONTINENTAL



HYDRAULICS

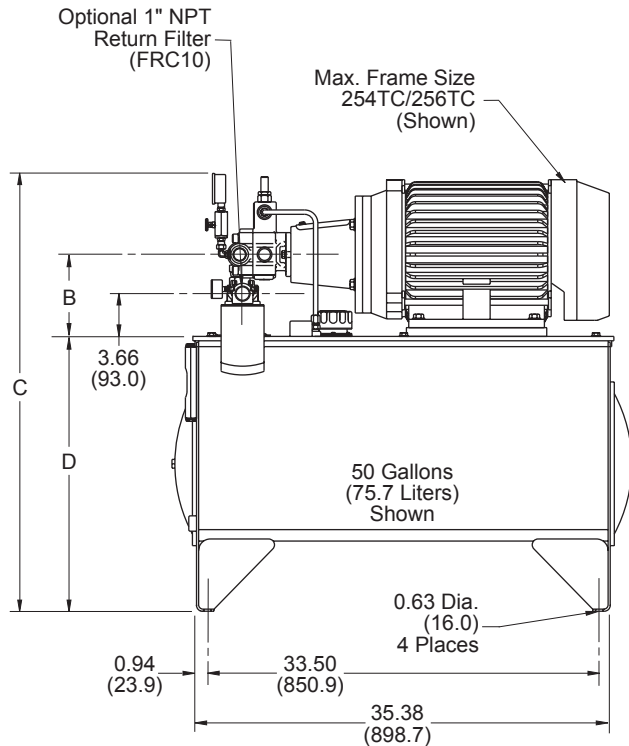
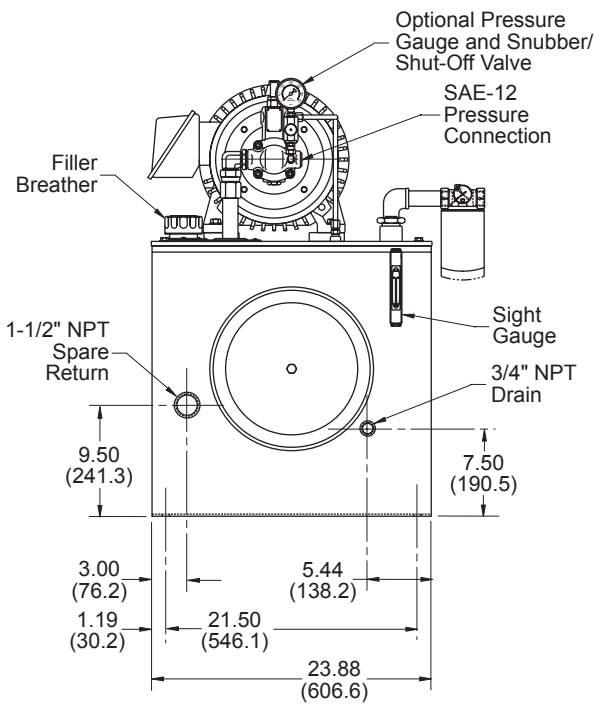
Dimensions shown in: Inches (± .125)
 (millimeters (± 1 mm))



Dimensions

| Motor Frame | A | B | C | |
|-------------|---------------|--------------|---------------|---------------|
| | | | R35 | R50 |
| 182TC | 25.06 (636.5) | 5.75 (146.0) | 31.50 (800.1) | 36.25 (920.7) |
| 184TC | 26.05 (661.7) | 5.75 (146.0) | 31.50 (800.1) | 36.25 (920.7) |
| 213TC | 28.20 (716.3) | 6.50 (165.1) | 32.25 (819.1) | 37.00 (939.8) |
| 215TC | 29.69 (754.1) | 6.50 (165.1) | 32.25 (819.1) | 37.00 (939.8) |
| 254TC | 33.66 (855.0) | 7.00 (177.8) | 32.75 (831.8) | 37.50 (952.5) |
| 256TC | 35.35 (897.9) | 7.00 (177.8) | 32.75 (831.8) | 37.50 (952.5) |

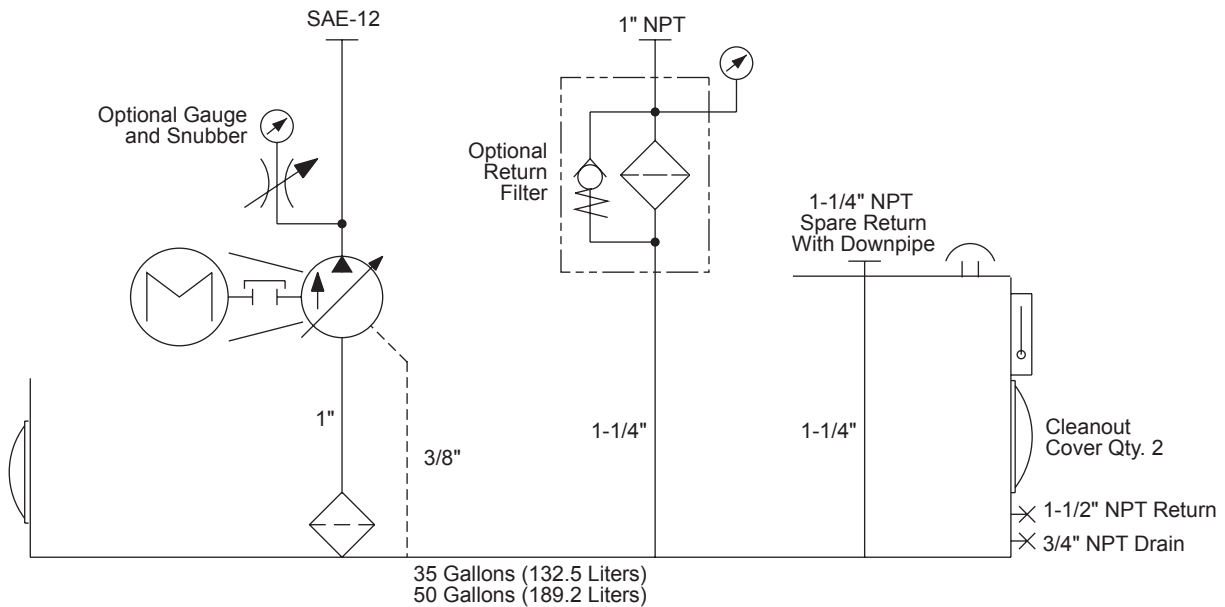
| D | |
|---------------|---------------|
| R35 | R50 |
| 18.75 (476.2) | 23.50 (596.9) |



NFPA/JIC Style Power Units

35/50 GALLON CAPACITY

Schematic and Specifications - With PVR6 Vane Pump



| GENERAL SPECIFICATIONS | R35 | R50 |
|--|---------------------------------------|--------------------------------------|
| Reservoir Capacity | 35 Gal. (132.5 liters) | 50 Gal. (189.2 liters) |
| Surface Area For Heat Transfer | 13.44 sq. ft. (1.25 m ²) | 17.27 sq. ft. (1.60 m ²) |
| Heat Dissipation | Sq. Ft. of Vertical Steel x ΔT / 1000 | |
| Basic Weight (Less Oil, Pump, and Motor) | 349 lbs. (158.3 kg) | 386 lbs. (175.1 kg) |
| Usable Gallons | 10.46 Gal. (39.6 liters) | 23.31 Gal. (88.2 liters) |
| Gallons Per Inch Rise | 3.49 Gal. (13.2 liters) | 3.49 Gal. (13.2 liters) |
| Capacity, Full to Top Plate | 40.65 Gal. (153.9 liters) | 57.18 Gal. (216.4 liters) |
| Capacity, High on Sight Gauge | 33.56 Gal. (127.0 liters) | 50.21 Gal. (190.0 liters) |
| Capacity, Low on Sight Gauge | 23.10 Gal. (87.4 liters) | 39.75 Gal. (150.4 liters) |
| Pump Data* | | |
| Flow Range | Up to 10 gpm (37.8 lpm) | Up to 10 gpm (37.8 lpm) |
| Pressure Range | Up to 2000 psi (138 bar) | Up to 2000 psi (138 bar) |
| Power Range | Up to 20 HP (14.9 kW) | Up to 20 HP (14.9 kW) |

* See Continental Hydraulics Vane Pump or Piston Pump Catalogs for complete codes and specifications.

NFPA/JIC Style Power Units

35/50 GALLON CAPACITY

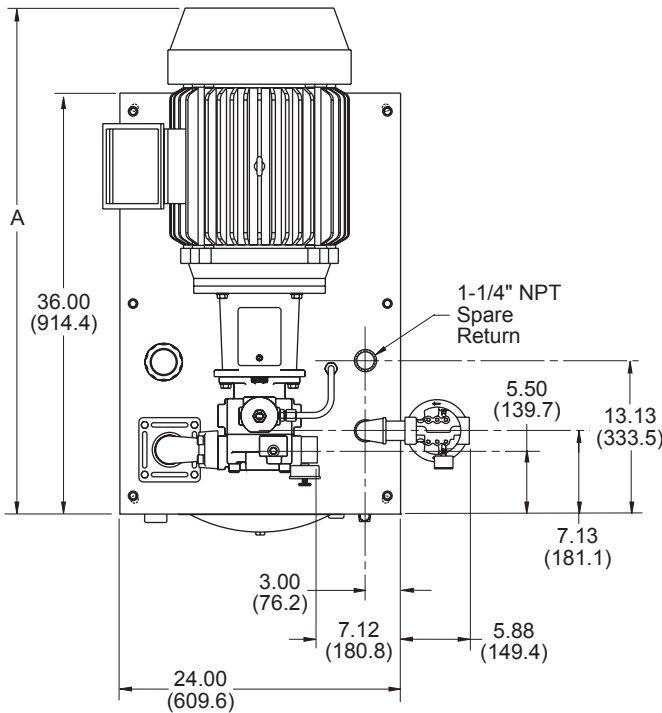
Dimension Drawing - With PVR15 Vane Pump

CONTINENTAL



HYDRAULICS

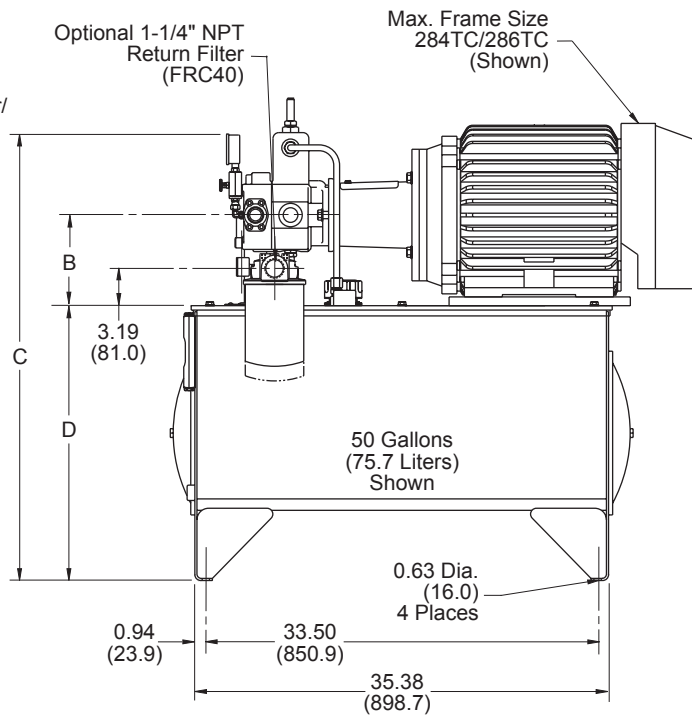
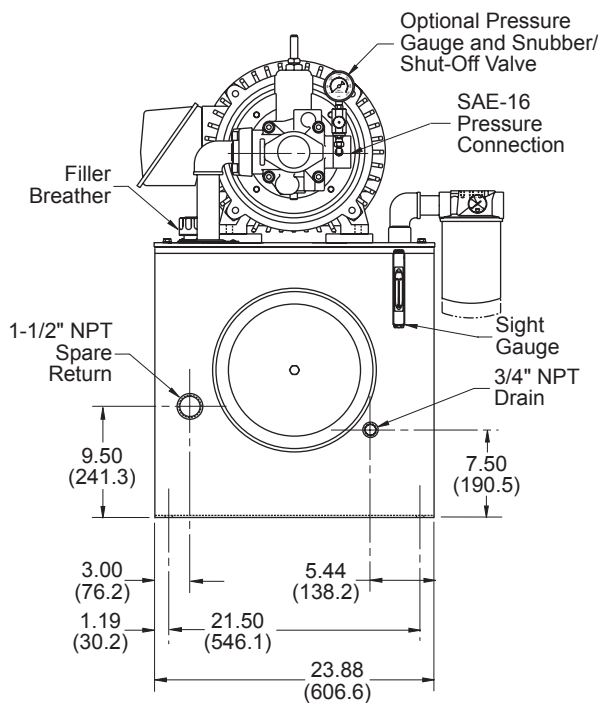
Dimensions shown in: Inches (± .125)
millimeters (± 1 mm)



Dimensions

| Motor Frame | A | B | C | |
|-------------|----------------|--------------|---------------|----------------|
| | | | R35 | R50 |
| 182TC | 29.18 (741.2) | 5.75 (146.0) | 34.50 (876.3) | 39.25 (996.9) |
| 184TC | 30.17 (766.3) | 5.75 (146.0) | 34.50 (876.3) | 39.25 (996.9) |
| 213TC | 32.20 (817.9) | 6.50 (165.1) | 35.25 (895.3) | 40.00 (1016.0) |
| 215TC | 33.69 (855.7) | 6.50 (165.1) | 35.25 (895.3) | 40.00 (1016.0) |
| 254TC | 38.03 (966.0) | 7.00 (177.8) | 35.75 (908.0) | 40.50 (1028.7) |
| 256TC | 39.73 (1009.1) | 7.00 (177.8) | 35.75 (908.0) | 40.50 (1028.7) |
| 284TC | 41.53 (1054.9) | 7.75 (196.8) | 36.50 (927.1) | 41.25 (1047.7) |
| 286TC | 43.03 (1093.0) | 7.75 (196.8) | 36.50 (927.1) | 41.25 (1047.7) |

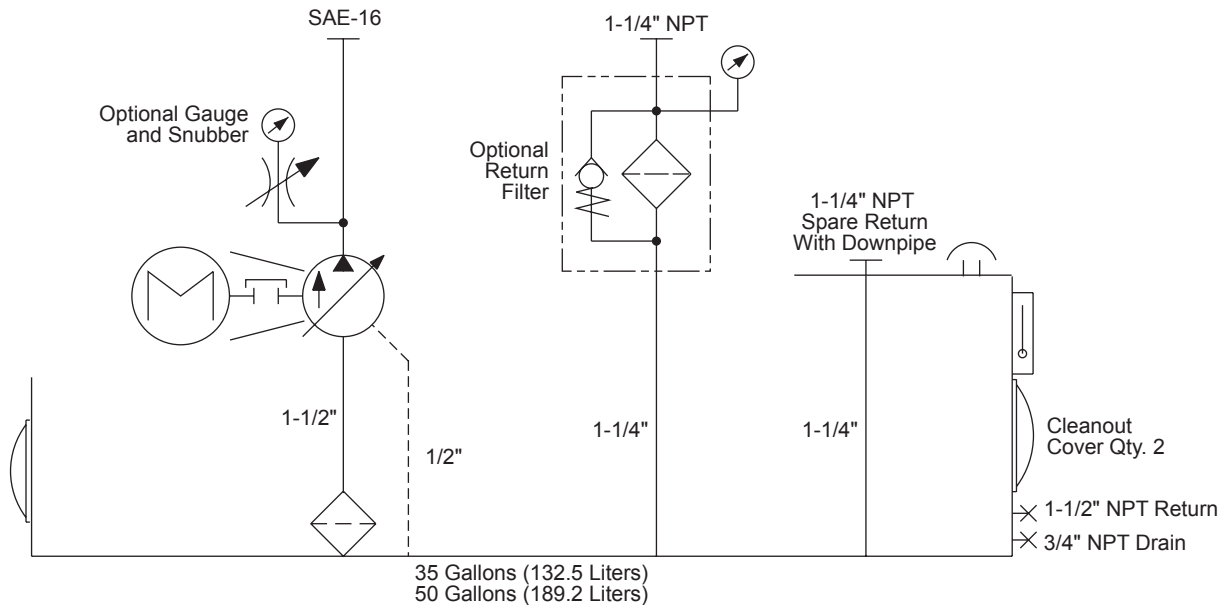
| D | |
|---------------|---------------|
| R35 | R50 |
| 18.75 (476.2) | 23.50 (596.9) |



NFPA/JIC Style Power Units

35/50 GALLON CAPACITY

Schematic and Specifications - With PVR15 Vane Pump



| GENERAL SPECIFICATIONS | R35 | R50 |
|--|---------------------------------------|--------------------------------------|
| Reservoir Capacity | 35 Gal. (132.5 liters) | 50 Gal. (189.2 liters) |
| Surface Area For Heat Transfer | 13.44 sq. ft. (1.25 m ²) | 17.27 sq. ft. (1.60 m ²) |
| Heat Dissipation | Sq. Ft. of Vertical Steel x ΔT / 1000 | |
| Basic Weight (Less Oil, Pump, and Motor) | 360 lbs. (163.3 kg) | 398 lbs. (180.5 kg) |
| Usable Gallons | 7.90 Gal. (29.9 liters) | 19.72 Gal. (74.6 liters) |
| Gallons Per Inch Rise | 3.49 Gal. (13.2 liters) | 3.49 Gal. (13.2 liters) |
| Capacity, Full to Top Plate | 40.65 Gal. (153.9 liters) | 57.18 Gal. (216.4 liters) |
| Capacity, High on Sight Gauge | 33.56 Gal. (127.0 liters) | 50.21 Gal. (190.0 liters) |
| Capacity, Low on Sight Gauge | 23.10 Gal. (87.4 liters) | 39.75 Gal. (150.4 liters) |
| Pump Data* | | |
| Flow Range | Up to 30 gpm (113.5 lpm) | Up to 30 gpm (113.5 lpm) |
| Pressure Range | Up to 2000 psi (138 bar) | Up to 2000 psi (138 bar) |
| Power Range | Up to 30 HP (22.4 kW) | Up to 30 HP (22.4 kW) |

* See Continental Hydraulics Vane Pump or Piston Pump Catalogs for complete codes and specifications.

NFPA/JIC Style Power Units

35/50 GALLON CAPACITY

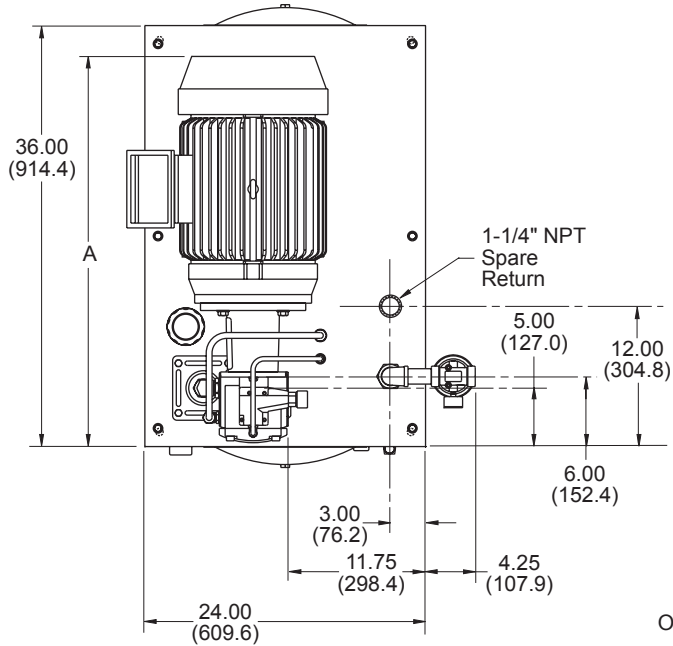
Dimension Drawing - With PVX8 Vane Pump

CONTINENTAL



HYDRAULICS

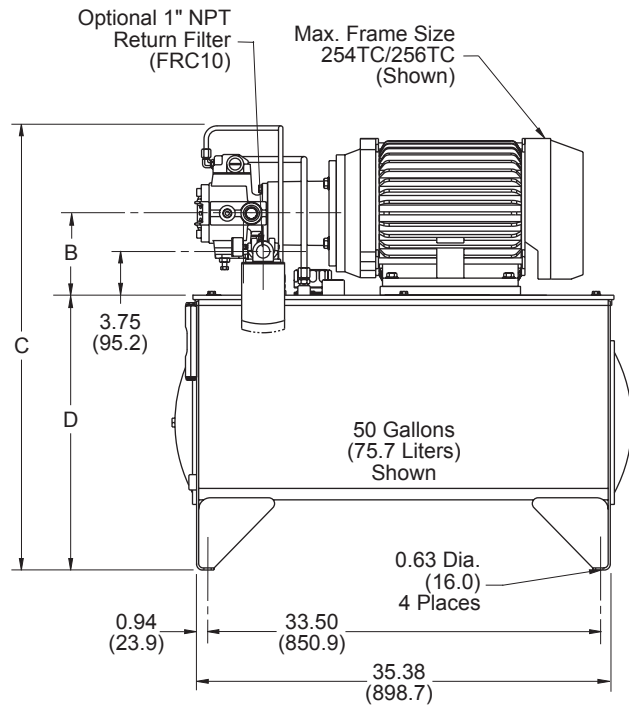
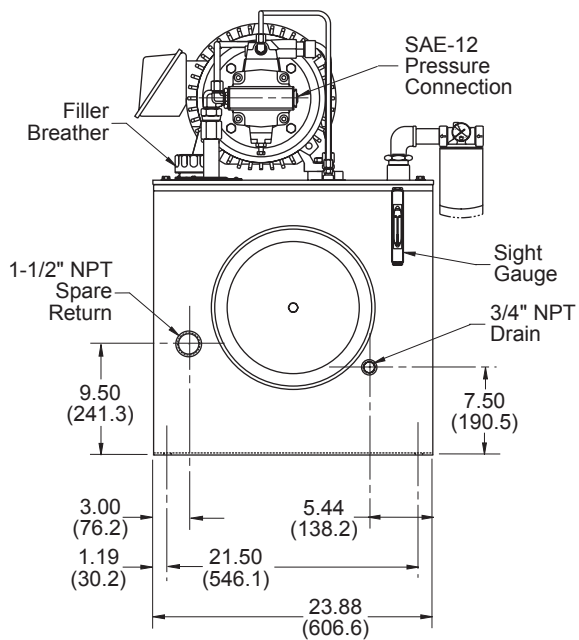
Dimensions shown in: Inches (± .125)
 (millimeters (± 1 mm))



Dimensions

| Motor Frame | A | B | C | |
|-------------|---------------|--------------|---------------|---------------|
| | | | R35 | R50 |
| 182TC | 23.06 (585.7) | 5.75 (146.0) | 32.63 (828.2) | 37.38 (949.5) |
| 184TC | 24.05 (610.9) | 5.75 (146.0) | 32.63 (828.2) | 37.38 (949.5) |
| 213TC | 26.20 (665.5) | 6.50 (165.1) | 33.38 (847.9) | 38.13 (968.5) |
| 215TC | 27.69 (703.3) | 6.50 (165.1) | 33.38 (847.9) | 38.13 (968.5) |
| 254TC | 31.66 (804.2) | 7.00 (177.8) | 33.88 (860.6) | 38.63 (981.2) |
| 256TC | 33.36 (847.3) | 7.00 (177.8) | 33.88 (860.6) | 38.63 (981.2) |

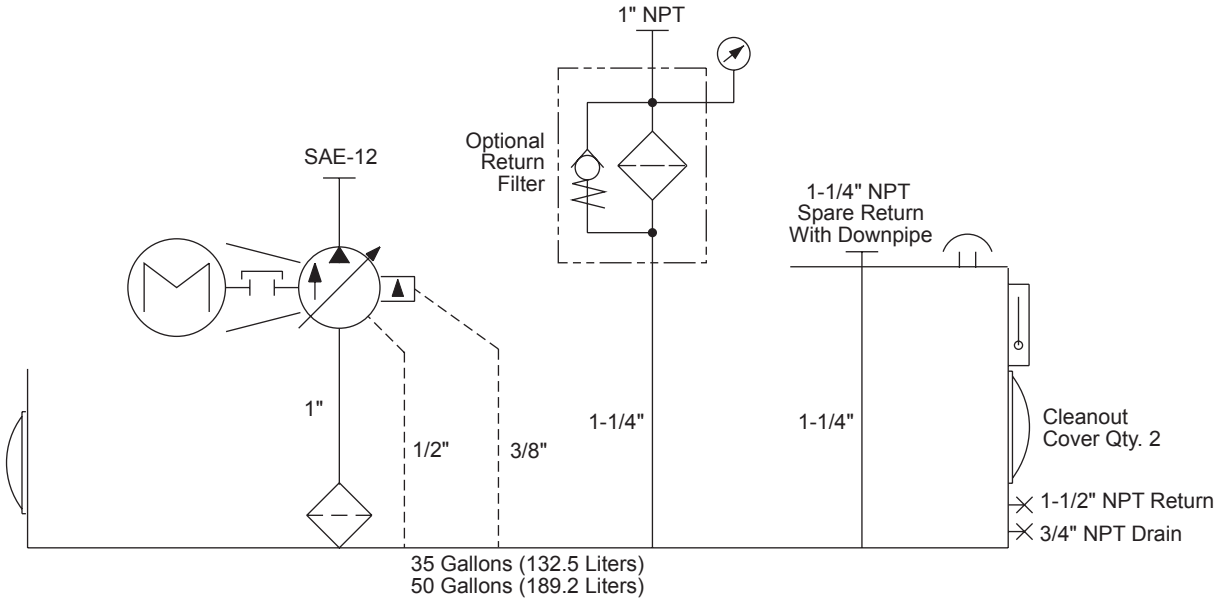
| D | |
|---------------|---------------|
| R35 | R50 |
| 18.75 (476.2) | 23.50 (596.9) |



NFPA/JIC Style Power Units

35/50 GALLON CAPACITY

Schematic and Specifications - With PVX8 Vane Pump



| GENERAL SPECIFICATIONS | R35 | R50 |
|--|---------------------------------------|--------------------------------------|
| Reservoir Capacity | 35 Gal. (132.5 liters) | 50 Gal. (189.2 liters) |
| Surface Area For Heat Transfer | 13.44 sq. ft. (1.25 m ²) | 17.27 sq. ft. (1.60 m ²) |
| Heat Dissipation | Sq. Ft. of Vertical Steel x ΔT / 1000 | |
| Basic Weight (Less Oil, Pump, and Motor) | 348 lbs. (157.9 kg) | 385 lbs. (174.6 kg) |
| Usable Gallons | 10.46 Gal. (39.6 liters) | 23.31 Gal. (88.2 liters) |
| Gallons Per Inch Rise | 3.49 Gal. (13.2 liters) | 3.49 Gal. (13.2 liters) |
| Capacity, Full to Top Plate | 40.65 Gal. (153.9 liters) | 57.18 Gal. (216.4 liters) |
| Capacity, High on Sight Gauge | 33.56 Gal. (127.0 liters) | 50.21 Gal. (190.0 liters) |
| Capacity, Low on Sight Gauge | 23.10 Gal. (87.4 liters) | 39.75 Gal. (150.4 liters) |
| Pump Data* | | |
| Flow Range | Up to 8 gpm (30.3 lpm) | Up to 8 gpm (30.3 lpm) |
| Pressure Range | Up to 3000 psi (207 bar) | Up to 3000 psi (207 bar) |
| Power Range | Up to 20 HP (14.9 kW) | Up to 20 HP (14.9 kW) |

* See Continental Hydraulics Vane Pump or Piston Pump Catalogs for complete codes and specifications.

NFPA/JIC Style Power Units

35/50 GALLON CAPACITY

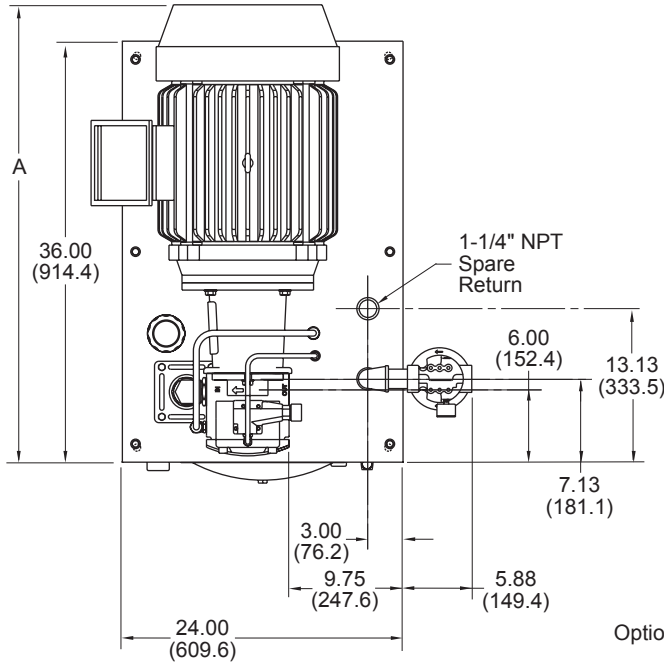
Dimension Drawing - With PVX11/15 Vane Pump

CONTINENTAL



HYDRAULICS

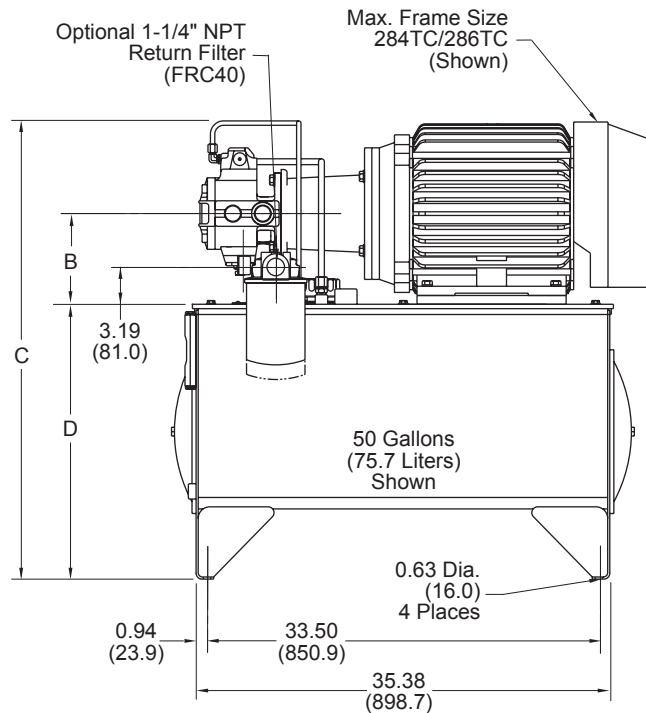
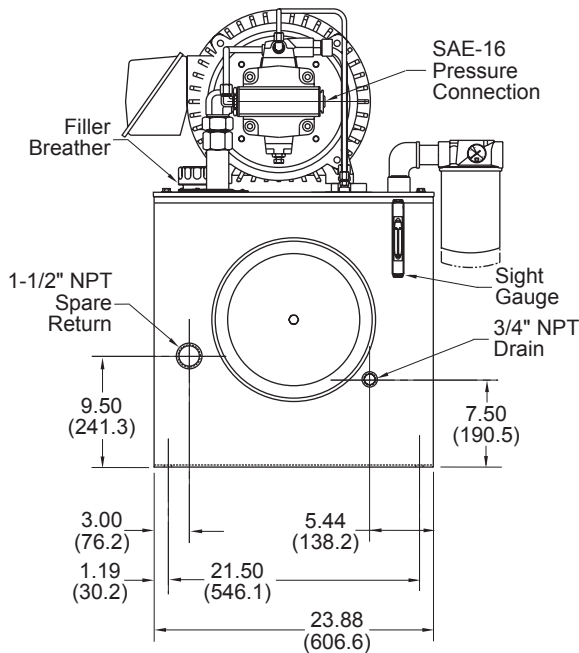
Dimensions shown in: Inches (± .125)
 (millimeters (± 1 mm))



Dimensions

| Motor | A | B | C | |
|-------|---------------|--------------|---------------|----------------|
| | | | R35 | R50 |
| 182TC | 24.56 (623.8) | 5.75 (146.0) | 32.63 (828.8) | 37.38 (949.5) |
| 184TC | 25.94 (658.9) | 5.75 (146.0) | 32.63 (828.8) | 37.38 (949.5) |
| 213TC | 28.02 (711.7) | 6.50 (165.1) | 33.38 (847.9) | 38.13 (968.5) |
| 215TC | 29.59 (751.6) | 6.50 (165.1) | 33.38 (847.9) | 38.13 (968.5) |
| 254TC | 33.85 (859.8) | 7.00 (177.8) | 33.88 (860.6) | 38.63 (981.2) |
| 256TC | 35.55 (903.0) | 7.00 (177.8) | 33.88 (860.6) | 38.63 (981.2) |
| 284TC | 37.35 (948.7) | 7.75 (196.8) | 34.63 (879.6) | 39.38 (1000.3) |
| 286TC | 38.85 (986.8) | 7.75 (196.8) | 34.63 (879.6) | 39.38 (1000.3) |

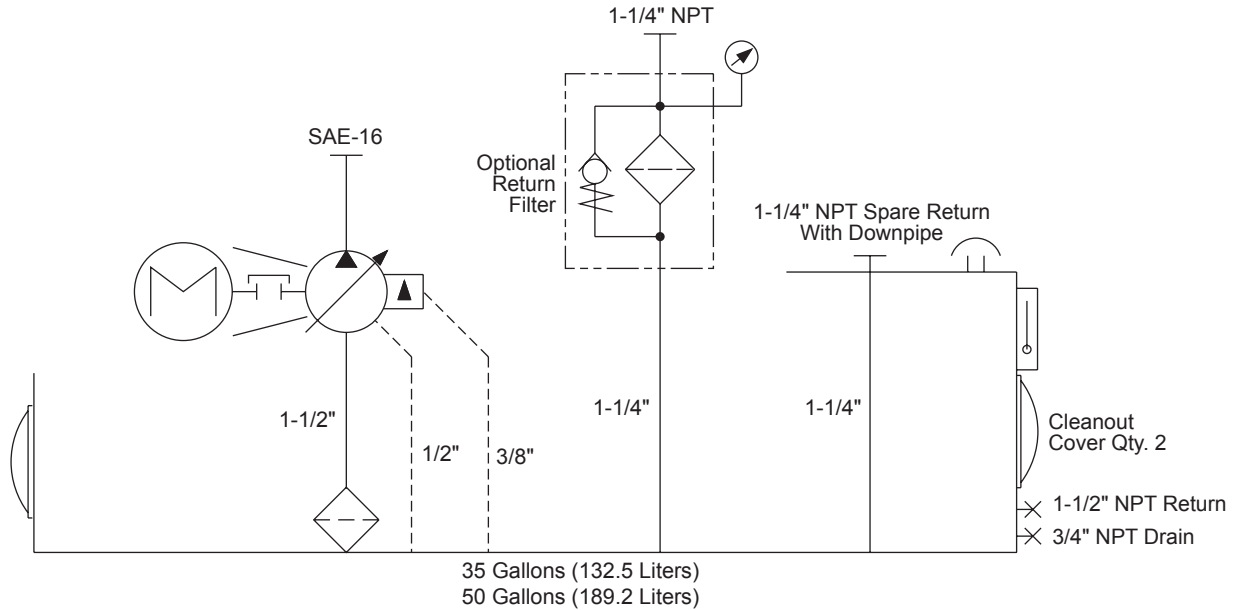
| D | |
|---------------|---------------|
| R35 | R50 |
| 18.75 (476.2) | 23.50 (596.9) |



NFPA/JIC Style Power Units

35/50 GALLON CAPACITY

Schematic and Specifications - With PVX11/15 Vane Pump



| GENERAL SPECIFICATIONS | R35 | R50 |
|--|---------------------------------------|--------------------------------------|
| Reservoir Capacity | 35 Gal. (132.5 liters) | 50 Gal. (189.2 liters) |
| Surface Area For Heat Transfer | 13.44 sq. ft. (1.25 m ²) | 17.27 sq. ft. (1.60 m ²) |
| Heat Dissipation | Sq. Ft. of Vertical Steel x ΔT / 1000 | |
| Basic Weight (Less Oil, Pump, and Motor) | 360 lbs. (163.3 kg) | 398 lbs. (180.5 kg) |
| Usable Gallons | 7.90 Gal. (29.9 liters) | 19.72 Gal. (74.6 liters) |
| Gallons Per Inch Rise | 3.49 Gal. (13.2 liters) | 3.49 Gal. (13.2 liters) |
| Capacity, Full to Top Plate | 40.65 Gal. (153.9 liters) | 57.18 Gal. (216.4 liters) |
| Capacity, High on Sight Gauge | 33.56 Gal. (127.0 liters) | 50.21 Gal. (190.0 liters) |
| Capacity, Low on Sight Gauge | 23.10 Gal. (87.4 liters) | 39.75 Gal. (150.4 liters) |
| Pump Data* | | |
| Flow Range | Up to 15 gpm (56.8 lpm) | Up to 15 gpm (56.8 lpm) |
| Pressure Range | Up to 3000 psi (207 bar) | Up to 3000 psi (207 bar) |
| Power Range | Up to 30 HP (22.4 kW) | Up to 30 HP (22.4 kW) |

* See Continental Hydraulics Vane Pump or Piston Pump Catalogs for complete codes and specifications.

NFPA/JIC Style Power Units

35/50 GALLON CAPACITY

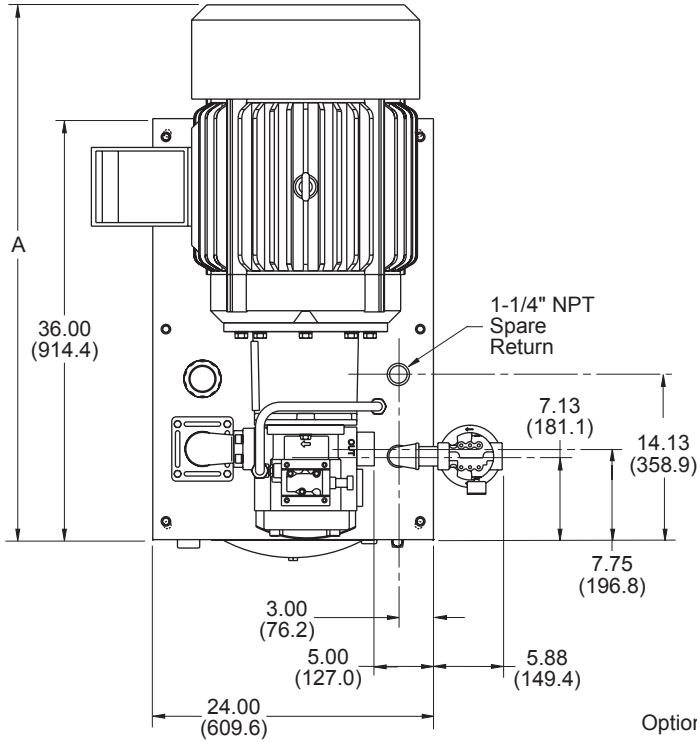
Dimension Drawing - With PVX20/29/36 Vane Pump

CONTINENTAL



HYDRAULICS

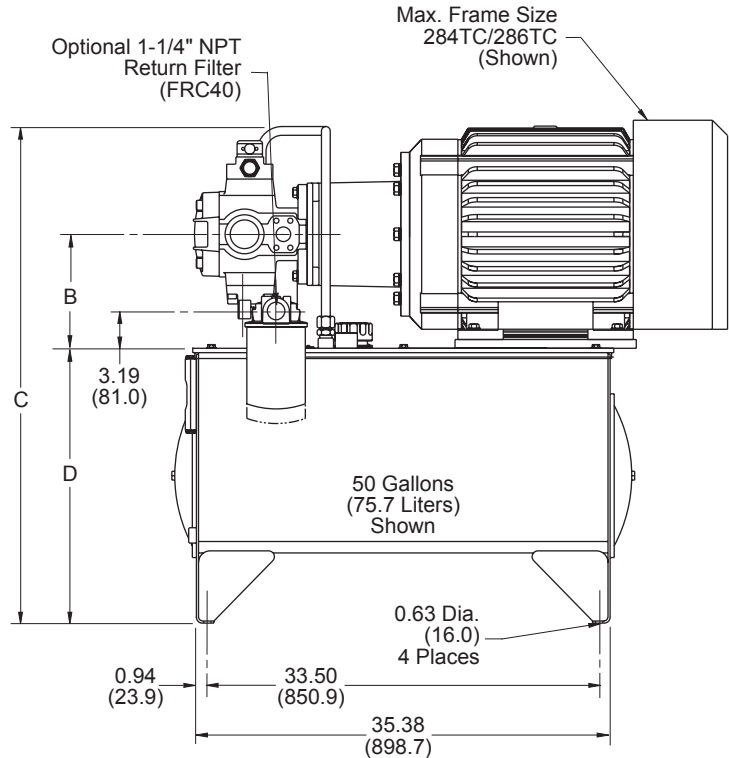
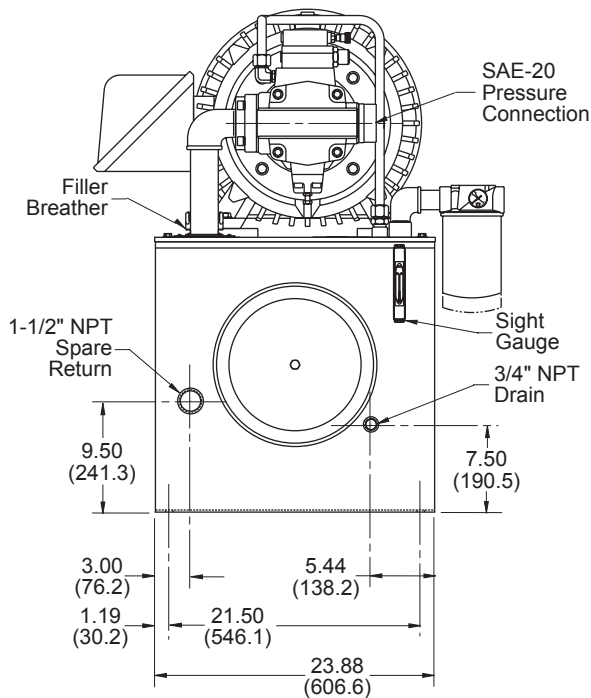
Dimensions shown in: Inches (± .125)
 (millimeters (± 1 mm))



Dimensions

| Motor | A | B | C | |
|-------|----------------|--------------|---------------|----------------|
| | | | R35 | R50 |
| 254TC | 36.07 (916.2) | 7.00 (177.8) | 36.00 (914.4) | 40.75 (1035.0) |
| 256TC | 37.77 (959.4) | 7.00 (177.8) | 36.00 (914.4) | 40.75 (1035.0) |
| 284TC | 39.57 (1005.1) | 7.75 (196.8) | 36.75 (933.4) | 41.50 (1054.1) |
| 286TC | 41.07 (1043.2) | 7.75 (196.8) | 36.75 (933.4) | 41.50 (1054.1) |
| 324TC | 42.61 (1082.3) | 8.75 (222.2) | 37.75 (958.8) | 42.50 (1079.5) |
| 326TC | 42.61 (1082.3) | 8.75 (222.2) | 37.75 (958.8) | 42.50 (1079.5) |
| 364TC | 46.11 (1171.2) | 9.75 (247.6) | 38.75 (984.2) | 43.50 (1104.9) |
| 365TC | 46.11 (1171.2) | 9.75 (247.6) | 38.75 (984.2) | 43.50 (1104.9) |

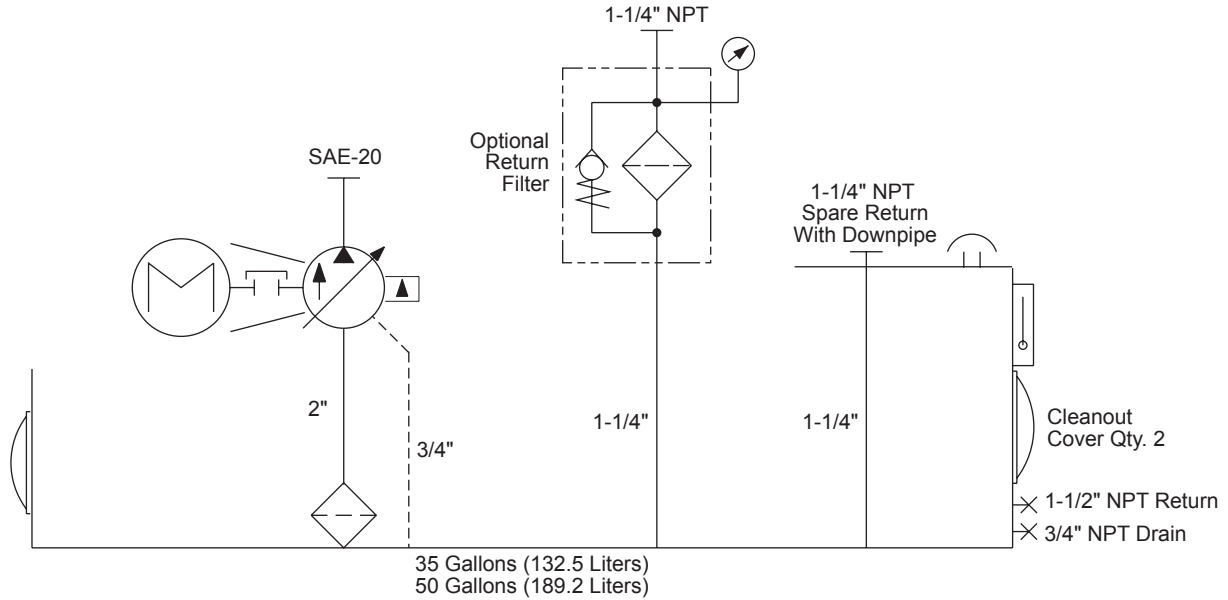
| D | |
|---------------|---------------|
| R35 | R50 |
| 18.75 (476.2) | 23.50 (596.9) |



NFPA/JIC Style Power Units

35/50 GALLON CAPACITY

Schematic and Specifications - With PVX20/29/36 Vane Pump



| GENERAL SPECIFICATIONS | R35 | R50 |
|--|---------------------------------------|--------------------------------------|
| Reservoir Capacity | 35 Gal. (132.5 liters) | 50 Gal. (189.2 liters) |
| Surface Area For Heat Transfer | 13.44 sq. ft. (1.25 m ²) | 17.27 sq. ft. (1.60 m ²) |
| Heat Dissipation | Sq. Ft. of Vertical Steel x ΔT / 1000 | |
| Basic Weight (Less Oil, Pump, and Motor) | 365 lbs. (165.6 kg) | 403 lbs. (182.8 kg) |
| Usable Gallons | 6.95 Gal. (26.3 liters) | 18.72 Gal. (70.9 liters) |
| Gallons Per Inch Rise | 3.49 Gal. (13.2 liters) | 3.49 Gal. (13.2 liters) |
| Capacity, Full to Top Plate | 40.65 Gal. (153.9 liters) | 57.18 Gal. (216.4 liters) |
| Capacity, High on Sight Gauge | 33.56 Gal. (127.0 liters) | 50.21 Gal. (190.0 liters) |
| Capacity, Low on Sight Gauge | 23.10 Gal. (87.4 liters) | 39.75 Gal. (150.4 liters) |
| Pump Data* | | |
| Flow Range | Up to 36 gpm (136.2 lpm) | Up to 36 gpm (136.2 lpm) |
| Pressure Range | Up to 3000 psi (207 bar) | Up to 3000 psi (207 bar) |
| Power Range | Up to 75 HP (55.9 kW) | Up to 75 HP (55.9 kW) |

* See Continental Hydraulics Vane Pump or Piston Pump Catalogs for complete codes and specifications.

NFPA/JIC Style Power Units

35/50 GALLON CAPACITY

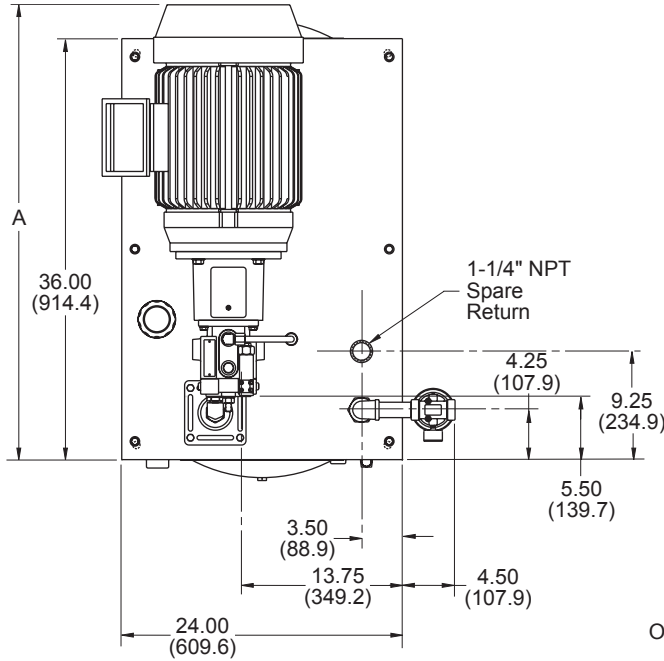
Dimension Drawing - With HPV6 Piston Pump

CONTINENTAL



HYDRAULICS

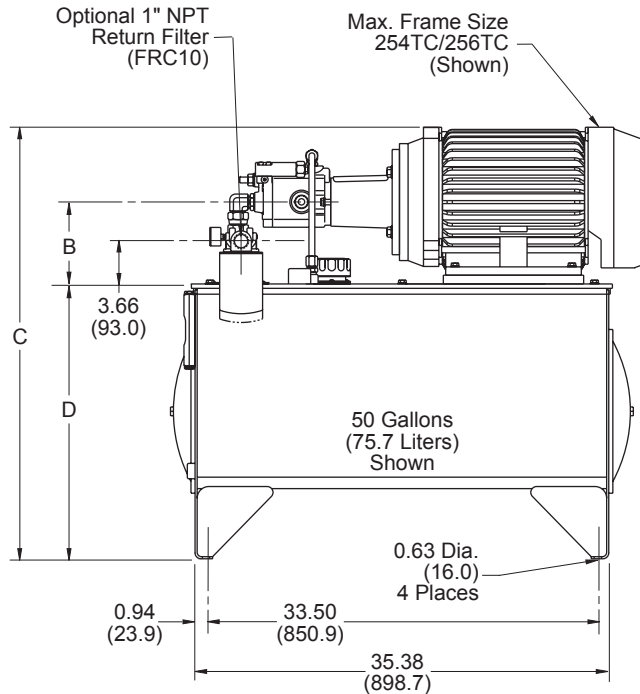
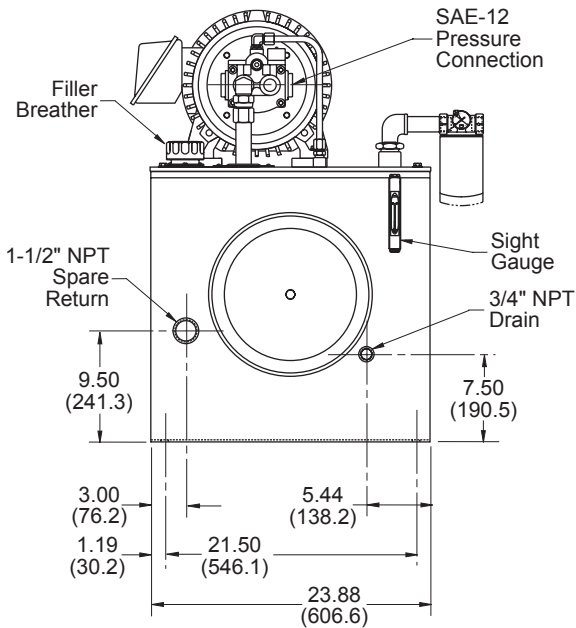
Dimensions shown in: Inches (± .125)
 (millimeters (± 1 mm))



Dimensions

| Motor Frame | A | B | C | |
|-------------|---------------|--------------|---------------|---------------|
| | | | R35 | R50 |
| 182TC | 29.10 (739.1) | 5.75 (146.0) | 29.40 (746.8) | 34.19 (868.4) |
| 184TC | 30.09 (764.3) | 5.75 (146.0) | 29.40 (746.8) | 34.19 (868.4) |
| 213TC | 32.24 (818.9) | 6.50 (165.1) | 30.88 (784.4) | 35.63 (905.0) |
| 215TC | 33.73 (856.7) | 6.50 (165.1) | 30.88 (784.4) | 35.63 (905.0) |
| 254TC | 37.70 (957.6) | 7.00 (177.8) | 32.38 (822.5) | 37.13 (943.1) |
| 256TC | 39.32 (998.7) | 7.00 (177.8) | 32.38 (822.5) | 37.13 (943.1) |

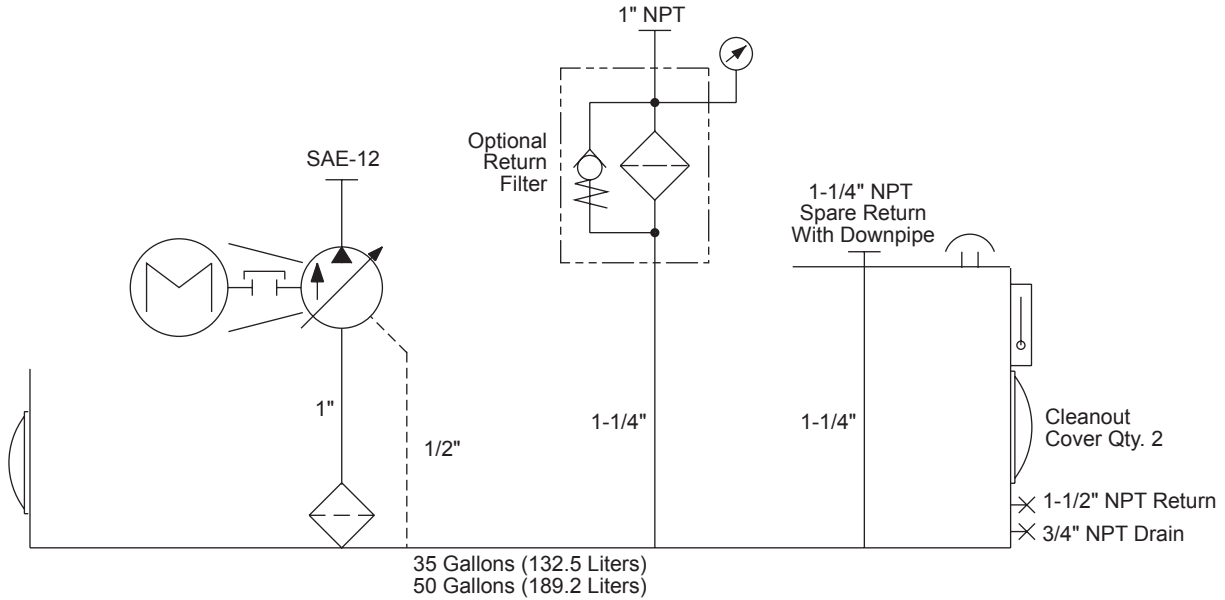
| D | |
|---------------|---------------|
| R35 | R50 |
| 18.75 (476.2) | 23.50 (596.9) |



NFPA/JIC Style Power Units

35/50 GALLON CAPACITY

Schematic and Specifications - With HPV6 Piston Pump



| GENERAL SPECIFICATIONS | R35 | R50 |
|--|---------------------------------------|--------------------------------------|
| Reservoir Capacity | 35 Gal. (132.5 liters) | 50 Gal. (189.2 liters) |
| Surface Area For Heat Transfer | 13.44 sq. ft. (1.25 m ²) | 17.27 sq. ft. (1.60 m ²) |
| Heat Dissipation | Sq. Ft. of Vertical Steel x ΔT / 1000 | |
| Basic Weight (Less Oil, Pump, and Motor) | 348 lbs. (157.9 kg) | 385 lbs. (174.6 kg) |
| Usable Gallons | 10.46 Gal. (39.6 liters) | 23.31 Gal. (88.2 liters) |
| Gallons Per Inch Rise | 3.49 Gal. (13.2 liters) | 3.49 Gal. (13.2 liters) |
| Capacity, Full to Top Plate | 40.65 Gal. (153.9 liters) | 57.18 Gal. (216.4 liters) |
| Capacity, High on Sight Gauge | 33.56 Gal. (127.0 liters) | 50.21 Gal. (190.0 liters) |
| Capacity, Low on Sight Gauge | 23.10 Gal. (87.4 liters) | 39.75 Gal. (150.4 liters) |
| Pump Data* | | |
| Flow Range | Up to 8 gpm (30.3 lpm) | Up to 8 gpm (30.3 lpm) |
| Pressure Range | Up to 3000 psi (207 bar) | Up to 3000 psi (207 bar) |
| Power Range | Up to 20 HP (14.9 kW) | Up to 20 HP (14.9 kW) |

* See Continental Hydraulics Vane Pump or Piston Pump Catalogs for complete codes and specifications.

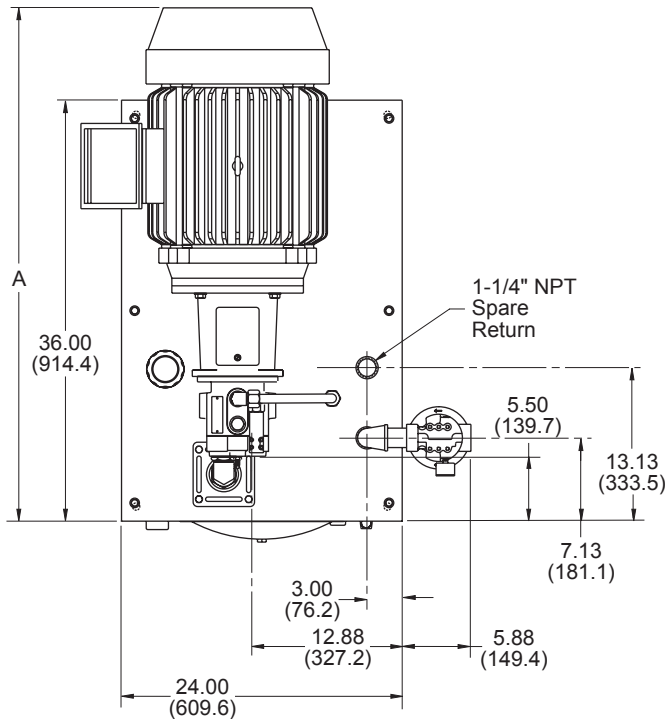
NFPA/JIC Style Power Units

35/50 GALLON CAPACITY

Dimension Drawing - With HPV10 Piston Pump



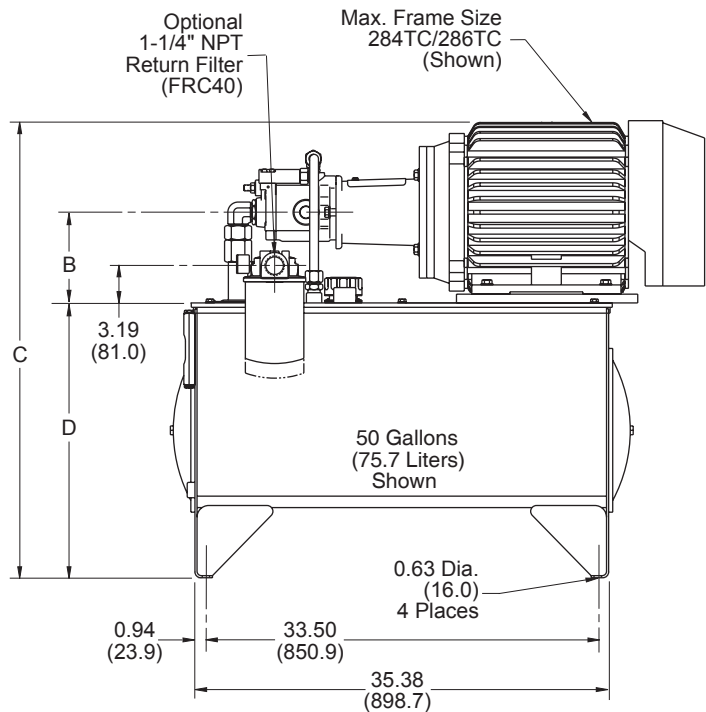
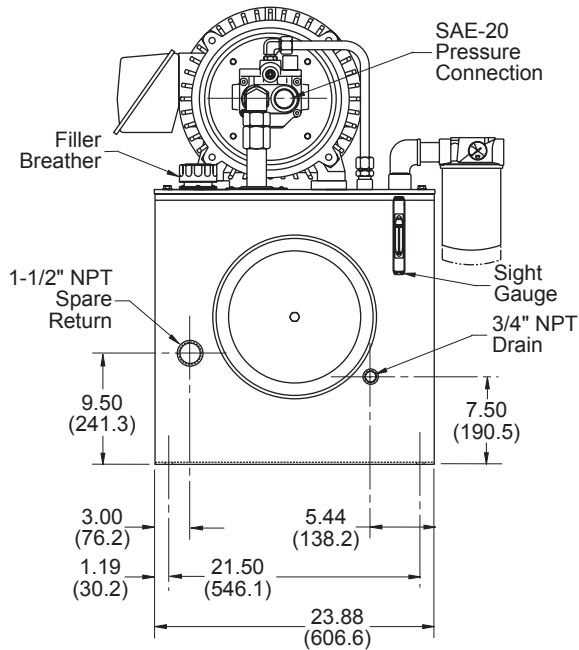
Dimensions shown in: Inches (± .125)
 (millimeters (± 1 mm))



Dimensions

| Motor | A | B | C | |
|-------|----------------|--------------|---------------|---------------|
| | | | R35 | R50 |
| 182TC | 29.76 (755.9) | 5.75 (146.0) | 29.40 (746.8) | 34.19 (868.4) |
| 184TC | 30.75 (781.0) | 5.75 (146.0) | 29.40 (746.8) | 34.19 (868.4) |
| 213TC | 33.28 (845.3) | 6.50 (165.1) | 30.88 (784.4) | 35.63 (905.0) |
| 215TC | 34.77 (883.2) | 6.50 (165.1) | 30.88 (784.4) | 35.63 (905.0) |
| 254TC | 39.11 (993.4) | 7.00 (177.8) | 32.38 (822.5) | 37.13 (943.1) |
| 256TC | 40.81 (1036.6) | 7.00 (177.8) | 32.38 (822.5) | 37.13 (943.1) |
| 284TC | 42.61 (1082.3) | 7.75 (196.8) | 33.38 (847.9) | 38.63 (981.2) |
| 286TC | 43.11 (1095.0) | 7.75 (196.8) | 33.38 (847.9) | 38.63 (981.2) |

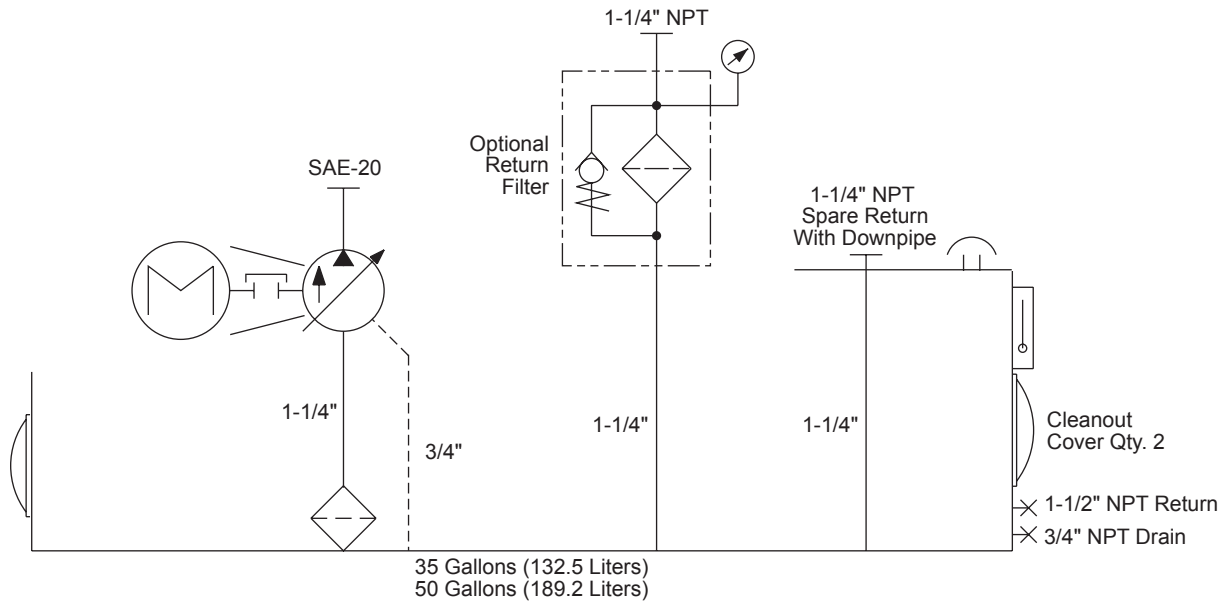
| D | |
|---------------|---------------|
| R35 | R50 |
| 18.75 (476.2) | 23.50 (596.9) |



NFPA/JIC Style Power Units

35/50 GALLON CAPACITY

Schematic and Specifications - With HPV10 Piston Pump



| GENERAL SPECIFICATIONS | R35 | R50 |
|--|---------------------------------------|--------------------------------------|
| Reservoir Capacity | 35 Gal. (132.5 liters) | 50 Gal. (189.2 liters) |
| Surface Area For Heat Transfer | 13.44 sq. ft. (1.25 m ²) | 17.27 sq. ft. (1.60 m ²) |
| Heat Dissipation | Sq. Ft. of Vertical Steel x ΔT / 1000 | |
| Basic Weight (Less Oil, Pump, and Motor) | 360 lbs. (163.3 kg) | 398 lbs. (180.5 kg) |
| Usable Gallons | 7.90 Gal. (29.9 liters) | 19.72 Gal. (74.6 liters) |
| Gallons Per Inch Rise | 3.49 Gal. (13.2 liters) | 3.49 Gal. (13.2 liters) |
| Capacity, Full to Top Plate | 40.65 Gal. (153.9 liters) | 57.18 Gal. (216.4 liters) |
| Capacity, High on Sight Gauge | 33.56 Gal. (127.0 liters) | 50.21 Gal. (190.0 liters) |
| Capacity, Low on Sight Gauge | 23.10 Gal. (87.4 liters) | 39.75 Gal. (150.4 liters) |
| Pump Data* | | |
| Flow Range | Up to 10 gpm (37.8 lpm) | Up to 10 gpm (37.8 lpm) |
| Pressure Range | Up to 3500 psi (241 bar) | Up to 3500 psi (241 bar) |
| Power Range | Up to 30 HP (22.4 kW) | Up to 30 HP (22.4 kW) |

* See Continental Hydraulics Vane Pump or Piston Pump Catalogs for complete codes and specifications.

NFPA/JIC Style Power Units

35/50 GALLON CAPACITY

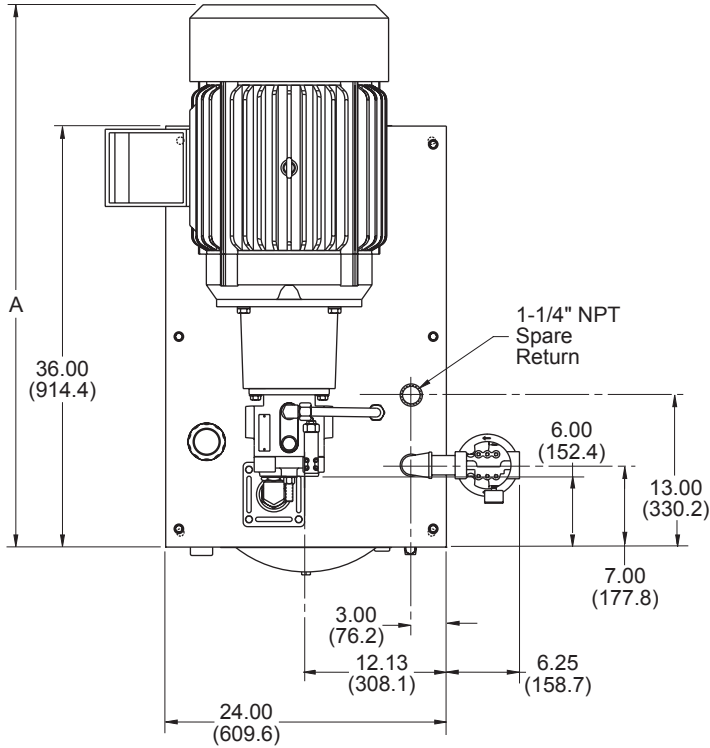
Dimension Drawing - With HPV15 Piston Pump

CONTINENTAL



HYDRAULICS

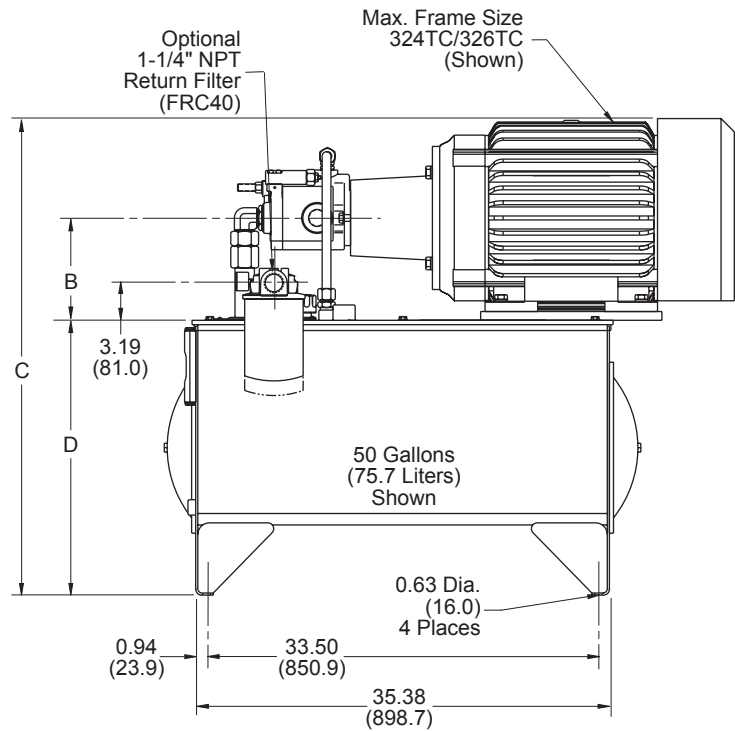
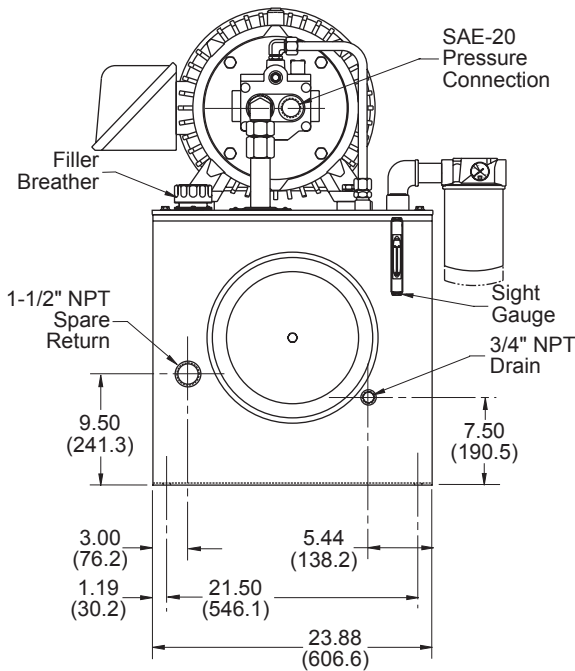
Dimensions shown in: Inches (± .125)
millimeters (± 1 mm)



Dimensions

| Motor | A | B | C | |
|-------|----------------|--------------|---------------|----------------|
| | | | R35 | R50 |
| 254TC | 40.30 (1023.6) | 7.00 (177.8) | 32.38 (822.5) | 37.13 (943.1) |
| 256TC | 42.00 (1066.8) | 7.00 (177.8) | 32.38 (822.5) | 37.13 (943.1) |
| 284TC | 43.80 (1112.5) | 7.75 (196.8) | 33.88 (860.6) | 38.63 (981.2) |
| 286TC | 45.30 (1150.6) | 7.75 (196.8) | 33.88 (860.6) | 38.63 (981.2) |
| 324TC | 46.84 (1189.7) | 8.75 (222.2) | 35.85 (910.6) | 40.60 (1031.2) |
| 326TC | 46.84 (1189.7) | 8.75 (222.2) | 35.85 (910.6) | 40.60 (1031.2) |

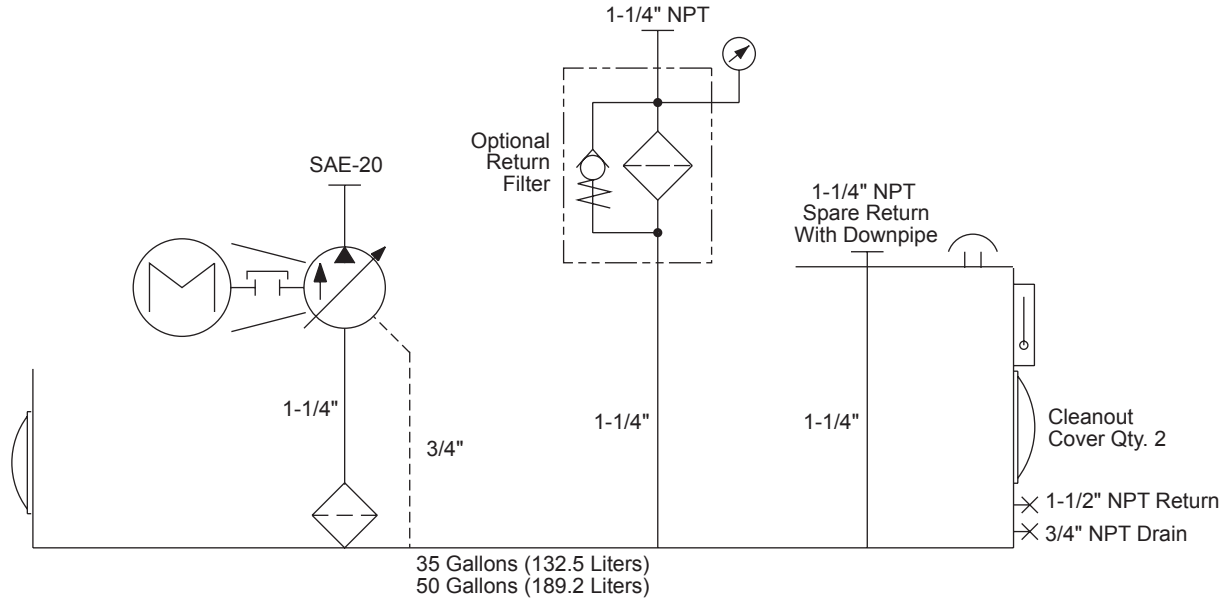
| D | |
|---------------|---------------|
| R35 | R50 |
| 18.75 (476.2) | 23.50 (596.9) |



NFPA/JIC Style Power Units

35/50 GALLON CAPACITY

Schematic and Specifications - With HPV15 Piston Pump



| GENERAL SPECIFICATIONS | R35 | R50 |
|--|---------------------------------------|--------------------------------------|
| Reservoir Capacity | 35 Gal. (132.5 liters) | 50 Gal. (189.2 liters) |
| Surface Area For Heat Transfer | 13.44 sq. ft. (1.25 m ²) | 17.27 sq. ft. (1.60 m ²) |
| Heat Dissipation | Sq. Ft. of Vertical Steel x ΔT / 1000 | |
| Basic Weight (Less Oil, Pump, and Motor) | 363 lbs. (164.7 kg) | 403 lbs. (182.8 kg) |
| Usable Gallons | 7.90 Gal. (29.9 liters) | 19.72 Gal. (74.6 liters) |
| Gallons Per Inch Rise | 3.49 Gal. (13.2 liters) | 3.49 Gal. (13.2 liters) |
| Capacity, Full to Top Plate | 40.65 Gal. (153.9 liters) | 57.18 Gal. (216.4 liters) |
| Capacity, High on Sight Gauge | 33.56 Gal. (127.0 liters) | 50.21 Gal. (190.0 liters) |
| Capacity, Low on Sight Gauge | 23.10 Gal. (87.4 liters) | 39.75 Gal. (150.4 liters) |
| Pump Data* | | |
| Flow Range | Up to 20 gpm (75.7 lpm) | Up to 20 gpm (75.7 lpm) |
| Pressure Range | Up to 3500 psi (241 bar) | Up to 3500 psi (241 bar) |
| Power Range | Up to 50 HP (37.3 kW) | Up to 50 HP (37.3 kW) |

* See Continental Hydraulics Vane Pump or Piston Pump Catalogs for complete codes and specifications.

NFPA/JIC Style Power Units

35/50 GALLON CAPACITY

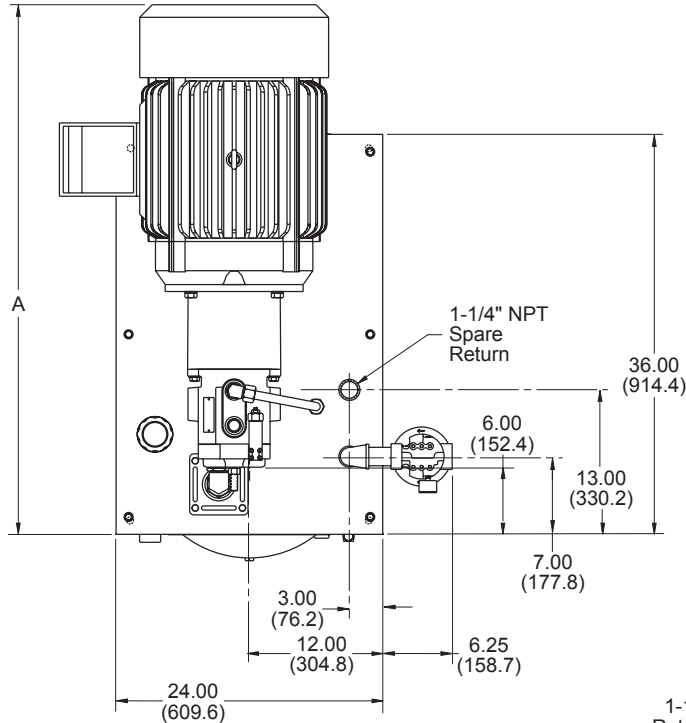
Dimension Drawing - With HPV20 Piston Pump

CONTINENTAL



HYDRAULICS

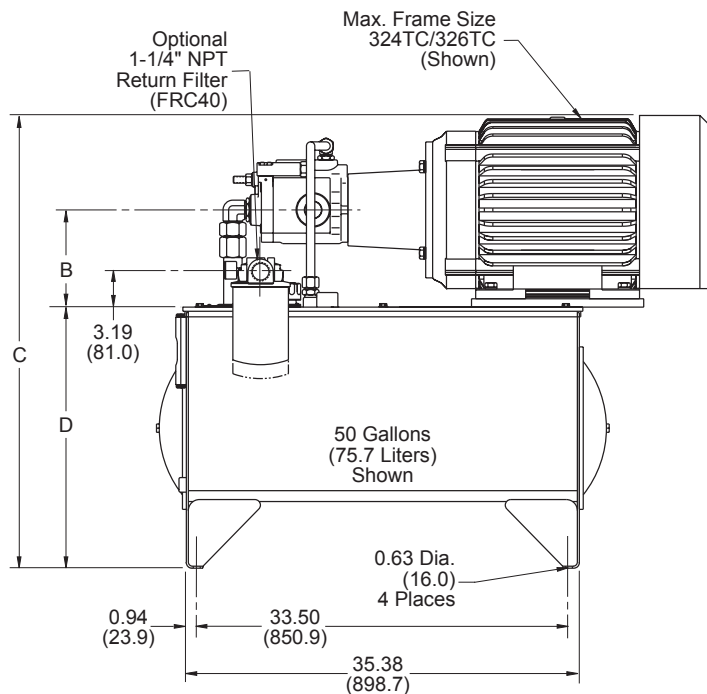
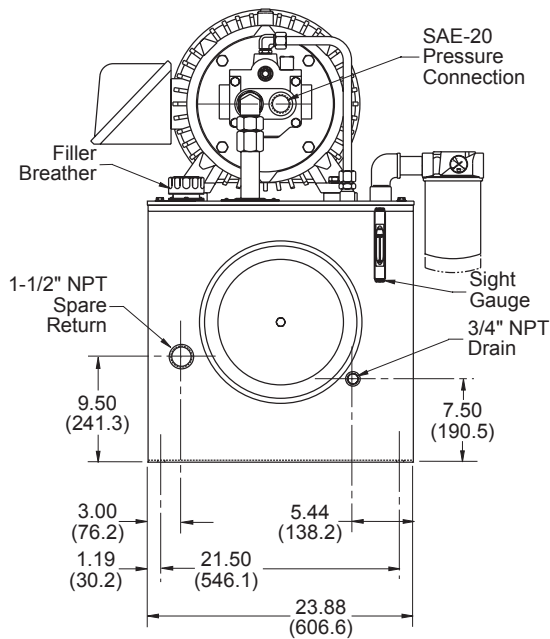
Dimensions shown in: Inches (± .125)
(millimeters (± 1 mm))



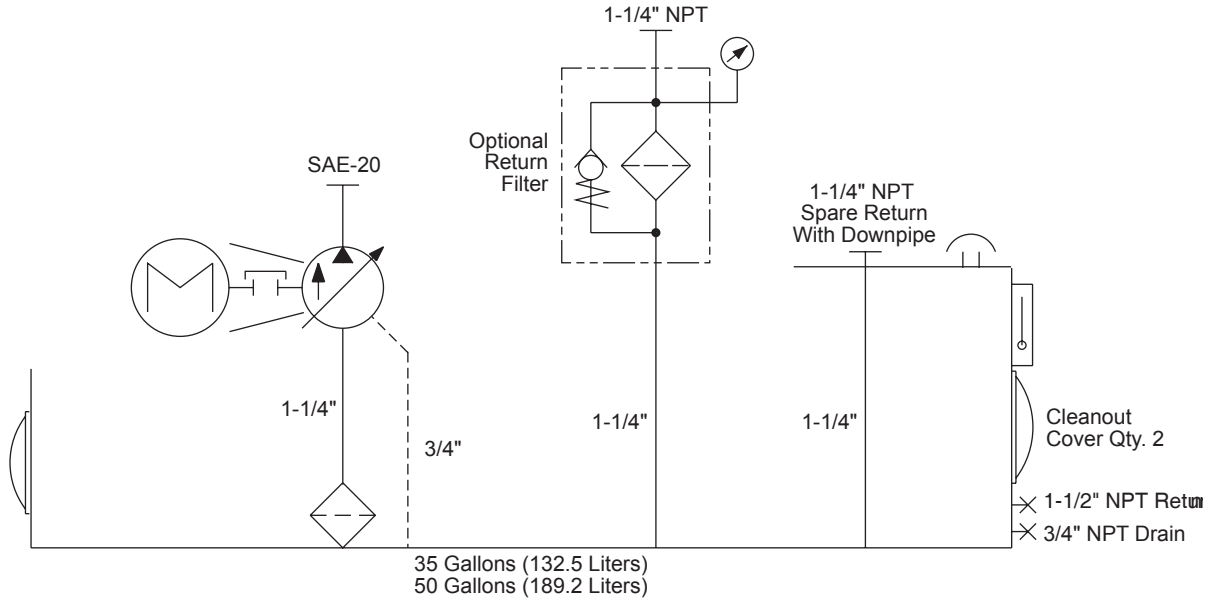
Dimensions

| Motor | A | B | C | |
|-------|----------------|--------------|---------------|----------------|
| | | | R35 | R50 |
| 254TC | 41.09 (1043.7) | 7.00 (177.8) | 32.38 (822.5) | 37.13 (943.1) |
| 256TC | 42.79 (1086.9) | 7.00 (177.8) | 32.38 (822.5) | 37.13 (943.1) |
| 284TC | 44.59 (1132.6) | 7.75 (196.8) | 33.88 (860.6) | 38.63 (981.2) |
| 286TC | 46.09 (1170.7) | 7.75 (196.8) | 33.88 (860.6) | 38.63 (981.2) |
| 324TC | 47.63 (1209.8) | 8.75 (222.2) | 35.85 (910.6) | 40.60 (1031.2) |
| 326TC | 47.63 (1209.8) | 8.75 (222.2) | 35.85 (910.6) | 40.60 (1031.2) |

| D | |
|---------------|---------------|
| R35 | R50 |
| 18.75 (476.2) | 23.50 (596.9) |



NFPA/JIC Style Power Units
35/50 GALLON CAPACITY
Schematic and Specifications - With HPV20 Piston Pump



| GENERAL SPECIFICATIONS | R35 | R50 |
|--|---------------------------------------|--------------------------------------|
| Reservoir Capacity | 35 Gal. (132.5 liters) | 50 Gal. (189.2 liters) |
| Surface Area For Heat Transfer | 13.44 sq. ft. (1.25 m ²) | 17.27 sq. ft. (1.60 m ²) |
| Heat Dissipation | Sq. Ft. of Vertical Steel x ΔT / 1000 | |
| Basic Weight (Less Oil, Pump, and Motor) | 366 lbs. (166.0 kg) | 409 lbs. (185.2 kg) |
| Usable Gallons | 6.95 Gal. (26.3 liters) | 18.72 Gal. (70.9 liters) |
| Gallons Per Inch Rise | 3.49 Gal. (13.2 liters) | 3.49 Gal. (13.2 liters) |
| Capacity, Full to Top Plate | 40.65 Gal. (153.9 liters) | 57.18 Gal. (216.4 liters) |
| Capacity, High on Sight Gauge | 33.56 Gal. (127.0 liters) | 50.21 Gal. (190.0 liters) |
| Capacity, Low on Sight Gauge | 23.10 Gal. (87.4 liters) | 39.75 Gal. (150.4 liters) |
| Pump Data* | | |
| Flow Range | Up to 20 gpm (75.7 lpm) | Up to 20 gpm (75.7 lpm) |
| Pressure Range | Up to 3500 psi (241 bar) | Up to 3500 psi (241 bar) |
| Power Range | Up to 50 HP (37.3 kW) | Up to 50 HP (37.3 kW) |

* See Continental Hydraulics Vane Pump or Piston Pump Catalogs for complete codes and specifications.

NFPA/JIC Style Power Units

50 GALLON CAPACITY

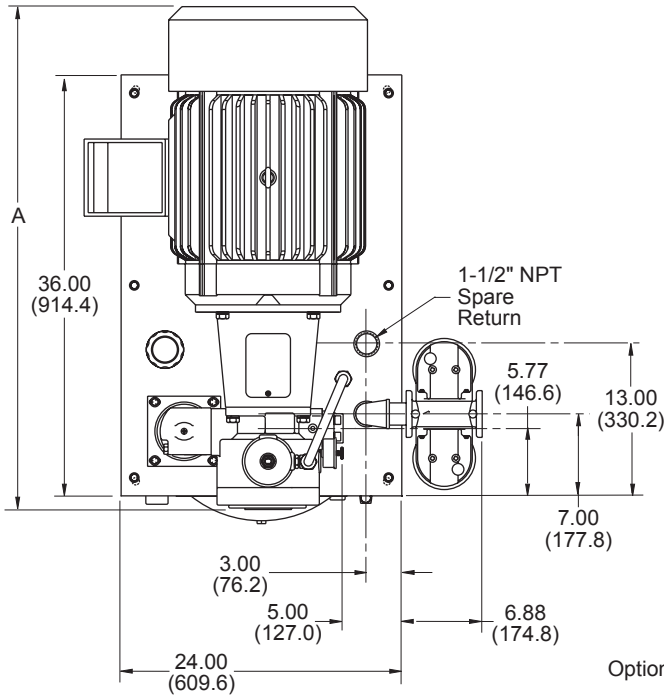
Dimension Drawing - With PVR50 Vane Pump

CONTINENTAL



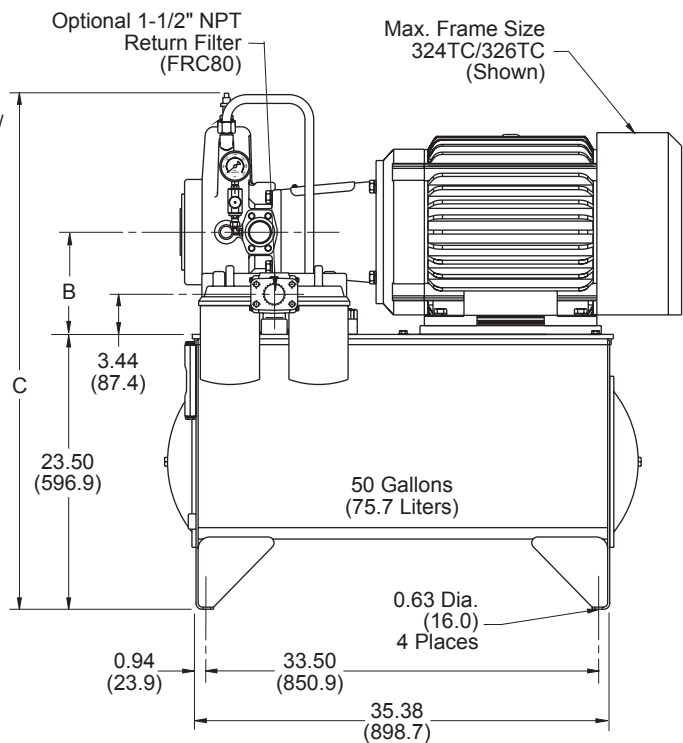
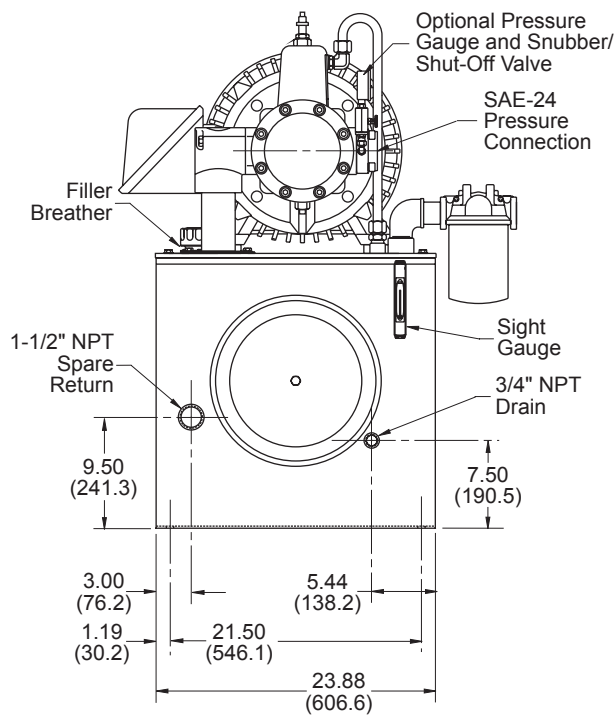
HYDRAULICS

Dimensions shown in: Inches (± .125)
 (millimeters (± 1 mm))



Dimensions

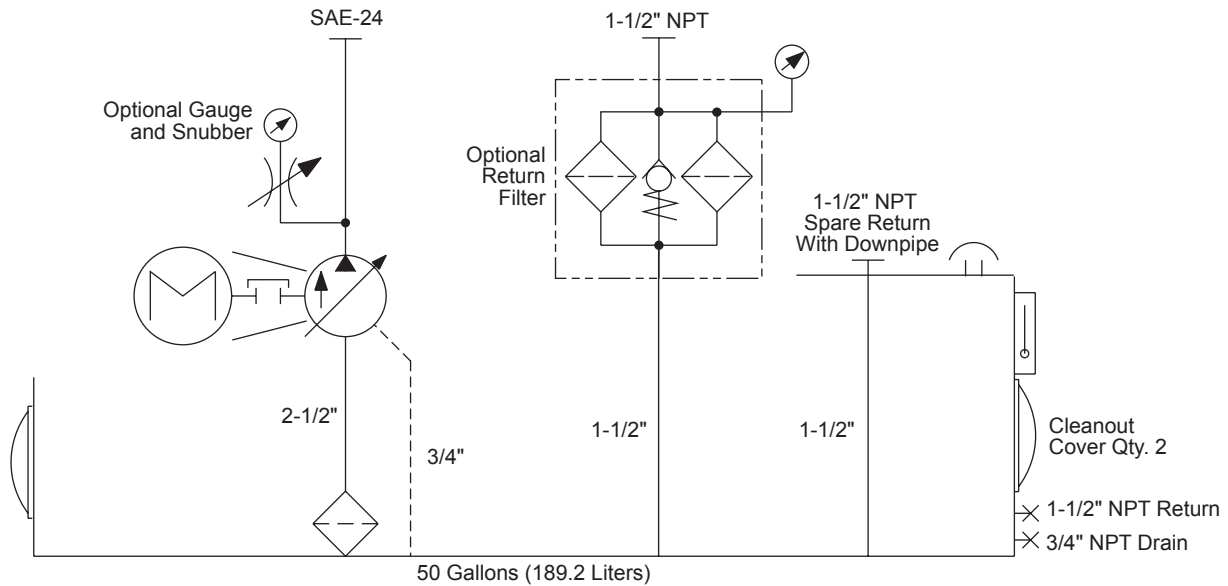
| Motor Frame | A | B | C |
|-------------|----------------|--------------|----------------|
| 254TC | 35.48 (901.2) | 7.00 (177.8) | 42.41 (1077.2) |
| 256TC | 37.18 (944.4) | 7.00 (177.8) | 42.41 (1077.2) |
| 284TC | 39.11 (993.4) | 7.75 (196.8) | 43.16 (1096.3) |
| 286TC | 40.61 (1031.5) | 7.75 (196.8) | 43.16 (1096.3) |
| 324TC | 42.52 (1080.0) | 8.75 (222.2) | 44.16 (1121.7) |
| 326TC | 42.52 (1080.0) | 8.75 (222.2) | 44.16 (1121.7) |



NFPA/JIC Style Power Units

50 GALLON CAPACITY

Schematic and Specifications - With PVR50 Vane Pump



| GENERAL SPECIFICATIONS | R50 |
|--|---------------------------------------|
| Reservoir Capacity | 50 Gal. (189.2 liters) |
| Surface Area For Heat Transfer | 17.27 sq. ft. (1.60 m ²) |
| Heat Dissipation | Sq. Ft. of Vertical Steel x ΔT / 1000 |
| Basic Weight (Less Oil, Pump, and Motor) | 455 lbs. (206.4 kg) |
| Usable Gallons | 14.07 Gal. (26.3 liters) |
| Gallons Per Inch Rise | 3.49 Gal. (13.2 liters) |
| Capacity, Full to Top Plate | 57.18 Gal. (216.4 liters) |
| Capacity, High on Sight Gauge | 50.21 Gal. (190.0 liters) |
| Capacity, Low on Sight Gauge | 39.75 Gal. (150.4 liters) |
| Pump Data* | |
| Flow Range | Up to 70 gpm (264.9 lpm) |
| Pressure Range | Up to 2000 psi (138 bar) |
| Power Range | Up to 50 HP (37.3 kW) |

* See Continental Hydraulics Vane Pump or Piston Pump Catalogs for complete codes and specifications.

NFPA/JIC Style Power Units

70 GALLON CAPACITY

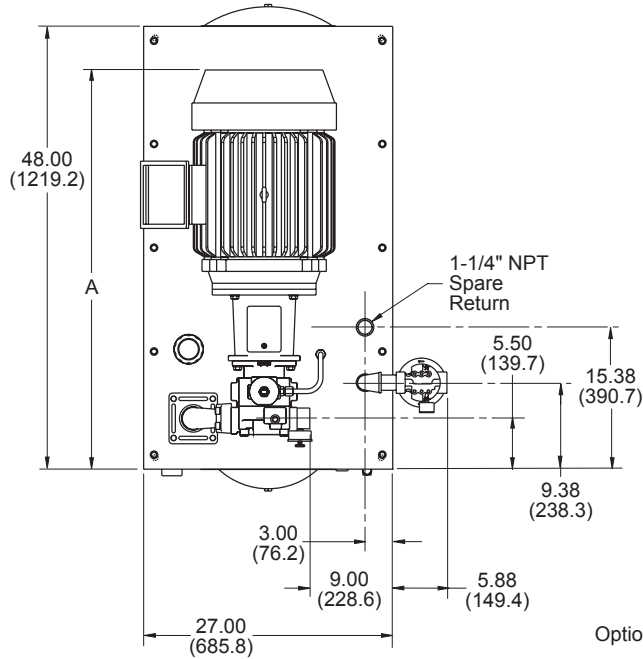
Dimension Drawing - With PVR15 Vane Pump

CONTINENTAL



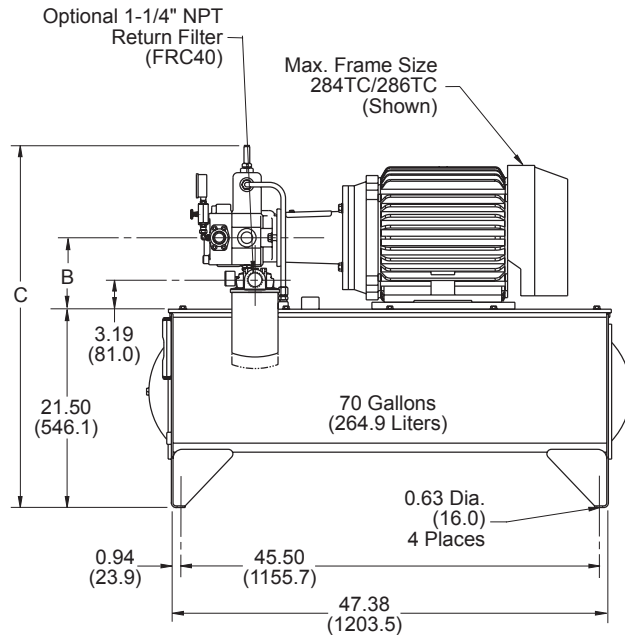
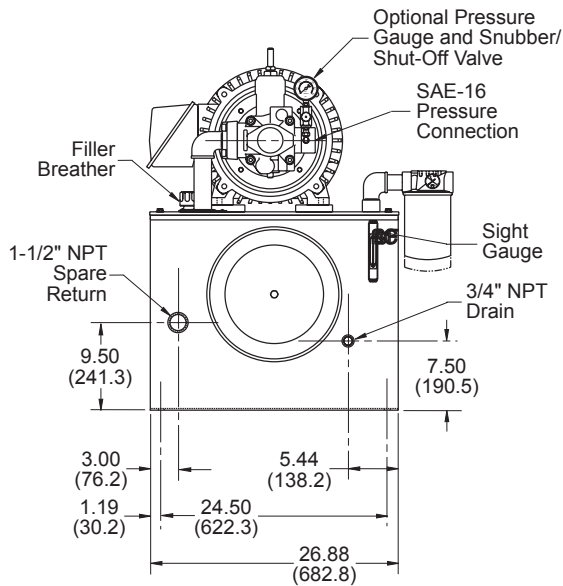
HYDRAULICS

Dimensions shown in: Inches (± .125)
millimeters (± 1 mm)



Dimensions

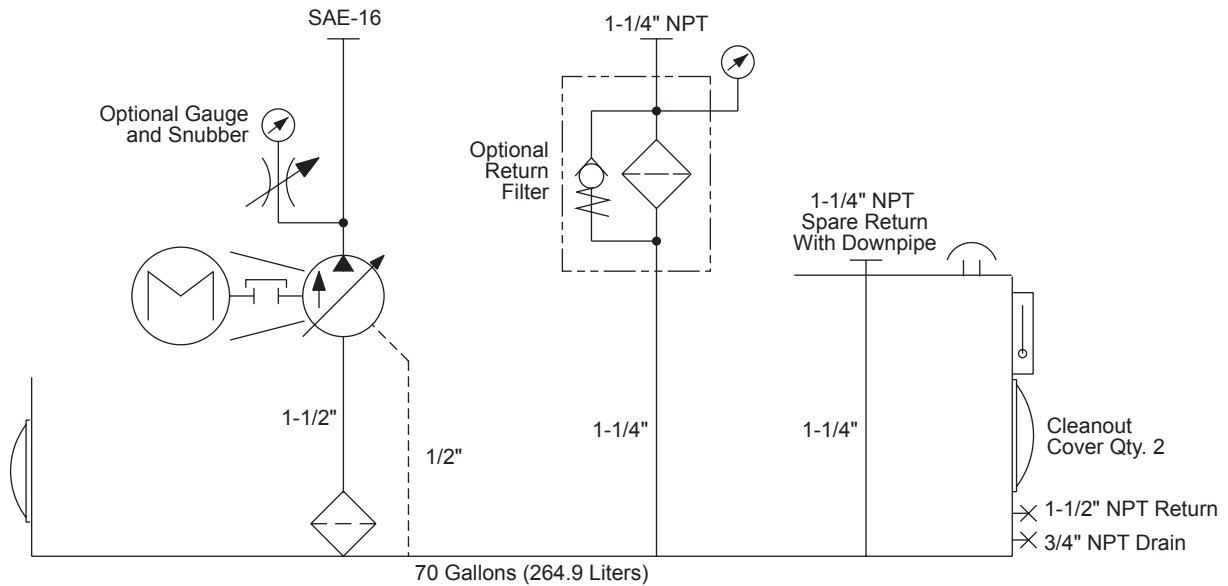
| Motor Frame | A | B | C |
|-------------|----------------|--------------|---------------|
| 182TC | 29.18 (741.2) | 5.75 (146.0) | 37.25 (946.1) |
| 184TC | 30.17 (766.3) | 5.75 (146.0) | 37.25 (946.1) |
| 213TC | 32.20 (817.9) | 6.50 (165.1) | 38.00 (965.2) |
| 215TC | 33.69 (855.7) | 6.50 (165.1) | 38.00 (965.2) |
| 254TC | 38.03 (966.0) | 7.00 (177.8) | 38.50 (977.9) |
| 256TC | 39.73 (1009.1) | 7.00 (177.8) | 38.50 (977.9) |
| 284TC | 41.53 (1054.9) | 7.75 (196.8) | 39.25 (996.9) |
| 286TC | 43.03 (1093.0) | 7.75 (196.8) | 39.25 (996.9) |



NFPA/JIC Style Power Units

70 GALLON CAPACITY

Schematic and Specifications - With PVR15 Vane Pump



| GENERAL SPECIFICATIONS | R70 |
|--|---------------------------------------|
| Reservoir Capacity | 70 Gal. (254.9 liters) |
| Surface Area For Heat Transfer | 21.16 sq. ft. (1.97 m ²) |
| Heat Dissipation | Sq. Ft. of Vertical Steel x ΔT / 1000 |
| Basic Weight (Less Oil, Pump, and Motor) | 510 lbs. (231.3 kg) |
| Usable Gallons | 18.68 Gal. (70.7 liters) |
| Gallons Per Inch Rise | 5.29 Gal. (20.0 liters) |
| Capacity, Full to Top Plate | 75.89 Gal. (287.2 liters) |
| Capacity, High on Sight Gauge | 65.75 Gal. (248.9 liters) |
| Capacity, Low on Sight Gauge | 48.75 Gal. (184.5 liters) |
| Pump Data* | |
| Flow Range | Up to 30 gpm (113.5 lpm) |
| Pressure Range | Up to 2000 psi (138 bar) |
| Power Range | Up to 30 HP (22.4 kW) |

* See Continental Hydraulics Vane Pump or Piston Pump Catalogs for complete codes and specifications.

NFPA/JIC Style Power Units

70 GALLON CAPACITY

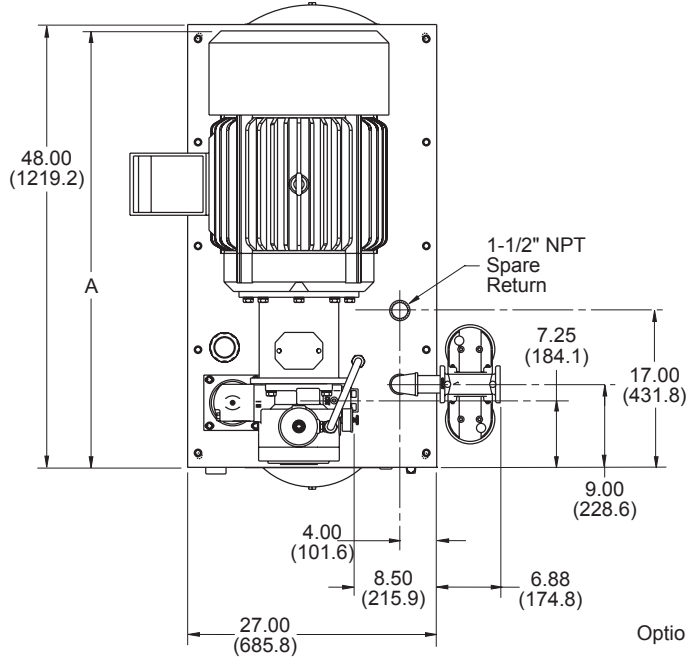
Dimension Drawing - With PVR50 Vane Pump

CONTINENTAL



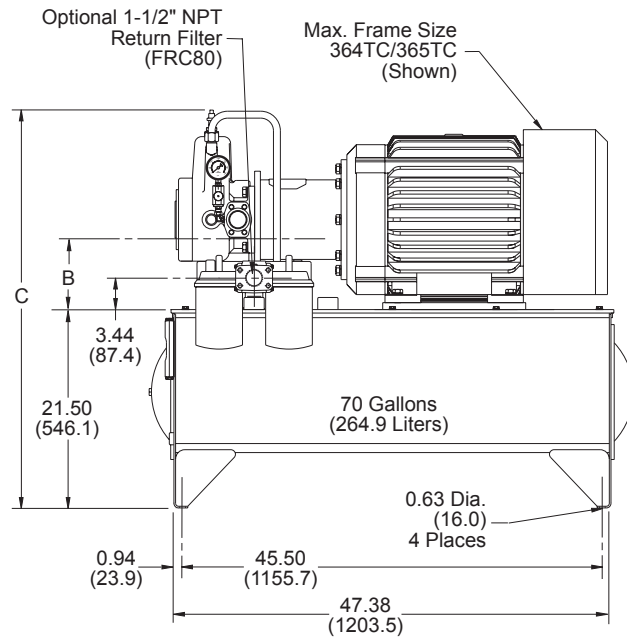
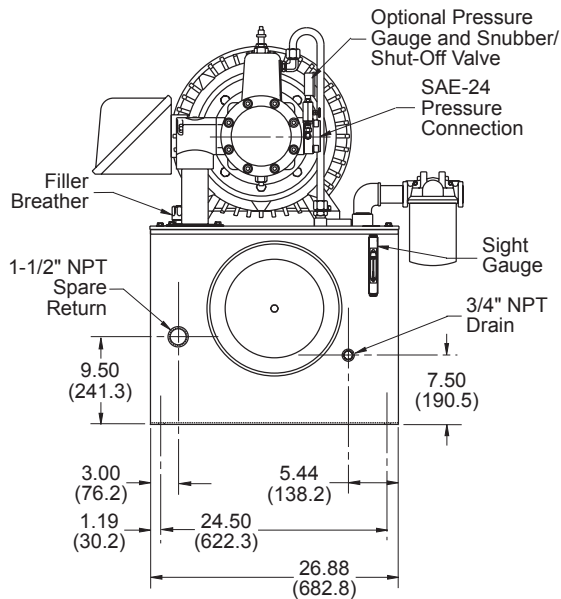
HYDRAULICS

Dimensions shown in: Inches (± .125)
 (millimeters (± 1 mm))



Dimensions

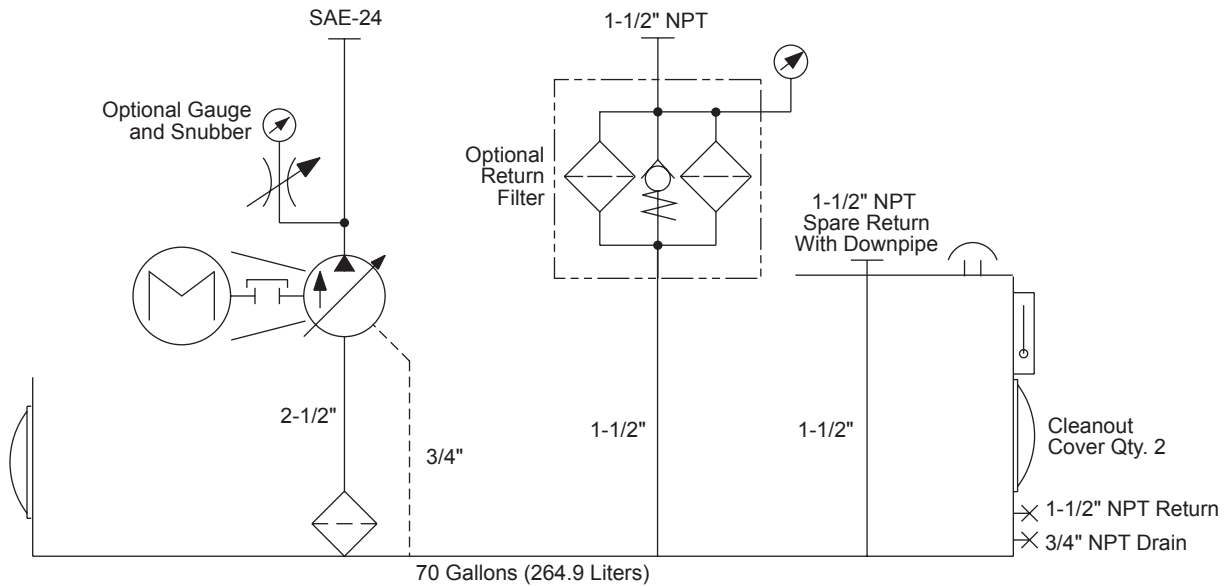
| Motor Frame | A | B | C |
|-------------|----------------|--------------|----------------|
| 254TC | 36.21 (919.7) | 7.00 (177.8) | 40.41 (1026.4) |
| 256TC | 37.91 (962.9) | 7.00 (177.8) | 40.41 (1026.4) |
| 284TC | 39.84 (1011.9) | 7.75 (196.8) | 41.46 (1053.1) |
| 286TC | 41.34 (1050.0) | 7.75 (196.8) | 41.46 (1053.1) |
| 324TC | 43.25 (1098.5) | 8.75 (222.2) | 42.16 (1070.9) |
| 326TC | 43.25 (1098.5) | 8.75 (222.2) | 42.16 (1070.9) |
| 364TC | 46.88 (1190.8) | 9.75 (247.6) | 43.16 (1096.3) |
| 365TC | 46.88 (1190.8) | 9.75 (247.6) | 43.16 (1096.3) |



NFPA/JIC Style Power Units

70 GALLON CAPACITY

Schematic and Specifications - With PVR50 Vane Pump



| GENERAL SPECIFICATIONS | R70 |
|--|---------------------------------------|
| Reservoir Capacity | 70 Gal. (254.9 liters) |
| Surface Area For Heat Transfer | 21.16 sq. ft. (1.97 m ²) |
| Heat Dissipation | Sq. Ft. of Vertical Steel x ΔT / 1000 |
| Basic Weight (Less Oil, Pump, and Motor) | 570 lbs. (258.6 kg) |
| Usable Gallons | 10.12 Gal. (38.3 liters) |
| Gallons Per Inch Rise | 5.29 Gal. (20.0 liters) |
| Capacity, Full to Top Plate | 75.89 Gal. (287.2 liters) |
| Capacity, High on Sight Gauge | 65.75 Gal. (248.9 liters) |
| Capacity, Low on Sight Gauge | 48.75 Gal. (184.5 liters) |
| Pump Data* | |
| Flow Range | Up to 70 gpm (254.9 lpm) |
| Pressure Range | Up to 2000 psi (138 bar) |
| Power Range | Up to 75 HP (55.9 kW) |

* See Continental Hydraulics Vane Pump or Piston Pump Catalogs for complete codes and specifications.

NFPA/JIC Style Power Units

70 GALLON CAPACITY

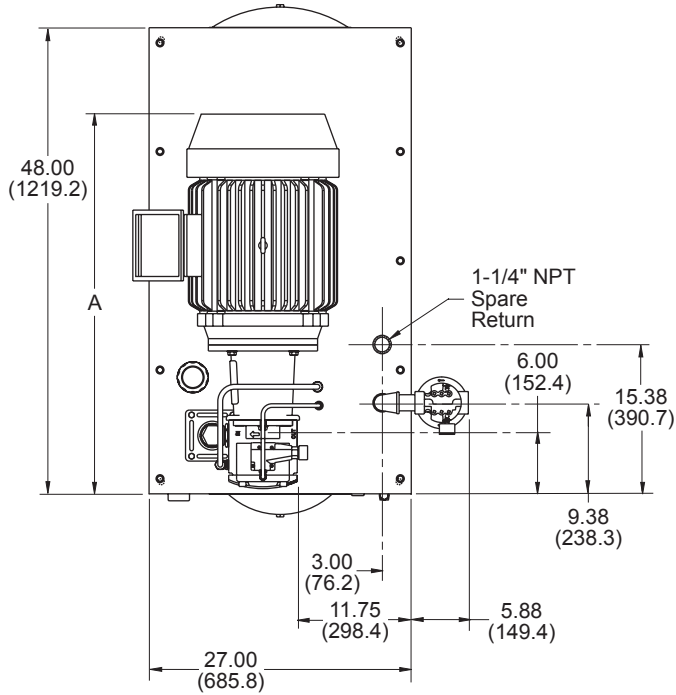
Dimension Drawing - With PVX11/15 Vane Pump

CONTINENTAL



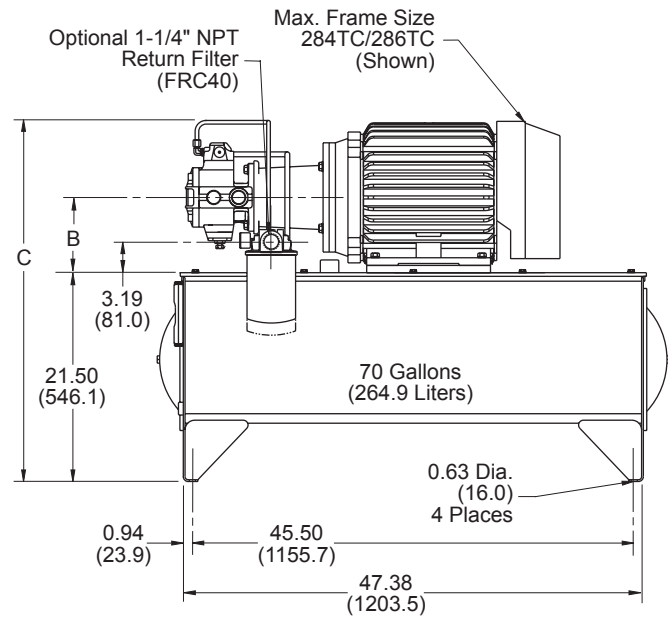
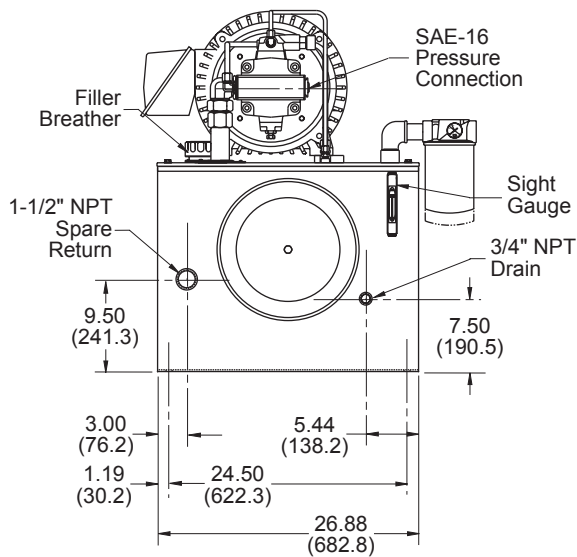
HYDRAULICS

Dimensions shown in: Inches (± .125)
(millimeters (± 1 mm))



Dimensions

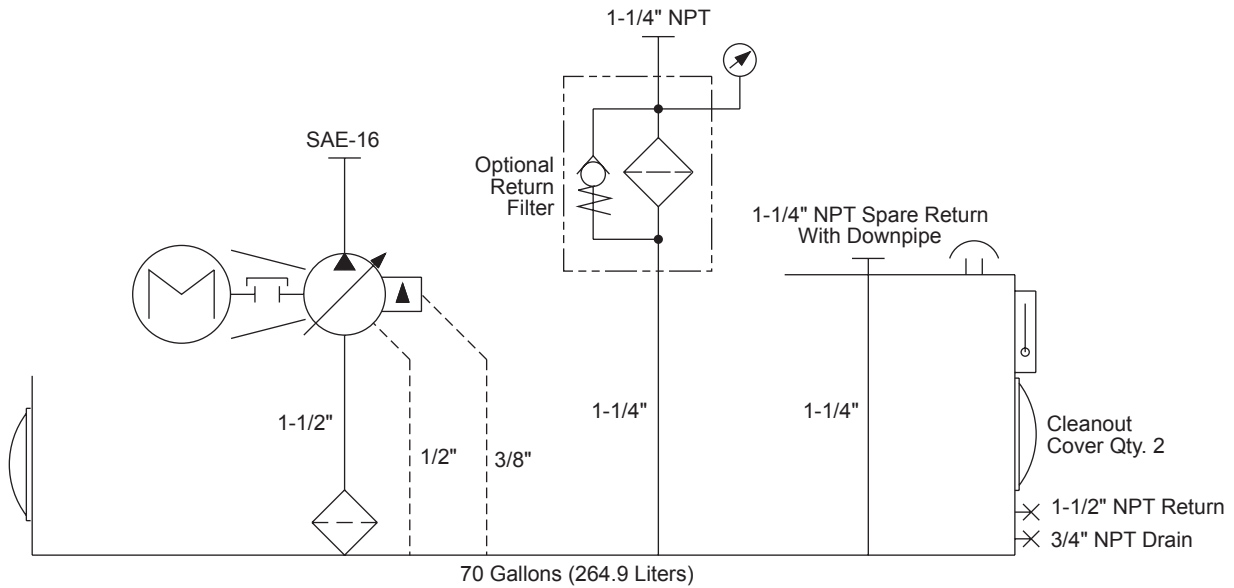
| Motor Frame | A | B | C |
|-------------|---------------|--------------|---------------|
| 182TC | 24.50 (622.3) | 5.75 (146.0) | 35.75 (908.0) |
| 184TC | 25.49 (647.4) | 5.75 (146.0) | 35.75 (908.0) |
| 213TC | 28.02 (711.7) | 6.50 (165.1) | 36.50 (927.1) |
| 215TC | 29.51 (749.6) | 6.50 (165.1) | 36.50 (927.1) |
| 254TC | 33.85 (859.8) | 7.00 (177.8) | 37.00 (939.8) |
| 256TC | 33.55 (852.2) | 7.00 (177.8) | 37.00 (939.8) |
| 284TC | 37.35 (948.7) | 7.75 (196.8) | 37.75 (958.8) |
| 286TC | 38.85 (986.8) | 7.75 (196.8) | 37.75 (958.8) |



NFPA/JIC Style Power Units

70 GALLON CAPACITY

Schematic and Specifications - With PVX11/15 Vane Pump



| GENERAL SPECIFICATIONS | R70 |
|--|---------------------------------------|
| Reservoir Capacity | 70 Gal. (254.9 liters) |
| Surface Area For Heat Transfer | 21.16 sq. ft. (1.97 m ²) |
| Heat Dissipation | Sq. Ft. of Vertical Steel x ΔT / 1000 |
| Basic Weight (Less Oil, Pump, and Motor) | 509 lbs. (230.9 kg) |
| Usable Gallons | 18.68 Gal. (70.7 liters) |
| Gallons Per Inch Rise | 5.29 Gal. (20.0 liters) |
| Capacity, Full to Top Plate | 75.89 Gal. (287.2 liters) |
| Capacity, High on Sight Gauge | 65.75 Gal. (248.9 liters) |
| Capacity, Low on Sight Gauge | 48.75 Gal. (184.5 liters) |
| Pump Data* | |
| Flow Range | Up to 15 gpm (56.8 lpm) |
| Pressure Range | Up to 3000 psi (207 bar) |
| Power Range | Up to 30 HP (22.4 kW) |

* See Continental Hydraulics Vane Pump or Piston Pump Catalogs for complete codes and specifications.

NFPA/JIC Style Power Units

70 GALLON CAPACITY

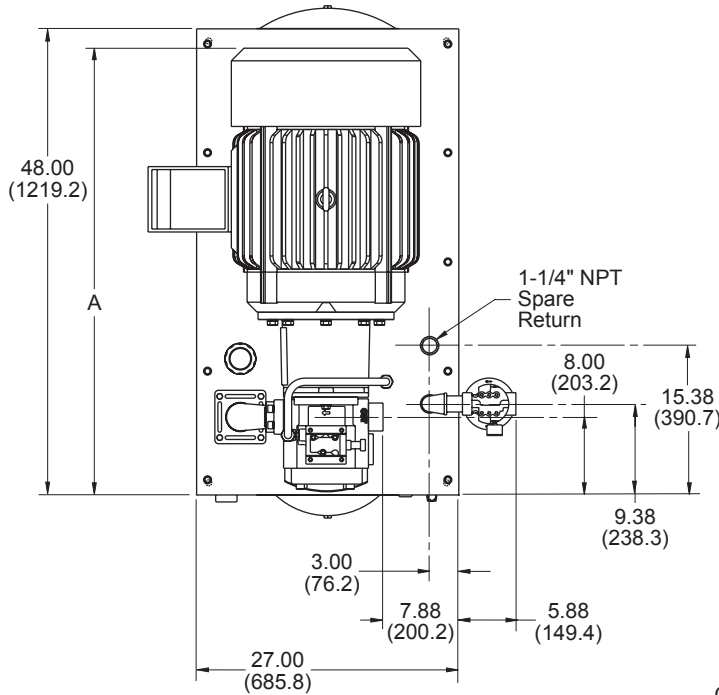
Dimension Drawing - With PVX20/29/36 Vane Pump

CONTINENTAL



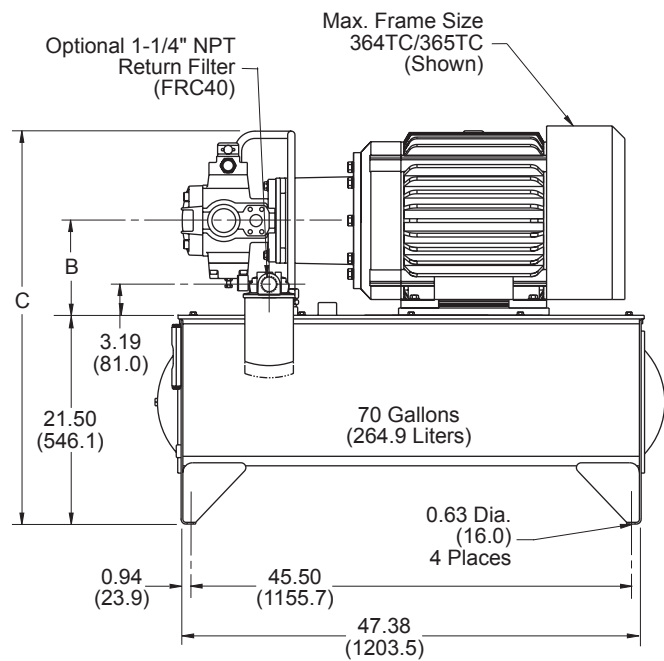
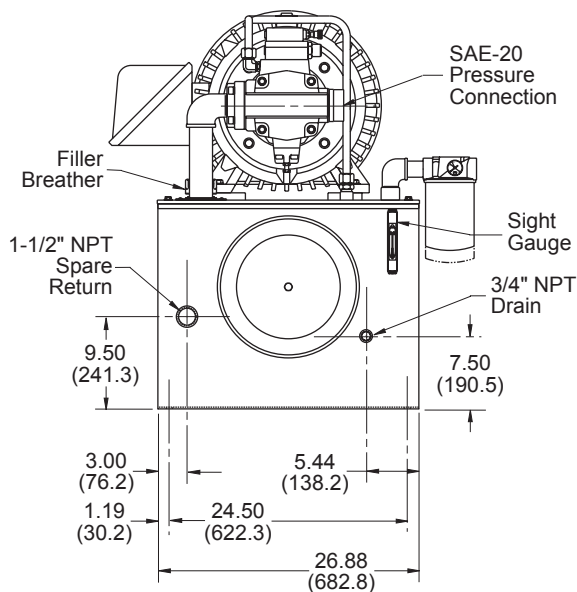
HYDRAULICS

Dimensions shown in: Inches (± .125)
 (millimeters (± 1 mm))



Dimensions

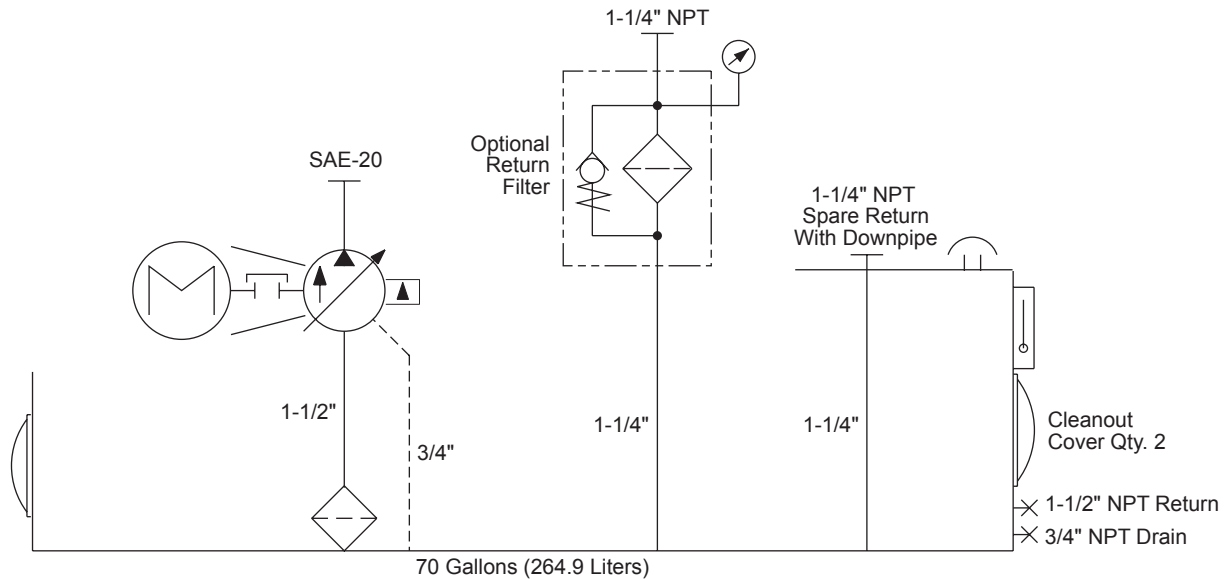
| Motor Frame | A | B | C |
|-------------|----------------|--------------|----------------|
| 213TC | 30.49 (774.4) | 6.50 (165.1) | 38.25 (971.5) |
| 215TC | 31.98 (812.3) | 6.50 (165.1) | 38.25 (971.5) |
| 254TC | 36.32 (922.5) | 7.00 (177.8) | 38.75 (984.2) |
| 256TC | 38.02 (965.7) | 7.00 (177.8) | 38.75 (984.2) |
| 284TC | 39.82 (1011.4) | 7.75 (196.8) | 39.50 (1003.3) |
| 286TC | 41.32 (1049.5) | 7.75 (196.8) | 39.50 (1003.3) |
| 324TC | 42.86 (1088.6) | 8.75 (222.2) | 40.50 (1028.7) |
| 326TC | 42.86 (1088.6) | 8.75 (222.2) | 40.50 (1028.7) |
| 364TC | 46.36 (1177.5) | 9.75 (247.6) | 41.50 (1054.1) |
| 365TC | 46.36 (1177.5) | 9.75 (247.6) | 41.50 (1054.1) |



NFPA/JIC Style Power Units

70 GALLON CAPACITY

Schematic and Specifications - With PVX20/29/36 Vane Pump



| GENERAL SPECIFICATIONS | R70 |
|--|---|
| Reservoir Capacity | 70 Gal. (254.9 liters) |
| Surface Area For Heat Transfer | 21.16 sq. ft. (1.97 m ²) |
| Heat Dissipation | Sq. Ft. of Vertical Steel x ΔT / 1000 |
| Basic Weight (Less Oil, Pump, and Motor) | 515 lbs. (233.6 kg) |
| Usable Gallons | 17.50 Gal. (66.2 liters) |
| Gallons Per Inch Rise | 5.29 Gal. (20.0 liters) |
| Capacity, Full to Top Plate | 75.89 Gal. (287.2 liters) |
| Capacity, High on Sight Gauge | 65.75 Gal. (248.9 liters) |
| Capacity, Low on Sight Gauge | 48.75 Gal. (184.5 liters) |
| Pump Data* | |
| Flow Range | Up to 36 gpm (136.3 lpm) |
| Pressure Range | Up to 3000 psi (207 bar) |
| Power Range | Up to 75 HP (55.9 kW) |

* See Continental Hydraulics Vane Pump or Piston Pump Catalogs for complete codes and specifications.

NFPA/JIC Style Power Units

70 GALLON CAPACITY

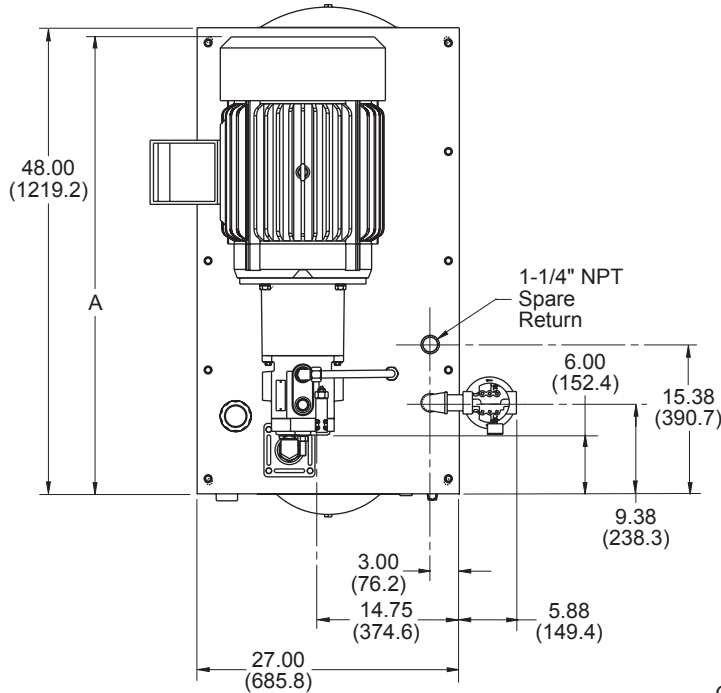
Dimension Drawing - With HPV20 Piston Pump

CONTINENTAL



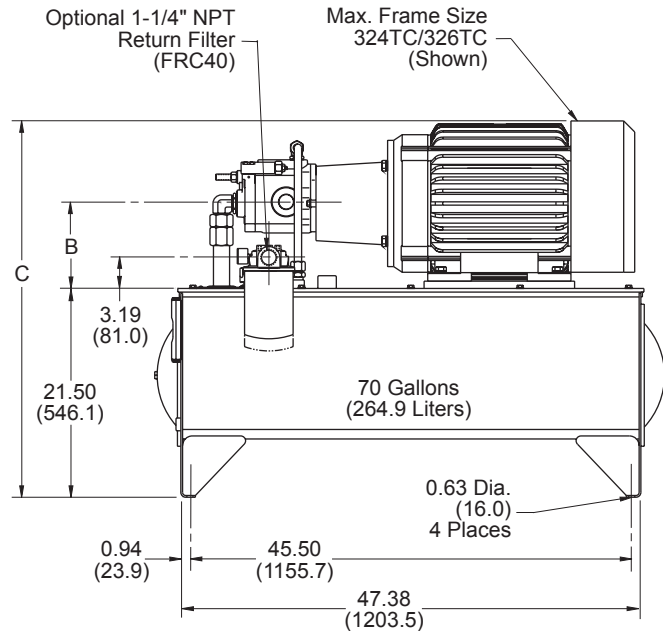
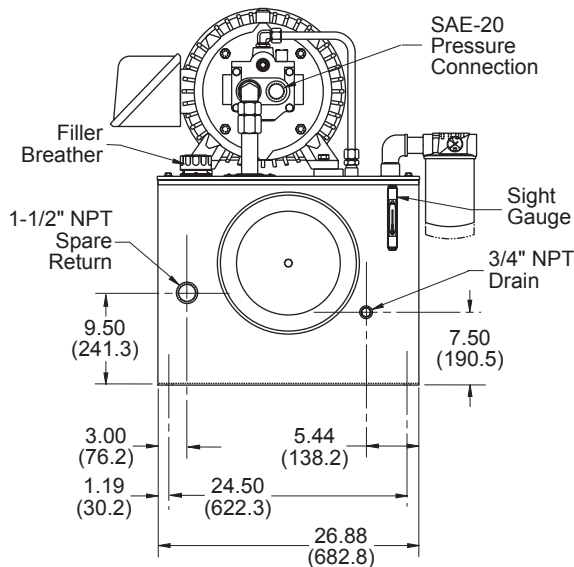
HYDRAULICS

Dimensions shown in: Inches (± .125)
 (millimeters (± 1 mm))

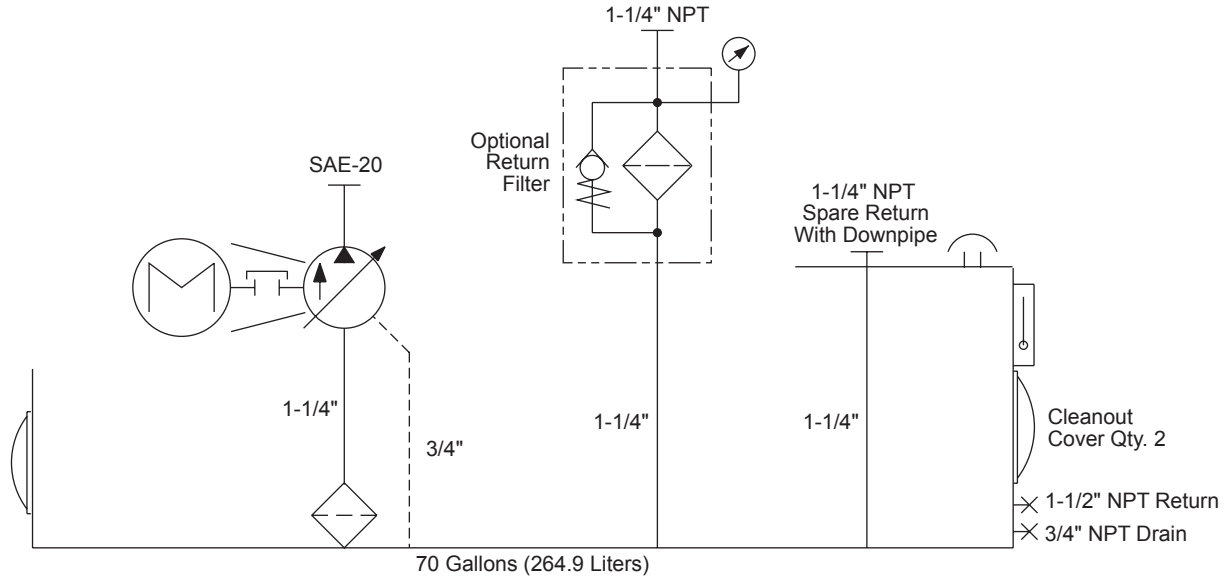


Dimensions

| Motor Frame | A | B | C |
|-------------|----------------|--------------|---------------|
| 254TC | 41.09 (1043.7) | 7.00 (177.8) | 35.13 (892.3) |
| 256TC | 42.79 (1086.9) | 7.00 (177.8) | 35.13 (892.3) |
| 284TC | 44.59 (1132.6) | 7.75 (196.8) | 36.63 (930.4) |
| 286TC | 46.09 (1170.7) | 7.75 (196.8) | 36.63 (930.4) |
| 324TC | 47.63 (1209.8) | 8.75 (222.2) | 38.60 (980.4) |
| 326TC | 47.63 (1209.8) | 8.75 (222.2) | 38.60 (980.4) |



NFPA/JIC Style Power Units
70 GALLON CAPACITY
Schematic and Specifications - With HPV20 Piston Pump



| GENERAL SPECIFICATIONS | R70 |
|--|---|
| Reservoir Capacity | 70 Gal. (254.9 liters) |
| Surface Area For Heat Transfer | 21.16 sq. ft. (1.97 m ²) |
| Heat Dissipation | Sq. Ft. of Vertical Steel x ΔT / 1000 |
| Basic Weight (Less Oil, Pump, and Motor) | 515 lbs. (233.6 kg) |
| Usable Gallons | 17.50 Gal. (66.2 liters) |
| Gallons Per Inch Rise | 5.29 Gal. (20.0 liters) |
| Capacity, Full to Top Plate | 75.89 Gal. (287.2 liters) |
| Capacity, High on Sight Gauge | 65.75 Gal. (248.9 liters) |
| Capacity, Low on Sight Gauge | 48.75 Gal. (184.5 liters) |
| Pump Data* | |
| Flow Range | Up to 20 gpm (75.7 lpm) |
| Pressure Range | Up to 3500 psi (241 bar) |
| Power Range | Up to 50 HP (37.3 kW) |

* See Continental Hydraulics Vane Pump or Piston Pump Catalogs for complete codes and specifications.

NFPA/JIC Style Power Units

70 GALLON CAPACITY

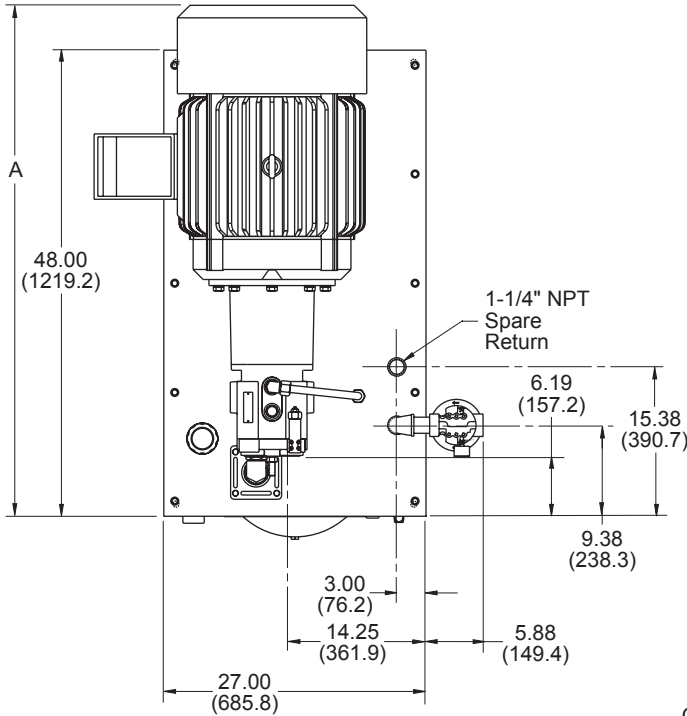
Dimension Drawing - With HPV29 Piston Pump

CONTINENTAL



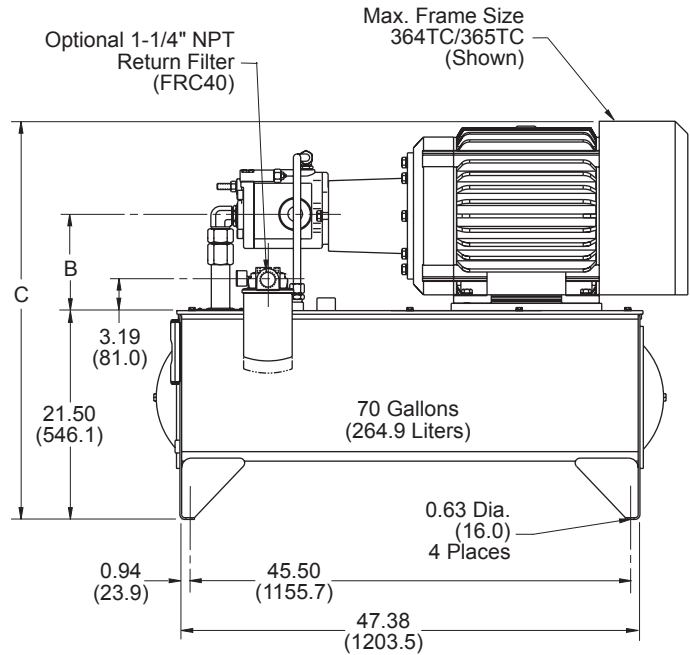
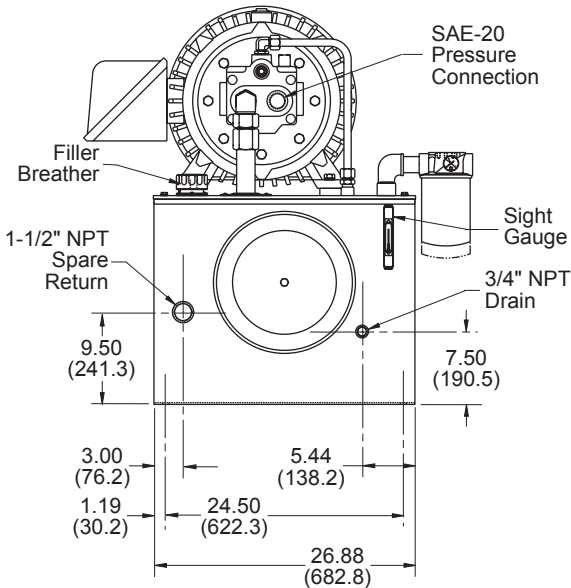
HYDRAULICS

Dimensions shown in: Inches (± .125)
(millimeters (± 1 mm))



Dimensions

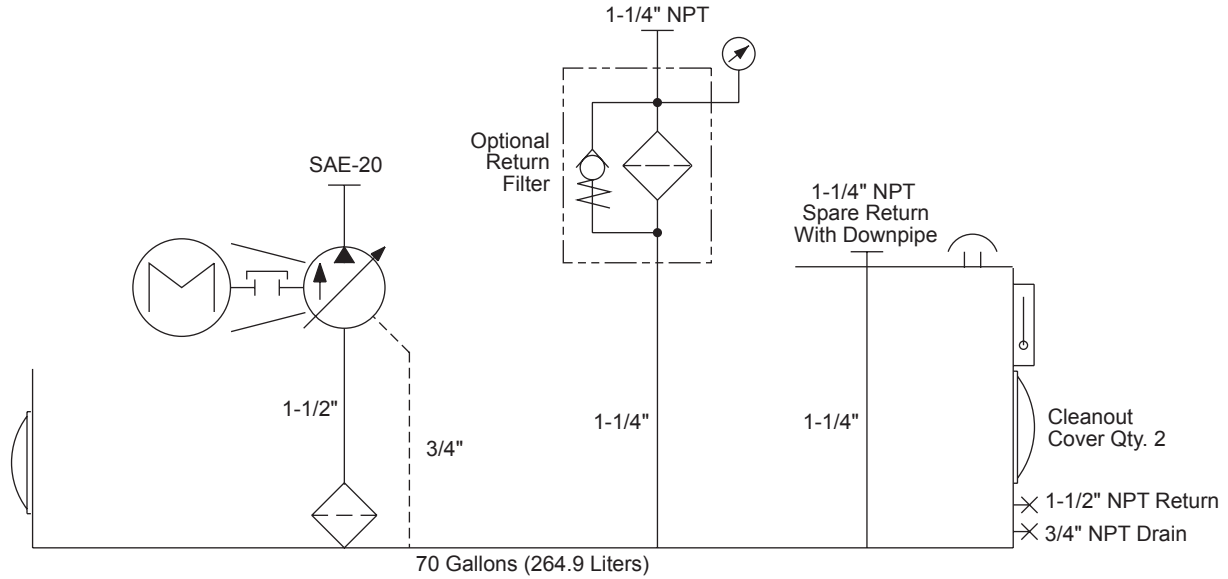
| Motor Frame | A | B | C |
|-------------|----------------|--------------|----------------|
| 254TC | 41.91 (1064.5) | 7.00 (177.8) | 35.13 (892.3) |
| 256TC | 43.61 (1107.7) | 7.00 (177.8) | 35.13 (892.3) |
| 284TC | 45.41 (1153.4) | 7.75 (196.8) | 36.63 (930.4) |
| 286TC | 46.91 (1191.5) | 7.75 (196.8) | 36.63 (930.4) |
| 324TC | 48.45 (1230.6) | 8.75 (222.2) | 38.60 (980.4) |
| 326TC | 48.45 (1230.6) | 8.75 (222.2) | 38.60 (980.4) |
| 364TC | 52.57 (1335.3) | 9.75 (247.6) | 40.50 (1028.7) |
| 365TC | 52.57 (1335.3) | 9.75 (247.6) | 40.50 (1028.7) |



NFPA/JIC Style Power Units

70 GALLON CAPACITY

Schematic and Specifications - With HPV29 Piston Pump



| GENERAL SPECIFICATIONS | R70 |
|--|---|
| Reservoir Capacity | 70 Gal. (254.9 liters) |
| Surface Area For Heat Transfer | 21.16 sq. ft. (1.97 m ²) |
| Heat Dissipation | Sq. Ft. of Vertical Steel x ΔT / 1000 |
| Basic Weight (Less Oil, Pump, and Motor) | 515 lbs. (233.6 kg) |
| Usable Gallons | 17.50 Gal. (66.2 liters) |
| Gallons Per Inch Rise | 5.29 Gal. (20.0 liters) |
| Capacity, Full to Top Plate | 75.89 Gal. (287.2 liters) |
| Capacity, High on Sight Gauge | 65.75 Gal. (248.9 liters) |
| Capacity, Low on Sight Gauge | 48.75 Gal. (184.5 liters) |
| Pump Data* | |
| Flow Range | Up to 29 gpm (109.8 lpm) |
| Pressure Range | Up to 3000 psi (207 bar) |
| Power Range | Up to 75 HP (55.9 kW) |

* See Continental Hydraulics Vane Pump or Piston Pump Catalogs for complete codes and specifications.

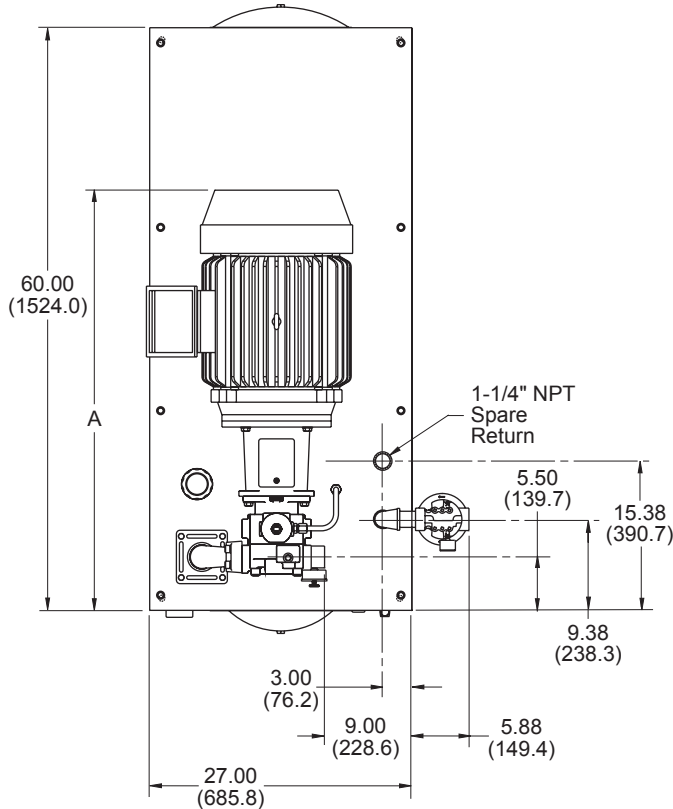
NFPA/JIC Style Power Units

90 GALLON CAPACITY

Dimension Drawing - With PVR15 Vane Pump

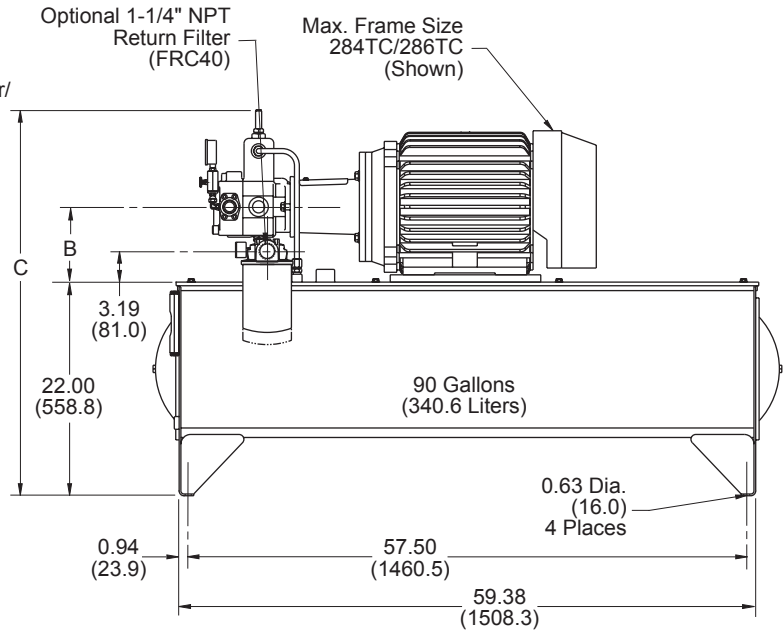
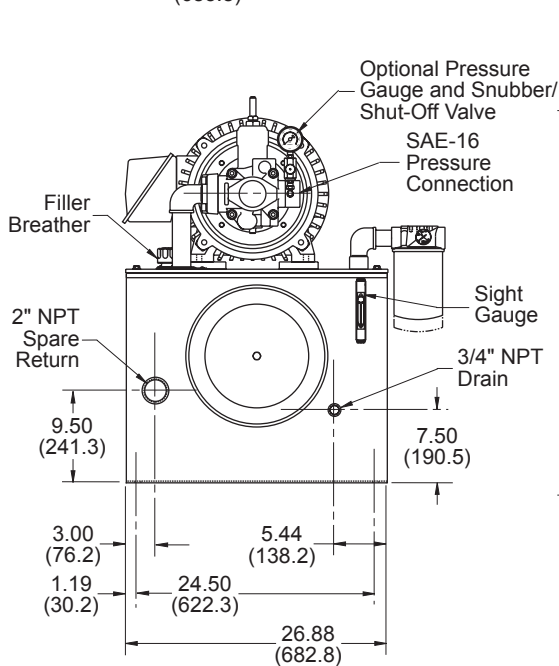


Dimensions shown in: Inches (± .125)
(millimeters (± 1 mm))



Dimensions

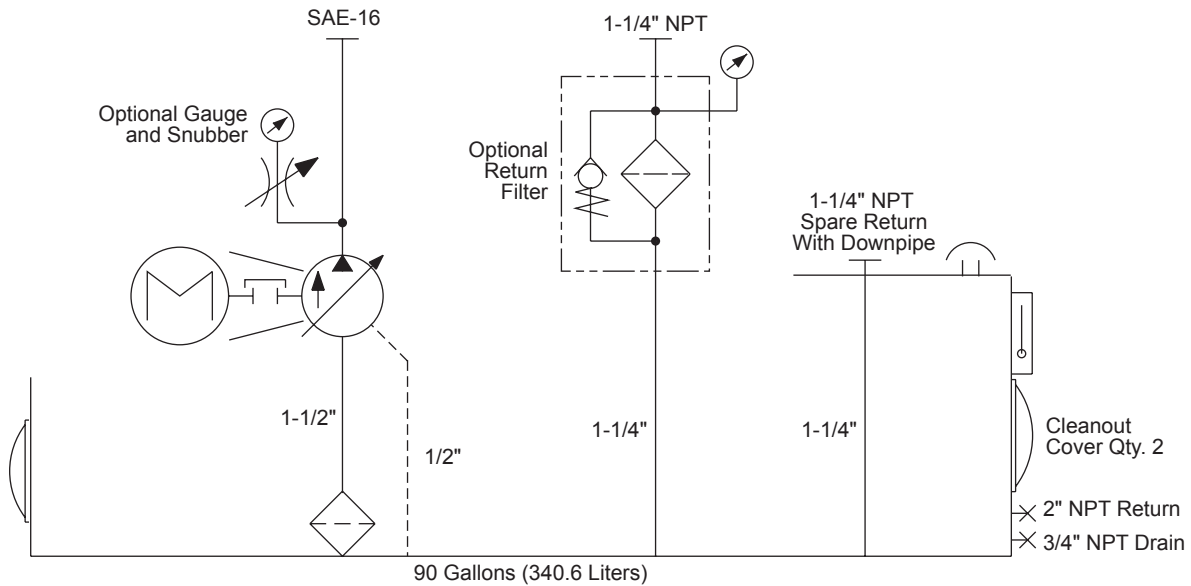
| Motor Frame | A | B | C |
|-------------|----------------|--------------|----------------|
| 182TC | 29.18 (741.2) | 5.75 (146.0) | 37.75 (958.8) |
| 184TC | 30.17 (766.3) | 5.75 (146.0) | 37.75 (958.8) |
| 213TC | 32.20 (817.9) | 6.50 (165.1) | 38.50 (977.9) |
| 215TC | 33.69 (855.7) | 6.50 (165.1) | 38.50 (977.9) |
| 254TC | 38.03 (966.0) | 7.00 (177.8) | 39.00 (990.6) |
| 256TC | 39.73 (1009.1) | 7.00 (177.8) | 39.00 (990.6) |
| 284TC | 41.53 (1054.9) | 7.75 (196.8) | 39.75 (1009.6) |
| 286TC | 43.03 (1093.0) | 7.75 (196.8) | 39.75 (1009.6) |



NFPA/JIC Style Power Units

90 GALLON CAPACITY

Schematic and Specifications - With PVR15 Vane Pump



| GENERAL SPECIFICATIONS | R90 |
|--|---------------------------------------|
| Reservoir Capacity | 90 Gal. (340.6 liters) |
| Surface Area For Heat Transfer | 26.00 sq. ft. (2.42 m ²) |
| Heat Dissipation | Sq. Ft. of Vertical Steel x ΔT / 1000 |
| Basic Weight (Less Oil, Pump, and Motor) | 590 lbs. (267.6 kg) |
| Usable Gallons | 29.14 Gal. (110.3 liters) |
| Gallons Per Inch Rise | 6.64 Gal. (25.1 liters) |
| Capacity, Full to Top Plate | 99.00 Gal. (374.7 liters) |
| Capacity, High on Sight Gauge | 86.43 Gal. (327.1 liters) |
| Capacity, Low on Sight Gauge | 65.13 Gal. (246.5 liters) |
| Pump Data* | |
| Flow Range | Up to 30 gpm (113.5 lpm) |
| Pressure Range | Up to 2000 psi (138 bar) |
| Power Range | Up to 30 HP (22.4 kW) |

* See Continental Hydraulics Vane Pump or Piston Pump Catalogs for complete codes and specifications.

NFPA/JIC Style Power Units

90 GALLON CAPACITY

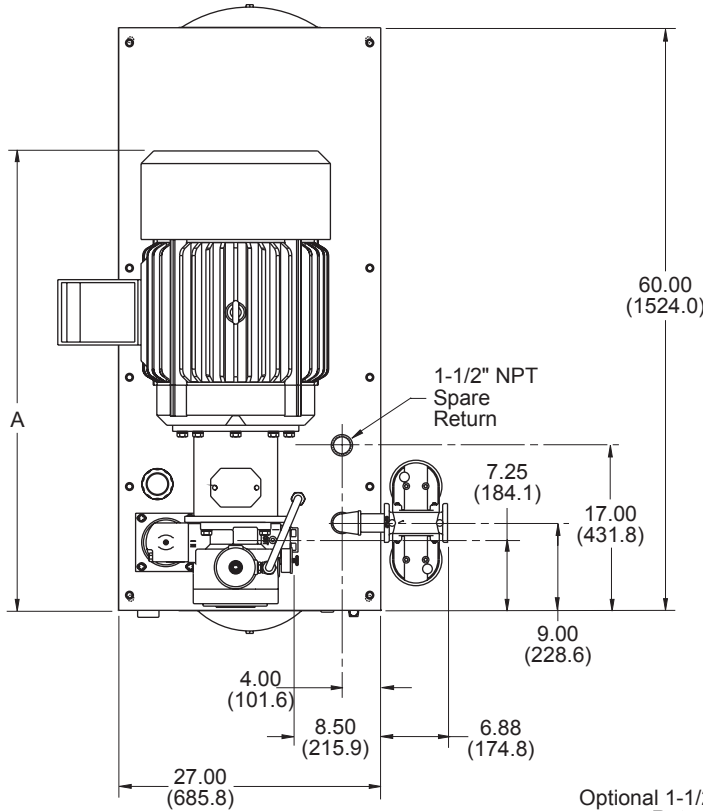
Dimension Drawing - With PVR50 Vane Pump

CONTINENTAL



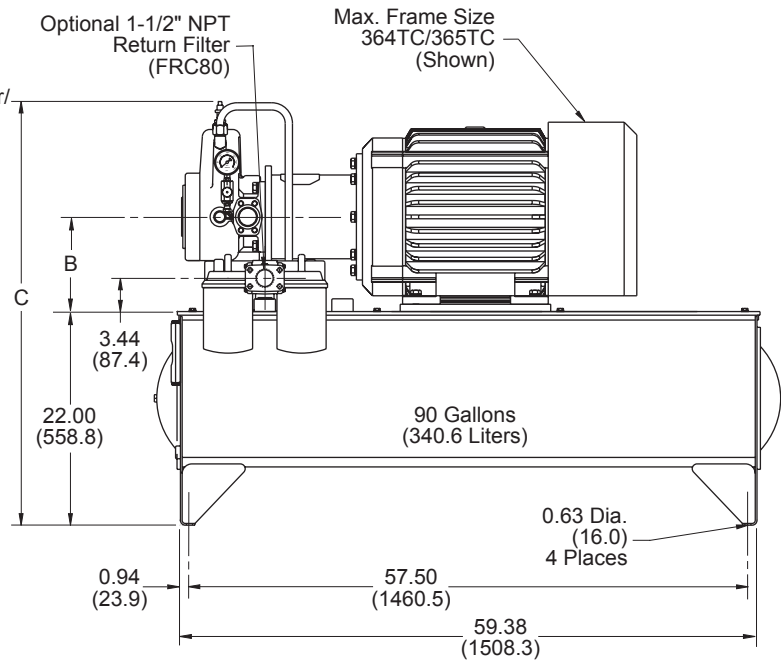
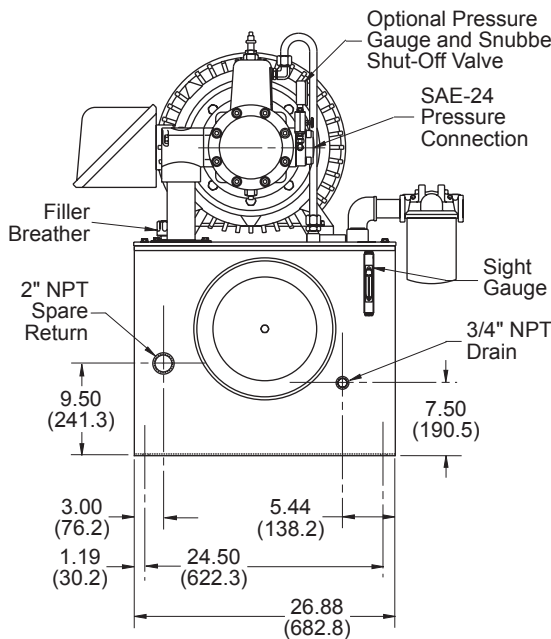
HYDRAULICS

Dimensions shown in: Inches (± .125)
 (millimeters (± 1 mm))



Dimensions

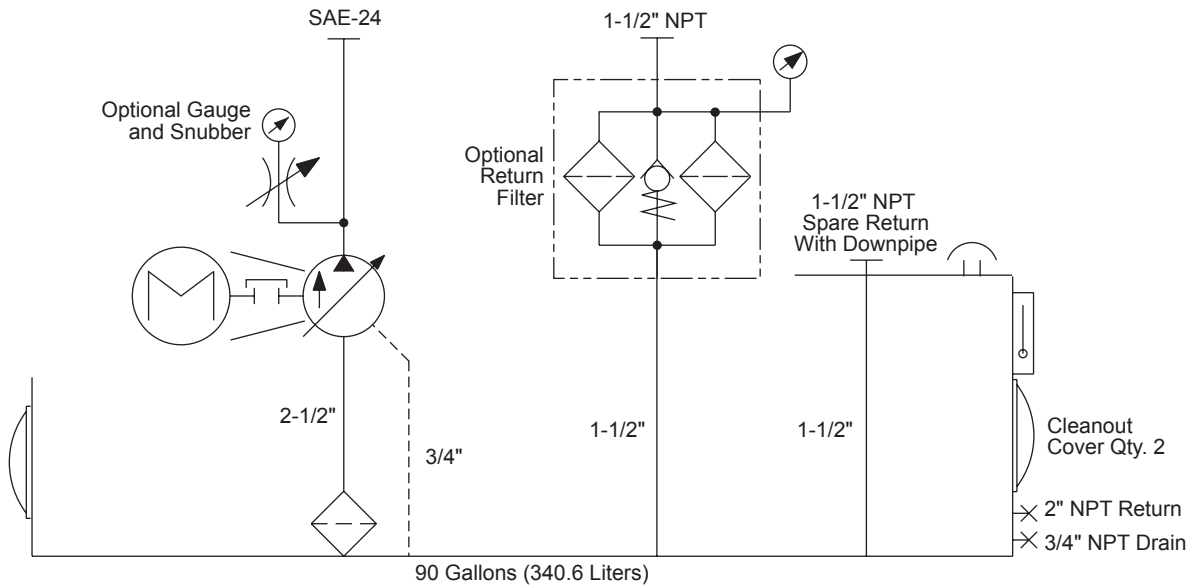
| Motor Frame | A | B | C |
|-------------|----------------|--------------|----------------|
| 254TC | 36.21 (919.7) | 7.00 (177.8) | 40.91 (1039.1) |
| 256TC | 37.91 (962.9) | 7.00 (177.8) | 40.91 (1039.1) |
| 284TC | 39.84 (1011.9) | 7.75 (196.8) | 41.66 (1058.2) |
| 286TC | 41.34 (1050.0) | 7.75 (196.8) | 41.66 (1058.2) |
| 324TC | 43.25 (1098.5) | 8.75 (222.2) | 42.56 (1083.6) |
| 326TC | 43.25 (1098.5) | 8.75 (222.2) | 42.56 (1083.6) |
| 364TC | 46.88 (1190.8) | 9.75 (247.6) | 43.66 (1109.0) |
| 365TC | 46.88 (1190.8) | 9.75 (247.6) | 43.66 (1109.0) |



NFPA/JIC Style Power Units

90 GALLON CAPACITY

Schematic and Specifications - With PVR50 Vane Pump



| GENERAL SPECIFICATIONS | R90 |
|--|---------------------------------------|
| Reservoir Capacity | 90 Gal. (340.6 liters) |
| Surface Area For Heat Transfer | 26.00 sq. ft. (2.42 m ²) |
| Heat Dissipation | Sq. Ft. of Vertical Steel x ΔT / 1000 |
| Basic Weight (Less Oil, Pump, and Motor) | 650 lbs. (294.8 kg) |
| Usable Gallons | 17.50 Gal. (66.2 liters) |
| Gallons Per Inch Rise | 6.64 Gal. (25.1 liters) |
| Capacity, Full to Top Plate | 99.00 Gal. (374.7 liters) |
| Capacity, High on Sight Gauge | 86.43 Gal. (327.1 liters) |
| Capacity, Low on Sight Gauge | 65.13 Gal. (246.5 liters) |
| Pump Data* | |
| Flow Range | Up to 70 gpm (264.9 lpm) |
| Pressure Range | Up to 2000 psi (138 bar) |
| Power Range | Up to 75 HP (55.9 kW) |

* See Continental Hydraulics Vane Pump or Piston Pump Catalogs for complete codes and specifications.

NFPA/JIC Style Power Units

90 GALLON CAPACITY

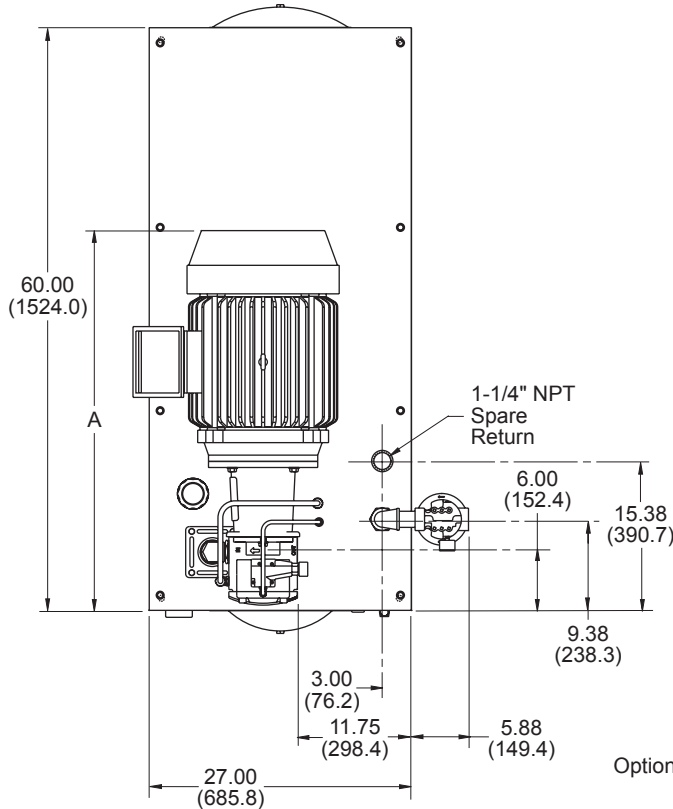
Dimension Drawing - With PVX11/15 Vane Pump

CONTINENTAL



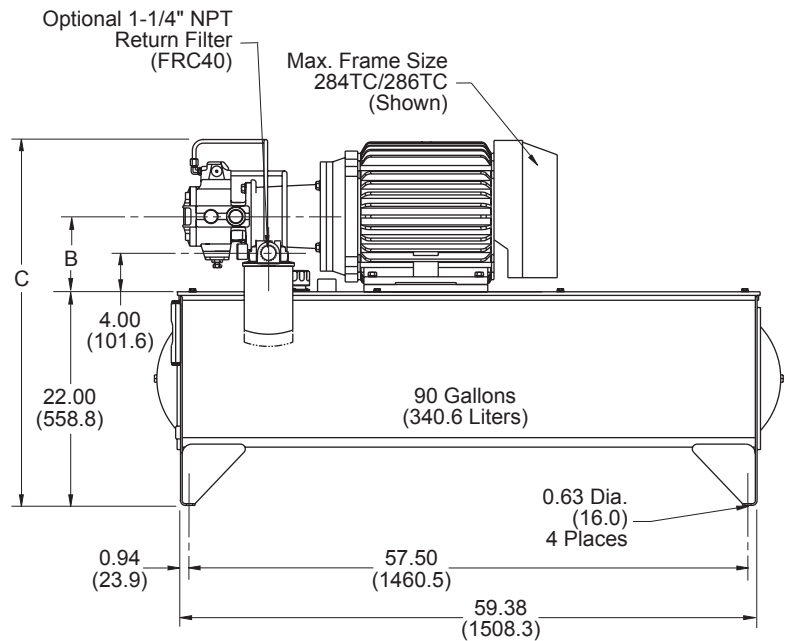
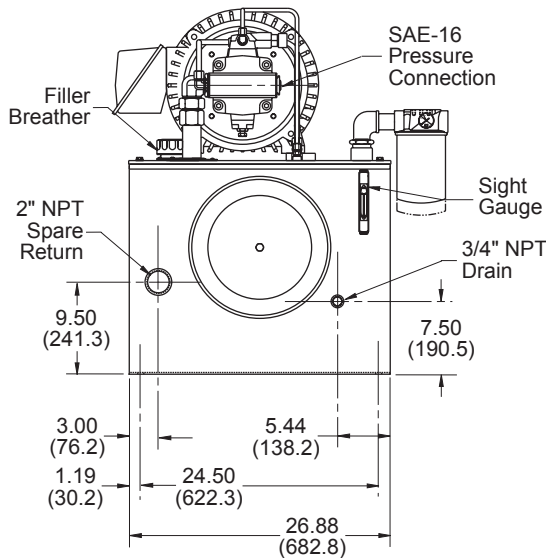
HYDRAULICS

Dimensions shown in: Inches (± .125)
 (millimeters (± 1 mm))



Dimensions

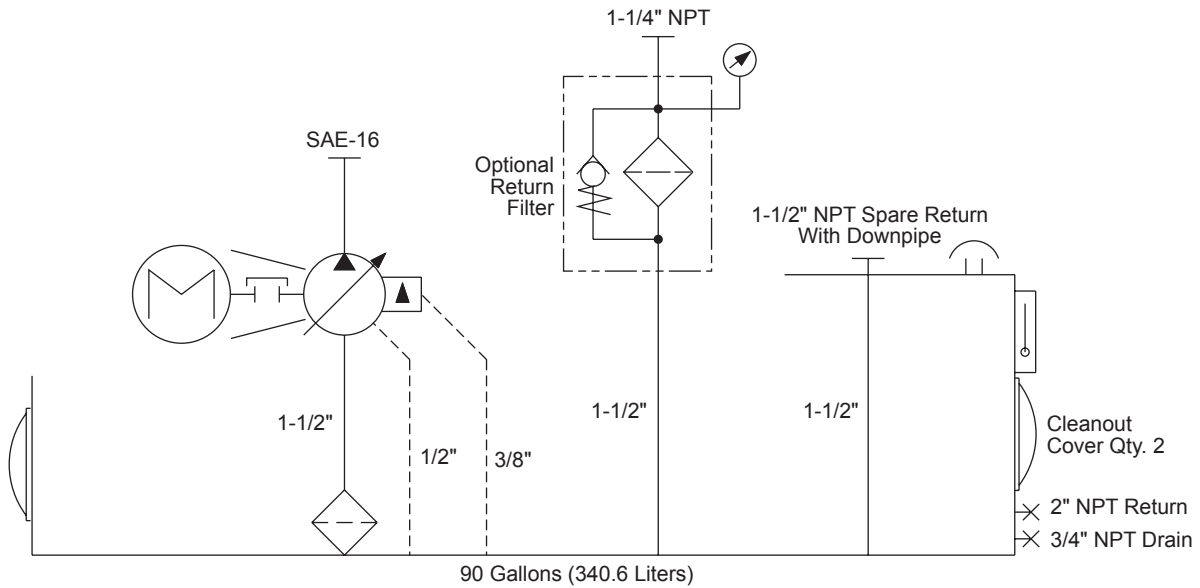
| Motor Frame | A | B | C |
|-------------|---------------|--------------|---------------|
| 182TC | 24.50 (622.3) | 5.75 (146.0) | 36.25 (920.7) |
| 184TC | 25.50 (647.7) | 5.75 (146.0) | 36.25 (920.7) |
| 213TC | 28.02 (711.7) | 6.50 (165.1) | 37.00 (939.8) |
| 215TC | 29.50 (749.3) | 6.50 (165.1) | 37.00 (939.8) |
| 254TC | 33.85 (859.8) | 7.00 (177.8) | 37.50 (952.5) |
| 256TC | 33.55 (852.2) | 7.00 (177.8) | 37.50 (952.5) |
| 284TC | 37.35 (948.7) | 7.75 (196.8) | 38.25 (971.5) |
| 286TC | 38.85 (986.8) | 7.75 (196.8) | 38.25 (971.5) |



NFPA/JIC Style Power Units

90 GALLON CAPACITY

Schematic and Specifications - With PVX11/15 Vane Pump



| GENERAL SPECIFICATIONS | R90 |
|--|---|
| Reservoir Capacity | 90 Gal. (340.6 liters) |
| Surface Area For Heat Transfer | 26.00 sq. ft. (2.42 m ²) |
| Heat Dissipation | Sq. Ft. of Vertical Steel x ΔT / 1000 |
| Basic Weight (Less Oil, Pump, and Motor) | 589 lbs. (267.2 kg) |
| Usable Gallons | 29.14 Gal. (110.3 liters) |
| Gallons Per Inch Rise | 6.64 Gal. (25.1 liters) |
| Capacity, Full to Top Plate | 99.00 Gal. (374.7 liters) |
| Capacity, High on Sight Gauge | 86.43 Gal. (327.1 liters) |
| Capacity, Low on Sight Gauge | 65.13 Gal. (246.5 liters) |
| Pump Data* | |
| Flow Range | Up to 15 gpm (56.8 lpm) |
| Pressure Range | Up to 3000 psi (207 bar) |
| Power Range | Up to 30 HP (22.4 kW) |

* See Continental Hydraulics Vane Pump or Piston Pump Catalogs for complete codes and specifications.

NFPA/JIC Style Power Units

90 GALLON CAPACITY

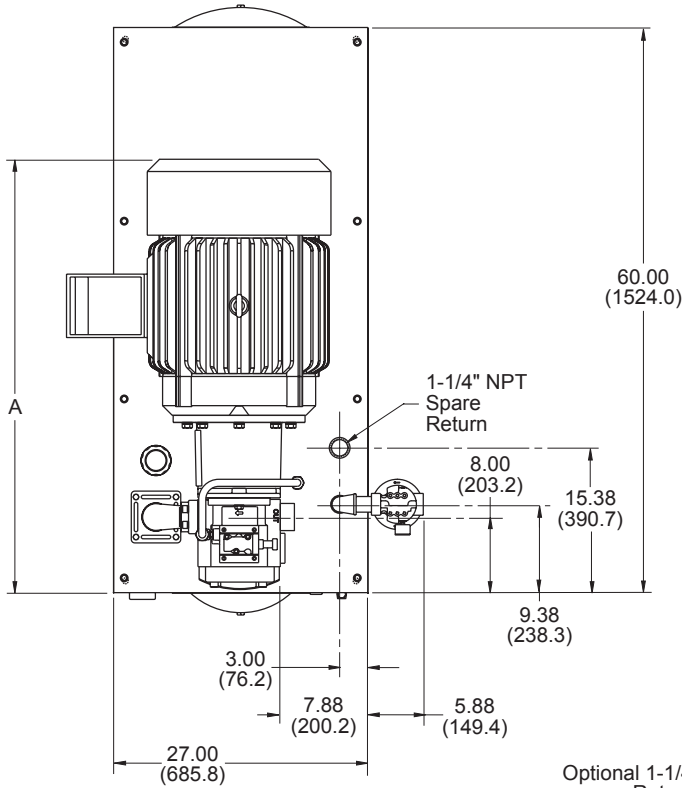
Dimension Drawing - With PVX20/29/36 Vane Pump

CONTINENTAL



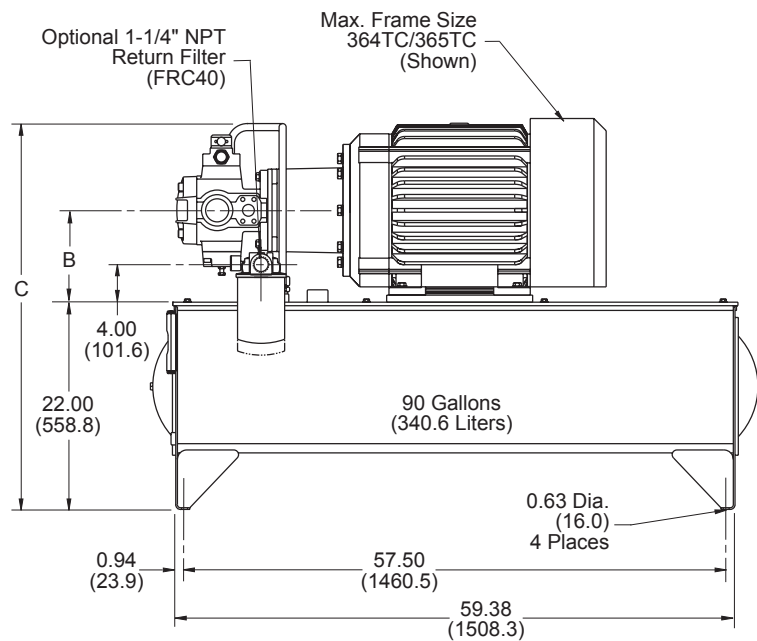
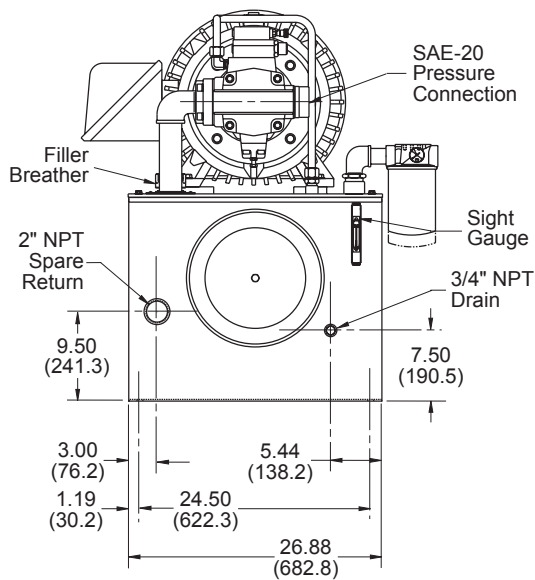
HYDRAULICS

Dimensions shown in: Inches (± .125)
 (millimeters (± 1 mm))



Dimensions

| Motor Frame | A | B | C |
|-------------|----------------|--------------|----------------|
| 213TC | 30.50 (774.7) | 6.50 (165.1) | 38.75 (984.2) |
| 215TC | 32.00 (812.8) | 6.50 (165.1) | 38.75 (984.2) |
| 254TC | 36.32 (922.5) | 7.00 (177.8) | 39.25 (996.9) |
| 256TC | 38.00 (965.2) | 7.00 (177.8) | 39.25 (996.9) |
| 284TC | 39.82 (1011.4) | 7.75 (196.8) | 40.00 (1016.0) |
| 286TC | 41.32 (1049.5) | 7.75 (196.8) | 40.00 (1016.0) |
| 324TC | 42.86 (1088.6) | 8.75 (222.2) | 41.00 (1041.4) |
| 326TC | 42.86 (1088.6) | 8.75 (222.2) | 41.00 (1041.4) |
| 364TC | 46.36 (1177.5) | 9.75 (247.6) | 42.00 (1066.8) |
| 365TC | 46.36 (1177.5) | 9.75 (247.6) | 42.00 (1066.8) |

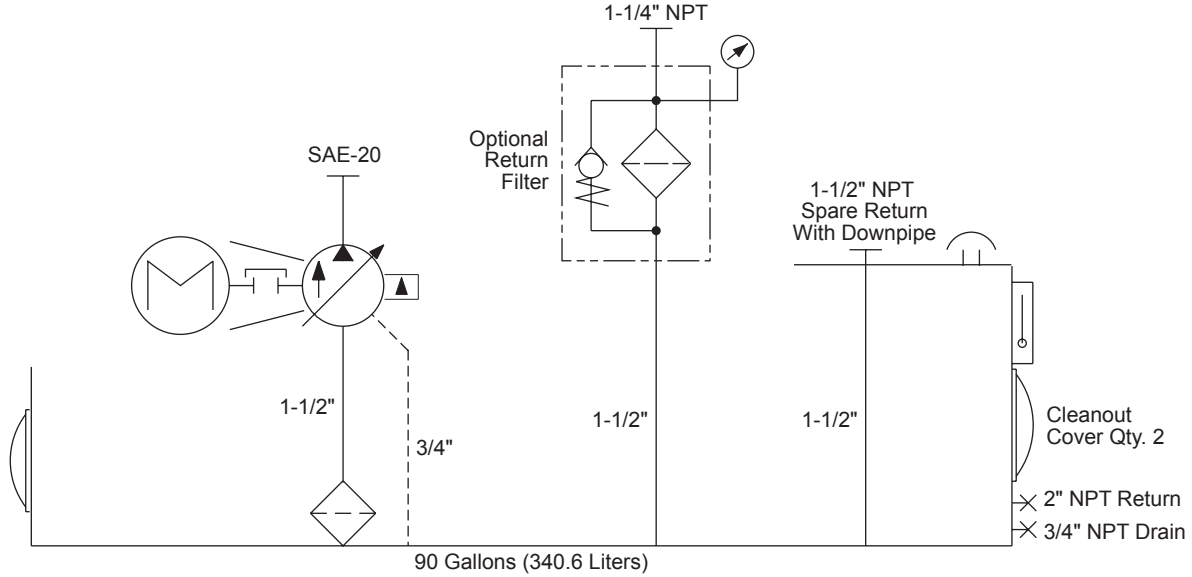




NFPA/JIC Style Power Units

90 GALLON CAPACITY

Schematic and Specifications - With PVX20/29/36 Vane Pump



| GENERAL SPECIFICATIONS | R90 |
|--|---------------------------------------|
| Reservoir Capacity | 90 Gal. (340.6 liters) |
| Surface Area For Heat Transfer | 26.00 sq. ft. (2.42 m ²) |
| Heat Dissipation | Sq. Ft. of Vertical Steel x ΔT / 1000 |
| Basic Weight (Less Oil, Pump, and Motor) | 594 lbs. (269.4 kg) |
| Usable Gallons | 25.75 Gal. (97.5 liters) |
| Gallons Per Inch Rise | 6.64 Gal. (25.1 liters) |
| Capacity, Full to Top Plate | 99.00 Gal. (374.7 liters) |
| Capacity, High on Sight Gauge | 86.43 Gal. (327.1 liters) |
| Capacity, Low on Sight Gauge | 65.13 Gal. (246.5 liters) |
| Pump Data* | |
| Flow Range | Up to 36 gpm (136.3 lpm) |
| Pressure Range | Up to 3000 psi (207 bar) |
| Power Range | Up to 75 HP (55.9 kW) |

* See Continental Hydraulics Vane Pump or Piston Pump Catalogs for complete codes and specifications.

NFPA/JIC Style Power Units

90 GALLON CAPACITY

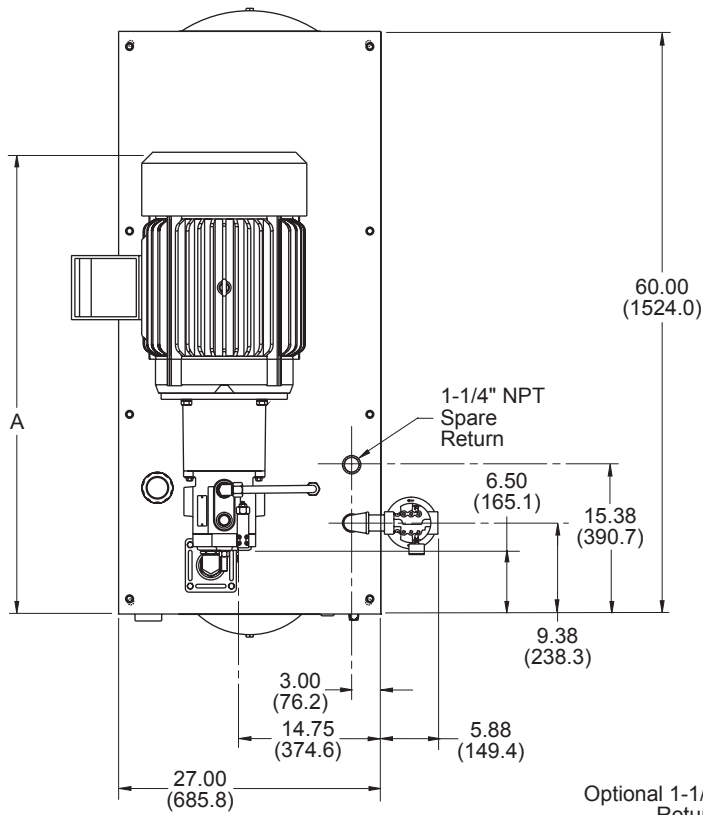
Dimension Drawing - With HPV20 Piston Pump

CONTINENTAL



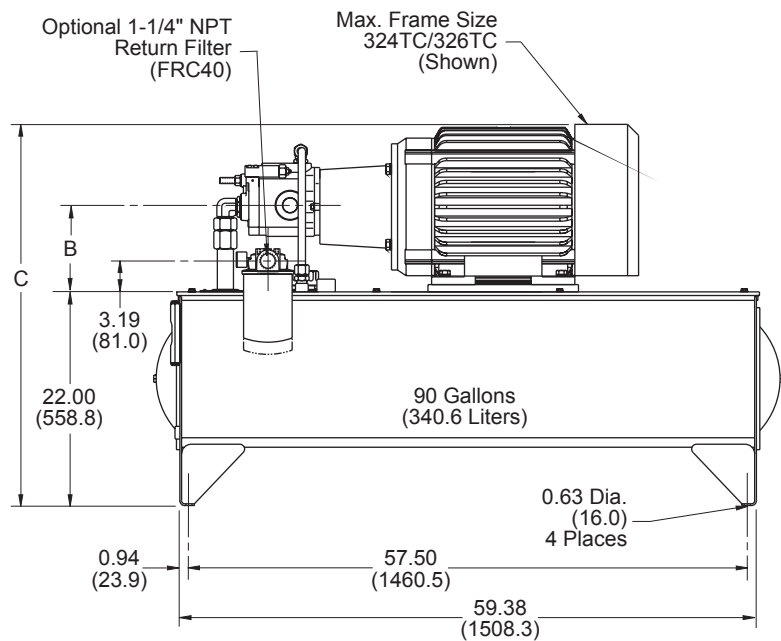
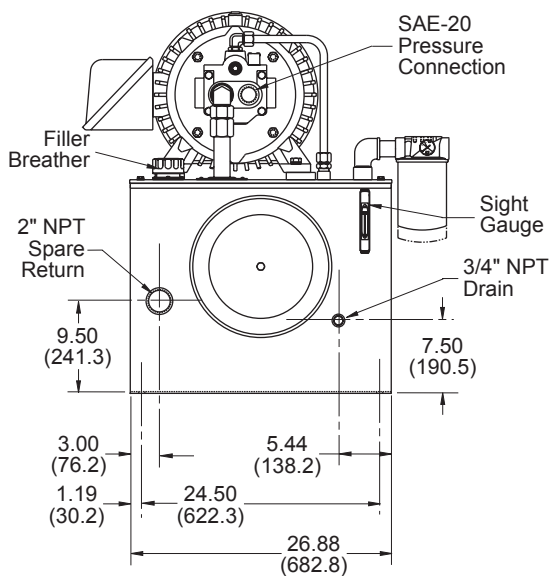
HYDRAULICS

Dimensions shown in: Inches (± .125)
 (millimeters (± 1 mm))



Dimensions

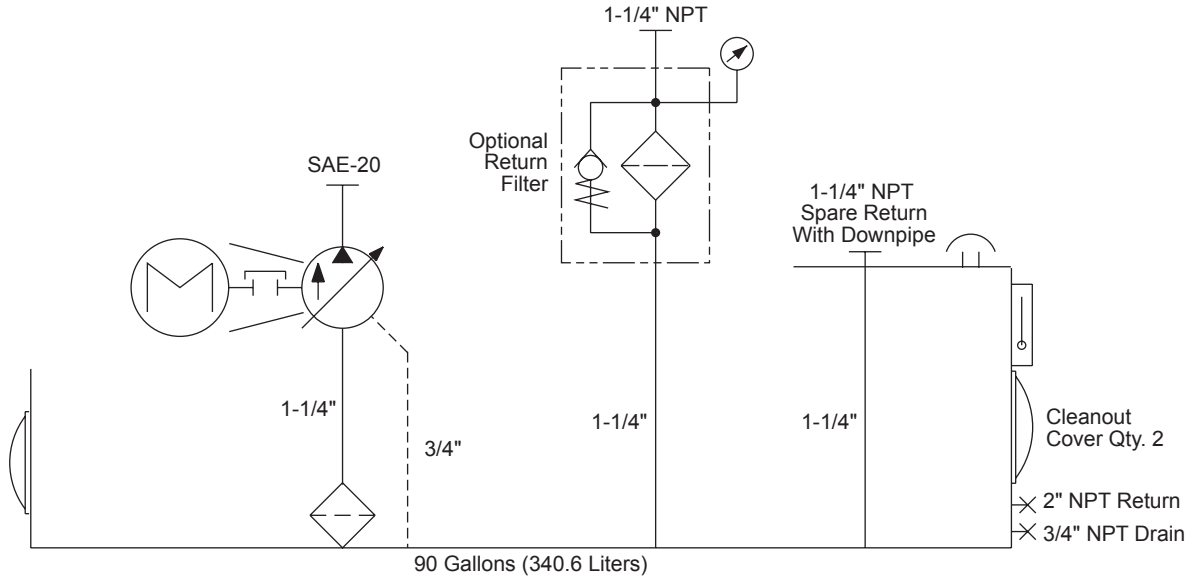
| Motor Frame | A | B | C |
|-------------|----------------|--------------|---------------|
| 254TC | 41.59 (1056.4) | 7.00 (177.8) | 35.63 (905.0) |
| 256TC | 43.29 (1099.6) | 7.00 (177.8) | 35.63 (905.0) |
| 284TC | 45.09 (1145.3) | 7.75 (196.8) | 37.13 (943.1) |
| 286TC | 46.59 (1183.4) | 7.75 (196.8) | 37.13 (943.1) |
| 324TC | 48.13 (1222.5) | 8.75 (222.2) | 39.10 (993.1) |
| 326TC | 48.13 (1222.5) | 8.75 (222.2) | 39.10 (993.1) |



NFPA/JIC Style Power Units

90 GALLON CAPACITY

Schematic and Specifications - With HPV20 Piston Pump



| GENERAL SPECIFICATIONS | R90 |
|--|---|
| Reservoir Capacity | 90 Gal. (340.6 liters) |
| Surface Area For Heat Transfer | 26.00 sq. ft. (2.42 m ²) |
| Heat Dissipation | Sq. Ft. of Vertical Steel x ΔT / 1000 |
| Basic Weight (Less Oil, Pump, and Motor) | 596 lbs. (270.3 kg) |
| Usable Gallons | 25.75 Gal. (97.5 liters) |
| Gallons Per Inch Rise | 6.64 Gal. (25.1 liters) |
| Capacity, Full to Top Plate | 99.00 Gal. (374.7 liters) |
| Capacity, High on Sight Gauge | 86.43 Gal. (327.1 liters) |
| Capacity, Low on Sight Gauge | 65.13 Gal. (246.5 liters) |
| Pump Data* | |
| Flow Range | Up to 20 gpm (75.7 lpm) |
| Pressure Range | Up to 3500 psi (241 bar) |
| Power Range | Up to 50 HP (37.3 kW) |

* See Continental Hydraulics Vane Pump or Piston Pump Catalogs for complete codes and specifications.

NFPA/JIC Style Power Units

90 GALLON CAPACITY

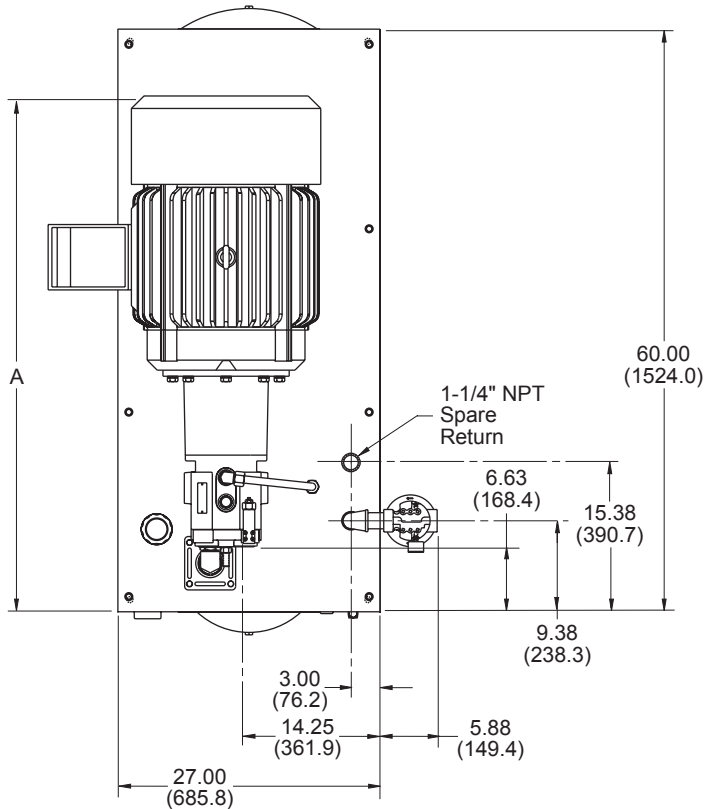
Dimension Drawing - With HPV29 Piston Pump

CONTINENTAL



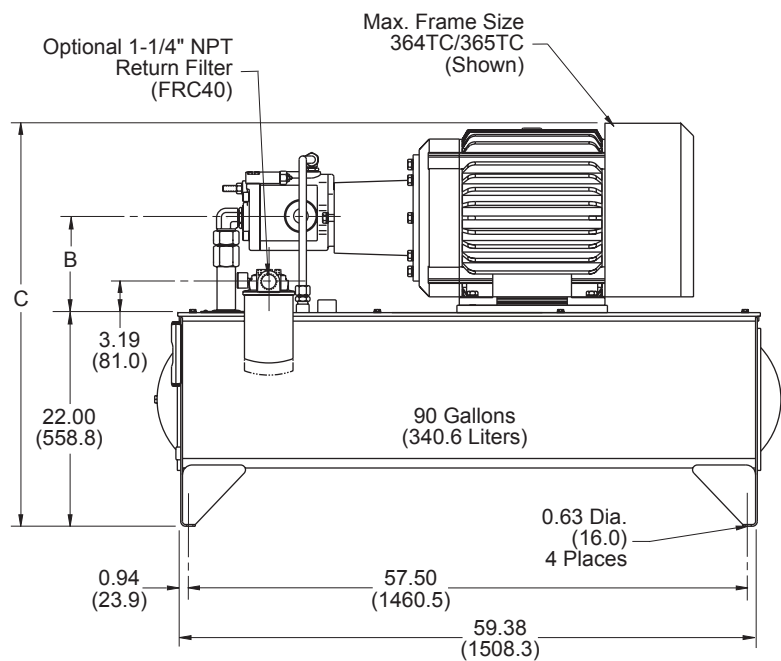
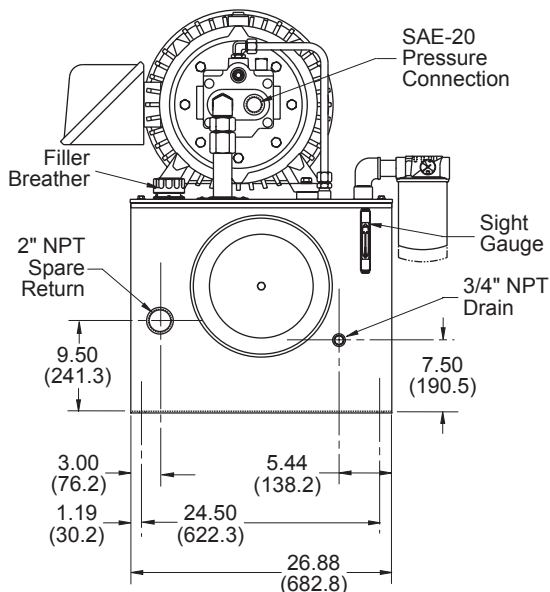
HYDRAULICS

Dimensions shown in: Inches (± .125)
 (millimeters (± 1 mm))



Dimensions

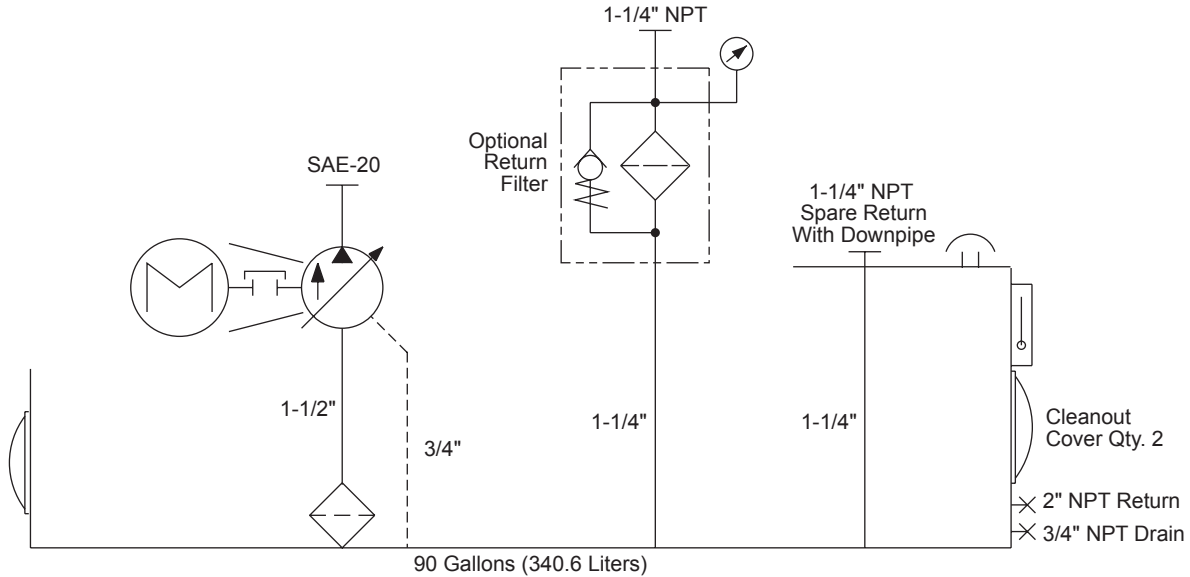
| Motor Frame | A | B | C |
|-------------|----------------|--------------|----------------|
| 254TC | 42.35 (1075.7) | 7.00 (177.8) | 35.63 (905.0) |
| 256TC | 44.05 (1144.3) | 7.00 (177.8) | 35.63 (905.0) |
| 284TC | 45.85 (1164.6) | 7.75 (196.8) | 37.13 (943.1) |
| 286TC | 47.35 (1202.7) | 7.75 (196.8) | 37.13 (943.1) |
| 324TC | 48.89 (1241.8) | 8.75 (222.2) | 39.10 (993.1) |
| 326TC | 48.89 (1241.8) | 8.75 (222.2) | 39.10 (993.1) |
| 364TC | 53.01 (1346.5) | 9.75 (247.6) | 41.00 (1041.4) |
| 365TC | 53.01 (1346.5) | 9.75 (247.6) | 41.00 (1041.4) |



NFPA/JIC Style Power Units

90 GALLON CAPACITY

Schematic and Specifications - With HPV29 Piston Pump



| GENERAL SPECIFICATIONS | R90 |
|--|---|
| Reservoir Capacity | 90 Gal. (340.6 liters) |
| Surface Area For Heat Transfer | 26.00 sq. ft. (2.42 m ²) |
| Heat Dissipation | Sq. Ft. of Vertical Steel x ΔT / 1000 |
| Basic Weight (Less Oil, Pump, and Motor) | 596 lbs. (270.3 kg) |
| Usable Gallons | 25.75 Gal. (97.5 liters) |
| Gallons Per Inch Rise | 6.64 Gal. (25.1 liters) |
| Capacity, Full to Top Plate | 99.00 Gal. (374.7 liters) |
| Capacity, High on Sight Gauge | 86.43 Gal. (327.1 liters) |
| Capacity, Low on Sight Gauge | 65.13 Gal. (246.5 liters) |
| Pump Data* | |
| Flow Range | Up to 29 gpm (109.8 lpm) |
| Pressure Range | Up to 3000 psi (207 bar) |
| Power Range | Up to 75 HP (55.9 kW) |

* See Continental Hydraulics Vane Pump or Piston Pump Catalogs for complete codes and specifications.

NFPA/JIC Style Power Units

130/160 GALLON CAPACITY

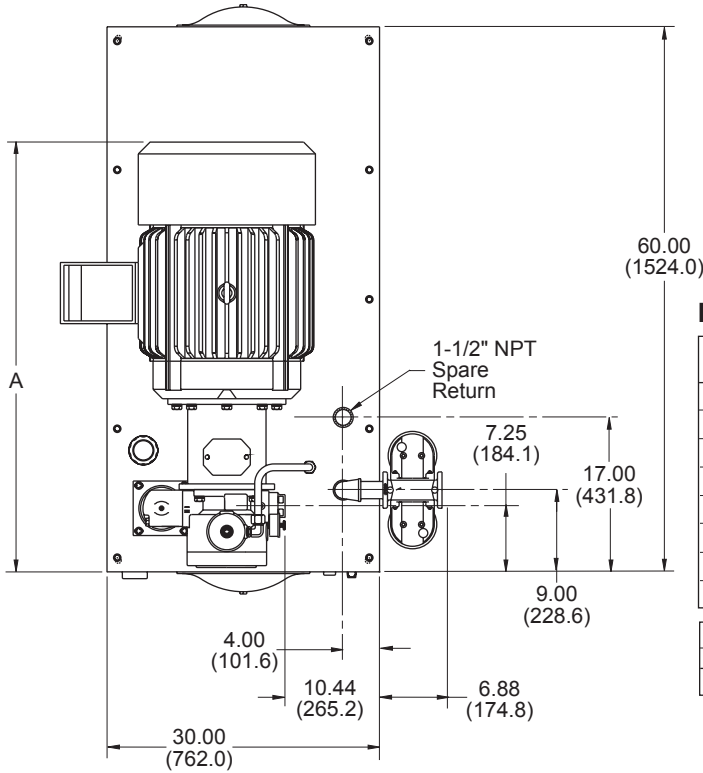
Dimension Drawing - With PVR50 Vane Pump

CONTINENTAL



HYDRAULICS

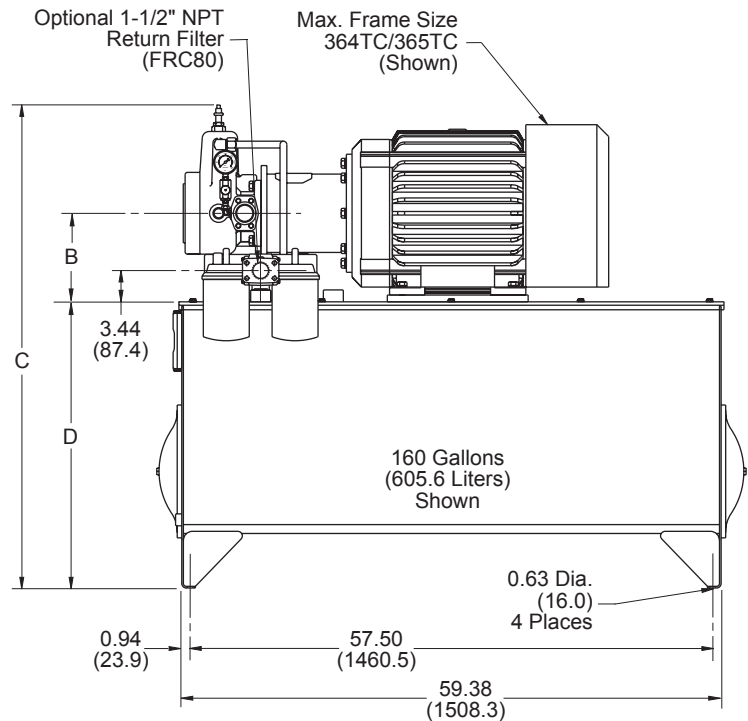
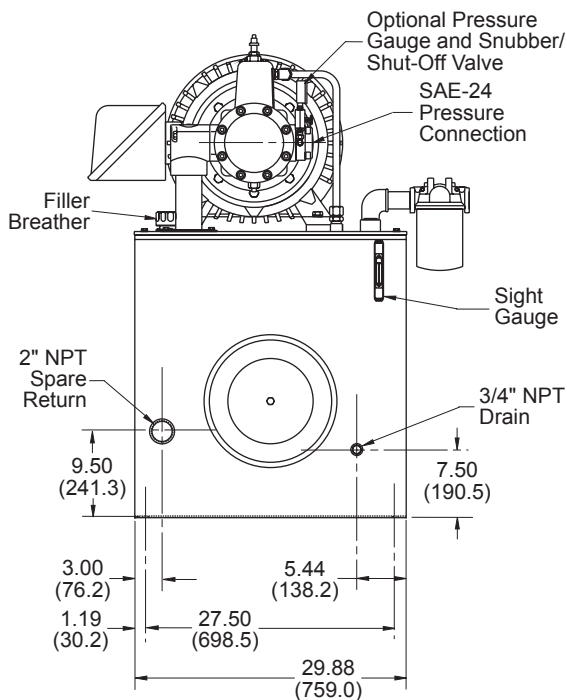
Dimensions shown in: Inches (± .125)
 (millimeters (± 1 mm))



Dimensions

| Motor Frame | A | B | C | |
|-------------|----------------|--------------|----------------|----------------|
| | | | R130 | R160 |
| 254TC | 36.21 (908.9) | 7.00 (177.8) | 45.41 (1153.4) | 50.41 (1280.4) |
| 256TC | 37.91 (962.9) | 7.00 (177.8) | 45.41 (1153.4) | 50.41 (1280.4) |
| 284TC | 39.84 (1011.9) | 7.75 (196.8) | 46.16 (1172.5) | 51.16 (1299.5) |
| 286TC | 41.34 (1050.0) | 7.75 (196.8) | 46.16 (1172.5) | 51.16 (1299.5) |
| 324TC | 43.25 (1098.5) | 8.75 (222.2) | 47.16 (1197.9) | 52.16 (1324.9) |
| 326TC | 43.25 (1098.5) | 8.75 (222.2) | 47.16 (1197.9) | 52.16 (1324.9) |
| 364TC | 46.88 (1190.8) | 9.75 (247.6) | 48.16 (1223.3) | 53.16 (1350.3) |
| 365TC | 46.88 (1190.8) | 9.75 (247.6) | 48.16 (1223.3) | 53.16 (1350.3) |

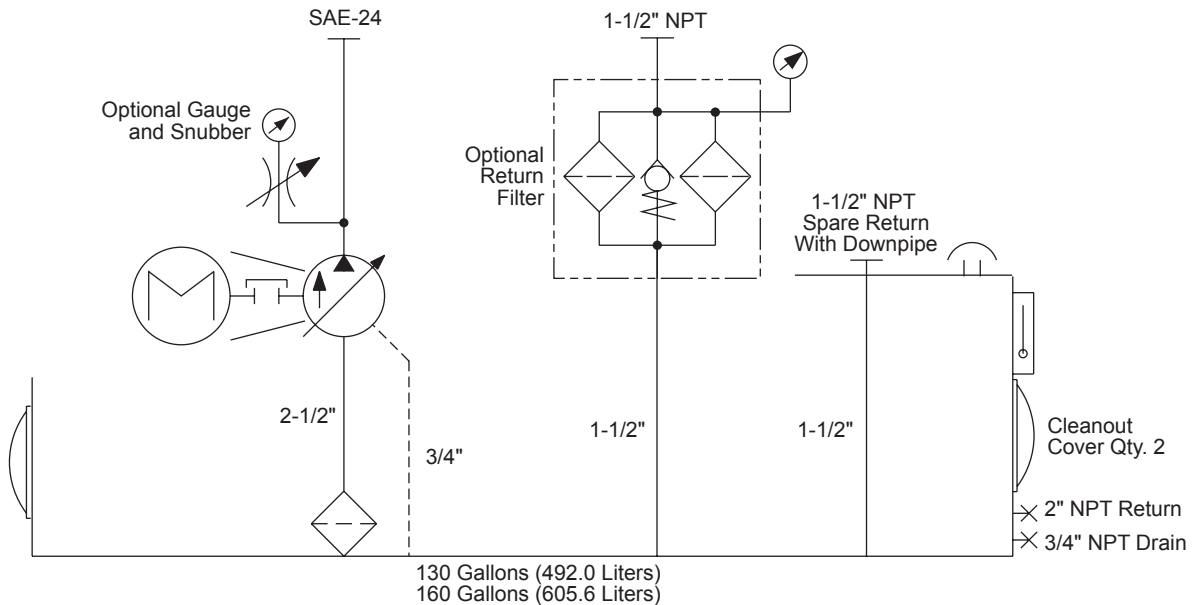
| D | |
|---------------|---------------|
| R130 | R160 |
| 26.50 (673.1) | 31.50 (800.1) |



NFPA/JIC Style Power Units

130/160 GALLON CAPACITY

Schematic and Specifications - With PVR50 Vane Pump



| GENERAL SPECIFICATIONS | R130 | R160 |
|--|---------------------------------------|--------------------------------------|
| Reservoir Capacity | 130 Gal. (492.0 liters) | 160 Gal. (605.6 liters) |
| Surface Area For Heat Transfer | 32.66 sq. ft. (3.03 m ²) | 38.77 sq. ft. (3.60 m ²) |
| Heat Dissipation | Sq. Ft. of Vertical Steel x ΔT / 1000 | |
| Basic Weight (Less Oil, Pump, and Motor) | 756 lbs. (342.9 kg) | 814 lbs. (369.2 kg) |
| Usable Gallons | 50.50 Gal. (191.1 liters) | 87.50 Gal. (331.2 liters) |
| Gallons Per Inch Rise | 7.41 Gal. (28.0 liters) | 7.41 Gal. (28.0 liters) |
| Capacity, Full to Top Plate | 143.33 Gal. (542.5 liters) | 180.37 Gal. (682.7 liters) |
| Capacity, High on Sight Gauge | 127.25 Gal. (481.6 liters) | 164.25 Gal. (621.7 liters) |
| Capacity, Low on Sight Gauge | 103.25 Gal. (390.8 liters) | 140.50 Gal. (531.8 liters) |
| Pump Data* | | |
| Flow Range | Up to 70 gpm (264.9 lpm) | Up to 70 gpm (264.9 lpm) |
| Pressure Range | Up to 2000 psi (138 bar) | Up to 2000 psi (138 bar) |
| Power Range | Up to 75 HP (55.9 kW) | Up to 75 HP (55.9 kW) |

* See Continental Hydraulics Vane Pump or Piston Pump Catalogs for complete codes and specifications.

NFPA/JIC Style Power Units

130/160 GALLON CAPACITY

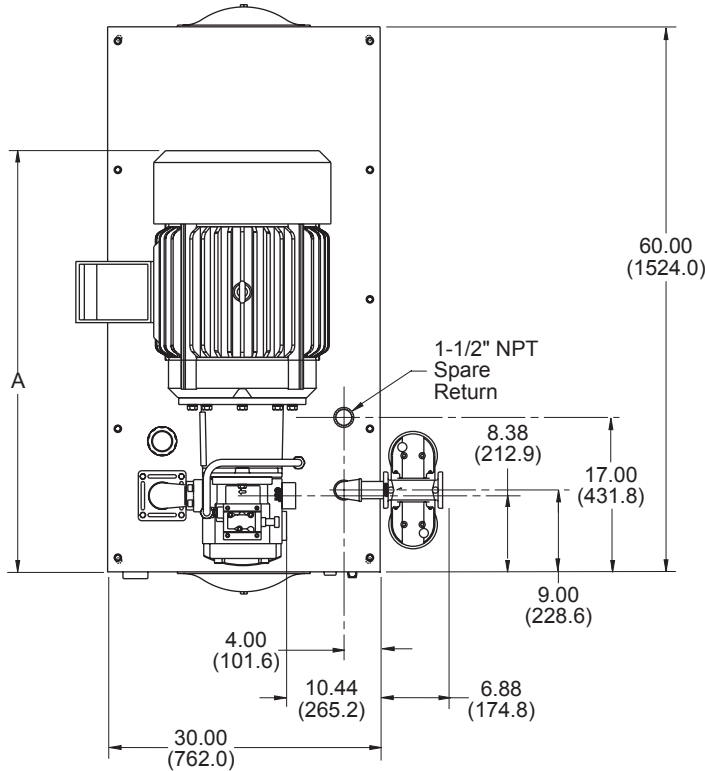
Dimension Drawing - With PVX20/29/36 Vane Pump

CONTINENTAL



HYDRAULICS

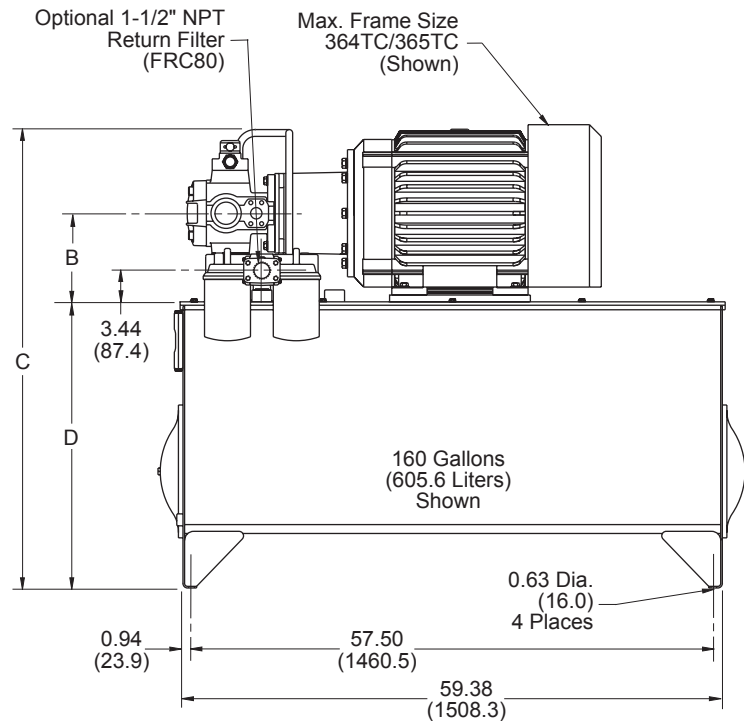
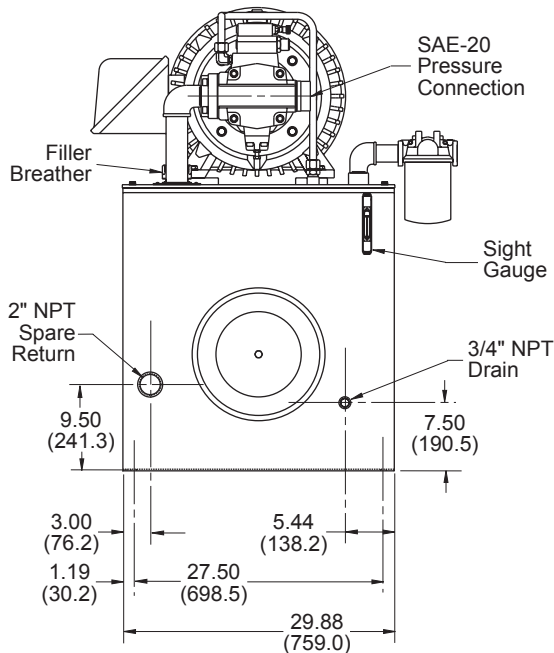
Dimensions shown in: Inches (± .125)
 (millimeters (± 1 mm))



Dimensions

| Motor Frame | A | B | C | |
|-------------|----------------|--------------|----------------|----------------|
| | | | R130 | R160 |
| 254TC | 36.70 (932.2) | 7.00 (177.8) | 43.75 (1111.2) | 48.75 (1238.2) |
| 256TC | 38.40 (975.4) | 7.00 (177.8) | 43.75 (1111.2) | 48.75 (1238.2) |
| 284TC | 40.20 (1021.1) | 7.75 (196.8) | 44.50 (1130.3) | 49.50 (1257.3) |
| 286TC | 41.70 (1059.2) | 7.75 (196.8) | 44.50 (1130.3) | 49.50 (1257.3) |
| 324TC | 43.25 (1098.5) | 8.75 (222.2) | 45.50 (1155.7) | 50.50 (1282.7) |
| 326TC | 43.25 (1098.5) | 8.75 (222.2) | 45.50 (1155.7) | 50.50 (1282.7) |
| 364TC | 46.75 (1187.4) | 9.75 (247.6) | 46.50 (1181.1) | 51.50 (1308.1) |
| 365TC | 46.75 (1187.4) | 9.75 (247.6) | 46.50 (1181.1) | 51.50 (1308.1) |

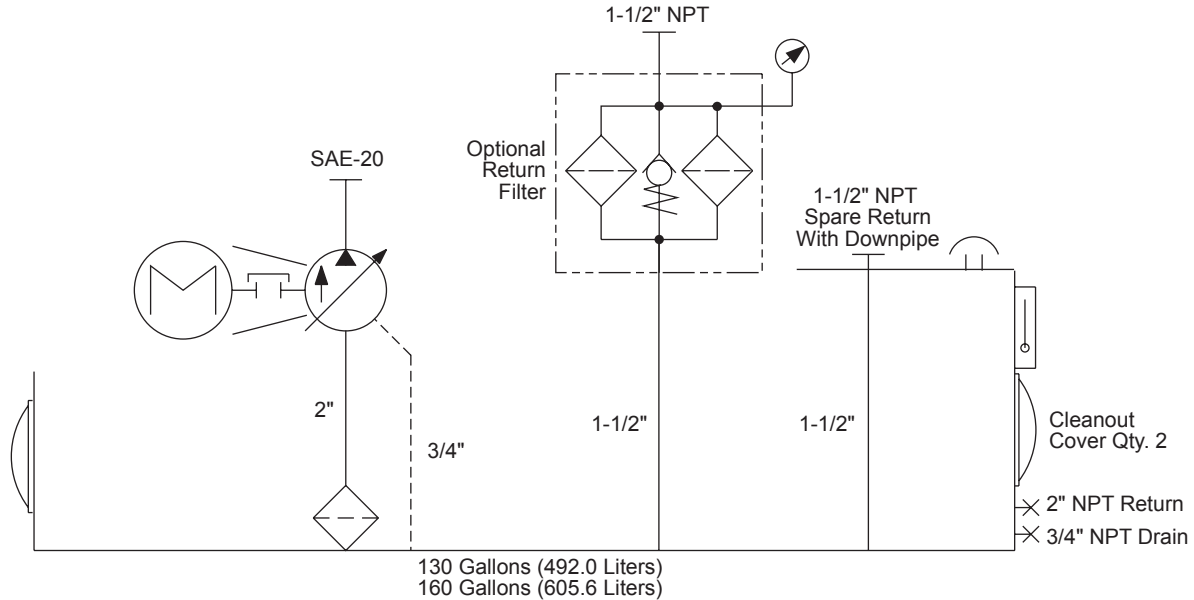
| D | |
|---------------|---------------|
| R130 | R160 |
| 26.50 (673.1) | 31.50 (800.1) |



NFPA/JIC Style Power Units

130/160 GALLON CAPACITY

Schematic and Specifications - With PVX20/29/36 Vane Pump



| GENERAL SPECIFICATIONS | R130 | R160 |
|--|---------------------------------------|--------------------------------------|
| Reservoir Capacity | 130 Gal. (492.0 liters) | 160 Gal. (605.6 liters) |
| Surface Area For Heat Transfer | 32.66 sq. ft. (3.03 m ²) | 38.77 sq. ft. (3.60 m ²) |
| Heat Dissipation | Sq. Ft. of Vertical Steel x ΔT / 1000 | |
| Basic Weight (Less Oil, Pump, and Motor) | 754 lbs. (342.0 kg) | 811 lbs. (367.9 kg) |
| Usable Gallons | 62.50 Gal. (236.6 liters) | 99.50 Gal. (376.6 liters) |
| Gallons Per Inch Rise | 7.41 Gal. (28.0 liters) | 7.41 Gal. (28.0 liters) |
| Capacity, Full to Top Plate | 143.33 Gal. (542.5 liters) | 180.37 Gal. (682.7 liters) |
| Capacity, High on Sight Gauge | 127.25 Gal. (481.6 liters) | 164.25 Gal. (621.7 liters) |
| Capacity, Low on Sight Gauge | 103.25 Gal. (390.8 liters) | 140.50 Gal. (531.8 liters) |
| Pump Data* | | |
| Flow Range | Up to 36 gpm (136.3 lpm) | Up to 36 gpm (136.3 lpm) |
| Pressure Range | Up to 3000 psi (207 bar) | Up to 3000 psi (207 bar) |
| Power Range | Up to 75 HP (55.9 kW) | Up to 75 HP (55.9 kW) |

* See Continental Hydraulics Vane Pump or Piston Pump Catalogs for complete codes and specifications.

NFPA/JIC Style Power Units

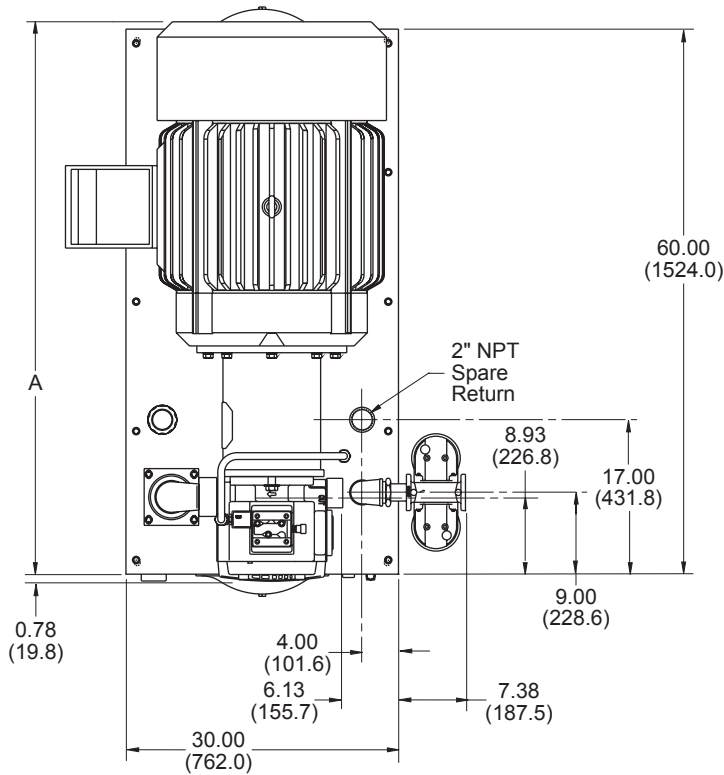
130/160 GALLON CAPACITY

Dimension Drawing - With PVX46/60/75 Vane Pump

CONTINENTAL



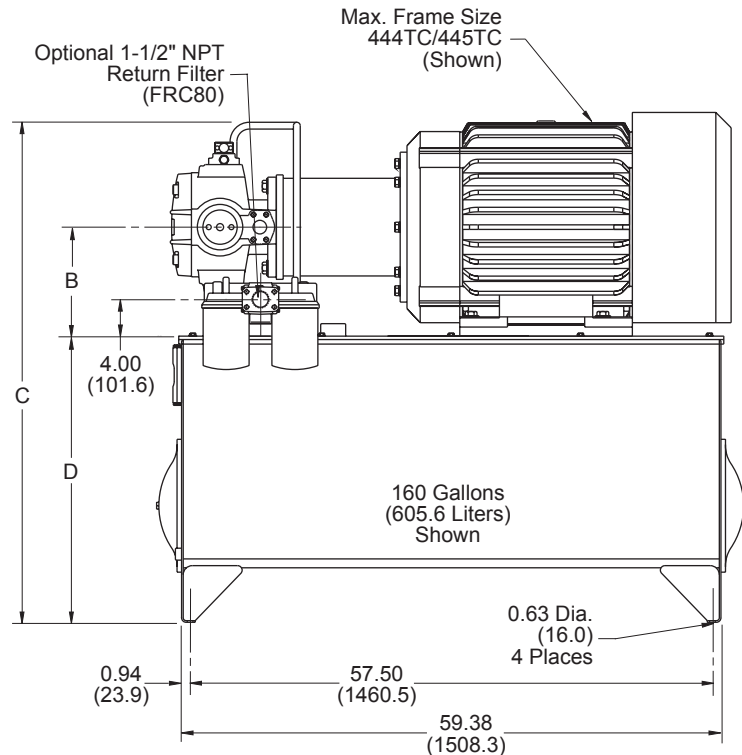
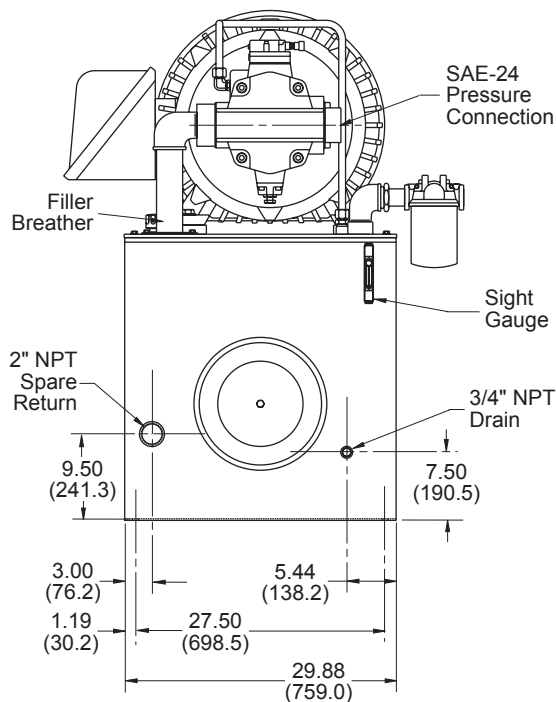
HYDRAULICS



Dimensions

| Motor Frame | A | B | C | |
|-------------|----------------|---------------|----------------|----------------|
| | | | R130 | R160 |
| 324TC | 44.94 (1141.5) | 8.75 (222.2) | 45.75 (1162.0) | 50.75 (1289.0) |
| 326TC | 44.94 (1141.5) | 8.75 (222.2) | 45.75 (1162.0) | 50.75 (1289.0) |
| 364TC | 47.95 (1217.9) | 9.75 (247.6) | 46.75 (1187.4) | 51.75 (1314.4) |
| 365TC | 47.95 (1217.9) | 9.75 (247.6) | 46.75 (1187.4) | 51.75 (1314.4) |
| 404TC | 54.31 (1379.5) | 11.00 (279.4) | 48.00 (1219.2) | 53.00 (1346.2) |
| 405TC | 54.31 (1379.5) | 11.00 (279.4) | 48.00 (1219.2) | 53.00 (1346.2) |
| 444TC | 61.25 (1555.7) | 12.00 (304.8) | 49.00 (1244.6) | 54.00 (1371.6) |

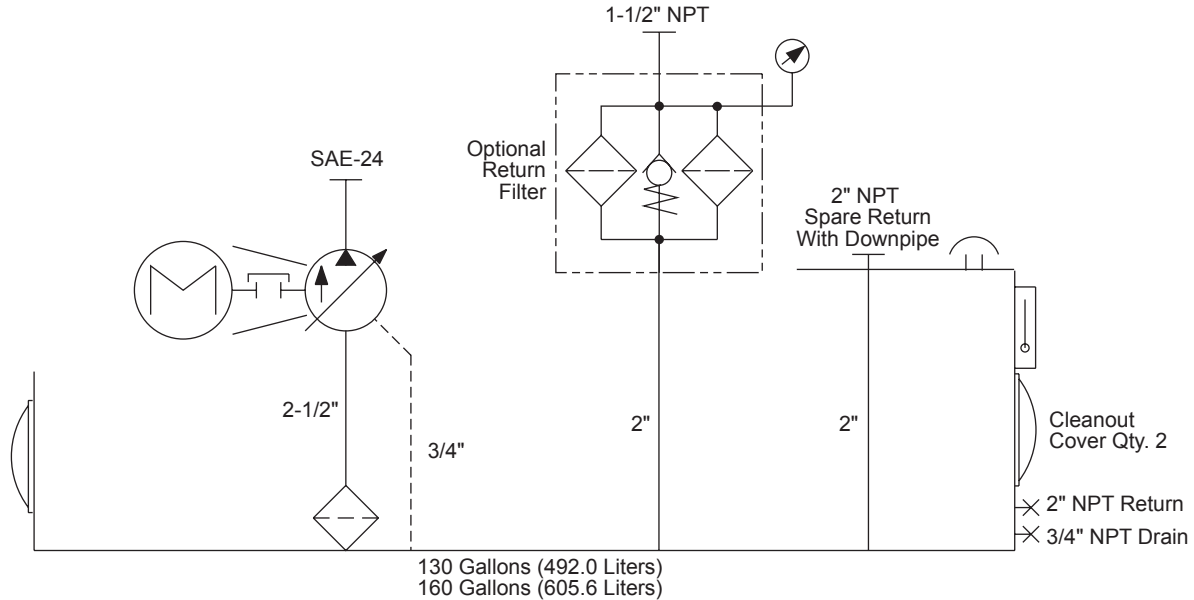
| D | |
|---------------|---------------|
| R130 | R160 |
| 26.50 (673.1) | 31.50 (800.1) |



NFPA/JIC Style Power Units

130/160 GALLON CAPACITY

Schematic and Specifications - With PVX46/60/75 Vane Pump



| GENERAL SPECIFICATIONS | R130 | R160 |
|--|---------------------------------------|--------------------------------------|
| Reservoir Capacity | 130 Gal. (492.0 liters) | 160 Gal. (605.6 liters) |
| Surface Area For Heat Transfer | 32.66 sq. ft. (3.03 m ²) | 38.77 sq. ft. (3.60 m ²) |
| Heat Dissipation | Sq. Ft. of Vertical Steel x ΔT / 1000 | |
| Basic Weight (Less Oil, Pump, and Motor) | 759 lbs. (344.3 kg) | 816 lbs. (370.1 kg) |
| Usable Gallons | 50.50 Gal. (191.1 liters) | 87.50 Gal. (331.2 liters) |
| Gallons Per Inch Rise | 7.41 Gal. (28.0 liters) | 7.41 Gal. (28.0 liters) |
| Capacity, Full to Top Plate | 143.33 Gal. (542.5 liters) | 180.37 Gal. (682.7 liters) |
| Capacity, High on Sight Gauge | 127.25 Gal. (481.6 liters) | 164.25 Gal. (621.7 liters) |
| Capacity, Low on Sight Gauge | 103.25 Gal. (390.8 liters) | 140.50 Gal. (531.8 liters) |
| Pump Data* | | |
| Flow Range | Up to 75 gpm (283.9 lpm) | Up to 75 gpm (283.9 lpm) |
| Pressure Range | Up to 2500 psi (172 bar) | Up to 2500 psi (172 bar) |
| Power Range | Up to 125 HP (93.2 kW) | Up to 125 HP (93.2 kW) |

* See Continental Hydraulics Vane Pump or Piston Pump Catalogs for complete codes and specifications.

NFPA/JIC Style Power Units

130/160 GALLON CAPACITY

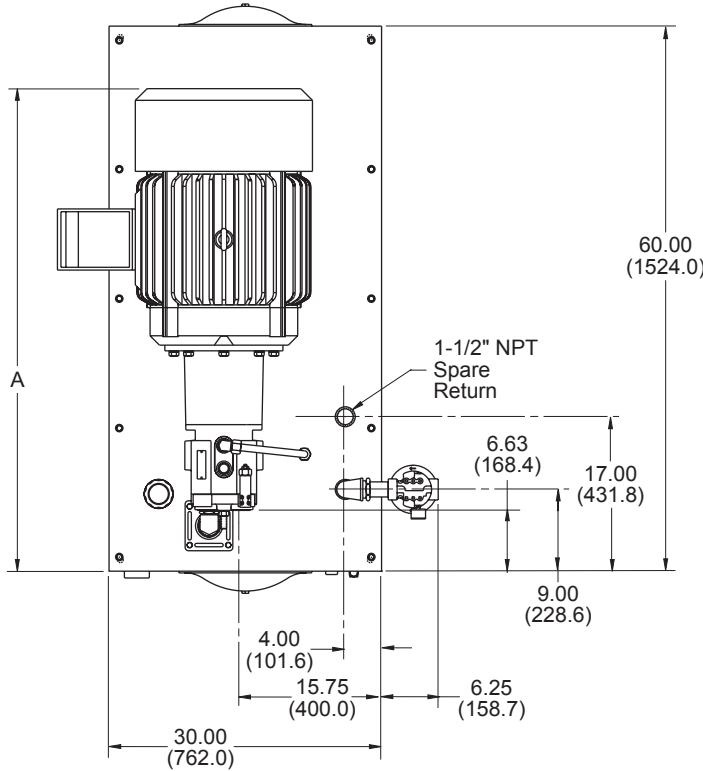
Dimension Drawing - With HPV29 Piston Pump

CONTINENTAL



HYDRAULICS

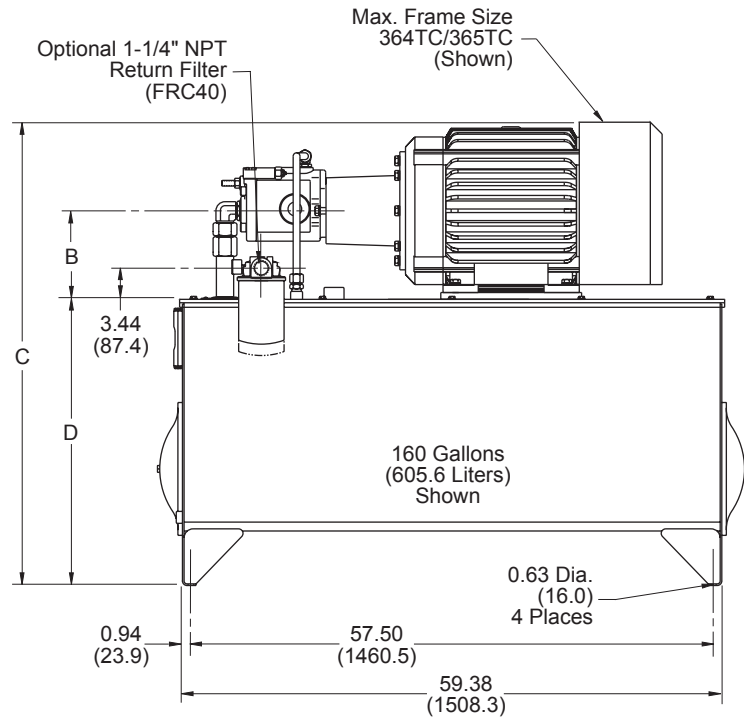
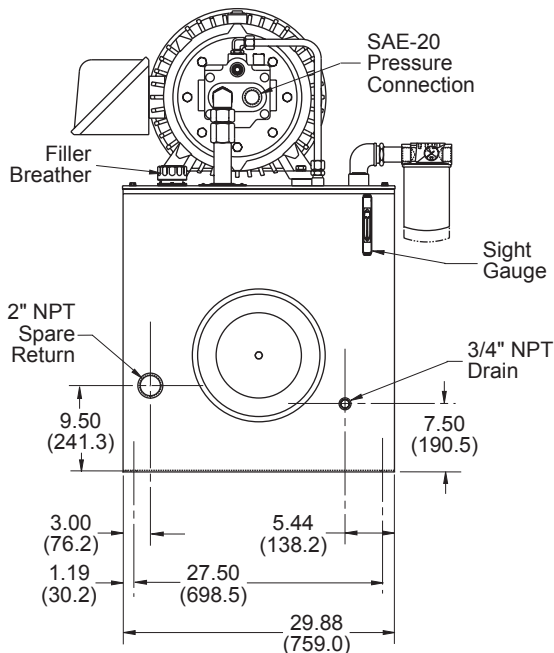
Dimensions shown in: Inches (± .125)
millimeters (± 1 mm)



Dimensions

| Motor Frame | A | B | C | |
|-------------|----------------|--------------|----------------|----------------|
| | | | R130 | R160 |
| 254TC | 42.35 (1075.7) | 7.00 (177.8) | 40.13 (1019.3) | 45.13 (1146.3) |
| 256TC | 44.05 (1118.9) | 7.00 (177.8) | 40.13 (1019.3) | 45.13 (1146.3) |
| 284TC | 45.85 (1164.6) | 7.75 (196.8) | 41.63 (1057.4) | 46.63 (1184.4) |
| 286TC | 47.35 (1202.7) | 7.75 (196.8) | 41.63 (1057.4) | 46.63 (1184.4) |
| 324TC | 48.89 (1241.8) | 8.75 (222.2) | 43.60 (1107.4) | 48.60 (1234.4) |
| 326TC | 48.89 (1241.8) | 8.75 (222.2) | 43.60 (1107.4) | 48.60 (1234.4) |
| 364TC | 53.01 (1346.4) | 9.75 (247.6) | 45.50 (1155.7) | 50.50 (1282.7) |
| 365TC | 53.01 (1346.4) | 9.75 (247.6) | 45.50 (1155.7) | 50.50 (1282.7) |

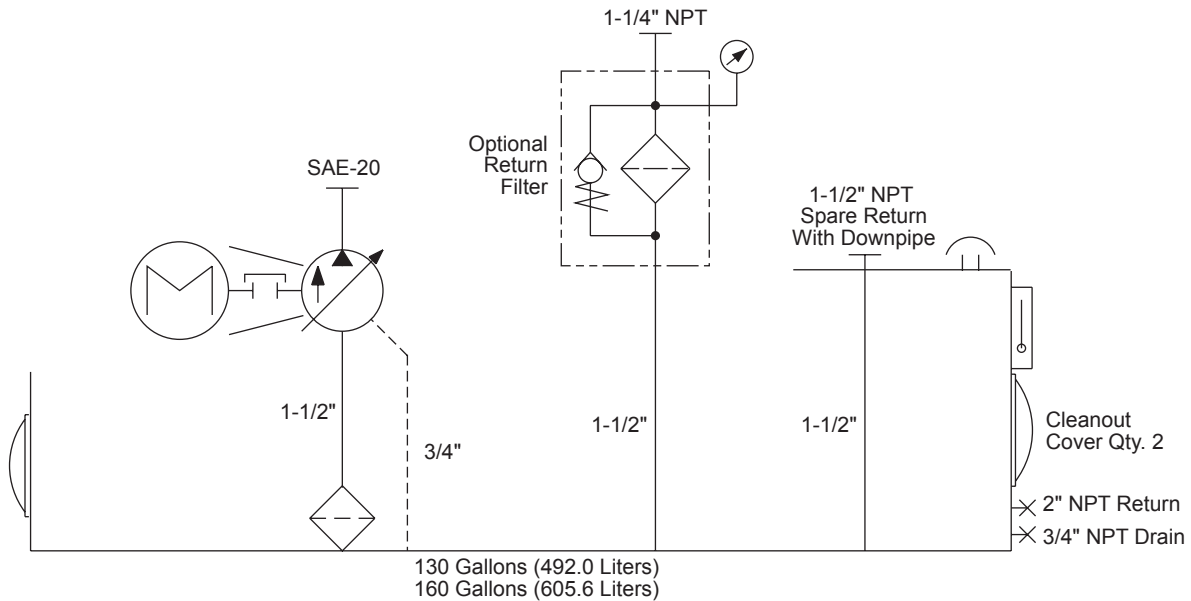
| D | |
|---------------|---------------|
| R130 | R160 |
| 26.50 (673.1) | 31.50 (800.1) |



NFPA/JIC Style Power Units

130/160 GALLON CAPACITY

Schematic and Specifications - With HPV29 Piston Pump



| GENERAL SPECIFICATIONS | R130 | R160 |
|--|---------------------------------------|--------------------------------------|
| Reservoir Capacity | 130 Gal. (492.0 liters) | 160 Gal. (605.6 liters) |
| Surface Area For Heat Transfer | 32.66 sq. ft. (3.03 m ²) | 38.77 sq. ft. (3.60 m ²) |
| Heat Dissipation | Sq. Ft. of Vertical Steel x ΔT / 1000 | |
| Basic Weight (Less Oil, Pump, and Motor) | 756 lbs. (342.9 kg) | 814 lbs. (369.2 kg) |
| Usable Gallons | 62.50 Gal. (236.6 liters) | 99.50 Gal. (376.6 liters) |
| Gallons Per Inch Rise | 7.41 Gal. (28.0 liters) | 7.41 Gal. (28.0 liters) |
| Capacity, Full to Top Plate | 143.33 Gal. (542.5 liters) | 180.37 Gal. (682.7 liters) |
| Capacity, High on Sight Gauge | 127.25 Gal. (481.6 liters) | 164.25 Gal. (621.7 liters) |
| Capacity, Low on Sight Gauge | 103.25 Gal. (390.8 liters) | 140.50 Gal. (531.8 liters) |
| Pump Data* | | |
| Flow Range | Up to 29 gpm (109.8 lpm) | Up to 29 gpm (109.8 lpm) |
| Pressure Range | Up to 3000 psi (207 bar) | Up to 3000 psi (207 bar) |
| Power Range | Up to 75 HP (55.9 kW) | Up to 75 HP (55.9 kW) |

* See Continental Hydraulics Vane Pump or Piston Pump Catalogs for complete codes and specifications.

NFPA/JIC Style Power Units

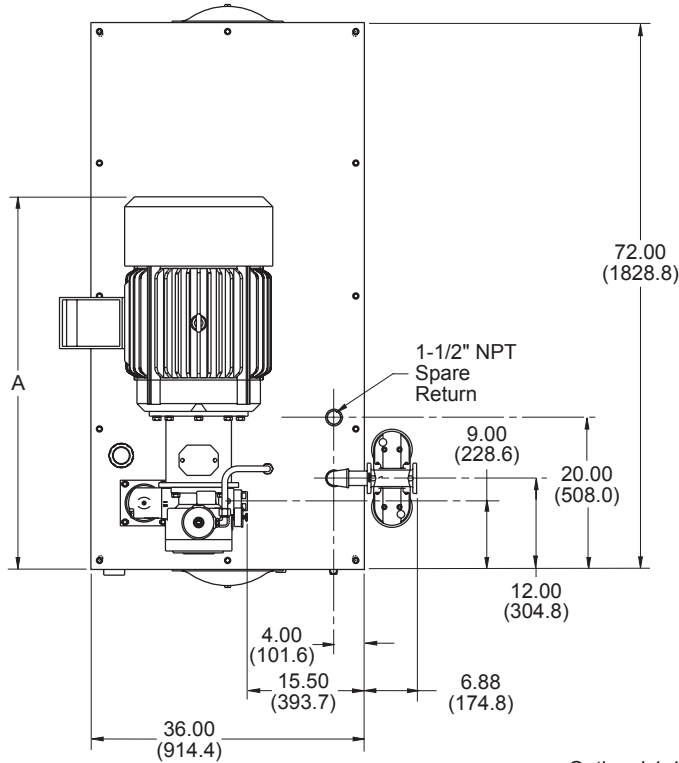
210 GALLON CAPACITY

Dimension Drawing - With PVR50 Vane Pump

CONTINENTAL



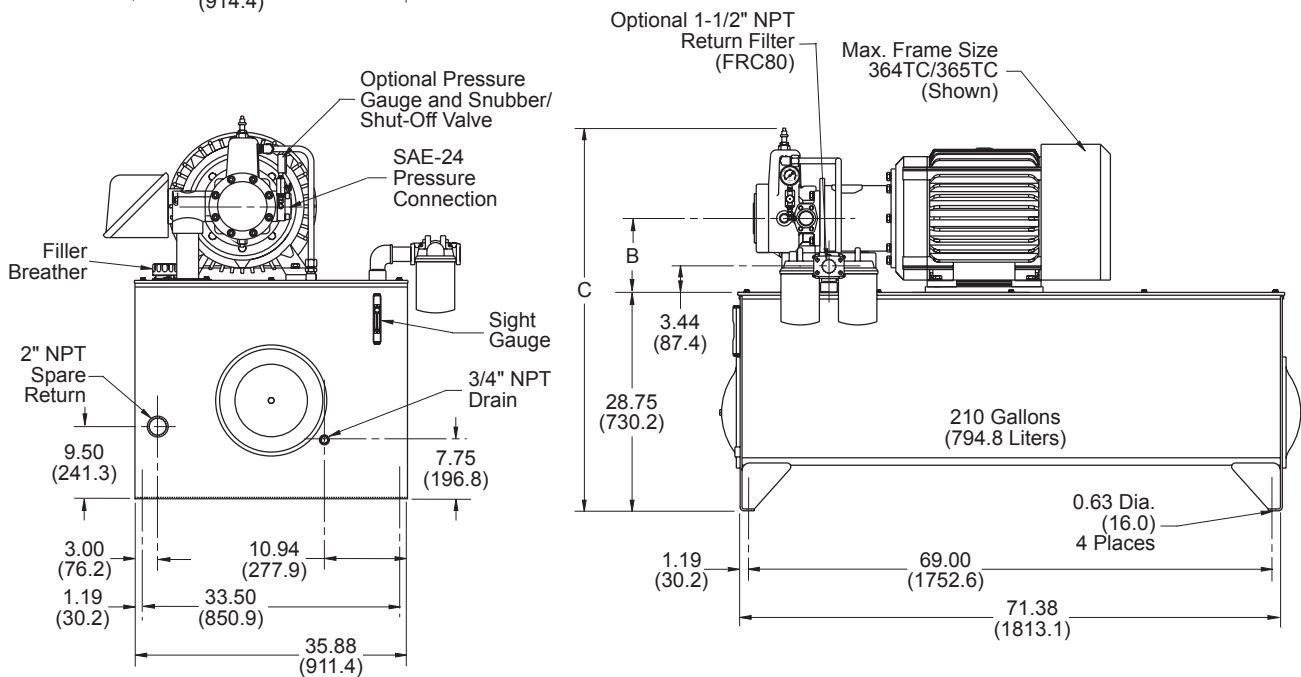
HYDRAULICS



Dimensions shown in: Inches ($\pm .125$)
 (millimeters (± 1 mm))

Dimensions

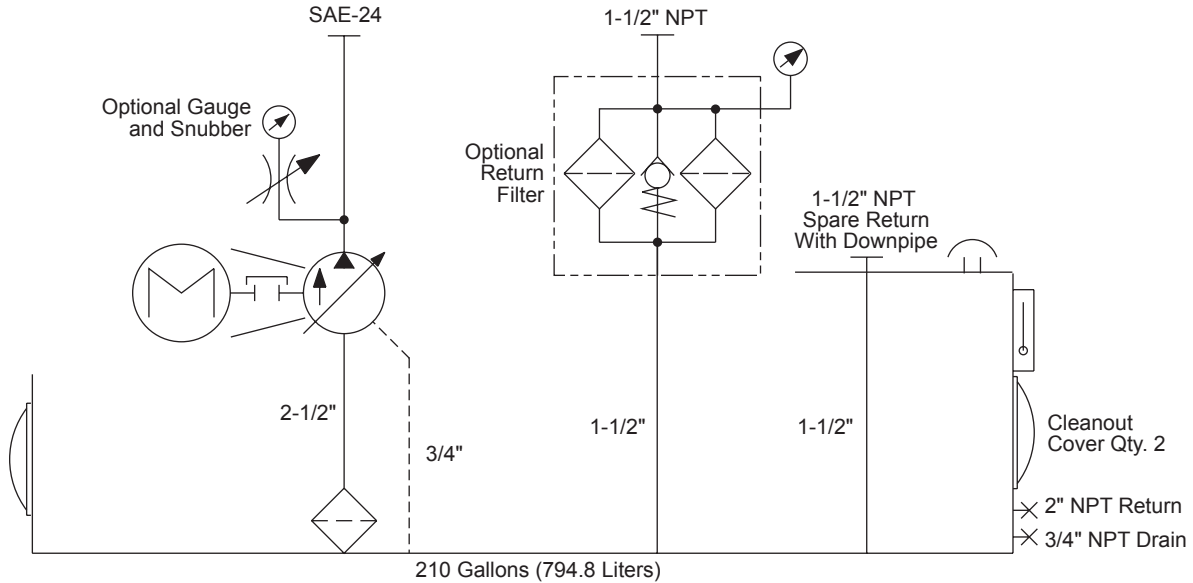
| Motor Frame | A | B | C |
|-------------|----------------|--------------|----------------|
| 254TC | 37.96 (964.2) | 7.00 (177.8) | 47.66 (1210.6) |
| 256TC | 39.66 (1007.4) | 7.00 (177.8) | 47.66 (1210.6) |
| 284TC | 41.59 (1056.4) | 7.75 (196.8) | 48.41 (1229.6) |
| 286TC | 43.09 (1094.5) | 7.75 (196.8) | 48.41 (1229.6) |
| 324TC | 45.00 (1143.0) | 8.75 (222.2) | 49.51 (1257.6) |
| 326TC | 45.00 (1143.0) | 8.75 (222.2) | 49.51 (1257.6) |
| 364TC | 48.63 (1235.2) | 9.75 (247.6) | 50.41 (1280.4) |
| 365TC | 48.63 (1235.2) | 9.75 (247.6) | 50.41 (1280.4) |



NFPA/JIC Style Power Units

210 GALLON CAPACITY

Schematic and Specifications - With PVR50 Vane Pump



| GENERAL SPECIFICATIONS | R210 |
|--|---------------------------------------|
| Reservoir Capacity | 210 Gal. (794.8 liters) |
| Surface Area For Heat Transfer | 43.84 sq. ft. (4.07 m ²) |
| Heat Dissipation | Sq. Ft. of Vertical Steel x ΔT / 1000 |
| Basic Weight (Less Oil, Pump, and Motor) | 994 lbs. (450.9 kg) |
| Usable Gallons | 90.57 Gal. (342.8 liters) |
| Gallons Per Inch Rise | 10.74 Gal. (40.7 liters) |
| Capacity, Full to Top Plate | 232.00 Gal. (878.1 liters) |
| Capacity, High on Sight Gauge | 201.75 Gal. (763.6 liters) |
| Capacity, Low on Sight Gauge | 167.56 Gal. (634.2 liters) |
| Pump Data* | |
| Flow Range | Up to 70 gpm (264.9 lpm) |
| Pressure Range | Up to 2000 psi (138 bar) |
| Power Range | Up to 75 HP (55.9 kW) |

* See Continental Hydraulics Vane Pump or Piston Pump Catalogs for complete codes and specifications.

NFPA/JIC Style Power Units

210 GALLON CAPACITY

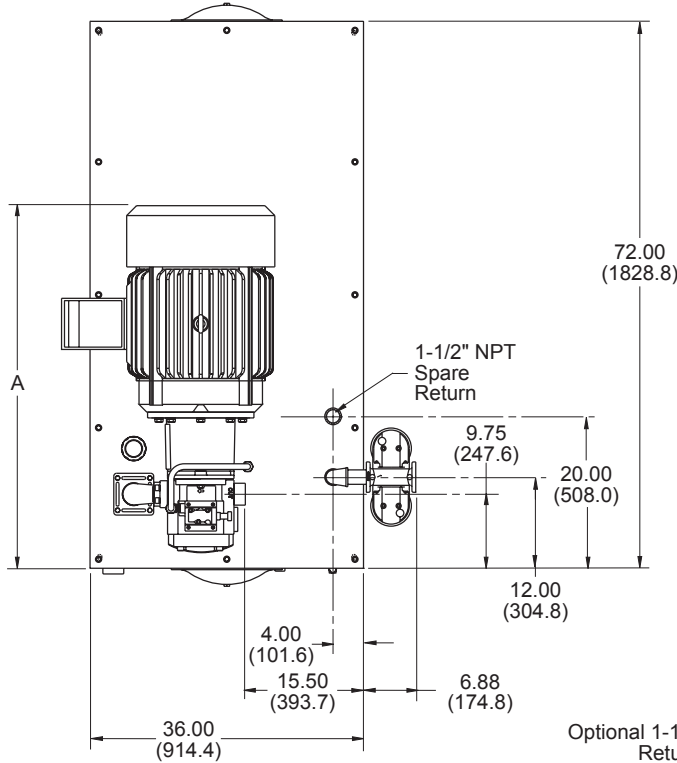
Dimension Drawing - With PVX20/29/36 Vane Pump

CONTINENTAL



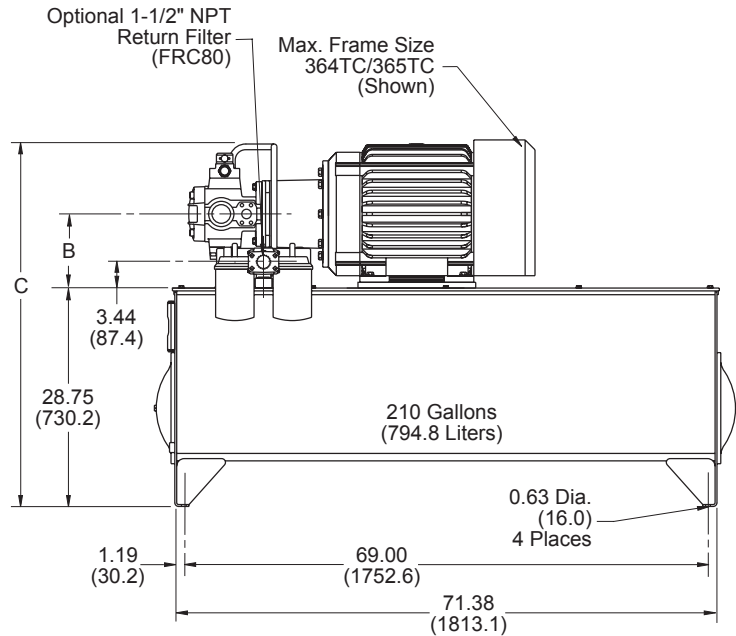
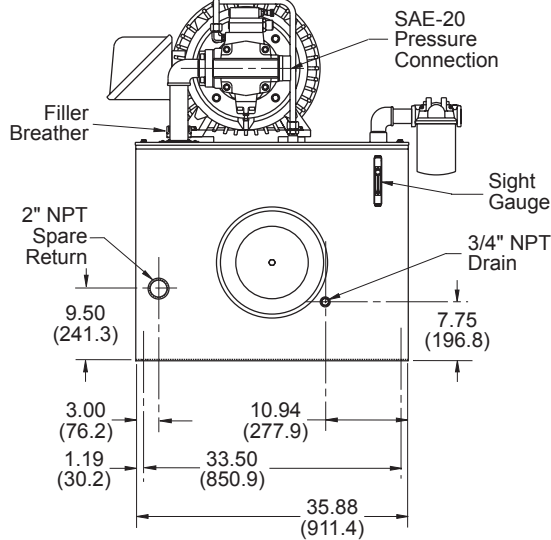
HYDRAULICS

Dimensions shown in: Inches (± .125)
 (millimeters (± 1 mm))



Dimensions

| Motor Frame | A | B | C |
|-------------|----------------|--------------|----------------|
| 254TC | 38.07 (967.0) | 7.00 (177.8) | 46.00 (1168.4) |
| 256TC | 39.77 (1010.2) | 7.00 (177.8) | 46.00 (1168.4) |
| 284TC | 41.57 (1055.9) | 7.75 (196.8) | 46.75 (1187.4) |
| 286TC | 43.07 (1094.0) | 7.75 (196.8) | 46.75 (1187.4) |
| 324TC | 44.61 (1133.1) | 8.75 (222.2) | 47.75 (1212.8) |
| 326TC | 44.61 (1133.1) | 8.75 (222.2) | 47.75 (1212.8) |
| 364TC | 48.11 (1222.0) | 9.75 (247.6) | 48.75 (1238.2) |
| 365TC | 48.11 (1222.0) | 9.75 (247.6) | 48.75 (1238.2) |

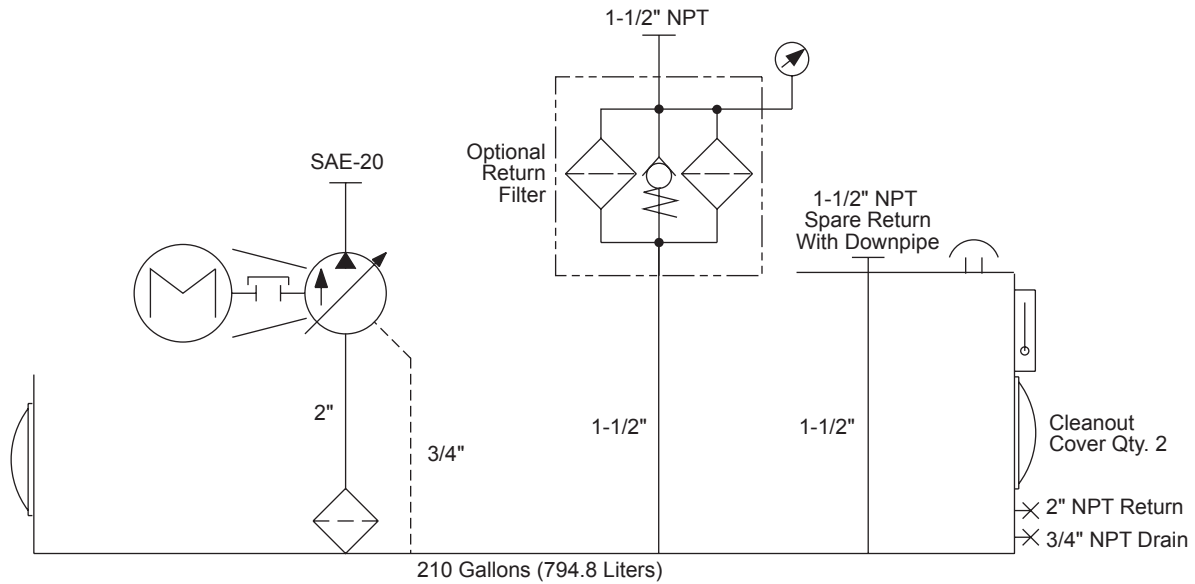




NFPA/JIC Style Power Units

210 GALLON CAPACITY

Schematic and Specifications - With PVX20/29/36 Vane Pump



| GENERAL SPECIFICATIONS | R210 |
|--|---------------------------------------|
| Reservoir Capacity | 210 Gal. (794.8 liters) |
| Surface Area For Heat Transfer | 43.84 sq. ft. (4.07 m ²) |
| Heat Dissipation | Sq. Ft. of Vertical Steel x ΔT / 1000 |
| Basic Weight (Less Oil, Pump, and Motor) | 990 lbs. (449.1 kg) |
| Usable Gallons | 109.36 Gal. (413.9 liters) |
| Gallons Per Inch Rise | 10.74 Gal. (40.7 liters) |
| Capacity, Full to Top Plate | 232.00 Gal. (878.1 liters) |
| Capacity, High on Sight Gauge | 201.75 Gal. (763.6 liters) |
| Capacity, Low on Sight Gauge | 167.56 Gal. (634.2 liters) |
| Pump Data* | |
| Flow Range | Up to 36 gpm (136.3 lpm) |
| Pressure Range | Up to 3000 psi (207 bar) |
| Power Range | Up to 75 HP (55.9 kW) |

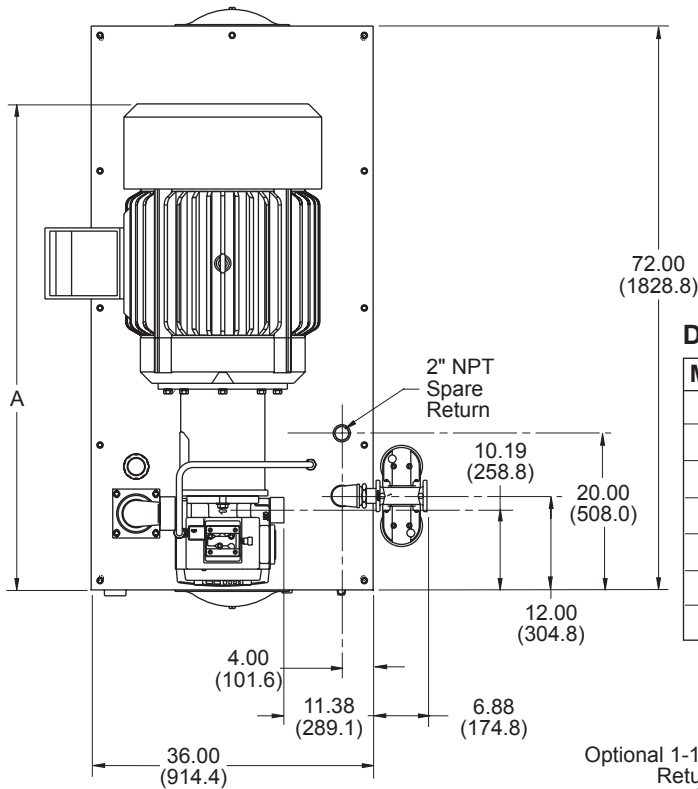
* See Continental Hydraulics Vane Pump or Piston Pump Catalogs for complete codes and specifications.

NFPA/JIC Style Power Units

210 GALLON CAPACITY

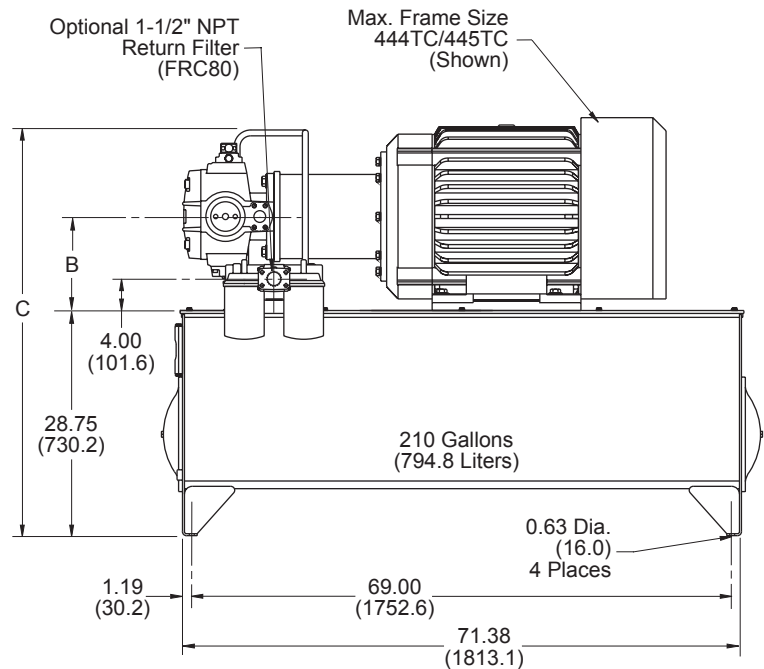
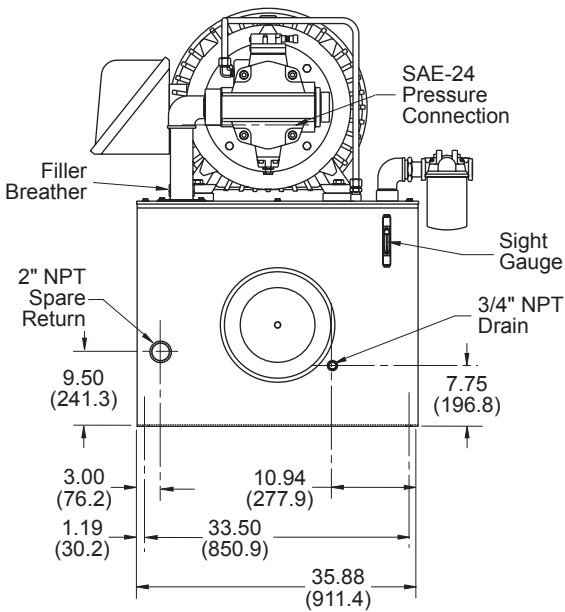
Dimension Drawing - With PVX46/60/75 Vane Pump

Dimensions shown in: Inches (± .125)
 (millimeters (± 1 mm))



Dimensions

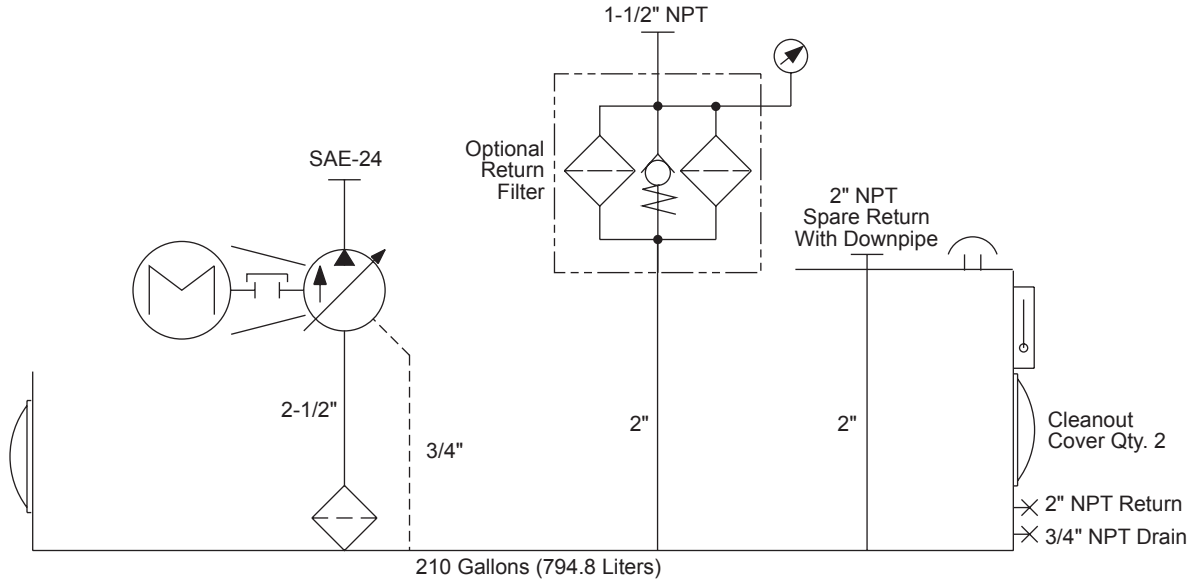
| Motor Frame | A | B | C |
|-------------|----------------|---------------|----------------|
| 324TC | 46.20 (1173.5) | 8.75 (222.2) | 48.00 (1219.2) |
| 326TC | 46.20 (1173.5) | 8.75 (222.2) | 48.00 (1219.2) |
| 364TC | 49.21 (1249.9) | 9.75 (247.6) | 49.00 (1244.6) |
| 365TC | 49.21 (1249.9) | 9.75 (247.6) | 49.00 (1244.6) |
| 404TC | 55.57 (1411.5) | 11.00 (279.4) | 50.25 (1276.3) |
| 405TC | 55.57 (1411.5) | 11.00 (279.4) | 50.25 (1276.3) |
| 444TC | 62.50 (1587.5) | 12.00 (304.8) | 51.25 (1301.7) |



NFPA/JIC Style Power Units

210 GALLON CAPACITY

Schematic and Specifications - With PVX46/60/75 Vane Pump



| GENERAL SPECIFICATIONS | R210 |
|--|---------------------------------------|
| Reservoir Capacity | 210 Gal. (794.8 liters) |
| Surface Area For Heat Transfer | 43.84 sq. ft. (4.07 m ²) |
| Heat Dissipation | Sq. Ft. of Vertical Steel x ΔT / 1000 |
| Basic Weight (Less Oil, Pump, and Motor) | 996 lbs. (451.8 kg) |
| Usable Gallons | 90.57 Gal. (342.8 liters) |
| Gallons Per Inch Rise | 10.74 Gal. (40.7 liters) |
| Capacity, Full to Top Plate | 232.00 Gal. (878.1 liters) |
| Capacity, High on Sight Gauge | 201.75 Gal. (763.6 liters) |
| Capacity, Low on Sight Gauge | 167.56 Gal. (634.2 liters) |
| Pump Data* | |
| Flow Range | Up to 75 gpm (283.9 lpm) |
| Pressure Range | Up to 2500 psi (172 bar) |
| Power Range | Up to 125 HP (93.2 kW) |

* See Continental Hydraulics Vane Pump or Piston Pump Catalogs for complete codes and specifications.

NFPA/JIC Style Power Units

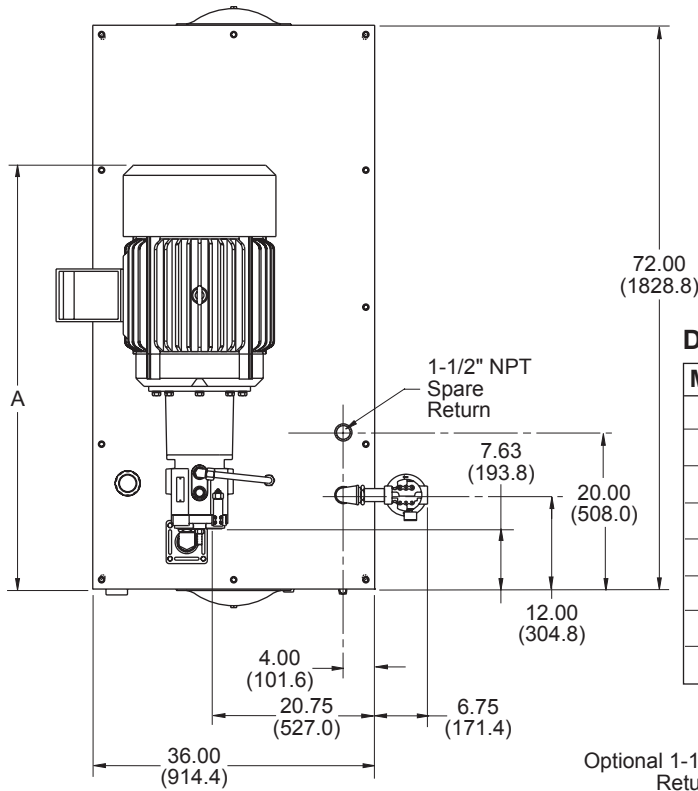
210 GALLON CAPACITY

Dimension Drawing - With HPV29 Piston Pump

CONTINENTAL



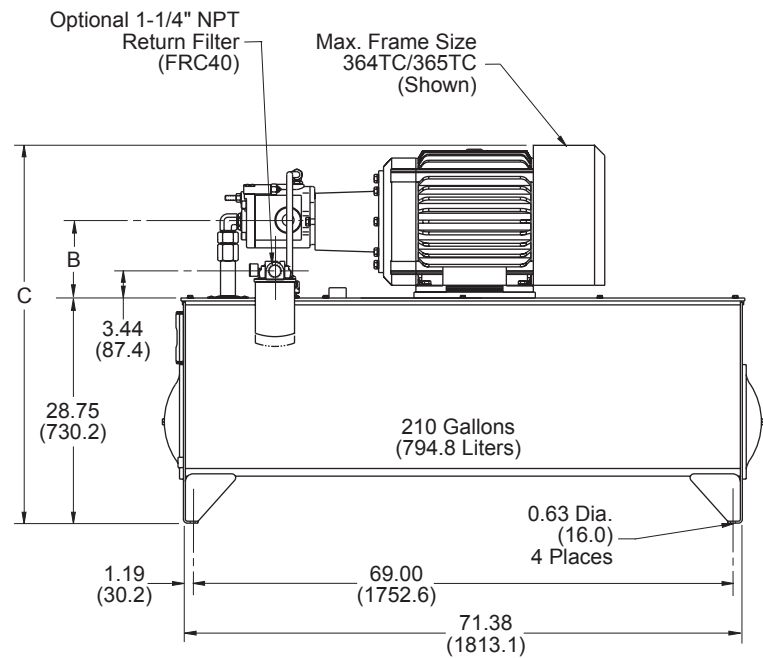
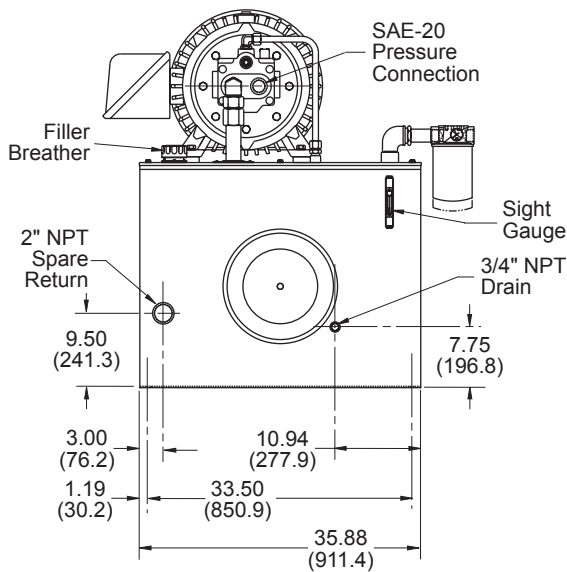
HYDRAULICS



Dimensions shown in: Inches (± .125)
(millimeters (± 1 mm))

Dimensions

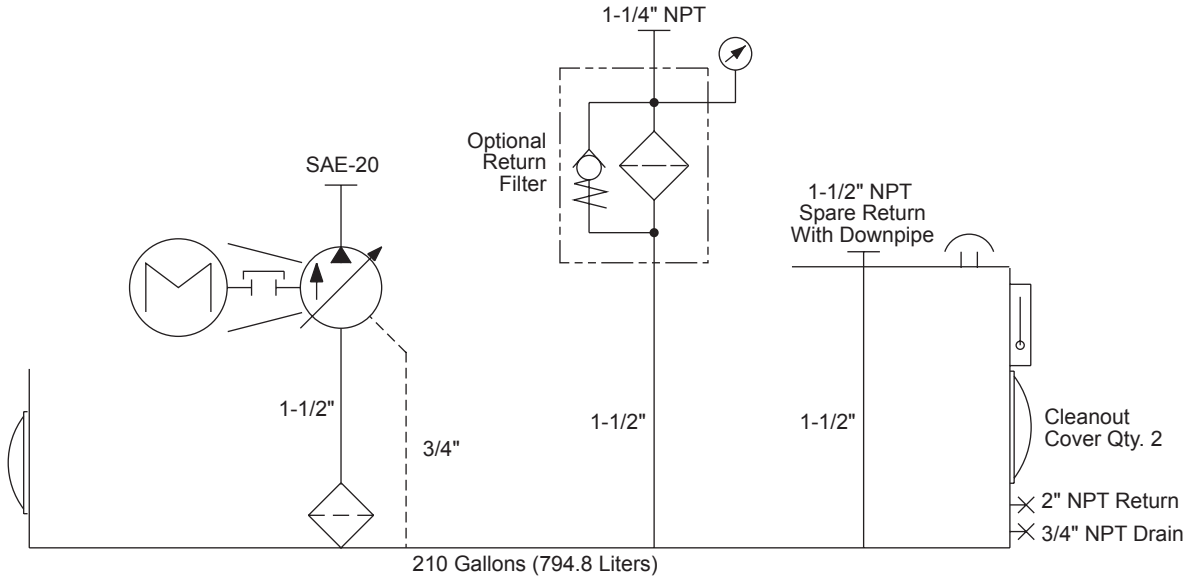
| Motor Frame | A | B | C |
|-------------|----------------|--------------|----------------|
| 254TC | 43.35 (1101.1) | 7.00 (177.8) | 42.38 (1076.5) |
| 256TC | 45.05 (1144.3) | 7.00 (177.8) | 42.38 (1076.5) |
| 284TC | 46.05 (1169.7) | 7.75 (196.8) | 43.88 (1114.6) |
| 286TC | 48.35 (1228.1) | 7.75 (196.8) | 43.88 (1114.6) |
| 324TC | 49.89 (1267.2) | 8.75 (222.2) | 45.85 (1164.6) |
| 326TC | 49.89 (1267.2) | 8.75 (222.2) | 45.85 (1164.6) |
| 364TC | 54.13 (1374.9) | 9.75 (247.6) | 47.75 (1212.8) |
| 365TC | 54.13 (1374.9) | 9.75 (247.6) | 47.75 (1212.8) |



NFPA/JIC Style Power Units

210 GALLON CAPACITY

Schematic and Specifications - With HPV29 Piston Pump



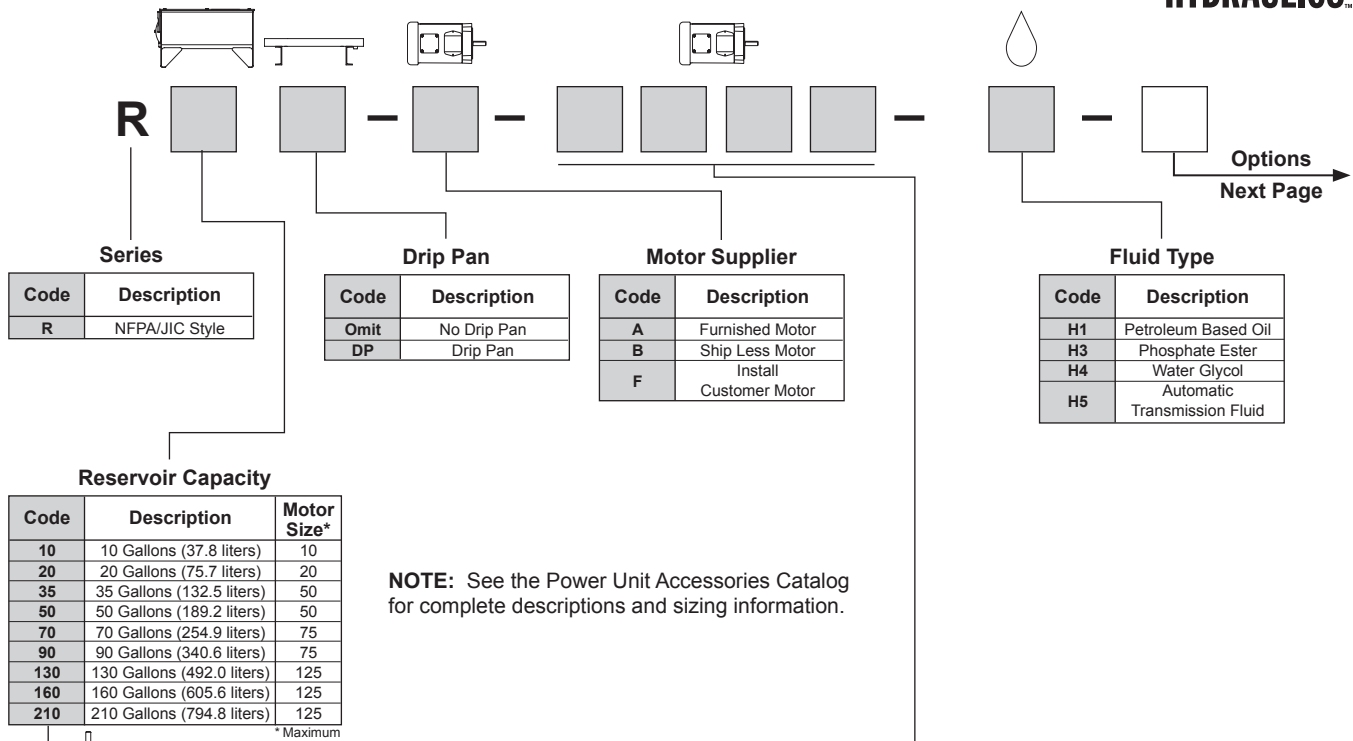
| GENERAL SPECIFICATIONS | R210 |
|--|---------------------------------------|
| Reservoir Capacity | 210 Gal. (794.8 liters) |
| Surface Area For Heat Transfer | 43.84 sq. ft. (4.07 m ²) |
| Heat Dissipation | Sq. Ft. of Vertical Steel x ΔT / 1000 |
| Basic Weight (Less Oil, Pump, and Motor) | 994 lbs. (450.9 kg) |
| Usable Gallons | 109.36 Gal. (413.9 liters) |
| Gallons Per Inch Rise | 10.74 Gal. (40.7 liters) |
| Capacity, Full to Top Plate | 232.00 Gal. (878.1 liters) |
| Capacity, High on Sight Gauge | 201.75 Gal. (763.6 liters) |
| Capacity, Low on Sight Gauge | 167.56 Gal. (634.2 liters) |
| Pump Data* | |
| Flow Range | Up to 29 gpm (109.8 lpm) |
| Pressure Range | Up to 3000 psi (207 bar) |
| Power Range | Up to 75 HP (55.9 kW) |

* See Continental Hydraulics Vane Pump or Piston Pump Catalogs for complete codes and specifications.

NFPA/JIC Style Power Units

10 TO 210 GALLON CAPACITY

Ordering Information - Standard Unit



NOTE: See the Power Unit Accessories Catalog for complete descriptions and sizing information.

Select vane or piston pump from the appropriate Continental Hydraulics Pump Catalogs.

NOTE: Pump and motor ranges listed for each reservoir size are standard combinations. For special combinations, please discuss your application with your Continental Hydraulics distributor or the factory.

Motor Horsepower

| Code | Description |
|------|------------------|
| 1 | 1 H.P. / 143TC |
| 1.5 | 1.5 H.P. / 145TC |
| 2 | 2 H.P. / 145TC |
| 3 | 3 H.P. / 182TC |
| 5 | 5 H.P. / 184TC |
| 7.5 | 7.5 H.P. / 213TC |
| 10 | 10 H.P. / 215TC |
| 15 | 15 H.P. / 254TC |
| 20 | 20 H.P. / 256TC |
| 25 | 25 H.P. / 284TC |
| 30 | 30 H.P. / 286TC |
| 40 | 40 H.P. / 324TC |
| 50 | 50 H.P. / 326TC |
| 60 | 60 H.P. / 364TC |
| 75 | 75 H.P. / 365TC |
| 100 | 100 H.P. / 405TC |
| 125 | 125 H.P. / 444TC |

NOTE: Pump and motor ranges listed for each reservoir size are standard combinations. For special combinations, please discuss your application with your Continental Hydraulics distributor or the factory.

Motor RPM

| Code | Description |
|------|-------------|
| B | 1800 RPM |

Motor Type

| Code | Description |
|------|--|
| MTC | "C" Faced - T.E.F.C. Totally Enclosed Fan Cooled |

Motor Voltage

| Code | Description |
|------|------------------------------|
| E | 208-230/460/60/3 1 - 10 H.P. |
| F | 230/460/60/3 15 - 75 H.P. |

Typical Ordering Code

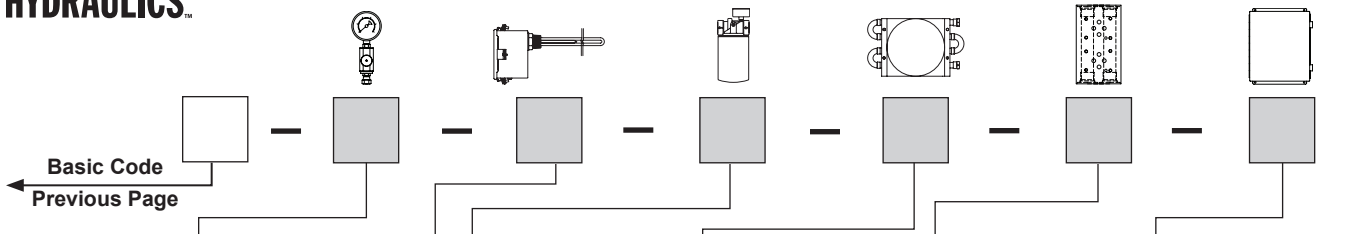
- R90-A-20BMTCF-H1-G2N-FRC80-V5M2S-MS** (Power Unit)
- PVR15-20B15-RF-0-5** (Vane Pump)
- VSD05M-3A-GB-33L** (Directional Control Valve - Qty. 1)
- F05MSV-NDC-AA** (Flow Control Valve - Qty. 1)
- BD05-400** (Bolt Kit - Qty. 1)
- VSD05M-3F-G-33L** (Directional Control Valve - Qty. 1)
- BD05-175** (Bolt Kit - Qty. 1)
- MS-20-460-3-4** (Motor Starter - Qty. 1)



NFPA/JIC Style Power Units

10 TO 210 GALLON CAPACITY

Ordering Information - Options



Basic Code
Previous Page

Pressure

| Code | Description |
|------|---|
| Omit | No Gauge |
| G1 | Pressure Gauge 0 - 1000 psi, SAE-4 |
| G1.5 | Pressure Gauge 0 - 1500 psi, SAE-4 |
| G2 | Pressure Gauge 0 - 2000 psi, SAE-4 |
| G3 | Pressure Gauge 0 - 3000 psi, SAE-4 |
| G5 | Pressure Gauge 0 - 5000 psi, SAE-4 |
| N | Needle Valve SAE-4 |
| IV | Gauge Isolator, 14 NPT Push to Read/Detent |
| RV1 | Relief Valve, SAE-8 150 - 4500 psi (10 - 310 bar) |
| RV2 | Relief Valve, SAE-12 150 - 4500 psi (10 - 310 bar) |
| RV6 | Relief Valve, SAE-16 150 - 4500 psi (10 - 310 bar) |
| AB | Air Bleed Valve, SAE-6 8 gpm (30.3 liters) |

Heat Exchanger

| Code | Description |
|--------|--|
| Omit | No Heat Exchanger |
| HEW11C | Water-to-Oil Cooler HEW-11 For Case Drain |
| HEW11R | Water-to-Oil Cooler System Return |
| HEW21R | Water-to-Oil Cooler HEW-21 For System Return With Bypass |
| HEW31R | Water-to-Oil Cooler HEW-31 For System Return With Bypass |
| HEW33R | Water-to-Oil Cooler HEW-33 For System Return With Bypass |
| MHE2 | Water Modulating Valve 1/2 NPT 25 gpm (94.6 liters) |
| MHE3 | Water Modulating Valve 3/4 NPT 40 gpm (151.4 liters) |
| MHE4 | Water Modulating Valve 1 NPT 55 gpm (208.2 liters) |
| Y2 | Water "Y" Strainer 1/2 NPT |
| Y3 | Water "Y" Strainer 3/4 NPT |
| Y4 | Water "Y" Strainer 1 NPT |
| HEA41C | Air-to-Oil Cooler HEA-41 For Case Drain |
| HEA42C | Air-to-Oil Cooler HEA-42 For Case Drain |
| HEA44C | Air-to-Oil Cooler HEA-44 For Case Drain |
| HEA19C | Air-to-Oil Cooler SAE-12, 10 psi (.7 bar) Bypass For Case Drain |
| HEA41R | Air-to-Oil Cooler HEA-41 For System Return |
| HEA42R | Air-to-Oil Cooler HEA-42 For System Return |
| HEA19R | Air-to-Oil Cooler SAE-12, 30 psi (2 bar) Bypass For System Return |
| HEA22R | Air-to-Oil Cooler SAE-12, 30 psi (2 bar) Bypass For System Return |
| HEA24R | Air-to-Oil Cooler SAE-12, 30 psi (2 bar) Bypass For System Return |
| HEA33R | Air-to-Oil Cooler SAE-16, 30 psi (2 bar) Bypass For System Return |
| HEA37R | Air-to-Oil Cooler SAE-20, 30 psi (2 bar) Bypass For System Return |
| HEA50R | Air-to-Oil Cooler SAE-20, 30 psi (2 bar) Bypass For System Return |
| HEA54R | Air-to-Oil Cooler SAE-24, 30 psi (2 bar) Bypass For System Return |
| HEA57R | Air-to-Oil Cooler SAE-32, 30 psi (2 bar) Bypass For System Return |
| HEA70R | Air-to-Oil Cooler SAE-32, 30 psi (2 bar) Bypass For System Return |

Motor Starter

| Code | Description |
|------|---|
| Omit | No Motor Starter |
| MS | Motor Starter (See Power Unit Accessories Catalog For Selection and Sizing - Add Model Code as Required) |

Valve Mounting

| Code | Description |
|-------|--|
| Omit | No Manifold |
| S3S | Valve Subplate D03 - SAE-8 Ports |
| S5S | Valve Subplate D05 - SAE-8 Ports |
| S8S | Valve Subplate D08 - SAE-20 Ports |
| V3M1S | D03 Valve Manifold 1 Station SAE-8 Ports |
| V3M2S | D03 Valve Manifold 2 Station SAE-8 Ports |
| V3M3S | D03 Valve Manifold 3 Station SAE-8 Ports |
| V3M4S | D03 Valve Manifold 4 Station SAE-8 Ports |
| V3M5S | D03 Valve Manifold 5 Station SAE-8 Ports |
| V3M6S | D03 Valve Manifold 6 Station SAE-8 Ports |
| V5M1S | D05 Valve Manifold 1 Station SAE-8 Ports |
| V5M2S | D05 Valve Manifold 2 Station SAE-8 Ports |
| V5M3S | D05 Valve Manifold 3 Station SAE-8 Ports |
| V5M4S | D05 Valve Manifold 4 Station SAE-8 Ports |
| V5M5S | D05 Valve Manifold 5 Station SAE-8 Ports |
| V5M6S | D05 Valve Manifold 6 Station SAE-8 Ports |
| V8M1S | D08 Valve Manifold 1 Station SAE-16 Ports |
| V8M2S | D08 Valve Manifold 2 Station SAE-16 Ports |
| V8M3S | D08 Valve Manifold 3 Station SAE-16 Ports |

Mechanical or Electrical

| Code | Description |
|------|---|
| Omit | No Mechanic or Electrical Options |
| D | Tank Drain 3/4 NPT |
| M | Magnet Separator |
| CV06 | Check Valve SAE-6 3000 psi (207 Bar) 7 psi (.5 bar) Crack |
| CV08 | Check Valve SAE-8 3000 psi (207 Bar) 7 psi (.5 bar) Crack |
| CV12 | Check Valve SAE-12 3000 psi (207 Bar) 7 psi (.5 bar) Crack |
| CV16 | Check Valve SAE-16 3000 psi (207 Bar) 7 psi (.5 bar) Crack |
| CV20 | Check Valve SAE-20 3000 psi (207 Bar) 7 psi (.5 bar) Crack |
| CV24 | Check Valve SAE-24 3000 psi (207 Bar) 7 psi (.5 bar) Crack |
| BV08 | Ball Valve SAE-8, 6000 psi (414 Bar)* |
| BV12 | Ball Valve SAE-12, 6000 psi (414 Bar)* |
| BV16 | Ball Valve SAE-16, 6000 psi (414 Bar)* |
| BV20 | Ball Valve SAE-20, 6000 psi (414 Bar)* |
| BV24 | Ball Valve SAE-24, 6000 psi (414 Bar)* |
| BV32 | Ball Valve SAE-32, 6000 psi (414 Bar)* |
| FM1 | Flow Meter 0 - 10 gpm (0 - 37.8 liters) |
| FM2 | Flow Meter 2 - 30 gpm (7.8 - 113.5 liters) |
| FM3 | Flow Meter 10-75 gpm (37.8-283.9 liters) |
| LT | Level/Temperature Switch |
| PS1 | Pressure Switch |
| TS1 | Temperature Switch |
| TH | Tank Heater |

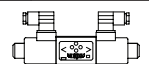
* Rated pressure

Filter

| Code | Description |
|-------|---------------------------------------|
| Omit | No Filters |
| FR*10 | Return Filter 10 gpm (37.8 liters) |
| FR*40 | Return Filter 40 gpm (151.4 liters) |
| FR*80 | Return Filter 80 gpm (302.8 liters) |
| FP*10 | Pressure Filter 10 gpm (37.8 liters) |
| FP*20 | Pressure Filter 20 gpm (75.7 liters) |
| FP*50 | Pressure Filter 50 gpm (189.2 liters) |
| FP*70 | Pressure Filter 70 gpm (264.9 liters) |

NOTE: All have 10 Micron element with indicator.

| | |
|---|----------------------|
| * | |
| C | Visual Indicator |
| E | Electrical indicator |



Select valves as required from the appropriate Continental Hydraulics Catalogs.

For subplate/manifold dimensions and specifications, see the Continental Hydraulics Subplate and Manifold Catalog.

NOTE: See the Power Unit Accessories Catalog for complete descriptions and sizing information.
Add model code as required.



Continental Hydraulics Division

5505 West 123rd Street
Savage, MN 55378 U.S.A.

Phone: (952) 895-6400 Fax: (952) 895-6444

www.continentalhydraulics.com

Because Continental Hydraulics is continually improving its products,
specifications and appearance are subject to change without notice.