



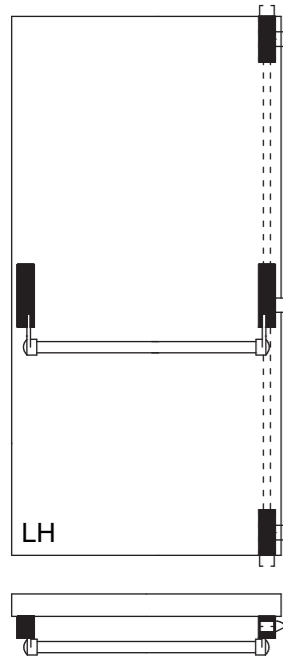
TIMOTHY'S BRIDGE ROAD · STRATFORD-UPON-AVON · WARWICKSHIRE · CV37 9NQ · EMERGENCY EXIT DEVICE · · · · · PANIC HARDWARE · · · · · EMERGENCY EXIT DEVICE · · · · · PANIC HARDWARE
 T : 01789 414044 · F : 01789 415273

6200 SERIES - TYPICAL APPLICATIONS

AS VIEWED FROM THE INSIDE

OMEC panic exit devices can be supplied in three different operating specifications making it one of the most flexible panic exit devices available. In its simplest form the OMEC 6200 series push bar and latch is supplied strictly for Right or Left hand applications. Alternatively, the OMEC push bar can be supplied in a reversible format to suit both Left and Right hand arrangements.

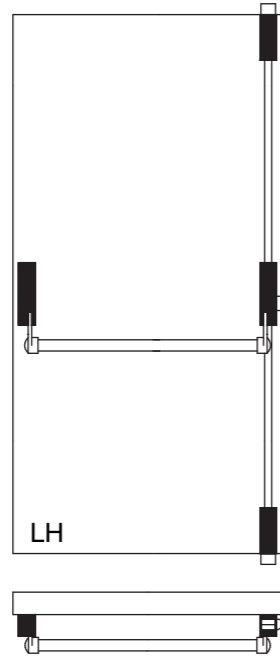
Single door with optional bolts or latches



The most basic assembly is the single point locking horizontal push bar latch type, shown left of this copy in a LEFT HAND situation. This arrangement is normally found on simple 'single door' installations where high security or a more effective weatherseal around the door is not a priority. The dotted detail in our illustrations indicate optional extra vertical locking points.

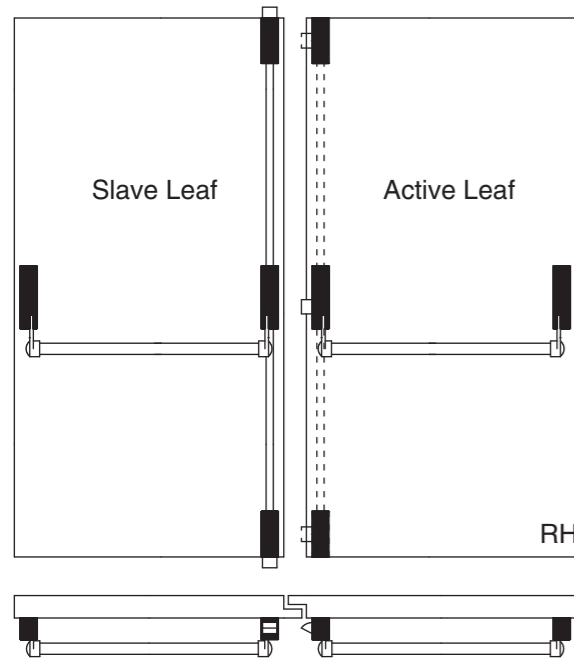
Note that horizontal 'latches' or vertical 'bolts' can be specified depending on the application.

Single door with additional bolts



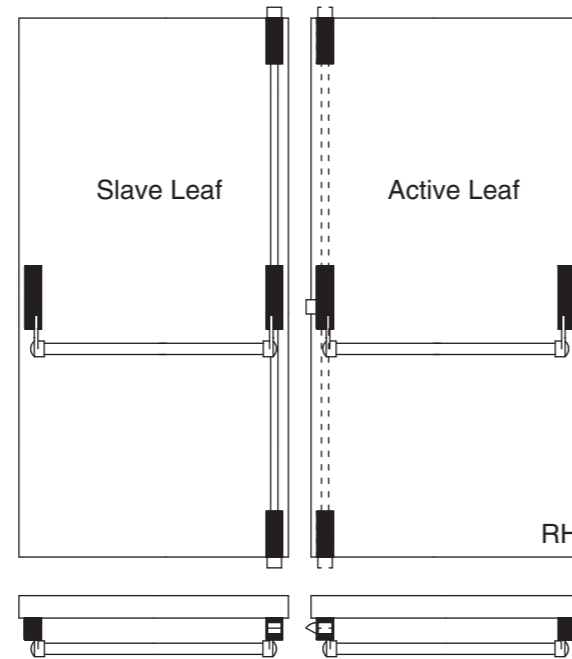
Single doors can have the added security of two or even three locking points depending on individual requirements. The centre push bar can be set as a latch and/or used to drive the vertical push rods to achieve additional locking top & bottom. These remote locking units can be supplied as 'bolts', for vertical locking or 'latches' for horizontal locking. Our illustration left, shows a LH installation with remote top & bottom bolts driven by the centre push bar latch giving a total of three locking points.

Double REBATED doors with optional latches to active leaf



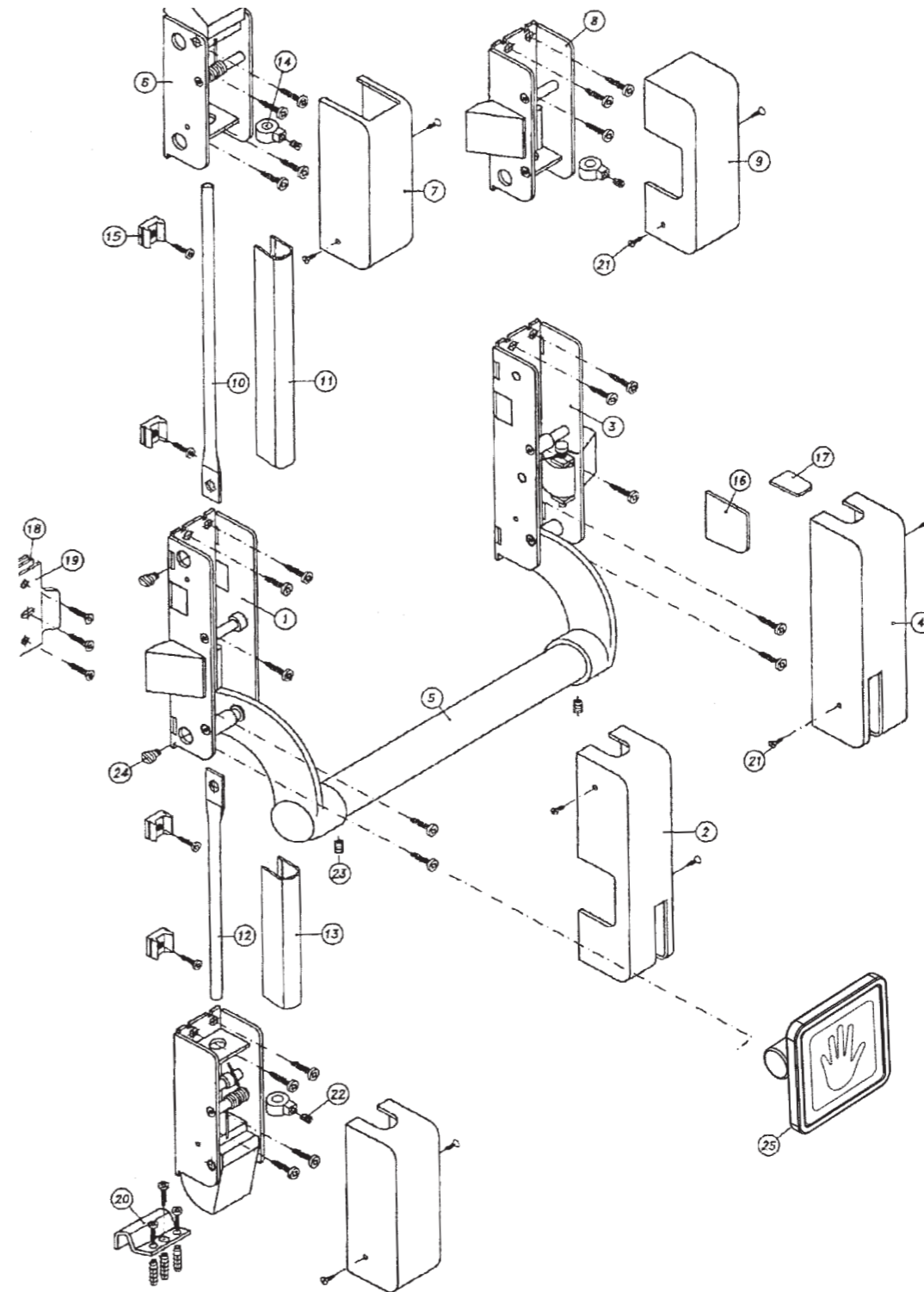
Double door applications require two sets of fittings where the Active leaf will need to operate independent of the Slave or secondary leaf. In this configuration the most basic arrangement is for the Slave leaf to feature a push bar with top & bottom locking bolts, and the Active leaf to have a single push bar latch. Our illustrations above show the Active door on the right.

Double SQUARE edge doors with optional bolts to active leaf



The dotted details show optional extra vertical locking 'latch' points on the Active leaf for rebated stiles, and locking 'bolt' points where the meeting styles are square. OMEC Emergency gear is suitable for doors up to 1200mm wide by 2500mm high. Standard finish is powder coated black with RAL6024 Traffic green push bars.

ALL EMERGENCY EXIT DOORS MUST OPEN OUT



EN 1125:1997
+A1:2001

3 7 6 0 1 3 2 2 A

Parts & assembly details

- 1 Push bar latch mechanism
- 2 Push bar latch cover
- 3 Idler mechanism
- 4 Idler cover
- 5 Push bar
- 6 Top bolt mechanism
- 7 Top bolt mechanism cover
- 8 Latch unit mechanism
- 9 Latch unit cover
- 10 Top rod
- 11 Top rod cover
- 12 Bottom rod
- 13 Bottom rod cover
- 14 Rod fixing collar
- 15 Plastic clips for rod cover
- 16 Bolt blanking plate
- 17 Rod blanking plate
- 18 Keeper shims
- 19 Bevelled keeper
- 20 Profiled floor keeper
- 21 Mechanism cover securing screws
- 22 Rod collar fixing screw
- 23 Panic bar securing screw
- 24 Rod connecting screw
- 25 Alternative push pad

Proven – tested to over 1,000,000 cycles

The OMEC push bar latch mechanism has been tested in excess of one million cycles with negligible signs of wear. Each assembly is guaranteed for 12 months and subjected to strict quality control procedures before leaving the Italian manufacturing plant. Working parts are protected within a 2mm thick passivated steel casing which also houses two stainless steel springs, one to return the latch and the other, the push bar. The outer casing is a single piece zinc alloy casting that is finished smooth prior to powder coating to a thickness of 60-80 microns.



LATCHES



Clean lines with surface mounted simplicity

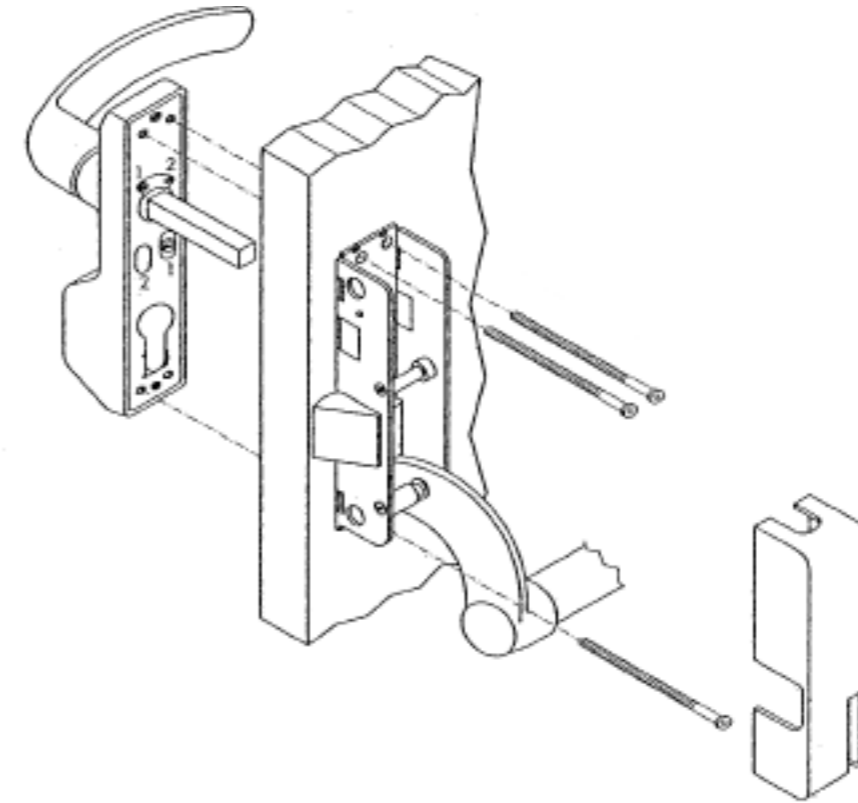
Both remote latch and lock units are of similar construction with special attention to purpose and appearance. Unlike some surface mounted assemblies, the OMEC emergency gear incorporates cover strips that are designed to clip over the operating rods to enhance the overall appearance, protect the rods against vandalism and generally create a superior finish.

Flexible design to suit all requirements

Depending on the individual specification, the OMEC emergency gear can be fitted with one, two or three point locking by using the appropriate model. The 'Universal' assembly with its blanking plates, will of course, do them all.



BOLTS



Lever cylinder assembly

To comply with the increasing demand for an outside access facility, the OMEC push bar mechanism is designed to accommodate a handsome external 5 pin cylinder operated lever. A 8mm square spindle projecting 74mm from the back of the lever locates into the latch follower situated in the push bar latch mechanism. The generous spindle length can be cut down for door thickness less than 76mm.

Maximum and minimum door thickness are 85mm & 40mm respectively.

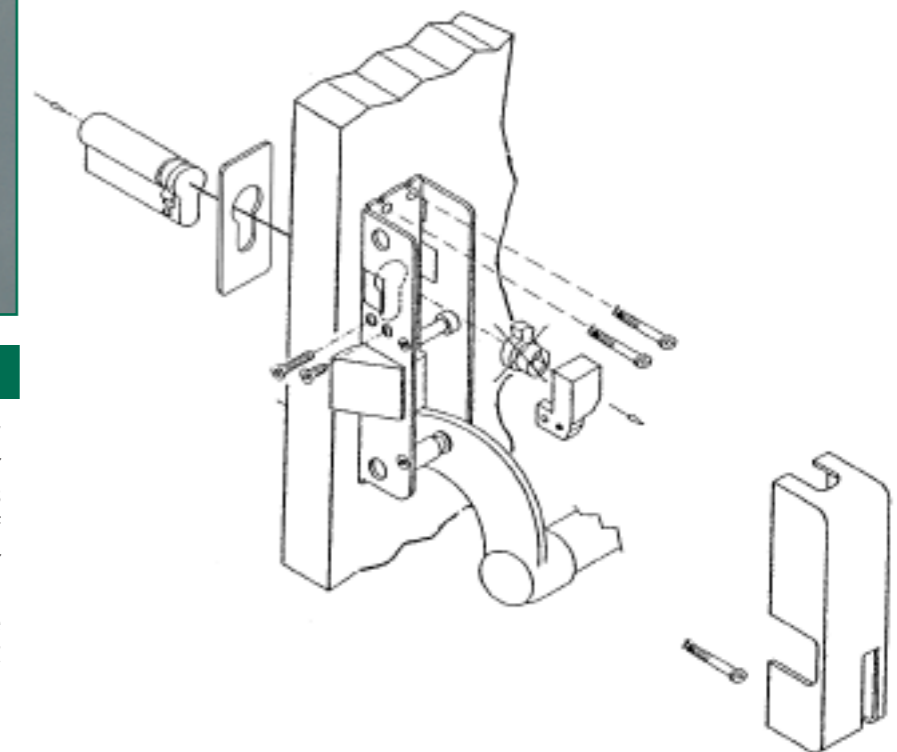
Cylinders can be supplied keyed alike or suited.



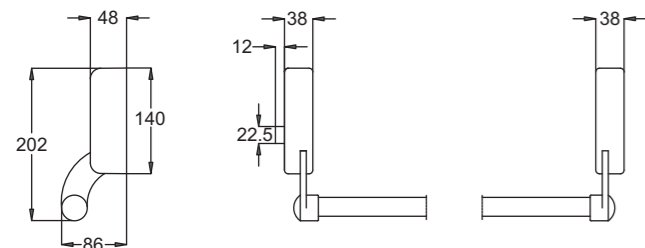
External cylinder only

Direct external cylinder operation is achieved by removing a single screw on the side of the push bar casing and discarding the cast 8mm follower that is not required in this arrangement. To cover a range of door thicknesses from 85mm to 40mm, we offer four lengths of half cylinder, 70, 80, 96 & 106mm. To finish off the installation an optional self adhesive escutcheon, part no FD/11, is available finished PC white, black or anodised silver.

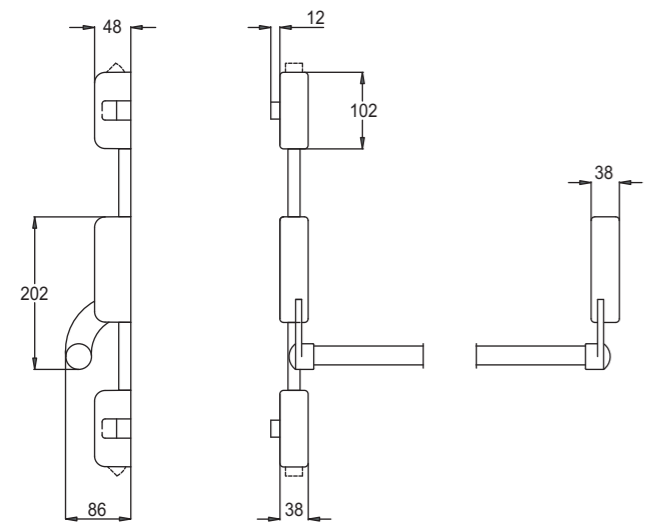
Cylinders can be supplied keyed alike or suited.



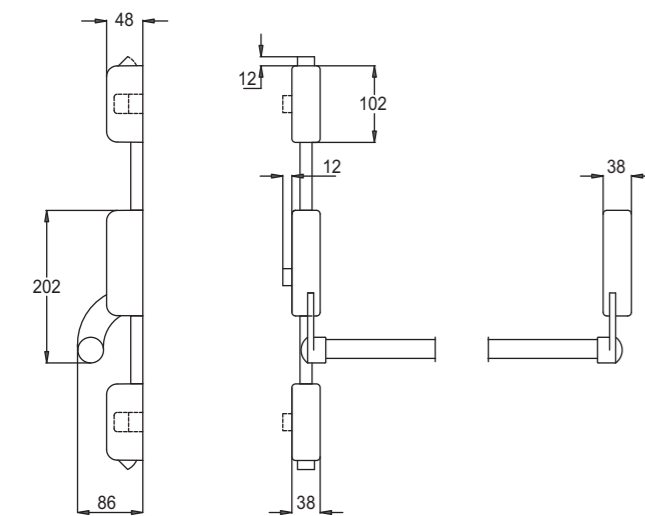
Push bar configuration options



Push bar with **single point** latch. The 6200 can be supplied reversible or handed. Rebated double door installations using this configuration normally feature two point remote bolt locking on the slave leaf.

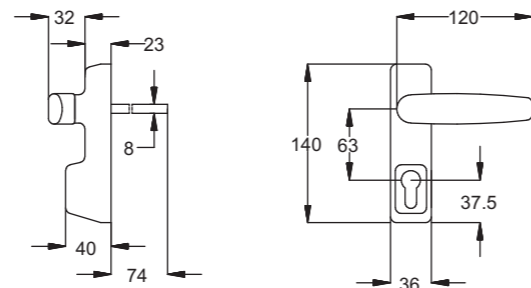


Push bar with **two point** locking using either remote bolts or latches. The 6200 can be supplied reversible or handed. Remote bolt arrangements are mostly confined to the slave leaf of a pair. It is unusual for a single door to be fitted with two point latches.



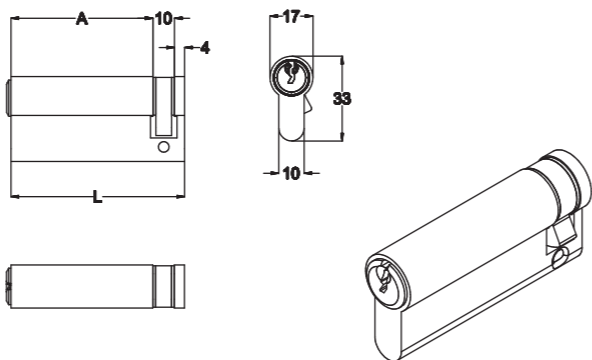
Push bar with **three point** locking using centre latch and remote bolts or latches. The 6200 can be supplied reversible or handed. The reversible arrangement is the most flexible emergency exit device in the 6200 range. The active leaf on a pair of rebated doors normally feature remote latches. We recommend that square edged doors have bolts throughout.

Lever cylinder



The 6200 series emergency exit devices can be operated from the outside with the lever cylinder accessory kit. A 74mm long 8mm square spindle is driven by an encapsulated half cylinder and locates into a cast follower inside the 6200 steel casing. Spindle length can be reduced to suit doors of slender thickness. It is possible to accommodate door thickness' from 40mm to maximum 85mm.

Cylinder only

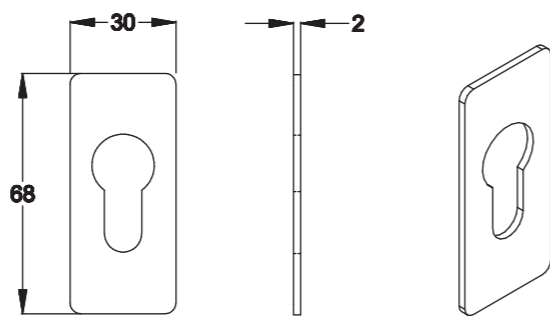


Should the outside lever be inappropriate or not required, simply remove the cast follower factory fitted in the 6200 casing and select the recommended cylinder length depending on door thickness as follows.

PART No.	L mm.	A mm.	Door Thickness
PB0398	70	56	40-49
PB0400	80	66	50-59
PB0402	96	82	60-75
PB0404	106	92	76-85

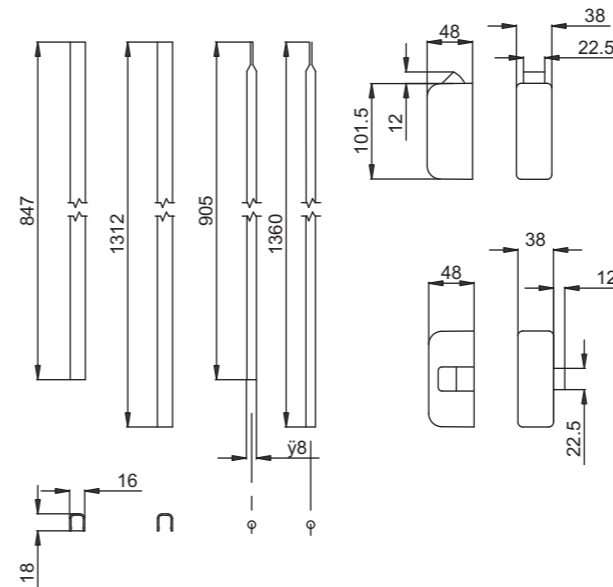
"Brass finished cylinders available on request."

Optional self adhesive escutcheon



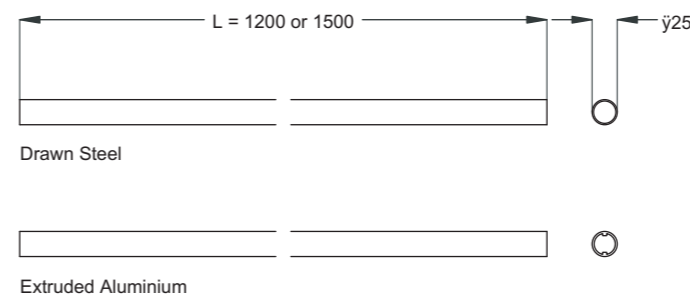
An optional self adhesive escutcheon, part no FD/11, is available finished PC white, black or anodised silver to complete the installation.

Remote bolts & latches. Control rods & covers



With the accent on neatness, the OMEC 8mm Dia. plated steel control rods are concealed inside extruded aluminium 'U' channels that locate in special recesses in both the steel push bar casing and the remote bolt/latch casing. These aluminium covers clip over special nylon retainer blocks and fit securely between the steel casings.

Push bars



OMEC 25mm Dia. push bars are produced in extruded anodised aluminium or powder coated drawn steel. Standard issue is steel in lengths of 1200mm & 1500mm, finished Traffic green RAL6024 in accordance with recognised EEC requirements.

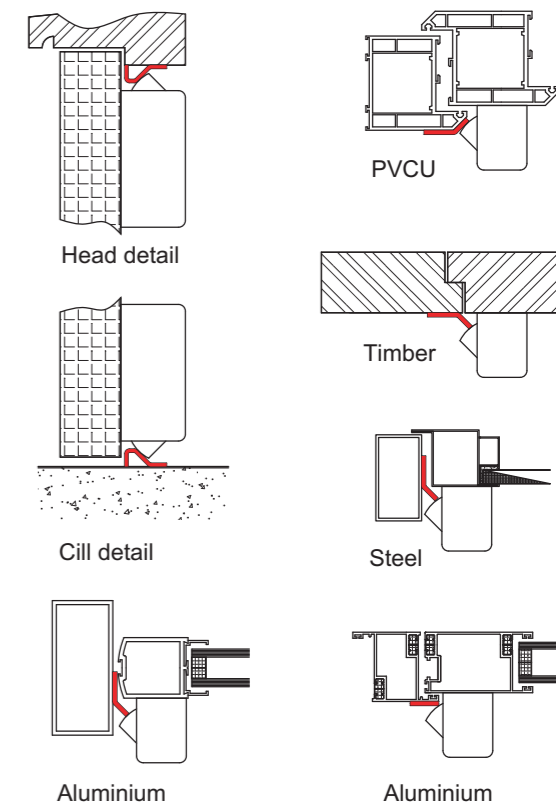
Alternative push pad

As an alternative to the conventional push bar, OMEC offer a neat 95mm square black pad with a photo luminescent green on cream insert. The pad can be used in all configurations removing the need for a push bar and idler.

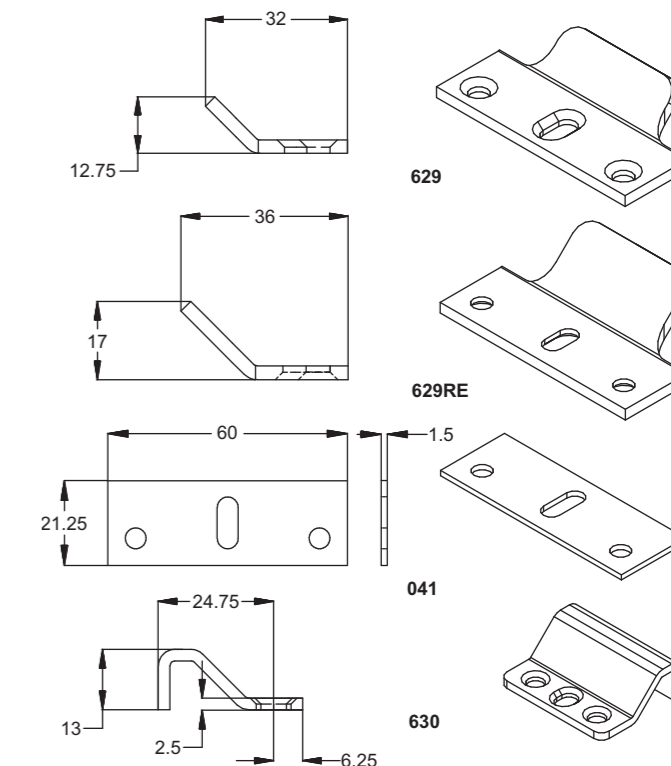


NB. At the time of printing this product did not comply to CE requirements.

Striker applications



The standard range of steel strikers are designed to accommodate most types of conventional hinged or pivoted doors. Standard finish is powder coated satin black.



In the event that the above strikers are incompatible with your profiles, we have workshop facilities to design and fabricate purpose made accessories. Prices and availability are subject to quantities and complexity.