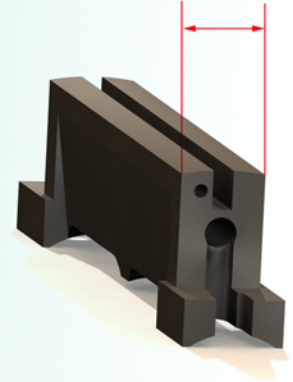




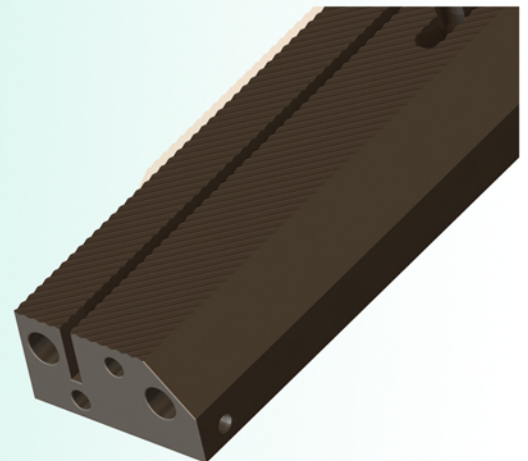
Precision Engineering Ltd

Unit A, Crystal Works, Wormald Street, Heckmondwike, West Yorkshire WF15 7JE
Phone +44 (0) 1924 407768 Fax +44 (0) 1924 407688 Email enquiries@dsp-eng.com

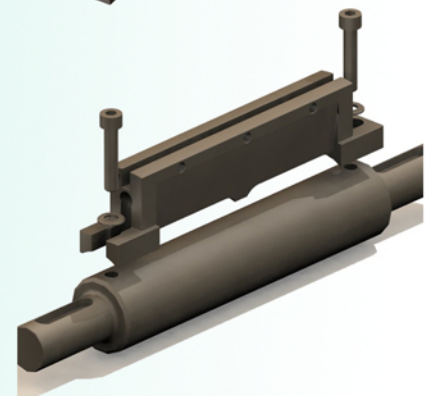
Overall Face Width:- Includes the width of each face as well as the knife slot.



Diagonal Direction -
(Only Manufactured in Flat Jaws)



Method Of Mounting:- Crimp jaw clear holes / slots.



Method Of Mounting:- Tapped holes in Crimp Jaw

