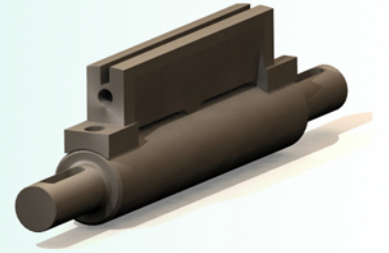




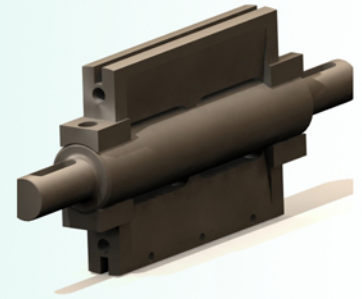
# Precision Engineering Ltd

Unit A, Crystal Works, Wormald Street, Heckmondwike, West Yorkshire WF15 7JE  
Phone +44 (0) 1924 407768 Fax +44 (0) 1924 407688 Email enquiries@dsp-eng.com

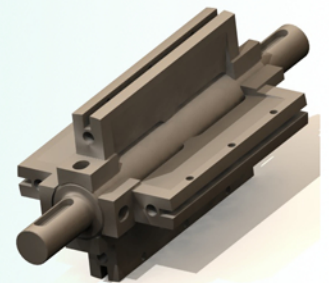
One - Up Head:- One Crimp / Jaw mounted on each shaft.



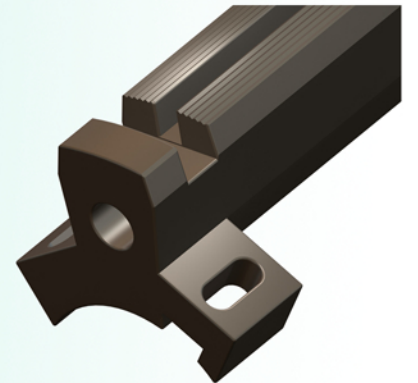
Two - Up Head:- Two Crimp / Jaws mounted on each shaft.



Four - Up Head:- Four crimp / Jaws mounted on each shaft



Horizontal Direction- Crimp Profile is Transverse across the bag.



Vertical Direction:- Crimp Profile is in line with the Bag

