

Uniclass	EPIC
L384:P314:D32	C441:X342
CI/SfB	
32	(22.3) Xo



Polar Partitioning

Love the space you're in.

Komfort Workspace, our products, and you.

Our aim is to provide you, our customers with an unprecedented range of products and services.

"The space within becomes the reality of the building" - Frank Lloyd Wright

Every interior is unique. Its design has direct impact on individuals and the success of any business. This makes it so important to source the most compatible products for appearance, use of space and functionality.

We continue our on-going innovation in product design. Our partitions achieve high fire, acoustic and structural performance through stringent testing. This guarantees the safest and widest product offering for the UK's Commercial Interiors Sector. We ensure that all products are assembled and installed by professionals to the highest quality.

Komfort's Polar partitions are stylish, dynamic and technologically sophisticated. They allow light to permeate through the space they divide to nurture inspiration and collaborative working.



Partitioning Performance Comparison Chart

This fold-out chart enables you to easily compare the performance specifications and options for each of our partitioning systems shown.

This page can be folded out and viewed next to each of the technical drawing double page spreads to give you an instant visual overview of each partitioning systems construction method and junction drawings alongside the relevant performance specifications.

For further technical specifications and technical drawing downloads visit

komfort.com

POLAR Partitioning



Contents

Polar Single Glazed	04
Polar Double Glazed	18
Polar Vision	32
PolarTec	46
Polar 100	56
Confluence	64
Polar SG featuring Workwall	72
Glass Doors	80
Blinds & Graphics	90
Integral Blinds	92
Graphics	93
Manifestation	94
SwitchGlass	96
The Kompendium	98
Services	102
Partitioning Performance Comparison Chart	Inside Back Cover

Full height faceted single glazed Polar incorporating single glazed doors within standard height SJ35 doorframes and glazed overpanel



POLAR Single Glazed

Polar partitioning product comparison chart can be found on the inside back cover of this brochure

clarity

Full height single glazed Polar incorporating pivot single glazed doors with patch fixings and glazed overpanel

POLAR
Single Glazed



Full height heat soak treated
single glazed Polar to the edge
of the mezzanine floor

POLAR
Single Glazed



POLAR
Single Glazed

Full height single
glazed Polar
with full height
double timber
doors and frames




Angled single glazed
Polar to ground floor
and mezzanine


POLAR Single Glazed

Polar single glazed is a frameless dry
or silicon vertical jointed system


Technical spec at a glance


 **DIMENSIONS:**
Up to 3300mm high

 **FIRE RATINGS:**
Up to 30/30

 **ACOUSTICS:**
Up to 38dB (Rw)

 **STRUCTURE:**
Up to severe duty

 **DEFLECTION HEAD (+/-):**
YES

 **WEIGHT Per m² (kg):**
Up to 37.53

 **BLINDS:**
N/A

 **MANIFESTATION:**
Yes

Detailed Polar Single Glazed drawings can be found
on pages 16-17. In addition a partitioning product
comparison chart can be found on the inside back
cover of this brochure.

For further technical specifications and technical
drawing downloads go to - www.komfort.com

Curved single glazed
Polar with banded
manifestation



Available in straight striking lines, facets, or the most graceful curves, Polar's minimalist form exudes elegance and luxury in all kinds of surroundings.

POLAR Single Glazed



Full height single glazed Polar



Faceted single glazed Polar
incorporating standard height
Manet sliding glass door



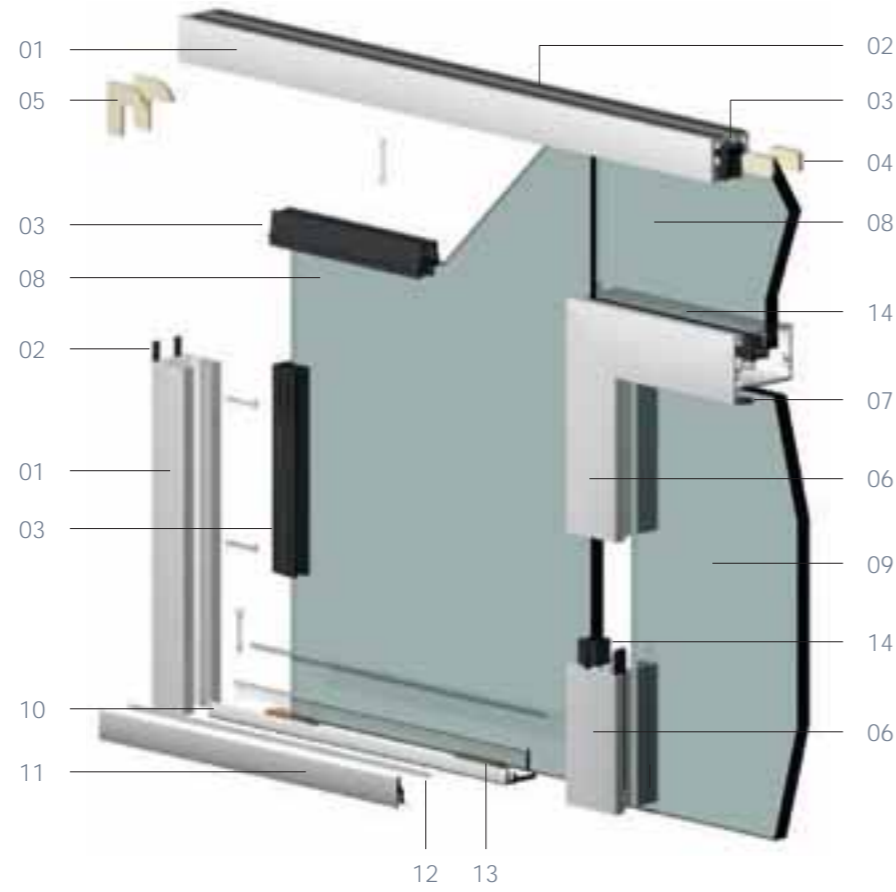
Full height curved single glazed Polar
incorporating bespoke manifestation

POLAR Single Glazed

Isometric and Junction Details

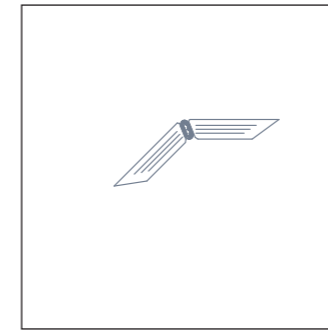
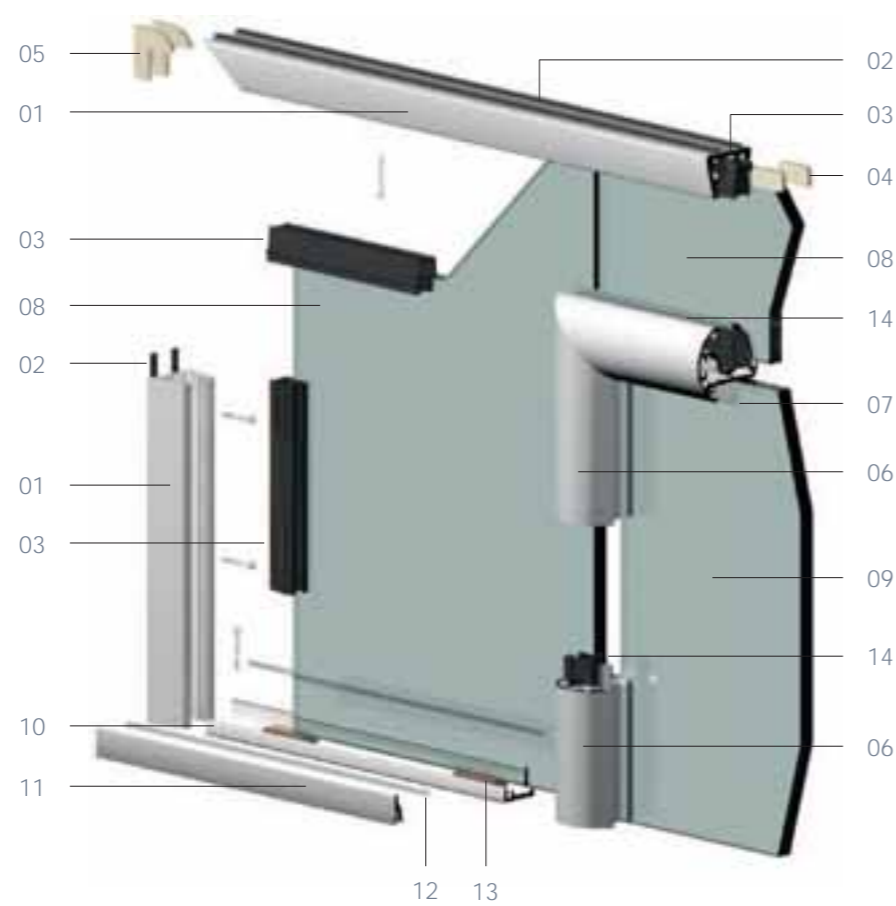
Polar Single Glazed partitioning system

- 01 Head / abutment channel
- 02 Abutment seal
- 03 PVCu glazing channel
- 04 Straight jointing cleat
- 05 90° jointing cleat
- 06 Aluminium door frame flat profile
- 07 Door frame seal
- 08 10/12mm toughened safety glass
- 09 10mm / 12mm toughened safety glass door
- 10 Base channel
- 11 Base channel leg
- 12 Glazing bead
- 13 Glass packer
- 14 Door frame glazing channel

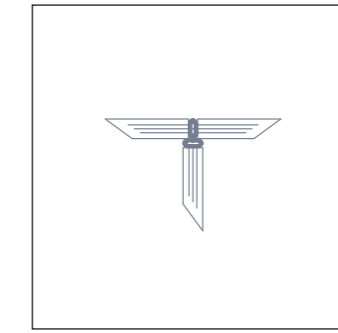


Polar Single Glazed partitioning system

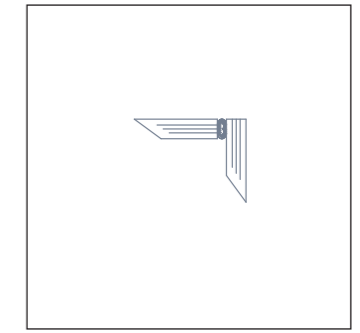
- 01 Head / abutment channel
- 02 Abutment seal
- 03 PVCu glazing channel
- 04 Straight jointing cleat
- 05 90° jointing cleat
- 06 Aluminium door frame round profile
- 07 Door frame seal
- 08 10/12mm toughened safety glass
- 09 10mm / 12mm toughened safety glass door
- 10 Base channel
- 11 Base channel leg
- 12 Glazing bead
- 13 Glass packer
- 14 Door frame glazing channel



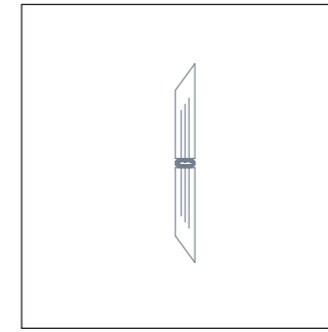
135° glazed junction



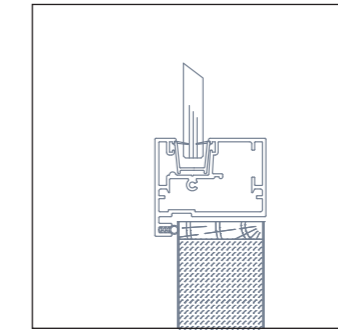
3 way glazed junction



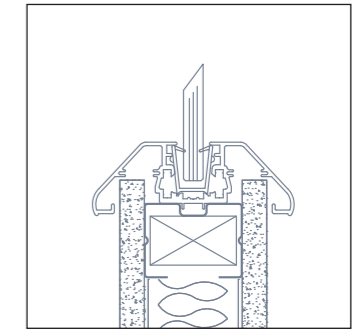
90° glazed junction



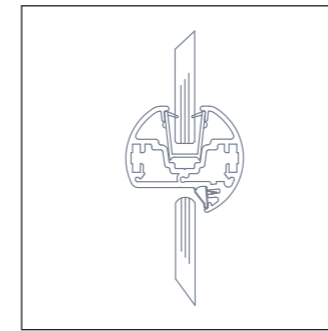
Glazed to glazed junction



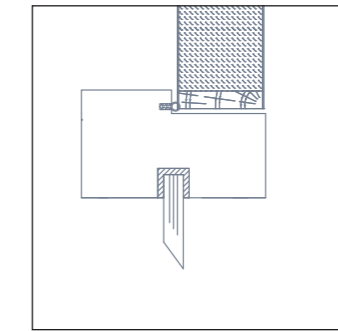
Glazed to aluminium door frame with timber door



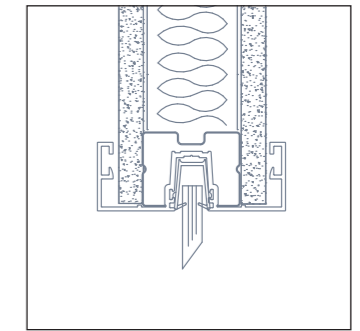
Reducer post from 75mm plasterboard partition system



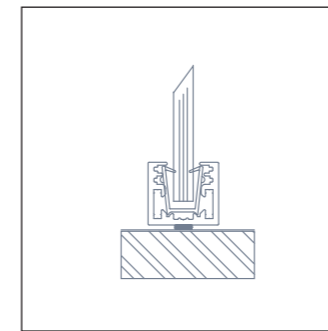
Glazed to halo aluminium door frame with glass door



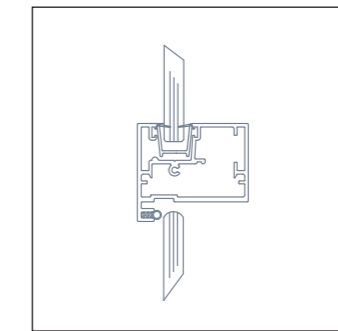
Glazed to timber door frame with timber door



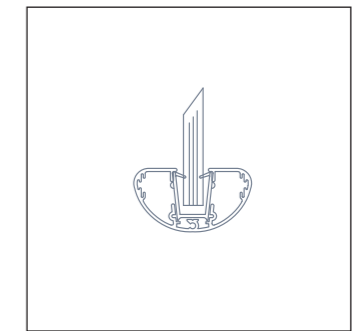
Glazing pocket from 75mm plasterboard partition system



Glazed abutment



Glazed to aluminium door frame with glass door



Glazed fair end

These drawings are for guidance only. For comprehensive information please contact our technical department

Double glazed Polar with full height DGP25 doorframe and veneered door



POLAR Double Glazed



Polar partitioning product comparison chart can be found on the inside back cover of this brochure

chic

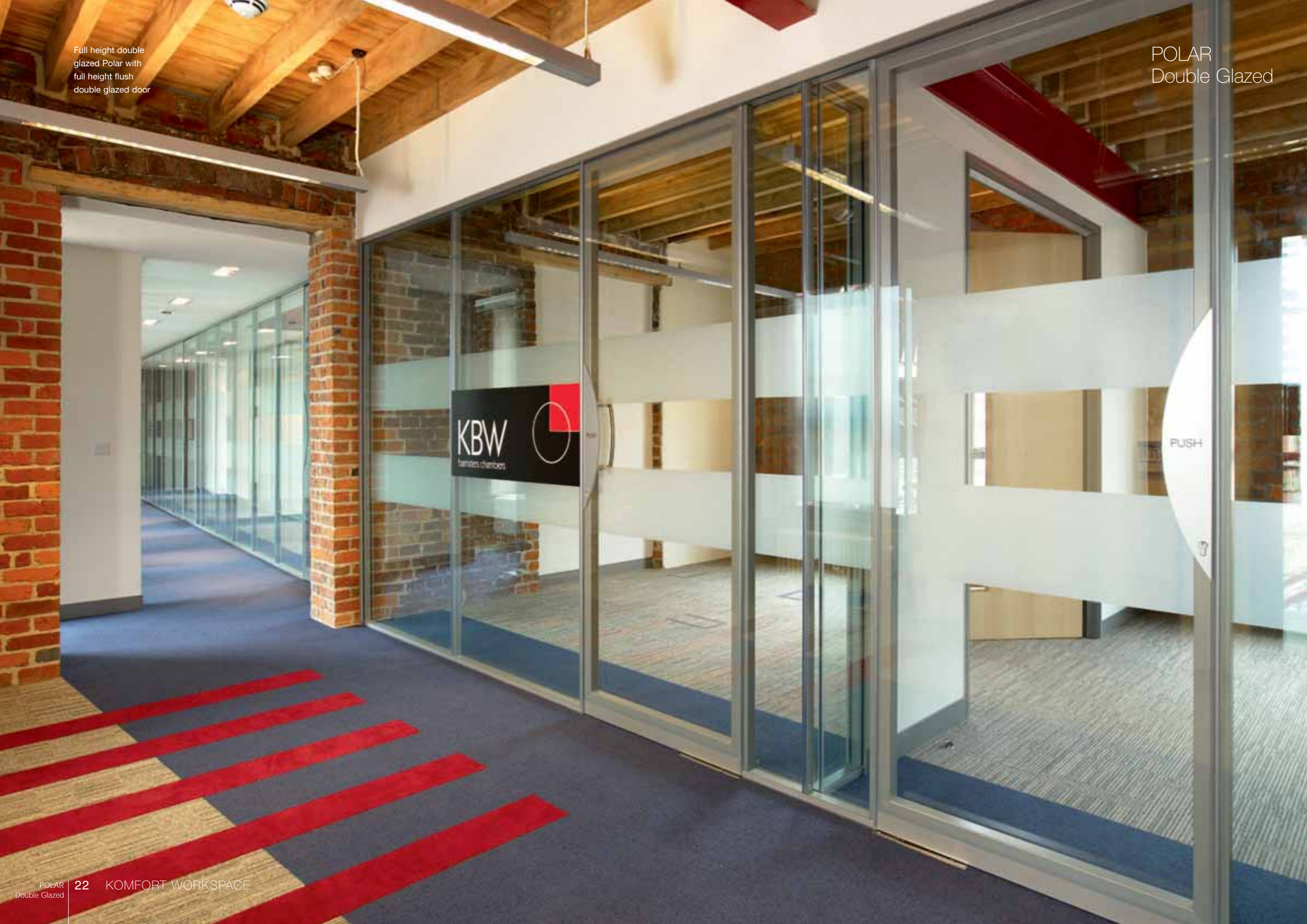
Full height double glazed Polar
incorporating single glazed doors
within full height Halo doorframes

POLAR
Double Glazed



Full height double glazed Polar with full height flush double glazed door

POLAR
Double Glazed



KBW
business chambers

PUSH

Full height double glazed Polar with integral blinds featuring standard height timber doors and rebated overpanel within full height Halo doorframes

POLAR
Double Glazed





Full height faceted double glazed Polar


POLAR Double Glazed

Polar double glazed is a frameless dry vertical jointed system with ghost post mullions


Technical spec at a glance


 **DIMENSIONS:**
Up to 3300mm high


 **FIRE RATINGS:**
N/A


 **ACOUSTICS:**
Up to 49dB (Rw)

 **STRUCTURE:**
Up to severe duty

 **DEFLECTION HEAD (+/-):**
YES

 **WEIGHT Per m² (kg):**
Up to 60.36

 **BLINDS:**
Yes - integral

 **MANIFESTATION:**
Yes

Detailed Polar Double Glazed drawings can be found on pages 30-31. In addition a partitioning product comparison chart can be found on the inside back cover of this brochure.

For further technical specifications and technical drawing downloads go to - www.komfort.com

Full height double glazed Polar incorporating full height DGP25 doorframe containing veneered door and rebated overpanel. To the left of the door is Polar Vision with Polar single glazed at the end of the run

The discreet mullions and framework of double glazed Polar combine contemporary aesthetics, elegance and durability. A tried and tested system that creates a stunning look in any working environment.

POLAR Double Glazed



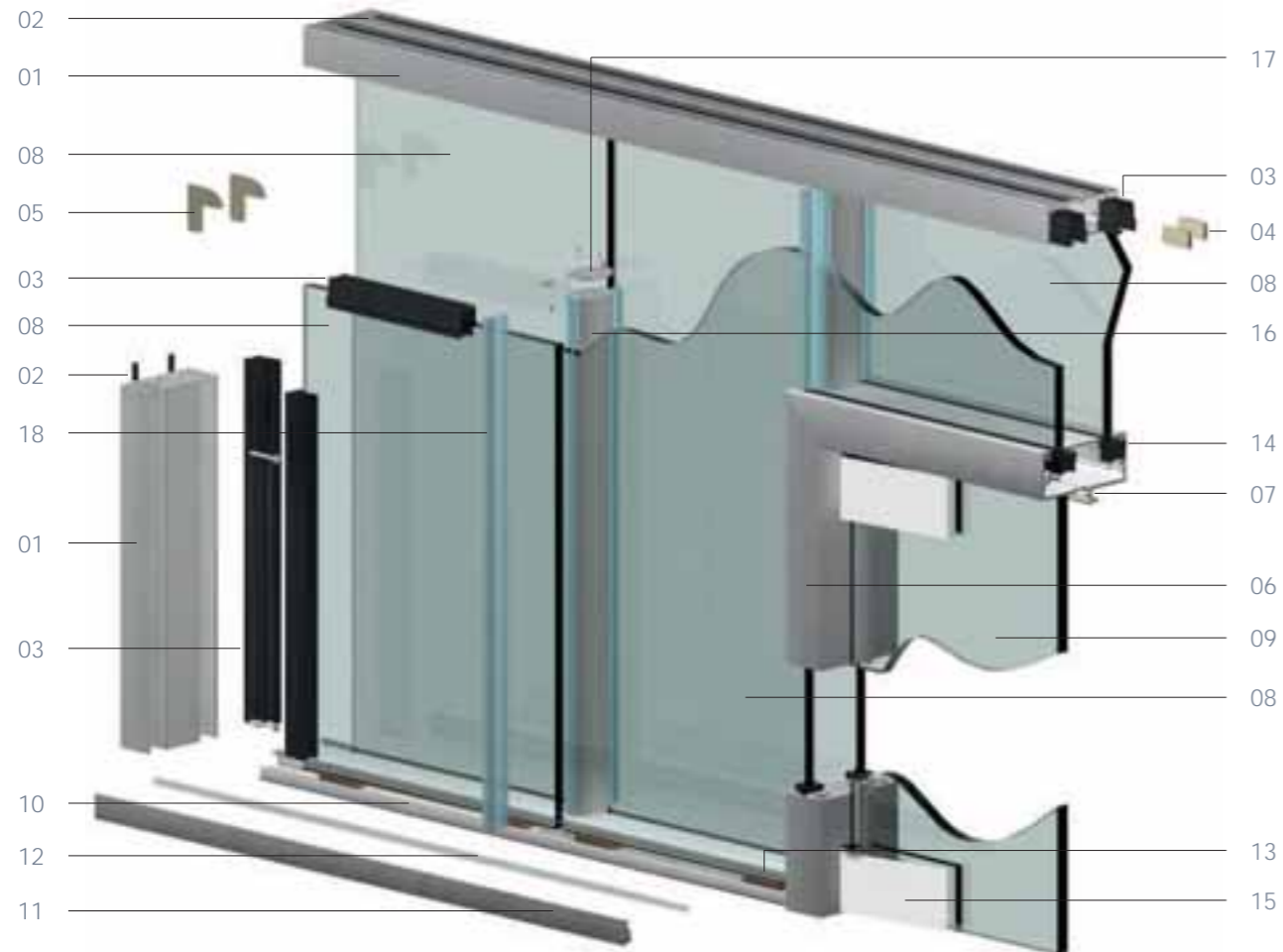
Full height double glazed Polar with bespoke manifestation



Full height double glazed Polar with standard height halo doorframe, double glazed overpanel and glass door

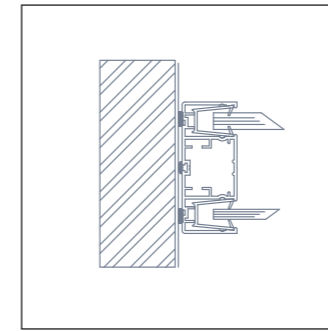


Full height double glazed Polar with banded manifestation

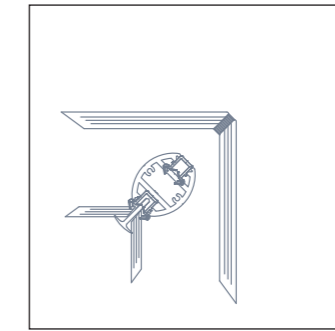


Polar Double Glazed - partitioning system

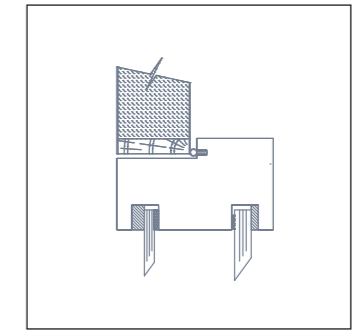
- | | | |
|-----------------------------------|---|------------------------------|
| 01 Head /abutment channel | 09 10mm /12mm toughened safety glass door | 16 Ghost post |
| 02 Abutment seal | 10 Base channel | 17 Ghost post securing plate |
| 03 PVCu glazing channel | 11 Base channel leg | 18 Glass securing nail |
| 04 Straight jointing cleat | 12 Glazing bead | |
| 05 90° jointing cleat | 13 Glass packer | |
| 06 Aluminium door frame | 14 Door frame glazing channel | |
| 07 Door frame seal | 15 Pivot patch fitting | |
| 08 10/12mm toughened safety glass | | |



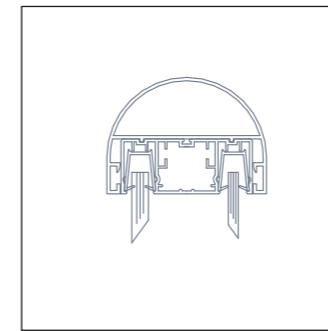
Glazed abutment



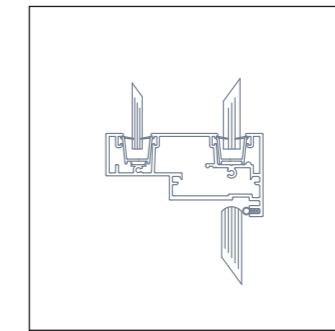
90° glazed junction



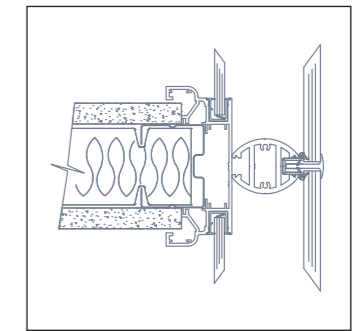
Glazed to timber door frame with timber door



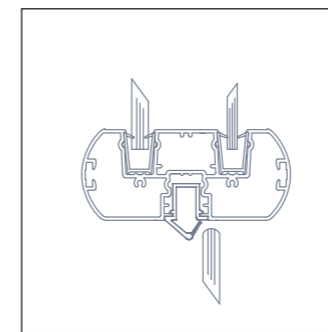
Glazed fair end



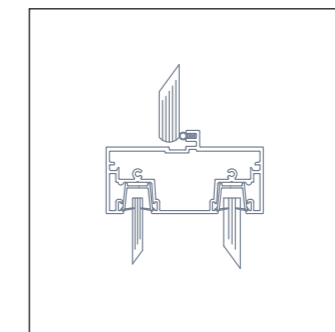
Glazed to aluminium door frame with flush door stop and glass door



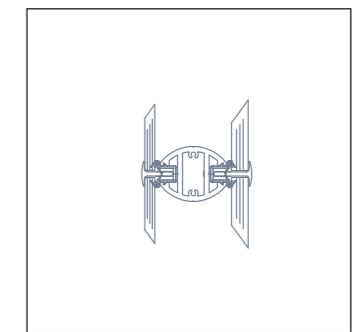
3 way glazed to solid to glazed junction



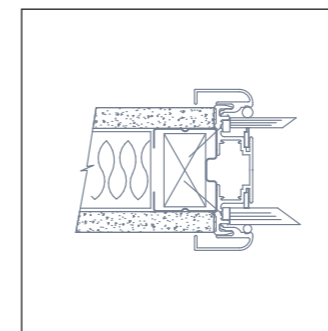
Glazed to halo aluminium door frame with glass door



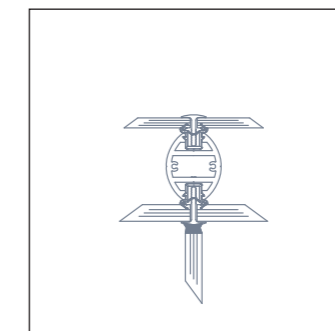
Glazed to aluminium door frame with central door stop and glass door



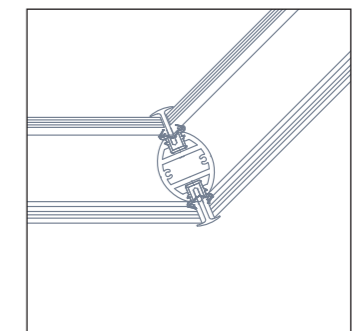
Glazed to glazed junction



Glazing to 75mm plasterboard partition system



3 way double glazed to single glazed



135° glazed junction

These drawings are for guidance only. For comprehensive information please contact our technical department

Faceted Polar Vision with full height applied graphics



POLAR Vision



Polar partitioning product comparison chart can be found on the inside back cover of this brochure

intrigue



Full height Polar Vision with striking
bespoke manifestation

POLAR Vision






Full height Polar Vision incorporating timber panels


POLAR Vision

Polar Vision is a frameless dry vertical jointed system


Technical spec at a glance

 **DIMENSIONS:**
Up to 3000mm high


 **FIRE RATINGS:**
Up to 30/30


 **ACOUSTICS:**
Up to 48dB (Rw)

 **STRUCTURE:**
Up to heavy duty

 **DEFLECTION HEAD (+/-):**
YES

 **WEIGHT Per m² (kg):**
Up to 55.36

 **BLINDS:**
N/A

 **MANIFESTATION:**
Yes

Detailed Polar Vision drawings can be found on pages 44-45. In addition a partitioning product comparison chart can be found on the inside back cover of this brochure.

For further technical specifications and technical drawing downloads go to - www.komfort.com

Full height Polar Vision creating a meeting area



Inspiration and innovation reach new heights with Polar Vision. Its minimal form, confident lines and unrestricted views deliver opulence and exclusivity in any office.

POLAR Vision



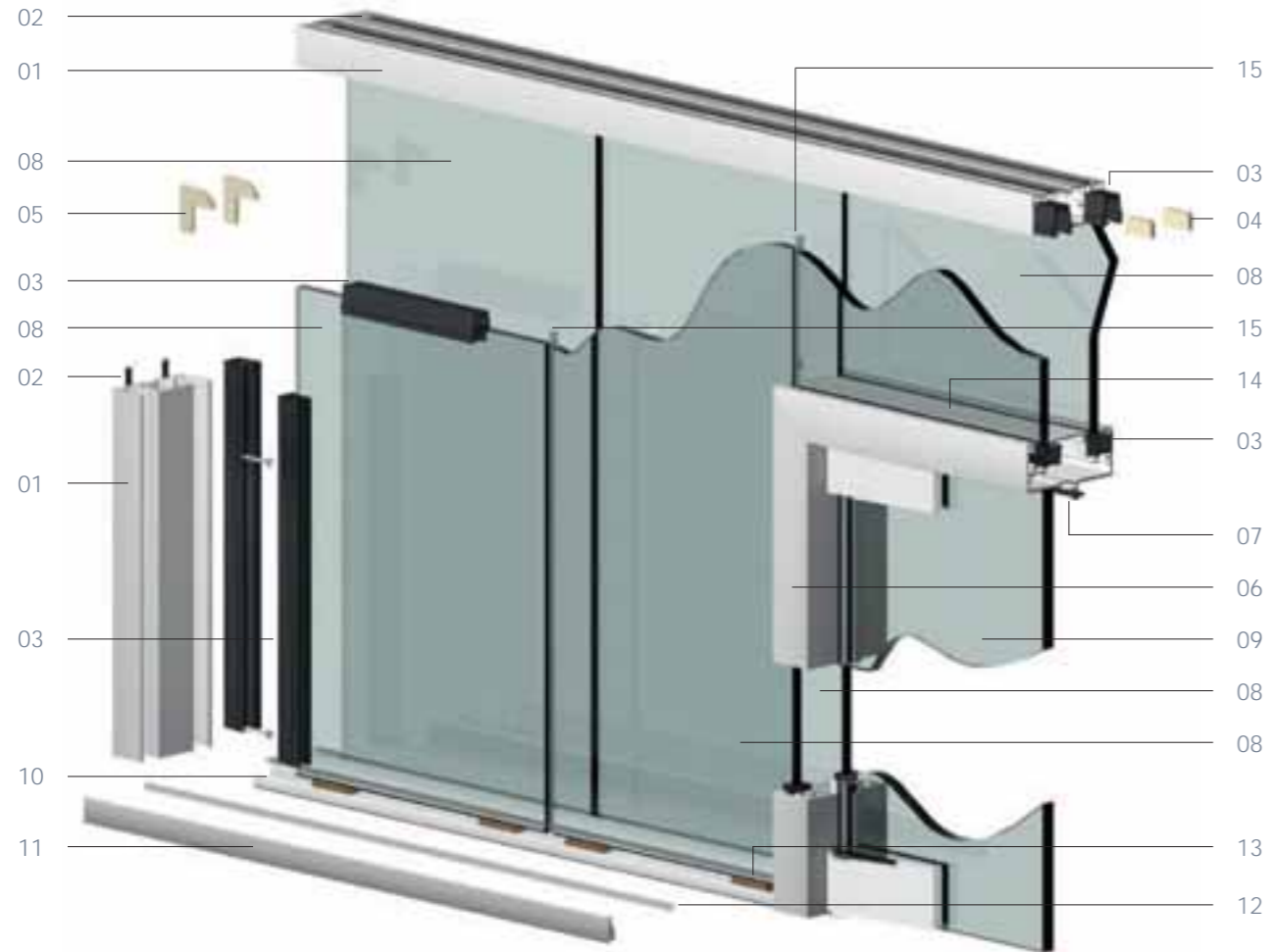
Full height Polar Vision with full height Halo double doorframe incorporating glass doors with patch hinges



Faceted and straight Polar Vision with full height timber doorframe incorporating standard height veneered door and rebated overpanel

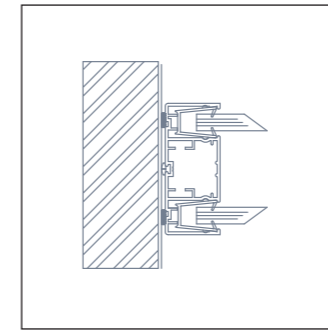


Polar Vision with full height flush double glazed doors with Part M compliant dot manifestation

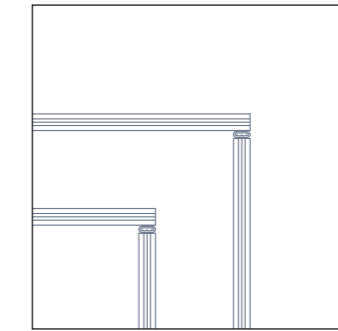


Polar Vision - double glazed partitioning system

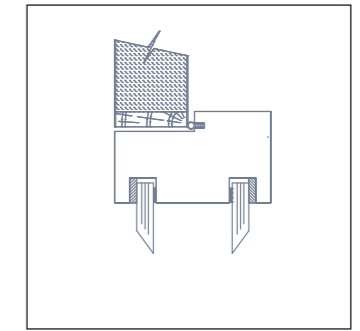
- | | | |
|----------------------------|--|--|
| 01 Head / abutment channel | 08 10/12mm toughened safety glass | 13 Glass packer |
| 02 Abutment seal | 09 10/12mm toughened safety glass door | 14 Door frame glazing channel |
| 03 PVCu glazing channel | 10 Base channel | 15 Self adhesive translucent glazing joint |
| 04 Straight jointing cleat | 11 Base channel leg | |
| 05 90° jointing cleat | 12 Glazing bead | |
| 06 Aluminium door frame | | |
| 07 Door frame seal | | |



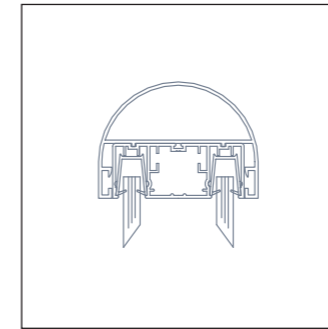
Glazed abutment



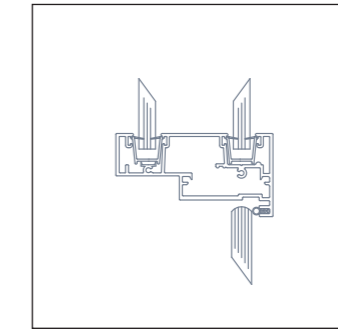
90° glazed junction



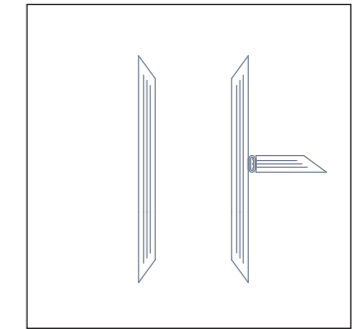
Glazed to timber door frame with timber door



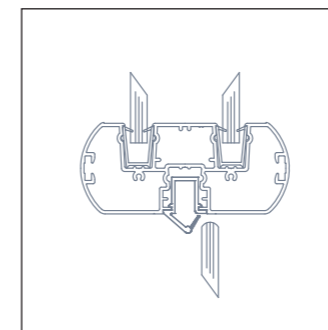
Glazed fair end



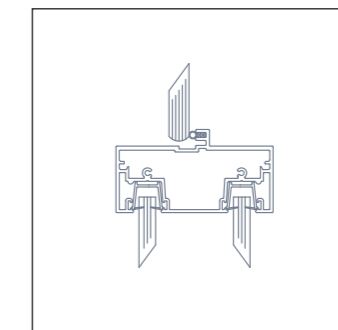
Glazed to aluminium door frame with flush door stop and glass door



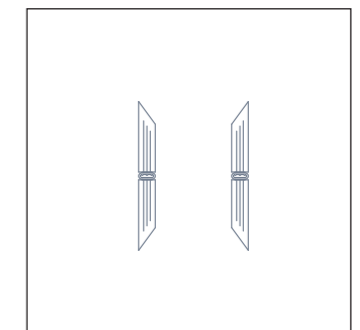
3 way double glazed to single glazed junction



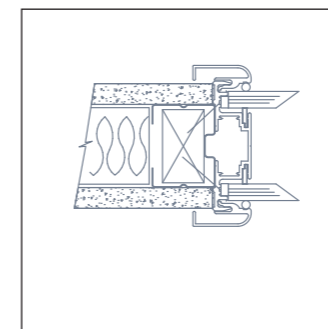
Glazed to halo aluminium door frame with glass door



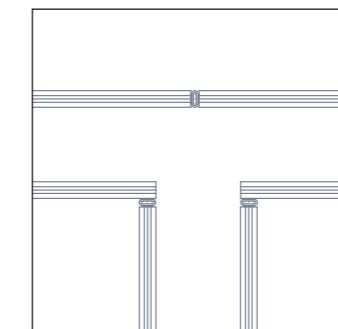
Glazed to aluminium door frame with central door stop and glass door



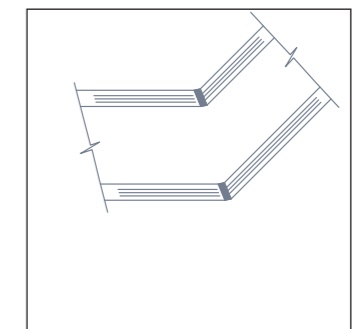
Glazed to glazed junction



Glazing to 75mm plasterboard partition system



3 way double glazed junction



135° glazed junction

These drawings are for guidance only. For comprehensive information please contact our technical department

Full height faceted PolarTec with applied graphics



POLAR Tec



Polar partitioning product comparison chart can be found on the inside back cover of this brochure

robust

Full height PolarTec
with applied film
signage

POLAR Tec



Faceted PolarTec
with full height
applied graphics

Communications

POLAR Tec

PolarTec is a frameless dry vertical jointed system with deflection head


Technical spec at a glance


 **DIMENSIONS:**
Up to 3000mm high

 **FIRE RATINGS:**
Up to 30/30


 **ACOUSTICS:**
Up to 48dB (Rw)

 **STRUCTURE:**
Up to heavy duty

 **DEFLECTION HEAD (+/-):**
YES

 **WEIGHT Per m² (kg):**
Up to 55.36

 **BLINDS:**
N/A

 **MANIFESTATION:**
Yes

Detailed PolarTec drawings can be found on pages 54-55. In addition a partitioning product comparison chart can be found on the inside back cover of this brochure.

For further technical specifications and technical drawing downloads go to - www.komfort.com



Displaying the breathtaking appearance of its contemporaries, PolarTec provides the added security of outstanding performance for those exceptionally demanding applications.

POLAR Tec



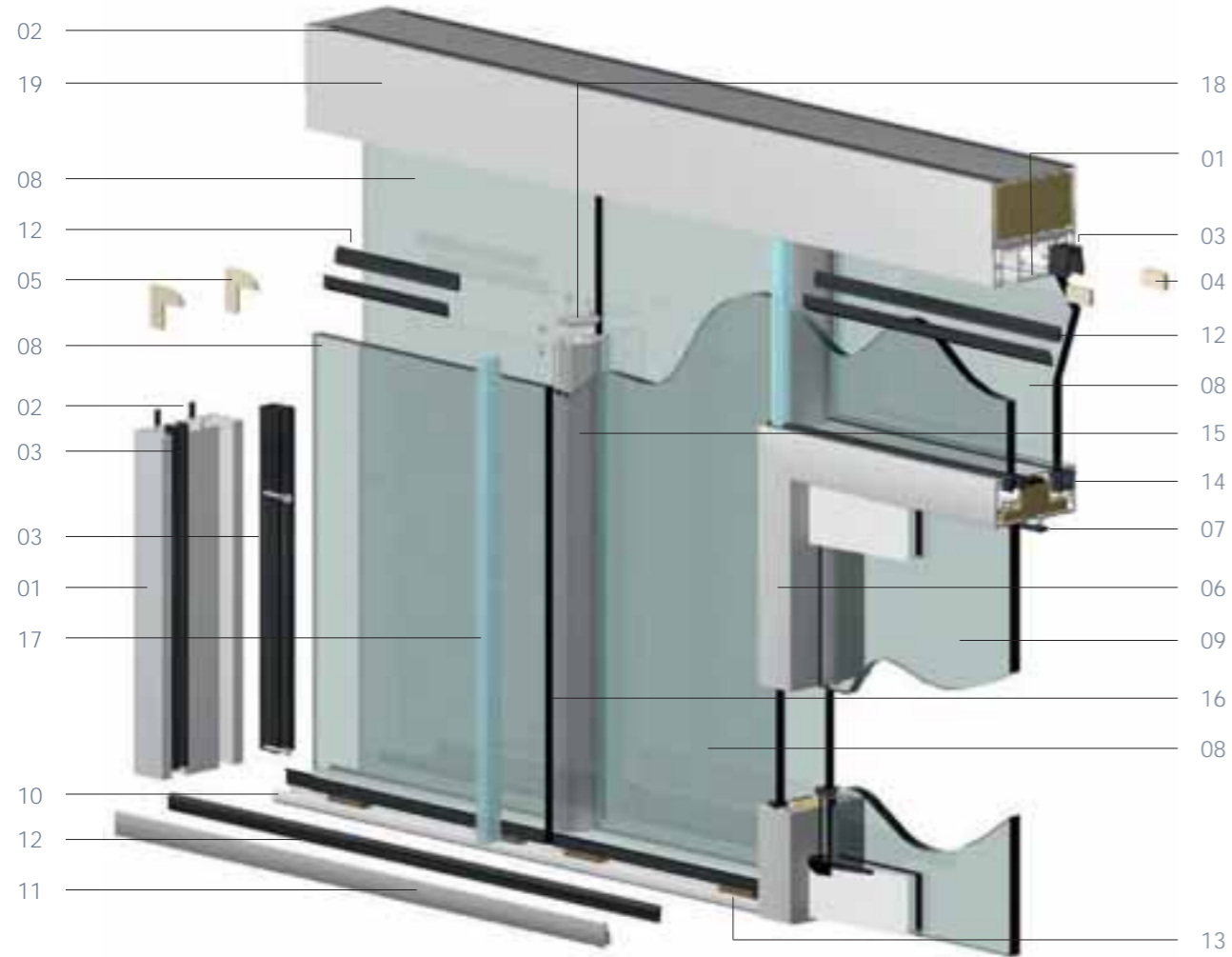
Full height PolarTec



Full height faceted PolarTec with applied graphics

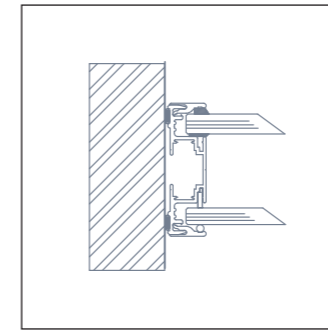


Full height PolarTec with dotted applied manifestation

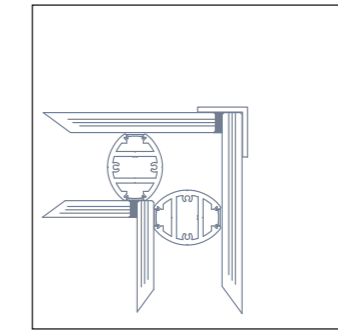


PolarTec - double glazed partitioning system

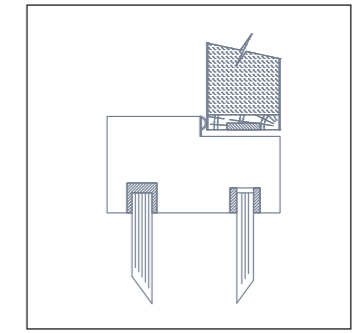
- | | | |
|----------------------------|--|----------------------------------|
| 01 Head /abutment channel | 08 10/12mm toughened safety glass | 13 Glass packer |
| 02 Abutment seal | 09 10/12mm toughened safety glass door | 14 Door frame glazing channel |
| 03 PVCu glazing channel | 10 Base channel | 15 Ghost post |
| 04 Straight jointing cleat | 11 Base channel leg | 16 Plastic glazing joint pocket |
| 05 90° jointing cleat | 12 Glazing bead | 17 Plastic glazing joint nail |
| 06 Aluminium door frame | | 18 Ghost post fixing plate |
| 07 Door frame seal | | 19 Outer deflection head channel |



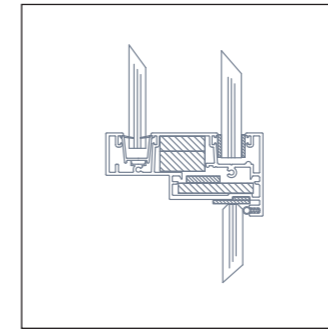
Glazed breakdown abutment



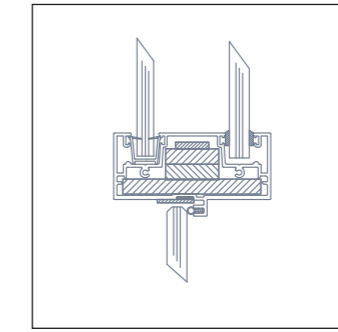
90° external glazed junction



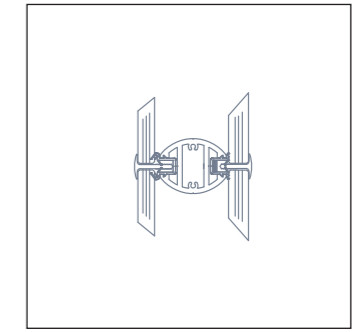
Glazed to timber door frame with timber door



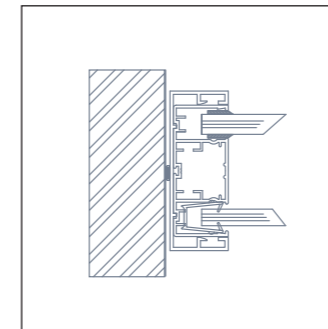
Glazed to aluminium door frame with flush door stop and glass door



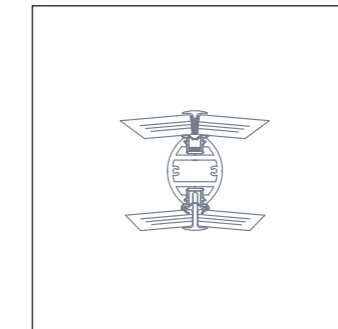
Glazed to aluminium door frame with central door stop and glass door



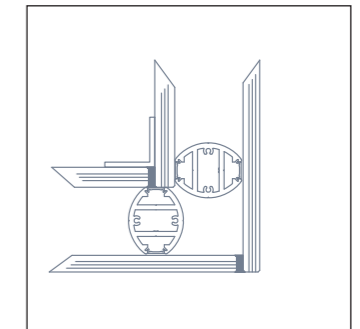
Glazed to glazed junction



Glazing abutment



10° faceted glazed junction



90° internal glazed junction

Full height Polar 100 incorporating glazing with solid elements and full height PSQ4 Polar 100 doorframe containing a full height door with vision panels

POLAR 100

Polar partitioning product comparison chart can be found on the inside back cover of this brochure











sleek

Full height Polar 100
solid panels integrating
with double glazed Polar

POLAR 100

Polar 100 is a seamless (taped and filled or skimmed) solid partition and frameless glazed dry or silicon vertical jointed system

Technical spec at a glance

-  **DIMENSIONS:**
Up to 3000mm high
-  **FIRE RATINGS:**
Contact our technical department
-  **ACOUSTICS:**
Solid - up to 50dB (Rw)
Double Glazed - up to 48dB (Rw)
-  **STRUCTURE:**
Up to severe duty
-  **DEFLECTION HEAD (+/-):**
YES
-  **WEIGHT Per m² (kg):**
Solid up to 46.08
Glazed up to 53.85
-  **BLINDS:**
Yes - integral
-  **MANIFESTATION:**
Yes

Detailed Polar 100 drawings can be found on pages 62-63. In addition a partitioning product comparison chart can be found on the inside back cover of this brochure.

For further technical specifications and technical drawing downloads go to - www.komfort.com

Full height double glazed Polar 100 with dado height solid sections and PSQ4 doorframe



Ingenious and versatile, this sought after system combines single glazed, double glazed and solid elements to accommodate full integration and produce a streamlined effect.

POLAR 100



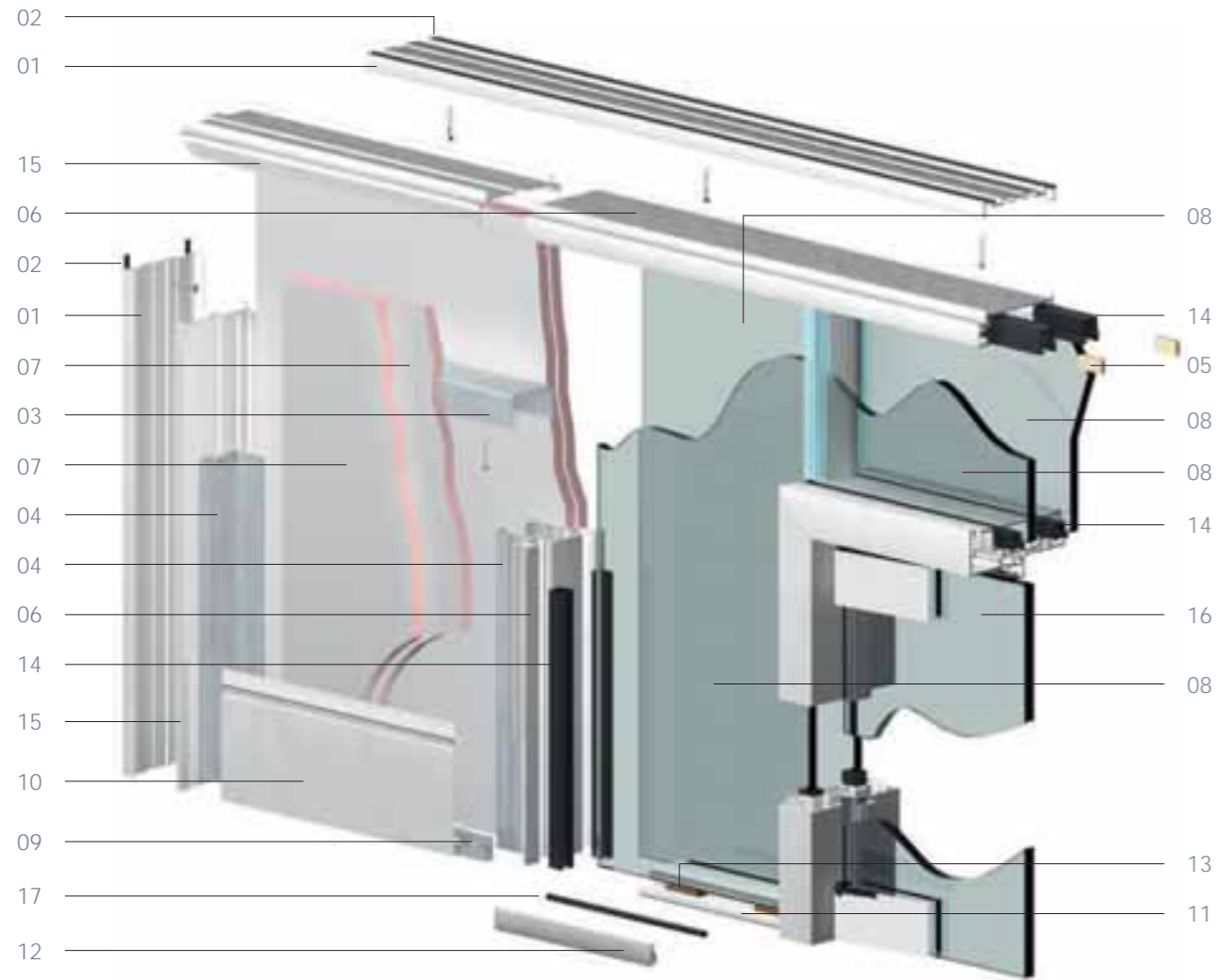
Polar 100 PSQ4 doorframe containing glass door



Full height Polar 100 partitioning with solid and glazed elements

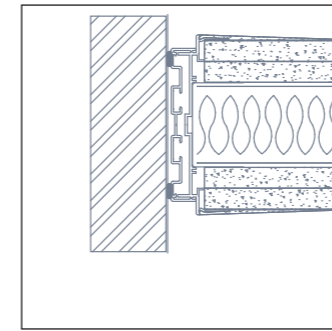


Single glazed Polar partitioning incorporating Polar 100 PSQ4 doorframes and glass doors

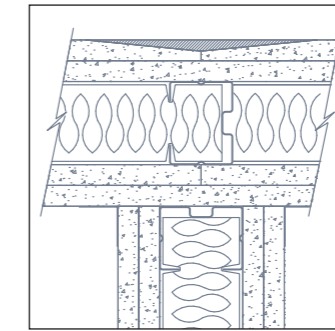


Polar 100 - double glazed partitioning system designed to integrate with solid sections

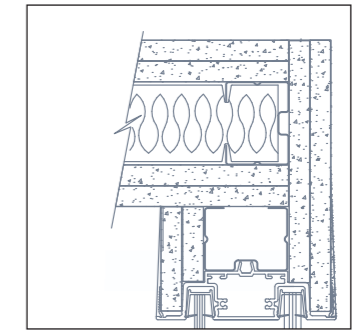
- | | | |
|----------------------------|-----------------------------------|--|
| 01 Head / abutment channel | 08 10/12mm toughened safety glass | 14 PVCu glazing channel |
| 02 Head channel seal | 09 Skirting clip | 15 Plaster edge channel |
| 03 Steel head / base track | 10 100mm skirting | 16 10/12mm toughened safety glass door |
| 04 Steel vertical stud | 11 Base channel | 17 Glazing bead |
| 05 Straight jointing cleat | 12 Base channel leg | |
| 06 Glazing channel | 13 Glass packer | |
| 07 12.5mm plasterboard | | |



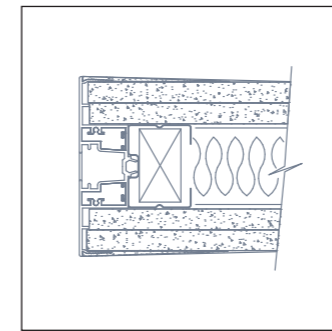
Solid abutment



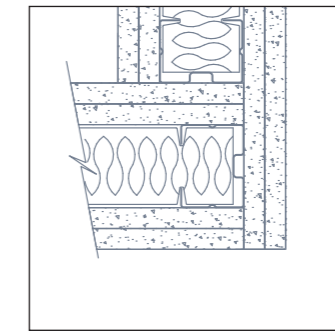
3 way solid junction



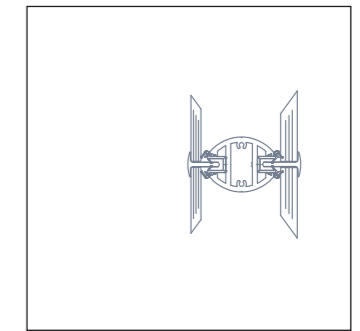
90° solid to glazed junction



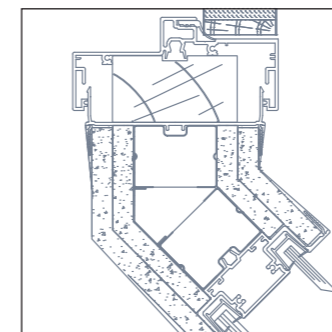
Solid fair end



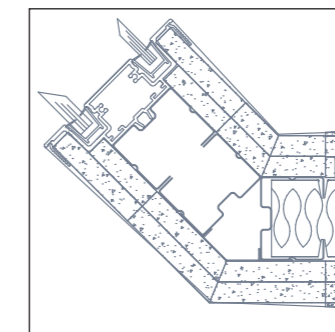
90° solid to solid junction



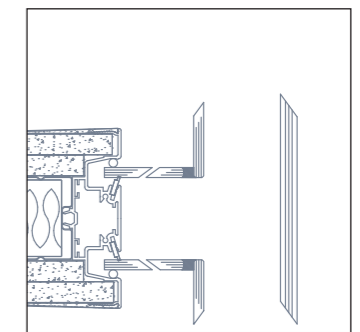
Glazed to glazed junction



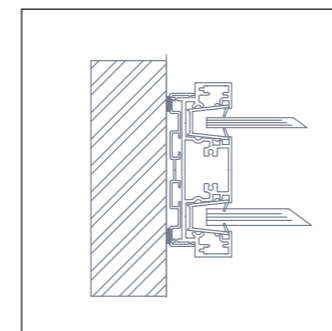
135° glazed to doorset junction



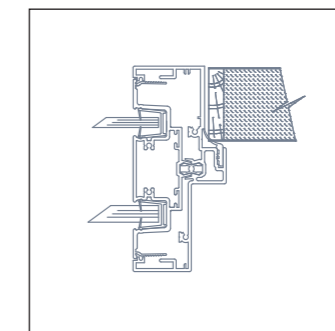
135° solid to glazed junction



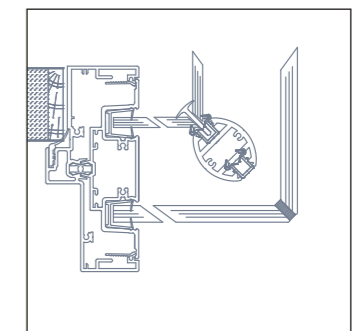
3 way glazed to solid to glazed junction



Glazed abutment



Glazed to doorset junction



90° glazed to doorset junction

Single glazing
within pre-cast
glass pockets
and abutments

Confluence™

confident











Pre cast solid plaster section
incorporating glazing

Confluence™



Confluence provides a seamless monolithic interface between glass and drywall partitions through pre-cast patented solid plaster components

Technical spec at a glance

-  **DIMENSIONS:**
Up to 3000mm high
-  **FIRE RATINGS:**
Up to 30/30
-  **ACOUSTICS:**
Up to 46dB (Rw)
-  **STRUCTURE:**
Contact our technical department
-  **DEFLECTION HEAD (+/-):**
N/A
-  **WEIGHT Per m² (kg):**
Contact our technical department
-  **BLINDS:**
N/A
-  **MANIFESTATION:**
N/A

Detailed Confluence drawings can be found on pages 70-71. In addition a partitioning product comparison chart can be found on the inside back cover of this brochure.

For further technical specifications and technical drawing downloads go to - www.komfort.com

Pre formed abutments with single glazed sections



Confluence creates a flowing transition from glass to solid. Its unique construction creates the precise angles that discerning designers strive for but never find in any other proprietary partitioning system.

Confluence™



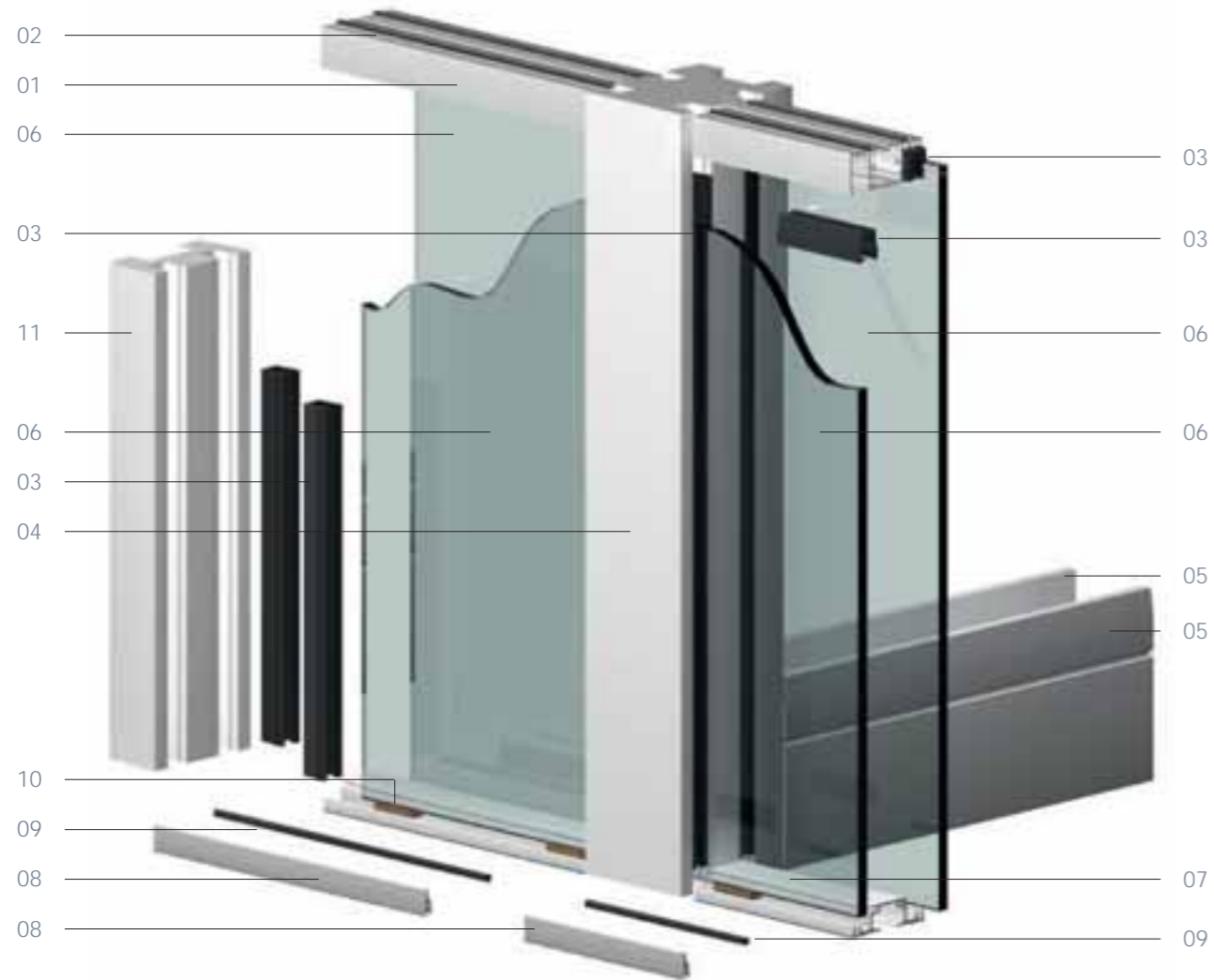
Polar glazing into pre cast plaster glass pocket



Pre cast plaster sections

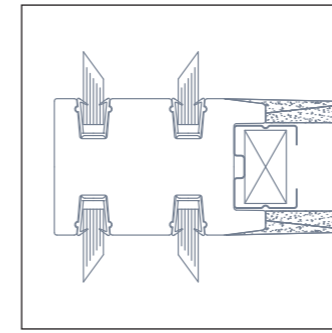


Solid pre cast plaster sections to encase the glass

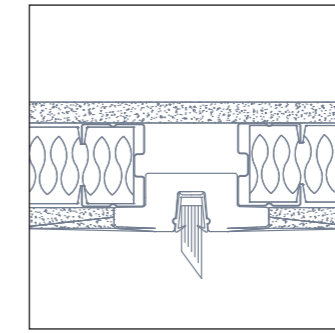


Confluence - double glazed partitioning system

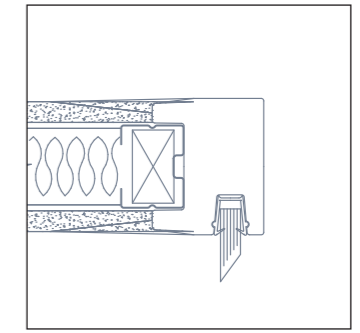
- | | |
|-----------------------------------|-----------------------------|
| 01 Head channel | 07 Base channel |
| 02 Head channel seal | 08 Base channel leg |
| 03 PVCu glazing channel | 09 Glazing bead |
| 04 Plaster glazing mullion | 10 Glass packer |
| 05 Plaster skirting | 11 Plaster abutment channel |
| 06 10/12mm toughened safety glass | |



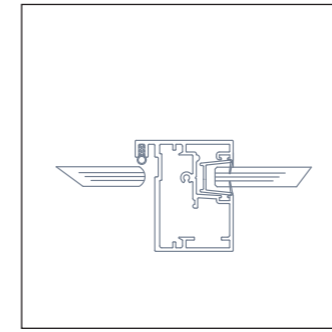
3 way solid to double glazed



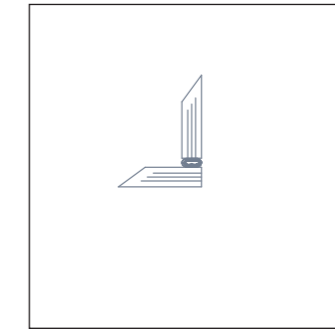
3 way solid to glazed to solid junction



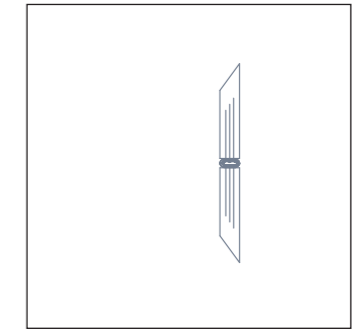
90° solid to glazed junction



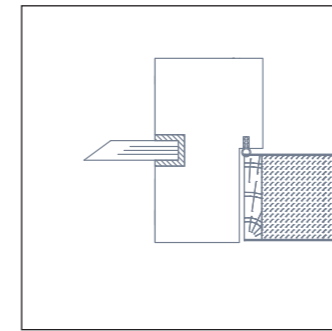
Glazed to aluminium door frame with glass door



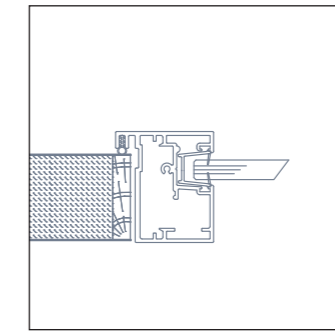
90° glazed junction



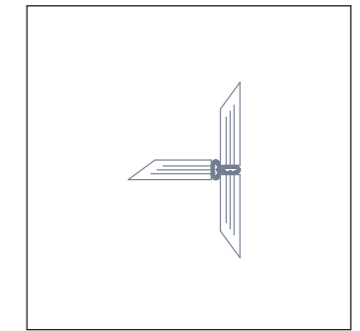
Glazed to glazed junction



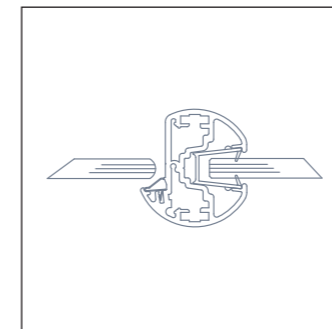
Glazed to timber door frame with timber door



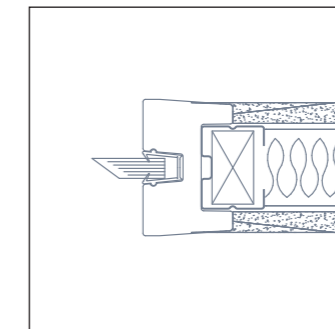
Glazed to aluminium door frame with timber door



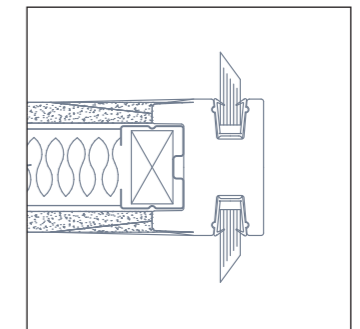
3 way glazed junction



Glazed to halo aluminium door frame with glass door



Glazing pocket from 75mm plasterboard partition system



3 way glazed to solid to glazed junction

These drawings are for guidance only. For comprehensive information please contact our technical department



Single glazed Polar
incorporating veneered
and fabric Workwall



POLAR Single Glazed featuring Workwall

effective

POLAR
Single Glazed
featuring Workwall

Polar single glazed with display
and storage Workwall unit



Single glazed Polar with Workwall creating
dividing walls and modular offices

POLAR
Single Glazed
featuring Workwall



Workwall unit to house AV system



Workwall adds a vertical dimension to Polar, crafting functional and imaginative work havens. Floating in a sea of glass, these stations provide areas for concentration yet maintain the visual communication demanded from the Polar range.

POLAR Single Glazed featuring Workwall



Single glazed Polar with Workwall encompassing storage and desk units



Workwall and single glazed Polar create individual office spaces



Full height single glazed Polar with veneered Workwall modules

Curved single glazed Polar meeting pod with curved Manet sliding door and pull handles



Glass Doors

Komfort's considerable choice of glass and timber doors form an integral part of any partition wall. Choose from pivot, sliding, framed or frameless to enhance the overall design.

portal

Single glazed door within SJ35 doorframe with patch hinges, patch lock and lever handle



Standard height single glazed pivot doors with patch hinges and stainless steel D handles



Glass Doors

Full height single glazed pivot doors with patch hinges and stainless steel D handles



Double single glazed pivot doors with patch hinges and stainless steel pull handles



Glass Doors

Double Manet sliding
glass doors



Full height Trojan double
sliding doors



Glass Doors

FD30 fire rated
glass doorset



Flush double glazed door



Glass Doors

Delicate film graphics applied
to single glazed Polar



Blinds & Graphics

Re-enforce corporate and brand identities, add drama by replicating town or country scenes or simply comply with the building regulations using minimalist patterns. The imaginative use of blinds and graphics can bring vibrancy to any project and give it a wholly unique appearance and style.

embellish



Double glazed Polar with integral Venetian blinds and control knobs



Single glazed Polar with applied coloured graphics to replicate the beauty of a dandelion

Blinds & Graphics



Double glazed Polar incorporating SwitchGlass EC film in OFF state. The film can be projected on when OFF and provide privacy at the flick of a switch.



SwitchGlass EC film in ON state

SwitchGlass



Komfort's Kompendium

Whether for commercial, creative, administrative or industrial workplaces Komfort's range of partition products create the perfect solution.

For a copy of Komfort's Kompendium brochure contact your local sales office or download it from komfort.com

Uniclass	EPIC
L384:D32	C441
CI/SfB	
32	(22.3) X



The Kompendium

Love the space you're in.

Full height single offset glazed Klassic partitioning incorporating banded manifestation and veneered doors



Banded landscape glazed Ls90 partitioning



Komfort's
Kompendium

Specialist expertise

To maintain our position as market leader in the design, manufacture and supply of partitioning systems, Komfort as part of SIG Interiors Manufacturing, offer specialist expertise in the following areas:

- When it comes to structural strength, fire and sound performance, Komfort operates an uncompromising programme of product testing to ensure peace of mind. Our partitioning and doors are independently tested at authorised laboratories in accordance with the relevant British Standard. The results and summaries of performance can be accessed on komfort.com
- Specialist technical expertise based on long term product research and development and an unrivalled understanding of the needs of the contractor and end user gained from supplying complex and large projects.
- Experienced in nationwide supply chain agreements, offering logistics expertise and scale with dedicated project management that monitors manufacturing deadlines and schedules from order, through to production and delivery.
- Investment in specialist distribution to offer the widest selection of products, stocked in depth and delivered in consolidated loads, reducing disruption and minimising environmental impact.
- Extensive on going investment in tooling and manufacturing facilities to deliver cost effective, high quality products and continual improvements to service.
- Full accreditation to BS EN ISO 9001, 14001 and OHSAS 18001.

Key services

We offer our clients a comprehensive range of services prior to and throughout the duration of a project. These include:

- RIBA approved CPD seminars.
- NBS specifications.
- Full design and project visualisation facilities.
- Estimating service.
- Experienced technical support and guidance.
- Web accessible technical documentation including junction drawings in CAD and PDF format, performance certification and installation statements.
- Sales support services including hand and component samples.
- Site surveys for glass and blinds.
- Product installation training.
- Dedicated support line for specifiers.
- Marketing material including brochures and product photography.
- Nationwide show suites.

Komfort would like to thank the following photographers and companies for granting us permission to use their photography in this brochure. Many of the projects featured are available to view and download as case studies on www.komfort.com

Andrew Perris - www.andrewperris.co.uk
Donal Murphy - www.donalmurphyphoto.ie
Gareth Gardner - www.garethgardner.com
David McGathan - www.DMPhotographics.co.uk
James White - www.jameswhitephotography.co.uk
Mike Torrington - www.miketorrington.com
Paul Zanre - www.pzphotography.com
Steve Mayes - www.stevemayesphotography.co.uk

3DReid Architects - www.3dreid.com
Area Squared - www.areasq.co.uk
Ardmac - www.ardmac.com
Artillery Architecture & Interior Design - www.artillery.co.uk
Axis (Scotland) Limited - www.axis.gb.com
BAM - www.bam.co.uk
BDG Workfutures - www.bdgworkfutures.com
BIG Interior Services Ltd - www.big-interiors.com
Bond Bryan Architects - www.bondbryan.com
B W Interiors Limited – www.bwinteriors.com
Cairn Contracts - www.cairncontracts.com
Europa Workspace Services - www.europa-services.co.uk
Felt Branding - www.feltbranding.com
GHI Contracts Limited - www.ghicontracts.co.uk
GVA Grimley - www.gvagrimley.co.uk
GW Interiors - www.gw-interiors.co.uk
Intex Projects Ltd - www.intexprojects.co.uk
KD Systems - www.kd-systems.com
Logic Office Group - www.logic-office.co.uk
OPL - www.office-projects.co.uk
Office Principles - www.officeprinciples.com
Overbury – www.overbury.com
Preferred Office Environments plc - www.preferredoffices.co.uk
Souness & Boyne - www.sounessandboyne.co.uk
Spacescape Limited – www.spacescapeinteriors.com
Stortford Interiors (UK) Ltd - www.stortford-interiors.com
The Projects Company Limited - www.theprojectscompany.co.uk
Time Limit Interiors, Leeds
T & S Acoustic Contracts Limited – www.tandsacoustic.co.uk
Walls to Workstations - www.w2w.ie
Westco Partnership - www.westcopartnership.com
Worksmart Interiors Limited - www.worksmartinteriors.co.uk

Brochure Design & Artwork - www.shoal.co.uk



POLAR Partitioning - system guide & performance options

	Construction Type				Trim Finish		Glass to Glass Joint			Door Finish				Fire Performance BS 476 : Part 22				Sound Performance dB (Rw) BS EN ISO 140-3				System Construction								
	Full Height glazed	Dado Height glazed	Aluminium Deflection Head	Steel deflection Head	Satin Anodised	Kolourframe powder coated in any BS4800 or RAL colour	Bubble Dry Joint	Two Part Dry Joint	Silicon Joint	Ghost Post Joint	Glass non performance 12mm thick toughened	Glass with overpanel fire performance 12mm thick Pyran	Timber Veneer pre-finished with UV lacquer	Timber Laminated or PVCu	Glass Sliding	Certificated Glass Doorset Assembly	Certificated Timber Doorset Assembly	Glazed Screen (Insulation and Integrity)	Glass Door in Aluminium Door Frame	Timber Door in Aluminium Door Frame	Timber Door in Timber Door Frame	Single Glazed	Double Glazed	Glass Door in Aluminium Door Frame	Timber Door in Aluminium Door Frame	Sliding Glass Door with threshold seals	Strength & Robustness 12mm glass BS 5234 duty level	Crowd Pressure (Line Load) 12mm glass	Nominal Thickness	Nominal Width
Polar Single Glazed	■		■	■	■	■	■	■		■	■	■	■	■	■	■	30/30	FD30	FD30	FD30	33 to 38 ^a	NA	31	33	25	Severe ^a	1.5kN/m	25mm ^c	1.2m	3.2m
Polar Double Glazed	■		■	■	■	■	*		■	■	■	■	■	■	■	■	None	None	None	None	NA	41 to 49 ^b	31	33	25	Severe ^a	1.5kN/m	80mm ^d	1.2m	3.3m
Polar Vision Double Glazed	■		■	■	■	■	■			■	■	■	■		■	■	30/30	FD30	FD30	FD30	NA	43 to 48 ^b	32	33	NA	Heavy	1.5kN/m	80mm ^d	1.2m	3.0m
PolarTec Double Glazed	■			■	■	■		*	■	■	■	■	■		■	■	30/30	FD30	FD30	FD30	NA	46 to 47 ^b	31	33	NA	Severe	1.5kN/m	80mm ^d	1.2m	3.0m
Polar 100 Single Glazed	■				■	■	■			■		■	■				None	None	None	NA	30 to 36 ^a	NA	24	30	NA	Severe	1.5kN/m	100mm	1.2m	3.0m
Polar 100 Double Glazed	■				■	■	■		■	■		■	■				None	None	None	NA	NA	40 to 45 ^b	24	30	NA	Severe	1.5kN/m	100mm	1.2m	3.0m
Confluence Single Glazed	■				■	■	■		*	■		■	■				None	None	None	None	33	NA	31	33	NA	Not Tested	Not Tested	75mm	1.2m	3.0m
Confluence Double Glazed	■				■	■	■			■		■	■				None	None	None	None	NA	44	32	33	NA	Not Tested	Not Tested	100mm	1.2m	3.0m

* Junctions

^a - Subject to glass type
^b - Glass combination

^c - Two part base channel
^d - Three part base channel

Love the space you're in.



Komfort Workspace plc Sales Offices - UK

Crawley

Whittle Way
Crawley
West Sussex
RH10 9RT
Tel: +44 (0)1293 592500
Fax: +44 (0)1293 553271
E-mail: general@komfort.com

Birmingham

Globe House
Parkrose Industrial Estate
1 Middlemore Road
Smethwick
Birmingham
B66 2DR
Tel: 0121 555 0300
Fax: 0121 555 0301
E-mail: midland-sales@komfort.com

Manchester

8 Brindley Road
City Park Business Village
Trafford Park
Manchester
M16 9HQ
Sales Tel: 0161 877 9517
Fax: 0161 873 8540
Showroom Tel: 0161 873 8539
E-mail: northern-sales@komfort.com

Scotland

14 Grange Road
Livingston
West Lothian
EH54 5DE
Tel: 0131 661 7010
Fax: 0131 661 5768
E-mail: scotland-sales@komfort.com

Leeds

Unit 2
Intermezzo Drive
Stourton Link
Leeds
West Yorkshire
LS10 1RU
Tel: 0113 395 6565
Fax: 0113 395 6566
E-mail: northern-sales@komfort.com

Sales Office - Republic of Ireland

First Floor
Block 43a
Park West Business Park
Nangor Road
Dublin 12
Tel: 01 620 5616
Fax: 01 620 4380
E-mail: dublin-sales@komfort.com

Show Suite Locations

Gatwick International
London - City
Birmingham
Leeds
Manchester
Dublin

Internet

www.komfort.com

komfort.com