

Natural Daylight





Glazing Vision was established in 1994 by Mr Hugh Callacher

Today Glazing Vision leads the glass rooflight market with
expanding sales both domestically and internationally.





Document with text and logos, possibly a report or presentation slide, located in the foreground on the right side of the image.

In all environments the eye and brain functions respond better to natural light,
so people perform better, while passive solar gain can reduce energy costs.



Tripleglazed Variant
U-Value 0.8 W/m²K



The Glazing Vision Flushglaze® Rooflight is the original glass flat roof rooflight.

Launched in 2002 the rooflight has featured in many prestigious buildings from the Eden Project in Cornwall, Silverstone drivers' club, Oxford to Gleaneagle golf course in Scotland.

The rooflight can be shaped to make circular triangular or bespoke shapes as required.

You can even incorporate LEDs, PV Cells, heated glass and opaque to clear glass into the Flushglaze® profile.

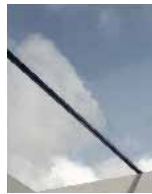



The Royal Landscape
Savill Gardens, Windsor



For larger glazing requirements the Flushglaze® can be joined together using

silicone seals at the joins
back to back aluminium angles
glass fins at the joins





Manchester Society of Architects Awards

Commercial Building of the Year 2012
AND
Building of the Year 2012!

Image courtesy of Beccy Lane
Positive Image Photography

For an even more impressive wow factor our Eaves and Ridge Rooflights offer a fantastic solution to make a grander feature of a roof apex or glass extension. We can offer frameless contemporary solutions which will not only offer maximum daylight, but also no internal aluminium framework, adjoining glass with structural silicone only.





Balancing Barn - Living
Architecture

Our Flushglaze® Rooflight also comes in a walk on specification glass for domestic areas and public applications by incorporating various glass specifications.

The walk on rooflight can also be lengthened for larger areas incorporating a back to back angle.

Utilising our Flushglaze® profile we can incorporate various glass specification requirements.



Elongated Pyramid -
Private Residence



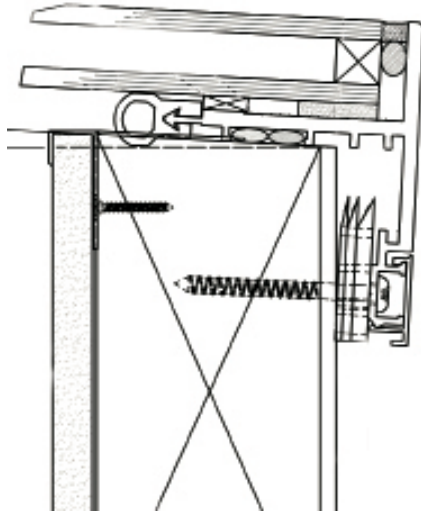
Glazing Vision offer a contemporary pyramid rooflight solution. Available in both a square or elongated options.

The GV Pyramid rooflight uses glass to glass self supporting joins with a silicone seal, so there is no requirement for metal framework.

All the standard pyramids are on a 45 degree angle, shallower angles can be manufactured through our bespoke design team.



TECHNICAL SPECIFICATION - FLUSHGLAZE®



Standard Stock Sizes (48 hour delivery)

All sizes refer to Overall weathered upstand dimensions

900mm x 900mm

1000mm x 1000mm

1200mm x 1200mm

1000mm x 1500mm

1000mm x 2000mm

(All stock sizes come in our standard RAL7015 Slate Grey Outer)

Specifications (for Single piece units only, modular for multiple panels available)

Standard / Tripleglazed Maximum Kerb Span/Width: 4000mm

Standard / Tripleglazed Minimum Kerb Span/Width: 450mm

Standard Unit Guide Weight (daylight spec only): 40kg / sq m

Tripleglaze Unit Guide Weight (daylight spec only): 54kg / sq m

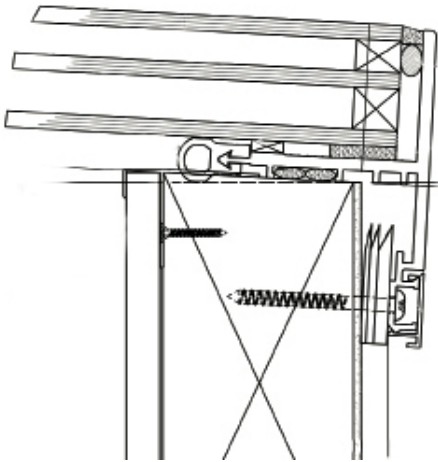
Circular Rooflights Maximum Kerb Span/Width: 2000mm

Circular Rooflights Minimum Kerb Span/Width: 800mm

Kerb Width Minimum: 75mm

Kerb Height Minimum: 150mm

Minimum Kerb pitch: 3-5°



Glass Specification:-

Standard Glass Spec

28mm Double Glazed Unit –

6mm Toughened Outer Pane, 16mm Argon filled warm edge spacer cavity, 6mm Toughened Low E Inner Pane

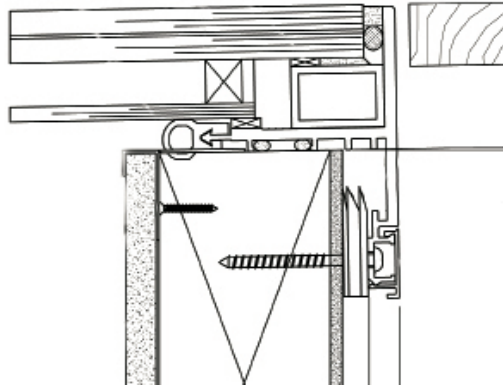
Tripleglaze Glass Spec

42mm Triple Glazed Unit -

6mm Toughened Outer Pane, 12mm Argon filled warm edge spacer cavity, 6mm Toughened Low E Centre pane, 16mm Argon filled warm edge spacer cavity, 6mm Toughened Low E Inner Pane

Various glass specifications can be provided for dependent on the client's requirement, whether the need for improved solar performance or increased security we will produce a configuration to suit.

TECHNICAL SPECIFICATION - WALK ON FLUSHGLAZE®



Standard Sizes (48 hour delivery)

All sizes refer to Overall weathered upstand dimensions

1500mm x 1000mm

2000mm x 1000mm

(All stock sizes come in our standard RAL7015 Slate Grey Outer)

Specifications (for Single piece units only, multiple panels available)

Maximum Kerb Span/Width: 4000mm

Minimum Kerb Span/Width: 450mm

Standard Unit Guide Weight (daylight spec only): 75kg / sq m

Circular Maximum Kerb Span/Width: 2000mm

Circular Minimum Kerb Span/Width: 800mm

Kerb Width Minimum: 75mm

Kerb Height Minimum: 150mm

Minimum Kerb pitch: 1°

Domestic Floor Load Only – UDL = 1.8KN/m²

(Additional Concentrated Load = 1.4KN Point Load)

Glass Specification:-

Standard Glass Spec

45.5 Double Glazed Unit -

21.5mm Clear toughened laminated heat soak tested outer - 18mm ARGON filled cavity - 6mm low E inner

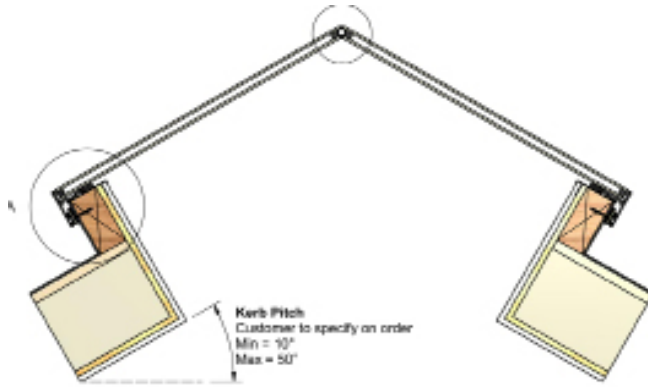
Various glass specifications can be provided for if there is a requirement for greater loading capability and will require an increase in the double glazed unit size.

Glazing Vision can also manufacture a single glazed internal walk on glass.

TECHNICAL SPECIFICATION - EAVES & RIDGE

Flushglaze® Eaves & Ridge Rooflights

The Flushglaze Eaves & Ridge Rooflights have been added to the GV portfolio and demonstrate the uniqueness of the Flushglaze principles. The glass area must remain within 5.2m² (using our standard spec) to be manufactured in one pane of glass. The vertical can then meet the horizontal and be joined together by incorporating stepped edged glass and a silicone seal at the join (Eaves). The Ridge rooflight also uses the same principle as a multipart Flushglaze with a silicone seal at the apex. Any bespoke requirement can also be catered for but would result in aluminum angles at the joins. The Eaves Rooflight also sits within surrounding walls incorporating the Flushglaze wall abutment detail around the edges as opposed to a traditional upstand detail. The bottom of the eaves rooflight will require a cill detail to allow water run off.



Ridgeglaze Maximum Kerb Width: 2000mm

Ridgeglaze Minimum Kerb Width: 400mm

Ridgeglaze Maximum Kerb Return: 3000mm

Ridgeglaze Minimum Kerb Return: 500mm

Anything greater than the above can be catered for with the introduction of aluminum back to back angles at the joins

Kerb Width Minimum: 75mm

Kerb Height Minimum: 150mm

Colour- all our rooflights are Powder coated to either RAL7015 Grey or RAL9010 White

All Eaves rooflights are currently bespoke and designed by Glazing Vision, Eaves rooflights can be either in 2 panes one vertical and one horizontal with a silicone seal at the join, or in multiple sections for larger applications.

Glass Specification:-

Standard Glass Spec

28mm Double Glazed Unit –

6mm Toughened Outer Pane, 16mm Argon filled warm edge spacer cavity, 6mm Toughened Low E Inner Pane

TECHNICAL SPECIFICATION - GV PYRAMID

Glazing details: 28mm Double glazed units comprising 6mm clear toughened outer pane, 16mm Argon Cavity warm edge spacer and 6mm clear toughened low E inner pane. Units to have silicone edge seal.

Frame: Thermally broken extruded aluminium cill profile, grade 6063 T6.

Finish: Polyester Powder Coated.

Colour: White RAL9010 matt Inner with Grey RAL7015 outer as standard.

Specifications

Maximum Kerb Span: 1500mm

Maximum Kerb Width: 1500mm (Square)

Maximum Kerb Width: 2500mm (Elongated)

Minimum Kerb Width: 450mm

Minimum pitch: 0 degrees

Maximum pitch: 10 degrees

Kerb Width Minimum: 75mm

Kerb Height Minimum: 150mm

OCTAGONAL PYRAMID ROOFLIGHTS

Glazing details: 28mm Double glazed units comprising 6mm clear toughened outer pane, 16mm Argon Cavity warm edge spacer and 6mm clear toughened low E inner pane. Units to have silicone edge seal.

Frame: Thermally broken extruded aluminium cill profile, grade 6063 T6.

Finish: Polyester Powder Coated.

Colour: White RAL9010 matt (internal) and grey RAL7015 matt (external) as standard.

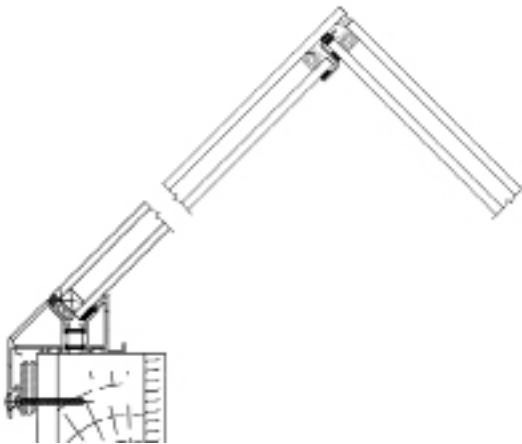
DOWNLIGHTER (SQUARE & OCTAGONAL ONLY)

12 volt x 30w down-lighter to apex as standard (concealed wiring)

LARGER BESPOKE OPTIONS AVAILABLE WITH FRAMEWORK

BESPOKE LOWER PITCH SOLUTIONS AVAILABLE WITH FRAMEWORK

BESPOKE OCTAGONAL ALSO AVAILABLE





www.glazingvision.co.uk
sales@glazingvision.co.uk
Telephone: 01379 658300

**GLAZING
VISION**