

Mini Optima

Air curtains for commercial doors



Water heater



Electric heater



Without heater



Opening heights of up to 2.2m



Features

- Self-supporting casing construction made of zinc plated steel, painted epoxy-polyester structural white colour RAL 9016 as standard. Other colours are available on request.
- Low noise twisted cross-flow fans driven with a two speed external rotor motor.
- Micro-perforated inlet grille with filter which only has to be periodically wiped or vacuumed.
- Linear blow-out jets with airfoil profiled anodized aluminium lamellas.
- Control panel and 20m of telephonic cable with fast connectors type RJ45 (Plug & Play), included.
- Optional: Interface to connect to BMS. Available on request.



Mini Optima

Mini Optima

Model	Airflow min/max (m³/h)	Heating capacity 80/60° (kW)	Water drop pressure (Pa)	Electrical heating capacity (*) (kW)	Electrical heating voltage (V)	Electrical heating current (A)	Power fans 230V-50Hz	Current fans 230V-50Hz	Noise Level 5m (dB(A))	Weight (kg)
OPT 1000 A	850/1350	-	-	-	-	-	40/87	0.19/0.40	41/50	17.5
OPT 1000 P	725/1150	7.3	4170	-	-	-	40/87	0.19/0.40	41/50	20
OPT 1000 E	850/1350	-	-	4/6	400Vx3	5.8/8.7	40/87	0.19/0.40	41/50	19.5
OPT 1000 E230	850/1350	-	-	3.8/5.6	230Vx1	16.5/24.5	40/87	0.19/0.40	41/50	19.5
OPT 1500 A	1250/2050	-	-	-	-	-	64/117	0.32/0.53	43/52	25
OPT 1500 P	1100/1750	11.4	4500	-	-	-	64/117	0.32/0.53	43/52	28.5
OPT 1500 E	1250/2050	-	-	6/9	400Vx3	8.7/13	64/117	0.32/0.53	43/52	28.5
OPT 1500 E230-9	1250/2050	-	-	6/9	230Vx1	26/39.1	64/117	0.32/0.53	43/52	28.5
OPT 2000 A	1700/2700	-	-	-	-	-	80/174	0.38/0.80	46/55	33
OPT 2000 P	1450/2300	15	4290	-	-	-	80/174	0.38/0.80	46/55	37.5
OPT 2000 E	1700/2700	-	-	5.6/11.3	400Vx3	8.1/16.3	80/174	0.38/0.80	46/55	42
OPT 2000 E230	1700/2700	-	-	5.6/11.3	230Vx1	24.5/49.1	80/174	0.38/0.80	46/55	42

Water heated pipes connection 1/2"

(*) Other heating capacities available on request

Recessed Mini Optima

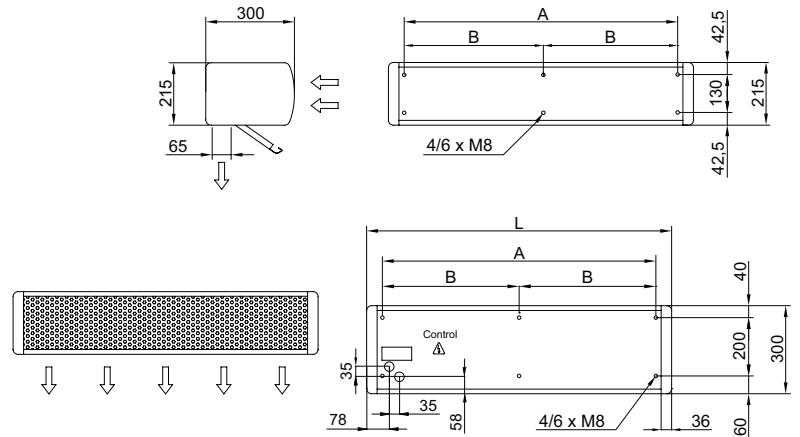
Model	Airflow min/max (m³/h)	Heating capacity 80/60° (kW)	Water drop pressure (Pa)	Electrical heating capacity (*) (kW)	Electrical heating voltage (V)	Electrical heating current (A)	Power fans 230V-50Hz	Current fans 230V-50Hz	Noise Level 5m (dB(A))	Weight (kg)
RO 1000 A	850/1350	-	-	-	-	-	40/87	0.19/0.40	41/50	24
RO 1000 P	725/1150	7.3	4170	-	-	-	40/87	0.19/0.40	41/50	26.5
RO 1000 E	850/1350	-	-	4/6	400Vx3	5.8/8.7	40/87	0.19/0.40	41/50	26
RO 1000 E230	850/1350	-	-	3.8/5.6	230Vx1	16.5/24.5	40/87	0.19/0.40	41/50	26
RO 1500 A	1250/2050	-	-	-	-	-	64/117	0.32/0.53	43/52	34
RO 1500 P	1100/1750	11.4	4500	-	-	-	64/117	0.32/0.53	43/52	37.5
RO 1500 E	1250/2050	-	-	6/9	400Vx3	8.7/13	64/117	0.32/0.53	43/52	37.5
RO 1500 E230-9	1250/2050	-	-	6/9	230Vx1	26/39.1	64/117	0.32/0.53	43/52	37.5
RO 2000 A	1700/2700	-	-	-	-	-	80/174	0.38/0.80	46/55	44.5
RO 2000 P	1450/2300	15	4290	-	-	-	80/174	0.38/0.80	46/55	49
RO 2000 E	1700/2700	-	-	5.6/11.3	400Vx3	8.1/16.3	80/174	0.38/0.80	46/55	53.5
RO 2000 E230	1700/2700	-	-	5.6/11.3	230Vx1	24.5/49.1	80/174	0.38/0.80	46/55	53.5

Water heated pipes connection 1/2"

(*) Other heating capacities available on request

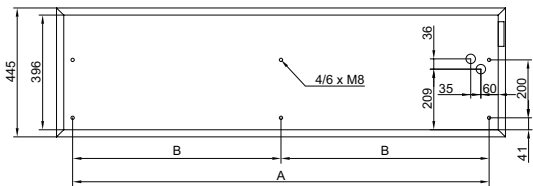
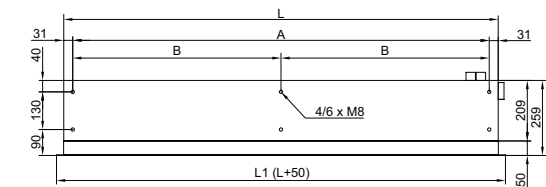
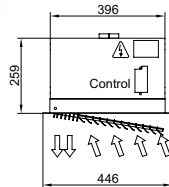
Mini Optima

Mini Optima



	L	A	B
OPT 1000	1050	940	-
OPT 1500	1550	1440	-
OPT 2000	2050	1940	970

Recessed Mini Optima



	L	L1	A	B
RO 1000	1000	1050	938	-
RO 1500	1500	1550	1438	-
RO 2000	2000	2050	1938	969

www.jsaircurtains.com

JS has a policy of continually improving products and performance. Actual specifications might vary from those shown.

JS Air Curtains

Artex Avenue, Rustington, LITTLEHAMPTON,
West Sussex, BN16 3LN, UK.

Tel: +44 (0)1903 858656 • Fax: +44 (0)1903 850345

Email: sales@jsaircurtains.com



Part of the JS Humidifiers Group

