

Venetian Blind

Installation instructions

This Venetian blind can be fitted either inside or outside of the window recess.

Reducing the width

Up to 15 cm (6 inches) can be trimmed off the overall width of the blind (7.5 cm each side) depending on its size.

Step 1

Measure the required width for the blind (e.g. the window recess) and mark this length less 12mm (1/2 inch) on the headrail, slats and bottom bar. When marking ensure that equal amounts are to be trimmed.

Step 2

Remove the end plugs from the headrail and bottom bar before cutting to size using a suitable hacksaw. Cut each slat to size individually using sharp scissors.

Step 3

Replace the end plugs into the headrail and bottom bar.

Shortening the Blind

It is not essential to remove surplus slats as the blind will operate from any height. However, the overall drop of the blind can be reduced if required to fit any size of window.

Step 1

Remove the securing plugs from the bottom bar carefully using a suitable screwdriver or knife.

Step 2

Untie the cord and pull it through the holes in the slats to be removed. Carefully remove the excess slats and bottom rail.

Step 3

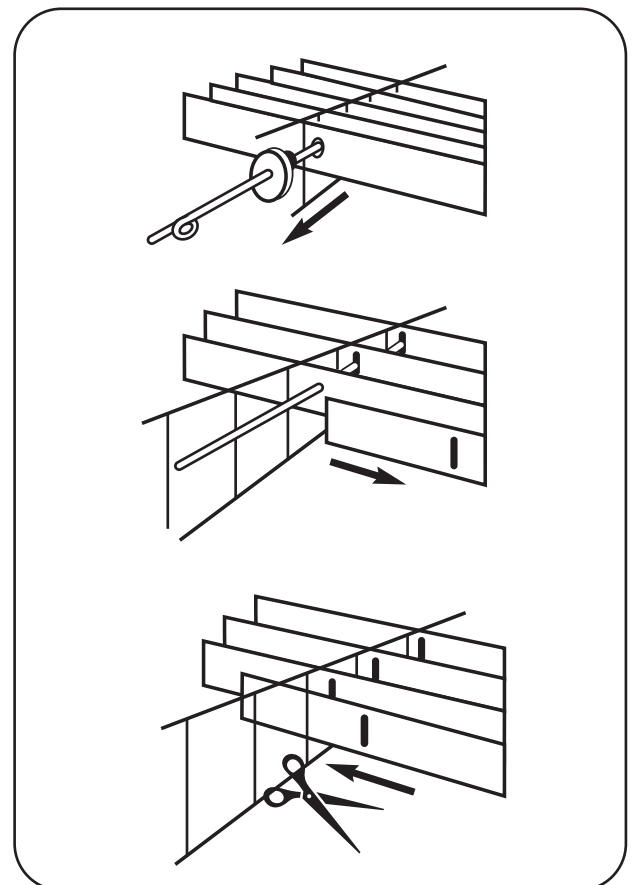
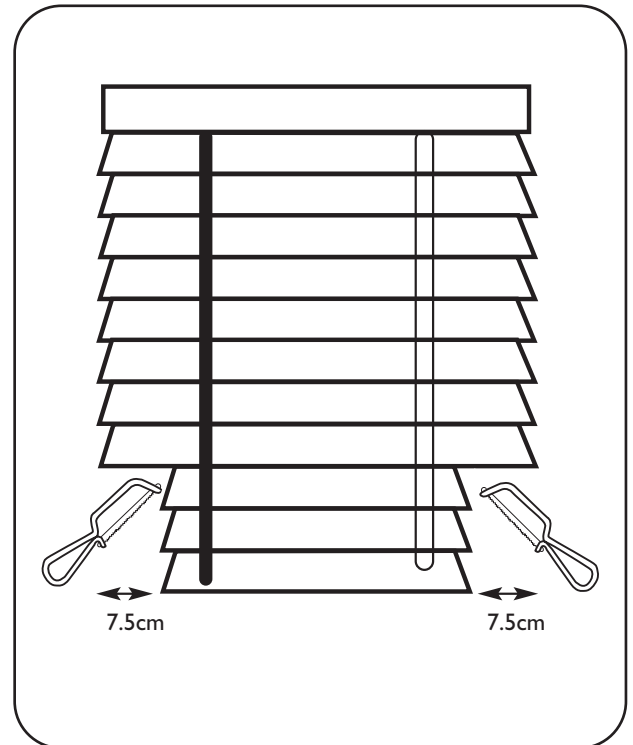
Replace the bottom bar in the ladder cord as close as possible to where the bottom of the blind is to be. Insert the cord through the holes in the bottom bar and also the securing plugs and re-tie the knot. Trim off the excess ladder cord and securing plug cord leaving around 25mm (1 inch) surplus. Insert these ends into the bottom bar holes and replace the bottom bar securing plugs.

The blind is now ready for use.

Operating the Blind

Lowering - Hold the cord at eye level and move it to the left, pulling it down gently until the cord lock releases. Allow the cord to slip through the fingers until the blind reaches the desired level. Move the cord to the right and release. The blind will lock automatically.

Raising - Pull cord downwards until the blind reaches the desired height then move to the right and release the cord. The blind will lock automatically.



SAFETY WARNING — PLEASE KEEP SMALL PARTS AWAY FROM CHILDREN

*Note : Components may vary slightly to those shown.