



MAY 2011



Accommodates table tops from 900x600 to 1600x800

BUDGET FLIP TOP TABLE FRAMES

PACK CODES AND PRICES



LEG SET

ORDER CODE - **BFT-EF**



TRAP/SEMI LENGTH PACK

ORDER CODE - **BFT-TS-LP**



1600 LENGTH PACK

ORDER CODE - **BFT-1600-LP**

£5.20

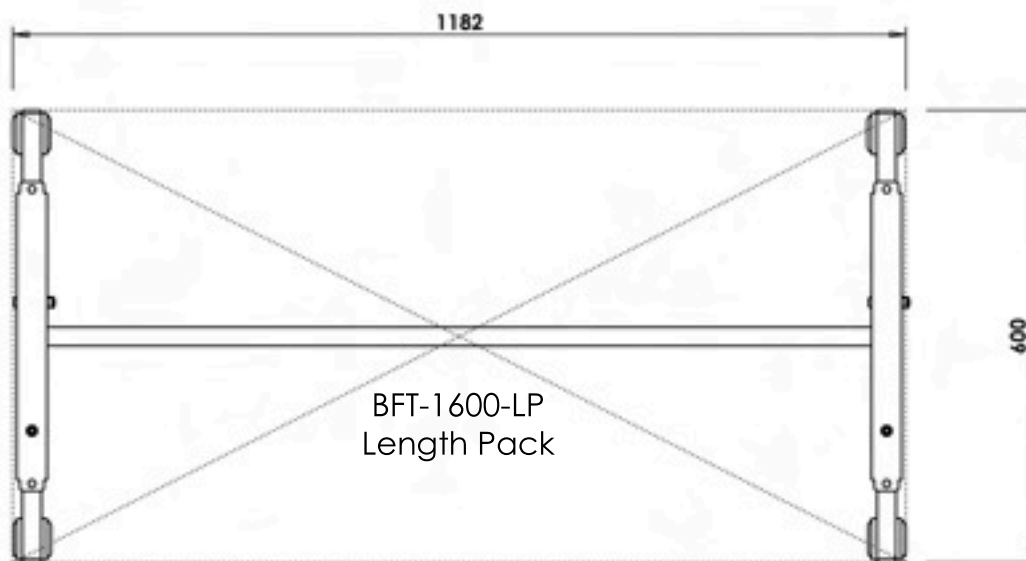
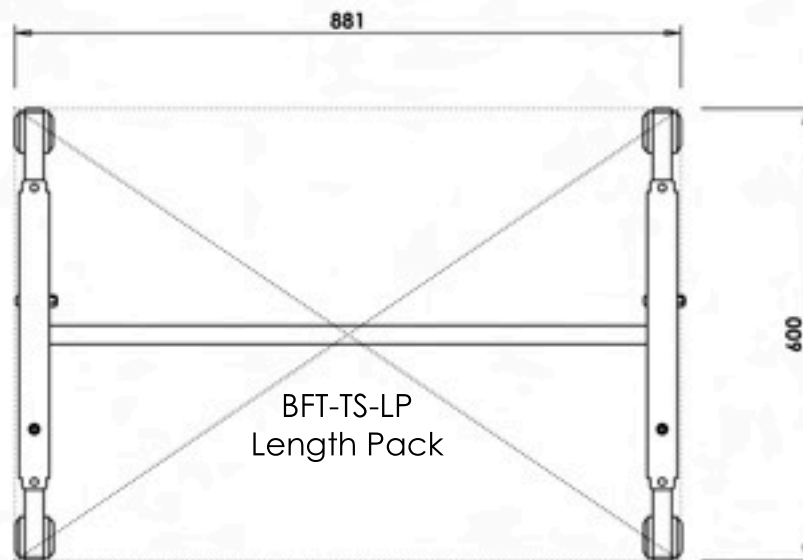
FRAME COLOUR: SILVER ONLY AS STANDARD
FRAME HEIGHT: 695mm
PLEASE NOTE: TOP FIXINGS NOT INCLUDED

BUDGET FLIP TOP TABLE FRAMES

TABLE FRAME FOOTPRINTS

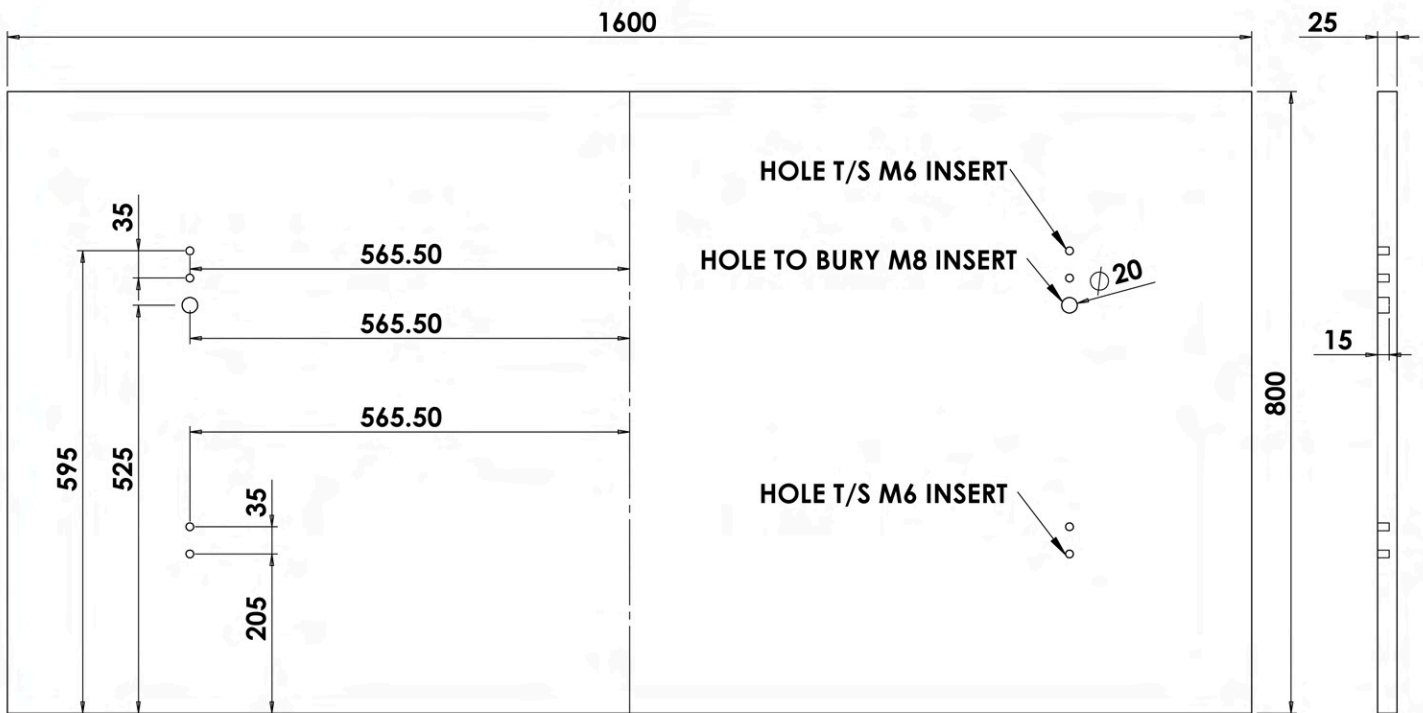
Rack Budget Flip Top Table frames have been developed and designed to suit 3 top sizes: 1600x800mm rectangle, 1600mm trapezoidal and 1600mm semicircle, as per the drilling drawings enclosed within this pack.

Should you wish, however, to accommodate additional top shapes and sizes, the overall frame footprints are shown below to assist your calculations



BUDGET FLIP TOP TABLE FRAMES
TABLE TOP DRILLING POSITIONS

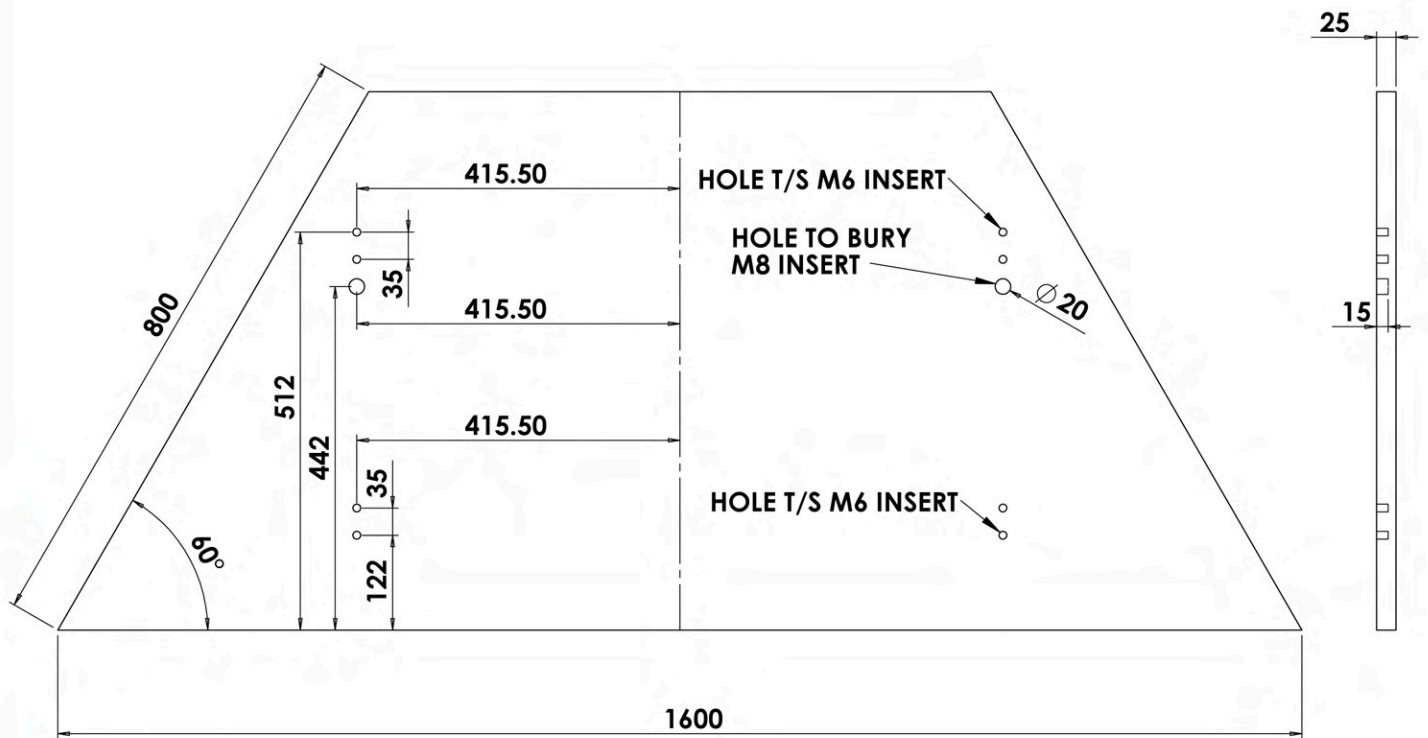
1600 RECTANGLE



CUSTOMER/RANGE: BUDGET FLIP TOP TABLE	DESCRIPTION: 1600 RECT TOP	RACK SYSTEMS (ENG) LIMITED 52-56 DOVE WAY KIRKBY MILLS INDUSTRIAL ESTATE KIRKBYMOORSIDE YORK YO62 6QR	REV/COMMENTS:
CUSTOMER/RACK PART No:	LCB/TP CODE:		DRAWN BY: K.J.S 01/07/2010

BUDGET FLIP TOP TABLE FRAMES
TABLE TOP DRILLING POSITIONS

1600 TRAPEZOIDAL

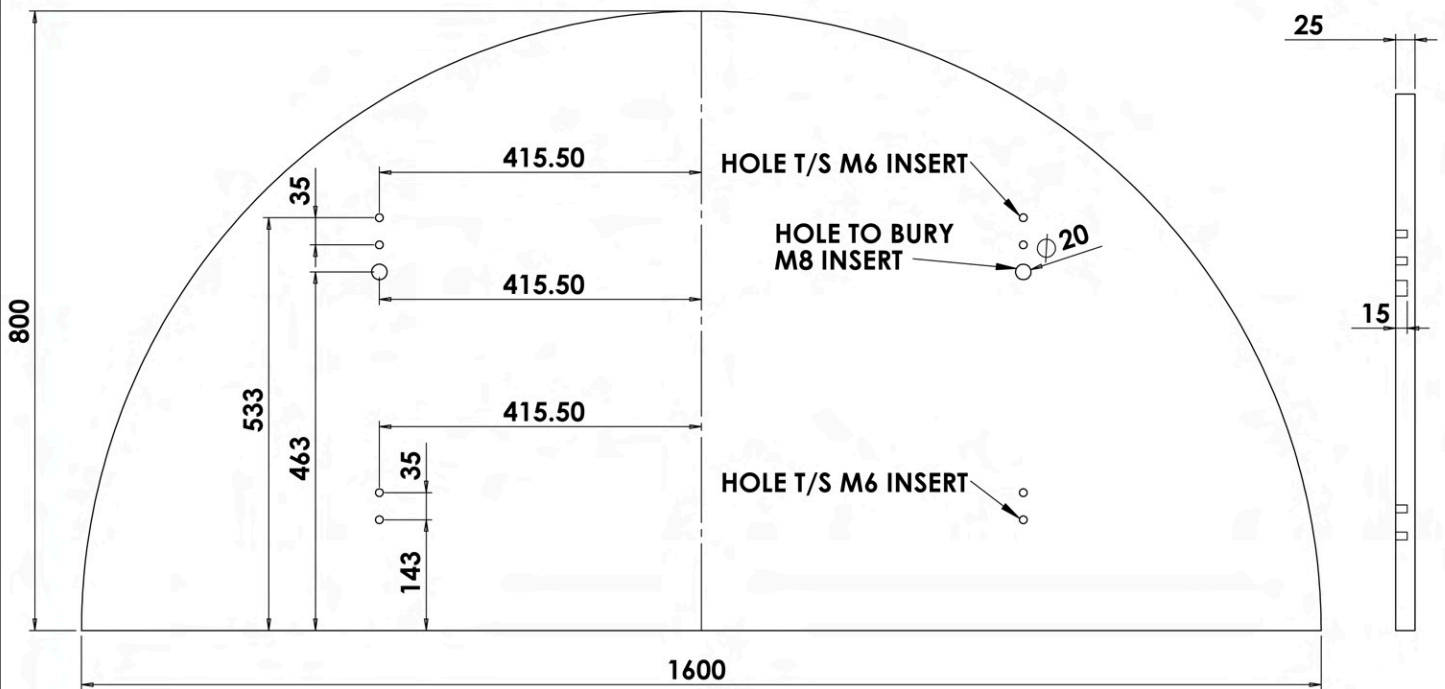


CUSTOMER/RANGE: BUDGET FLIP TOP TABLE	DESCRIPTION: 1600 TRAP RECT TOP	RACK SYSTEMS (ENG) LIMITED 52-56 DOVE WAY KIRKBY MILLS INDUSTRIAL ESTATE KIRKBYMOORSIDE YORK YO62 6QR	REV/COMMENTS:
CUSTOMER/RACK PART No:	LCB/TP CODE:		DRAWN BY: K.J.S 01/07/2010

BUDGET FLIP TOP TABLE FRAMES

TABLE TOP DRILLING POSITIONS

1600 SEMICIRCLE

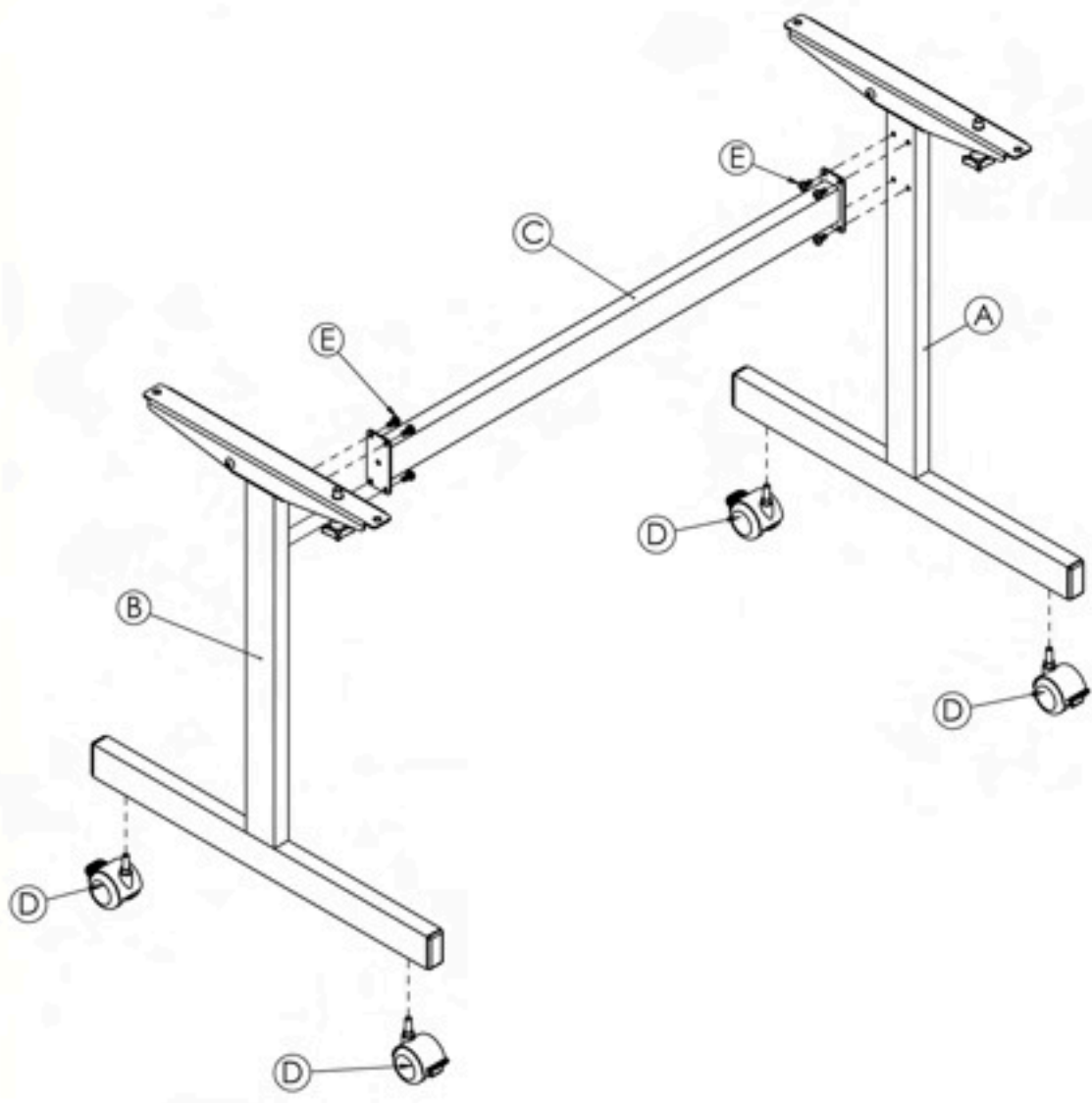


CUSTOMER/RANGE: BUDGET FLIP TOP TABLE	DESCRIPTION: 1600 TRAP RECT TOP	RACK SYSTEMS (ENG) LIMITED 52-56 DOVE WAY KIRKBY MILLS INDUSTRIAL ESTATE KIRKBYMOORSIDE YORK YO62 6QR	REV/COMMENTS:
CUSTOMER/RACK PART No:	LCB/TP CODE:		DRAWN BY: K.J.S 01/07/2010

BUDGET FLIP TOP TABLE FRAMES

ASSEMBLY INSTRUCTIONS

 8 MINS	 X1	 CROSS HEAD	 5mm	 12mm
------------	--------	----------------	---------	----------



Pcs	A	B	C	D	E	F	G	H	I
Qty	1No LEFT HAND	1No RIGHT HAND	1	4	8				