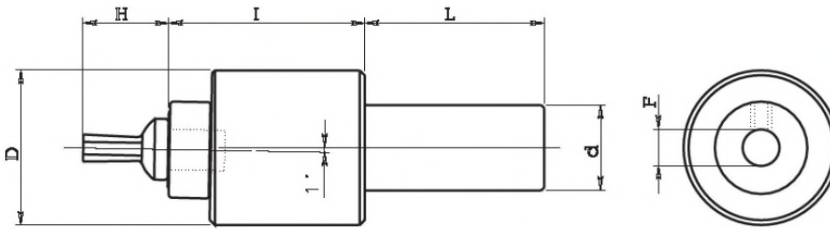


Fixed Broaching Heads – cylindrical shank



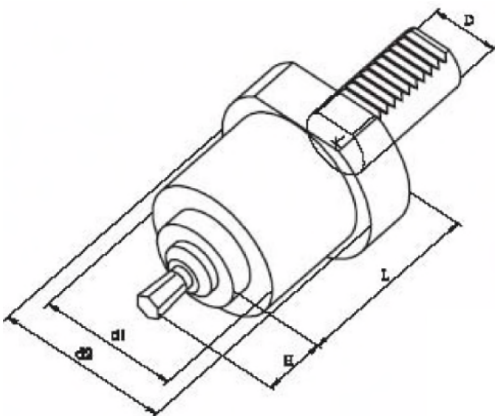
Series	Reference	d	I	L	D	F	H
F5	175.508	8	34	35	22	5	10
	175.510	10					
	175.512	12					
	175.515	5/8"					
	175.516	16		46			
	175.519	3/4"					
	175.120	20					

Series	Reference	d	I	L	D	F	H
F8	175.602	MT2	38	69	32	8	18
	175.610	10		35			
	175.612	12					
	175.615	5/8"					
	175.616	16					
	175.619	3/4"					
	175.620	20					
	175.625	25					
	175.626	1"					

Series	Reference	d	I	L	D	F	H
F12	175.702	MT2	46	69	44	12	25
	175.716	16		50			
	175.719	3/4"					
	175.720	20					
	175.725	25					
	175.726	1"					
	175.732	32					

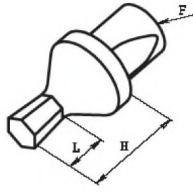
Series	Reference	d	I	L	D	F	H			
F16	175.803	MT3	76	85	58	16	40			
	175.804	MT4		109						
	175.820	20		50						
	175.825	25								
	175.826	1"								
	175.831	1.1/4"								
	175.832	32								
	175.840	40						80		

Fixed Broaching Heads – VDI shank



Series	Reference	D	d1	d2	F	H
F12	9R2.20.12	VDI20	44	50	12	25
	9R2.30.12	VDI30	58	68		
	9R2.40.12	VDI40		83		40
F16	9R2.30.16	VDI30		68	16	25
	9R2.40.16	VDI40		83		40

Broaching Bits



Hexagon

Series	Ref	F	H	L	AF	
F5	8030010	5	10	2	1.0	
	8030015			3	1.5	
	8030020			3.5	2.0	
	8030025			4	2.5	
	8030030			5	3.0	
	8030035			6	3.5	
	8030040				4.0	
	8030050				5.0	
	8030055				5.5	
	8030060				6.0	

Series	Ref	F	H	L	AF
F8	8010010	8	18	2	1.0
	8010015			3	1.5
	8010020			3.5	2.0
	8010025			4	2.5
	8010030			5	3.0
	8010035			6	3.5
	8010040			6.5	4.0
	8010050			8.5	5.0
	8010055			9.5	5.5
	8010060			10.5	6.0
	8010070			12	7.0
	8010080			12.5	8.0

Series	Ref	F	H	L	AF	
F12	8000010	12	25	2	1.0	
	8000015			3	1.5	
	8000020			3.5	2.0	
	8000025			4	2.5	
	8000030			5	3.0	
	8000035			6	3.5	
	8000040			6.5	4.0	
	8000050			8.5	5.0	
	8000055			8.5	5.5	
	8000060			10.5	6.0	
	8000070			13	7.0	
	8000080			15.5	8.0	
	8000090			21	9.0	
	8000100				10.0	
	8000110				11.0	
	8000120				12.0	
	8000130				13.0	
	8000140				14.0	
	8000150				15.5	

Series	Ref	F	H	L	AF	
F16	8020030	16	40	5	3.0	
	8020035			6	3.5	
	8020040			6.5	4.0	
	8020050			8.5	5.0	
	8020060			10.5	6.0	
	8020070			13	7.0	
	8020080			15.5	8.0	
	8020090			17.5	9.0	
	8020100			18.5	10.0	
	8020110			20	11.0	
	8020120			20	12.0	
	8020130			28	13.0	
	8020140			32	14.0	
	8020150				15.0	
	8020160				16.0	
	8020170				17.0	
	8020180				18.0	
	8020190				19.0	
	8020200				20.0	
	8020210				21.0	
	8020220				22.0	
	8020230				23.0	
	8020240				24.0	
	8020250				25.0	

Broaching Bits

Square

Series	Ref	F	H	L	AF		
F5	8031010	5	10	2	1.0		
	8031015			3	1.5		
	8031020			3.5	2.0		
	8031025			4	2.5		
	8031030			5	3.0		
	8031035			6	3.5		
	8031040				4.0		
	8031050				5.0		
	8031055				5.5		
	8031060				6.0		

Series	Ref	F	H	L	AF
F8	8011020	8	18	3.5	2.0
	8011025			4	2.5
	8010030			5	3.0
	8010035			6	3.5
	8011040			6.5	4.0
	8011050			8.5	5.0
	8011055			9.5	5.5
	8011055			10.5	6.0
	8011070			12	7.0

Series	Ref	F	H	L	AF	
F12	8001020	12	25	3.5	2.0	
	8001025			4	2.5	
	8001030			5	3.0	
	8001035			6	3.5	
	8001040			6.5	4.0	
	8001050			8.5	5.0	
	8001055			8.5	5.5	
	8001060			10.5	6.0	
	8001070			13	7.0	
	8001080			15.5	8.0	
	8001090			21	9.0	
	8001100				10.0	
	8001110				11.0	
	8001120				12.0	
	8001130				13.0	

Series	Ref	F	H	L	AF	
F16	8021030	16	40	5	3.0	
	8021040			6	4.0	
	8021050			6.5	5.0	
	8021060			8.5	6.0	
	8021070			10.5	7.0	
	8021080			13	8.0	
	8021090			15.5	9.0	
	8021100			17.5	10.0	
	8021110			18.5	11.0	
	8021120			20	12.0	
	8021130			20	13.0	
	8021140			28	14.0	
	8021150			32	15.0	
	8021160				16.0	
	8021170				17.0	
	8021180				18.0	
	8021190				19.0	
	8021200				20.0	
	8021210				21.0	
	8021220				22.0	
	8021230				23.0	
	8021240				24.0	
	8021250			25.0		

Imperial sizes & Torx* forms - on application