



Straight Side Mechanical Press

SNS1 • SLS1 series

SNS1-80~300 tons • SLS1-80~300 tons



<http://www.seyi.com>



SNS1 series

Straight Side Mechanical Press

- >>> Straight side frame designed virtually eliminates angular deflection, providing increased precision for progressive die applications and reducing maintenance costs on tooling.
- >>> Zero angle deflection of frame and cost effective in tooling maintenance work.
- >>> Duly designed with the gibs centrally mounted in line with the slide with stand longer stroke length that ensure a stable and precise tooling life span.
- >>> The slide area is 15%~25% greater than comparable C-frame presses to allow for larger tools. The large 6-point gibs are centered in the slide body, to provide better resistance to off-center loads.
- >>> SEYI patented high-torque wet clutch and brake system provides low noise, long life operation with minimal maintenance.
- >>> User friendly, multi-function control system allows for easy integration of auxiliary equipment and automation.
- >>> Designed to allow simple integration with automated auxiliary equipments.

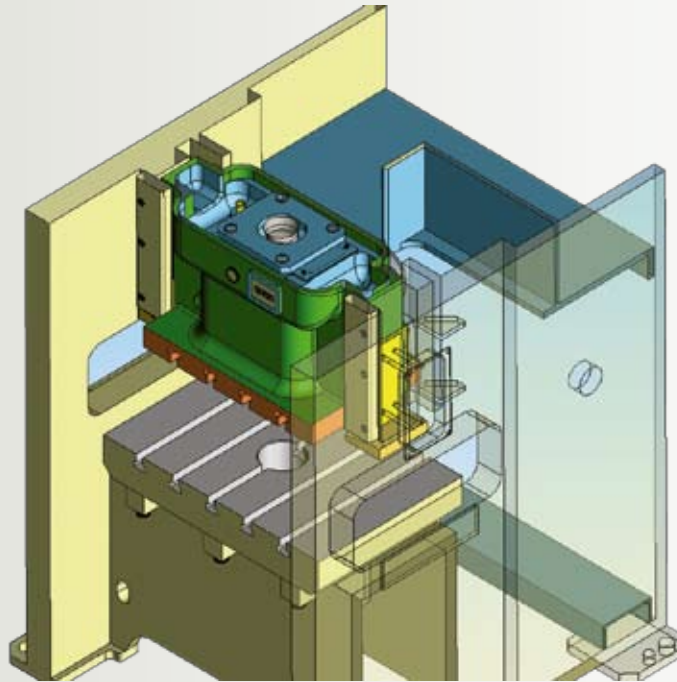
SLS1 *series*

Straight Side Mechanical Press

- >>> Unitized straight side frame suitable for precise progressive tooling job.
- >>> Zero angle deflection of frame and cost effective in tooling maintenance work.
- >>> High rigidity structure ensures consistent dynamic precision.
- >>> Greater slide area in comparison to the C type presses that can accommodate larger tooling to work more efficiently.
- >>> User friendly safety operation with multi-functional control system application.
- >>> So easy to operate and applicable to integrate with various type of press ancillary equipment.

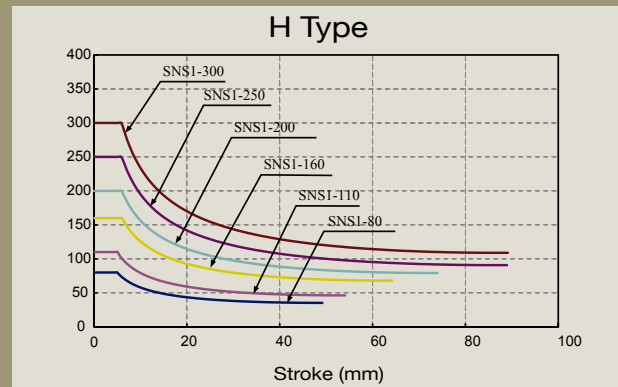
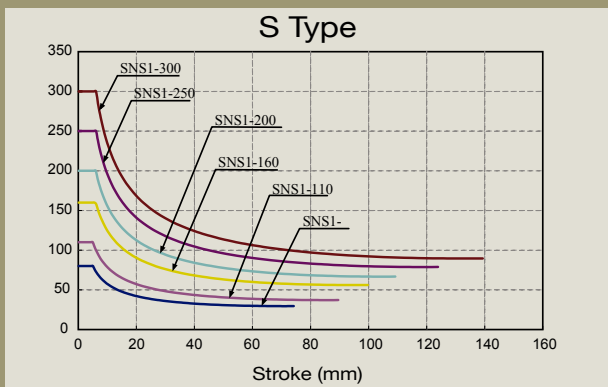


Endurance of bias loading in the center of slider guide

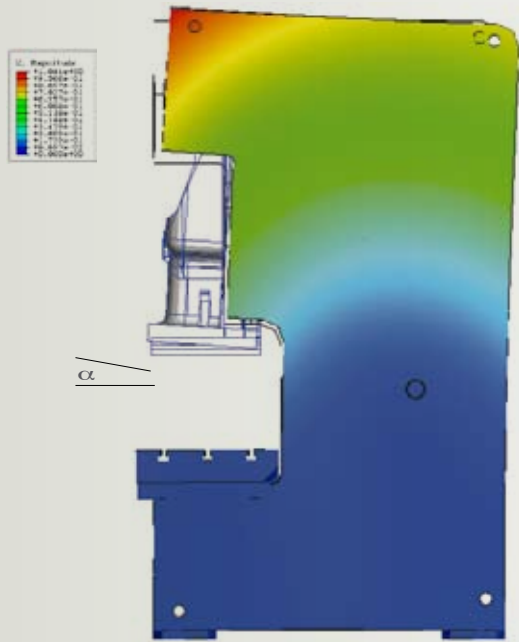


The guide in front and rear side is larger, the intensity promotes to double of C type. Highly-precise guide could maintain dynamic precision, which is located at the center line of the slide and especially suitable for highly-precise pressing application.

SNS1 Stroke & Pressure Curve



High Rigidity Structure



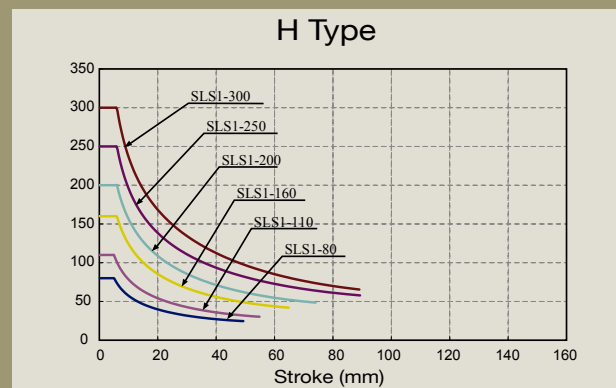
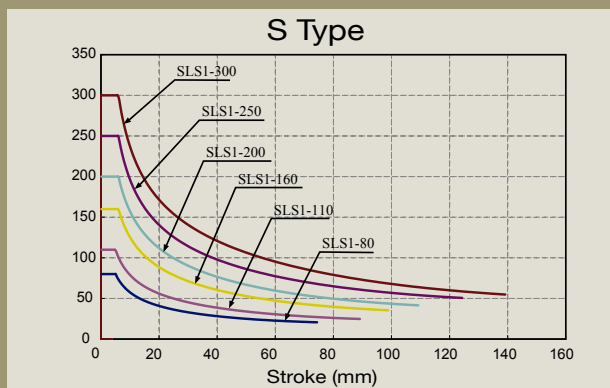
C Type



Straight Side Press

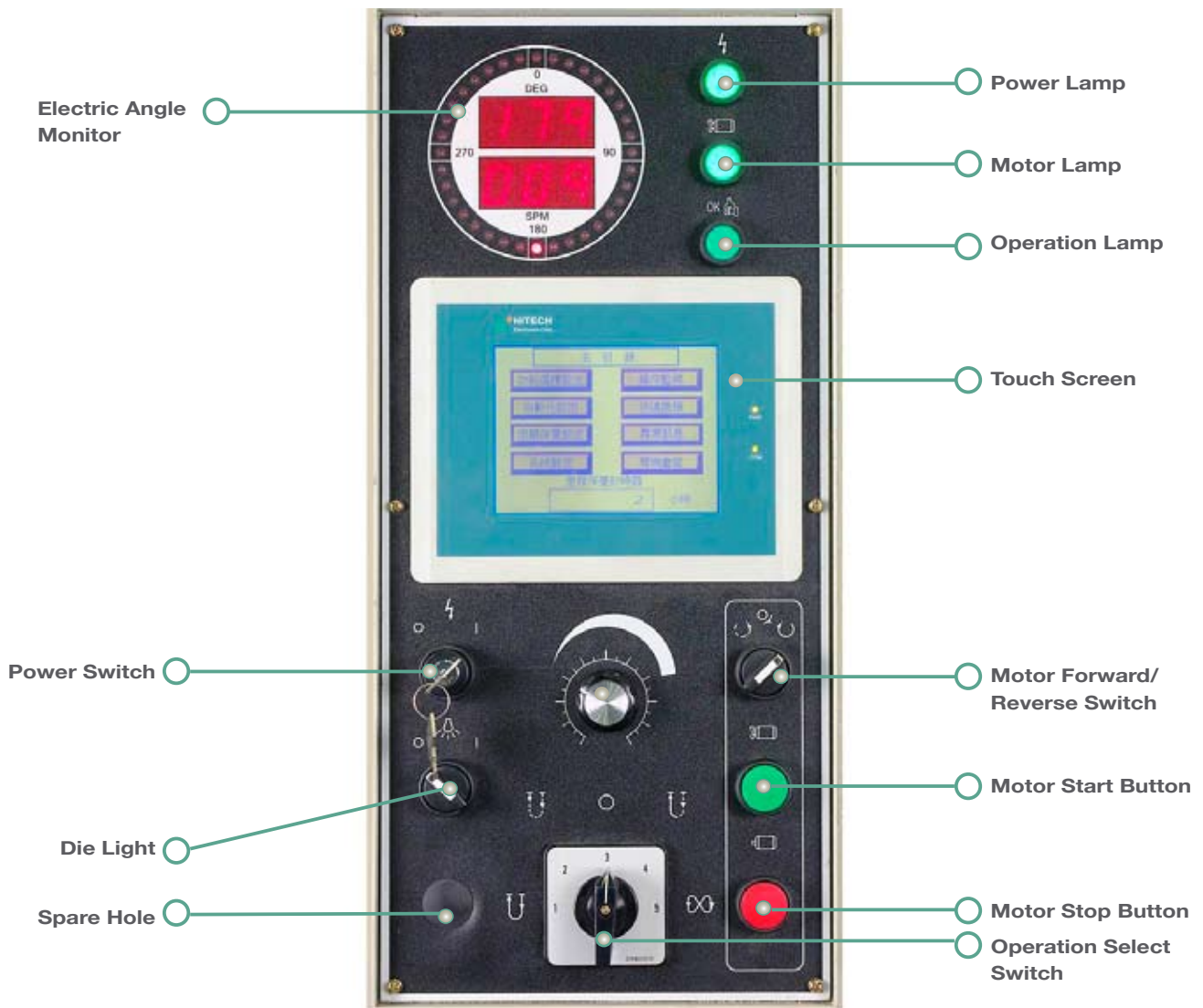
1. Rigid frame designed, without further tilting inclination comparing to conventional C frame presses.
2. Main frame rigidity structure is higher than C type, eliminates noise and pollution caused by pressing operations, and is suitable for continuous mode of operation.

SLS1 Stroke & Pressure Curve





PPC-9000

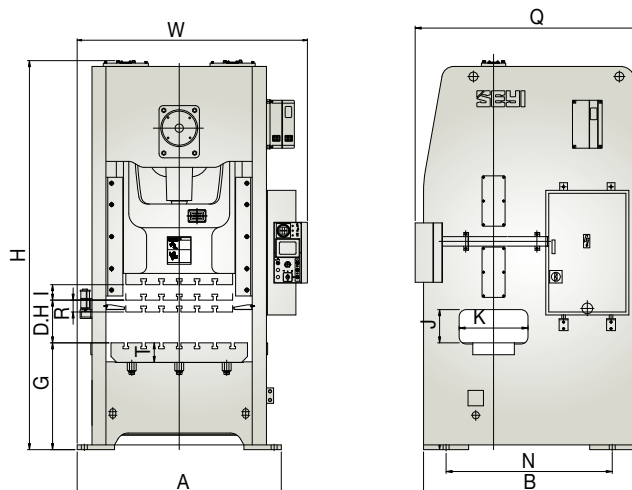


User-Friendly

- >>> With touchscreen, panel monitor, easy access operation.
- >>> Monitor display abnormal condition, easy detection.
- >>> Easy access functional operation, applicable for functional upgrade as duly designed on the interface.
- >>> Auto-tune function, more precise.
- >>> Human-machine-interface touchscreen, able to select functional application as per customer needs.



SNS1 Layout Drawing



SNS1 Specifications

Model Type	SNS1-80		SNS1-110		SNS1-160		SNS1-200		SNS1-250		SNS1-300	
	S	H	S	H	S	H	S	H	S	H	S	H
Capacity	tf 80		110		160		200		250		300	
Stroke Length	(l)mm 150 100		180 110		200 130		220 150		250 180		280 180	
Stroke per minute	S.P.M. 40~75 55~125		35~65 50~110		30~55 40~95		25~45 35~80		22~40 30~60		20~35 25~50	
Rated Tonnage Point	mm 5		5		6		6		6		6	
Die height	(D.H)mm 330 300		350 320		400 360		450 400		450 400		500 400	
Slide Adjustment	(R)mm 80		90		100		110		120		120	
Slide Area	(LRxFR)mm 700x460		800x520		900x580		1000x650		1100x720		1150x800	
Diameter of Shank Hole	mm ø50.8		ø50.8		ø65		ø65		ø65		ø65	
Bolster Area	(LRxFR)mm 900x680 900x460		1000x680 1000x520		1150x760 1150x600		1250x840 1250x680		1350x900 1350x750		1400x1050 1400x850	
Bolster Thickness	(T)mm 140		155		165		180		180		200	
Bolster Height	(G)mm 900		900		940 900		1020 1000		1020 1000		1040 1020	
Main Motor	HP x P 10x4		15x4		20x4		25x4		30x4		40x4	
Slide Adjustment Motor	HP x P 0.5x4		0.5x4		1x4		1x4		1x4		2x4	
Window opening	(KxJ)mm 440x280 370x250		500x300 420x270		560x350 470x310		620x400 520x350		680x400 570x350		760x450 650x350	
Foot Size	(AxB)mm 1430x1470 1430x1420		1560x1600 1560x1550		1720x1780 1720x1730		1870x1980 1870x1930		1990x2150 1990x2100		2070x2297 2070x2247	
Required Floor Space	(WxQ)mm 1630x1740		1765x1875		1905x2055		2055x2245		2175x2500		2255x2580	
Press Height (w/o Mounts)	(H)mm 2765		3000		3320 3280		3740 3720		4020 4000		4200 4030	
Upper Die Weight	kgf 300		350		500		800		1000		1000	
Air Pressure Required	Kg/cm ² 5		5		5		5		5		5	

Die Cushion (Option)

Capacity	Tons	6	—	6	—	8	—	10	—	10	—	14	—
Stroke Length	mm	95	—	95	—	110	—	130	—	130	—	140	—
Die Cushion Area	(LRxFR)mm	480x340	—	480x340	—	560x370	—	700x450	—	700x450	—	700x450	—

*Materials and specifications are subject to change without notice.

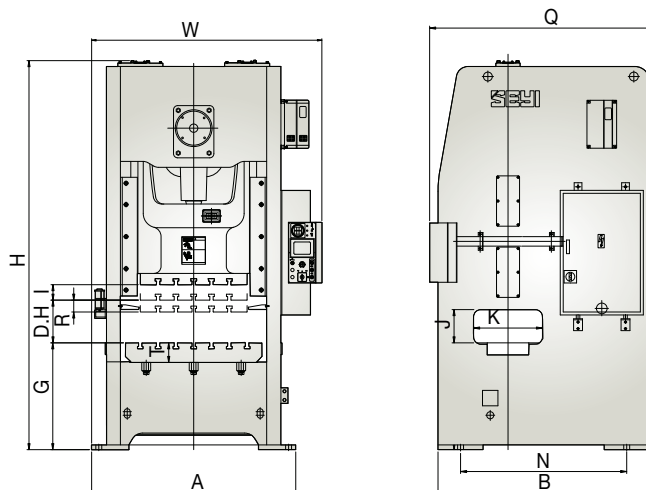
General Attachment

- Main Motor with Inverter
- Combination wet clutch / brake
- Hydraulic Overload Protection
- PPC 9000 control system
 - Digital monitor with crank angle and SPM
 - Touch panel display with press running / error message
- Motorized Slide Adjusting Device
- Automatic grease lubrication system
- Counter Balancer
- Die height indicator (scale unit : 0.1mm)
- Programmable Cam Switch
- Portable Operation Stand - 1 Set
- Antirepeat safety device
- Main Motor FWD./REV. Controller
- Total Counter - 1 Set
- Preset Counter - 1 Set
- Maintenance Counter - 1 Set
- Spare CAM 8 - Sets
- Misfeed Detector Socket - 4 Sets (2A, 2B)
- Air Ejector - 1 Set
- Air Outlet - 1 Set
- Maintenance Tools Box

Optional Attachments

- Photoelectric Safety Device
- Anti-vibration Mounts
- Tonnage Monitor
- Safety Block
- Die Lighting Device
- Lamp Socket (1A)
- Foot Switch
- L/H Hands Selector switch
- Pneumatic Die Cushion
- Adjustable Single Shot Oiler
- Bottom Dead Center Detector
- Quick Die Change Device (Q.D.C.)

SNS1 Layout Drawing



SLS1 Specifications

Model Type	SLS1-80		SLS1-110		SLS1-160		SLS1-200		SLS1-250		SLS1-300	
	S	H	S	H	S	H	S	H	S	H	S	H
Capacity (tf)	80		110		160		200		250		300	
Stroke Length (l)mm	150	100	180	110	200	130	220	150	250	180	280	180
Stroke per minute (S.P.M.)	40~75	55~110	35~65	50~100	30~55	40~85	25~45	35~70	22~40	30~60	20~35	25~50
Rated Tonnage Point (mm)	5		5		6		6		6		6	
Die height (D.H)mm	330	300	350	320	400	360	450	400	450	400	500	400
Slide Adjustment (R)mm	80		90		100		110		120		120	
Slide Area (LRxFR)mm	700x460		800x520		900x580		1000x650		1100x720		1150x800	
Diameter of Shank Hole (mm)	ø50.8		ø50.8		ø65		ø65		ø65		ø65	
Bolster Area (LRxFR)mm	900x680	900x460	1000x680	1000x520	1150x760	1150x600	1250x840	1250x680	1350x900	1350x750	1400x1050	1400x850
Bolster Thickness (T)mm	140		155		165		180		180		200	
Bolster Height (G)mm	900		900		940	900	1020	1000	1020	1000	1040	1020
Main Motor (HP x P)	10x4		15x4		20x4		25x4		30x4		40x4	
Slide Adjustment Motor (HP x P)	0.5x4		0.5x4		1x4		1x4		1x4		2x4	
Window opening (KxJ)mm	440x280	370x250	500x300	420x270	560x350	470x310	620x400	520x350	680x400	570x350	760x450	650x350
Foot size (AxB)mm	1430x1470	1430x1420	1560x1600	1560x1550	1720x1780	1720x1730	1870x1980	1870x1930	1990x2150	1990x2100	2070x2297	2070x2247
Required Floor Space (WxQ)mm	1630x1740		1765x1875		1905x2055		2055x2245		2175x2500		2255x2580	
Press Height (w/o Mounts) (H)mm	2765		3000		3320	3280	3740	3720	4020	4000	4200	4030
Upper Die Weight (kgf)	300		350		500		800		1000		1000	
Air Pressure Required (Kgf/cm ²)	5		5		5		5		5		5	

Die Cushion (Option)

Capacity (Tons)	6	—	6	—	8	—	10	—	10	—	14	—
Stroke Length (mm)	95	—	95	—	110	—	130	—	130	—	140	—
Die Cushion Area (LRxFR)mm	480x340	—	480x340	—	560x370	—	700x450	—	700x450	—	700x450	—

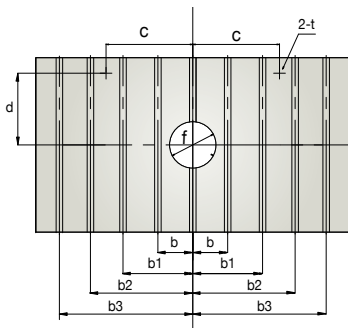
*Materials and specifications are subject to change without notice.

General Attachment

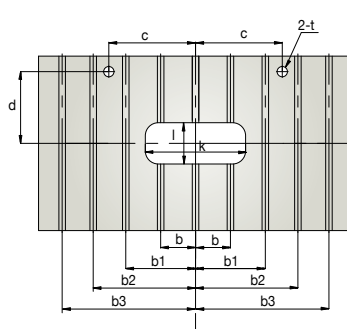
- Main Motor with Inverter
- Combination wet clutch / brake
- Hydraulic Overload Protection
- PPC 9000 control system
 - Digital monitor with crank angle and SPM
 - Touch panel display with press running / error message
- Motorized Slide Adjusting Device
- Automatic grease lubrication system
- Counter Balancer
- Die height indicator (scale unit : 0.1mm)
- Programmable Cam Switch
- Portable Operation Stand - 1 Set
- Antirepeat safety device
- Main Motor FWD./REV. Controller
- Total Counter - 1 Set
- Preset Counter - 1 Set
- Maintenance Counter - 1 Set
- Spare CAM 8 - Sets
- Misfeed Detector Socket - 4 Sets (2A, 2B)
- Air Ejector - 1 Set
- Air Outlet - 1 Set
- Maintenance Tools Box

Optional Attachments

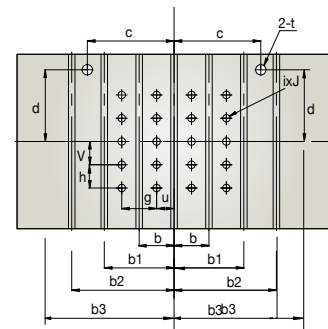
- Photoelectric Safety Device
- Anti-vibration Mounts
- Tonnage Monitor
- Safety Block
- Die Lighting Device
- Lamp Socket (1A)
- Foot Switch
- L/H Hands Selector switch
- Pneumatic Die Cushion
- Adjustable Single Shot Oiler
- Bottom Dead Center Detector
- Quick Die Change Device (Q.D.C.)



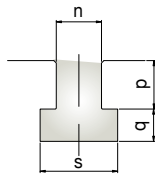
Surface of bolster-
Round type(Standard)



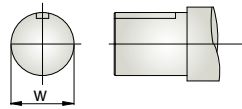
Surface of bolster-
Rectangular type



Surface of bolster-
Die cushion



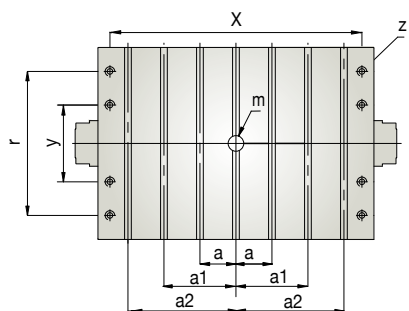
Size of T-slot



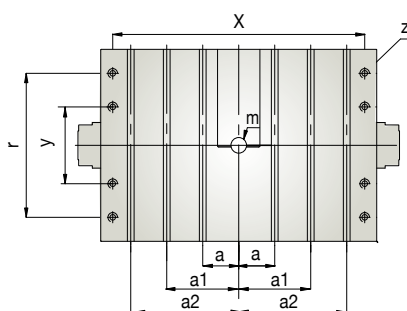
Surface of take-off shaft (Option)

Model	SNS1-80		SNS1-110		SNS1-160		SNS1-200		SNS1-250		SNS1-300	
	SLS1-80		SLS1-110		SLS1-160		SLS1-200		SLS1-250		SLS1-300	
Type	S	H	S	H	S	H	S	H	S	H	S	H
b	150		150		150		150		150		150	
b1	300		300		300		300		300		300	
b2	—		—		450		450		450		450	
b3	—		—		—		—		—		600	
c	200		200		200		200		250		250	
f	Ø180		Ø200		Ø220		Ø250		Ø270		Ø270	
d	315	180	315	220	340	260	380	300	410	335	450	335
g	140		140		150		150		150		150	
h	90		90		100		100		100		100	
i (R.LxF.B)	4x4		4x4		4x4		4x5		4x5		4x5	
j	Ø32		Ø32		Ø32		Ø32		Ø32		Ø32	
k	360		400		440		480		540		540	
l	180		200		220		240		270		270	
n	28		28		28		28		28		28	
p	30		30		30		30		30		30	
q	20		20		20		20		20		20	
s	48		48		48		48		48		48	
t	Ø30		Ø30		Ø30		Ø30		Ø30		Ø30	
u	75		75		75		75		75		75	
v	45		45		50		100		100		100	
w	Ø40 h7		Ø70 h7		Ø70 h7		Ø70 h7		Ø70 h7		Ø70 h7	

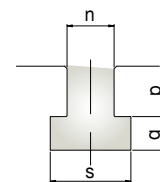
*Materials and specifications are subject to change without notice.



Without shank holder



With shank holder



Size of T-slot

Area of slide (SNS1/SLS1-80,110 With shank holder, 160~300 Without shank holder)

Model	SNS1-80		SNS1-110		SNS1-160		SNS1-200		SNS1-250		SNS1-300	
	SLS1-80		SLS1-110		SLS1-160		SLS1-200		SLS1-250		SLS1-300	
Type	S	H	S	H	S	H	S	H	S	H	S	H
a	150		150		150		150		150		150	
a1	240		300		300		300		300		300	
a2	—		—		—		—		440		450	
m	ø50.8		ø50.8		ø65		ø65		ø65		ø65	
n	28		28		28		28		28		28	
p	30		30		30		30		30		30	
q	20		20		20		20		20		20	
s	48		48		48		48		48		48	
x	600		700		800		900		1000		1050	
r	360		420		480		550		600		600	
y	240		260		280		280		320		320	
z	8-Ø18		8-Ø23		8-Ø23		8-Ø23		8-Ø23		8-Ø23	

※Materials and specifications are subject to change without notice.

Top Development ■ Eternal Service



SHIEH YIH MACHINERY INDUSTRY CO., LTD.

HEADQUARTERS NO.446, Nan Shang Rd., Kueisan Hsiang, Taoyuan, Taiwan
TEL: +886-3-352-5466 FAX: +886-3-352-5488
www.seyi.com

XIE YI TECH MACHINERY(CHINA) CO., LTD.

KUNSHAN FACTORY TEL: +86-512-5740-7900 FAX: +86-512-5740-7899
www.seyi.com.cn

DONGGUAN BRANCH TEL: +86-769-8502-8531 FAX: +86-769-8502-8530
www.seyi.com.cn

SEYI-AMERICA, INC.

CALIFORNIA TEL: +1-909-839-1151
FAX: +1-909-839-1150
www.seyiamerica.com

TENNESSEE TEL: +1-931-455-7700
FAX: +1-931-455-6092
www.seyiamerica.com

SEYI Presses Europe GmbH

EUROPE www.seyi-europe.com