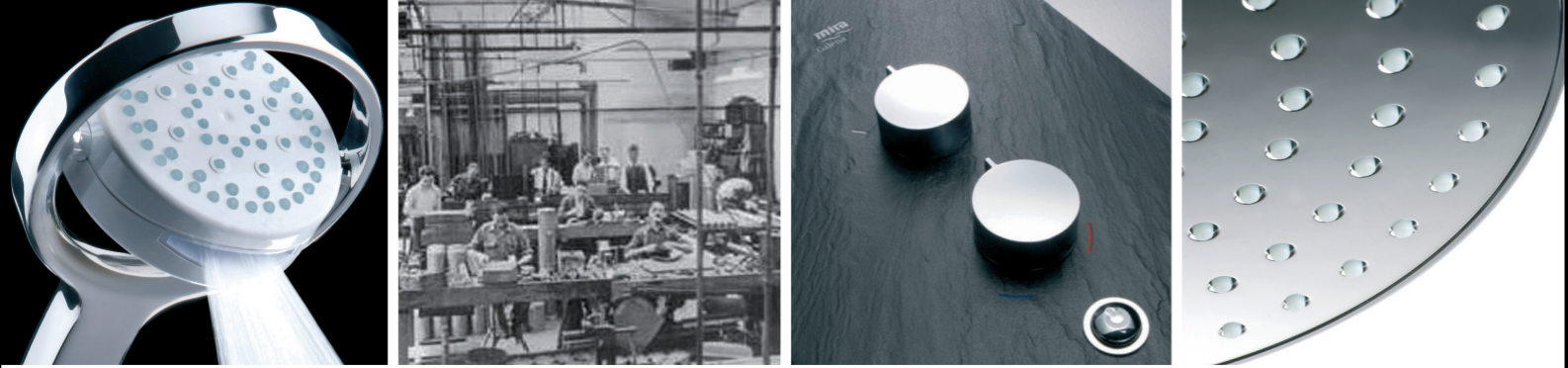




Product Directory 2014

Mira Showers, Enclosures & Trays

mira
SHOWERS

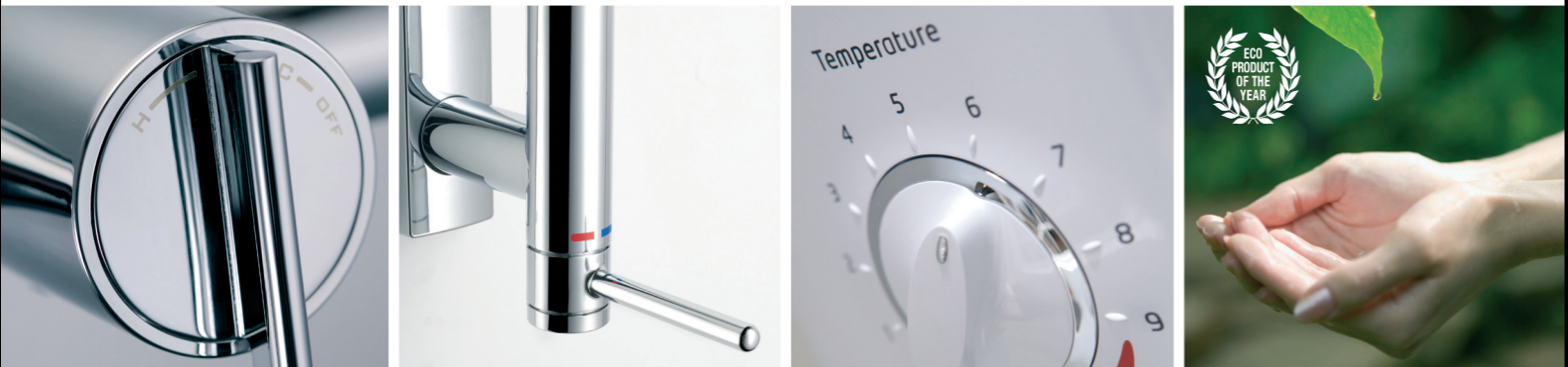


90 YEARS of Showering

Why we're still No.1 after 90 years.

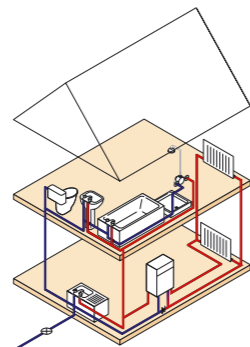
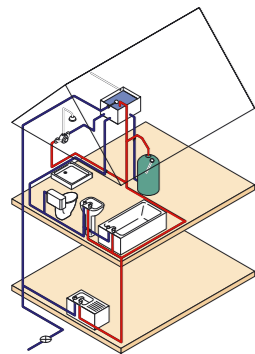


Water always has been and always will be at the heart of everything we do. We've learnt from it, each and every droplet. We've learnt that by empowering it with Magni-flo™ we can make it 3x more powerful, that by amplifying it with Airboost™ we can make it go further, and by harnessing it with Flipstream™ we can literally make it dance. But most of all, it has given us the knowledge to shape our designs and continually shape the future of showering. Which means, today or tomorrow, you'll always experience the moment when the world can wait. The moment of... *Showering perfection™*



Choosing your shower

Step 1: What kind of water system do you have?



Low pressure gravity system

You'll know you have this system if:

There's a cold water tank in your loft and a hot water cylinder in your airing cupboard.

We recommend:

- Mixer showers (with optional pump for stronger flow)
- Digital mixer showers
- Power showers

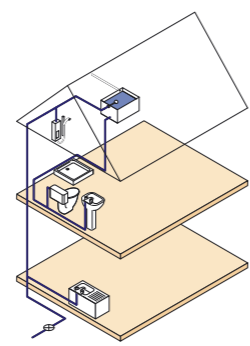
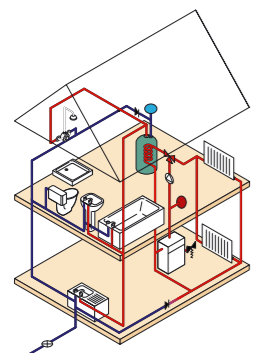
High pressure - mains pressure combination boiler

You'll know you have this system if:

You have a boiler the size of a small kitchen cupboard somewhere in your house – you won't have hot and cold water tanks.

We recommend:

- Mixer showers
- Digital mixer showers
- Energy-saving eco showers



High pressure - mains pressure unvented

You'll know you have this system if:

You have a boiler the size of a small kitchen cupboard somewhere in your house.

We recommend:

- Mixer showers (for a powerful flow)
- Digital mixer showers (for a powerful flow)
- Energy-saving eco showers

Cold mains supply

You'll know you have this system if:

You don't have stored hot water at all or, don't want to use up all the hot water when you have a shower.

We recommend:

- Electric showers (the higher the kW rating, the stronger the flow)
- Pumped Mira Elite ST for low pressure cold water supplies*

*Must be tank fed

At a glance



Compatible with all systems.



Mains pressure combination boiler. Mains pressure unvented. Low pressure gravity with pump.



Low pressure gravity system.



Cold mains supply only.

NOTE: If in doubt, give us a call or contact a qualified plumber.

Step 2: What type of shower do you need?

If you're replacing a shower and you don't want to re-tile, it's worth checking the position of the hot and cold water pipes and the shape and size of the replacement shower. That way you'll be sure that the new shower fits over the old screw holes and onto the pipework. To make life easier, some of our mixer showers have adjustability on the inlet pipe centres.

Mixer showers

Mixer showers take water from both your hot and cold water supplies and mix it to create your ideal temperature.

- Most Mira mixers feature Magni-flo™ which provides up to 3x more flow even on low pressure
- Optional Mira twin enduro pumps for low-pressure systems
- Range of styles and sizes
- Choice of temperature control – manual, pressure balanced or thermostatic
- Most mixers work on all water systems



Power showers

Power showers take water from the stored hot and cold water supplies and mix it together to create your ideal temperature. All-in-one power showers have an in-built pump which also boosts the flow of water.

- Choose either an all-in-one or mixer shower and pump combination
- Perfect for homes with plenty of hot water
- Not suitable for high pressure systems



Digital mixer showers

Digital mixers take water from your hot and cold supplies and mix it together. The digital technology ensures you enjoy the exact temperature, every time.

- Variants available for different systems
- Stabilises temperature digitally
- Additional warm up and lock off modes
- Easy to install
- Mixer unit can be mounted away from the shower, such as in the loft
- Reduced pipework
- Remote wireless control



Electric showers*

Electric showers take water from your cold water supply and warm it by passing it safely over heating elements contained within the unit.

- Works even if your boiler fails
- Works without the need for stored hot water
- All our electric showers are approved as water efficient because they use less water
- The pumped Mira Elite ST is available for low pressure gravity systems



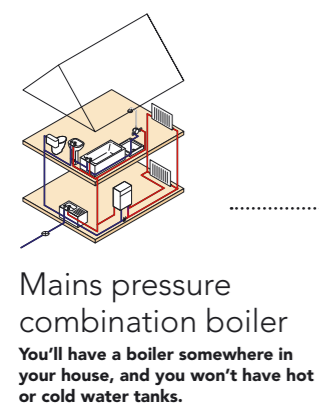
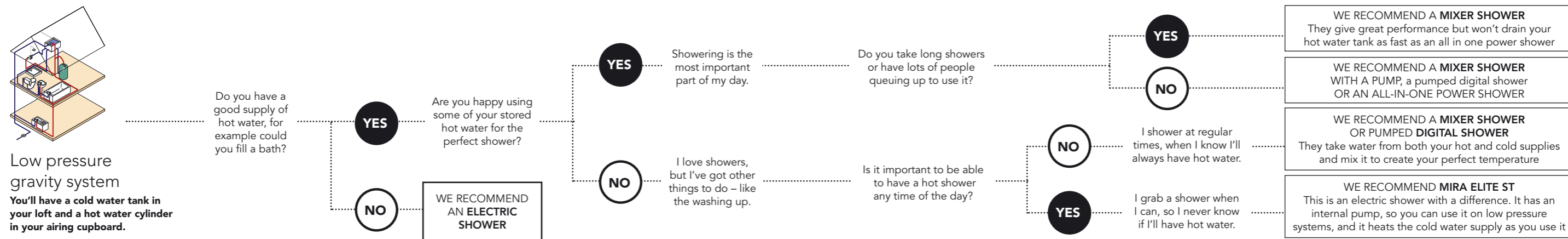
Eco showers

Our eco showers use flow regulators to limit the maximum flow of water, and our eco showerheads uses aerating technology to create the sensation of a normal, drenching flow while using a lot less water. Our eco showerheads are to be used with our mixer showers only.



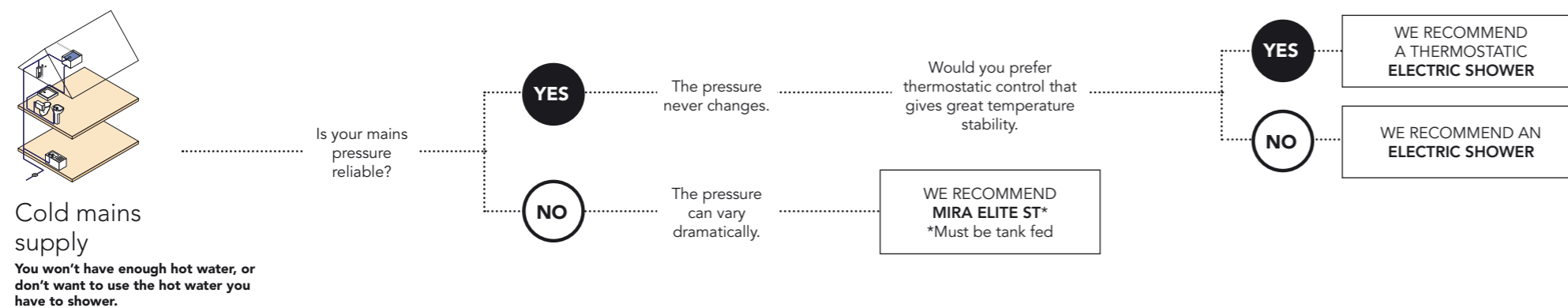
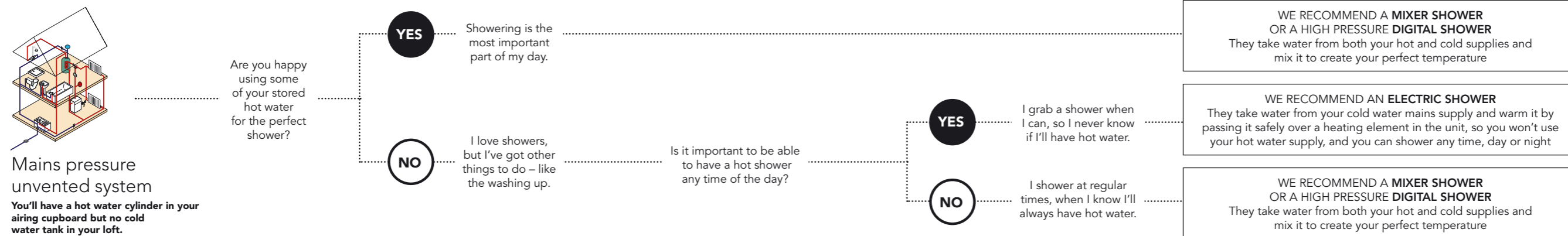
*If you're replacing an existing electric shower your installer will need to ensure that the installation complies with the latest wiring regulations.

Step 3: Our shower selector makes choosing easy



WE ALWAYS RECOMMEND A MIXER SHOWER OR A HIGH PRESSURE DIGITAL SHOWER
If you've got a combination boiler, always fit a mixer shower for great performance and the perfect shower experience

Need more help?
Call 0844 571 5000



Mixer showers

Mixer showers are ideal if you have lots of stored hot water, and if you have a high pressure system, a mixer shower should give you a more powerful flow than an electric one.

Mixer showers take water from your hot and cold supplies and mix them to create the perfect temperature. Most Mira mixers work on all the common UK water systems, but it's important to check before installation. If you have a low pressure system, you can boost the flow by adding a Mira shower pump.

Choosing your temperature control

Mixer showers have 3 different types of temperature control.

Manual means your shower temperature may vary as it can't compensate for changes in the incoming supply temperature or pressure.

Pressure Balancing mixers compensate for any change in water pressure. Giving you a constant showering temperature, as long as the supply temperature remains constant.

Thermostatic control constantly monitors the incoming water temperature and adjusts itself to keep the temperature stable. It offers excellent control and stability, which is ideal for families with young children or the elderly.

Mira Magni-flo™

Make your showering experience the very best it can be with our revolutionary Mira Magni-flo™ technology.

Our unique, patented Magni-flo™ technology really sets our mixer showers apart. The revolutionary design provides up to 3 times* more water flow, even at low pressure. Making Mira mixers the most powerful mixers available in the UK today.

*When tested under identical conditions against a range of similar mixers at 0.1 bar pressure, which is normal in homes with low pressure. Results show that mixers with Magni-flo™ can give up to 3 times more flow than mixers from other shower companies.

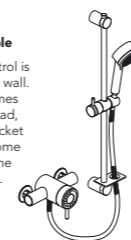
Overview - mixer showers

We've got a wide range of designs to choose from. Some of these designs are available in different configurations – EV, BIR, BIV, ER and ERD, so you can choose the style and configuration to suit you.

Valve types explained

EV exposed variable

The shower control is mounted on the wall. Your shower comes with a showerhead, hose, clamp bracket and slide bar. Some models also come with a soap dish.



BIR built-in rigid

The controls and showerhead are both built into the wall. There's no hose or slide bar, so your shower has a minimalist look.



BIV built-in variable

The shower control is built into the wall for a smart, clean finish. The shower comes with a showerhead, hose, right-angled hose connector, clamp bracket and slide bar. Some models have a soap dish too.



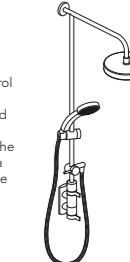
ER exposed rigid

The shower control and showerhead are both mounted on the wall on a single riser bar.



ERD exposed rigid with diverter

The shower control and showerhead are both mounted on the wall on a single riser bar. The shower also has a second adjustable showerhead.



Mira Agile range

- Mira Agile S EV
- Mira Agile EV
- Mira Agile ERD
- Mira Agile Sense EV+
- Mira Agile Sense ERD
- Mira Agile Sense ERD+
- Mira Agile S Eco EV
- Mira Agile Eco EV

10-13



Mira Agile Accessories

- Mira Agile Sense Module
- Mira Agile Store Module
- Mira Agile Cleanse Module
- Mira Park

13



Mira Adept range

- Mira Adept BIV, BIR, BIR+, BRD & BRD+
- Mira Adept Eco BIV

14-16



Mira Adept Accessories

- Mira Adept Cleanse Module
- Mira Adept Store Module

16



Mira Coda range

- Mira Coda EV
- Mira Coda Pro EV
- Mira Coda Pro ERD

18



Mira Silver range

- Mira Silver EV, BIR & BIV

19



Mira Minilite range

- Mira Minilite EV & BIV
- Mira Minilite Eco EV Eco & BIV Eco

20-21



Mira Miniduo range

- Mira Miniduo EV & BIV
- Mira Miniduo EV, BIR & BIV with Eco showerhead

22-23



Mira Element range

- Mira Element EV, BIR & BIV
- Mira Element SLT EV, SLT BIR & SLT BIV

24-25



Mira Tabla range

- Mira Tabla

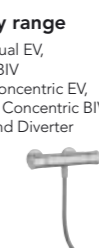
26



Mira Discovery range

- Mira Discovery Dual EV, Dual BIR & Dual BIV
- Mira Discovery Concentric EV, Concentric BIR & Concentric BIV
- Mira Discovery and Diverter

28-31



Mira Minibelle range

- Mira Minibelle

32



Mira Myline range

- Mira Myline

33



Mira Bijou range

- Mira Bijou

34



Mira Miniluxe range

- Mira Miniluxe ER
- Mira Miniluxe with diverter ERD

35



Mira Calibre range

- Mira Calibre EV
- Mira Calibre ER

36-37



Mira Select range

- Mira Select EV
- Mira Select BIV
- Mira Select BIR
- Mira Select Flex

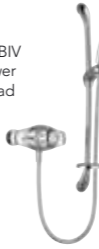
38-39



Mira Excel range

- Mira Excel EV, BIR & BIV
- Mira Excel bath shower mixer with showerhead

40-41



Mira Realm range

- Mira Realm ER
- Mira Realm with diverter ERD

42



Mira Twin Pumps range

- Mira Twin Pump 1.5 bar, 2.0 bar & 3.0 bar

43



Mira Agile

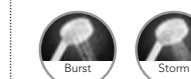
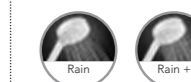
A neat, contemporary shower with a smooth, easy to clean form.

Product features

- Flush to wall unibody design eliminates conventional plumbing fixings
- Separate temperature and flow controls (excludes Agile S EV which has one single control for on/off and temperature)
- Mira Magni-flo™ gives up to 3 times more flow than similar mixer showers even at low pressure
- Revolutionary new installation system with 50mm pipe centres for quick and easy installation
- Compatible with Mira Agile plug-in accessories (excludes Agile S EV)



SPRAY TYPES



Mira Agile S EV
Exposed valve with adjustable fittings, chrome finish.
1.1736.401
£180.00



Mira Agile EV
Exposed valve with adjustable fittings, chrome finish.
1.1736.402
£270.00



Mira Agile Store EV+
Exposed valve with adjustable fittings, chrome finish.
1.1736.413
£294.00



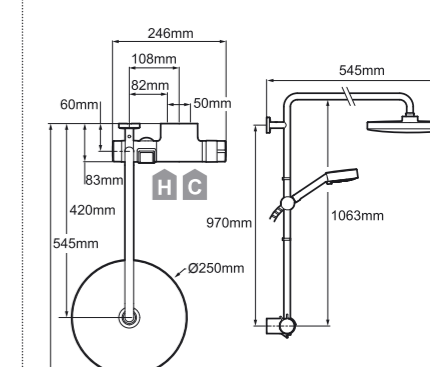
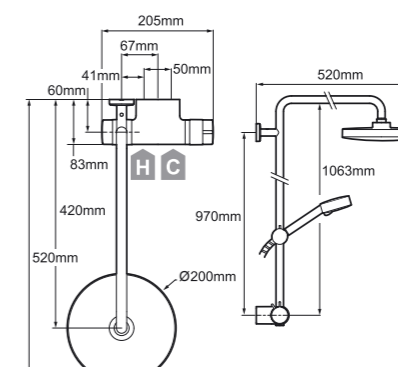
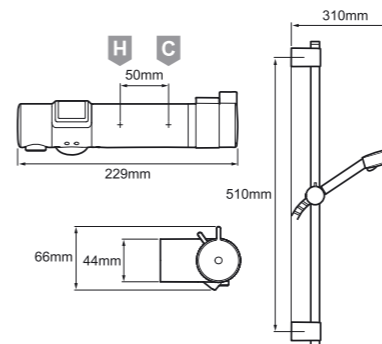
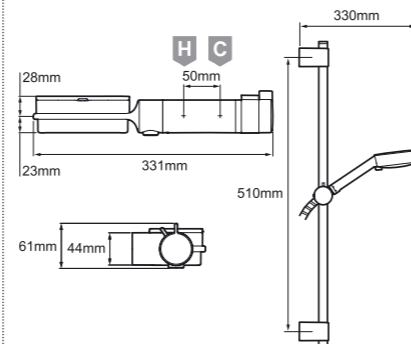
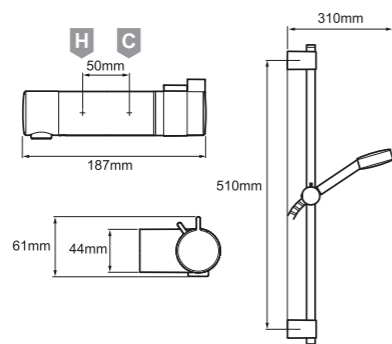
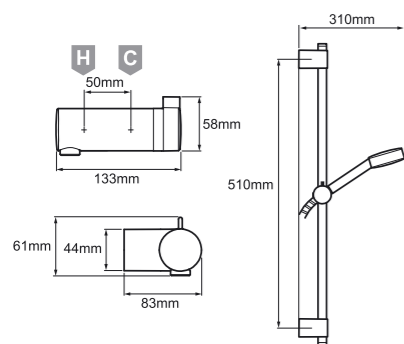
Mira Agile Sense EV+
Exposed valve with adjustable fittings, chrome finish.
1.1736.412
£330.00



Mira Agile ERD
Exposed valve with diverter, chrome finish.
1.1736.403
£408.00



Mira Agile Sense ERD+
Exposed valve with diverter, chrome finish.
1.1736.414
£540.00



Mira Agile Eco

A neat, contemporary shower which delivers a great performance whilst using up to 50% less water.

Product features

- Flush to wall unibody design eliminates conventional plumbing fixings
- Saves up to 50% more water compared to standard Agile S EV – meets code for sustainable homes requirements, whilst still maintaining performance
- Separate temperature and flow controls
- Revolutionary new installation system with 50mm pipe centres for quick and easy installation
- Compatible with Mira Agile plug-in accessories
- Multi-mode 90mm showerhead with rub-clean nozzles for easy limescale removal
- Minimum pressure required of 0.5 bar



SPRAY TYPES



Mira Agile S Eco EV

Exposed valve with adjustable fittings, chrome finish.

1.1736.400

£180.00

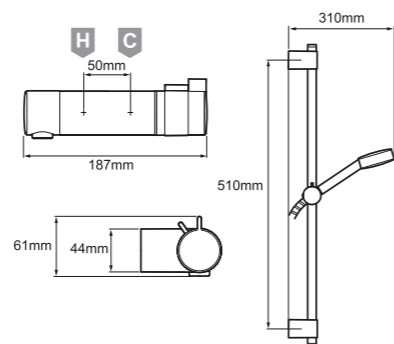
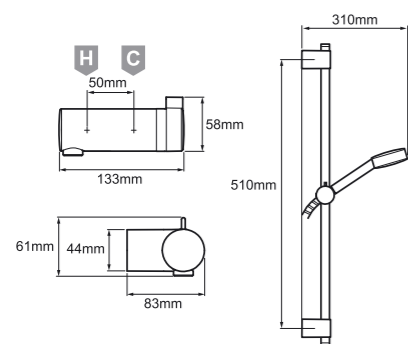
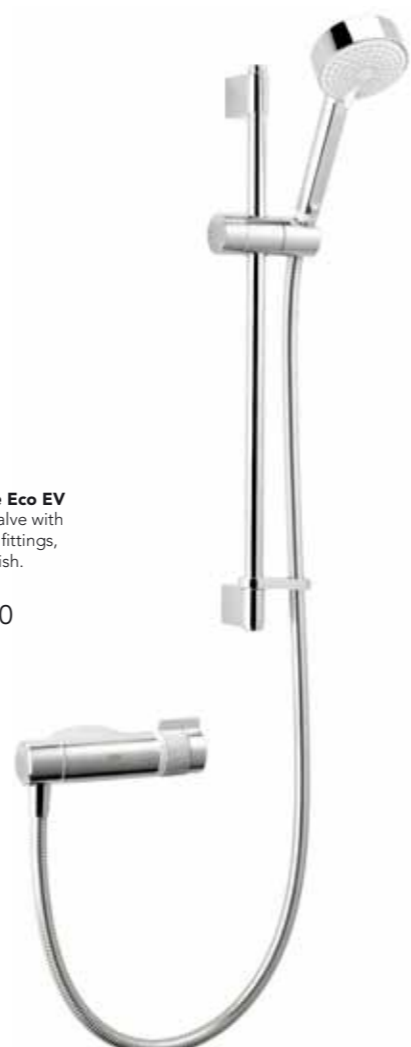


Mira Agile Eco EV

Exposed valve with adjustable fittings, chrome finish.

1.1736.422

£270.00



Mira Agile Accessories

The Mira Agile includes a range of optional accessories. Each one of these unique valve or wall mountable additions takes the showering experience to a completely new level.



Mira Agile Sense Module

Digital display showing temperature for precise control. Integrates into the valve, displaying temperature and time, for precise control.

1.1736.421

£96.00



Mira Agile Store Module

Multi-function design, with the flexibility of a storage pot and soap dish. Compatible with the Mira Agile mixer shower, or as a stand-alone accessory.

1.1736.417

£60.00



Mira Agile Cleanse Module

High quality handmade ceramic pumped dispenser. Compatible with the Mira Agile mixer shower, or as a stand-alone accessory.

1.1736.419

£66.00



Mira Park

Robust metal construction with chrome finish. Compatible with the Mira Agile mixer shower, or as a stand-alone accessory.

1.1736.420

£48.00

Mira Adept

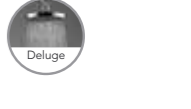
Combining contemporary, integrated looks with great performance and optional style matched accessories.

Product features

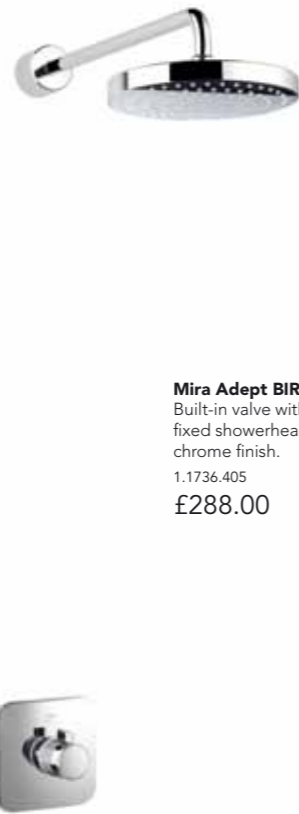
- Separate temperature and flow controls
- Mira Magni-flo™ gives up to 3 times more flow than similar mixer showers even at low pressure
- Accessories available



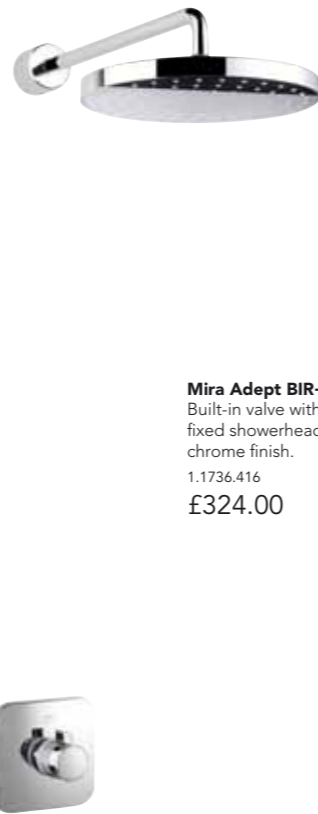
SPRAY TYPES



Mira Adept BIV
Built-in valve with adjustable fittings, chrome finish.
1.1736.404
£288.00



Mira Adept BIR
Built-in valve with fixed showerhead, chrome finish.
1.1736.405
£288.00



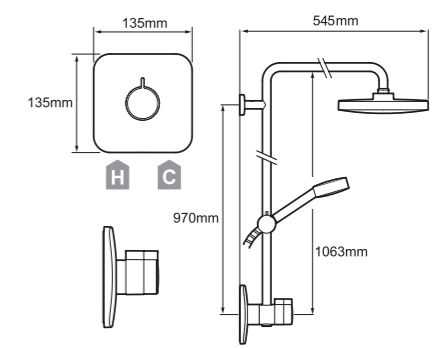
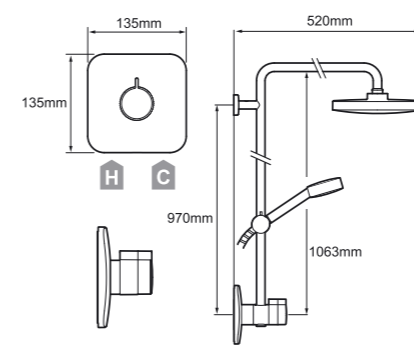
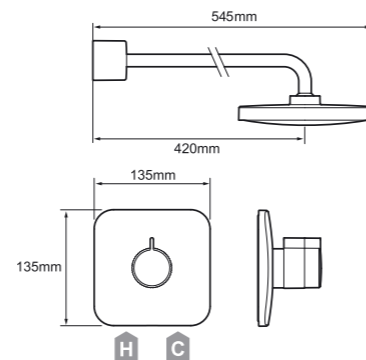
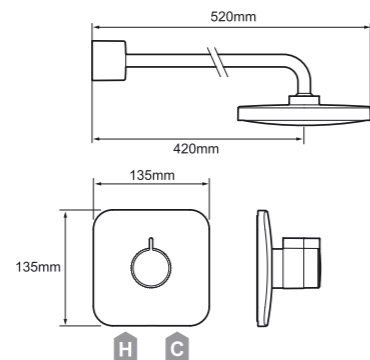
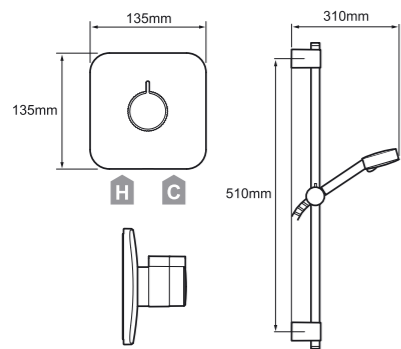
Mira Adept BIR+
Built-in valve with fixed showerhead, chrome finish.
1.1736.416
£324.00



Mira Adept BRD
Built-in valve with diverter, chrome finish.
1.1736.406
£480.00



Mira Adept BRD+
Built-in valve with diverter, chrome finish.
1.1736.415
£540.00



Mira Adept Eco & Accessories

Combines a stylish, integrated look with great performance to deliver a perfect showering experience whilst using up to 50% less water.

Product features

- Saves up to 50% more water compared to standard Adept BIV – meets code for sustainable homes requirements, whilst still maintaining performance
- Separate temperature and flow controls
- Accessories available
- Minimum pressure required of 0.5 bar



SPRAY TYPES



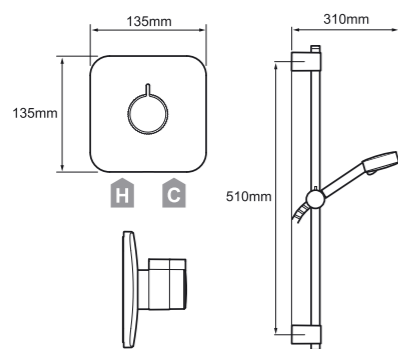
Mira Adept Eco BIV
Built-in valve with adjustable fittings, chrome finish.
1.1736.423
£288.00



Mira Adept Cleanse Module
High quality handmade ceramic pumped dispenser. Compatible with Mira Adept BRD models.
1.1736.424
£66.00



Mira Adept Store Module
Multi-function design, with the flexibility of a storage pot and soap dish. Compatible with Mira Adept BRD models.
1.1736.418
£60.00



Mira Coda

Intuitive design and great performance.

Product features

- Maximum temperature stop for increased safety – with override for a hotter shower
- Separate temperature and flow controls featuring 'Eco' stop for water saving with override function for a more powerful shower (Coda Pro models only)
- Cool Shield™ ensures the valve doesn't get hot during showering
- Single spray 9cm showerhead, with rub-clean nozzles for easy limescale removal (Coda Pro models only)
- Fast-fix, front of tile installation system included (Coda Pro models only)
- Intuitive, integrated diverter allows you to easily divert between the deluge head and handshower (ERD only)



SPRAY TYPES

Mira Coda EV spray types.



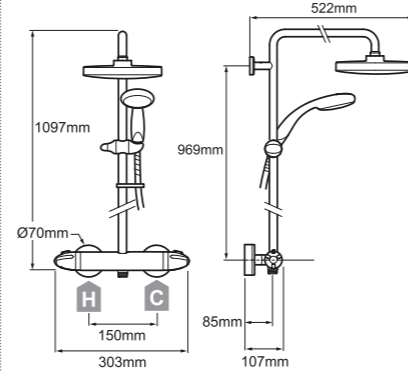
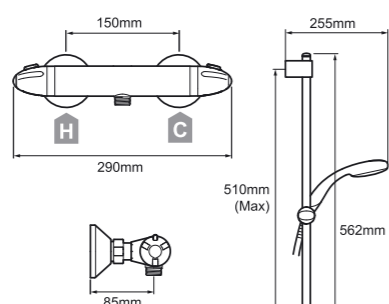
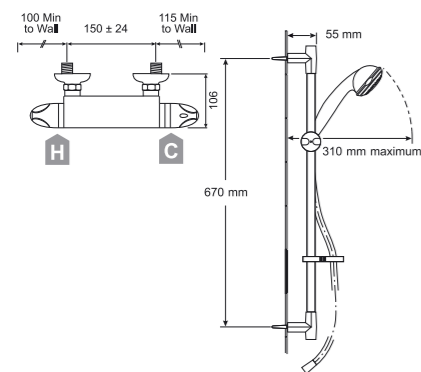
Mira Coda EV
Exposed valve with adjustable fittings, chrome finish.
2.1630.001
£174.00



Mira Coda Pro EV
Exposed valve with easy fit bar valve system.
1.1836.005
£195.60



Mira Coda Pro ERD
Exposed valve with Diverter, chrome finish.
1.1836.006
£379.20



Mira Silver

Brings both thermostatic temperature and flow control into one simple to use dial.

Product features

- Maximum temperature stop for increased safety
- One easy to use control for on/off and temperature
- Mira Magni-flo™ gives up to 3 times more flow than similar mixer showers even at low pressure
- 4 spray showerhead with rub-clean nozzles, or a fixed single spray showerhead depending on choice of model



SPRAY TYPES



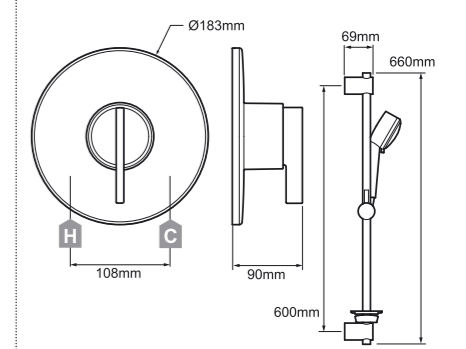
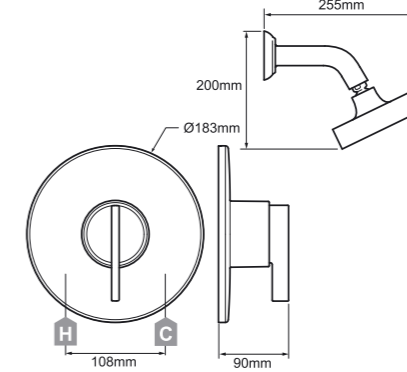
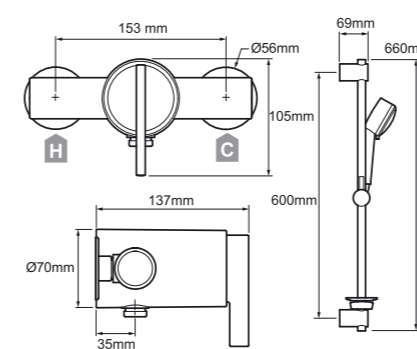
Mira Silver EV
Exposed valve with adjustable fittings, chrome finish.
1.1628.001
£358.80



Mira Silver BIR
Built-in valve with fixed showerhead, chrome finish.
1.1628.003
£369.60



Mira Silver BIV
Built-in valve with adjustable fittings, chrome finish.
1.1628.002
£376.80



Mira Minilite

Half the size of a normal mixer, this compact design helps save space in the bathroom.

Product features

- One control for on/off and temperature
- Mira Magni-flo™ gives up to 3 times more flow than similar mixer showers even at low pressure
- Single spray showerhead with rub-clean nozzles for easy limescale removal
- EV model comes with 110mm pipe centres
- Optional extended elbows pack is available for existing pipework between 133-153mm



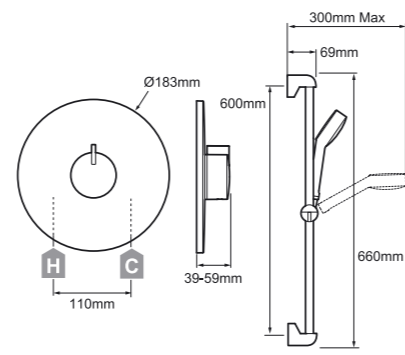
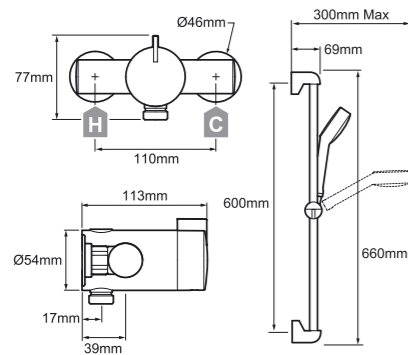
SPRAY TYPES



Mira Minilite EV
Exposed valve with adjustable fittings, chrome finish.
1.1663.003
£243.60



Mira Minilite BIV
Built-in valve with adjustable fittings, chrome finish.
1.1663.007
£256.80



Mira Minilite Eco

Saves up to 50% more water compared to standard Minilite, yet still delivers great performance.

Product features

- One control for on/off and temperature
- Approved by the BMA and Waterwise as a water efficient product
- Single spray showerhead with rub-clean nozzles for easy limescale removal
- EV model comes with 110mm pipe centres
- Optional extended elbows pack is available for existing pipework between 133-153mm (minimum pressure required 0.5 bar).



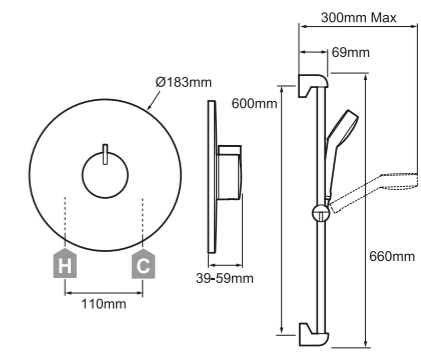
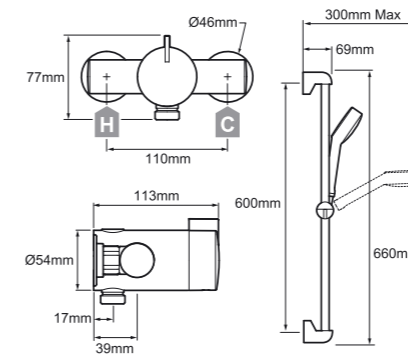
SPRAY TYPES



Mira Minilite EV Eco
Exposed valve with adjustable fittings and 6L flow regulator, chrome finish.
1.1663.239
£243.60



Mira Minilite BIV Eco
Built-in valve with adjustable fittings and 6L flow regulator. Chrome finish.
1.1663.240
£256.80



Mira Miniduo

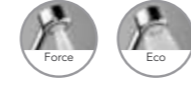
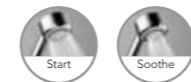
Half the size of a normal mixer, this compact design helps save space in the bathroom.

Product features

- Separate temperature and flow controls
- Mira Magni-flo™ gives up to 3 times more flow than similar mixer showers even at low pressure
- 4 spray showerhead with rub-clean nozzles for easy limescale removal
- EV model comes with 110mm pipe centres
- Optional extended elbows pack is available for existing pipework between 133-153mm



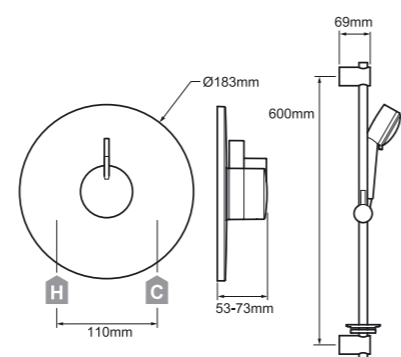
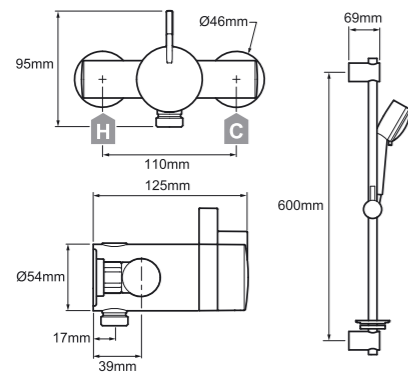
SPRAY TYPES



Mira Miniduo EV
Exposed valve with adjustable fittings, chrome finish.
1.1663.004
£297.60



Mira Miniduo BIV
Built-in valve with adjustable fittings, chrome finish.
1.1663.008
£312.00



Mira Miniduo Eco

Ecoefficient™ technology saves up to 75% water compared to a standard Miniduo, yet still delivers great performance.

Product features

- Separate temperature and flow controls
- Approved by the BMA and Waterwise as a water efficient product
- 3 spray Mira Eco showerhead saves up to 75% more water compared to standard Miniduo at 0.5 bar pressure
- EV model comes with 110mm pipe centres
- Optional extended elbows pack is available for existing pipework between 133-153mm



SPRAY TYPES



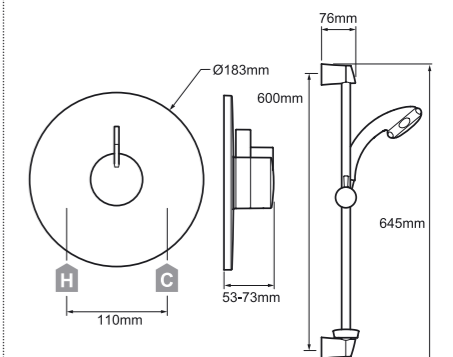
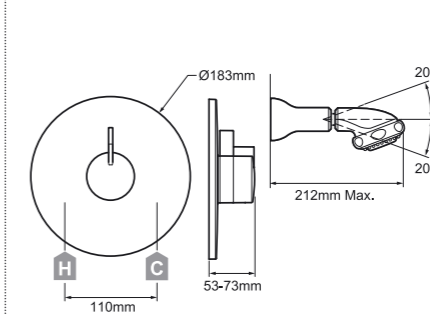
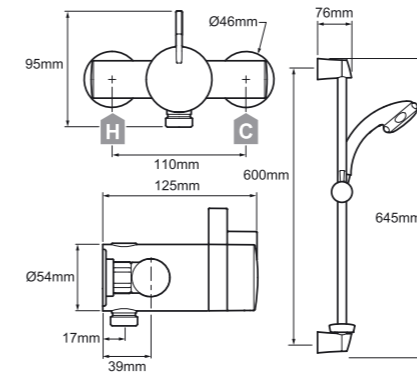
Mira Miniduo EV with Eco showerhead
Exposed valve with adjustable fittings, chrome finish.
1.1663.241
£319.20



Mira Miniduo BIR with Eco showerhead
Built-in valve with fixed showerhead, chrome finish.
1.1663.243
£325.20



Mira Miniduo BIV with Eco showerhead
Built-in valve with adjustable fittings, chrome finish.
1.1663.242
£333.60



Mira Element

Showering simplicity with an easy to use single control.

Product features

- One single control for on/off and temperature
- Mira Magni-flo™ gives up to 3 times more flow than similar mixer showers even at low pressure
- 4 spray showerhead with rub-clean nozzles, or a fixed single spray showerhead depending on choice of model



SPRAY TYPES



Mira Element SLT

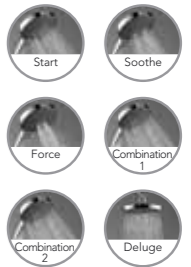
The best performing single lever shower on the market.

Product features

- With 'Lift and Twist' technology, one single lever control for flow and temperature
- Eco flow function uses up to 30% less water
- 5 spray showerhead with rub-clean nozzles, or a fixed single spray showerhead depending on choice of model



SPRAY TYPES



Mira Element EV
Exposed valve with adjustable fittings, chrome finish.
1.1656.001
£313.20



Mira Element BIR
Built-in valve with fixed showerhead, chrome finish.
1.1656.003
£324.00



Mira Element BIV
Built-in valve with adjustable fittings, chrome finish.
1.1656.002
£328.80



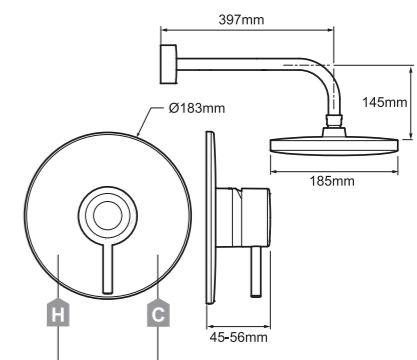
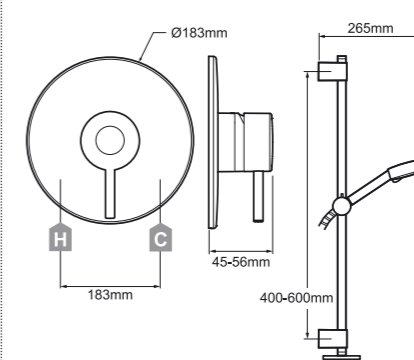
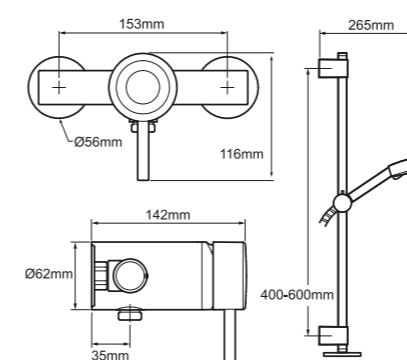
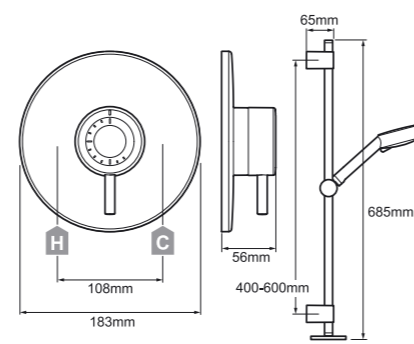
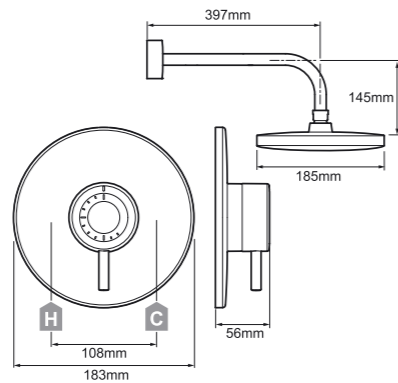
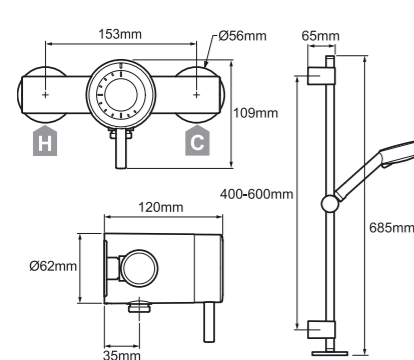
Mira Element SLT EV
Exposed valve with adjustable fittings, chrome finish.
1.1656.011
£373.20



Mira Element SLT BIV
Built-in valve with adjustable fittings, chrome finish.
1.1656.012
£387.60



Mira Element SLT BIR
Built-in valve with fixed showerhead, chrome finish.
1.1656.013
£400.80



Mira Tabla

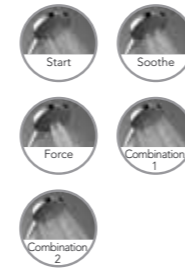
A contemporary design with a clever integrated shelf to keep your bathroom clutter free.

Product features

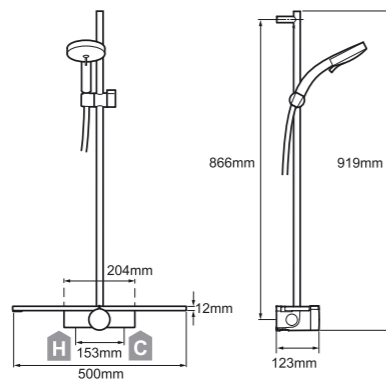
- One easy to use control for on/off and temperature
- Mira Magni-flo™ gives up to 3 times more flow than similar mixer showers even at low pressure
- 500mm shelf made of 10mm thick toughened glass
- Integrated slide bar
- 5 spray showerhead with rub-clean nozzles for easy limescale removal



SPRAY TYPES



Mira Tabla
Exposed valve with adjustable fittings, chrome finish.
1.1672.010
£411.60



Mira Discovery

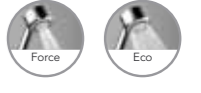
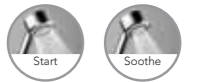
A neat, sleek design with separate temperature and flow controls.

Product features

- Maximum temperature stop for increased safety
- Separate temperature and flow controls
- Mira Magni-flo™ gives up to 3 times more flow than similar mixer showers even at low pressure
- 4 spray showerhead with rub-clean nozzles, or a fixed single spray showerhead depending on choice of model



SPRAY TYPES



Mira Discovery Dual EV
Exposed valve with adjustable fittings, chrome finish.
1.1609.001
£349.20



Mira Discovery Dual BIR
Built-in valve with fixed showerhead, chrome finish.
1.1609.003
£361.20



Mira Discovery Dual BIV
Built-in valve with adjustable fittings, chrome finish.
1.1609.002
£367.20



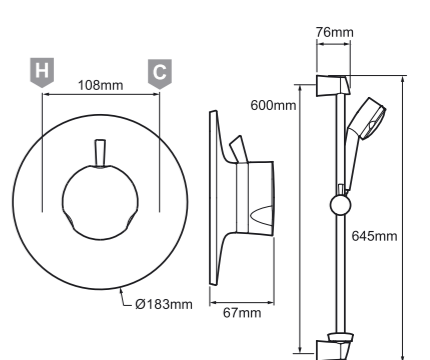
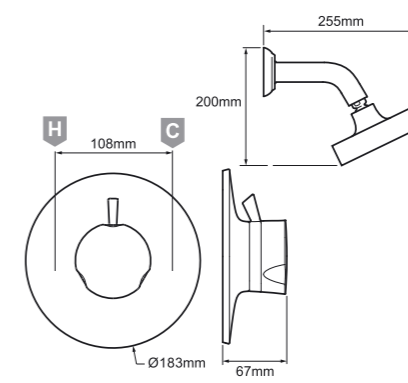
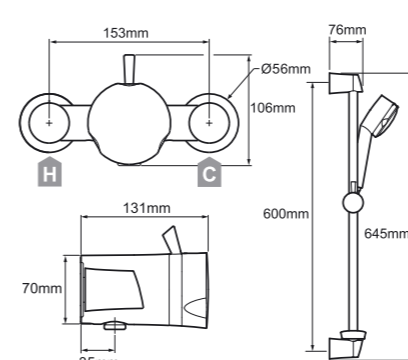
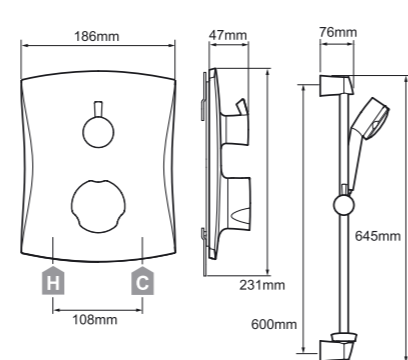
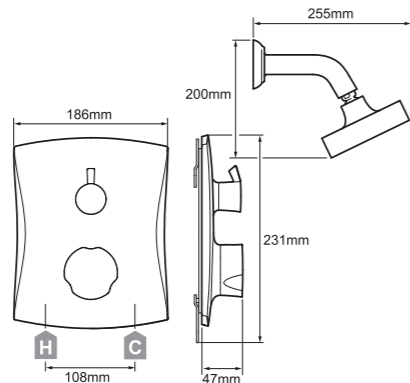
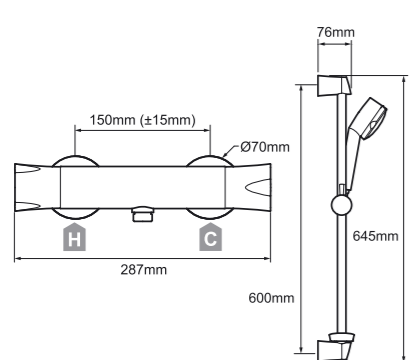
Mira Discovery Concentric EV
Exposed valve with adjustable fittings, chrome finish.
1.1595.001
£394.80



Mira Discovery Concentric BIR
Built-in valve with fixed showerhead, chrome finish.
1.1595.003
£411.60



Mira Discovery Concentric BIV
Built-in valve with adjustable fittings, chrome finish.
1.1595.002
£417.60



Mira Discovery & Diverter

A neat, sleek design with the addition of a Diverter valve provides the flexibility to combine it with any two water outlets.

Product features

- Maximum temperature stop for increased safety
- Two way diverter valve for ultimate versatility
- Mira Magni-flo™ gives up to 3 times more flow than similar mixer showers even at low pressure
- Choose a combination of any two water outlets from our selection of overhead showers, hand showers and bath fillers



SPRAY TYPES



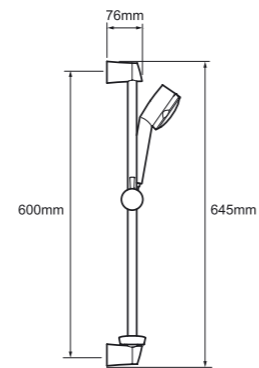
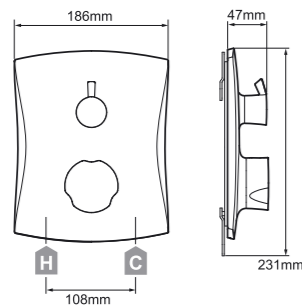
Mira Discovery & Diverter
Built-in valve with Diverter, chrome finish.
1.1691.001
£422.40



Mira Discovery fittings kit
Chrome finish.
2.1605.151
£85.20



Mira Discovery fixed spray showerhead
Chrome finish.
1.1595.244
£85.20



Wall mounted bath filler
1.1605.147
£105.60



Overflow bath filler
1.1605.140
£132.00

Mira Minibelle

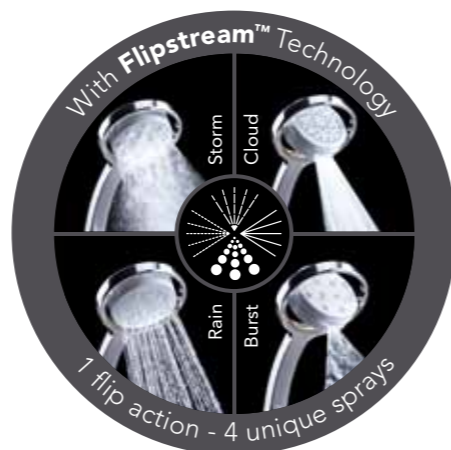
The best performing vertical valve technology on the market combined with the unique Mira 360 showerhead.

Product features

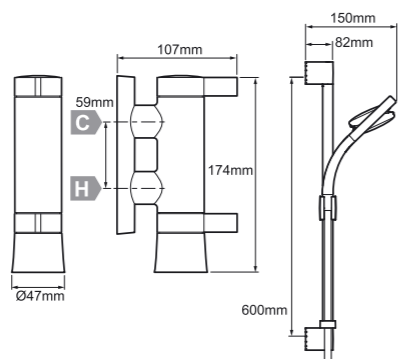
- Separate temperature and flow controls
- Mira Magni-flo™ gives up to 3 times more flow than similar mixer showers even at low pressure
- Cool Shield™ technology means the valve doesn't get hot during a shower
- Includes the Mira 360 showerhead featuring Flipstream™ technology - 1 flip action, 4 unique sprays



SPRAY TYPES



Mira Minibelle
Exposed valve with adjustable fittings, chrome finish.
1.1660.016
£411.60



Mira Myline

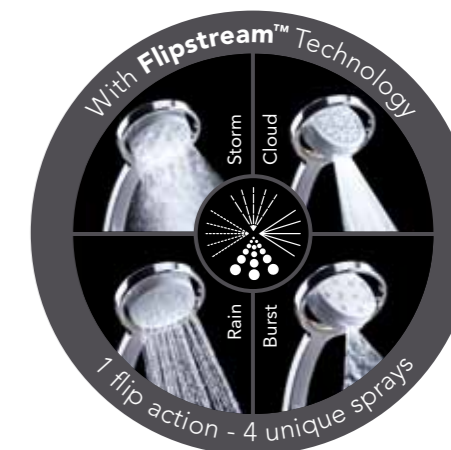
The best performing vertical valve technology on the market with a fully integrated shower pole for a streamlined look.

Product features

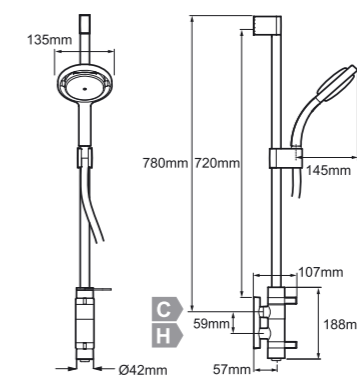
- Separate temperature and flow controls
- Mira Magni-flo™ gives up to 3 times more flow than similar mixer showers even at low pressure
- Fully integrated shower pole for a streamlined look
- Cool Shield™ technology means the valve doesn't get hot during a shower
- Includes the Mira 360 showerhead featuring Flipstream™ technology - 1 flip action, 4 unique sprays



SPRAY TYPES



Mira Myline
Exposed valve with adjustable fittings, chrome finish.
1.1660.017
£418.80



Mira Bijou

A neat design with an integrated shelf to keep your bathroom clutter free.

Product features

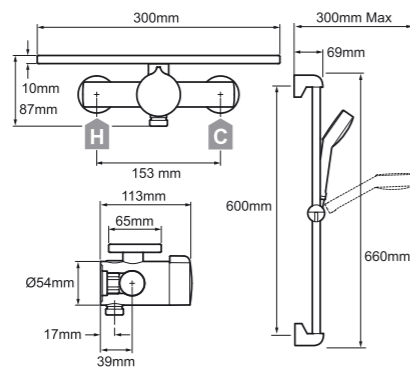
- One easy to use control for on/off and temperature
- Mira Magni-flo™ gives up to 3 times more flow than similar mixer showers even at low pressure
- 300mm shelf made of 10mm thick toughened glass
- Single spray showerhead with rub-clean nozzles



SPRAY TYPES



Mira Bijou
Exposed valve with adjustable fittings, chrome finish.
1.1672.001
£322.80



Mira Miniluxe

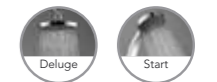
The best performing vertical valve technology on the market combined with a rigid riser bar, deluge head and hand held showerhead option.

Product features

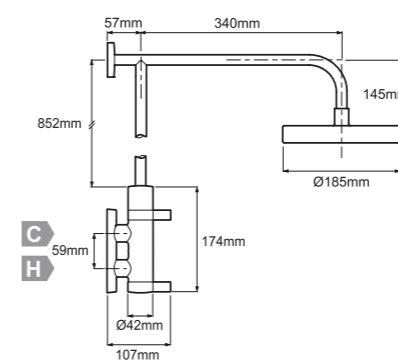
- Separate temperature and flow controls
- Mira Magni-flo™ gives up to 3 times more flow than similar mixer showers even at low pressure
- Cool Shield™ technology means the valve doesn't get hot during a shower
- Single spray 18.5cm deluge showerhead with rub-clean nozzles plus single spray handset
- Divert between the overhead and hand held shower or have both heads on at once, even at low pressure (excludes Mira Miniluxe ER)



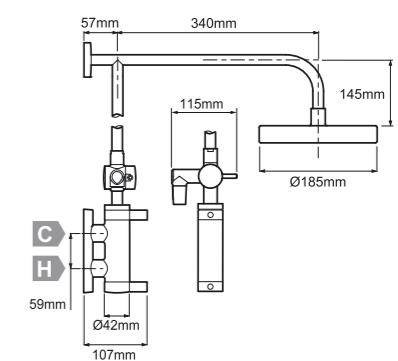
SPRAY TYPES



Mira Miniluxe ER
Exposed valve with fixed showerhead, chrome finish.
1.1660.007
£428.40



Mira Miniluxe with diverter ERD
Exposed valve with rigid riser and diverter, chrome finish.
1.1660.015
£488.40



Mira Calibre ER

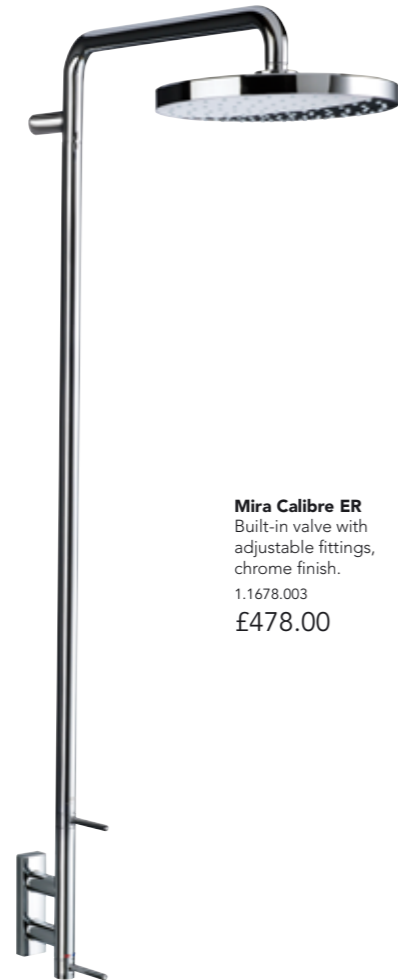
The thinnest vertical valve on the market with innovative 25mm Mira valve technology and luxurious chrome deluge head.

Product features

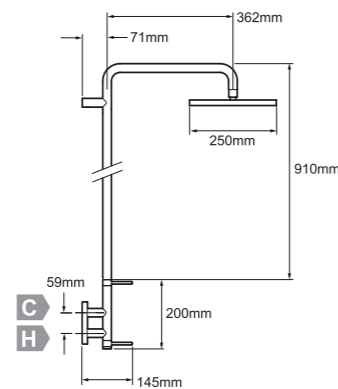
- Separate temperature and flow controls
- The highest flowing minature vertical valve on the market
- Luxurious 250mm chrome deluge head
- Innovative slide rail fixing system for increased durability and safety
- Minimum pressure recommended 0.5 bar



SPRAY TYPES



Mira Calibre ER
Built-in valve with adjustable fittings, chrome finish.
1.1678.003
£478.00



Mira Calibre EV

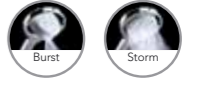
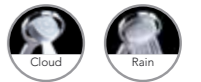
The thinnest vertical valve on the market with innovative 25mm Mira valve technology and chrome Mira 360 showerhead.

Product features

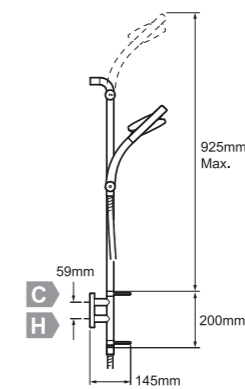
- Separate temperature and flow controls
- The highest flowing minature vertical valve on the market
- Chrome Mira 360 showerhead featuring Flipstream™ technology - 1 flip action, 4 unique sprays
- 1.5m easy clean smooth hose
- Innovative, lever operated clamp bracket for easy height adjustment and slide rail fixing system for increased durability and safety
- Minimum pressure recommended 0.5 bar



SPRAY TYPES



Mira Calibre EV
Built-in valve with adjustable fittings, chrome finish.
1.1678.001
£420.00



Mira Select

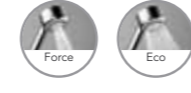
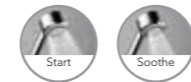
A great choice for families, combining thermostatic control and great performance even at low pressure.

Product features

- Maximum temperature stop for increased safety
- Separate temperature and flow controls
- Mira Magni-flo™ gives up to 3 times more flow than similar mixer showers even at low pressure
- 4 spray showerhead with rub-clean nozzles, or a fixed single spray showerhead depending on the model you choose



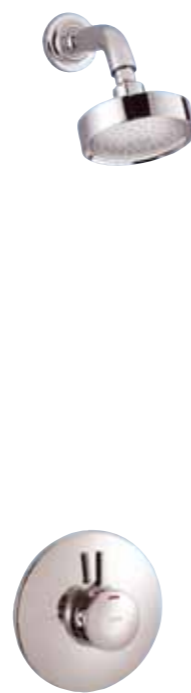
SPRAY TYPES



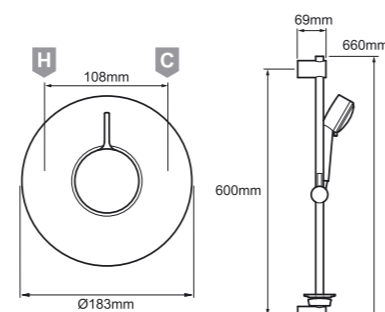
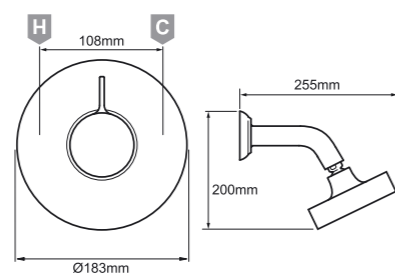
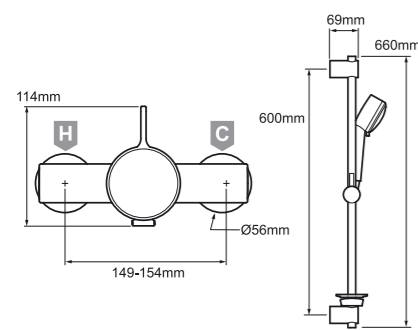
Mira Select EV
Exposed valve with adjustable fittings, chrome finish.
1.1592.005
£471.60



Mira Select BIV
Built-in valve with adjustable fittings, chrome finish.
1.1592.006
£487.70



Mira Select BIR
Built-in valve with fixed showerhead, chrome finish.
1.1592.007
£459.60



Mira Select Flex

Designed to provide the ultimate flexibility with large easy to use levers and highly visible graphics for extra safety.

Product features

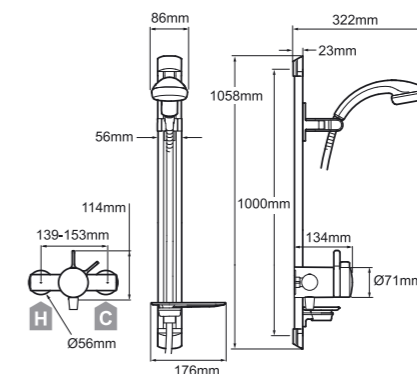
- Maximum temperature stop for increased safety
- Separate temperature and flow controls
- Developed in conjunction with the RNIB
- Mira Magni-flo™ gives up to 3 times more flow than similar mixer showers even at low pressure
- Cool Shield™ technology means the valve doesn't get hot during a shower
- Fittings kit with Mira Everclear showerhead and a slide bar that can be corner mounted



SPRAY TYPES



Mira Select Flex
Exposed valve with adjustable fittings, chrome finish.
1.1679.001
£578.40



Mira Excel

The UK's best selling mixer shower and the No.1 choice of the professional installer.

Product features

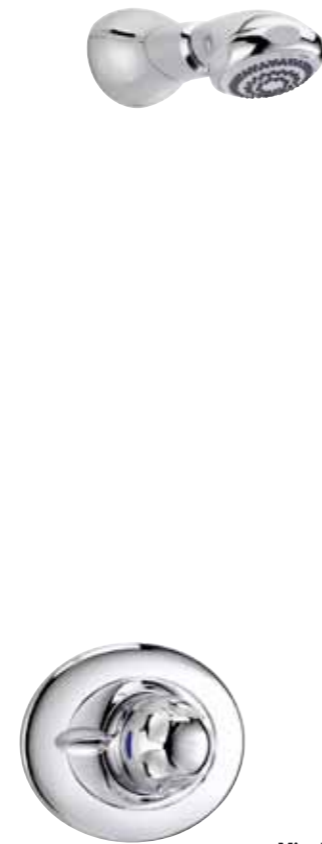
- Maximum temperature stop for increased safety – with override for a hotter shower
- Separate temperature and flow controls
- Numbered temperature dial for set and forget control
- Mira Magni-flo™ gives up to 3 times more flow than similar mixer showers even at low pressure
- 4 spray showerhead



SPRAY TYPES



Mira Excel EV
Exposed valve with adjustable fittings, chrome finish.
1.1518.300
£613.20



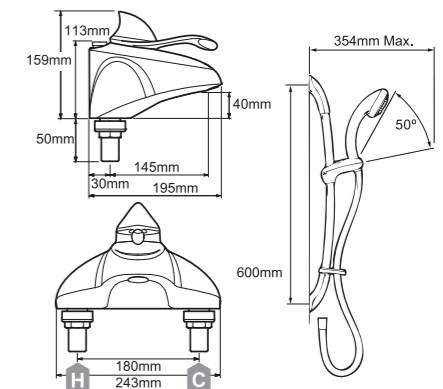
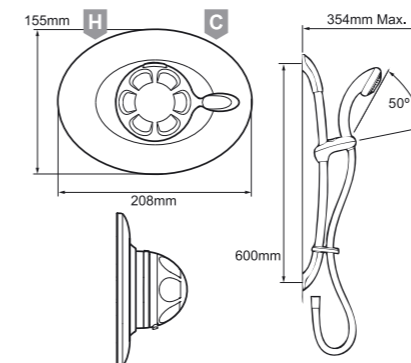
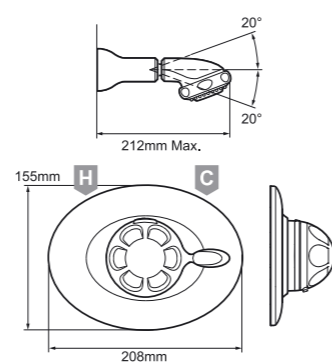
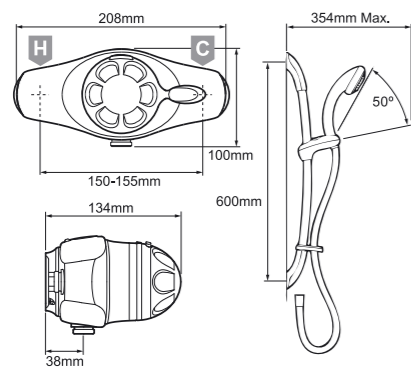
Mira Excel BIR
Built-in valve with fixed showerhead, chrome finish.
1.1518.307
£628.80



Mira Excel BIV
Built-in valve with adjustable fittings, chrome finish.
1.1518.303
£636.00



Mira Excel bath shower mixer with adjustable showerhead
White/chrome finish.
1.1598.001
£696.00



Mira Realm

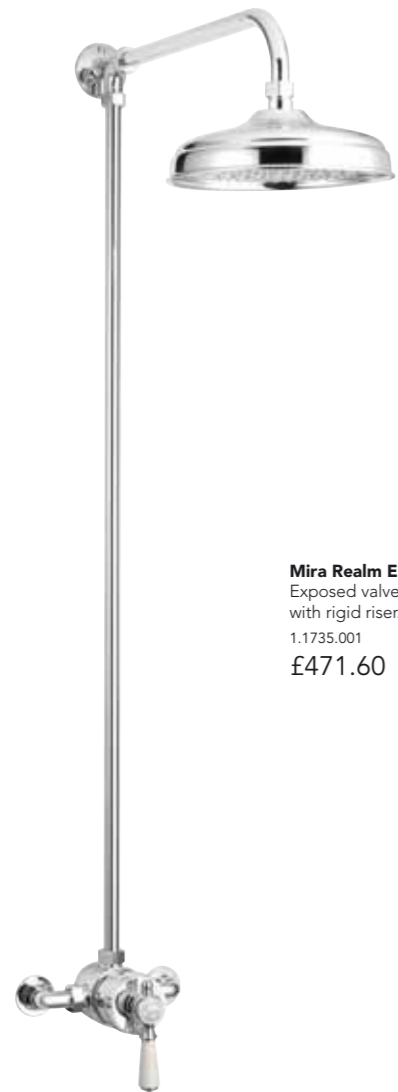
A classic design incorporating a rigid riser bar, large deluge showerhead and hand held shower option.

Product features

- Maximum temperature stop for increased safety
- One easy to use control for on/off and temperature
- Mira Magni-flo™ gives up to 3 times more flow than similar mixer showers even at low pressure
- Large 21cm deluge head with rub-clean nozzles for easy limescale removal
- Divert between the overhead and hand held shower or have both heads on at once, even at low pressure (excludes Mira Realm ER)



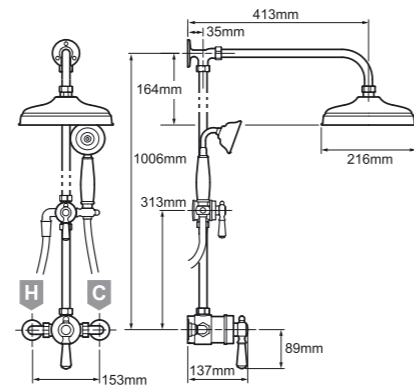
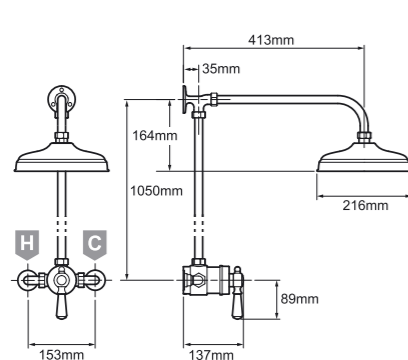
SPRAY TYPES



Mira Realm ER
Exposed valve with rigid riser.
1.1735.001
£471.60



Mira Realm with diverter ERD
Exposed valve with rigid riser and diverter, chrome finish.
1.1735.002
£576.00



Mira Twin Pumps

Domestic twin impeller inlet shower pump simultaneously boosts hot and cold supplies.

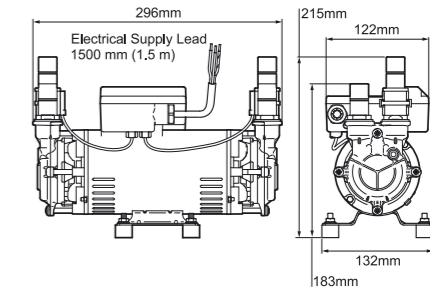
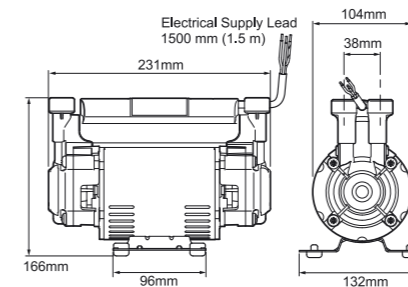


Mira 1.5 bar Twin Ended Pump
Domestic twin impeller inlet shower pump used to simultaneously boost hot and cold supplies to a single shower, white/black.
2.1745.001
£183.60



Mira 3.0 bar Twin Ended Pump
Domestic twin impeller inlet shower pump used to simultaneously boost hot and cold supplies to the whole bathroom, black/gold.
2.1745.003
£579.60

Mira 2.0 bar Twin Ended Pump
Domestic twin impeller inlet shower pump used to simultaneously boost hot and cold supplies to a single shower, white/black.
2.1745.002
£244.80



Digital showers

Digital showers, like mixers, take water from hot and cold water supplies and then mix them, creating your ideal temperature.

Our digital showers use separate mixer unit and shower controls. This means you can mount the slim mixer unit away from the shower, in a loft or under a bath for instance, offering easier access for servicing. It also reduces the amount of pipework and the shower controls take up less space too.

Plus, when it comes to shower control it doesn't get more flexible than our wireless controllers featured on pages 46 and 47. You can mount them up to 10 metres away from the digital mixer unit, making Mira digital showers a flexible option.

Multi-function

Whether you're showering, filling a bath or a combination of both... the choice is yours.

Eco Mode

Conserve water and make a saving with the Eco setting.

Warm-up Feature

No need to step in until the temperature is just right thanks to the warm-up feature.

Pre-programmable

Set your maximum temperature limit and duration of your shower or bath fill at the touch of a button.

Digital Display

The digital clock display and shower timer ensure that you'll never be late again.

Main benefits

- Maintains a stable temperature to the degree.
- Separate controls to start and stop, or for flow and temperature.
- Features a warm-up mode which can be programmed to reach your chosen temperature before you step in.
- Water saving 'Eco' setting, warm up mode, clock display and maximum temperature setting to prevent scalding.
- Designed to work with our wireless controllers from up to 10m away from the digital mixer unit.

Overview - digital showers

We've got a stylish range of single or dual outlet digital showers to choose from, with options to cater for all water systems and pressures. If you would like more information on our digital range please call us on **0844 571 5000** or visit www.mirashowers.co.uk

Mira Wireless Shower Controls

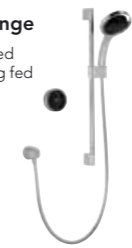
- Mira Platinum Dual
- Mira Vision Dual



46-47

Mira Platinum range

- Mira Platinum rear fed
- Mira Platinum ceiling fed



48

Mira Platinum Dual range

- Mira Platinum Dual rear fed
- Mira Platinum Dual ceiling fed



50

Mira Vision range

- Mira Vision rear fed
- Mira Vision ceiling fed



52

Mira Vision Dual range

- Mira Vision Dual rear fed
- Mira Vision Dual ceiling fed



53

Mira Vision Flex range

- Mira Vision Flex



54

A valve and wireless controller only option is also available, please refer to our website for more details.

The 3 parts that make up a digital shower with wireless control.

1. DIGITAL MIXER UNIT



2. WIRELESS SHOWER CONTROL



3. REAR OR CEILING FED SHOWER FITTINGS



One day all showers will be like this.

With their many pre-programmable features, our stylish wireless controllers give you ultimate control of your shower.



Mira Platinum Dual Wireless Shower Control
(Rotate to adjust flow rate)



Mira Vision Dual Wireless Shower Control
(Full push button control)

Mira Platinum

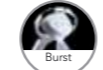
Beautifully designed and easy to use, this wireless digital shower has got it all – innovation and great looks.

Product features

- Separate temperature and flow controls
- Maximum temperature setting for increased safety
- Programmable functions: warm-up mode, clock display and Eco setting
- Additional wireless controller available, enables control from a second location
- Includes Mira 360 showerhead - 1 flip action, 4 unique sprays



SPRAY TYPES



Mira Platinum
Surface mounted
model, rear fed digital
shower, chrome finish.

High pressure
1.1666.200
£642.00

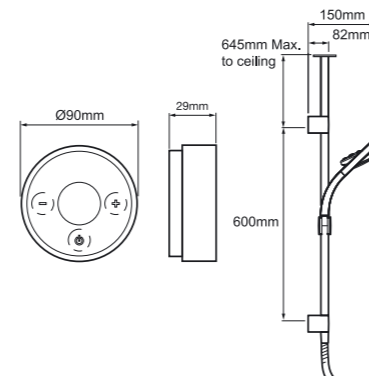
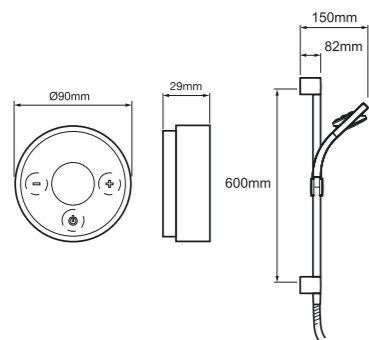
Pumped
1.1666.201
£702.00



Mira Platinum
Surface mounted
model, ceiling fed
digital shower,
chrome finish.

High pressure
1.1666.001
£672.00

Pumped
1.1666.002
£732.00



Digital showers

Digital showers



Mira Platinum Dual

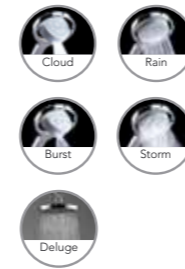
The ultimate in luxury showering technology with the added benefit of being able to divert between the overhead and separate hand shower or have both on at once.

Product features

- Separate temperature and flow controls
- Maximum temperature setting for increased safety
- Programmable functions: warm-up mode, clock display, Eco setting and bath fill mode
- Additional wireless controller available, enables control from a second location
- Includes luxurious 250mm chrome deluge head and Mira 360 showerhead - 1 flip action, 4 unique sprays
- Also available without fittings so you can use your existing fittings or add a bath filler



SPRAY TYPES



Mira Platinum Dual
Surface mounted model, rear fed digital shower, chrome finish.

High pressure
1.1796.003
£822.00

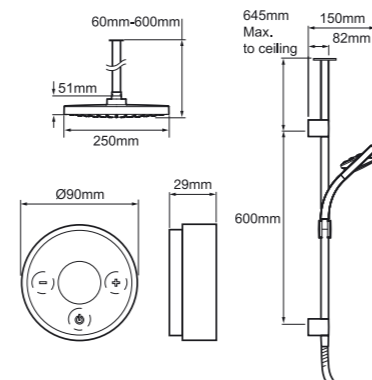
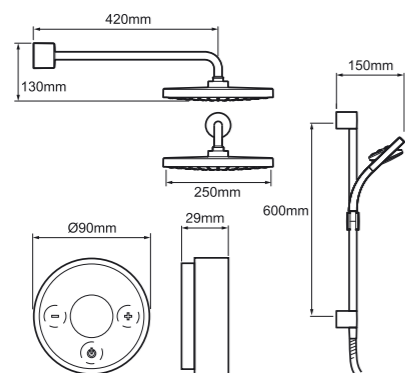
Pumped
1.1796.004
£882.00



Mira Platinum Dual
Surface mounted model, ceiling fed digital shower, chrome finish.

High pressure
1.1796.001
£852.00

Pumped
1.1796.002
£912.00



Mira Vision

Beautifully designed and easy to use, this wireless digital shower has got it all – innovation and great looks.

Product features

- Separate temperature and flow controls
- Maximum temperature setting for increased safety
- Programmable functions: warm-up mode, clock display and Eco setting
- Additional wireless controller available, enables control from a second location
- Includes Mira 360 showerhead - 1 flip action, 4 unique sprays



SPRAY TYPES



Mira Vision Dual

The ultimate in luxury showering technology with the added benefit of being able to divert between the overhead and separate hand shower or have both on at once.

Product features

- Separate temperature and flow controls
- Maximum temperature setting for increased safety
- Programmable functions: warm-up mode, clock display, Eco setting and bath fill mode
- Additional wireless controller available, enables control from a second location
- Includes luxurious 250mm chrome deluge head and Mira 360 showerhead - 1 flip action, 4 unique sprays
- Also available without fittings so you can use your existing fittings or add a bath filler



SPRAY TYPES



Mira Vision
Surface mounted model, rear fed digital shower, chrome finish

High pressure
1.1797.003
£642.00
Pumped
1.1797.004
£702.00



Mira Vision
Surface mounted model, ceiling fed digital shower, chrome finish.

High pressure
1.1797.001
£672.00
Pumped
1.1797.002
£732.00



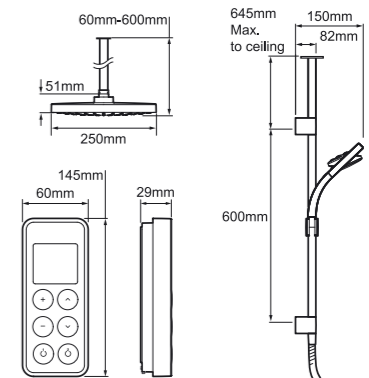
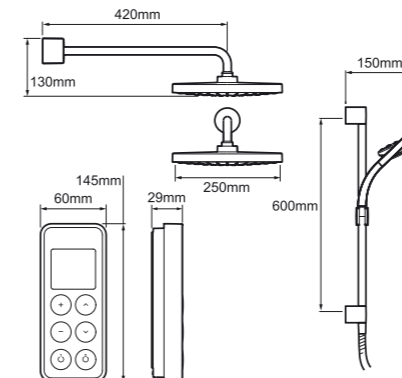
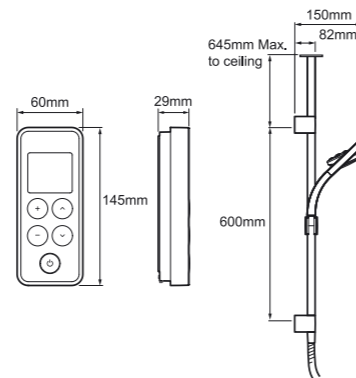
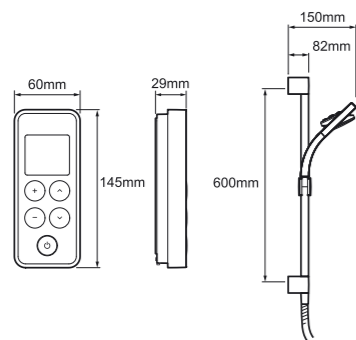
Mira Vision Dual
Surface mounted model, rear fed digital shower, chrome finish.

High pressure
1.1797.103
£822.00
Pumped
1.1797.104
£882.00



Mira Vision Dual
Surface mounted model, ceiling fed digital shower, chrome finish.

High pressure
1.1797.101
£852.00
Pumped
1.1797.102
£912.00



Mira Vision Flex

Easy to operate, Mira Vision Flex offers precise temperature control with an extra long, easy glide slide bar and a two metre hose for greater flexibility.

Product features

- Separate temperature and flow controls
- Maximum temperature setting for increased safety
- Programmable functions: warm-up mode, clock display and Eco setting
- Additional wireless controller available, enables control from a second location
- Easy glide, extra long slide bar with friction clamp bracket for easy height adjustment, also includes an extra showerhead holder for additional height positioning



SPRAY TYPES



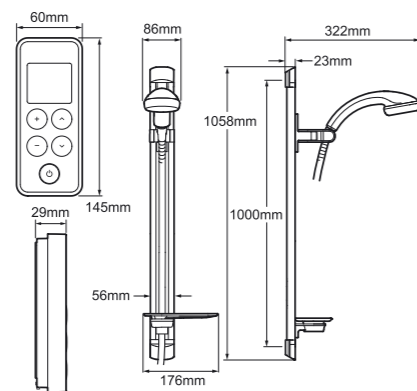
Mira Vision Flex
Surface mounted rear fed, digital shower, chrome finish.

High pressure
3.1797.111

£712.08

Pumped
3.1797.112

£772.08



Electric showers

Our electric showers are packed with exclusive innovations, advanced technology and clever safety features.

Electric showers only use water from your mains cold water supply, making them a great choice for most homes. The big advantage is they don't use any stored hot water at all. They heat the water when you turn the shower on, passing it over a built-in heating element, similar to how a kettle works. Ideal if you have a limited supply of hot water. It's also ready to use whenever you need it, whether your water tank's full or not.

And because they are so economical with water, all Mira electric showers meet the stringent standards of the Bathroom Manufacturers' Association (BMA) for using water efficiently.

Choosing your temperature control

Electric showers have 4 different types of temperature control:

Pressure stabilised controls minimise temperature changes and ensure a consistent showering temperature, even if someone runs a tap.

Advanced pressure stabilised is our pressure stabilised control with the benefit of Mira Opti-flo™ technology. It gives you a wider range of flow rate so you can enjoy the full power of the shower even in the summer when the incoming water temperature is higher.

Thermostatic technology ensures that the temperature won't fluctuate beyond 2 degrees of your chosen temperature. A brilliant safety feature, ideal for families with young children or the elderly.

Advanced thermostatic is the ultimate in safe showering. Electronic technology makes sure that the water temperature is always consistent, usually within 1 degree. Plus every shower in the Mira Advance ATL range has been awarded the BEAB Care marque accreditation, making them ideal for the healthcare sector.

Key technologies

Mira Sensi-flo™ prevents scalding if there's a drop in water pressure or if the showerhead or hose become blocked.

Mira Clearscale™ incorporates DualElement™, phased shutdown and rub-clean nozzles. This reduces limescale by 50% so your shower performs better and lasts longer.

Mira Opti-flo™ gives you a wider range of flow rate so you can enjoy the full power of the shower. Ideal in the summer months when incoming water temperature is higher.

Mira DualElement™ the heater tank runs at cooler temperatures ensuring constant power throughout the element. This reduces 'hot spots' where limescale tends to accumulate.

Overview - electric showers

We've got a wide range of electric showers to choose from, which are available in different kilowatt power ratings. Look for a higher kilowatt rating if you want a more powerful flow. All of our electric showers are approved by the BMA as being Water Efficient. If you would like more information on any of our electric showers, please call us on **0844 571 5000** or visit **www.mirashowers.co.uk**

When buying an Electric shower you will notice that the kilowatt ratings are given are based on 240 volts. As Ireland operates at 230 volts we have included a table that converts the power rating. If you have any queries please discuss with your installer.

UK and Ireland kW conversions

240v (UK)	230v (Ireland)
7.5kW	6.9kW
8.5kW	7.8kW
9.0kW	8.2kW
9.5kW	8.7kW
9.8kW	9.0kW
10.8kW	9.9kW

Mira Vie range

- Mira Vie



58

Mira Jump range

- Mira Jump



59

Mira Zest range

- Mira Zest



60

Mira Sport range

- Mira Sport
- Mira Sport Multi-fit™
- Mira Sport Thermostatic
- Mira Sport Max with Airboost™



61-64

Mira Elite range

- Mira Elite ST



66

Mira Orbis range

- Mira Orbis



67

Mira Escape range

- Mira Escape



68

Mira Azora range

- Mira Azora



69

Mira Galena range

- Mira Galena



70-71

Mira Advance range

- Mira Advance ATL
- Mira Advance Low Pressure
- Mira Advance Flex Extra Wireless
- Mira Advance ATL Flex



72-75

Mira Vie

An invigorating shower with multiple features.

Product features

- Pressure stabilised temperature control maintains selected showering temperature
- Separate power and temperature controls with a push button on/off
- Eco setting designed to save water and energy
- 4 spray showerhead with rub-clean nozzles for easy limescale removal



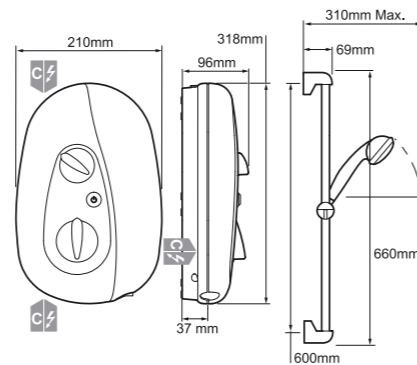
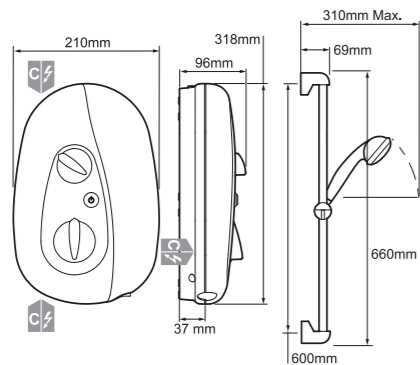
SPRAY TYPES



Mira Vie
Electric shower,
white/chrome finish.
8.5kW 2.1539.390
£190.80
9.5kW 2.1539.391
£194.40
10.8kW 2.1539.392
£207.60



Mira Vie
Electric shower,
chrome finish.
8.5kW 2.1539.425
£252.00
9.5kW 2.1539.426
£254.40
10.8kW 2.1539.427
£270.00



Mira Jump

Designed for easy replacement of right inlet electric showers.
Retrofits Triton, Aqualisa and many other electric showers.

Product features

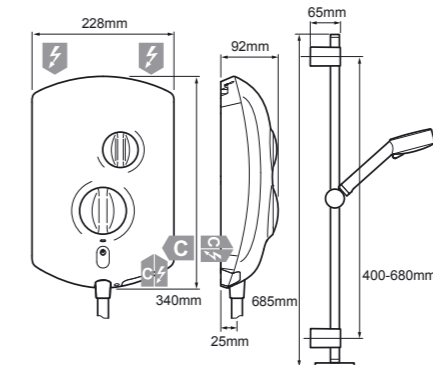
- Pressure stabilised temperature control maintains selected showering temperature
- Separate power and temperature controls with a push button on/off
- Eco setting designed to save water and energy
- Adjustable slide bar fits over holes left by a previous shower kit
- Clearscale™ technology cuts limescale by 50% for a better performing, longer lasting shower
- 4 spray showerhead with rub-clean nozzles for easy limescale removal
- Caters for plumbing and cabling connections from the right



SPRAY TYPES



Mira Jump
Electric shower,
white/chrome finish.
8.5kW 1.1693.001
£212.40
9.5kW 1.1693.002
£214.80
10.8kW 1.1693.003
£230.40



Mira Zest

Save energy and water with a sleek stylish design complimented by eco friendly features.

Product features

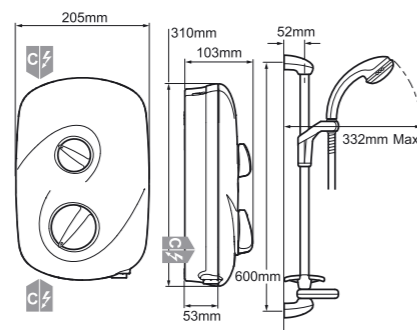
- Pressure stabilised temperature control maintains selected showering temperature
- Separate power and temperature controls
- Easy one hand adjustment of showerhead height
- 4 spray showerhead with eco setting with rub-clean nozzles for easy limescale removal



SPRAY TYPES



Mira Zest
Electric shower,
white/chrome finish.
7.5kW 2.1539.200
£222.00
8.5kW 2.1539.201
£228.00



Mira Sport

The UK's best selling electric shower. Reliable, easy to fit and easy to use.

Product features

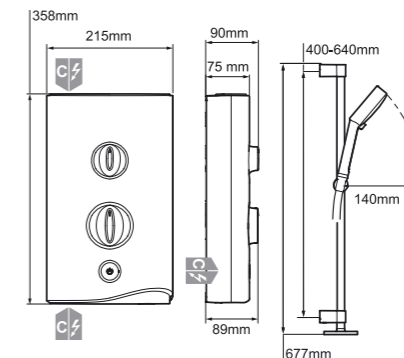
- Advanced pressure stabilised temperature control keeps selected showering temperature consistent
- Separate power and temperature controls with a push button on/off
- Sensi-flo™ prevents scalding in the event of a loss of water pressure or if the showerhead or hose become blocked
- Clearscale™ technology cuts limescale by 50% for a better performing, longer lasting shower
- Opti-flo™ optimises flow throughout the year
- Phased shutdown flushes hot water from the tank to make it safe for the next user
- Large 110mm 4 spray showerhead with rub-clean nozzles for easy limescale removal



SPRAY TYPES



Mira Sport
Electric shower,
white/chrome finish.
7.5kW 1.1746.001
£306.00
9.0kW 1.1746.002
£337.20
9.8kW 1.1746.003
£361.20
10.8kW 1.1746.004
£373.20



Adjustable slide bar fits over holes left by a previous shower kit

Mira Sport Multi-fit™

The ultimate retrofit. Sport Multi-fit™ will retrofit over more products than any other electric shower on the market.

Product features

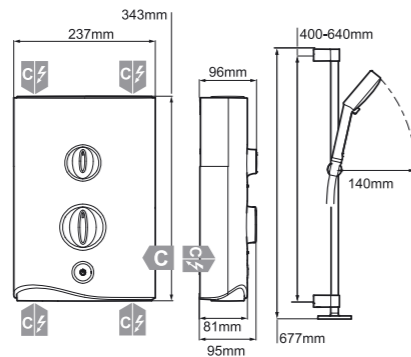
- Advanced pressure stabilised temperature control keeps selected temperature consistent
- Separate power and temperature controls with a push button on/off
- Sensi-flo™ prevents scalding in the event of a loss of water pressure or if the showerhead or hose become blocked
- Clearscale™ technology cuts limescale by 50%
- Opti-flo™ optimises flow throughout the year
- Phased shutdown flushes hot water from the tank to make it safe for the next user
- Large 110mm 4 spray showerhead with rub-clean nozzles for easy limescale removal
- Accepts pipework and cables from the left or right



SPRAY TYPES



Mira Sport Multi-fit™
Electric shower, white/chrome finish.
9.0kW 1.1746.009 £361.20
9.8kW 1.1746.010 £385.20



Adjustable slide bar fits over holes left by a previous shower kit

Mira Sport Thermostatic

Ultimate temperature control with the reassurance of thermostatic technology.

Product features

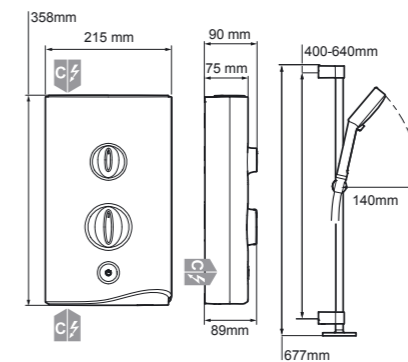
- Separate power and temperature controls with a push button on/off
- Sensi-flo™ prevents scalding in the event of a loss of water pressure or if the showerhead or hose become blocked
- Clearscale™ technology cuts limescale by 50% for a better performing, longer lasting shower
- Opti-flo™ optimises flow throughout the year
- Phased shutdown flushes hot water from the tank to make it safe for the next user
- Large 110mm 4 spray showerhead with rub-clean nozzles for easy limescale removal



SPRAY TYPES



Mira Sport Thermostatic
Electric shower, white/chrome finish.
9.0kW 1.1746.005 £385.20
9.8kW 1.1746.006 £410.40



Adjustable slide bar fits over holes left by a previous shower kit

Mira Sport Max with Airboost™

Mira Sport Max with Airboost™ is a world first for electric showers. The patented Airboost™ technology adds air induction to boost showering experience without adding more water.

Product features

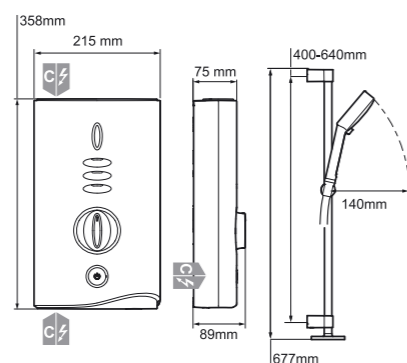
- Airboost™ boosts water flow by up to 30%
- Advanced pressure stabilised temperature control keeps your selected showering temperature consistent
- Separate power and temperature controls with a push button on/off
- Clearscale™ technology cuts limescale by 50% for a better performing, longer lasting shower
- Sensi-flo™ prevents scalding in the event of a loss of water pressure or if the showerhead or hose become blocked
- Opti-flo™ optimises flow throughout the year
- Phased shutdown flushes hot water from the tank to make it safe for the next user



SPRAY TYPES



Mira Sport Max with Airboost™
Electric shower, white/chrome finish.
9.0kW 1.1746.007 £398.40
10.8kW 1.1746.008 £434.40



Adjustable slide bar fits over holes left by a previous shower kit



Mira Elite ST

The choice if your water pressure is too low or erratic for a standard electric or mixer shower.

Product features

- An integrated pump provides a strong and consistent flow, whatever the temperature
- Advanced pressure stabilised temperature control keeps your selected showering temperature consistent
- Separate power and temperature controls with a push button on/off
- Sensi-flo™ prevents scalding in the event of a loss of water pressure or if the showerhead or hose become blocked
- Clearscale™ technology cuts limescale by 50% for a better performing, longer lasting shower
- Opti-flo™ optimises flow throughout the year
- Phased shutdown flushes hot water from the tank to make it safe for the next user



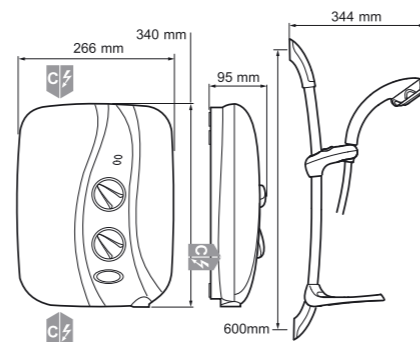
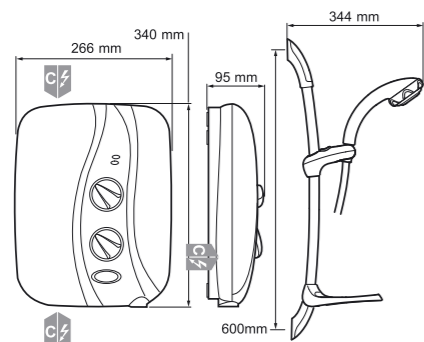
SPRAY TYPES



Mira Elite ST
Electric shower,
white/chrome finish.
9.8kW 1.1563.230
£457.20
10.8kW 1.1563.721
£486.00



Mira Elite ST
Electric shower,
satin/chrome finish.
9.8kW 1.1674.001
£500.40



Mira Orbis

A sleek design with a stylish backlit digital temperature and time display.

Product features

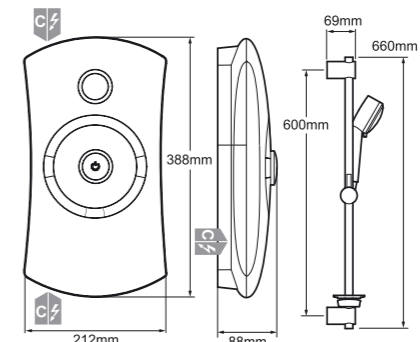
- Maximum temperature limit for increased safety
- Push button on/off
- Back-lit digital temperature and time display
- Sensi-flo™ prevents scalding in the event of a loss of water pressure or if the showerhead or hose become blocked
- Clearscale™ technology cuts limescale by 50% for a better performing, longer lasting shower
- 4 spray showerhead with rub-clean nozzles for easy limescale removal



SPRAY TYPES



Mira Orbis
Electric shower,
white/chrome finish.
9.0kW 1.1647.001
£457.20
9.8kW 1.1647.002
£472.80
10.8kW 1.1647.003
£488.40



Mira Escape

Up-to-the-minute design mixed with thermostatic technology.

Product features

- Maximum temperature limit for increased safety
- Separate power and temperature controls with a push button on/off
- Sensi-flo™ prevents scalding in the event of a loss of water pressure or if the showerhead or hose become blocked
- Clearscale™ technology cuts limescale by 50% for a better performing, longer lasting shower
- Phased shutdown flushes hot water from the tank to make it safe for the next user
- 4 spray showerhead with rub-clean nozzles for easy limescale removal

SPRAY TYPES

COLD MAINS

T
Thermostatic

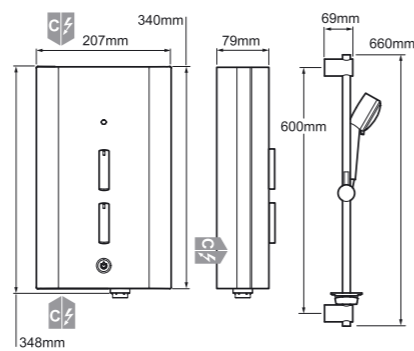
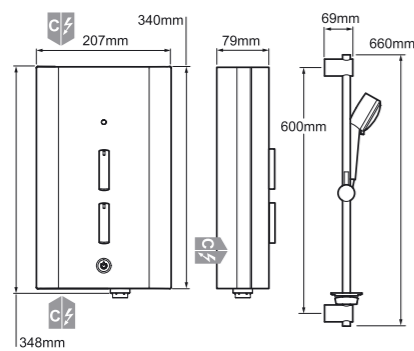
2
2 Year Guarantee



Mira Escape
Electric shower,
satin/chrome finish.
9.0kW 1.1563.729
£445.20
9.8kW 1.1563.012
£478.80



Mira Escape
Electric shower,
chrome finish.
9.0kW 1.1563.730
£476.40
9.8kW 1.1563.011
£508.80



Mira Azora

Simple frosted glass fascia complemented by smooth chrome features and combined with thermostatic technology.

Product features

- Separate power and temperature controls with a push button on/off
- Sensi-flo™ prevents scalding in the event of a loss of water pressure or if the showerhead or hose become blocked
- Clearscale™ technology cuts limescale by 50% for a better performing, longer lasting shower
- Phased shutdown flushes hot water from the tank to make it safe for the next user
- 4 spray showerhead with rub-clean nozzles for easy limescale removal

SPRAY TYPES

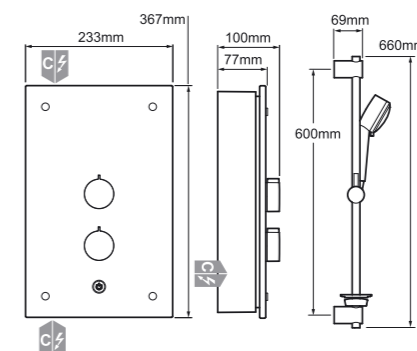
COLD MAINS

T
Thermostatic

2
2 Year Guarantee



Mira Azora
Electric shower,
glass/chrome finish.
9.8kW 1.1634.001
£510.00



Mira Galena

Minimal looks in four stylish finishes combined with thermostatic technology.

Product features

- Separate power and temperature control with a push button on/off
- Sensi-flo™ prevents scalding in the event of a loss of water pressure or if the showerhead or hose become blocked
- Clearscale™ technology cuts limescale by 50% for a better performing, longer lasting shower
- 5 spray showerhead
- With rub-clean nozzles for easy limescale removal

SPRAY TYPES

COLD MAINS

T
Thermostatic

2
2 Year Guarantee



Mira Galena
Electric shower,
silver glass finish.
9.8kW 1.1634.082
£510.00



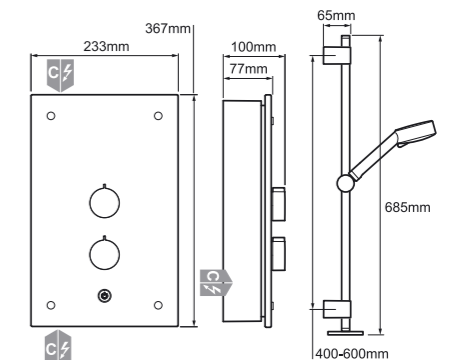
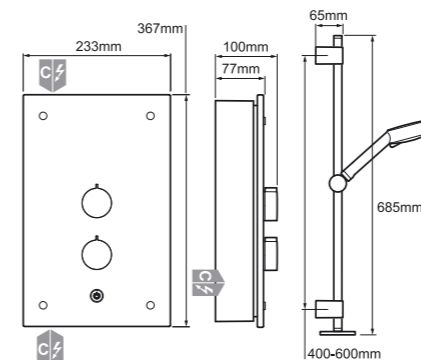
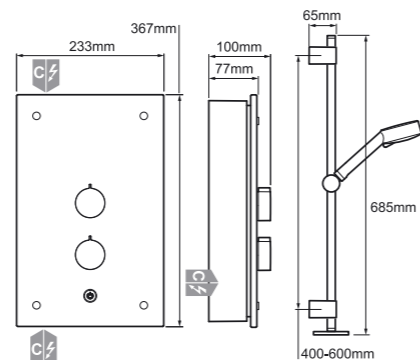
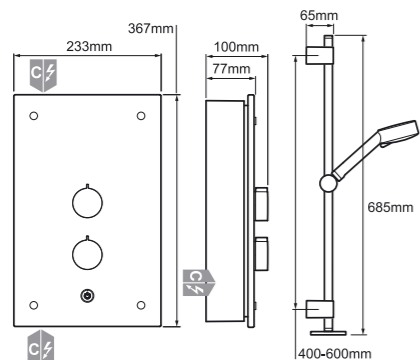
Mira Galena
Electric shower,
black flock finish.
9.8kW 1.1634.083
£536.40



Mira Galena
Electric shower,
light stone finish.
9.8kW 1.1634.084
£577.20



Mira Galena
Electric shower,
slate finish.
9.8kW 1.1634.117
£577.20



Mira Advance ATL

Safe, precise, thermostatically controlled showering for complete peace of mind.

Product features

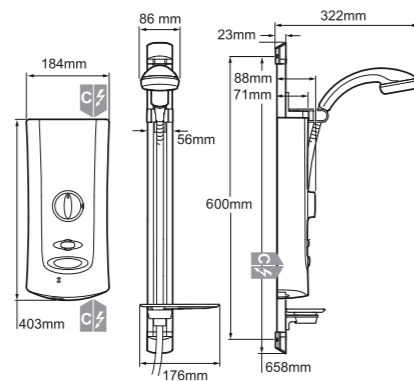
- Separate power and temperature controls with a select and forget function
- Adjustable Temperature Limit - select your maximum temperature from 8 different settings
- Phased shutdown flushes hot water from the tank to make it safe for the next user
- Tactile raised areas with a large on/off button, backlit buttons and an audible beep to aid navigation
- Easy to use slide bar and friction bracket which can be adjusted with one hand and is wall or corner mountable
- Best in its class for reducing limescale build-up
- 4 spray showerhead with rub-clean nozzles for easy limescale removal



SPRAY TYPES



Mira Advance ATL
Electric shower,
white/chrome finish.
9.0kW 1.1643.001
£440.40
9.8kW 1.1643.003
£496.80



For kW ratings in ROI see the conversion chart on page 57

Mira Advance Low Pressure

Ultimate safety and usability. Precise, thermostatically controlled showering even at low pressure.

Product features

- Separate power and temperature controls with select and forget function
- Adjustable Temperature Limit - select your maximum temperature from 8 different settings
- An integrated pump provides a strong and consistent flow at low pressure (minimum 80mm head pressure)
- Phased shutdown flushes hot water from the tank to make it safe for the next user
- Tactile raised areas with a large on/off button, backlit buttons and an audible beep to aid navigation
- Best in its class for reducing limescale build-up
- Easy to use slide bar and friction bracket which can be adjusted with one hand and is wall or corner mountable
- 4 spray showerhead with rub-clean nozzles for easy limescale removal

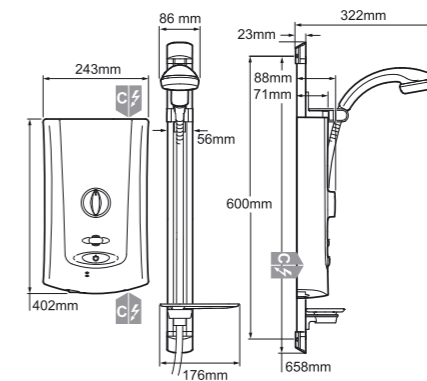


SPRAY TYPES



Mira Advance Low Pressure
Electric shower,
white/chrome finish.
9.0kW 1.1759.001
£514.80

Mira Advance Flex Low Pressure
Electric shower,
white/chrome finish.
9.0kW 1.1759.003
£558.00



For kW ratings in ROI see the conversion chart on page 57

Mira Advance Flex Extra Wireless

The perfect solution to wetroom floors the Mira Advance Flex Extra Wireless connects with the Whale Instant Match kit.

Product features

- Wireless connection between shower and pump, allowing pump suction to adjust with shower flow rate
- Integral sensors ensure the pump rate matches the shower flow rate
- Adjustable Temperature Limit gives you the option of selecting your preferred maximum temperature from 8 different settings
- With a large, colour contrasted rotary lever, tactile raised areas, a large push on/off button, back-lit buttons and an audible click on the temperature lever
- Extended 1m slide bar and 2m hose for greater flexibility
- 4 spray showerhead with rub-clean nozzles for easy limescale removal

COLD MAINS

T
Thermostatic

2
2 Year Guarantee

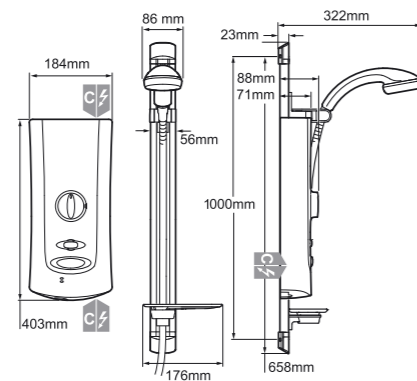
SPRAY TYPES

Start/Eco Combination

Calm Blast



Mira Advance Flex Extra Wireless
Electric shower, white/chrome finish.
9.0kW - 1.1643.311
£546.00



Mira Advance ATL Flex

Ultimate safety and usability. So safe and user friendly it's endorsed by the Royal National Institute of the Blind.

Product features

- Separate temperature and flow controls to fine tune your perfect shower
- Adjustable Temperature Limit gives you the option of selecting your preferred maximum temperature from 8 different settings
- Phased shutdown flushes hot water from the tank to make it safe for the next user
- With a large, colour contrasted rotary lever, tactile raised areas, a large on/off button, back-lit buttons and an audible click on the temperature lever
- The easy to use slide bar and friction bracket can be adjusted with one hand and is wall or corner mountable
- 4 spray showerhead with rub-clean nozzles for easy limescale removal

COLD MAINS

T
Thermostatic

2
2 Year Guarantee

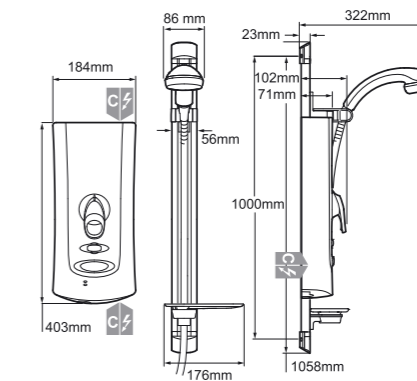
SPRAY TYPES

Start/Eco Combination

Calm Blast



Mira Advance Flex Low Pressure
Electric shower, white/chrome finish.
9.0kW - 1.1643.005
£487.20
9.8kW - 1.1643.006
£542.40



Power showers

Nothing beats the exhilaration of standing under a truly drenching flow of cleansing water with an internal pump to boost the flow and give you a shower that delivers this stunning experience every single time.

Power showers mix water from both your hot and cold supplies on low pressure systems to give you your ideal temperature. If you've got a plentiful supply of hot water in your home, a power shower could be ideal.

If you'd like a powerful flow but would prefer a mixer shower, you can install a separate shower pump - see page 43 to find out more.

Which temperature control?

There are two different types of temperature control available with power showers. Simply choose the one that you'd be happiest with – you can see which shower comes with which type of control over the following pages.

Manual your shower will not compensate for changes in the incoming supply of pressure and the shower temperature may change.

Thermostatic gives you great temperature control and are ideal for people who are at risk, such as the very young or elderly.

Overview - power showers

We've got a stylish range of all-in-one power showers to choose from. These types of showers have a built-in pump which boosts the flow rate. If you would like more information on any of our power shower range please call us on **0844 571 5000** or visit **www.mirashowers.co.uk**

Mira Vigour range

- Mira Vigour Manual
- Mira Vigour Thermostatic

 78-79



Mira Event XS range

- Mira Event XS
- Mira Event XS Thermostatic

 80-81



Mira Vigour Manual

True invigoration. The perfect blend of performance and price.

Product features

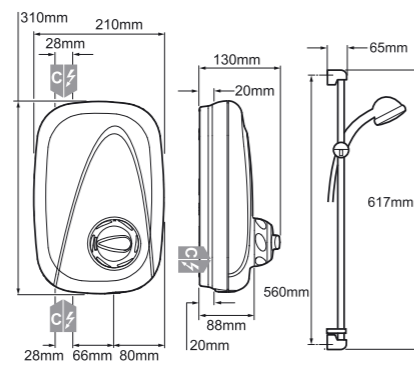
- Maximum temperature stop for increased safety
- Delivers an invigorating 12 litres of water a minute
- Separate temperature and flow controls
- 4 spray showerhead with rub-clean nozzles for easy limescale removal



SPRAY TYPES



Mira Vigour Manual
Power shower, white/
chrome finish.
1.1532.354
£249.60



Mira Vigour Thermostatic

True invigoration. The perfect blend of performance, price and safety.

Product features

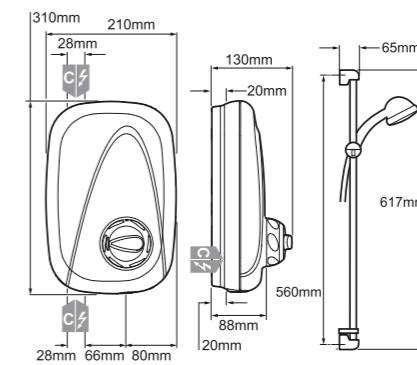
- Maximum temperature stop for increased safety
- Delivers an invigorating 14 litres of water a minute with the reassurance of thermostatic technology
- Separate temperature and flow controls
- 4 spray showerhead with rub-clean nozzles for easy limescale removal



SPRAY TYPES



Mira Vigour Thermostatic
Power shower, white/chrome finish.
1.1532.353
£278.40



Mira Event XS

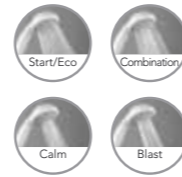
A showering sensation. Brings powerful showering and practical features to your bathroom.

Product features

- Delivers an invigorating 14 litres of water a minute
- Separate temperature and flow controls
- 4 spray showerhead with rub-clean rubber nozzles for easy limescale removal

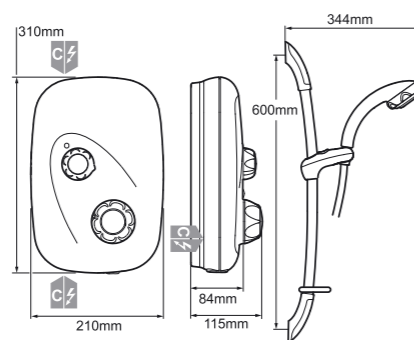


SPRAY TYPES



Mira Event XS
Power shower,
white finish.
1.1532.014
£411.60

Mira Event XS
Power shower,
white/chrome finish
(as pictured).
1.1532.003
£411.60



Mira Event XS Thermostatic

Bursting with performance. Brings safe, powerful showering and practical features to your bathroom.

Product features

- With a special 'flow boost' feature to deliver an invigorating 16 litres of water a minute
- Separate temperature and flow controls
- Select and forget control
- 4 spray showerhead with rub-clean rubber nozzles for easy limescale removal

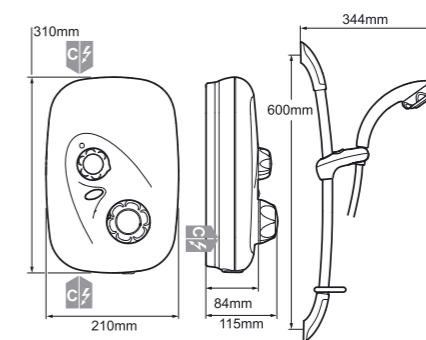


SPRAY TYPES



Mira Event XS Thermostatic
Power shower,
white finish.
1.1532.013
£579.60

Mira Event XS Thermostatic
Power shower,
white/chrome finish
(as pictured).
1.1532.002
£579.60



Shower enclosures

Extensive investment in research and development help us create striking yet practical designs that last.

Mira Beam shower enclosures are a stunning piece of engineering, designed to offer durability and longevity. Each one provides maximum flexibility for effortless installation with up to 29 mm of adjustment for uneven walls. Frameless doors create a premium feel and a range of styles, types and sizes deliver a distinctive look, perfect to enhance any bathroom.

Combining design and technology

Coated glass ensures your Beam enclosure is easy to clean and retains its outstanding look.

The planet gear mechanism found in our bi-fold model makes sure the door closes smoothly and will always be perfectly aligned. While magnetic strips along the top and bottom guarantee a strong consistent closure.

Double rollers on the sliding quadrant and corner doors create a smooth, gliding action and consistent performance.

The adjustable ball catch featured on the pivot door, provides great flexibility for installation and optimum performance, whilst being adjustable for years to come.

How to choose your Mira Beam alcove or corner shower enclosure

Whatever you're looking for in a shower enclosure, it can be found within the new Mira Beam enclosure range. But which is right for you? Just follow these 3 simple steps:

Step 1 - preparation

Measure the width of your shower door but importantly also measure the space available in the bathroom to get in and out, and for the door to open.

Step 2 - choose your location

Are you installing the door in an alcove or corner site?

Step 3 - choose your door type: alcove or corner enclosure

Alcove enclosure

N.B. Remember to check that the door opening is wide enough for your needs

Walk-in - a walk-in enclosure has no door at all so you can just walk straight in and shower. Remember that there will always be some water splashing on the floor with a walk-in.

Pivot door - offers the widest opening for a given size of enclosure – just make sure that there is space in the bathroom for the door to open. Remember the door is reversible so can open to the left or right.

Bi-fold door - ideal if there is not enough space in the bathroom for a pivot door as the door folds inwards. May not be the best solution if your mobility is limited as you will need to move out of the way of the door to open it.

Slider - another door that does not intrude into the bathroom space and provides a very easy to use solution for widths of 1000mm and over.

Corner enclosure

N.B. Don't forget to order a side panel as well as a door to complete the enclosure. Remember to check that the door opening is wide enough for your needs.

Walk-in - a walk-in enclosure has no door at all so you can just walk straight in and shower. Remember that there will always be some water splashing on the floor with a walk-in.

Pivot door - offers the widest opening for a given size of enclosure – just make sure that there is space in the bathroom for the door to open. Remember the door is reversible so can open to the left or right.

Bi-fold door - ideal if there is not enough space in the bathroom for a pivot door as the door folds inwards. May not be the best solution if your mobility is limited as you will need to move out of the way of the door to open it.

Slider - another door that doesn't intrude into the bathroom space and provides a very easy to use solution for widths of 1000mm and over.

Quadrant - a very space efficient solution with its double sliding doors and elegant curved shape.

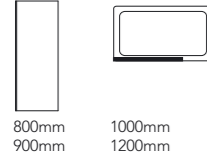
Pentagon - gives more usable space in the bathroom as the door opening is central.

Divider panel - allow an unobtrusive frameless structure with unique modern styling.

Overview - Mira Beam enclosures

Divider Panel 86

Divider Panel

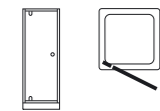


800mm
900mm

1000mm
1200mm

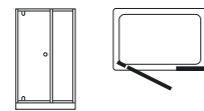
Pivot alcove 88

Pivot alcove



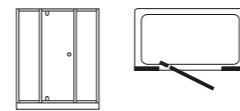
760mm
800mm
900mm
1000mm

Pivot extended alcove



1200mm
1400mm

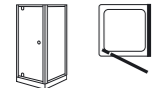
Pivot double extended alcove



1600mm
1700mm
1800mm

Pivot corner enclosure 89

Pivot corner enclosure



760 x 700mm
760 x 760mm
760 x 800mm
760 x 900mm
800 x 700mm
800 x 760mm
800 x 800mm
800 x 900mm

900 x 700mm
900 x 760mm
900 x 800mm
900 x 900mm
1000 x 700mm
1000 x 760mm
1000 x 800mm
1000 x 900mm

Pivot extended corner enclosure



1200 x 700mm
1200 x 760mm
1200 x 800mm
1200 x 900mm

1400 x 700mm
1400 x 760mm
1400 x 800mm
1400 x 900mm

Pivot double extended corner enclosure

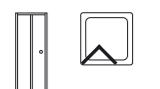


1600 x 700mm
1600 x 760mm
1600 x 800mm
1600 x 900mm
1700 x 700mm
1700 x 760mm

1700 x 800mm
1700 x 900mm
1800 x 700mm
1800 x 760mm
1800 x 800mm
1800 x 900mm

Bi-fold alcove 90

Bi-fold alcove



760mm
800mm
900mm
1000mm

Bi-fold extended alcove



1200mm
1400mm

Bi-fold double extended alcove



1600mm
1700mm
1800mm

Bi-fold corner enclosure 91

Bi-fold corner enclosure



760 x 700mm
760 x 760mm
760 x 800mm
760 x 900mm
800 x 700mm
800 x 760mm

800 x 800mm
800 x 900mm
900 x 700mm
900 x 760mm
900 x 800mm
900 x 900mm

1000 x 700mm
1000 x 760mm
1000 x 800mm
1000 x 900mm

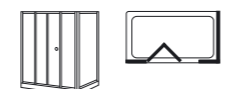
Bi-fold extended corner enclosure



1200 x 700mm
1200 x 760mm
1200 x 800mm
1200 x 900mm

1400 x 700mm
1400 x 760mm
1400 x 800mm
1400 x 900mm

Bi-fold double extended corner enclosure

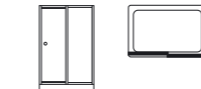


1600 x 700mm
1600 x 760mm
1600 x 800mm
1600 x 900mm
1700 x 700mm
1700 x 760mm

1700 x 800mm
1700 x 900mm
1800 x 700mm
1800 x 760mm
1800 x 800mm
1800 x 900mm

Sliding alcove 92

Sliding alcove



1000mm
1200mm

Sliding corner 93

Sliding corner enclosure



1000 x 700mm
1000 x 760mm
1000 x 800mm
1000 x 900mm

1200 x 700mm
1200 x 760mm
1200 x 800mm
1200 x 900mm

Quadrant 94-95

Quadrant



800x800mm
900x900mm

1000x800mm
1200x900mm

R550

Pivot pentagon 96

Pivot pentagon corner enclosure



900 x 900mm
1200 x 900mm

Bi-fold pentagon 97

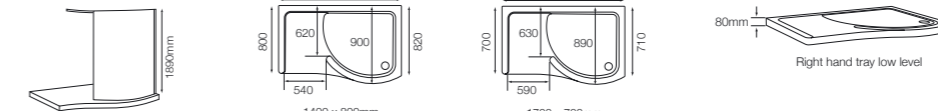
Bi-fold pentagon corner enclosure



900 x 900mm
1200 x 900mm

Walk-in alcove 98

Walk-in alcove



1400 x 800mm
1700 x 700mm

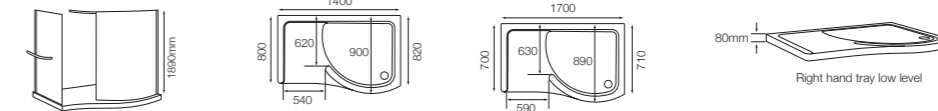
1400 x 800mm
Right hand showering area

1700 x 700mm
Right hand showering area

Right hand tray low level

Walk-in corner entry 99

Walk-in corner entry



1400 x 800mm
1700 x 700mm

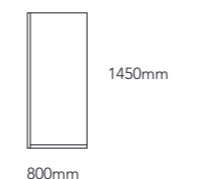
1400 x 800mm
Right hand showering area

1700 x 700mm
Right hand showering area

Right hand tray low level

Bathscreen 100-101

Square



1450mm

800mm

Radius

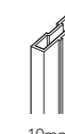


1450mm

800mm

Accessories 102-103

Filter profile



10mm

In-line panels



400mm

2x400mm

Side panels



760mm
800mm
900mm

Mira Beam divider panels

The Mira beam divider panels enable you to create the ultimate wet room look.

Product features

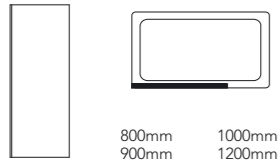
- 8mm frameless safety glass panels
- Water-tight wall profile
- Height: 1950mm
- Unique 29mm adjustment system on wall profile
- Square-section bracing bar adjustable at point of installation
- Coated glass for ease of cleaning
- Available with wet-room floor anchor kit
- Recommended for use with Flight trays & Flight Low trays
- Recommended minimum tray rim width is 30mm
- 10 year guarantee

DETAILS



Configuration options

Divider Panel



45° bracing bar



900x900 with 45° bracing bar



Dimensions & tray compatibility

All sizes are in mm

Mira Beam divider panels	size	frame finish option	glass	frame adjustment alcove door	frame adjustment corner enclosure	door opening	10mm filler kit (if required)	Flight tray compatibility	Flight Low tray compatibility	Price
1.1721.423	800	Silver	Clear	n/a	755-784	n/a	n/a	1200x760	1200x760	£444.00
								1200x800	1200x800	
								1200x900	1200x900	
								1200x900	1200x900	
1.1721.424	900	Silver	Clear	n/a	855-884	n/a	n/a	1400x700	1400x700	£468.00
								1400x760	1400x760	
								1400x800	1400x800	
								1400x900	1400x900	
1.1721.425	1000	Silver	Clear	n/a	955-984	n/a	n/a	1400x700	1400x700	£492.00
								1400x760	1400x760	
								1400x800	1400x800	
								1400x900	1400x900	
								1500x760	1500x760	
1.1721.426	1200	Silver	Clear	n/a	1155-1184	n/a	n/a	1600x700	1600x700	£540.00
								1600x760	1600x760	
								1500x900	1500x900	
								1700x700	1700x700	
								1700x760	1700x760	
								1700x900	1700x900	



Shower enclosures

Shower enclosures

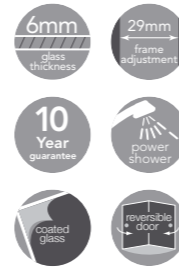
Mira Beam pivot door - alcove

The frameless pivot door is adjustable up to 29mm and has a ball catch closing mechanism that can be adjusted to deliver a firm closing action.

Product features

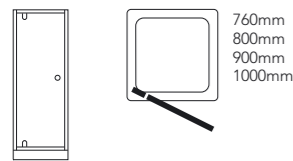
- Reversible door for left or right hand opening
- Perfect for alcove or corner installation
- 29mm of adjustment on each wall profile for out of true walls
- Adjustable ball catch closing mechanism ensures a solid closing action
- 6mm toughened safety glass - coated for easy cleaning
- Suitable for power showers
- Height from top of tray: 1900mm
- 10 year guarantee

DETAILS

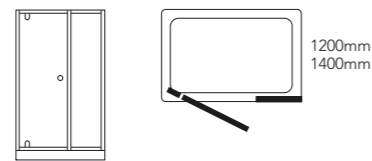


Configuration options

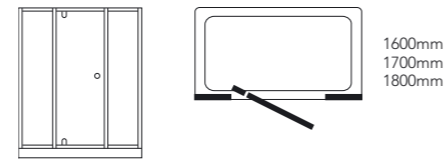
Pivot alcove



Pivot extended alcove



Pivot double extended alcove



Adjustable ball catch

The adjustable ball catch used on the pivot door, offers additional installation flexibility and performance. The catch can be adjusted to provide a high quality feel throughout the product's life.



Dimensions & tray compatibility

All sizes are in mm

Mira Beam pivot door	size	frame finish option	glass	frame adjustment alcove door	frame adjustment corner enclosure	door opening	10mm filler kit (if required)	Flight tray compatibility	Flight Low tray compatibility	Price
1.1721.403	760	Silver	Clear	698-756	720-749	542	1.1721.427	760x760	760x760	£396.00
1.1721.404	800	Silver	Clear	736-794	758-787	580	1.1721.427	800x800	800x800	£396.00
1.1721.405	900	Silver	Clear	836-894	858-887	680	1.1721.427	900x900	900x900	£450.00
1.1721.406	1000	Silver	Clear	936-994	958-987	780	1.1721.427	1000x760	1000x760	£475.20
								1000x800	1000x800	
in-line panel	Create larger enclosures using the Beam in-line panel (see accessories pg 102-103 for more information).									
1.1721.413	400	Silver	Clear		29mm		1.1721.427	1200x760	1200x760	£225.60
								1200x800	1200x800	
								1200x900	1400x760	
								1400x800	1600x760	
									1700x760	

Unique design details

Mira Beam pivot door - corner

The frameless pivot door is adjustable up to 29mm and has a ball catch closing mechanism that can be adjusted to deliver a firm closing action.

Product features

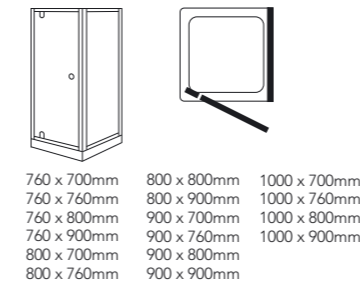
- Reversible door for left or right hand opening
- Perfect for alcove or corner installation
- 29mm of adjustment on each wall profile for out of true walls
- Adjustable ball catch closing mechanism ensures a solid closing action
- 6mm toughened safety glass - coated for easy cleaning
- Suitable for power showers
- Height from top of tray: 1900mm
- 10 year guarantee

DETAILS

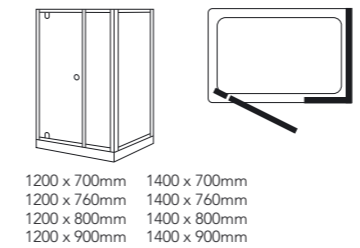


Configuration options

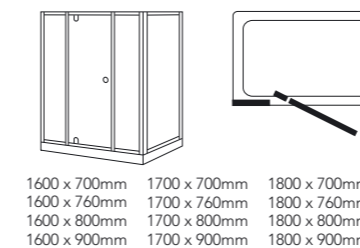
Pivot corner enclosure



Pivot extended corner enclosure



Pivot double extended corner enclosure



Adjustable ball catch

The adjustable ball catch used on the pivot door, offers additional installation flexibility and performance. The catch can be adjusted to provide a high quality feel throughout the product's life.



Dimensions & tray compatibility

All sizes are in mm

Mira Beam pivot door	size	frame finish option	glass	frame adjustment alcove door	frame adjustment corner enclosure	door opening	10mm filler kit (if required)	Flight tray compatibility	Flight Low tray compatibility	Price
1.1721.403	760	Silver	Clear	698-756	720-749	542	1.1721.427	760x760	760x760	£396.00
1.1721.404	800	Silver	Clear	736-794	758-787	580	1.1721.427	800x800	800x800	£396.00
1.1721.405	900	Silver	Clear	836-894	858-887	680	1.1721.427	900x900	900x900	£450.00
1.1721.406	1000	Silver	Clear	936-994	958-987	780	1.1721.427	1000x760	1000x760	£475.20
								1000x800	1000x800	
side panels	Create larger enclosures using the Beam in-line panel (see accessories pg 102-103 for more information).									
1.1721.414	700	Silver	Clear		658-687	n/a	n/a	n/a	n/a	£225.60
1.1721.415	760	Silver	Clear		720-749	n/a	n/a	n/a	n/a	£225.60
1.1721.416	800	Silver	Clear		758-787	n/a	n/a	n/a	n/a	£232.80
1.1721.417	900	Silver	Clear		858-887					£260.40
in-line panels	Create larger enclosures using the Beam in-line panel (see accessories pg 102-103 for more information).									
1.1721.413	400	Silver	Clear		29mm		1.1721.427	1200x760	1200x760	£225.60
								1200x800	1200x800	
								1200x900	1400x760	
								1400x800	1600x760	
									1700x760	

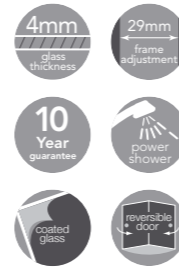
Mira Beam bi-fold door - alcove

The inward opening bi-fold door uses a planet gear mechanism and magnetic strips to ensure consistent alignment and closing performance throughout the lifetime of the product.

Product features

- Reversible door for left or right hand opening
- Perfect for alcove or corner installation
- 29mm of adjustment on each wall profile for out of true walls
- Planet gears ensure consistent alignment throughout the product's life
- 4mm toughened safety glass - coated for easy cleaning
- Power shower approved
- Height from top of tray: 1900mm
- 10 year guarantee

DETAILS



Mira Beam bi-fold door - corner

The inward opening bi-fold door uses a planet gear mechanism and magnetic strips to ensure consistent alignment and closing performance throughout the lifetime of the product.

Product features

- Reversible door for left or right hand opening
- Perfect for alcove or corner installation
- 29mm of adjustment on each wall profile for out of true walls
- Planet gears ensure consistent alignment throughout the product's life
- 4mm toughened safety glass - coated for easy cleaning
- Power shower approved
- Height from top of tray: 1900mm
- 10 year guarantee

DETAILS

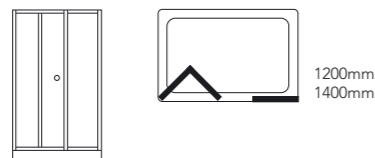


Configuration options

Bi-fold alcove



Bi-fold extended alcove



Bi-fold double extended alcove



Planet gear

The planet gear mechanism, found on the bi-fold model, ensures correct alignment leading to a consistent smooth action. Magnetic strips along the top and bottom of the door ensure a strong closure.



Unique design details

The high quality finish, achieved in-house, provides a premium feel to any bathroom.



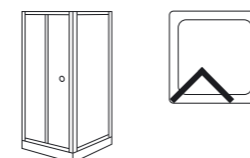
Dimensions & tray compatibility

All sizes are in mm

Mira Beam bi-fold door	size	frame finish option	glass	frame adjustment alcove door	frame adjustment corner enclosure	door opening	10mm filler kit (if required)	Flight tray compatibility	Flight Low tray compatibility	Price
1.1721.407	760	Silver	Clear	698-756	720-749	440	1.1721.427	760x760	760x760	£477.60
1.1721.408	800	Silver	Clear	736-794	758-787	478	1.1721.427	800x800	800x800	£477.60
1.1721.409	900	Silver	Clear	836-894	858-887	577	1.1721.427	900x900	900x900	£504.00
1.1721.410	1000	Silver	Clear	936-994	958-987	677	1.1721.427	1000x760	1000x760	£597.60
								1000x800	1000x800	
in-line panel	Create larger enclosures using the Beam in-line panel (see accessories pg 102-103 for more information).									
1.1721.413	400	Silver	Clear		29mm		1.1721.427	1200x760	1200x760	£225.60
								1200x800	1200x800	
								1200x900	1400x760	
								1400x800	1600x760	
									1700x760	

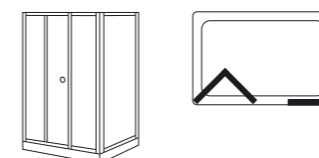
Configuration options

Bi-fold corner enclosure



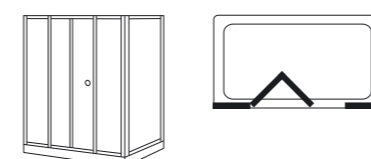
- 760 x 700mm 800 x 700mm 900 x 700mm 1000 x 700mm
- 760 x 760mm 800 x 760mm 900 x 760mm 1000 x 760mm
- 760 x 800mm 800 x 800mm 900 x 800mm 1000 x 800mm
- 760 x 900mm 800 x 900mm 900 x 900mm 1000 x 900mm

Bi-fold extended corner enclosure



- 1200 x 700mm 1400 x 700mm
- 1200 x 760mm 1400 x 760mm
- 1200 x 800mm 1400 x 800mm
- 1200 x 900mm 1400 x 900mm

Bi-fold double extended corner enclosure



- 1600 x 700mm 1700 x 700mm 1800 x 700mm
- 1600 x 760mm 1700 x 760mm 1800 x 760mm
- 1600 x 800mm 1700 x 800mm 1800 x 800mm
- 1600 x 900mm 1700 x 900mm 1800 x 900mm



Planet gear

The planet gear mechanism, found on the bi-fold model, ensures correct alignment leading to a consistent smooth action. Magnetic strips along the top and bottom of the door ensure a strong closure.



Dimensions & tray compatibility

All sizes are in mm

Mira Beam bi-fold door	size	frame finish option	glass	frame adjustment alcove door	frame adjustment corner enclosure	door opening	10mm filler kit (if required)	Flight tray compatibility	Flight Low tray compatibility	Price
1.1721.407	760	Silver	Clear	698-756	720-749	440	1.1721.427	760x760	760x760	£477.60
1.1721.408	800	Silver	Clear	736-794	758-787	478	1.1721.427	800x800	800x800	£477.60
1.1721.409	900	Silver	Clear	836-894	858-887	577	1.1721.427	900x900	900x900	£504.00
1.1721.410	1000	Silver	Clear	936-994	958-987	677	1.1721.427	1000x760	1000x760	£597.60
								1000x800	1000x800	
side panels	Combine side panels with a door to create an enclosure. (see accessories pg 102-103 for more information).									
1.1721.414	700	Silver	Clear		658-687	n/a	n/a	n/a	n/a	£225.60
1.1721.415	760	Silver	Clear		720-749	n/a	n/a	n/a	n/a	£225.60
1.1721.416	800	Silver	Clear		758-787	n/a	n/a	n/a	n/a	£232.80
1.1721.417	900	Silver	Clear		858-887	n/a	n/a	n/a	n/a	£260.40
in-line panels	Create larger enclosures using the Beam in-line panel (see accessories pg 177-178 for more information).									
1.1721.413	400	Silver	Clear		29mm		1.1721.427	1200x760	1200x760	£225.60
								1200x800	1200x800	
								1200x900	1400x760	
								1400x800	1600x760	
									1700x760	

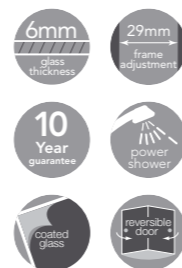
Mira Beam sliding door - alcove

The Mira Beam sliding door delivers a consistent smooth gliding action through its double roller design and is an ideal option for larger shower spaces.

Product features

- Reversible door for left or right hand opening
- Perfect for alcove or corner installation
- 29mm of adjustment on each wall profile for out of true walls
- Double rollers deliver smooth operation throughout the product's life
- 6mm toughened safety glass - coated for easy cleaning
- Power shower approved
- Height from top of tray: 1900mm
- 10 year guarantee

DETAILS



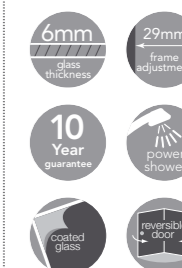
Mira Beam sliding door - corner

The Mira Beam sliding door delivers a consistent smooth gliding action through its double roller design and is an ideal option for larger shower spaces.

Product features

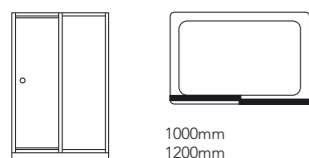
- Reversible door for left or right hand opening
- Perfect for alcove or corner installation
- 29mm of adjustment on each wall profile for out of true walls
- Double rollers deliver smooth operation throughout the product's life
- 6mm toughened safety glass - coated for easy cleaning
- Power shower approved
- Height from top of tray: 1900mm
- 10 year guarantee

DETAILS



Configuration options

Sliding alcove



Unique design details

The high quality finish, achieved in-house, provides a premium feel to any bathroom.



6mm toughened safety glass

The toughened safety glass used on the Mira Beam sliding door is 6mm thick. It provides peace of mind and a feeling of high quality.



Double rollers

The double rollers on the sliding and quadrant doors provide a smooth, consistent gliding action to give a high quality feel and performance throughout the product's life.



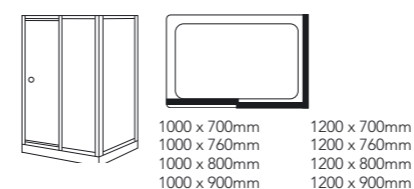
Dimensions & tray compatibility

All sizes are in mm

Mira Beam sliding door	size	frame finish option	glass	frame adjustment alcove door	frame adjustment corner enclosure	door opening	10mm filler kit (if required)	Flight tray compatibility	Flight Low tray compatibility	Price
1.1721.411	1000	Silver	Clear	936-994	958-987	359	1.1721.427	1000x760 1000x800	1000x760 1000x800	£480.00
1.1721.412	1200	Silver	Clear	1136-1194	1158-1187	445	1.1721.427	1200x760 1200x800 1200x900	1200x760 1200x800	£513.60

Configuration options

Sliding corner enclosure



Double rollers

The double rollers on the sliding and quadrant doors provide a smooth, consistent gliding action to give a high quality feel and performance throughout the product's life.



6mm toughened safety glass

The toughened safety glass used on the Mira Beam sliding door is 6mm thick. It provides peace of mind and a feeling of high quality.



Dimensions & tray compatibility

All sizes are in mm

Mira Beam sliding door	size	frame finish option	glass	frame adjustment alcove door	frame adjustment corner enclosure	door opening	10mm filler kit (if required)	Flight tray compatibility	Flight Low tray compatibility	Price
1.1721.411	1000	Silver	Clear	936-994	958-987	359	1.1721.427	1000x760 1000x800	1000x760 1000x800	£480.00
1.1721.412	1200	Silver	Clear	1136-1194	1158-1187	445	1.1721.427	1200x760 1200x800	1200x760 1200x800	£513.60
side panels Combine side panels with a door to create an enclosure. (see accessories pg 102-103 for more information).										
1.1721.414	700	Silver	Clear		658-687	n/a	n/a	1200x800	n/a	£225.60
1.1721.415	760	Silver	Clear		720-749	n/a	n/a	n/a	n/a	£225.60
1.1721.416	800	Silver	Clear		758-787	n/a	n/a	n/a	n/a	£232.80
1.1721.417	900	Silver	Clear		858-887	n/a	n/a	n/a	n/a	£260.40

Mira Beam quadrant

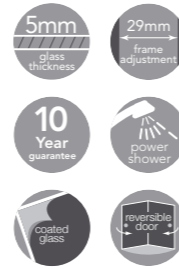
The Mira Beam double sliding door quadrant delivers a consistent smooth gliding action through its double roller design providing ease of access where space in the bathroom is limited.

Product features

- Centre opening doors
- For corner installation only
- 29mm of adjustment on each wall profile for out of true walls
- Double rollers deliver smooth operation throughout the product's life

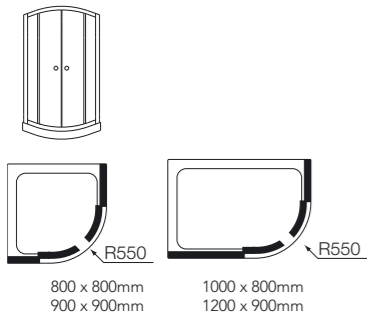
- 5mm toughened safety glass - coated for easy cleaning
- Power shower approved
- Height from top of tray: 1900mm
- 10 year guarantee

DETAILS



Configuration options

Quadrant



5mm toughened safety glass

The toughened safety glass used on the Mira Beam quadrant door is 5mm thick. It provides peace of mind and a feeling of high quality.



Double rollers

The double rollers on the sliding and quadrant doors provide a smooth, consistent gliding action to give a high quality feel and performance throughout the product's life.

Dimensions & tray compatibility

All sizes are in mm

Mira Beam quadrant	size	frame finish option	panel / door kit*	glass	frame adjustment alcove door	door opening	10mm filler kit (if required)	Flight tray compatibility	Flight Low tray compatibility	Price
1.1721.418	800 x 800	Silver	Panel Door	Clear	772-801	420	1.1721.427	800 Quad	800 Quad	£358.80
1.1721.421	900 x 900	Silver	Panel Door	Clear	872-901	420	1.1721.427	900 Quad	900 Quad	£271.20
1.1721.419	1000 x 800	Silver	Panel Door	Clear	972-1001 & 772-801	420	1.1721.427	1000x800 Quad LH/RH	1000x800 Quad LH/RH	£358.80
1.1721.422	1200 x 900	Silver	Panel Door	Clear	1172-1201 & 872-901	420	1.1721.427	1200x900 Quad LH/RH	1200x900 Quad LH/RH	£271.20

* Panel and door kits need to combine to create unit.



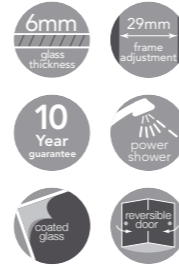
Mira Beam pivot pentagon - corner

The pentagon enclosure boasts minimalist styling, perfect when space is limited.

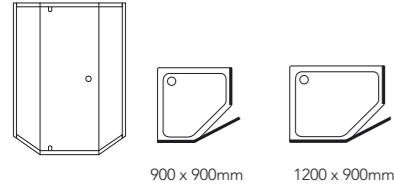
Product features

- Reversible door for left or right hand opening
- For corner installation only
- 29mm of adjustment on each wall profile for out of true walls
- Adjustable ball catch closing mechanism ensures a solid closing action
- 4mm & 6mm toughened safety glass - coated for easy cleaning
- Power shower approved
- Height from top of tray: 1900mm
- 10 year guarantee

DETAILS



Configuration options



Unique design details



900x900 option



Dimensions & tray compatibility

All sizes are in mm

Mira Beam pivot pentagon	size	frame finish option	panel / door kit*	glass	frame adjustment alcove door	door opening	10mm filler kit (if required)	Flight tray compatibility	Flight Low tray compatibility	Price
1.1721.403	900 x 900	Silver	Panel Door	Clear	863-892	542	1.1721.427	900x900 Pentagon	900x900 Pentagon	£396.00
1.1721.448	900 x 900	Silver	Panel Door	Clear	863-892	542	1.1721.427	900x900 Pentagon	900x900 Pentagon	£489.60
1.1721.403	1200 x 900	Silver	Panel Door	Clear	863-892 & 1163-1192	542	1.1721.427	1200x900 Pentagon	1200x900 Pentagon	£396.00
1.1721.449	1200 x 900	Silver	Panel Door	Clear	863-892 & 1163-1192	542	1.1721.427	1200x900 Pentagon	1200x900 Pentagon	£524.40

* Panel and door kits need to combine to create unit.

Mira Beam bi-fold pentagon - corner

The pentagon enclosure boasts minimalist styling, perfect when space is limited.

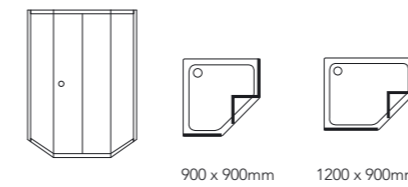
Product features

- Reversible door for left or right hand opening
- For corner installation only
- Planet gears ensure consistent alignment throughout the product's life
- 29mm of adjustment on each wall profile for out of true walls
- 4mm toughened safety glass - coated for easy cleaning
- Power shower approved
- Height from top of tray: 1900mm
- 10 year guarantee

DETAILS



Configuration options



Planet gear

The planet gear mechanism, found on the bi-fold model, ensures correct alignment leading to a consistent smooth action. Magnetic strips along the top and bottom of the door ensure a strong closure.



1200x900 option



Dimensions & tray compatibility

All sizes are in mm

Mira Beam bifold pentagon	size	frame finish option	panel / door kit*	glass	frame adjustment alcove door	door opening	10mm filler kit (if required)	Flight tray compatibility	Flight Low tray compatibility	Price
1.1721.407	900 x 900	Silver	Panel Door	Clear	863-892	440	1.1721.427	900x900 Pentagon	900x900 Pentagon	£477.60
1.1721.448	900 x 900	Silver	Panel Door	Clear	863-892	440	1.1721.427	900x900 Pentagon	900x900 Pentagon	£489.60
1.1721.407	1200 x 900	Silver	Panel Door	Clear	863-892 & 1163-1192	440	1.1721.427	1200x900 Pentagon	1200x900 Pentagon	£477.60
1.1721.449	1200 x 900	Silver	Panel Door	Clear	863-892 & 1163-1192	440	1.1721.427	1200x900 Pentagon	1200x900 Pentagon	£524.40

* Panel and door kits need to combine to create unit.

Mira Beam walk-in - alcove

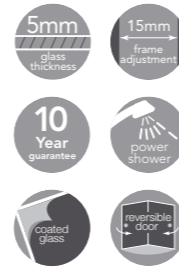
Defined by the smooth elegant curve of the glass panel, the Mira Beam walk-in offers the ultimate in luxury showering. The alcove walk-in installs between two walls for the most ultra-modern look and creative use of space.

Product features

- Frameless panels give contemporary minimal styling
- Walk-in enclosure for a touch of luxury
- Reversible for left or right hand tray
- For installation in alcove

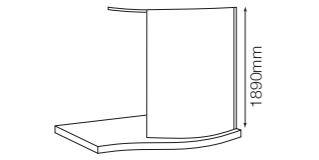
- Frame adjustment for uneven walls
- 5mm toughened safety glass
- Power shower approved*
- Height from top of tray: 1890mm
- 10 year guarantee
- *Some splashing is unavoidable

DETAILS

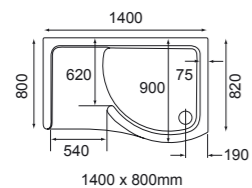


Configuration options

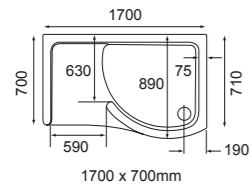
Right and showering area



Right hand tray low level

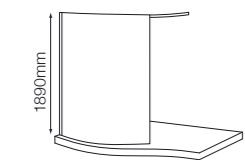


1400 x 800mm

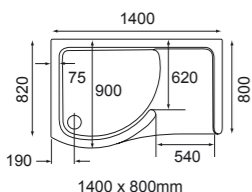


1700 x 700mm

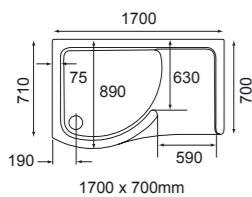
Left and showering area



Left hand tray low level



1400 x 800mm



1700 x 700mm



Dimensions & tray compatibility

All sizes are in mm

Mira Beam walk-in alcove	size	frame finish option	glass	frame adjustment alcove door	door opening	18mm filler kit (if required)	Flight tray compatibility	Price
1.1721.569	1400x800	Silver	Clear	n/a	540	1.1721.573	1400x800 L/H 1400x800 R/H	£624.00
1.1721.570	1700x700	Silver	Clear	n/a	590	1.1721.573	1700x700 L/H 1700x700 R/H	£709.20

Mira Beam walk-in - corner

Defined by the smooth elegant curve of the glass panel, the Mira Beam walk-in offers the ultimate in luxury showering. The walk-in enclosure installs in a corner for the most ultra-modern look and creative use of space.

Product features

- Frameless panels give contemporary minimal styling
- Walk-in enclosure for a touch of luxury
- Reversible for left or right hand tray
- End panel included for corner installation
- Matching towel rail on the end panel, can be installed inside or outside the showering area

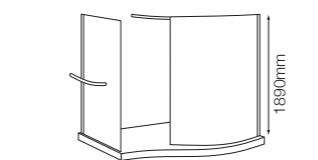
- Frame adjustment for uneven walls
- 5mm toughened safety glass
- Power shower approved*
- Height from top of tray: 1890mm
- 10 year guarantee
- *Some splashing is unavoidable

DETAILS

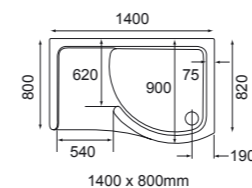


Configuration options

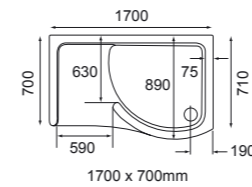
Right and showering area



Right hand tray low level

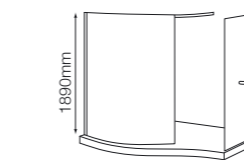


1400 x 800mm

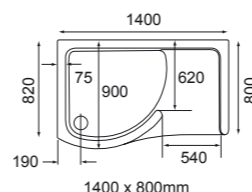


1700 x 700mm

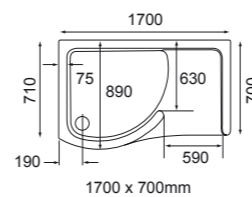
Left and showering area



Left hand tray low level



1400 x 800mm



1700 x 700mm



Dimensions & tray compatibility

All sizes are in mm

Mira Beam walk-in corner	size	frame finish option	glass	frame adjustment alcove door	door opening	18mm filler kit (if required)	Flight tray compatibility	Price
1.1721.571	1400x800	Silver	Clear	719-734	540	1.1721.573	1400x800 L/H 1400x800 R/H	£885.60
1.1721.572	1700x700	Silver	Clear	630-646	590	1.1721.573	1700x700 L/H 1700x700 R/H	£1006.80

Mira Beam bathscreen

The Mira range of bathscreens is designed with modern, clean lines and a high quality finish for a simple yet effective way to protect your bathroom while showering.

Product features

- Semi frameless design gives contemporary styling
- Modern clean lines give your bathroom a premium feel
- Swings in or out for easy access and cleaning
- Frame adjustment for uneven walls

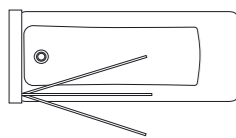
- 5mm toughened safety glass
- Power shower approved
- Height 1450mm
- Length 800mm
- 10 year guarantee

DETAILS



Configuration options

Bathscreen - square



Square



800mm

Radius



800mm

Dimensions

All sizes are in mm

Mira Beam square bath screen	size	frame finish option	glass	Price
1.1721.616	1450x800	Silver	Clear	£212.40

Mira Beam radius bath screen	size	frame finish option	glass	Price
1.1721.617	1450x800	Silver	Clear	£212.40



5mm toughened safety glass

The toughened safety glass used on the Mira Beam bathscreen is 5mm thick. It provides peace of mind and a feeling of high quality.

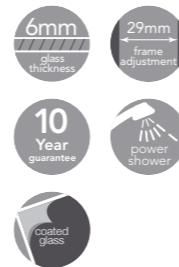


Mira Flight Beam accessories

Product features

- 6mm toughened safety glass - coated for easy cleaning
- For corner installation only
- 29mm adjustment on each wall profile for out of true walls
- Power shower approved
- Height from top of tray: 1900mm
- 10 year guarantee

DETAILS

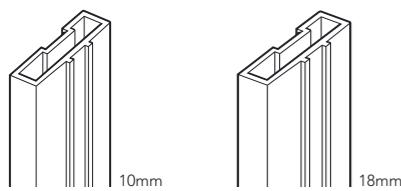


10mm & 18mm filler section

Mira Flight Beam filler section suitable to use with all doors, side panels and enclosures. Extend the width of a door, side panel and enclosure by 10mm or 18mm.

Dimensions

All sizes are in mm



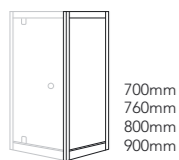
Mira Flight Beam filler section	size	frame finish option	glass	frame adjustment	door opening	10mm filler kit (if required)	Flight tray compatibility	Flight Low tray compatibility	Price
1.1721.427	10	Silver	n/a	n/a	n/a	n/a	n/a	n/a	£44.88
1.1721.573	18	Silver	n/a	n/a	n/a	n/a	n/a	n/a	£44.88

Side panels

Mira Flight Beam side panels create corner enclosures when combined with a pivot, bi-fold and sliding doors.

Dimensions

All sizes are in mm



Mira Flight Beam side section	size	frame finish option	glass	frame adjustment	door opening	10mm filler kit (if required)	Flight tray compatibility	Flight Low tray compatibility	Price
1.1721.414	700	Silver	Clear	658-687	n/a	n/a	n/a	n/a	£225.60
1.1721.415	760	Silver	Clear	720-749	n/a	n/a	n/a	n/a	£225.60
1.1721.416	800	Silver	Clear	758-787	n/a	n/a	n/a	n/a	£232.80
1.1721.417	900	Silver	Clear	858-887	n/a	n/a	n/a	n/a	£260.40

Mira Flight Beam accessories

Product features

- 4mm toughened safety glass - coated for easy cleaning
- For alcove or corner installation only
- 29mm adjustment on each wall profile for out of true walls
- Power shower approved
- Height from top of tray: 1900mm
- 10 year guarantee

DETAILS



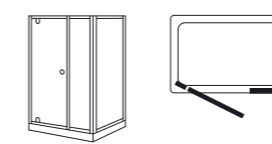
400mm inline panel

Mira Flight Beam inline panel to suit pivot and bi-fold doors. Combine inline panel with pivot and bi-fold doors for an extended enclosure e.g. one inline panel combined with a standard 800mm pivot door = a 1200mm width.

Dimensions

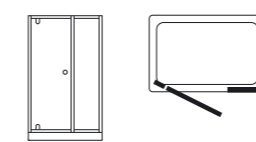
All sizes are in mm

Pivot extended alcove



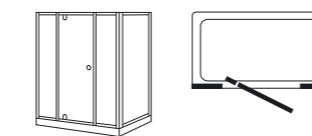
1200mm
1400mm

Pivot extended corner enclosure



1200 x 700mm 1400 x 700mm
1200 x 760mm 1400 x 760mm
1200 x 800mm 1400 x 800mm
1200 x 900mm 1400 x 900mm

Pivot double extended corner enclosure



Also available for use with bi-fold door

1600 x 700mm 1700 x 700mm 1800 x 700mm
1600 x 760mm 1700 x 760mm 1800 x 760mm
1600 x 800mm 1700 x 800mm 1800 x 800mm
1600 x 900mm 1700 x 900mm 1800 x 900mm

Mira Flight Beam inline panels	size	frame finish option	glass	frame adjustment	door opening	10mm filler kit (if required)	Flight tray compatibility	Flight Low tray compatibility	Price
1.1721.413	400	Silver	Clear	n/a	n/a	1.1721.427	n/a	n/a	£225.60





Mira Flight Trays

Mira Flight shower trays are not only lighter, stronger and easier to fit they are renowned for leading technology too.

We've brought the Mira Flight range right up to date with a contemporary, sleek look and a host of reassuring features you'd expect from Mira. Made from strong acrylic capped resin stone our Flight trays are incredibly robust. They're also scratch and chip resistant and designed to keep their great colour for a lifetime.

Exclusive leading technology.

Every Flight tray includes exclusive BioCote® technology which reduces bacteria and mould growth by up to 99.9%.

Other outstanding features include:

- Branded white walk-on waste, which adds to the slim-line, stylish finish
- Optional riser kit featuring strong 'push-fit' legs for solid floor applications
- Includes waste trap
- Variations with integral upstands for watertight performance
- 10 year guarantee for home use

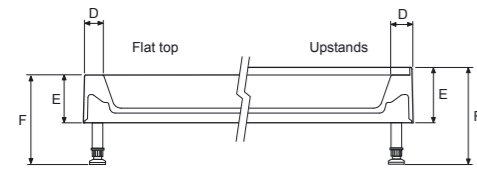


Mira Flight trays

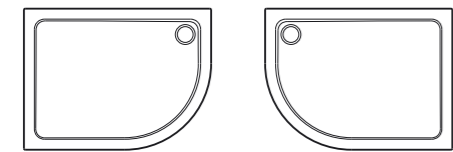
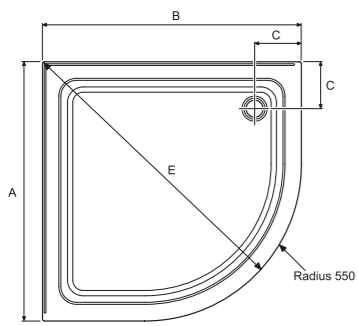
Product features

- Scratch, chip and discolouration resistant
- Two, optional riser kits featuring strong 'push-fit' legs for solid floor applications - Flexible height or Flush fit options
- Branded white walk-on waste, which adds to the slim-line, stylish finish
- Includes BioCote® to reduce bacteria and mould growth by up to 99.9%
- Variants with integral upstands for watertight performance
- 10 year guarantee for home use

Mira Flight height Flat top or Upstands



Mira Flight tray - quadrant



Left hand Right hand

Mira Flight tray - quadrant

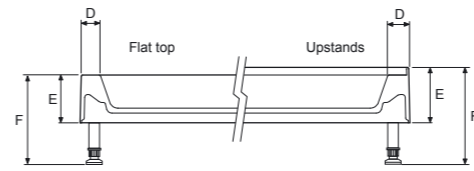
Availability

size (mm)	upstands	tray product code	price	flexible height riser conversion kit	price	flush fit riser conversion kit	price
800x800	0	1.1783.040.WH	£164.40	1.1570.753.WH	£78.00	1.1783.102.WH	£80.40
800x800	2	1.1783.041.WH	£202.80	1.1570.753.WH	£78.00	1.1783.102.WH	£80.40
900x900	0	1.1783.042.WH	£177.60	1.1570.753.WH	£78.00	1.1783.102.WH	£80.40
900x900	2	1.1783.043.WH	£229.20	1.1570.753.WH	£78.00	1.1783.102.WH	£80.40
1000x800 LH	0	1.1783.044.WH	£231.60	1.1570.750.WH	£117.60	1.1783.105.WH	£117.60
1000x800 RH	0	1.1783.045.WH	£231.60	1.1570.750.WH	£117.60	1.1783.105.WH	£117.60
1200x900 LH	0	1.1783.046.WH	£262.80	1.1570.750.WH	£117.60	1.1783.105.WH	£117.60
1200x900 RH	0	1.1783.047.WH	£262.80	1.1570.750.WH	£117.60	1.1783.105.WH	£117.60

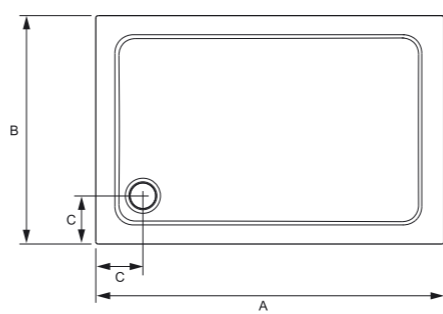
Dimensions (mm)

Flat top							Upstands						
A	B	C	D	E	F (Flex)	F (Flush)	A	B	C	D	E	F (Flex)	F (Flush)
800	800	160	55	90	185-205	190	810	810	165	60	112	207-227	212
900	900	160	55	90	185-205	190	910	910	165	60	112	207-227	212
800	1000	160	55	90	185-205	190	N/A	N/A	N/A	N/A	N/A	N/A	N/A
900	1200	160	55	90	185-205	190	N/A	N/A	N/A	N/A	N/A	N/A	N/A

Mira Flight height Flat top or Upstands



Mira Flight tray - rectangle



Mira Flight tray - rectangle

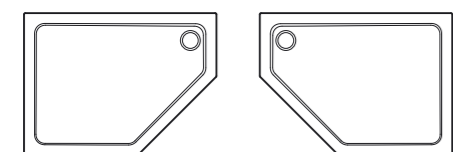
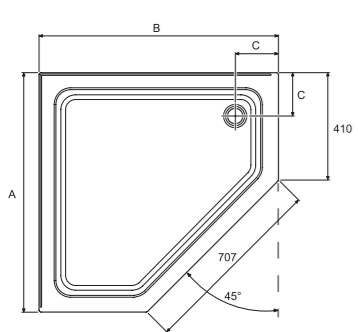
Availability

size	upstands	product tray code	price	flexible height riser conversion kit	price	flush fit riser conversion kit	price
900x760	0	1.1783.009.WH	£177.60	1.1570.130.WH	£67.20	1.1783.101.WH	£67.20
900x760	3	1.1783.010.WH	£232.80	1.1570.130.WH	£67.20	1.1783.101.WH	£67.20
900x760	4	1.1783.011.WH	£232.80	1.1570.130.WH	£67.20	1.1783.101.WH	£67.20
1000x760	0	1.1783.016.WH	£184.80	1.1570.131.WH	£70.80	1.1783.104.WH	£70.80
1000x760	3	1.1783.017.WH	£240.00	1.1570.131.WH	£70.80	1.1783.104.WH	£70.80
1000x760	4	1.1783.018.WH	£240.00	1.1570.131.WH	£70.80	1.1783.104.WH	£70.80
1000x800	0	1.1783.019.WH	£195.60	1.1570.131.WH	£70.80	1.1783.104.WH	£70.80
1000x800	3	1.1783.020.WH	£247.20	1.1570.131.WH	£70.80	1.1783.104.WH	£70.80
1000x800	4	1.1783.021.WH	£247.20	1.1570.131.WH	£70.80	1.1783.104.WH	£70.80
1200x760	0	1.1783.022.WH	£198.00	1.1570.131.WH	£70.80	1.1783.104.WH	£70.80
1200x760 LH	2	1.1783.023.WH	£250.80	1.1570.131.WH	£70.80	1.1783.104.WH	£70.80
1200x760 RH	2	1.1783.024.WH	£250.80	1.1570.131.WH	£70.80	1.1783.104.WH	£70.80
1200x760	3	1.1783.025.WH	£250.80	1.1570.131.WH	£70.80	1.1783.104.WH	£70.80
1200x760	4	1.1783.026.WH	£250.80	1.1570.131.WH	£70.80	1.1783.104.WH	£70.80
1200x800	0	1.1783.027.WH	£211.20	1.1570.131.WH	£70.80	1.1783.104.WH	£70.80
1200x800	3	1.1783.028.WH	£266.40	1.1570.131.WH	£70.80	1.1783.104.WH	£70.80
1200x800	4	1.1783.029.WH	£266.40	1.1570.131.WH	£70.80	1.1783.104.WH	£70.80
1200x900	0	1.1783.030.WH	£219.60	1.1570.131.WH	£70.80	1.1783.104.WH	£70.80
1200x900	3	1.1783.031.WH	£292.80	1.1570.131.WH	£70.80	1.1783.104.WH	£70.80
1200x900	4	1.1783.032.WH	£292.80	1.1570.131.WH	£70.80	1.1783.104.WH	£70.80
1400x800	0	1.1783.033.WH	£297.60	1.1570.642.WH	£99.60	1.1783.107.WH	£99.60
1500x760	4	1.1783.034.WH	£412.80	1.1570.642.WH	£99.60	1.1783.107.WH	£99.60

Dimensions (mm)

Flat top							Upstands						
A	B	C	D	E	F (Flex)	F (Flush)	A	B	C	D	E	F (Flex)	F (Flush)
900	760	160	55	90	210-240	190	910	770	165	60	112	232-262	212
1000	760	160	55	90	210-240	190	1010	770	165	60	112	232-262	212
1000	800	160	55	90	210-240	190	1010	810	165	60	112	232-262	212
1200	760	160	55	90	210-240	190	1210	770	165	60	112	232-262	212
1200	800	160	55	90	210-240	190	1210	810	165	60	112	232-262	212
1200	900	160	55	90	210-240	190	1210	910	165	60	112	232-262	212
1400	800	160	55	90	210-240	190	N/A	N/A	N/A	N/A	N/A	N/A	N/A
N/A	N/A	N/A	N/A	N/A	N/A	N/A	1510	760	165	60	112	232-262	212

Mira Flight tray - pentagon



Left hand Right hand

Mira Flight tray - pentagon

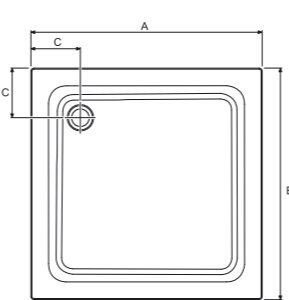
All sizes are in mm

size (mm)	upstands	tray product code	price	flexible height riser conversion kit	price	flush fit riser conversion kit	price
900x900	0	1.1783.050.WH	£177.60	1.1570.132.WH	£67.20	1.1783.106.WH	£117.60
900x900	2	1.1783.051.WH	£268.80	1.1570.132.WH	£67.20	1.1783.106.WH	£117.60
1200x900 LH	0	1.1783.052.WH	£264.00	1.1570.751.WH	£117.60	1.1783.106.WH	£117.60
1200x900 RH	0	1.1783.053.WH	£264.00	1.1570.751.WH	£117.60	1.1783.106.WH	£117.60

Dimensions (mm)

Flat top							Upstands						
A	B	C	D	E	F (Flex)	F (Flush)	A	B	C	D	E	F (Flex)	F (Flush)
900	900	160	55	90	210-240	190	910	910	165	60	112	232-262	212
1200	900	160	55	90	210-240	190	N/A	N/A	N/A	N/A	N/A	N/A	N/A

Mira Flight tray - square



Mira Flight tray - square

Availability

size (mm)	upstands	tray product code	price	flexible height riser conversion kit	price	flush fit riser conversion kit	price
760x760	0	1.1783.001.WH	£100.80	1.1570.138.WH	£62.40	1.1783.100.WH	£62.40
760x760	2	1.1783.002.WH	£133.20	1.1570.138.WH	£62.40	1.1783.100.WH	£62.40
760x760	3	1.1783.003.WH	£133.20	1.1570.138.WH	£62.40	1.1783.100.WH	£62.40
760x760	4	1.1783.004.WH	£133.20	1.1570.138.WH	£62.40	1.1783.100.WH	£62.40
800x800	0	1.1783.005.WH	£112.80	1.1570.130.WH	£67.20	1.1783.101.WH	£67.20
800x800	2	1.1783.006.WH	£148.80	1.1570.130.WH	£67.20	1.1783.101.WH	£67.20
800x800	3	1.1783.007.WH	£148.80	1.1570.130.WH	£67.20	1.1783.101.WH	£67.20
800x800	4	1.1783.008.WH	£148.80	1.1570.130.WH	£67.20	1.1783.101.WH	£67.20
900x900	0	1.1783.012.WH	£175.20	1.1570.130.WH	£67.20	1.1783.101.WH	£67.20
900x900	2	1.1783.013.WH	£229.20	1.1570.130.WH	£67.20	1.1783.101.WH	£67.20
900x900	3	1.1783.014.WH	£229.20	1.1570.130.WH	£67.20	1.1783.101.WH	£67.20
900x900	4	1.1783.015.WH	£229.20	1.1570.130.WH	£67.20	1.1783.101.WH	£67.20

Dimensions (mm)

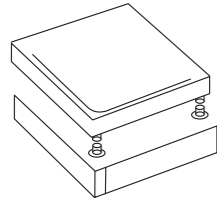
Flat top							Upstands						
A	B	C	D	E	F (Flex)	F (Flush)	A	B	C	D	E	F (Flex)	F (Flush)
760	760	160	55	90	210-240	190	770	770	165	60	112	232-262	212
800	800	160	55	90	210-240	190	810	810	165	60	112	232-262	212
900	900	160	55	90	210-240	190	910	910	165	60	112	232-262	212

Mira Flight trays

Product features

- Scratch, chip and discolouration resistant
- Two, optional riser kits featuring strong 'push-fit' legs for solid floor applications - Flexible height or Flush fit options
- Branded white walk-on waste, which adds to the slim-line, stylish finish
- Includes BioCote® to reduce bacteria and mould growth by up to 99.9%
- Variants with integral upstands for watertight performance
- 10 year guarantee for home use

Mira Flight tray - riser conversion kit



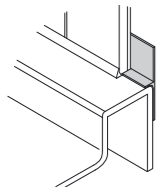
Mira Flight tray - riser conversion kit

Availability

description	flexible height riser conversion kit	price	flush fit riser conversion kit	price	no. of legs
Flight 760 SQ riser conversion kit	1.1570.138.WH	£62.40	1.1783.100.WH	£62.40	5
Flight 900 SQ riser conversion kit	1.1570.130.WH	£67.20	1.1783.101.WH	£67.20	5
Flight 1200 rectangle riser conversion kit	1.1570.131.WH	£70.80	1.1783.104.WH	£70.80	7
Flight 1700 rectangle riser conversion kit	1.1570.642.WH	£99.60	1.1783.107.WH	£99.60	7
Flight 900 pentagon riser conversion kit	1.1570.132.WH	£67.20	1.1783.106.WH	£117.60	7
Flight 1200 pentagon riser conversion kit	1.1570.751.WH	£117.60	1.1783.106.WH	£117.60	7-9
Flight 900 quadrant riser conversion kit	1.1570.753.WH	£78.00	1.1783.102.WH	£80.40	7
Flight 1200 quadrant riser conversion kit	1.1570.750.WH	117.60	1.1783.105.WH	£117.60	7

Mira tile upstand kit

Forms a seal to the tray and provides an upstand to tile onto

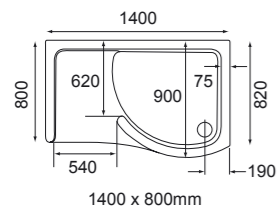


Mira tile upstand kit

Availability

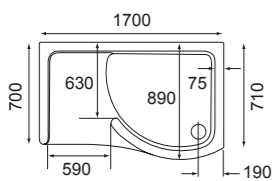
description	part no.	length (m)	price
Mira tile upstand kit	1.1697.240.WH	3.6	£28.80

Mira Flight walk-in trays



1400 x 800mm

Right hand shown



1700 x 700mm

Right hand shown

Mira Flight walk-in trays (for Beam walk-in)

All sizes are in mm

description	part no.	length (mm)	width (mm)	height (mm)	price	riser conversion kit product code	price
1400x800 L/H	400825	1400	800	80	£375.60	107404	£34.80
1400x800 R/H	400826	1400	800	80	£375.60	107404	£34.80
1700x700 L/H	400821	1700	700	80	£472.80	107403	£34.80
1700x700 R/H	400822	1700	700	80	£472.80	107403	£34.80

Mira walk-in riser conversion kit

Availability

description	part no.	price
Flight 1400x800 walk-in riser conversion kit	107404	£34.80
Flight 1700x700 walk-in riser conversion kit	107403	£34.80



Mira Flight Low Trays

Made from durable acrylic capped, resin stone, Mira Flight Low isn't just incredibly tough and surprisingly light, it's also one of the lowest trays you can buy.

Our impressive low profile tray is a super thin 40mm, making it one of the lowest trays in production. It allows you to create that amazing 'wet room' look in any bathroom. Mira Flight Low trays also have all the hardwearing benefits you'd expect, ensuring they're chip and scratch resistant whilst keeping their great colour for a lifetime.

Exclusive leading technology.

Each one features Flight Low vortex waste which rapidly sucks water from the tray at a maximum of 30 litres a minute.

They also include exclusive BioCote® technology, proven to reduce bacteria and mould growth by up to 99.9%.

Other outstanding features include:

- Optional riser kit featuring strong 'push-fit' legs for solid floor applications
- A slimline waste cover
- Vortex waste
- 10 year guarantee for home use

40mm

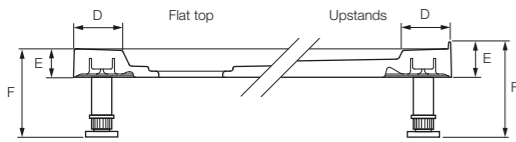


Mira Flight Low trays

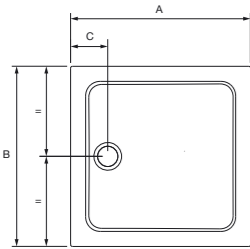
- Only 40mm high
- Scratch, chip and discolouration resistant
- Optional riser kit featuring strong 'push-fit' legs for solid floor applications
- Vortex waste which rapidly sucks water from the tray from 25 - 30 litres a minute

- Includes BioCote® to reduce bacteria and mould growth by up to 99.9%
- Variants with integral upstands for watertight performance
- 10 year guarantee for home use

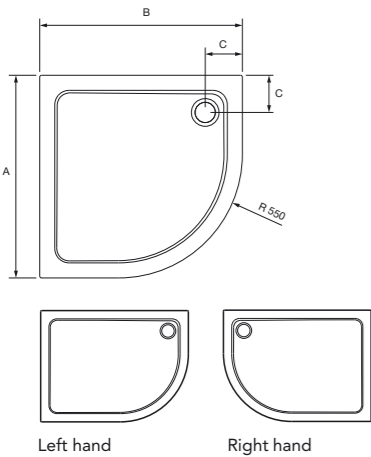
Mira Flight Low height Flat top or Upstands



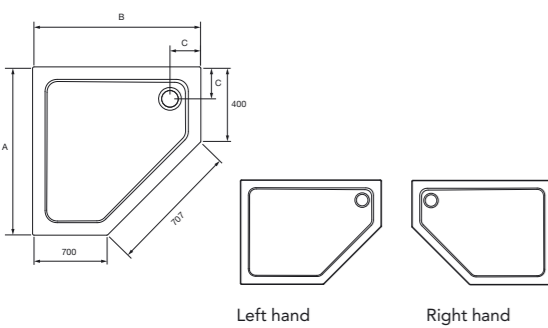
Mira Flight Low tray - square



Mira Flight Low tray - quadrant



Mira Flight Low tray - pentagon



Mira Flight Low tray - square

Availability

size (mm)	upstands	trays product code	price	riser conversion kit product code	price
760X760	0	1.1697.014.WH	£100.80	1.1697.030.WH	£67.20
760X760	4	1.1697.342.WH	£133.20	1.1697.030.WH	£67.20
800X800	0	1.1697.010.WH	£112.80	1.1697.030.WH	£67.20
800X800	2	1.1697.320.WH	£148.80	1.1697.030.WH	£67.20
800X800	4	1.1697.322.WH	£148.80	1.1697.030.WH	£67.20
900X900	0	1.1697.009.WH	£175.20	1.1697.030.WH	£67.20
900X900	2	1.1697.323.WH	£229.20	1.1697.030.WH	£67.20
900X900	4	1.1697.325.WH	£229.20	1.1697.030.WH	£67.20
1000X1000	0	1.1697.040.WH	£244.80	1.1697.030.WH	£67.20

Dimensions (mm)

Flat top						Upstands					
A	B	C	D	E	F	A	B	C	D	E	F
760	760	165	68	40	140-160	770	770	170	72	62	162-182
800	800	165	68	40	140-160	810	810	170	72	62	162-182
900	900	165	68	40	140-160	910	910	170	72	62	162-182
1000	1000	165	68	40	140-160	-	-	-	-	-	-

Mira Flight Low tray - quadrant

Availability

size (mm)	upstands	trays product code	price	riser conversion kit product code	price
800X800	0	1.1697.015.WH	£164.40	1.1697.035.WH	£78.00
800X800	2	1.1697.479.WH	£202.80	1.1697.035.WH	£78.00
900X900	0	1.1697.012.WH	£177.60	1.1697.035.WH	£78.00
1000X1000	0	1.1697.041.WH	£219.60	1.1697.267.WH	£93.60
1000X800 LH	0	1.1697.022.WH	£231.60	1.1697.037.WH	£117.60
1000X800 RH	0	1.1697.023.WH	£231.60	1.1697.037.WH	£117.60
1200X900 LH	0	1.1697.024.WH	£262.80	1.1697.037.WH	£117.60
1200X900 RH	0	1.1697.025.WH	£262.80	1.1697.037.WH	£117.60

Dimensions (mm)

Flat top						Upstands					
A	B	C	D	E	F	A	B	C	D	E	F
800	800	165	68	40	140-160	810	810	170	72	62	162-182
900	900	165	68	40	140-160	-	-	-	-	-	-
1000	1000	165	68	40	140-160	-	-	-	-	-	-
1000	800	165	68	40	140-160	-	-	-	-	-	-
1200	900	165	68	40	140-160	-	-	-	-	-	-

Mira Flight Low tray - pentagon

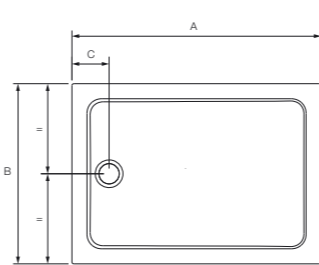
Availability

size (mm)	upstands	trays product code	price	riser conversion kit product code	price
900X900	0	1.1697.016.WH	£177.60	1.1697.036.WH	£117.60
1200X900 LH	0	1.1697.026.WH	£264.00	1.1697.036.WH	£117.60
1200X900 RH	0	1.1697.027.WH	£264.00	1.1697.036.WH	£117.60

Dimensions (mm)

Flat top						Upstands					
A	B	C	D	E	F	A	B	C	D	E	F
900	900	165	68	40	140-160	-	-	-	-	-	-
1200	900	165	68	40	140-160	-	-	-	-	-	-

Mira Flight Low tray - rectangle

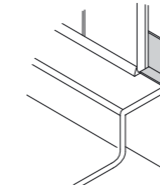


Dimensions (mm)

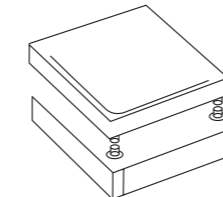
Flat top						Upstands					
A	B	C	D	E	F	A	B	C	D	E	F
900	760	165	68	40	140-160	910	770	170	72	62	162-182
1000	700	165	68	40	140-160	-	-	-	-	-	-
1000	760	165	68	40	140-160	1010	770	170	72	62	162-182
1000	800	165	68	40	140-160	1010	810	170	72	62	162-182
1100	800	165	68	40	140-160	-	-	-	-	-	-
1200	700	165	68	40	140-160	-	-	-	-	-	-
1200	760	165	68	40	140-160	1210	770	170	72	62	162-182
1200	800	165	68	40	140-160	1210	810	170	72	62	162-182
1200	900	165	68	40	140-160	1210	910	170	72	62	162-182
1400	700	165	68	40	140-160	-	-	-	-	-	-
1400	760	165	68	40	140-160	-	-	-	-	-	-
1400	800	165	68	40	140-160	1410	810	170	72	62	162-182
1400	900	165	68	40	140-160	1410	910	170	72	62	162-182
1500	700	165	68	40	140-160	-	-	-	-	-	-
1500	760	165	68	40	140-160	-	-	-	-	-	-
1600	700	165	68	40	140-160	-	-	-	-	-	-
1600	760	165	68	40	140-160	-	-	-	-	-	-
1600	900	165	68	40	140-160	-	-	-	-	-	-
1700	700	165	68	40	140-160	-	-	-	-	-	-
1700	760	165	68	40	140-160	1710	770	170	72	62	162-182
1700	900	165	68	40	140-160	1710	910	170	72	62	162-182

Mira tile upstand kit

Forms a seal to the tray and provides an upstand to tile onto



Mira Flight Low tray - riser conversion kit



Mira Flight Low tray - rectangle

Availability

size (mm)	upstands	trays product code	price	riser conversion kit product code	price
900X760	0	1.1697.017.WH	£177.60	1.1697.030.WH	£67.20
900X760	4	1.1697.351.WH	£232.80	1.1697.033.WH	£70.80
1000X700	0	1.1697.045.WH	£188.40	1.1697.033.WH	£70.80
1000X760	0	1.1697.008.WH	£184.80	1.1697.033.WH	£70.80
1000X760	4	1.1697.500.WH	£240.00	1.1697.033.WH	£70.80
1000X800	0	1.1697.007.WH	£195.60	1.1697.033.WH	£70.80
1000X800	4	1.1697.456.WH	£247.20	1.1697.033.WH	£70.80
1100X800	0	1.1697.013.WH	£217.20	1.1697.033.WH	£70.80
1200X700	0	1.1697.046.WH	£235.20	1.1697.033.WH	£70.80
1200X760	4	1.1697.345.WH	£250.80	1.1697.033.WH	£70.80
1200X800	0	1.1697.005.WH	£211.20	1.1697.033.WH	£70.80
1200X800	4	1.1697.348.WH	£266.40	1.1697.033.WH	£70.80
1200X900	0	1.1697.018.WH	£219.60	1.1697.033.WH	£70.80
1200X900	4	1.1697.490.WH	£292.80	1.1697.033.WH	£70.80
1400X700	0	1.1697.047.WH	£276.00	1.1697.034.WH	£99.60
1400X760	0	1.1697.004.WH	£247.20	1.1697.034.WH	£99.60
1400X800	0	1.1697.019.WH	£297.60	1.1697.034.WH	£99.60
1400X800	4	1.1697.495.WH	£387.60	1.1697.034.WH	£99.60
1400X900	0	1.1697.042.WH	£310.80	1.1697.034.WH	£99.60
1400X900	4	1.1697.485.WH	£404.40	1.1697.034.WH	£99.60
1500X700	0	1.1697.048.WH	£315.60	1.1697.034.WH	£99.60
1500X760	0	1.1697.003.WH	£318.00	1.1697.034.WH	£99.60
1600X700	0	1.1697.020.WH	£367.20	1.1697.034.WH	£99.60
1600X760	0	1.1697.002.WH	£378.00	1.1697.034.WH	£99.60
1600X900	0	1.1697.043.WH	£409.20	1.1697.034.WH	£99.60
1700X700	0	1.1697.021.WH	£384.00	1.1697.034.WH	£99.60
1700X760	0	1.1697.001.WH	£399.60	1.1697.034.WH	£99.60
1700X760	4	1.1697.510.WH	£519.60	1.1697.034.WH	£99.60
1700X900	0	1.1697.044.WH	£430.80	1.1697.034.WH	£99.60
1700X900	4	1.1697.578.WH	£560.40	1.1697.034.WH	£99.60

Mira tile upstand kit

Availability

description	part no.	length (m)	price
Mira tile upstand kit	1.1697.240.WH	3.6	£28.80

Mira Flight Low tray - riser conversion kit

Availability

description	part no.	price
Flight Low 900 square riser conversion kit	1.1697.030.WH	£67.20
Flight Low 1200 rectangle riser conversion kit	1.1697.033.WH	£70.80
Flight Low 1700 rectangle riser conversion kit	1.1697.034.WH	£99.60
Flight Low 900 quadrant riser conversion kit	1.1697.035.WH	£78.00
Flight Low 1000 quadrant riser conversion kit	1.1697.267.WH	£93.60
Flight Low pentagon riser conversion kit	1.1697.036.WH	£117.60
Flight Low 1200 quadrant riser conversion kit	1.1697.037.WH	£117.60



Mira Flight Safe Trays

Developed with our exclusive Mira Safe coating, Mira Flight Safe trays exceed the most stringent independent anti-slip tests in the UK.

Designed to the same high standards as all Mira Flight trays, complete with durable acrylic and resin stone, this Flight tray features our own market leading anti-slip technology, Flight Safe. The unique coating is bonded to the tray for a smooth, long lasting finish. It creates a surface that won't peel or rub off and is also incredibly easy to clean.

Exclusive leading technology.

It boasts the same low profile as the Mira Flight Low tray, of just 40 mm depth and features our BioCote® technology, which is proven to reduce bacteria and mould growth by up to 99.9%. The super sleek Flight tray also has the vortex waste as standard, which sucks water away at a rate of up to 30 litres a minute whilst also being self-cleaning.

Other outstanding features include:

- Tray has Mira Flight Safe anti-slip coating
- Easy to clean – anti-slip surface tested extensively

- The same white colour (matt finish) as other Mira Flight trays
- Optional riser kit featuring strong 'push-fit' legs for solid floor applications
- Optional integral upstand for water tight performance
- A slimline waste cover
- 10 year guarantee for home use

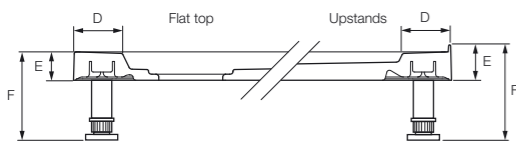


Mira Flight Safe trays

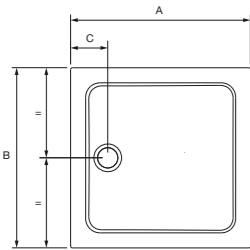
- Tray has Mira Flight Safe anti-slip coating
- Easy to clean – anti-slip surface tested extensively
- Only 40mm high
- Scratch, chip and discolouration resistant
- Optional riser kit featuring strong 'push-fit' legs for solid floor applications

- Vortex waste which rapidly sucks water from the tray from 25 - 30 litres a minute
- Includes BioCote® to reduce bacteria and mould growth by up to 99.9%
- Variants with integral upstands for watertight performance
- 10 year guarantee for home use

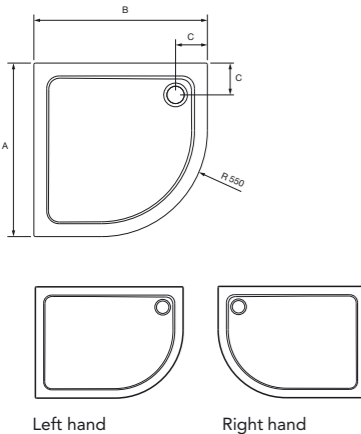
Mira Flight Safe height Flat top or Upstands



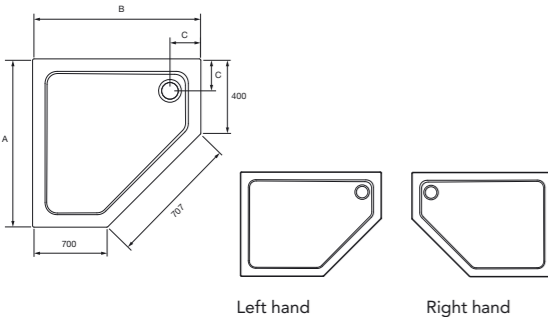
Mira Flight Safe tray - square



Mira Flight Safe tray - quadrant



Mira Flight Safe tray - pentagon



Mira Flight Safe tray - square

Availability

size (mm)	upstands	trays product code	price	riser conversion kit product code	price
760X760	0	1.1697.014.AS	£141.60	1.1697.030.WH	£67.20
760X760	4	1.1697.342.AS	£186.00	1.1697.030.WH	£67.20
800X800	0	1.1697.010.AS	£158.40	1.1697.030.WH	£67.20
800X800	2	1.1697.320.AS	£208.80	1.1697.030.WH	£67.20
800X800	4	1.1697.322.AS	£208.80	1.1697.030.WH	£67.20
900X900	0	1.1697.009.AS	£244.80	1.1697.030.WH	£67.20
900X900	2	1.1697.323.AS	£320.40	1.1697.030.WH	£67.20
900X900	4	1.1697.325.AS	£320.40	1.1697.030.WH	£67.20
1000X1000	0	1.1697.040.AS	£343.20	1.1697.030.WH	£67.20

Dimensions (mm)

Flat top						Upstands					
A	B	C	D	E	F	A	B	C	D	E	F
760	760	165	68	40	140-160	770	770	170	72	62	162-182
800	800	165	68	40	140-160	810	810	170	72	62	162-182
900	900	165	68	40	140-160	910	910	170	72	62	162-182
1000	1000	165	68	40	140-160	-	-	-	-	-	-

Mira Flight Safe tray - quadrant

Availability

size (mm)	upstands	trays product code	price	riser conversion kit product code	price
800X800	0	1.1697.015.AS	£230.40	1.1697.035.WH	£78.00
800X800	2	1.1697.479.AS	£284.40	1.1697.035.WH	£78.00
900X900	0	1.1697.012.AS	£248.40	1.1697.035.WH	£78.00
1000X1000	0	1.1697.041.AS	£307.20	1.1697.267.WH	£93.60
1000X800 LH	0	1.1697.022.AS	£324.00	1.1697.037.WH	£117.60
1000X800 RH	0	1.1697.023.AS	£324.00	1.1697.037.WH	£117.60
1200X900 LH	0	1.1697.024.AS	£368.40	1.1697.037.WH	£117.60
1200X900 RH	0	1.1697.025.AS	£368.40	1.1697.037.WH	£117.60

Dimensions (mm)

Flat top						Upstands					
A	B	C	D	E	F	A	B	C	D	E	F
800	800	165	68	40	140-160	810	810	170	72	62	162-182
900	900	165	68	40	140-160	-	-	-	-	-	-
1000	1000	165	68	40	140-160	-	-	-	-	-	-
1000	800	165	68	40	140-160	-	-	-	-	-	-
1200	900	165	68	40	140-160	-	-	-	-	-	-

Mira Flight Safe tray - pentagon

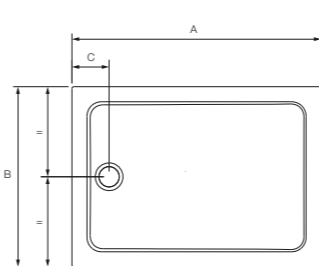
Availability

size (mm)	upstands	trays product code	price	riser conversion kit product code	price
900X900	0	1.1697.016.AS	£248.40	1.1697.036.WH	£117.60
1200X900 LH	0	1.1697.026.AS	£369.60	1.1697.036.WH	£117.60
1200X900 RH	0	1.1697.027.AS	£369.60	1.1697.036.WH	£117.60

Dimensions (mm)

Flat top						Upstands					
A	B	C	D	E	F	A	B	C	D	E	F
900	900	165	68	40	140-160	-	-	-	-	-	-
1200	900	165	68	40	140-160	-	-	-	-	-	-

Mira Flight Safe tray - rectangle

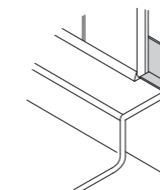


Dimensions (mm)

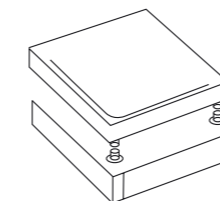
Flat top						Upstands					
A	B	C	D	E	F	A	B	C	D	E	F
900	760	165	68	40	140-160	910	770	170	72	62	162-182
1000	700	165	68	40	140-160	-	-	-	-	-	-
1000	760	165	68	40	140-160	1010	770	170	72	62	162-182
1000	800	165	68	40	140-160	1010	810	170	72	62	162-182
1100	800	165	68	40	140-160	-	-	-	-	-	-
1200	700	165	68	40	140-160	-	-	-	-	-	-
1200	760	165	68	40	140-160	1210	770	170	72	62	162-182
1200	800	165	68	40	140-160	1210	810	170	72	62	162-182
1200	900	165	68	40	140-160	1210	910	170	72	62	162-182
1400	700	165	68	40	140-160	-	-	-	-	-	-
1400	760	165	68	40	140-160	-	-	-	-	-	-
1400	800	165	68	40	140-160	1410	810	170	72	62	162-182
1400	900	165	68	40	140-160	1410	910	170	72	62	162-182
1500	700	165	68	40	140-160	-	-	-	-	-	-
1500	760	165	68	40	140-160	-	-	-	-	-	-
1600	700	165	68	40	140-160	-	-	-	-	-	-
1600	760	165	68	40	140-160	-	-	-	-	-	-
1600	900	165	68	40	140-160	-	-	-	-	-	-
1700	700	165	68	40	140-160	-	-	-	-	-	-
1700	760	165	68	40	140-160	1710	770	170	72	62	162-182
1700	900	165	68	40	140-160	1710	910	170	72	62	162-182

Mira tile upstand kit

Forms a seal to the tray and provides an upstand to tile onto



Mira Flight Safe tray - riser conversion kit



Mira Flight Safe tray - rectangle

Availability

size (mm)	upstands	trays product code	price	riser conversion kit product code	price
900X760	0	1.1697.017.AS	£248.40	1.1697.030.WH	£67.20
900X760	4	1.1697.351.AS	£326.40	1.1697.033.WH	£70.80
1000X700	0	1.1697.045.AS	£264.00	1.1697.033.WH	£70.80
1000X760	0	1.1697.008.AS	£259.20	1.1697.033.WH	£70.80
1000X760	4	1.1697.500.AS	£336.00	1.1697.033.WH	£70.80
1000X800	0	1.1697.007.AS	£273.60	1.1697.033.WH	£70.80
1000X800	4	1.1697.456.AS	£345.60	1.1697.033.WH	£70.80
1100X800	0	1.1697.013.AS	£303.60	1.1697.033.WH	£70.80
1200X700	0	1.1697.046.AS	£328.80	1.1697.033.WH	£70.80
1200X760	4	1.1697.345.AS	£351.60	1.1697.033.WH	£70.80
1200X800	0	1.1697.005.AS	£295.20	1.1697.033.WH	£70.80
1200X800	4	1.1697.348.AS	£373.20	1.1697.033.WH	£70.80
1200X900	0	1.1697.018.AS	£307.20	1.1697.033.WH	£70.80
1200X900	4	1.1697.490.AS	£410.40	1.1697.033.WH	£70.80
1400X700	0	1.1697.047.AS	£386.40	1.1697.034.WH	£99.60
1400X760	0	1.1697.004.AS	£345.60	1.1697.034.WH	£99.60
1400X800	0	1.1697.019.AS	£416.40	1.1697.034.WH	£99.60
1400X800	4	1.1697.495.AS	£543.60	1.1697.034.WH	£99.60
1400X900	0	1.1697.042.AS	£435.60	1.1697.034.WH	£99.60
1400X900	4	1.1697.485.AS	£566.40	1.1697.034.WH	£99.60
1500X700	0	1.1697.048.AS	£441.60	1.1697.034.WH	£99.60
1500X760	0	1.1697.003.AS	£445.20	1.1697.034.WH	£99.60
1600X700	0	1.1697.020.AS	£513.60	1.1697.034.WH	£99.60
1600X760	0	1.1697.002.AS	£529.20	1.1697.034.WH	£99.60
1600X900	0	1.1697.043.AS	£572.40	1.1697.034.WH	£99.60
1700X700	0	1.1697.021.AS	£537.60	1.1697.034.WH	£99.60
1700X760	0	1.1697.001.AS	£559.20	1.1697.034.WH	£99.60
1700X760	4	1.1697.510.AS	£728.40	1.1697.034.WH	£99.60
1700X900	0	1.1697.044.AS	£603.60	1.1697.034.WH	£99.60
1700X900	4	1.1697.578.AS	£784.80	1.1697.034.WH	£99.60

Mira tile upstand kit

Availability

description	part no.	length (m)	price
Mira tile upstand kit	1.1697.240.WH	3.6	£28.80

Mira Flight Safe tray - riser conversion kit

Availability

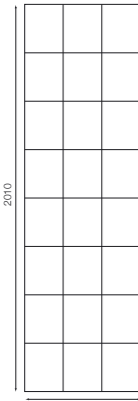
description	part no.	price
Flight Low 900 square riser conversion kit	1.1697.030.WH	£67.20
Flight Low 1200 rectangle riser conversion kit	1.1697.033.WH	£70.80
Flight Low 1700 rectangle riser conversion kit	1.1697.034.WH	£99.60
Flight Low 900 quadrant riser conversion kit	1.1697.035.WH	£78.00
Flight Low 1000 quadrant riser conversion kit	1.1697.267.WH	£93.60
Flight Low pentagon riser conversion kit	1.1697.036.WH	£117.60
Flight Low 1200 quadrant riser conversion kit	1.1697.037.WH	£117.60

Mira Flight wall panels

Flight walls are designed to complement the Mira Flight shower trays and are available in gloss white to offer a stylish contemporary finish to your bathroom. The walls are strong, durable and leak proof using patented Mira Flight technology so you can enjoy for years.

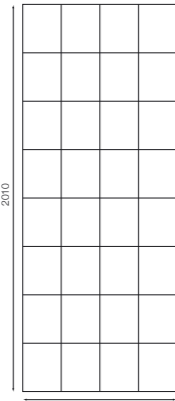
- BioCote® reduces bacteria and mould by up to 99.9%
- Unlike other protection, BioCote® will never wear off or wash away
- Corner joint provided with every panels

Suitable for 760 enclosure



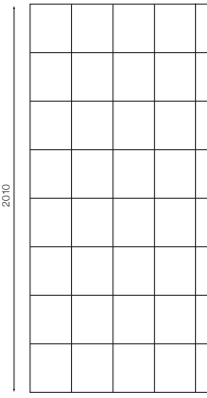
735
2010 x 735mm
760 Full Height Wall

Suitable for 800 enclosure



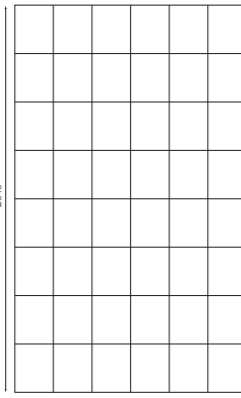
775
2010 x 775mm
800 Full Height Wall

Suitable for 900 enclosure



875
2010 x 875mm
900 Full Height Wall

Suitable for 1200 enclosure



1175
2010 x 1175mm
1200 Full Height Wall

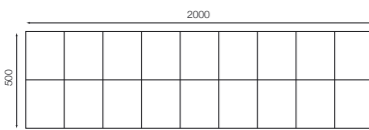


Wall panel accessories - straight connector



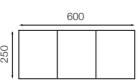
Corner joint provided with every panel

Bath splashback



500 x 2000mm
Bath Splash back

Basin splashback



250 x 600mm
Basin Splash back

Mira Flight wall panels

Availability

description	nominal enclosure size (mm)	width (mm)	height (mm)	product code	price
760 full height wall*	760	735	2010	1.1669.100.WH	£182.40
800 full height wall*	800	775	2010	1.1669.101.WH	£204.00
900 full height wall*	900	875	2010	1.1669.122.WH	£234.00
1200 full height wall*	1200	1175	2010	1.1669.102.WH	£276.00
Basin splashback	N/A	600	250	1.1669.071.WH	£48.00
Bath splashback	N/A	2000	500	1.1669.072.WH	£160.80
Straight connector	N/A	N/A	N/A	1.1669.097.WH	£19.20
Corner connector	N/A	N/A	N/A	1.1669.085.WH	£26.40

*includes a corner joint



Full height wall panel with bath splashback



Accessories

Even Mira accessories are carefully designed with great attention to detail and innovative thinking.

Experience the very latest in showering technology

Our design teams are constantly developing new and innovative showerheads to bring you an even better showering experience. Here's some of the latest additions to the Mira range:

- **Mira Eco** is a water-saving showerhead that can save up to 75%* of the water your shower uses and you won't notice any difference to the flow.

- **Mira Everclear** is specially designed to stop limescale building up, so your showerhead gives a consistent flow, offers great performance and a longer life.

- **Mira 360** is a brand new type of showerhead that literally turns showering on its head. Its simple flip action rotates the head to create four unique and invigorating sprays.

*When compared to a Mira Logic showerhead at 0.5 bar pressure, Mira Eco is not suitable for electric showers or gravity fed systems under 0.5 bar pressure.

Overview - accessories

Whether you're creating a new bathroom from scratch or simply replacing a shower part, we offer a wide range of accessories that are easy and simple to fit.

From showerheads that use less water to stylish soap dishes, we have an inspiring selection and most of the range will fit other showers too. So you can make Mira the finishing touch to your home.

Mira Single spray showerheads range

122



Mira Power spray showerheads range

125



Mira soap dish range

- Mira Logic soap dish
- Mira Response soap dish

126



Mira Adjustable spray showerheads range

122-123



Mira Showerhead holders & brackets range

- Mira Logic showerhead holder
- Mira Logic clamp bracket

126



Mira hose range

- Mira Response hose
- Mira Logic soap hose

126



Mira fitting kits

128-130



Mira Fixed spray showerheads range

124-125



Mira Logic wall outlet range

126



Mira slide bars range

- Mira Beat slide bar
- Mira Nectar slide bar
- Mira Response extra long fitting kit

127



The Mira showerhead range

Whether you're looking for a fixed, adjustable or power showerhead, we have the model to match. All of our showerheads are universal fit, so will fit with any standard shower hose. A simple screw thread connection makes installation quick and easy.

Single spray showerheads



Mira Beat

- Works with any shower on any system
- Single spray mode
- Rub-clean nozzles for easy limescale removal
- Easy to fit - no tools required
- Fits all hoses

White	Chrome
2.1703.009	2.1703.011
£21.84	£28.80



Mira Nectar

- Works with any shower on any system
- Single spray mode
- Rub-clean nozzles for easy limescale removal
- Easy to fit - no tools required
- Fits all hoses

White	Chrome
2.1703.001	2.1703.003
£21.84	£28.80



Mira Everclear

- Automatic self-drain and self-cleaning
- Suitable for mixer showers +0.2 bar (not suitable for electric showers)
- Prevents limescale build up
- 1 simple refreshing spray pattern
- Easy to fit
- Fits all hoses

Chrome
2.1605.111
£50.40

Adjustable spray showerheads



Mira Beat 9cm

- Works with any shower on any system
- 4 different spray patterns
- Rub-clean nozzles for easy limescale removal
- Easy to fit - no tools required
- Fits all hoses

White	Chrome
2.1703.010	2.1703.012
£30.00	£36.00



Mira Beat 11cm

- Works with any shower on any system
- Rub-clean nozzle for easy limescale removal
- 4 innovative spray patterns – Rain, Rain*, Burst and Storm modes provide unique sprays which work on all showers
- Easy to fit – no tools required
- Fits all hoses

White	Chrome
1.1605.238	1.1605.237
£42.00	£46.80



Mira Nectar

- Works with any shower on any system
- 4 different spray patterns
- Rub-clean nozzles for easy limescale removal
- Easy to fit - no tools required
- Fits all hoses

White	Chrome
2.1703.002	2.1703.004
£30.00	£36.00

Adjustable spray showerheads



Mira Response

- Works with any shower on any system
- 4 different spray patterns
- Rub-clean nozzles for easy cleaning
- Easy to fit
- Fits all hoses

White/grey	Chrome/dark grey
2.1605.103	2.1605.106
£30.00	£36.00



Mira Logic

- Works with any shower on any system
- 4 different spray patterns
- Easily adjustable sprays
- Eco setting option
- Easy to fit
- Rub-clean nozzles for easy cleaning
- Fits all hoses

White	Chrome
2.1605.177	2.1605.176
£36.00	£38.40



Mira Eco

- Reducing the amount of water means less energy is used
- Suitable for mixer showers +0.5 bar
- 3 different aerating full coverage spray patterns
- Rub-clean nozzles for easy cleaning
- Fits all hoses

White	Chrome
2.1605.110	2.1605.112
£43.20	£50.40



Mira Citrus 11cm

- For use with mixer showers and electric showers over 9.0kW
- 5 different spray patterns
- Rub-clean nozzles for easy cleaning
- Easy to fit
- Fits all hoses

Chrome
2.1605.201
£51.60



Mira Citrus 14cm

- For use with mixer showers and electric showers over 9.0kW
- 5 different spray patterns
- Rub-clean nozzles for easy cleaning
- Easy to fit
- Fits all hoses

Chrome
2.1605.115
£60.00



Mira Magna

- Works with any shower on any system
- 4 different spray patterns
- Easily adjustable sprays
- Easy to fit
- Rub-clean nozzles for easy cleaning
- Fits all hoses

Satin/chrome
2.1605.113
£60.00



Mira 360r

- Works with any shower on any system
- 4 different spray patterns: Rain, Burst, Storm & Cloud
- Easily adjustable sprays with unique flip action
- Easy to fit
- Fits all hoses

White/chrome
1.1688.202.1
£65.52



Mira 360m

- Works with any shower on any system
- 4 different spray patterns: Rain, Burst, Storm & Cloud
- Easily adjustable sprays with unique flip action
- Easy to fit
- Fits all hoses

White/chrome
2.1688.001
£62.40



Mira 360i

- Works with any shower on any system
- 4 different spray patterns: Rain, Burst, Storm & Cloud
- Easily adjustable sprays with unique flip action
- Easy to fit
- Fits all hoses

Black/chrome
2.1688.004
£72.00

The Mira showerhead range

Whether you're looking for a fixed, adjustable or power showerhead, we have the model to match. All of our showerheads are universal fit, so will fit with any standard shower hose. A simple screw thread connection makes installation quick and easy.

Fixed spray showerheads

Suitable for mixer showers with built-in pipework.



- Mira Logic**
- Suitable for all mixer showers with built-in pipework
 - 4 different spray patterns
 - Easily adjustable sprays
 - Easy to fit
 - Rub-clean nozzles for easy cleaning

Chrome
2.1605.184
£82.80



- Mira Discovery**
- Suitable for mixer showers +0.2 bar with built-in pipework

Chrome
1.1595.244
£85.20



- Mira Eco**
- Suitable for mixer showers +0.5 bar with built-in pipework
 - 3 different aerating full coverage spray patterns
 - Rub-clean nozzles for easy cleaning
 - Easy to fit

Chrome
2.1668.004
£85.20

Suitable for mixer showers with built-in pipework.



- Mira Wall-fed Fixed Showerhead Arm**
- The Mira Wall-fed Fixed Showerhead Arm is designed to be used in conjunction with the Mira Beat Deluge Fixed Showerhead.
 - Works with any built in mixer or digital mixer
 - Chrome plated brass construction for strength, durability and a high quality finish
 - Push-fit front-of-tile installation
 - Concealed fixings for an elegant finish
 - Fixings included

Chrome
1.1799.005
£66.00

Power showerheads

Suitable for power showers and high pressure systems.



- Mira Response**
- Suitable for power showers and high pressure mixers
 - 4 different spray patterns
 - Rub-clean nozzles for easy cleaning
 - Easy to fit
 - Fits all hoses

White/grey	Chrome/dark grey
1.0.411.82.2	2.1605.181
£36.00	£38.40



- Mira Beat 20cm Deluge Fixed Showerhead**
- The ultimate spa-style showering experience gives you a wide, even water coverage.
 - Works with any shower on any system
 - Single spray deluge showerhead with rub-clean nozzles for easy limescale removal
 - Swivel ball joint for flexible, precise adjustment of spray angle
 - Easy-fit - simply screw on to any standard arm with half inch connection*

Chrome	White/Chrome
1.1799.001	1.1799.002
£90.00	£90.00

*Recommend use with Mira Ceiling or Wall-fed Fixed Showerhead Arm (not included)



- Mira Beat 25cm Deluge Fixed Showerhead**
- The ultimate spa-style showering experience gives you a wide, even water coverage.
 - Works with any shower on any system
 - Single spray deluge showerhead with rub-clean nozzles for easy limescale removal
 - Swivel ball joint for flexible, precise adjustment of spray angle
 - Easy-fit - simply screw on to any standard arm with half inch connection*

Chrome	White/Chrome
1.1799.003	1.1799.004
£102.00	£102.00

*Recommend use with Mira Ceiling or Wall-fed Fixed Showerhead Arm (not included)



- Mira Ceiling-fed Fixed Showerhead Arm**
- The Mira Ceiling-fed Fixed Showerhead Arm is designed to be used in conjunction with the Mira Beat Deluge Fixed Showerhead
 - Works with any built in mixer or digital mixer
 - Chrome plated brass construction for strength, durability and a high quality finish
 - Arm can be cut to length for added flexibility
 - Concealed fixings for an elegant finish
 - Fixings included

Chrome
1.1799.006
£78.00



- Mira Logic**
- Suitable for power showers and high pressure mixers
 - 4 different spray patterns
 - Easily adjustable sprays
 - Easy to fit
 - Rub-clean nozzles for easy cleaning
 - Fits all hoses

White	Chrome
1.1540.268	2.1605.178
£38.40	£44.40



- Mira Magna**
- Suitable for power showers and high pressure mixers
 - 4 different spray patterns
 - Easily adjustable sprays
 - Easy to fit
 - Rub-clean nozzles for easy cleaning
 - Fits all hoses

Satin/chrome
2.1588.077
£67.20

Additional Mira accessories

From soap dishes to shower seats, with Mira you can add whatever you need to create your ideal shower.



- Mira Logic showerhead holder**
- A simple alternative to the traditional slide bar
 - Can make showering easier for children
 - Provides useful additional holder for your showerhead
 - Complete with wall fixings
 - Easy to fit

White	Chrome
2.1605.149	2.1605.150
£12.36	£15.00



- Mira Logic clamp bracket**
- Replacement for Mira Response or Logic clamp brackets
 - Suitable for any 22mm slide bars
 - Easy to fit
 - Rubber grip for easy one-handed operation

White	Chrome
2.1605.127	2.1605.128
£17.88	£23.16



- Mira Logic wall outlet**
- To attach hose to water supply
 - Includes wall fixings
 - Fits all hoses

Chrome
2.1605.199
£17.88



- Mira Logic soap dish**
- Easy to clean
 - Easy to fit
 - Includes wall fixings

White	Chrome
1.1540.278	2.1605.195
£9.72	£12.36



- Mira Response soap dish**
- Easy to clean
 - Easy to fit
 - Includes wall fixings
 - Fits all 18mm and 22mm slide bars

White	Chrome
2.1605.125	2.1605.126
£9.84	£12.72



- Mira shower seat**
- Includes wall fixings
 - Easy to clean
 - Folds away when not in use
 - 150kg/23.5 stone weight limit (must be fitted to a solid wall)

White/white	White/chrome
2.1536.128	2.1536.129
£118.80	£132.00



- Mira Premium shower seat**
- Slim-line design
 - Integrated drainage holes
 - Folds away when not in use
 - 150kg/23.5 stone weight limit (must be fitted to a solid wall)

Grey/chrome	White/chrome
2.1731.002	2.1731.001
£183.60	£183.60



- Mira Response hose**
- Compatible with any shower and water system
 - Easy to fit
 - Metal effect PVC hose
 - Brass conical ends
 - Robust plastic inner
 - Free flowing and easy to clean

Chrome 1.25m	Chrome 1.75m
1.1605.167	1.1605.168
£28.80	£31.20



- Mira Logic hose**
- Works with any shower on any system
 - Easy to fit
 - Double interlocked
 - Strong stainless steel sleeve
 - Brass conical ends
 - Robust plastic inner
 - Free flowing and easy to clean

Chrome 1.25m	Chrome 1.75m
2.1605.166	2.1605.139
£33.60	£36.00



- Mira Beat slide bar**
- Works with any shower on any system
 - Twist and lock clamp bracket
 - Soap dish with integrated hose retaining ring/shower gel hook
 - 680mm slide bar with variable fixing centres for easy replacement of existing fittings
 - All fixings included

Chrome	White/chrome
2.1703.018	2.1703.017
£49.20	£49.20



- Mira Nectar slide bar**
- Works with any shower on any system
 - Twist and lock clamp bracket
 - Soap dish with integrated hose retaining ring/shower gel hook
 - 680mm slide bar with variable fixing centres for easy replacement of existing fittings
 - All fixings included

Chrome	White/chrome
2.1703.008	2.1703.007
£49.20	£49.20



- Response extra long fittings kit**
- Works with any shower on any system
 - 1.5m slidebar
 - Rubberised push button clamp bracket – making height adjustment easy even when wet
 - Gel hook/hose tidy
 - 2.0m easy to clean, strong and durable plastic hose
 - Includes wall fixings

White/chrome
1.0.413.10.2
£58.80

Mira fittings kits

Mira fittings kits come in a range of styles to compliment any bathroom. Slide bar, clamp bracket, hose retaining ring, showerhead and hose all in one box - everything you need to upgrade your shower.



Mira Response

- Works with any shower on any system
- 4 spray patterns with rub-clean nozzles for easy limescale removal
- 1.25m easy to clean, strong and durable plastic hose
- 600mm fixing centres

Chrome	White/chrome
2.1605.156	2.1462.031
£76.80	£76.80



Mira Beat

- Works with any shower on any system
- 4 spray showerhead with rub-clean nozzles for easy limescale removal
- Slidebar with twist and lock clamp bracket
- Soap dish with integrated hose retaining ring/shower gel hook
- 1.25m easy to clean, strong and durable metal hose
- 680mm slide bar with variable fixing centres for easy replacement of existing fittings

Chrome	White/chrome
2.1703.016	2.1703.015
£78.00	£78.00



Mira Nectar

- Works with any shower on any system
- 4 spray showerhead with rub-clean nozzles for easy limescale removal
- Slidebar with twist and lock clamp bracket
- Soap dish with integrated hose retaining ring/shower gel hook
- 1.25m easy to clean, strong and durable metal hose
- 680mm slide bar with variable fixing centres for easy replacement of existing fittings

Chrome	White/chrome
2.1703.006	2.1703.005
£78.00	£78.00



Mira Logic

- Works with any shower on any system
- 4 spray showerhead with rub-clean nozzles for easy limescale removal
- Slidebar with push button clamp bracket
- 1.25m metal hose with brass conical ends
- 600mm fixing centres

Chrome	White
2.1605.154	2.1605.155
£82.80	£82.80



Mira Discovery

- Works with any shower on any system
- 4 spray showerhead with partial rub-clean nozzles
- Slidebar with twist and lock clamp bracket
- 1.25m easy to clean, strong and durable plastic hose
- 600mm fixing centres

Chrome
2.1605.151
£85.20



Mira Eco

- Suitable for mixer showers +0.5 bar (not suitable for electric showers)
- 3 different aerating spray patterns with full rub-clean nozzles for easy cleaning
- Slidebar with push button clamp bracket
- Choice of 1.25m or 1.75m metal hose with brass conical ends
- 600mm fixing centres

Chrome 1.25m	Chrome 1.75m
2.1605.163	2.1605.164
£85.20	£87.60

Mira fittings kits



Mira Everclear

- Suitable for mixer showers +0.2 bar
- 1 simple refreshing spray pattern
- Slidebar with push button clamp bracket
- 1.25m metal hose with brass conical ends
- Prevents limescale build up
- Suitable for electric showers over 9.0kW
- 600mm fixing centres

Chrome

2.1605.152
£85.20



Mira Flex

- Suitable for mixer showers + 0.2 bar and electric showers + 9.0kW
- Mira Everclear single spray limescale fighting showerhead
- Easy-glide, extra long slide bar with friction clamp bracket for easy height adjustment
- Gel hook/hose tidy and soap dish
- 2m hose for increased flexibility
- Includes an extra showerhead holder for additional height positioning
- Includes wall fixings
- 1m slide bar

Chrome

1.1603.125
£136.80



Mira 360 Classic/Mira 360 Magnetic

- Works with any shower on any system
- Mira 360m showerhead (360 Classic), 360i showerhead (360 Magnetic) with Flipstream™ technology
- Slide bar (360 Classic), magnetic slide bar (360 Magnetic)
- Clamp bracket
- 1.25m metal hose with brass conical ends

White/chrome (360 Classic)

1.1688.005
£127.20

Black/chrome (360 Magnetic)

1.1688.006
£141.60

We're here to help

With over 90 years' experience designing showers for every type of customer, we know more than most about what it takes to achieve showering perfection. We're more than happy to share our expertise with you. Which is why you'll find our website packed with useful tips and advice. Visit www.mirashowers.co.uk/contactus

Alternatively, if we can't answer your question there, Mira experts are only a phone call away and happy to help. Please call us on **0844 571 5000**, for information on products, showrooms, engineers or advice.

To download our brochures, and for more inspiration and advice just visit:

www.mirashowers.co.uk

Kohler® family of businesses

We're owned by Kohler Co, one of the world leaders in bathroom design. KOHLER has been setting the standard for innovation, craftsmanship and new technology across the globe since 1873.

Kohler in the UK brings together a number of market-leading bathroom and shower brands, including KOHLER, Mira Showers, and RADA, to bring you an inspiring collection of bathroom sanitaryware, bathroom furniture, taps, showers and shower enclosures.

If you'd like to know more about the range of KOHLER products, please visit www.kohlermira.co.uk

THE BOLD LOOK
OF **KOHLER**®

mira
SHOWERS

rada

Approval Marques



Assesses products for compliance with regulation 4 of the Water Supply (Water Fittings) Regulations 1999.



Developed by the BMA to raise awareness of bathroom products that when installed and used correctly use less water and save energy.



Certifies Type 2 Thermostatic mixing valves for the domestic market to promote the safe use of hot water, with the immediate focus on social housing.



Awarded by the BEAB to products that have been evaluated against the highest European and International standards.



Waterwise is the leading authority on water efficiency in the UK. Every year they award their Marque to products that cut back on wasted water.



Awarded by the BEAB to products that have been additionally tested on performance relating to application in the care sector.



Shows that the product has been endorsed by the Royal National Institute of Blind People (RNIB).



www.mirashowers.co.uk


A **KOHLER** COMPANY

©2014 by Mira
Kohler Mira Ltd.

Customers in the UK & NI should contact:
Cromwell Road, Cheltenham,
Gloucestershire, GL52 5EP, United Kingdom

Brochure Enquiries. 0844 571 0005
Customer Services. 0844 571 5000

Customers in ROI should contact:
Brochure Enquiries. 00 44 844 571 0005
Customer Services. 01 531 9337

 www.mirashoweringperfection.co.uk

 www.facebook.com/mirashowers

 www.twitter.com/mirashowers

 www.pinterest.com/mirashowers

 www.youtube.com/kohlermiraltd

mira
SHOWERS