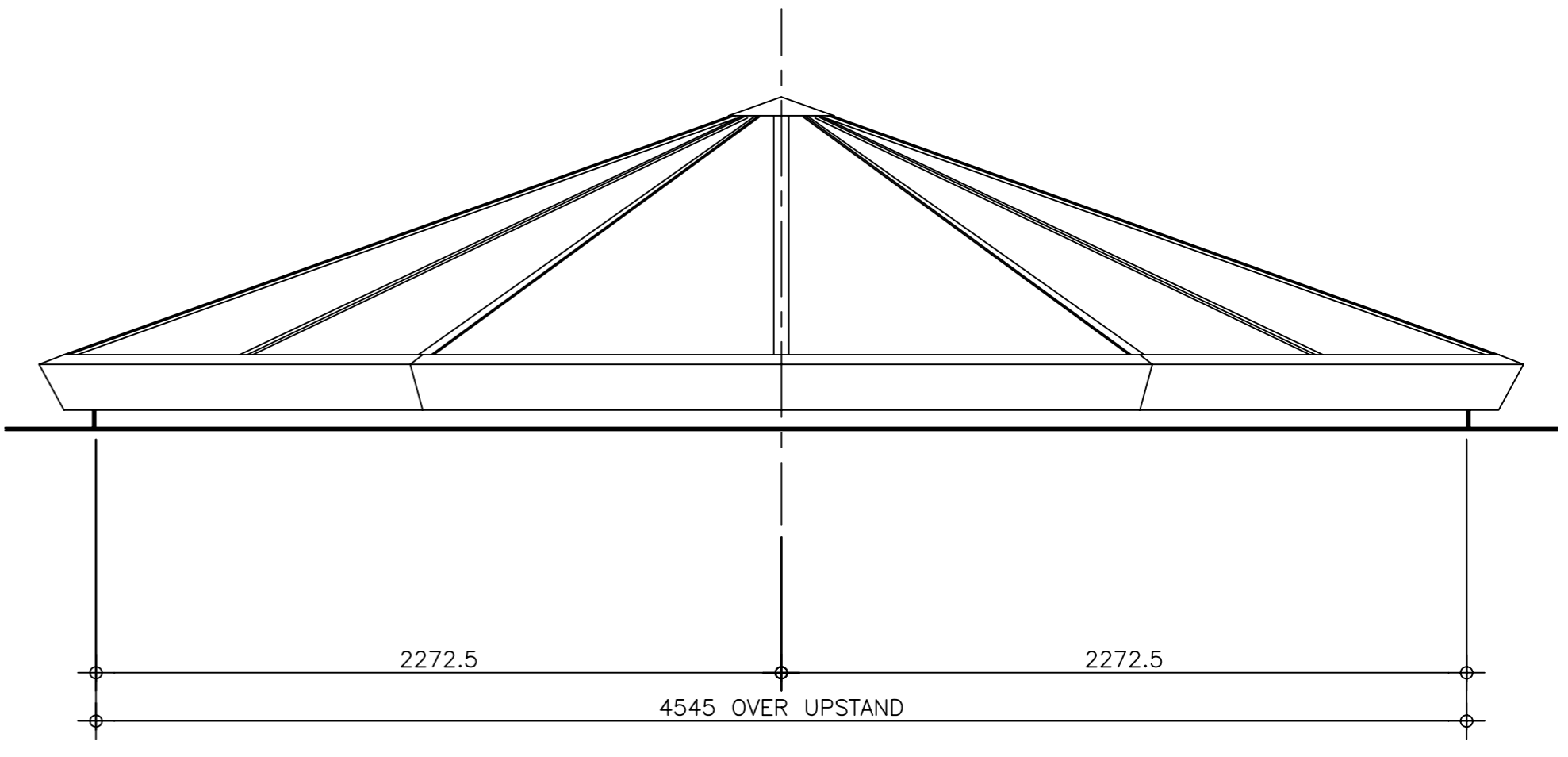
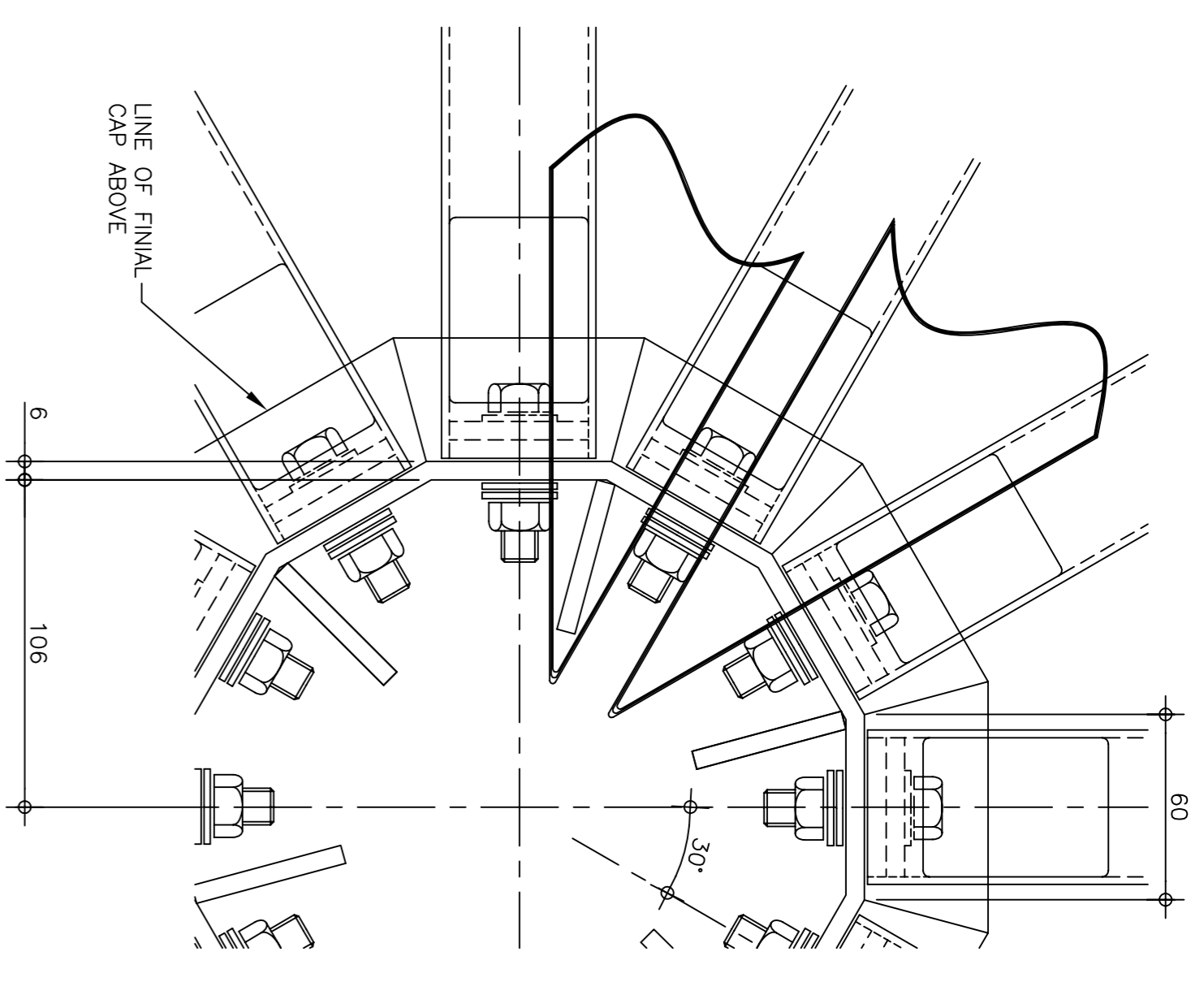


**PLAN ON ROOFLIGHT  
(1 NO. REQUIRED AS SHOWN)**



**ELEVATION ON ROOFLIGHT**

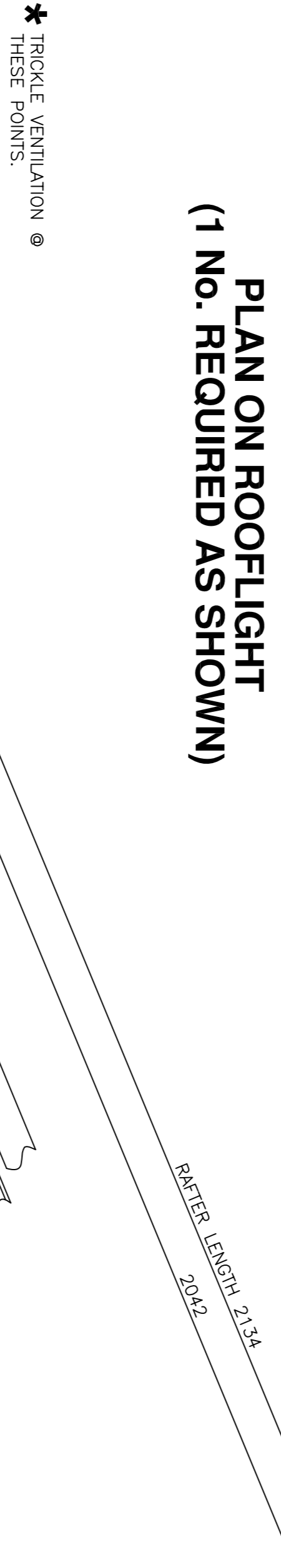


**SECTION B - B**

- 3.5mm GASKET REYNERS REF. 080.9510.04
- 9mm GASKET REYNERS REF. 080.9511.04
- REYNERS SECTION REF. 034.1502
- 83.5 x 50mm

**11.02** / **157.96°** / **11.02**

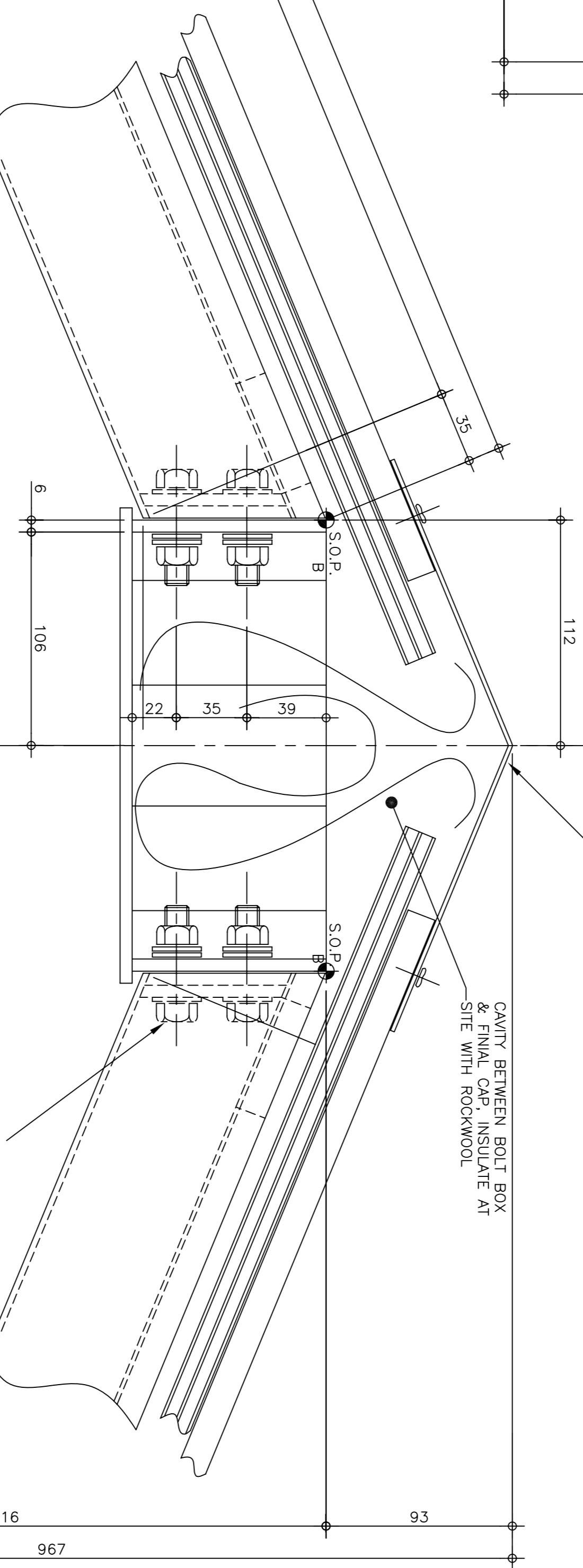
- CAPPING 50 x 17.3 REF. 034.0537
- PRESSURE PLATE REF. 034.1535
- 2mm THK PRESSED ALU FINAL CAP FIX USING CLOSED ALU POP RIVETS. SILICONE SEAL CAPPING JOINTS BEFORE FIXING FINAL CAP
- CAVITY BETWEEN BOLT BOX & FINAL CAP. INSULATE AT SITE WITH ROCKWOOL
- EACH RAFTER FIXED USING 2 NO. HIDDEN M12 PLATED BOLTS COMPLETE WITH LOCK WASHERS ACCESS THROUGH TOP OF RAFTERS



# 100 x 20mm VENTILATION SLOTS @ 6NO. LOCATIONS. INSECT MESH TO SLOTS IN CILL.



**22.5°**



**SECTION A - A**

- \* TRICKLE VENTILATION @ THESE POINTS.
- CONTINUOUS PRESSED ALU CLOSER FLASHING FIX USING CLOSED ALU POP RIVETS
- SELF TAPPING SCREW FIX BETWEEN CILL & STRUCTURE @ 300mm CENTRES
- CONTINUOUS 2mm THK PRESSED ALU CILL BED ON MASTIC SEAL
- DRAINAGE HOLES 10mm Ø AT APPROX 300mm CRTS
- ROOF FINISHES BY OTHERS
- 2 No. M8 3" LONG COACH BOLTS THROUGH EACH RAFTER BASE PLATE
- 100 x 75 CONTINUOUS TIMBER UPSTAND BY OTHERS
- 3686 CLEAR OPENING ACROSS FLATS
- 2000
- 1968
- 125
- 32
- 83
- 57
- S.O.P.

- GLAZING:-**  
16mm CLEAR LONGLUFE TRIPLEWALL POLYCARBONATE
- FINISHES:-**  
ALL VISIBLE ALUMINIUM POLYESTER POWDER COATED:-  
COLOUR - WHITE  
RAL - 9010 SEMI GLOSS