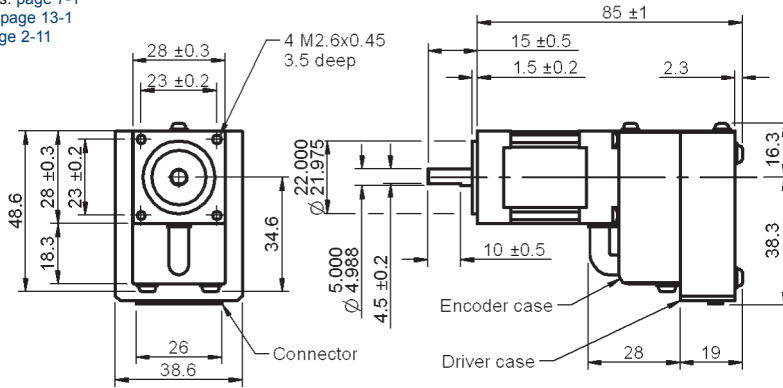




### Associated Products

Couplings: page 8-1  
 Leadscrews: page 7-1  
 Hardware: page 13-1  
 Cables: page 2-11

All dimensions in mm



### RCM1 - P - 11 L 30 - RT3

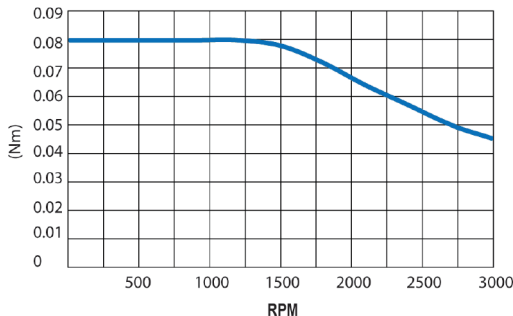
Generation  
 Interface  
 P = Pulse  
 C = Computer  
 Speed  
 30 = 3000 rpm

### Specification table

	RCM1-□-11L30-RT3
Motor output power	18 W
Maximum speed	3,000 rpm
Continuous torque	0.055 Nm
Peak torque	0.078 Nm
Load inertia allowance	180 g-cm <sup>2</sup>
Motor inertia	18 g-cm <sup>2</sup>
Input supply current rated (Continuous torque/rated peak torque)	1.2 A/1.5 A
Weight	300 g

### Torque curve

RCM1-□-11L30-RT3



### Technical support

- Product overview - see page 2-2
- Technical information - see page T2-1
- P & C interface - see page T2-2
- Software interface - see page T2-3
- Electrical interface - see page T2-5
- Cables - see page 2-11
- Accessories - see page 2-12

Contact us for product information, design support and custom solutions

sales@reliance.co.uk +44 (0) 1484 601002 www.reliance.co.uk