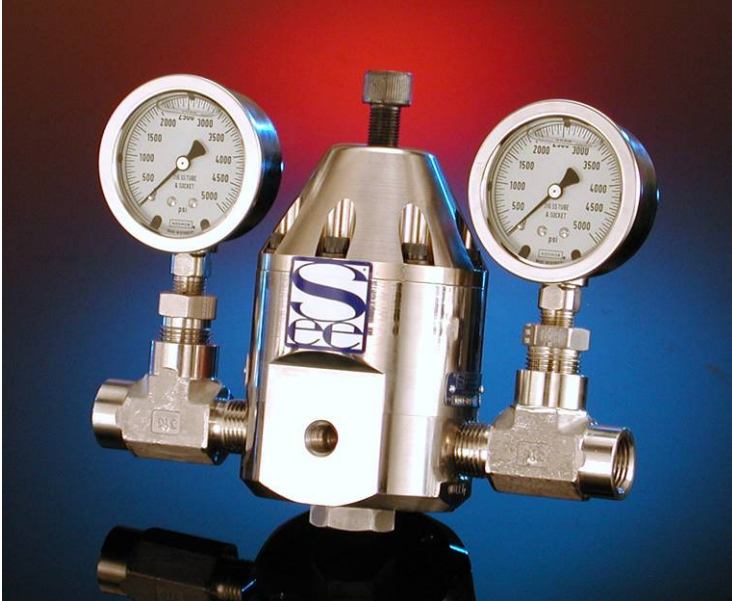


Material Pressure Regulator



- REGULATES MATERIAL PRESSURE SURGES
- NON-SEALING WETTED COMPONENTS STAINLESS STEEL & TUNGSTEN
- MAX INLET PRESSURE 4,000 PSI
- ½" NPTF INLET & OUTLET MATERIAL PORTS

Engineered for continuous, repetitive operations, the all new **1209-623-002** material pressure regulator presents a broad range of features all designed to deliver optimum material flow while precisely controlling the pressure.

Designed to minimize material pressure surges, often due to pump change-over, the regulator will accept inlet material pressures up to 4,000 PSI and regulate material down stream pressure from 50 to 500 psi (depending on viscosity).

The regulator, and its wetted components, are constructed of stainless steel and tungsten carbide - making it compatible with most adhesive and sealant materials.

The 1209-623's flow-through design significantly reduces pressure fluctuations when switching from a dynamic to static state (flow vs. no flow). The 1209-623 regulator is configured for immediate, responsive action to minimize any fluid pressure changes.

The larger inlet and outlet porting (½" n.p.t.f.) helps to insure greater throughput of materials with minimal pressure fluctuation.

Sealant Equipment's unique quick service seat assembly minimizes any related downtime. The regulator includes four holes for convenient mounting and two pressure gauge ports to monitor material inlet and outlet pressures.

45677 Helm Street • P.O. Box 701460 • Plymouth, MI 48170 • USA

Phone: (734) 459-8600 • Fax: (734) 459-8686

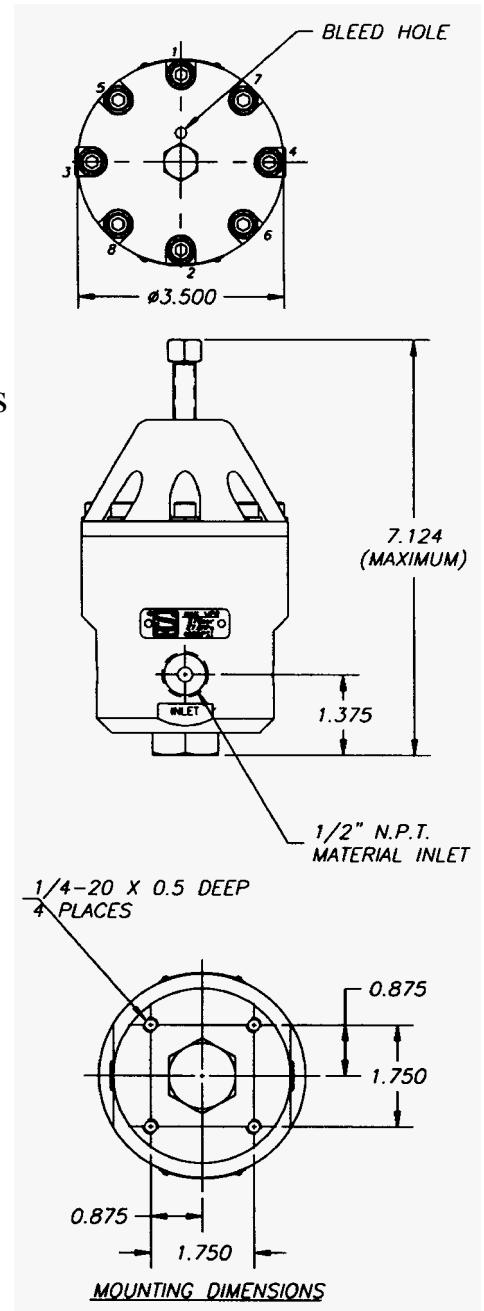
Email: Sales@SealantEquipment.com • www.SealantEquipment.com

Specifications

| | |
|-------------------------------------|--|
| Inlet: | 1/2" NPTF |
| Outlet: | 1/2" NPTF |
| Weight: | 9 3/4 pounds |
| Overall Height: | 7.124" |
| Gauge/purge port: | Two - 1/4 NPTF ports one on each side |
| Mounting: | Four - 1/4-20 tapped holes On bottom of regulator |
| Ball size: | 0.3125" diameter |
| Maximum Material Inlet Pressure: | 4,000 PSI |
| Outlet Material Pressure Range: | 50 – 500 PSI |
| Flow Rate: | 0.16 GPM @ 100 PSI 0.415GPM @ 500 PSI |
| Non-Sealing Wetted components: | Stainless steel and tungsten carbide |
| Outlet Pressure Adjustment: | Manual |

Accessories:

Service Kit: 2150-328



Form 623-0411 Rev 3



Manufacturers of Precision Dispense Systems & Valves

45677 Helm Street • P.O. Box 701460
 Plymouth, MI 48170 • USA
 Phone: (734) 459-8600
 Fax: (734) 459-8686
 Web: www.SealantEquipment.com
 Email: Sales@SealantEquipment.com